

## Foreword

---

**Congratulations on choosing a SUBARU vehicle. This Owner's Manual has all the information necessary to keep your SUBARU in excellent condition and to properly maintain the emission control system for minimizing emission pollutants. We urge you to read this manual carefully so that you may understand your vehicle and its operation. For information not found in this Owner's Manual, such as details concerning repairs or adjustments, please contact the SUBARU dealer from whom you purchased your SUBARU or the nearest SUBARU dealer.**

**The information, specifications and illustrations found in this manual are those in effect at the time of printing. SUBARU CORPORATION reserves the right to change specifications and designs at any time without prior notice and without incurring any obligation to make the same or similar changes on vehicles previously sold. This Owner's Manual applies to all models and covers all equipment, including factory installed options. Some explanations, therefore may be for equipment not installed in your vehicle.**

**Please leave this manual in the vehicle at the time of resale. The next owner will need the information found herein.**

**SUBARU CORPORATION, TOKYO, JAPAN**

"SUBARU" and the six-star cluster design are registered trademarks of SUBARU CORPORATION.

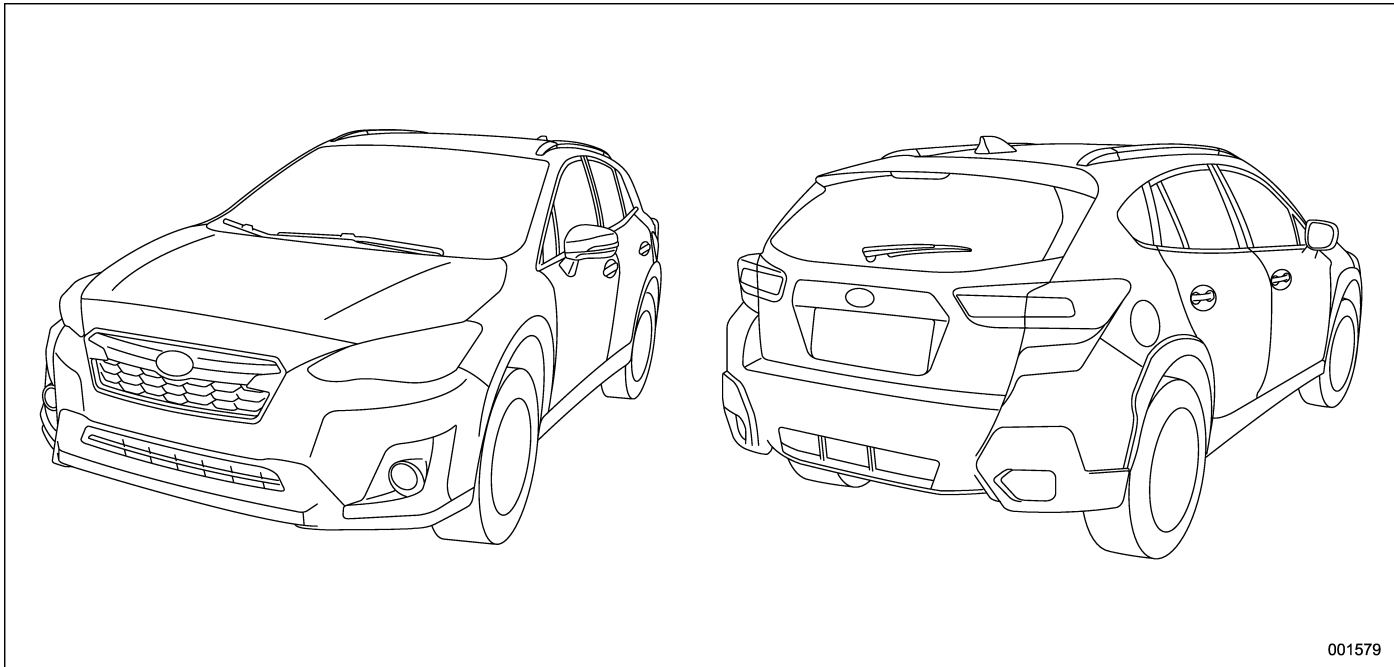
© Copyright 2018 SUBARU CORPORATION



## Vehicle types

---

This manual describes the following vehicle type.



001579



## Warranties

---

### ■ Warranties for U.S.A.

SUBARU vehicles distributed by Subaru of America, Inc. and sold at retail by an authorized SUBARU dealer in the United States come with the following warranties:

- **SUBARU Limited Warranties**
- **Federal Emission Control Systems Warranties**
- **California Emissions Control Systems Warranties**

All warranty information, including applicability, details of coverage and exclusions, is in the "Warranty and Maintenance Booklet". Read these warranties carefully.

## How to use this Owner's Manual

---

### ■ Using your Owner's Manual

Before you operate your vehicle, carefully read this manual. To protect yourself and extend the service life of your vehicle, follow the instructions in this manual. Failure to observe these instructions may result in serious injury and damage to your vehicle.

This manual is composed of fourteen chapters. Each chapter begins with a brief table of contents, so you can usually tell at a glance if that chapter contains the information you want.

#### **Chapter HS: Hybrid system**

This chapter explains the characteristics of the hybrid system.

#### **Chapter 1: Seat, seatbelt and SRS airbags**

This chapter informs you how to use the seat and seatbelt and contains precautions for the SRS airbags.

#### **Chapter 2: Keys and doors**

This chapter informs you how to operate the keys, locks and windows.

#### **Chapter 3: Instruments and controls**

This chapter informs you about the operation of instrument panel indicators and how to use the instruments and other switches.

#### **Chapter 4: Climate control**

This chapter informs you how to operate the climate control.

#### **Chapter 5: Audio**

This chapter informs you about your audio system.

#### **Chapter 6: Interior equipment**

This chapter informs you how to operate interior equipment.

#### **Chapter 7: Starting and operating**

This chapter informs you how to start and operate your SUBARU.

#### **Chapter 8: Driving tips**

This chapter informs you how to drive your SUBARU in various conditions and explains some safety tips on driving.

#### **Chapter 9: In case of emergency**

This chapter informs you what to do if you have a problem, such as a flat tire or engine overheating.

#### **Chapter 10: Appearance care**

This chapter informs you how to keep your SUBARU looking good.

### Chapter 11: Maintenance and service

This chapter informs you when you need to take your SUBARU to the dealer for scheduled maintenance and informs you how to keep your SUBARU running properly.

### Chapter 12: Specifications

This chapter informs you about dimensions and capacities of your SUBARU.

### Chapter 13: Consumer information and Reporting safety defects

This chapter informs you about Uniform tire quality grading standards and Reporting safety defects.

### Chapter 14: Index

This is an alphabetical listing of all that's in this manual. You can use it to quickly find something you want to read.

For details about the EyeSight system, refer to the Owner's Manual supplement for the EyeSight system.

## ■ Safety warnings

You will find a number of WARNINGS, CAUTIONS and NOTES in this manual.

These safety warnings alert you to potential hazards that could result in injury to you or others.

Please read these safety warnings as well as all other portions of this manual carefully in order to gain a better understanding of how to use your SUBARU vehicle safely.



### WARNING

**A WARNING indicates a situation in which serious injury or death could result if the warning is ignored.**



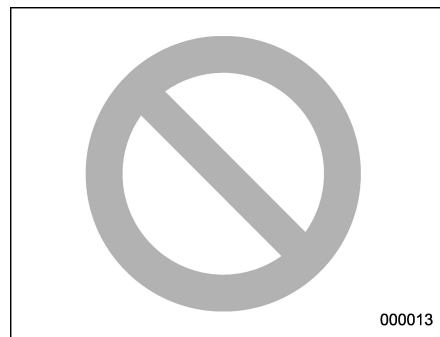
### CAUTION

**A CAUTION indicates a situation in which injury or damage to your vehicle, or both, could result if the caution is ignored.**

## NOTE

**A NOTE gives information or suggestions how to make better use of your vehicle.**

## ■ Safety symbol



000013

You will find a circle with a slash through it in this manual. This symbol means “Do not”, “Do not do this”, or “Do not let this happen”, depending upon the context.

## ■ Abbreviation list

You may find several abbreviations in this manual. The meanings of the abbreviations are shown in the following list.







Abbreviation	Meaning
ABS	Anti-lock brake system
A/C	Air conditioner
AKI	Anti knock index
ALR	Automatic locking retractor
ALR/ELR	Automatic locking retractor/ Emergency locking retractor
AWD	All-wheel drive
BSD/RCTA	Blind Spot Detection/Rear Cross Traffic Alert
CVT	Continuously variable transmission
DRL	Daytime running light
EBD	Electronic brake force distribution
ELR	Emergency locking retractor
EV	Electric Vehicle
GAW	Gross axle weight
GAWR	Gross axle weight rating
GPS	Global positioning system
GVW	Gross vehicle weight
GVWR	Gross vehicle weight rating
INT	Intermittent

Abbreviation	Meaning
LATCH	Lower anchors and tethers for children
LED	Light emitting diode
MIL	Malfunction indicator light
MMT	Methylcyclopentadienyl manganese tricarbonyl
OBD	On-board diagnostics
RAB	Reverse Automatic Braking
RON	Research octane number
SI-DRIVE	SUBARU Intelligent Drive
SRH	Steering Responsive Headlight
SRS	Supplemental restraint system
TIN	Tire identification number
TPMS	Tire pressure monitoring system

## Vehicle symbols

These are some of the symbols you may see on your vehicle.

For warning and indicator lights, refer to “Warning and indicator lights” P18.

Mark	Name
	WARNING
	CAUTION
	Read these instructions carefully
	Wear eye protection
	Battery fluid contains sulfuric acid
	Keep children away
	Keep flames away
	Prevent explosions

## Safety precautions when driving

### ■ Seatbelt and SRS airbag

#### WARNING

- All persons in the vehicle must fasten their seatbelts **BEFORE** the vehicle starts to move. Otherwise, the possibility of serious injury becomes greater in the event of a sudden stop or accident.
- To obtain maximum protection in the event of an accident, the driver and all passengers must always wear seatbelts when in the vehicle. The SRS (Supplemental Restraint System) airbag does not do away with the need to fasten seatbelts. In combination with the seatbelts, it offers the best combined protection in case of a serious accident.

Not wearing a seatbelt increases the chance of severe injury or death in a crash even when the vehicle has the SRS airbag.

- The SRS airbags deploy with considerable speed and force.

Occupants who are out of proper position when the SRS airbag deploys could suffer very serious injuries. Because the SRS airbag needs enough space for deployment, the driver should always sit upright and well back in the seat as far from the steering wheel as practical while still maintaining full vehicle control and the front passenger should move the seat as far back as possible and sit upright and well back in the seat.

For instructions and precautions, carefully read the following sections.

- For the seatbelt system, refer to “Seatbelts” ☞P79.
- For the SRS airbag system, refer to “SRS airbag (Supplemental Restraint System airbag)” ☞P106.

### ■ Child safety

#### WARNING

- Never hold a child on your lap or in your arms while the vehicle is moving. The passenger cannot protect the child from injury in a collision, because the child will be caught between the passen-

ger and objects inside the vehicle.

- While riding in the vehicle, infants and small children should always be seated in the REAR seat in an infant or child restraint system which is appropriate for the child’s age, height and weight. If a child is too big for a child restraint system, the child should sit in the REAR seat and be restrained using the seatbelts. According to accident statistics, children are safer when properly restrained in the rear seating positions than in the front seating positions. Never allow a child to stand up or kneel on the seat.
- Place children in the REAR seat properly restrained at all times in a child restraint device or in a seatbelt. The SRS airbag deploys with considerable speed and force and can injure or even kill children, especially if they are not restrained or improperly restrained. Because children are lighter and weaker than adults, their risk of being injured from deployment is greater.
- **NEVER INSTALL A CHILD SEAT IN THE FRONT SEAT. DOING SO**



### **RISKS SERIOUS INJURY OR DEATH TO THE CHILD BY PLACING THE CHILD'S HEAD TOO CLOSE TO THE SRS AIRBAG.**

- Always turn the child safety locks to the "LOCK" position when children sit in the rear seat. Serious injury could result if a child accidentally opens the door and falls out. Refer to "Child safety locks" ⓄP166.
- Always lock the passenger's windows using the lock switch when children are riding in the vehicle. Failure to follow this procedure could result in injury to a child operating the power window. Refer to "Windows" ⓄP166.
- Never leave unattended children, adults or animals in the vehicle. They could accidentally injure themselves or others through inadvertent operation of the vehicle. Also, on hot or sunny days, temperature in a closed vehicle could quickly become high enough to cause severe or possibly fatal injuries to them.
- When leaving the vehicle, close all windows and lock all doors.

For instructions and precautions, carefully read the following sections.

- For the seatbelt system, refer to "Seatbelts" ⓄP79.
- For the child restraint system, refer to "Child restraint systems" ⓄP92.
- For the SRS airbag system, refer to "SRS airbag (Supplemental Restraint System airbag)" ⓄP106.

### **■ Engine exhaust gas (carbon monoxide)**



#### **WARNING**

- Never inhale engine exhaust gas. Engine exhaust gas contains carbon monoxide, a colorless and odorless gas which is dangerous, or even lethal, if inhaled.
- Always properly maintain the engine exhaust system to prevent engine exhaust gas from entering the vehicle.
- Never run the engine in a closed space, such as a garage, except for the brief time needed to drive the vehicle in or out of it.
- Avoid remaining in a parked vehicle for a lengthy time while the engine is running. If that is un-

avoidable, then use the ventilation fan to force fresh air into the vehicle.

- Always keep the front ventilator inlet grille free from snow, leaves or other obstructions to ensure that the ventilation system always works properly.
- If at any time you suspect that exhaust fumes are entering the vehicle, have the problem checked and corrected as soon as possible. If you must drive under these conditions, drive only with all windows fully open.
- Keep the rear gate closed while driving to prevent exhaust gas from entering the vehicle.

### **■ Drinking and driving**



#### **WARNING**

Drinking and then driving is very dangerous. Alcohol in the bloodstream delays your reaction time and impairs your perception, judgment and attentiveness. If you drive after drinking – even if you drink just a little – it will increase the risk of being involved in a serious or fatal

**accident, injuring or killing yourself, your passengers and others. In addition, if you are injured in the accident, alcohol may increase the severity of that injury.**

**Please don't drink and drive.**

Drunken driving is one of the most frequent causes of accidents. Since alcohol affects all people differently, you may have consumed too much alcohol to drive safely even if the level of alcohol in your blood is below the legal limit. The safest thing you can do is never drink and drive. However if you have no choice but to drive, stop drinking and sober up completely before getting behind the wheel.

## ■ Drugs and driving

### WARNING

There are some drugs (over the counter and prescription) that can delay your reaction time and impair your perception, judgment and attentiveness. If you drive after taking them, it may increase your, your passengers' and other persons' risk of being involved in a serious or fatal accident.

If you are taking any drugs, check with your doctor or pharmacist or read the literature that accompanies the medication to determine if the drug you are taking can impair your driving ability. Do not drive after taking any medications that can make you drowsy or otherwise affect your ability to safely operate a motor vehicle. If you have a medical condition that requires you to take drugs, please consult with your doctor.

Never drive if you are under the influence of any illicit mind-altering drugs. For your own health and well-being, we urge you not to take illegal drugs in the first place and to seek treatment if you are addicted to those drugs.

## ■ Driving when tired or sleepy

### WARNING

When you are tired or sleepy, your reaction time will be delayed and your perception, judgment and attentiveness will be impaired. If you drive when tired or sleepy, your, your passengers' and other persons' chances of being involved in a serious accident may increase.

Please do not continue to drive but instead find a safe place to rest if you are tired or sleepy. On long trips, you should make periodic rest stops to refresh yourself before continuing on your journey. When possible, you should share the driving with others.

## ■ Modification of your vehicle

### CAUTION

Your vehicle should not be modified other than with genuine SUBARU parts and accessories. Other types of modifications could affect its performance, safety or durability, and may even violate governmental regulations. In addition, damage or performance problems resulting from modification may not be covered under warranties.

## ■ Use of cell phones/texting and driving

### CAUTION

Do not talk on a cell phone or text while driving; it may distract your attention from driving and lead to an

accident. If you use a cell phone to talk or text, first pull off the road and park in a safe place. In some States/Provinces, it may be lawful to talk on a phone while driving, but only if the phone is hands-free.

### ■ Driving vehicles equipped with navigation system

#### WARNING

Do not allow the monitor to distract your attention from driving. Also, do not operate the controls of the navigation system while driving. The loss of attention to driving could lead to an accident. If you wish to operate the controls of the navigation system, first take the vehicle off the road and stop it in a safe location.


### ■ Driving with pets

Unrestrained pets can interfere with your driving and distract your attention from driving. In a collision or sudden stop, unrestrained pets or cages can be thrown around inside the vehicle and hurt you or your passengers. Besides, the pets can be

hurt under these situations. It is also for their own safety that pets should be properly restrained in your vehicle. Restrain a pet with a special traveling harness which can be secured to the rear seat with a seatbelt or use a pet carrier which can be secured to the rear seat by routing a seatbelt through the carrier's handle. Never restrain pets or pet carriers in the front passenger's seat. For further information, consult your veterinarian, local animal protection society or pet shop.

### ■ Tire pressures

Check and, if necessary, adjust the pressure of each tire at least once a month and before any long journey.

Check the tire pressure when the tires are cold. Use a pressure gauge to adjust the tire pressures to the values shown on the tire placard. For detailed information, refer to "Tires and wheels"  P416.

#### WARNING

**Driving at high speeds with excessively low tire pressures can cause the tires to deform severely and to rapidly become hot. A sharp increase in temperature could cause tread**

**separation, and destruction of the tires. The resulting loss of vehicle control could lead to an accident.**

### ■ Attaching accessories

#### WARNING

- Do not attach any accessories, labels or stickers (other than properly placed inspection stickers) to the windshield. Such items may obstruct your view.
- If it is necessary to attach an accessory (such as an electronic toll collection (ETC) device or security pass) to the windshield, consult your SUBARU dealer for details on the proper location.

## General information

### ■ California Perchlorate Advisory

Certain vehicle components such as air-bag modules, seatbelt pretensioners and keyless entry transmitter batteries may contain perchlorate material. Special handling may apply for service or vehicle end of life disposal. See [www.dtsc.ca.gov/hazardouswaste/perchlorate](http://www.dtsc.ca.gov/hazardouswaste/perchlorate).

### ■ Noise from under the vehicle

#### NOTE

**You may hear a noise from under the vehicle approximately 5 to 10 hours after the ignition switch is turned to the "OFF" position. However, this does not indicate a malfunction. This noise is caused by the operation of the fuel evaporation leakage checking system and the operation is normal. The noise will stop after approximately 15 minutes.**

### ■ Event data recorder

This vehicle is equipped with an event data recorder (EDR). The main purpose of an EDR is to record, in certain crash or near crash-like situations, such as an air bag deployment or hitting a road obstacle, data that will assist in understanding how a vehicle's systems performed. The EDR is designed to record data related to vehicle dynamics and safety systems for a short period of time, typically 30 seconds or less. The EDR in this vehicle is designed to record such data as:

- How various systems in your vehicle were operating;
- Whether or not the driver and passenger safety belts were buckled/fastened;
- How far (if at all) the driver was depressing the accelerator and/or brake pedal; and,
- How fast the vehicle was traveling.

These data can help provide a better understanding of the circumstances in which crashes and injuries occur. NOTE: EDR data are recorded by your vehicle only if a non-trivial crash situation occurs; no data are recorded by the EDR under normal driving conditions and no personal data (e.g., name, gender, age, and crash location) are recorded. However, other parties, such as law enforcement, could

combine the EDR data with the type of personally identifying data routinely acquired during a crash investigation.

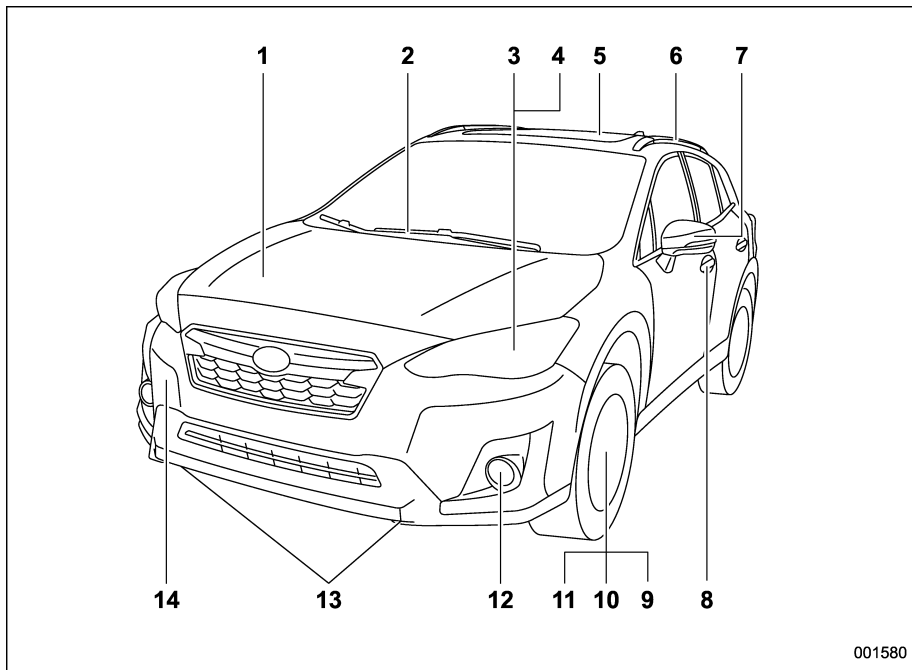
To read data recorded by an EDR, special equipment is required, and access to the vehicle or the EDR is needed. In addition to the vehicle manufacturer, other parties, such as law enforcement, that have the special equipment, can read the information if they have access to the vehicle or the EDR.

## Table of contents

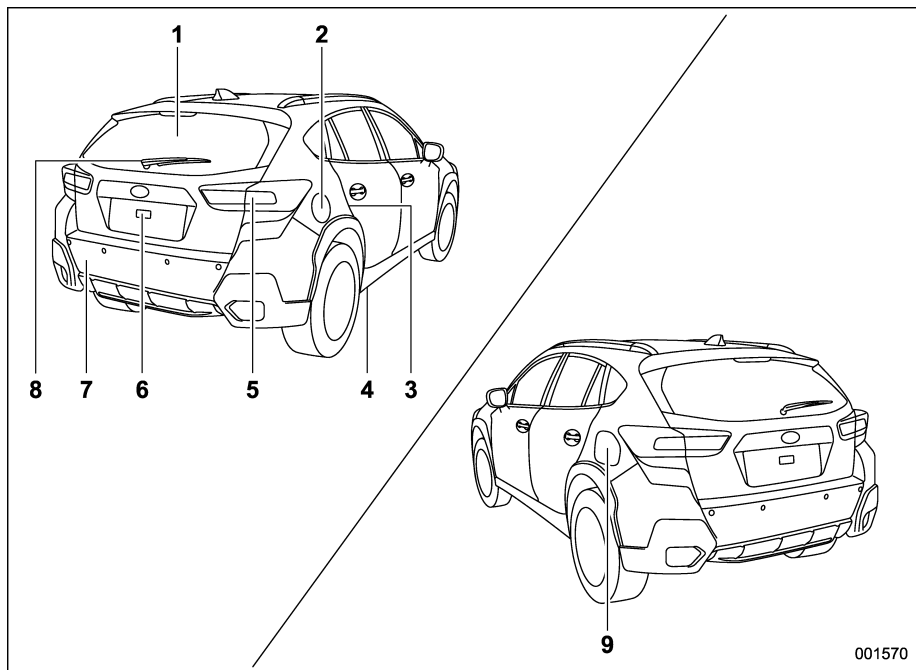
<i>Hybrid system</i>	<b>HS</b>
<i>Seat, seatbelt and SRS airbags</i>	<b>1</b>
<i>Keys and doors</i>	<b>2</b>
<i>Instruments and controls</i>	<b>3</b>
<i>Climate control</i>	<b>4</b>
<i>Audio</i>	<b>5</b>
<i>Interior equipment</i>	<b>6</b>
<i>Starting and operating</i>	<b>7</b>
<i>Driving tips</i>	<b>8</b>
<i>In case of emergency</i>	<b>9</b>
<i>Appearance care</i>	<b>10</b>
<i>Maintenance and service</i>	<b>11</b>
<i>Specifications</i>	<b>12</b>
<i>Consumer information and Reporting safety defects</i>	<b>13</b>
<i>Index</i>	<b>14</b>

## Illustrated index

### ■ Exterior



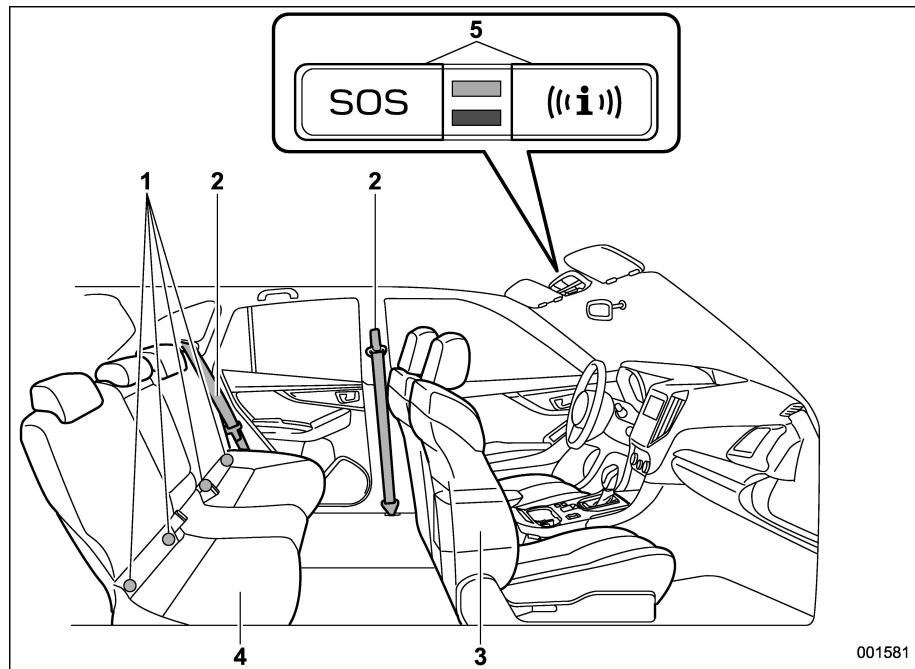
- 1) Engine hood (page 403)
- 2) Windshield wipers (page 241)
- 3) Headlights (page 231)
- 4) Replacing bulbs (page 432)
- 5) Moonroof (page 170)
- 6) Roof rails (page 348)
- 7) Outside mirrors (page 243)
- 8) Door locks (page 160)
- 9) Tire pressure (page 418)
- 10) Flat tires (page 366)
- 11) Snow tires (page 344)
- 12) Fog lights (page 238)
- 13) Tie-down hooks (page 380)
- 14) Towing hook (page 380)



- 1) Rear window defogger (page 244)
- 2) Fuel filler door and cap (page 282)
- 3) Child safety locks (page 166)
- 4) Tie-down hole (page 380)
- 5) Replacing bulbs (page 432)
- 6) Rear gate (page 169)
- 7) Towing hook (page 380)
- 8) Rear window wiper (page 242)
- 9) Charge port door (page 43)

## ■ Interior

### ▼ Passenger compartment area

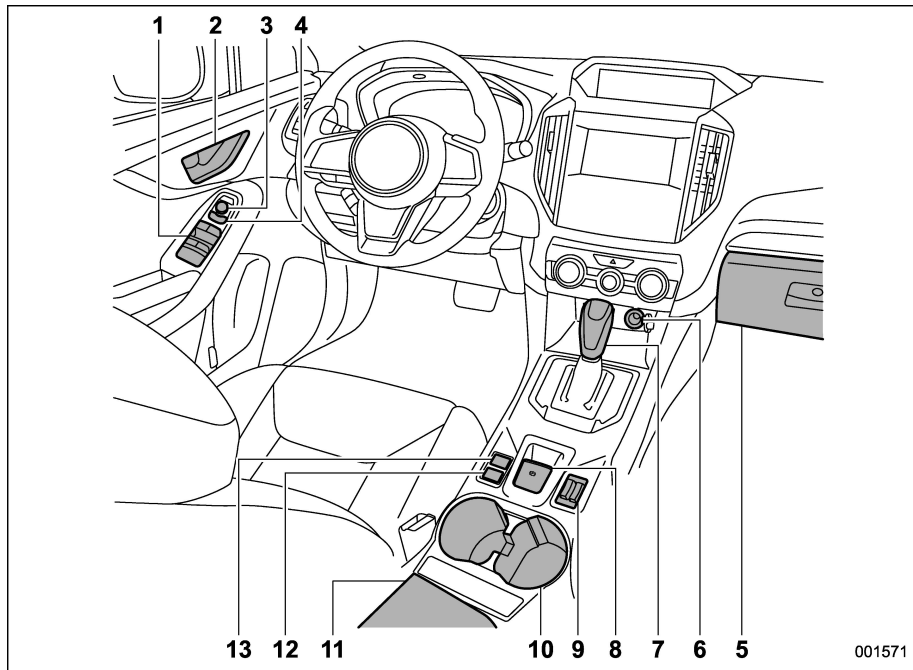


- 1) Lower anchorages for child restraint system (page 101)
- 2) Seatbelts (page 79)
- 3) Front seats (page 70)
- 4) Rear seats (page 70)
- 5) Buttons for SUBARU STARLINK

### NOTE

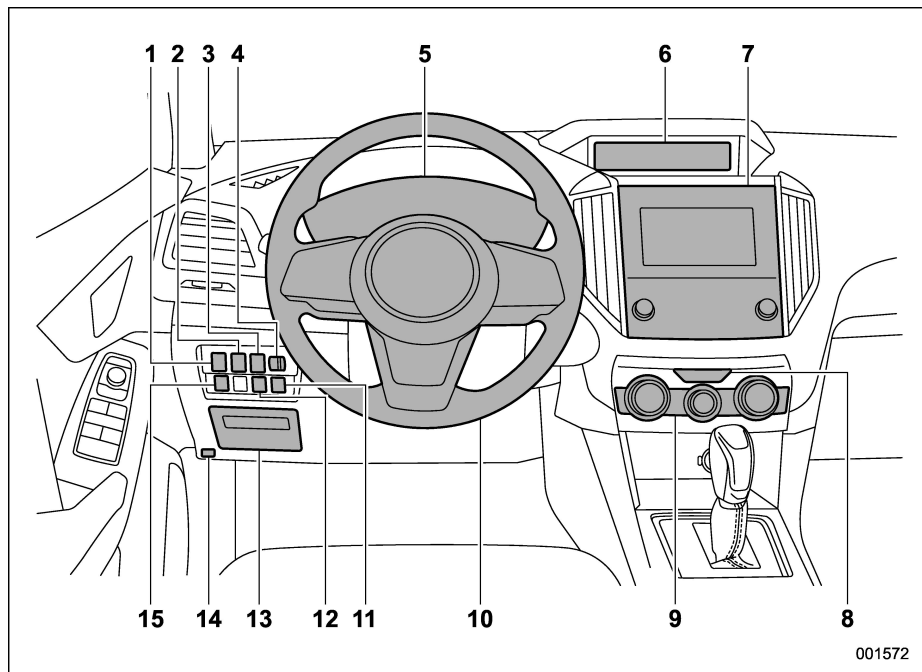
For U.S.-spec. models with SUBARU STARLINK: Refer to the Owner's Manual supplement for SUBARU STARLINK Safety and Security.





- 1) Power windows (page 166)
- 2) Door locks (page 160)
- 3) Remote control mirror switch (page 243)
- 4) Power door locking switch (page 161)
- 5) Glove box (page 267)
- 6) Front power supply socket (page 269)
- 7) Select lever (page 292)
- 8) Electronic parking brake switch (page 310)
- 9) Seat heater switches (page 78)
- 10) Cup holder (page 267)
- 11) Center console (page 267)
- 12) X-MODE switch (page 306)
- 13) Hybrid Mode switch (page 29)

## ■ Instrument panel



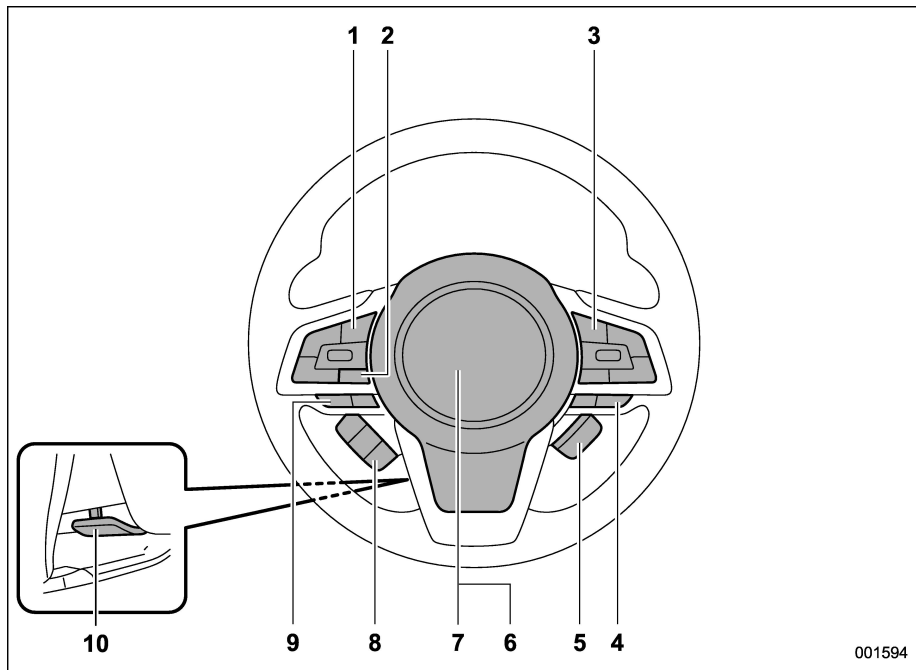
- 1) Steering Responsive Headlight off switch (page 237)
- 2) Timer charging setting switch (page 58)
- 3) Fuel door release switch (page 282)
- 4) Illumination brightness control (page 180)
- 5) Combination meter (page 177)
- 6) Multi-function display (color LCD) (page 209)
- 7) Audio\*
- 8) Hazard warning flasher switch (page 177)
- 9) Climate control (page 250)
- 10) Tilt/Telescopic steering (page 245)
- 11) Hill holder switch (page 313)
- 12) BSD/RCTA OFF switch (page 321)
- 13) Fuse box (page 430)
- 14) Hood release knob (page 403)
- 15) Vehicle Dynamics Control OFF switch (page 304)

\*: For details about how to use the audio and navigation system (if equipped), refer to the separate navigation/audio Owner's Manual.

### NOTE

**For models with the EyeSight system: Refer to the Owner's Manual supplement for the EyeSight system.**

001572



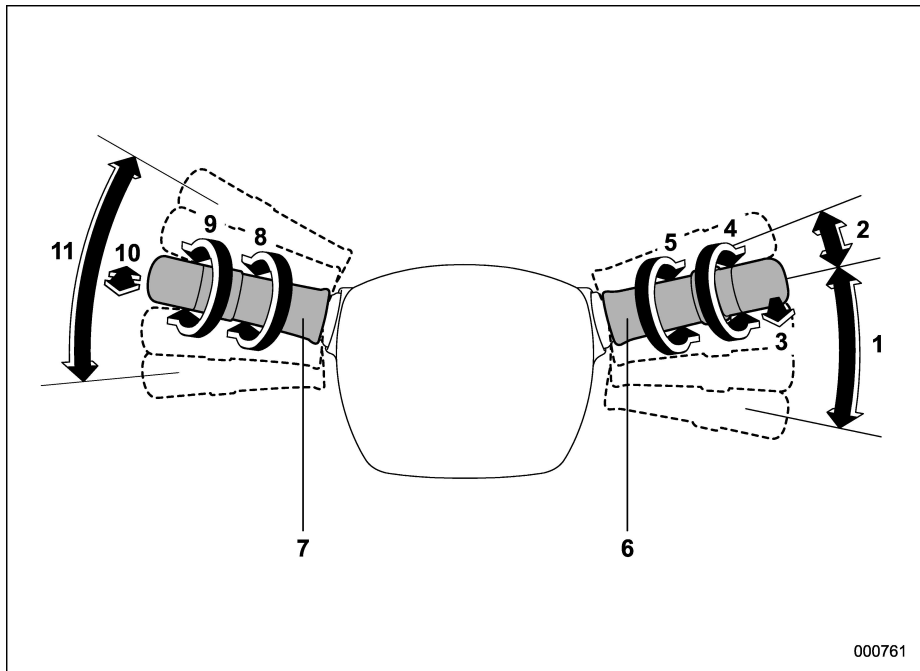
- 1) Audio control switches\*1
- 2) INFO button (page 211)
- 3) Cruise control\*2
- 4) SI-DRIVE switches (page 296)
- 5) Heated steering wheel switch (page 246)
- 6) SRS airbag (page 106)
- 7) Horn (page 247)
- 8) Control switches for combination meter display (color LCD) (page 202)
- 9) Hands-free phone switches\*1
- 10) Tilt/telescopic lock lever (page 245)

\*1: For details about how to use the switches, refer to the separate navigation/audio Owner's Manual.

\*2: For details about how to use the cruise control, refer to the Owner's Manual supplement for the EyeSight system.

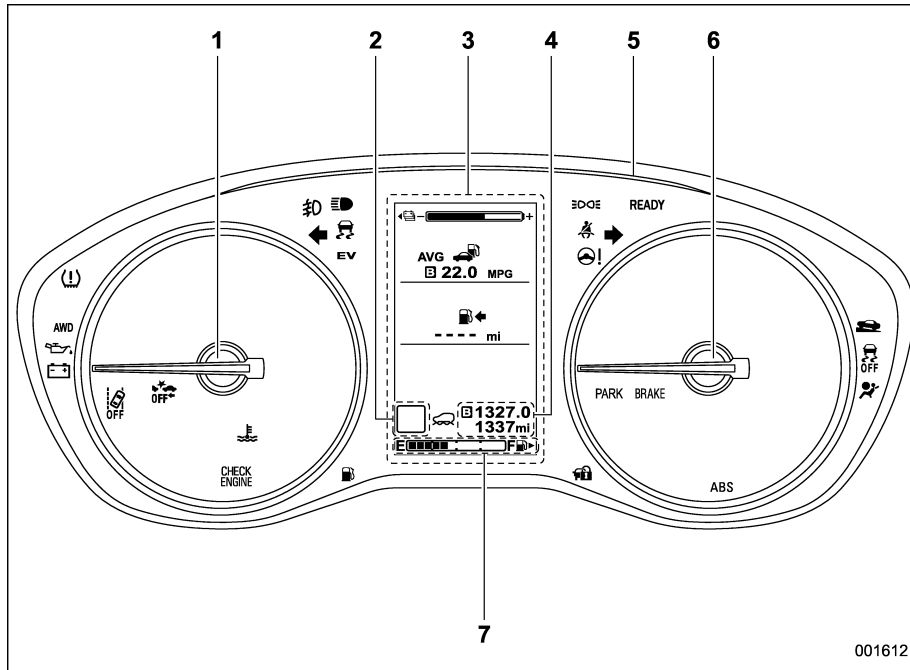
001594

## ■ Light control and wiper control levers/switches



- 1) Windshield wiper (page 239)
- 2) Mist (page 241)
- 3) Windshield washer (page 241)
- 4) Rear window wiper and washer switch (page 242)
- 5) Wiper control lever (page 239)
- 6) Windshield wiper and washer switches (page 241)
- 7) Light control switch (page 231)
- 8) Fog light switch (page 238)
- 9) Headlight ON/OFF/AUTO (page 231)
- 10) Headlight flasher High/Low beam change (page 233)
- 11) Turn signal lever (page 239)








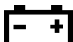


## ■ Combination meter























- 1) Power meter (page 177)
- 2) Select lever/position indicator (page 200)
- 3) Combination meter display (color LCD) (page 202)
- 4) Trip meter and odometer (page 178)
- 5) Driver Assist indicator (page 180)
- 6) Speedometer (page 177)
- 7) Fuel gauge (page 179)








The illustration above is a typical example. For some models, the combination meter may be slightly different than that shown in the illustration.






## ■ Warning and indicator lights

Mark	Name	Page
	Seatbelt warning light	182
	Front passenger's seatbelt warning light	182
	SRS airbag system warning light	183
	Front passenger's frontal airbag ON indicator	183
	Front passenger's frontal airbag OFF indicator	183
	CHECK ENGINE warning light/Mal-function indicator light	184
	Coolant temperature high warning light	185
	Charge warning light	186
	Oil pressure warning light	186
	Engine low oil level warning light	187

Mark	Name	Page
	ABS warning light	188
	Brake system warning light	189
	Electronic parking brake indicator light	190
	Door open warning light	192
	AWD warning light	192
	Power steering warning light	192
	Hill Holder indicator light	192
	Vehicle Dynamics Control warning light/ Vehicle Dynamics Control operation indicator light	193
	Vehicle Dynamics Control OFF indicator light	194
	Turn signal indicator lights	200

Mark	Name	Page
	High beam indicator light	200
	High beam assist indicator light	200
	Automatic headlight beam leveler warning light	200
	LED headlight warning light	200
	Steering Responsive Headlight warning light/Steering Responsive Headlight OFF indicator light	200
	Front fog light indicator light	200
	Access key warning indicator	194
	Security indicator light	199
	Headlight indicator light	200
	X-MODE indicator	201

Mark	Name	Page
	Hill descent control indicator	201
	Low fuel warning light	191
	Low tire pressure warning light	187
	Windshield washer fluid warning light	187
<b>[S]</b>	Sport (S) mode indicator	199
<b>[I]</b>	Intelligent (I) mode indicator	199
	BSD/RCTA warning indicator	201
	BSD/RCTA OFF indicator	201
<b>RAB</b>	RAB warning indicator	201
<b>RAB OFF</b>	RAB OFF indicator	201
	Icy road surface warning indicator	201

Mark	Name	Page
<b>READY</b>	Hybrid READY indicator light	185
	Hybrid Fail Lamp	185
<b>EV</b>	EV (Electric Vehicle) mode lamp	185
<b>CHG</b>	Hybrid Battery Charge Mode indicator	185
<b>SAVE</b>	Hybrid Battery Save Mode indicator	185
	Timer charging setting indicator	185
	Charge cable connection indicator	185
	Hybrid system overheat warning light	185
	Engine hood open warning light	185

## Function settings

### ■ Function settings and adjustments on the combination meter display (color LCD)

Setting adjustments to the following items can be manually changed within the display to meet your personal requirements.

1st menu/vehicle system	Item		Available settings	Factory default setting	Page reference for the vehicle system operation
	2nd menu/adjustable vehicle system setting	3rd menu/selectable vehicle system setting			
Screen Settings	Welcome Screen	—	On/Off	On	203
	Good-bye Screen	—	On/Off	On	203
	Gauge Initial Movement	—	On/Off	On	207
	Driver Assist Indicator	—	On/Off	On	207
	Units	—	km, km/h, Liter/mile, MPH, Gallon	mile, MPH, Gallon	207
	Tire Pressure Units	—	kPa/PSi	PSi	207
	Languages	—	English/Español/Français	English	208
Warning Volume*	—	—	Max/Mid/Min	Mid	319 and 330 For details about EyeSight system, refer to the Owner's Manual supplement for the EyeSight system.



Item			Available settings	Factory default setting	Page reference for the vehicle system operation
1st menu/vehicle system	2nd menu/adjustable vehicle system setting	3rd menu/selectable vehicle system setting			
EyeSight	Lead Vehicle Acquisition Sound	—	On/Off	On	Refer to the Owner's Manual supplement for the EyeSight system.
	Lead Vehicle Moving Monitor Function	—	On/Off	On	
	Cruise Control Acceleration Characteristics*	—	Lv.4 (Dynamic)/Lv.3 (Standard)/Lv.2 (Comfort)/Lv.1 (ECO)	Lv.3 (Standard)	
RAB	Sonar Audible Alarm	—	On/Off	On	330
Vehicle Setting	Keyless Entry System	Audible Signal	On/Off	On	154
		Hazard Warning Flasher	On/Off	On	208
		Driver Door Unlock	Driver's Door Only/All	Driver's Door Only	149
		Rear Gate/Trunk Unlock	Rear Gate/Trunk Only/All	Rear Gate/Trunk Only	208
	Defogger	—	15 minutes/Continuous	15 minutes	244
	Interior Light	—	10 seconds/20 seconds/30 seconds/Off	30 seconds	265
	Auto Light Sensor	—	Min/Low/Mid/Max	Mid	231
	Welcome Lighting	Approaching Time Set	30 seconds/60 seconds/90 seconds/Off	30 seconds	232
		Leaving Time Set	30 seconds/60 seconds/90 seconds/Off	30 seconds	232
One-touch lane changer	—	On/Off	On	239	
Default Settings	—	—	No/Yes	—	208

\*: You can also set this while driving.

## ■ Individual settings and adjustments

Item	Function	Available settings	Factory default setting	Page
Alarm system	Alarm system	Operation/Non-operation	Operation	165

## ■ Function settings and adjustments performed by a dealer

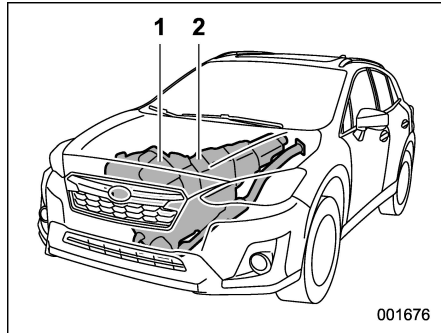
A SUBARU dealer can change the setting adjustments of the following items to meet your personal requirements. Contact the nearest SUBARU dealer for details.

Item	Function	Available settings	Factory default setting
Keyless Access	Audible signal volume	Level 1 to 7	Level 5
Remote keyless entry system	Audible signal	Operation/Non-operation	Operation
	Audible signal volume	Level 1 to 7	Level 5
Key lock-in prevention	Key lock-in prevention	Operation/Non-operation	Operation
Battery drainage prevention function	Battery drainage prevention function	Operation/Non-operation	Operation
Alarm system	Dome light/Cargo area light/Map light illumination	ON/OFF	OFF
	Monitoring start delay time (after closure of doors)	0 seconds/30 seconds	30 seconds
Auto dimmer cancel	Sensitivity of the operation of the auto dimmer cancel	OFF/Min/Low/Mid/Hi/Max	Mid
Seatbelt warning	Sounds a chime while driving	Operation/Non-operation	Operation
Auto on/off wiper-linked headlights	Auto-on/off wiper-linked	Operation/Non-operation	Operation
High beam assist function	High beam assist function	Operation/Non-operation	Operation
Reverse gear interlocked rear wiper	Reverse gear interlocked rear wiper	Operation/Non-operation	Non-operation
Auto on/off headlights	Sensitivity of the operation of the auto on/off headlights	Low/Normal/High/Very high	High

<b>HS-1. Hybrid system features</b> .....	<b>24</b>
Hybrid system operation mode .....	26
Control when driving in each mode.....	27
Hybrid system operation mode selection switch.....	29
Charging .....	30
Pedestrian alert system .....	30
<b>HS-2. Hybrid system precautions</b> .....	<b>31</b>
High voltage battery and battery charger air vents .....	34
Emergency shut off system .....	34
Hybrid warning message .....	35
<b>HS-3. Hybrid vehicle driving tips</b> .....	<b>35</b>
<b>HS-4. EV driving range</b> .....	<b>36</b>
Displayed value .....	36
Tips for extending the EV driving range .....	36
<b>HS-5. Charging</b> .....	<b>37</b>
General information .....	37
Charging methods .....	39
Confirm the items before charging .....	39
Power sources that can be used .....	39
Charging equipment.....	42
Charge port door .....	43
Keyless access function and charge cable connector locking system .....	43
Charging indicator .....	45
Charge cable.....	46
Charging tips for high voltage battery .....	50
Charging from an external power source .....	52
Using the Remote Battery Charging Timer.....	57
Display when charging is completed .....	61
<b>HS-6. Troubleshooting</b> .....	<b>62</b>
When normal charging cannot be carried out .....	62
When the Remote Battery Charging Timer does not operate normally.....	63
When charging-related message is displayed .....	65
When other message is displayed .....	68

## HS-1. Hybrid system features

The hybrid system is a system excellent in both economical efficiency of electric vehicles and practicality of hybrid vehicles.



- 1) Gasoline engine
- 2) Electric motor (traction motor)

EV driving can be performed using electricity charged from an external power source. The EV driving range will vary in accordance with conditions such as vehicle speed, the amount of charge remaining in the high voltage battery and the usage of the climate control system. The gasoline engine may also be used simultaneously in accordance with driving conditions.

If the amount of electricity remaining in the high voltage battery becomes low, the

vehicle is automatically controlled in such a way that it can be driven as a hybrid vehicle through the joint use of the gasoline engine.

### NOTE

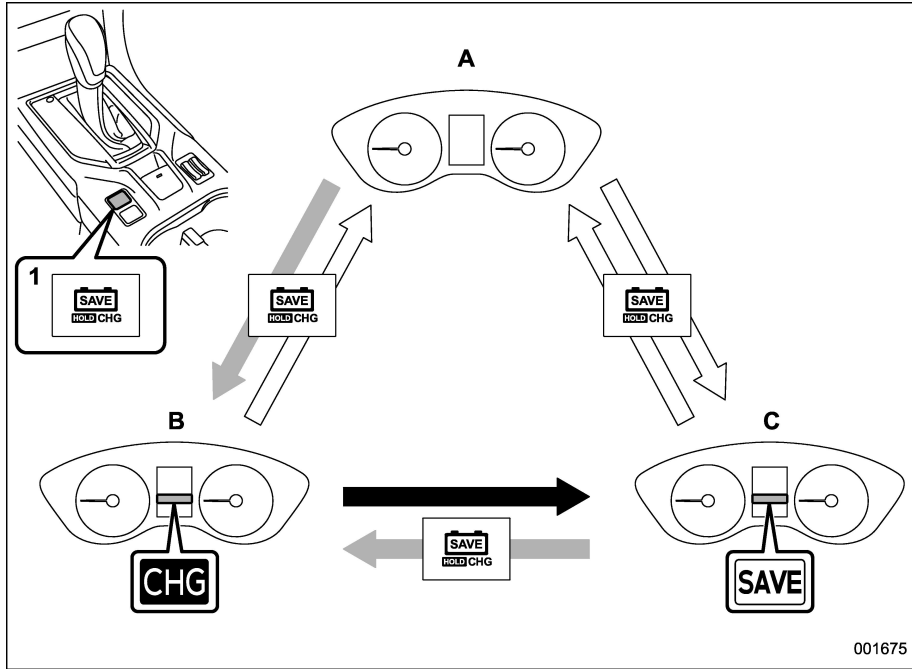
- Plug-in hybrid vehicles can be driven using electricity charged from an external power source. However, as the gasoline engine is used depending on the situation even in driving using only the electric motor, and the gasoline engine is provided on board as a power source in driving using both the electric motor and engine. For that reason it is necessary to refuel the vehicle. Check the fuel amount and refill immediately when the fuel level becomes low. Refer to “Fuel” P281.
- If the vehicle is not used for a long time, the 12 V battery may discharge. In this event, charge the 12 V battery. In order to prevent the high voltage battery from becoming extremely low in charge, charge the high voltage battery from an external power source or start the hybrid system at least once every 2 or 3 months, and turn the ignition switch off after the gasoline engine has stopped automatically. (If the gasoline engine does not start up even after approximately 10 seconds have passed since the Hybrid READY indicator light

came on, the ignition switch can be turned off without any further action.)

- When the vehicle is left with the charge cable connected, the electricity consumption amount of the 12 V battery increases due to controls, such as the system checking and operating. When the charge cable is not needed, immediately disconnect it from the vehicle.
- There may be no engine sound or vibration even though the vehicle is able to move with the Hybrid READY indicator light is illuminated. For safety, apply the parking brake and make sure to shift the select lever position to “P” when parked.
- The following sounds or vibrations may occur when the hybrid system is operating and are not malfunctions.
  - Electric motor sounds may be made by the vehicle.
  - Sounds may be heard from the high voltage battery when the hybrid system starts or stops.
  - Relay operating sounds such as a snap or soft clank will be emitted from the high voltage battery, the cargo area, when the hybrid system is started or stopped.
  - Sounds from the hybrid system may be heard when the back door is

- open.
- Sounds may be heard from the transmission when the gasoline engine starts or stops, when driving at low speeds, or during idling.
  - Engine sounds may be heard when accelerating sharply.
  - Sounds may be heard due to regenerative braking when the brake pedal is depressed or as the accelerator pedal is released.
  - Vibration may be felt when the gasoline engine starts or stops.
  - Cooling fan sounds may be heard from the air intake vent.
- For details about maintenance, repair, recycling, and disposal, contact your SUBARU dealer regarding maintenance, repair, recycling and disposal. Do not dispose of the vehicle yourself.

## Hybrid system operation mode



- A) Normal Mode
- B) Hybrid Battery Charge Mode
- C) Hybrid Battery Save Mode
- 1) Hybrid Mode switch
- ➡**: Switching automatically
- ➡**: Press the Hybrid Mode switch
- ➡**: Press and hold the Hybrid Mode switch

001675

The hybrid system operates in the 3 modes illustrated above. The combination meter (color LCD) can be used to check which mode the hybrid system is currently being driven in. Refer to "Telltale screen" P204.

### ▼ Normal Mode

The system switches automatically between being powered by only the electric motor and powered by both the electric motor and engine according to the driving conditions and changes in the charge level of the high voltage battery.

When in EV driving, the EV (Electric Vehicle) mode lamp illuminates on the combination meter (color LCD). Refer to “EV (Electric Vehicle) mode lamp” ⒶP185.

### NOTE

- When the charge level of the high voltage battery is high, EV driving is used. However the engine may start automatically at times of high load or when driving at high speed.
- When the charge level of the high voltage battery is low, both the engine and electric motor are used for driving. However if the charge level recovers as a result of regenerative braking or other charging, EV driving can be used again.

### ▼ Hybrid Battery Save Mode

When in Hybrid Battery Save Mode, the vehicle drives in a way that maintains the charge level of the high voltage battery. When in the mode, the Hybrid Battery Save Mode indicator illuminates on the combination meter (color LCD).

For information about how to change to Hybrid Battery Charge Mode, refer to “Hybrid system operation mode selection switch” ⒶP29.

### ▼ Hybrid Battery Charge Mode

#### WARNING

Observe the following precautions when using the Hybrid Battery Charge Mode while parking.

Failure to do so may lead to death or serious health hazard, as the gasoline engine operates when in the Hybrid Battery Charge Mode.

- Do not stop the vehicle near flammable materials.
- Do not use the Hybrid Battery Charge Mode in a closed area where ventilation is insufficient, such as in a garage or an area with snow buildup.

Electricity generated in the gasoline engine can be charged in the high voltage battery by switching to the Hybrid Battery Charge Mode.

When in the mode, the Hybrid Battery Charge Mode indicator illuminates.

For information about how to change to Hybrid Battery Charge Mode, refer to

“Hybrid system operation mode selection switch” ⒶP29.

### NOTE

- The system may not be able to switch to the Hybrid Battery Charge Mode due to the state of the hybrid system. Refer to “Switching to the Hybrid Battery Charge Mode” ⒶP29.
- Charging time differs depending on the driving state of the vehicle when driving in Hybrid Battery Charge Mode.
- When in the Hybrid Battery Charge Mode, the gasoline engine runs to charge the battery and fuel consumption becomes higher compared with driving in Normal Mode.

### ■ Control when driving in each mode

#### ▼ Driving using only the electric motor

In Normal Mode, EV driving is possible. However, depending on the situation, EV driving may be canceled and both the gasoline engine and the electric motor may be used. Also, if a little electricity is remaining in the high voltage battery, Driving using both the electric motor and engine is automatically selected. In order to drive only on the electric motor power for a long time, observe the followings.

- Avoid sudden acceleration, sudden deceleration and be sure to drive smoothly.

If you repeatedly accelerate, the high voltage battery charge will deplete quickly. Also, EV driving may be canceled by rapid acceleration or high vehicle speed.

- Restrain your speed as much as possible. The distance that can be driven in driving using only the electric motor will reduce considerably at high speeds.

## NOTE

- **EV driving range**
  - The EV driving range is displayed on the combination meter display (color LCD).
  - The EV driving range changes in accordance with the charge status of the high voltage battery and the speed of the vehicle.
  - Even if there is enough charge remaining in the high voltage battery, EV driving may be canceled and both the gasoline engine and the electric motor are used depending on the situation.
- Even if there is a sufficient amount of electricity remaining in the high voltage battery and EV driving range is being displayed on the combination meter display (color LCD), EV driving may be

**canceled and both the gasoline engine and the electric motor are used depending on the situation. EV driving will be returned automatically after EV driving becomes possible again.**

**EV driving may be canceled automatically in the following circumstances:**

- The vehicle speed is more than 65 mph (105 km/h).
- Power is needed temporarily, for example when the accelerator pedal is depressed firmly or when accelerating suddenly.
- The temperature of the hybrid system is high because the vehicle has been left in the sun, driven on a hill, driven at high speeds, etc.
- The temperature of the hybrid system is low.
- The heater is switched on when the outside temperature is below about 14°F (-10°C).
- The windshield defogger switch is pressed.
- The system determines that the gasoline engine needs to be started. The gasoline engine may also operate in circumstances other than those listed above, depending on conditions.

## ▼ Driving using both the electric motor and engine

In driving using both the electric motor and engine, controls are primarily carried out as follows in accordance with the driving conditions.

- The gasoline engine stops when the vehicle is stopped.\*
- During start off, the electric motor (traction motor) drives the vehicle.
- During normal driving, the gasoline engine and electric motor (traction motor) are controlled effectively, and the vehicle is driven with optimum fuel efficiency. Also, when necessary, the electric motor (traction motor) operates as an electrical generator to charge the high voltage battery.
- When the accelerator pedal is depressed heavily, the drive force from both the gasoline engine and the electric motor (traction motor) is used to accelerate.

\*: When the high voltage battery requires charging or the engine is warming up, the gasoline engine will not automatically stop.

## NOTE

**The gasoline engine starts and stops automatically. However, it may not stop automatically in the following condi-**



tions:

- During gasoline engine warm-up
- During high voltage battery charging
- When the temperature of the high voltage battery is high or low.
- When the windshield defogger switch is pressed.

Depending on the circumstances, the gasoline engine may also not stop automatically in situations other than those above.

#### ▼ When braking (regenerative braking)

The electric motor (traction motor) charges the high voltage battery.

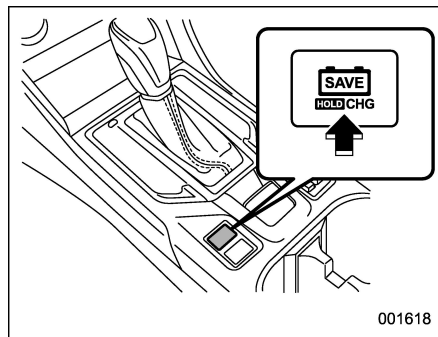
The EV driving range can be extended by actively using this regenerative braking to store electricity in the high voltage battery. Moreover, as fuel consumption is also reduced when driving using both the electric motor and engine, the regenerative braking system can be used effectively.

#### NOTE

- In the following situations, kinetic energy is converted to electric energy and deceleration force can be obtained in conjunction with the recharging of the high voltage battery.

- The accelerator pedal is released while driving with the select lever position in “D” or “B”.
- The brake pedal is depressed while driving with the select lever position in “D” or “B”.
- When the high voltage battery is fully charged, it is not recharged by regenerative braking.

#### ■ Hybrid system operation mode selection switch



Hybrid Mode switch

The hybrid system operation modes can be selected using the switch.

#### NOTE

- If there is not enough electrical

power in the high voltage battery, it is not possible to select the Hybrid Battery Save Mode.

- The Hybrid Battery Charge Mode cannot be selected if the high voltage battery is almost completely charged.

#### ▼ Switching to the Hybrid Battery Save Mode

Pressing the Hybrid Mode switch while it is in the Normal Mode or Hybrid Battery Charge Mode can be selected to the Hybrid Battery Save Mode.

The Hybrid Battery Save Mode indicator illuminates when the mode is switched to Hybrid Battery Save Mode. The Driver Assist indicator at the top of the combination meter also illuminates in yellow-green for approximately 5 seconds.

Hybrid Battery Save Mode will be canceled by pressing the Hybrid Mode switch.

#### ▼ Switching to the Hybrid Battery Charge Mode

1. Press and hold the Hybrid Mode switch.
2. Release the switch once the Hybrid Battery Charge Mode indicator starts to blink.

The indicator illuminates when the switch to Hybrid Battery Charge Mode is complete. The Driver Assist indicator at the top

of the combination meter illuminates in light blue for approximately 5 seconds.

When the high voltage battery is almost fully charged, the Hybrid Battery Charge Mode is automatically canceled and the operation mode will be switched to Hybrid Battery Save Mode.

The Hybrid Battery Charge Mode can be canceled by pressing the Hybrid Mode switch.

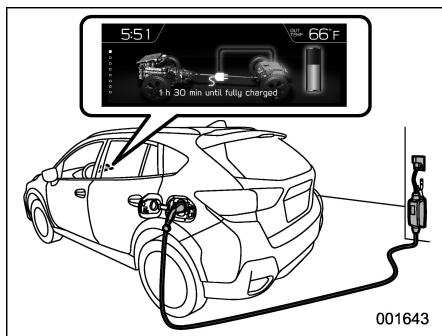
## NOTE

- The maximum charge amount in the Hybrid Battery Charge Mode is approximately 80% of the fully charged capacity for the charging from an external power source.
- When the high voltage battery is close to fully charged, it is not possible to change to Hybrid Battery Charge Mode even when the Hybrid Mode switch is pressed.
- When the ignition switch is turned off, operation mode switching is canceled and the system returns to Normal Mode the next time the vehicle is started.
- The following may occur to protect the system.
  - Hybrid Battery Charge Mode cannot be selected or canceled.
  - The gasoline engine will not start

or stop even after switching to hybrid battery charge mode.

- If a load to the system is large, such as when the power consumption of the climate control system is large or when the temperature of the engine coolant is high, it may take longer than usual to charge using the Hybrid Battery Charge Mode, or charging to the high voltage battery may not be performed.

## ■ Charging



In order to make EV driving available, charge the high voltage battery from an external power source before using the vehicle. Refer to “Charging” P37.

## NOTE

Even if charging of the high voltage

battery has not been completed, the vehicle can be driven. However, if there is not enough charge remaining, it is possible that the vehicle cannot be driven using only the electric motor or the EV driving range will become shorter.

## ■ Pedestrian alert system

When driving with the gasoline engine stopped, a sound which changes in accordance with the driving speed will be played in order to warn people nearby of the vehicle's approach. The sound will stop when the vehicle speed exceeds approximately 22 mph (36 km/h).

The sound is produced continuously by the system while the vehicle is reversing.

## NOTE

In the following cases, the pedestrian alert system may be difficult for surrounding people to hear.

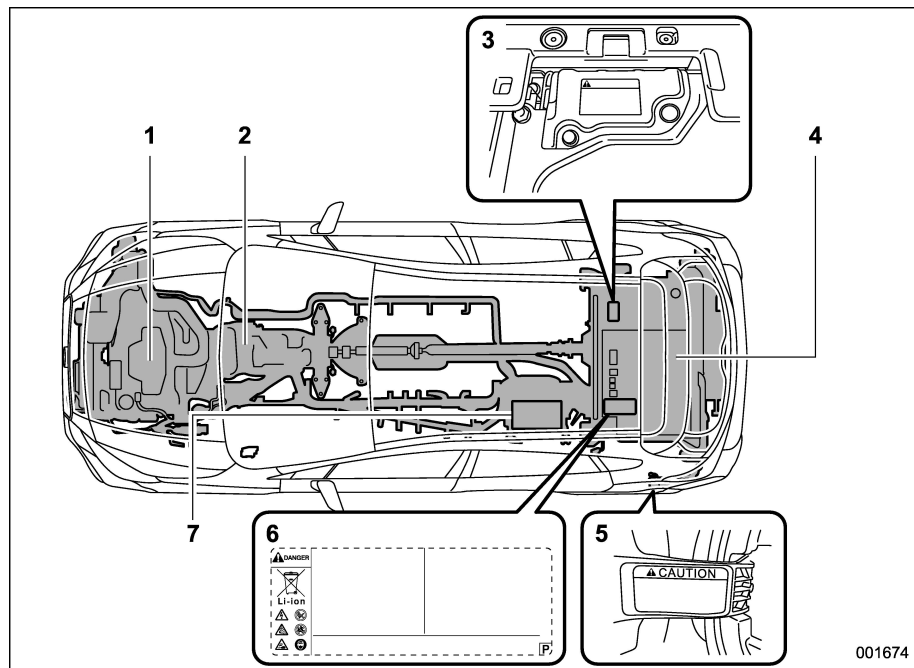
- In very noisy areas
- In the wind or the rain

Also, as the pedestrian alert system is installed on the front of the vehicle, it may be more difficult to hear from the rear of the vehicle.

## HS-2. Hybrid system precautions

### WARNING

Take care when handling the hybrid system, as it contains a high voltage system (about 650 V at maximum) as well as parts that become extremely hot when the hybrid system is operating. Obey the caution labels attached to the vehicle. The high voltage system is very dangerous and improper operation can cause severe burns and electric shock that may result in death or serious injury.



- 1) Engine
- 2) Electric motor (traction motor)
- 3) Service plug cover and warning label
- 4) High voltage battery
- 5) Charge port door caution label
- 6) Warning label for high voltage battery
- 7) Inverter with converter assembly

**WARNING**

- The vehicle has high voltage DC and AC systems as well as a 12-volt system. DC and AC high voltage is very dangerous and can cause severe burns and electric shock that may result in death or serious injury.
  - Never touch, disassemble, remove or replace the high voltage parts, cables or their connectors.
  - The hybrid system will become hot after starting as the system uses high voltage. Be careful of both the high voltage and the high temperature, and always obey the caution labels attached to the vehicle.
  - Never try to open the service plug cover under the cargo area. The service plug is used only when the vehicle is serviced and is subject to high voltage.
- Observe the following precautions to reduce the risk of death or serious injury when an accident occurs:

- Pull your vehicle off the road, apply the parking brake, shift the select lever position to “P”, and turn the hybrid system off.
- Do not touch the high voltage parts, cables or connectors.
- If electric wires are exposed inside or outside your vehicle, an electric shock may occur. Never touch exposed electric wires.
- Do not touch the battery if liquid is leaking from or adhering to it.  
If electrolyte (carbonic-based organic electrolyte) from the high voltage battery comes into contact with eyes or skin, it could cause blindness or skin wounds. In the event that it comes into contact with eyes or skin, wash it off immediately with a large amount of water, and seek immediate medical attention.
- If electrolyte is leaking from the high voltage battery, do not approach the vehicle. In the event that the high voltage battery is damaged,

the internal construction of the battery will prevent a large amount of electrolyte from leaking out. However, any electrolyte that does leak out will give off a vapor. This vapor is an irritant to skin and eyes and could cause acute poisoning if inhaled.

- Do not bring burning or high-temperature items close to the electrolyte. The electrolyte may ignite and cause a fire.
- If a fire occurs in the hybrid vehicle, leave the vehicle as soon as possible. Never use a fire extinguisher that is not meant for electric fires. Using even a small amount of water may be dangerous.
- Carefully inspect the ground under the vehicle. If you find that liquid has leaked onto the ground, the fuel system may have been damaged. Leave the vehicle as soon as possible.
- Never resell, hand over or modify the high voltage battery. To prevent accidents, hybrid batteries that have been removed from a

disposed vehicle are collected through a SUBARU dealer. Do not dispose of the battery yourself. Unless the battery is properly collected, the following may occur, resulting in death or serious injury:

- The high voltage battery may be illegally disposed of or dumped, and it is hazardous to the environment or someone may touch a high voltage part, resulting in an electric shock.
- The high voltage battery is intended to be used exclusively with your hybrid vehicle. If the high voltage battery is used outside of your vehicle or modified in any way, accidents such as electric shock, heat generation, smoke generation, explosion and electrolyte leakage may occur. When reselling or handing over your vehicle, the possibility of an accident is extremely high because the person receiving the vehicle may not be aware of these dangers.
- If your vehicle is disposed of without the high voltage battery

having been removed, there is a danger of serious electric shock if high voltage parts, cables and their connectors are touched. In the event that your vehicle must be disposed of, the high voltage battery must be disposed of by your SUBARU dealer. If the high voltage battery is not disposed of properly, it may cause electric shock that can result in death or serious injury.



### CAUTION

- The fuel may remain in the tank for a long time and undergo changes in quality depending on the how the vehicle is used. Refuel at least 9.3 gal. (35 L, 7.7 Imp.gal.) of fuel every 6 months (refuel a total of at least 9.3 gal. [35 L, 7.7 Imp.gal.] over a 6-month period), as this may affect components of the fuel system or the gasoline engine.

### NOTE

- High voltage parts and cables on the hybrid vehicles incorporate electromagnetic shielding. Therefore they

emit approximately the same amount of electromagnetic waves as conventional gasoline powered vehicles or home electronic appliances.

- Your vehicle may cause sound interference in some third party-produced radio parts.
- The high voltage battery has a limited service life.

The high voltage battery capacity (the ability to hold a charge) reduces with time and use in the same way as other rechargeable batteries. The extent at which capacity reduces changes drastically depending on the environment (ambient temperature, etc.) and usage conditions, such as how the vehicle is driven and how the high voltage battery is charged. This is a natural characteristic of lithium-ion batteries, and is not a malfunction.

Also, even though the distance that can be driven using only the electric motor decreases when the high voltage battery capacity reduces, driveability does not significantly become worse.

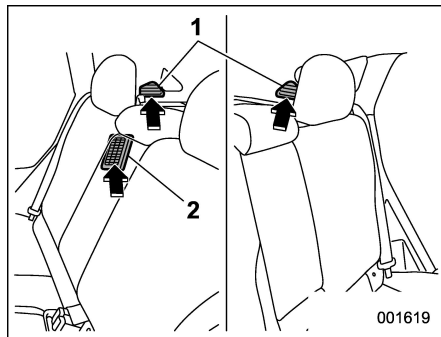
In order to reduce the possibility of the capacity reducing, refer to “General information” P37.

- When the high voltage battery is extremely cold (below  $-22^{\circ}\text{F}$  ( $-30^{\circ}\text{C}$ )) under the influence of the outside

temperature, it may not be possible to start the hybrid system. In this case, try to start the hybrid system again after the temperature of the high voltage battery increases due to the outside temperature increase.

- Do not place a ferromagnetic substance in the cargo area. It could have a negative impact on electric devices.

### ■ High voltage battery and battery charger air vents



- 1) High voltage battery air vents
- 2) Battery charger air vent

There are air vents on the cargo area for the purpose of cooling the high voltage battery and battery charger. If the vents become blocked, the high voltage battery

or battery charger may overheat, which will lead to a reduction in high voltage battery output.

The vehicle is equipped with a function that cools the high voltage battery when it is being charged from an external power source. This function uses the climate control system to collect cool air from the intake port and use it to cool the high voltage battery. For the detailed settings, refer to “High voltage battery cooling screen setting” P221.

### ⚠ CAUTION

- Make sure not to block the air vent with anything, such as a plastic cover, or luggage. The high voltage battery and battery charger may overheat and be damaged.
- Do not wet or allow foreign substances to enter the air vents as this may cause a short circuit and damage to the high voltage battery and battery charger.
- Do not carry large amounts of water, such as water cooler bottles, in the vehicle. If water spills onto the high voltage battery, the battery may be damaged. Have the vehicle inspected by your

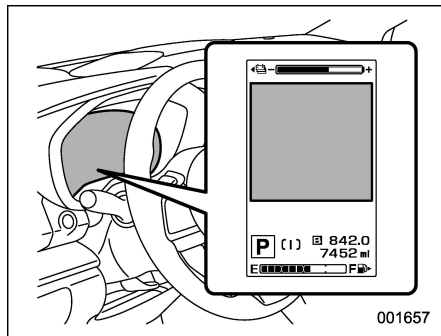
**SUBARU dealer.**

- If “Reduced High voltage battery cooling Have vehicle inspected at retailer” is displayed on the combination meter display (color LCD), check that nothing is blocking the air vent. If the message continues to be displayed when the air vent is not blocked, have the vehicle inspected by your SUBARU dealer.

### ■ Emergency shut off system

When a certain level of impact is detected by the impact sensor, the emergency shut off system blocks off the high voltage current and stops the fuel pump to minimize the risk of electrocution and fuel leakage. If the emergency shut off system activates, your vehicle will not restart. To restart the hybrid system, contact your SUBARU dealer.

## ■ Hybrid warning message



A message is automatically displayed when a malfunction occurs in the hybrid system or an improper operation is attempted.

If a warning message is shown on the combination meter display (color LCD), read the message and follow the instructions.

### NOTE

**If a warning light comes on, a warning message is displayed or the 12 V battery is disconnected, the hybrid system may not start. In that case, try to start the system again. If the Hybrid READY indicator light does not come on, contact your SUBARU dealer.**

## HS-3. Hybrid vehicle driving tips

### ⚠ WARNING

- **Always start the hybrid system while sitting in the driver's seat. Do not depress the accelerator pedal while starting the hybrid system under any circumstances. Doing so may cause an accident resulting in death or serious injury.**
- **When restarting the hybrid system after an emergency shutdown while driving, press the ignition switch. When restarting the hybrid system after stopping the vehicle, change the select lever position to "P" and then press the ignition switch.**

For economical and ecological driving, pay attention to the following points.

#### • Use of power meter

Eco-friendly driving is possible by keeping the power meter within the Eco area. Refer to "Power meter" P177.

#### • Select lever position operation

Shift the select lever position to the "D" position when stopped at a traffic light, or

when driving in heavy traffic.

Shift the select lever position to the "P" position when parking.

Selecting the "N" position has no positive effect on fuel consumption. In the "N" position, the gasoline engine operates but electricity cannot be generated. Also, when using the climate control system, etc., the high voltage battery power is consumed.

#### • Accelerator pedal/brake pedal operation

– Drive your vehicle smoothly. Avoid abrupt acceleration and deceleration. Gradual acceleration and deceleration will make more effective use of the electric motor (traction motor) without having to use gasoline engine power.

– Avoid repeated acceleration. Repeated acceleration consumes high voltage battery power, resulting in poor fuel consumption. Battery power can be restored by driving with the accelerator pedal slightly released.

– Make sure to operate the brakes gently and in a timely manner when braking. A greater amount of electrical energy can be regenerated when slowing down.

#### • Delays

Repeated acceleration and deceleration, as well as long waits at traffic lights, will

lead to high fuel and electricity consumption. Check traffic reports before leaving and avoid delays as much as possible. When driving in a traffic jam, gently release the brake pedal to allow the vehicle to move forward slightly while avoiding over-use of the accelerator pedal. Doing so can help control excessive electricity and fuel consumption.

#### ● Highway driving

Control and maintain the vehicle at a constant speed. Before stopping at a toll booth or similar, allow plenty of time to release the accelerator and gently apply the brakes. A greater amount of electrical energy can be regenerated when slowing down.

#### ● Air conditioning

– Using the remote climate control system while the charge cable is connected to the vehicle can reduce electricity consumption immediately after starting off by operating the climate control mainly using electricity from an external power source. Refer to “Remote climate control system” P158.

– Set the air conditioning-linked setting to ON to lower the electricity consumption just after starting to drive. Refer to “Setting the Remote Battery Charging Timer” P58.

## HS-4. EV driving range

The EV driving range displayed on the combination meter (color LCD) shows an estimate of the distance that is possible in EV driving (driving using only the electric motor), and the actual distance that can be driven may differ from that displayed. Refer to “Basic screens” P205.

### ■ Displayed value

The value displayed on the combination meter display (color LCD) is estimated from the following information.

- The amount of high voltage battery charge currently remaining
- The electricity consumption (the estimated distance that can be driven in EV driving per unit of electrical energy) based on the recorded value.
- The past climate control system electricity consumption amount

The electricity consumption varies depending on how the vehicle is driven. The vehicle automatically records the electricity consumption when being charged and uses the electricity consumption for estimating the EV driving range. Therefore, the EV driving range displayed when the high voltage battery is fully charged may

differ from the previous EV driving range depending on how the vehicle was driven.

### ■ Tips for extending the EV driving range

The distance that can be driven in EV driving varies significantly depending on how the vehicle is driven, road conditions, the weather, the outside temperature, usage conditions of electrical components and the number of occupants.

The distance that can be driven in EV driving can be extended if the following is performed:

- Maintain a safe distance from the vehicle in front and avoid unnecessary acceleration and deceleration.
- Accelerate and decelerate as smoothly as possible.
- Drive at moderate speeds as much as possible and maintain a constant speed.
- Set the climate control to a moderate temperature and turn off the climate control when it is not needed.
- Use tires of the specified size and maintain the specified tire pressure.
- Do not add unnecessary weight to the vehicle.



## HS-5. Charging

### ■ General information

Make sure to read the following precautions before connecting the charge cable to the vehicle and charging the high voltage battery.



#### WARNING

- People with implantable cardiac pacemakers or cardiac resynchronization therapy-pacemakers should not carry out the charging procedure. Ask someone else to do it.
  - Do not approach the charging equipment and charge cable while charging. The charging procedure may affect the operation of such devices.
  - Do not remain in the vehicle during charging. The charging procedure may affect the operation of such devices.
  - Do not enter the vehicle even to take something out of the cargo area. The charging procedure may affect the operation of such devices.

- This vehicle has been designed to allow charging from an external power source using a SUBARU genuine charge cable for exclusive use with standard household AC outlets.

However, the vehicle differs greatly from standard household electrical goods in the following ways, and incorrect usage could cause fire or electric shock, possibly leading to death or serious injury.

- For information about battery charging time, refer to “Estimated charging time” P51.
- Charging can be conducted outdoors.
- Do not operate the select lever when the charge cable is connected to the vehicle. In the event that the charge cable has been damaged, the select lever position may change from “P” to another position and the vehicle could move, possibly leading to an accident.

- Do not refill the gasoline tank while the battery is charging.
- Do not disassemble or modify the charger. There is the risk of accident or injury. Doing so could increase the risk of accident or injury, and it could also have a negative impact on other devices.
- Do not fuel the vehicle or wash the vehicle when the charge port door is open. There is the risk of malfunction or injury.



#### CAUTION

- Make sure to observe the following precautions when handling the charge cable. Failure to observe these precautions may result in damage to the charge cable and charge port.
  - Insert the charging connector straight into the charge port.
  - After inserting the charging connector, do not apply excessive force to or twist the connector. Also, do not lean on the connector or hang any objects from it.

- Do not step on or trip over the charge cable.
- Before removing the charging connector, make sure that it is unlocked. Refer to “After charging” P56.
- After removing the charge cable, promptly return it to its proper location.

To charge properly, follow the procedure after reading the explanation below. Charging is intended to be carried out only by licensed drivers who properly understand the charging procedure.

- Charging should not be carried out by children.
- When charging with charging equipment, follow the procedures for using all equipment.
- When charging using a public charging facility, check the setting of the Remote Battery Charging Timer.

## NOTE

- Do not operate any unnecessary electrical components while charging is in progress. Doing so may increase the time required for charging. It could also have a negative impact on other devices.

- The vehicle has the following safety functions.

- The hybrid system will not start while the charge cable is attached to the vehicle, even if the ignition switch is operated.

- If the charge cable is connected while the Hybrid READY indicator light is illuminated, the hybrid system will stop automatically and driving will not be possible.

- When the charge cable is connected to the vehicle, the select lever position cannot be changed from “P” to another position. However it can be changed to a position other than “P” if the shift lock is disengaged.

- The following occur during charging, however, they do not indicate a malfunction.

- The charging starting time may differ depending on the state of the vehicle.

- During charging, the sound of the fan may be heard from the charging equipment cooling air vents.

- During and after charging, the cargo area in which the charging equipment is installed may get warm.

- The capacity of the high voltage battery will decline gradually when the high voltage battery is in use. The rate at which it declines will differ in accordance with environmental conditions and the way in which the vehicle is used. Observing the following can help suppress battery capacity decline.

- Avoid parking the vehicle in high temperature areas when the high voltage battery is fully charged.

- Avoid accelerating and decelerating frequently and suddenly when EV driving.

- Avoid frequent driving near the top speed for EV driving.

- Leave a low level of charge in the high voltage battery when leaving the vehicle undriven for a long period of time.

After confirming that EV driving has switched to driving using both the electric motor and engine, turn the ignition switch off.

- Use the Remote Battery Charging Timer as much as possible in order to fully charge the high voltage battery immediately before starting off.

Also, if the high voltage battery capacity reduces, the distance that can be

driven in EV driving decreases. However, the driveability does not significantly become worse.

- In the following situations, the remaining charge of the high voltage battery after charging completes may be less than normal in order to protect the system. When this occurs, even if the remaining charge display of the high voltage battery shows that it is fully charged, the remaining charge rapidly decreases faster than normal.

- Charging is carried out when the outside temperature is low or high
- Charging is carried out immediately after high-load driving or in extreme heat

If none of the above situations apply and there is a drastic drop in the remaining charge of the high voltage battery after charging completes, have the vehicle inspected by your SUBARU dealer.

- **Certification**

This device complies with part 15 of the FCC Rules.

Operation is subject to the following two conditions:

- (1) This device may not cause harmful interference, and
- (2) this device must accept any

interference received, including interference that may cause undesired operation.

## ■ Charging methods

The following methods can be used to charge the high voltage battery.

- **Charging from an external power source**

This is a charging method used when charging from an AC outlet (120 V) with the charge cable equipped to the vehicle or charging at a public charging station. Refer to “Charging from an external power source” ⓄP52.

The charging start time (or departure time) and day can be set to carry out charging using the timer at the desired date and time. Refer to “Using the Remote Battery Charging Timer” ⓄP57.

- **Using the Hybrid Battery Charge Mode**

The hybrid system can be switched to Hybrid Battery Charge Mode to charge the high voltage battery using electricity generated by gasoline engine operation. Refer to “Switching to the Hybrid Battery Charge Mode” ⓄP29.

## ■ Confirm the items before charging

Before charging, always check the following items.

- The parking brake is applied.
- The headlights are switched off or set to AUTO, and lights, such as the hazard warning flashers and interior lights, are switched off. If electric components are activated, they will use electric power. This will cause a longer battery charging time.
- The ignition switch is off.
- Make sure that each part of the charge cable is in good condition. Refer to “Inspecting and maintaining the charge cable” ⓄP49.

## ■ Power sources that can be used



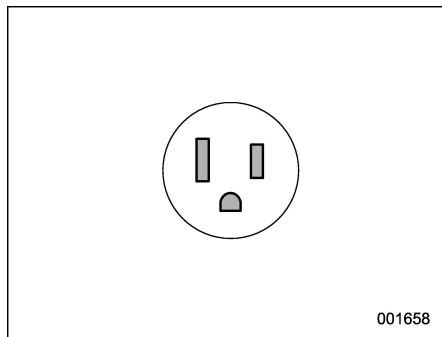
### WARNING

**Make sure to observe the precautions for electrical faults when charging the vehicle.**

**Failure to use a power source that fulfills the requirements, or failure to observe regulations while charging could lead to an accident, possibly resulting in death or serious injury.**

An external power source that fulfills the following criteria is necessary for charging this vehicle. Confirm this before charging.

#### ▼ Power sources



001658

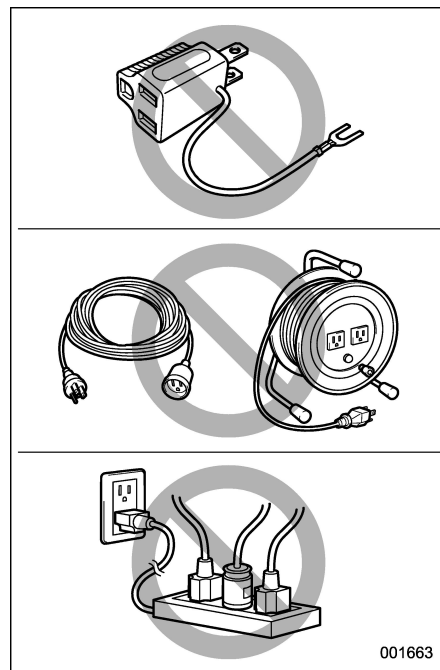
- Connect to an AC 120 V outlet (NEMA 5-15R) with a Ground-Fault Circuit-Interrupter (GFCI) and a circuit breaker. Use of a 15 A individual circuit is strongly recommended to ensure the charge cable will operate properly.

- When charging outdoors, make sure to connect to a weatherproof outlet that is certified for outdoor use.

Checking Ground-Fault Circuit-Interrupter (GFCI) operation before its use is recommended.

#### NOTE

- When your circuit breaker trips during charging, the upper limit of the charging current can be changed in the settings on the multi-function display. Refer to “Maximum charge current setting” P223.



001663



#### WARNING

Observe the following precautions. If you do not follow them, fire, electrical shock or damage may occur, possibly resulting in death

or serious injury.

- Connect to an AC 120 V outlet (NEMA 5-15R) with a Ground-Fault Circuit-Interrupter (GFCI) supplied by a circuit breaker per your local code. Use of a 15 A individual circuit is strongly recommended.
- Do not connect the charge cable to a multi-outlet adapter, multi-plugs, or conversion plug.
- Connecting the charge cable to an extension cord is strictly prohibited. The extension cord may overheat and does not contain a Ground-Fault Circuit-Interrupter (GFCI).
- Do not connect to a power strip.
- Use of a block heater for charging is prohibited.
- Make sure to connect the charging connector and charge port directly. Do not connect a converting adaptor or extension cord between the charging connector and charge port.
- For safe charging, the following charging equipment and settings are recommended.
  - When charging outdoors, con-

nect the plug to a weather-proof outlet, and ensure that the plug remains waterproof while the plug is connected.

- To reduce the risk of fire, connect only to an at least 15 A branch circuit with an over-current protection in accordance with the National Electric Code, ANSI/NFPA 70.
- To reduce the risk of electric shock when working with the plug, connect to an outlet with a Ground-Fault Circuit-Interrupter (GFCI) or one that has a Ground Leakage Circuit Breaker installed.

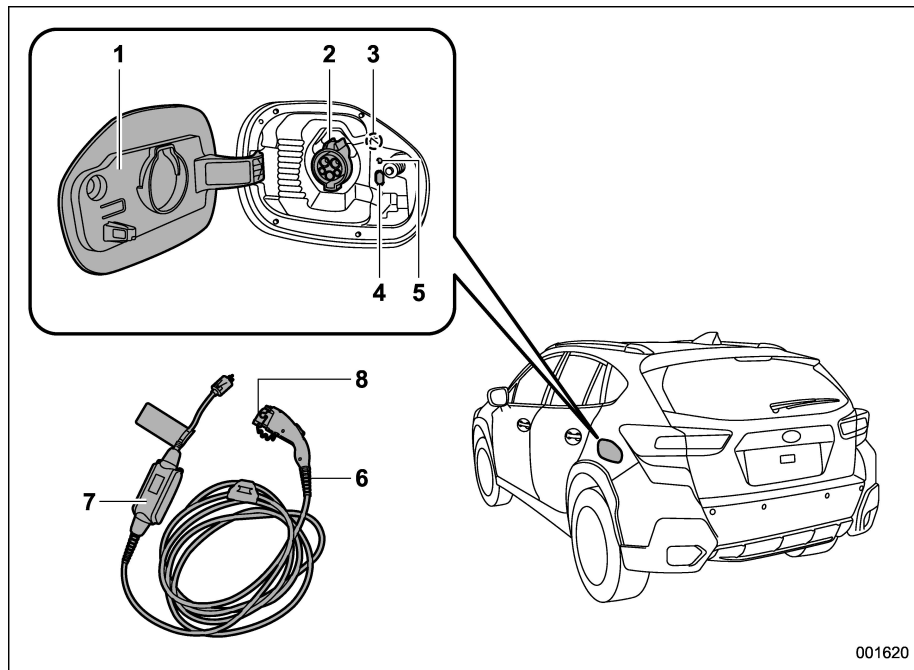


#### CAUTION

Do not use private power generators as a power source for charging. Doing so may make charging unstable, the voltage may be insufficient, and the error warning indicator on Charging Circuit Interrupting Device of the charge cable may flash.

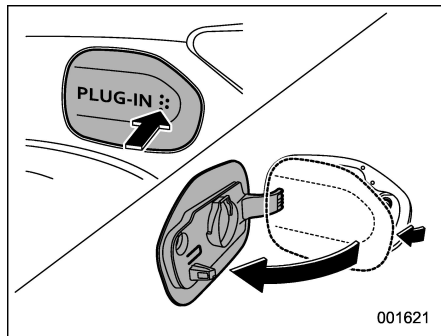
## ■ Charging equipment

This vehicle features equipment for connecting to an external power source.



- 1) Charge port door (page 43)
- 2) Charge port
- 3) Charge port light
- 4) Charge cable connector lock switch (page 43)
- 5) Charging indicator (page 45)
- 6) Charge cable (page 46)
- 7) Charging Circuit Interrupting Device (page 48)
- 8) Charging connector cap

## ■ Charge port door



If one of the following conditions is met, the charge port door can be opened by pushing.

- The door is unlocked.
- The access key fob is being held. Refer to “Keyless access function and charge cable connector locking system” P43.

## ■ Keyless access function and charge cable connector locking system

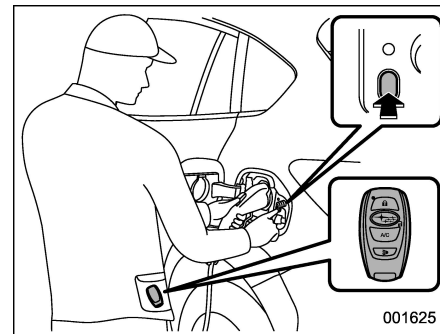
When carrying the access key fob on your person, only the charge port door can be unlocked, and the charging connector can be locked or unlocked with the doors of the vehicle locked.

### ▼ Opening the charge port door and locking the charging connector by using keyless access function



### Opening the charge port door

Pressing the charge port door carrying the access key fob on your person can open only the charge port door with the doors of the vehicle locked.



### Charge cable connector locking system

Pressing the charge cable connector lock switch carrying the access key fob on your person can lock and unlock the charging connector.

It can be used to prevent the charge cable from being removed or stolen while charging.



### CAUTION

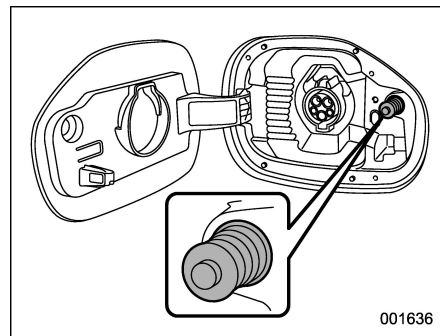
**Observe the following precautions when locking the charging connector. Failure to do so may cause a malfunction in the charge cable connector locking system.**

- Check that the charging connector is compatible with this vehicle. A charging connector of a different type or a charging connector with a damaged or deformed insertion part may not be locked.
- Do not operate the charge cable connector lock switch before the charging connector is connected.
- Operate the charge cable connector lock switch after firmly inserting the charging connector into the charge port.
- Do not apply excessive force to the charging connector when the charging connector is locked.  
When removing the charging connector, make sure to unlock the charging connector.

## NOTE

- For details about the antenna location and operating range, refer to “Operating ranges” P146.
- When the doors are locked with the keyless access function, wireless remote control or door lock switch, the charge port door is also locked.

- If the charge port door is closed with the doors locked, the charge port door locks.
- After using the emergency key to unlock the doors, the charge port door can be opened. When the doors are locked using the emergency key, the charge port door also locks.
- After using the emergency key to unlock the doors, the charge port door can be opened. Refer to “How to lock and unlock the vehicle by using the key” P160. The charge cable connector locking system can also be operated.
- If the charge port door is pressed when the doors are locked and you are not carrying the access key fob, the charge port door opens slightly, but remains locked. Carry an access key fob or unlock the doors, and then press the charge port door twice to open it.



- When the charge port door is open, make sure not to touch the push lifter. If it is pushed accidentally, the charge port door or connector lock may be unlocked.

If they are accidentally operated, carry an access key fob or unlock the doors, and then press the charge cable connector lock switch to unlock.

- If the charge port door does not open when using the normal procedure, it can be opened, refer to “Charge port door – if the charge port door cannot be opened” P387.
- If only the rear seat door is unlocked, the charge port door or charge cable may be locked/unlocked.
- The charge cable connector locking system operates even when the key-



less access function is not activated.

### ▽ Changing the charging connector lock settings

The method for locking and unlocking the charging connector can be changed as follows in the “Charge cable connector lock mode” settings on the multi-function display.

Setting	Operation description
“Manual lock (Default setting)”	The charging connector is locked and unlocked by pressing the charge cable connector lock switch when carrying the access key fob or after unlocking the doors.
“Auto lock”	The charging connector is automatically locked when the charging connector is connected.*1, *2
“Auto lock & Auto unlock”	The charging connector is automatically locked when the charging connector is connected and automatically unlocked when charging is completed.*1, *2, *3

\*1: Carrying the access key fob and unlocking the doors is not necessary.

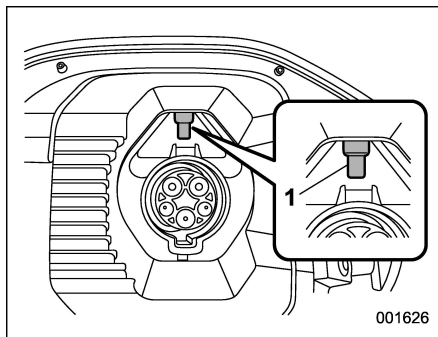
\*2: The charging connector can be locked and unlocked by similar operations to that of “Manual Lock”.

\*3: The charging connector will be unlocked if the power supply is interrupted after the charging connector is automatically locked.

For details on how to change the settings, refer to “Charge cable connector lock mode setting” ☞ P224.

### NOTE

- If the charge cable connector lock switch is operated repeatedly, the charge cable connector locking system may not work to protect the system. In this case, wait for a while before operating the switch again.
- The charge cable connector locking system does not guarantee to prevent theft of the charge cable, and is not necessarily effective for all the situations.



1) Connector lock pin

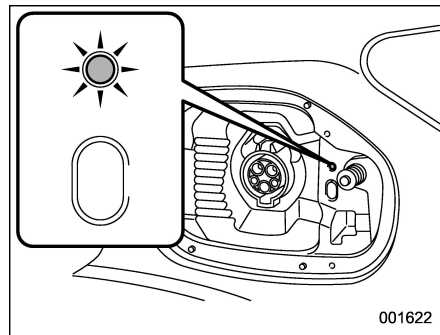
- **When the charging connector cannot be inserted into the charge port, check that the connector lock pin is not lowered.**

**If the connector lock pin is lowered, the**

connector lock is operating. Carry an access key fob or unlock the doors, and then press the charge cable connector lock switch to unlock the connector lock and check that the connector lock pin is not lowered.

- If the charging connector cannot be unlocked by pressing the charge cable connector lock switch even after carrying an access key fob or unlocking the doors, refer to “Charge port door – if the charge port door cannot be opened” ☞ P387.

### ■ Charging indicator



Charging indicator

The illumination/flashing pattern changes to inform the user of the charging status in the following ways.

Illumination/ flashing pat- tern	Vehicle condition
Illuminated	<ul style="list-style-type: none"> <li>● Charging is in progress</li> <li>● Charging is possible</li> <li>● Hybrid battery heating function is operating (Refer to "High voltage battery heating setting" ☞P223.)</li> <li>● The hybrid battery cooling function is operating (Refer to "High voltage battery cooling screen setting" ☞P221.)</li> </ul>
Flashes for approximately 15 seconds	When charge schedule is registered and charge cable is connected to vehicle (Refer to "Using the Remote Battery Charging Timer" ☞P57.)
Rapidly flashes for approximately 10 seconds	When charging cannot be carried out due to malfunction in a power source or the vehicle etc. (Refer to "When normal charging cannot be carried out" ☞P62.)
Not illuminated	<ul style="list-style-type: none"> <li>● Charging connector is not inserted into charge port</li> <li>● When Remote Battery Charging Timer is on standby</li> <li>● When charging is completed</li> </ul>

**NOTE**

When a system malfunction occurs while charging or using the remote climate control system, the charging indicator rapidly flashes for approxi-

mately 10 seconds and then turns off. If this occurs, the next time the hybrid system is started, a message will be displayed on the combination meter. When a message is displayed, follow the instructions displayed on the screen.

### ■ Charge cable

**WARNING**

Observe the following precautions when using the charge cable and Charging Circuit Interrupting Device. Failure to do so may cause an accident, resulting in death or serious injury.

- Do not attempt to disassemble or repair the charge cable, charging connector, plug or Charging Circuit Interrupting Device. If a problem arises with the charge cable or the Charging Circuit Interrupting Device, stop charging immediately and contact your SUBARU dealer.
- Do not subject the charge cable, charging connector, plug or Charging Circuit Interrupting Device to strong force or impact.

- Do not apply excessive force to the charge cable by forcefully folding, twisting, pulling or dragging the charge cable.
- Do not damage the charge cable with sharp objects.
- Do not fold the charging connector or the plug or insert foreign objects into them.
- Do not put the charging connector or the plug into water. If they are dropped into water, contact your SUBARU dealer.
- Do not bring the charge cable to a high-temperature item such as a heating device.
- Do not wrap the charge cable around the Charging Circuit Interrupting Device.

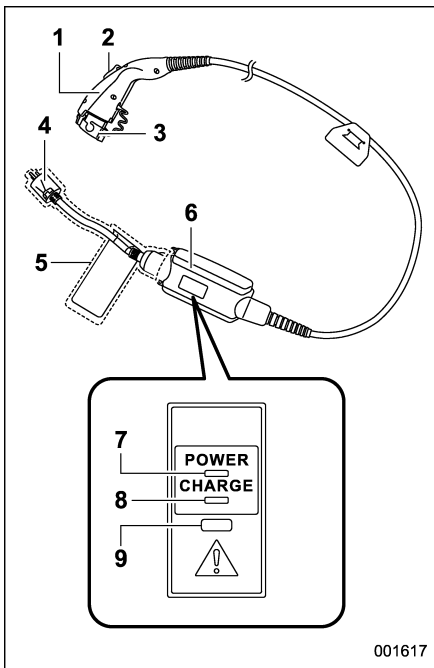
**CAUTION**

- To prevent damage to the charge cable and related parts, observe the following precautions.
  - When interrupting or canceling charging, remove the charging connector before removing the plug.
  - When removing the charge

cable, check that the charging connector is unlocked.

- Do not forcefully pull the charging connector cap.
  - Do not apply a vibration to the charging connector while charging. Charging may be stopped.
  - Do not insert anything but the charging connector into the charging port.
  - When inserting the plug into or removing the plug from the outlet, make sure to hold the body of the plug.
  - Do not forcefully pull the charge cable if it is caught or entangled. If the cable is entangled, disentangle it before using it.
  - When charging from the external device, use the charge cable equipped with the vehicle.
- **Precautions for low temperatures**  
In low temperatures, the charge cable and plug-cord may become hard. Therefore, make sure to not apply excessive force when they are hard. If excessive force is

applied to the hardened charge cable or the plug-cord, they may be damaged.



- 1) Charging connector
- 2) Latch release button
- 3) Charging connector cap

- 4) Plug
- 5) Plug-cord
- 6) Charging Circuit Interrupting Device
- 7) Power indicator (Refer to "Charging Circuit Interrupting Device indicator" P48.)
- 8) Charging indicator (Refer to "Charging Circuit Interrupting Device indicator" P48.)
- 9) Error warning indicator (Refer to "Charging Circuit Interrupting Device indicator" P48.)

#### ▼ Safety functions

The Charging Circuit Interrupting Device has the following safety features.

##### ● Electrical leakage detection function

If an electrical leakage is detected during charging, the power source will be automatically interrupted, thus preventing fires or electrical shocks caused by electrical leakage.

If the power source is interrupted, the error indicator flashes.

Refer to "When a malfunction occurs during charging" P48.

##### ● Automatic check function

This is an automatic system check that is run before charging begins to check for problems in the operation of the electrical leakage detection function.

If a malfunction is found in the electrical leakage detection function as a result of

the check, the error warning indicator will flash to inform the user. Refer to “When a malfunction occurs during charging” P48.

- **Temperature detection function**

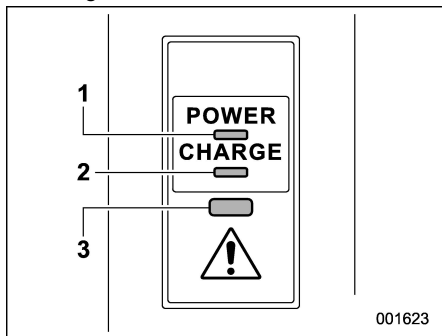
A temperature detection function is equipped to the plug. While charging, if heat is generated due to looseness on the outlet side, this function suppresses heat by controlling the charging current.

- **Conditions for supplying current to the vehicle**

The Charging Circuit Interrupting Device is designed to prevent electrical current from being supplied to the charging connector when it is not connected to the vehicle, even if the plug is inserted into the outlet.

### ▼ Charging Circuit Interrupting Device indicator

Three indicators are used to indicate the following conditions.



- 1) Power indicator (amber)
- 2) Charging indicator (green)
- 3) Error warning indicator (red)

- **Power indicator**

Illuminates when electricity is flowing to the Charging Circuit Interrupting Device.

- **Charging indicator**

Illuminates when charging is in progress.

- **Error warning indicator**

Flashes when there is electrical leakage or when a malfunction occurs in the Charging Circuit Interrupting Device.

### ▽ When a malfunction occurs during charging

The indicators on the Charging Circuit Interrupting Device use a combination of different statuses (not illuminated, illuminated or flashing) to inform the user of internal malfunctions.

When the error warning indicator is illuminated or flashing, temporarily remove the plug from the outlet and then reconnect it to check if the error indicator turns off.

If the error warning indicator turns off, charging is now possible.

If it does not turn off, perform the correction procedure in the following chart.

Status	Power indicator	Error warning indicator	Cause/Correction procedure
Normal	Illuminated	Not illuminated	—
Charging system error	Not illuminated	Not illuminated or illuminated	An electrical leakage is detected and charging is canceled, or there is a malfunction in the charge cable. <b>Contact your SUBARU dealer.</b>
	Illuminated	Flashes	
Plug temperature detection malfunction	Flashes	Flashes	There is a malfunction in the plug temperature detection part.*1 <b>Contact your SUBARU dealer.</b>
Plug temperature increase detection	Flashes	Not illuminated	An increase in the temperature of the plug is detected due to an improper connection between the outlet and plug.*2 <b>Contact your SUBARU dealer.</b>
Charge cable life span notice	Illuminated	Flashes	The number of charges using the charge cable is nearing the end of its usable life span. <b>Contact your SUBARU dealer.</b>
Charge cable life span	Illuminated	Illuminated	The number of charges using the charge cable has exceeded its usable number of charges. <b>Contact your SUBARU dealer.</b>

\*1: When this occurs, charging is carried out without a limited charging current.

\*2: When this occurs, charging is carried out with a limited charging current.

### ▼ Inspecting and maintaining the charge cable

For safety, inspect the charge cable on a routine basis.



#### WARNING

- **Check the following points regularly. Failure to do so may cause an unexpected accident, resulting in death or serious injury.**
  - **The charge cable, plug, charging connector, Charging Circuit Interrupting Device etc. have not been damaged**
  - **The outlet has not been damaged**
  - **The plug can be securely inserted into the outlet**
  - **The plug does not get extremely hot during use**
  - **The tip of the plug has not been deformed**
  - **The plug is not dirtied by dust etc.**

**Remove the plug from the outlet before inspecting it. If any abnormalities are found in the charge cable as a result of the inspection, immediately stop use**

and consult your SUBARU dealer.

- Never wash the charge cable with water. Fire or electric shock may occur during charging, possibly resulting in death or serious injury.

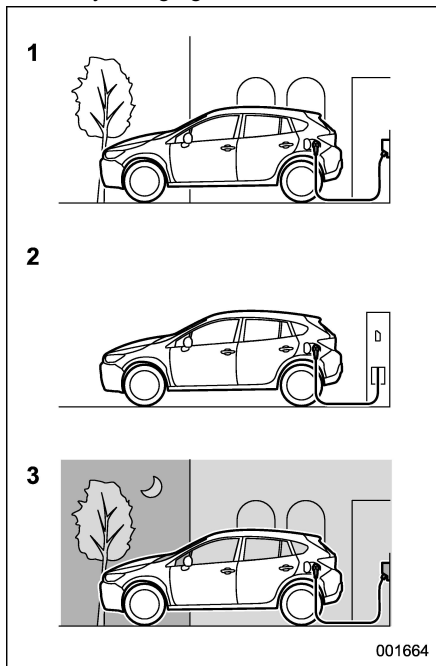
When the charge cable is dirty, first remove the dirt with a hand, wrung cloth, and then wipe the cable with a dry cloth.

- Remove the plug from the outlet when not using the charge cable for a long time. Dust could accumulate on the plug or in the outlet, possibly causing overheating which could lead to a fire. Also, keep the cable in a place free from moisture.

## ■ Charging tips for high voltage battery

### ▼ Tips for more effective charging

To enable EV driving, we recommend efficiently charging the vehicle as follows.



1. Before departure

In order to use EV driving, charge the high voltage battery before leaving. For details about how to charge, refer to “Charging from an external power source” P52. For details about how to set the Remote Battery Charging Timer, refer to “Using the Remote Battery Charging Timer” P57.

2. At the destination

Use a public charging station to charge the high voltage battery.

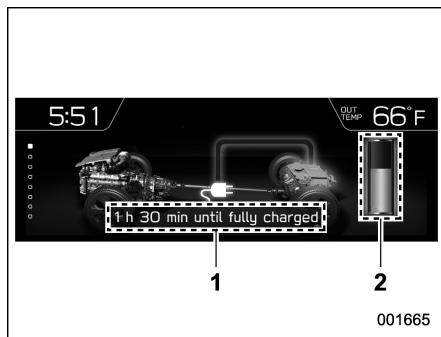
If there are no charging facilities, the high voltage battery can be charged using the Hybrid Battery Charge Mode.

3. After returning

In order to drive the next time, charge the high voltage battery.

### ▼ Checking information related to charging

Information related to charging can be displayed and checked on the multi-function display. It is also possible for SUBARU STARLINK subscribers to check the information using a smartphone.



### Charging screen

1. Remaining charging time
2. Hybrid Battery Charge Status

When the ignition switch is turned to ON during charging, the charging screen will display. The remaining charging time and current charging condition are displayed.

### NOTE

If approximately 100 seconds elapse after the ignition switch is turned to ON during charging, the ignition will automatically turn off and the display will also turn off.

### ▼ Estimated charging time

The time required to charge the high voltage battery differs according to the charging voltage and charging current.

Connected power source	Home power source	Public charging station
Charging voltage	AC 120 V	AC 240 V
Maximum charging current	12 A	16 A
Estimated charging time*	Approximately 5 hours	Approximately 2 hours

\*: The time required for charging to complete depends on conditions such as the remaining charge of the high voltage battery and the outside temperature.

### NOTE

- In the following situations, charging time may become longer than normal.
  - In very hot or very cold temperatures.
  - The vehicle is consuming a lot of electricity, for example, when the head lights and other features are on.
  - There is a power outage during charging.
  - There is an interruption in the electrical supply.
  - There is a drop in the voltage of the external power source.
  - The charge in the 12 V battery is low, for example due to the vehicle being left unused for a long period

of time.

- The maximum charging current is set to 8 A on the multi-function display. Refer to “Maximum charge current setting” P223.
- When the hybrid battery heating function operates. Refer to “High voltage battery heating setting” P223.
- When the hybrid battery cooling function operates before charging. Refer to “High voltage battery cooling screen setting” P221.
- The air conditioning-linked setting or remote climate control was used.

- DC Chargers cannot be used with this vehicle.

### ▼ Charging-linked functions

This vehicle is equipped with several functions that are linked with charging. Refer to “High voltage battery settings” P221.

## ■ Charging from an external power source



### WARNING

- Observe the following precautions for charging. Failure to do so may cause an accident, resulting in death or serious injury.
  - Connect to a power source suitable for charging. Refer to “Power sources that can be used” P39.
  - Check that the charge port, charge cable, plug and outlet are free of foreign matter.
  - Only use outlets where the plug can be securely inserted.
  - Do not charge with the charge cable coiled or bundled.
  - Do not coil the 120 V charge cable while in-use because the cable may overheat.
  - Failure to re-coil the charge cable when not in-use could result in strangulation or a tripping hazard.
  - Do not wash the vehicle while the charge cable is connected to the vehicle or the charge

port door is open.

- Do not touch the terminals of the charging connector and charge port with sharp metal objects (needles etc.) or by hand, or short them with foreign objects.
- When charging outdoors, make sure to connect to a weatherproof outlet for outdoor use.
- Do not insert the plug if the outlet is submerged in water or snow.
- Check that no snow, water or ice has accumulated around the charging connector terminals or the vehicle charge port while it is raining or snowing. Tap snow, water or ice gently from the connector prior to inserting the charging connector into the vehicle’s charge port.
- Do not connect the plug if your hands are wet. Also, do not get the plug or outlet wet.
- Do not charge the vehicle during a lightning storm.
- Do not park with the wheels on

the charge cable, plug, charging connector or Charging Circuit Interrupting Device.

- Firmly insert the plug into the outlet.
- Do not use an extension cord or converting adaptor.
- If the error warning indicator on the Charging Circuit Interrupting Device illuminates or flashes during charging, there may be an electrical leak in the power source path, or there may be a malfunction in the charge cable or Charging Circuit Interrupting Device. Refer to “When a malfunction occurs during charging” P48. If the error warning indicator does not turn off even after performing the correction procedure, immediately stop charging, remove the charge cable and contact your SUBARU dealer. Continuing to charge the vehicle in that condition may lead to accidents or serious injury.
- Remove the plug if it will not be used for a long time. Dirt and dust may accumulate in the plug or outlet, which could cause a malfunction or fire, possibly leading



to death or serious injury.

- Make sure to observe the following precautions regarding the charging equipment. Failure to observe these precautions may result in death or serious injury, such as burns or electric shocks.
  - The charging equipment is hot during charging. Do not touch the charging equipment, as doing so may result in burns.
  - Do not disassemble, repair or modify the charging equipment. When the charging equipment needs to be repaired, consult your SUBARU dealer.



### CAUTION

- Do not insert the plug into the charge port. The charge port may be damaged.
- After disconnecting the charging connector from the charge port, make sure to close the charge port door. Water or foreign objects may enter the charge port, which could lead to vehicle damage.

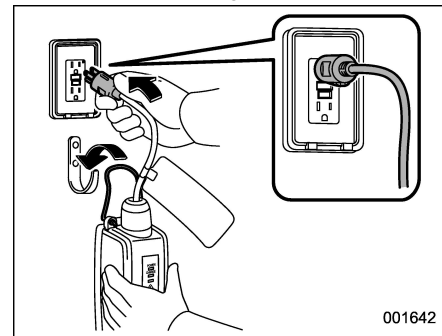
- If the charge port door is not locked, it may open if pushed.
- After removing the plug from the outlet, keep it in a safe place free from moisture and dust. The charge cable or plug may be damaged if the cable is stepped on or ridden over by the vehicle.
- Do not charge if the outside temperature is  $-22^{\circ}\text{F}$  ( $-30^{\circ}\text{C}$ ) or below, as it is likely that charging will take longer and equipment related to charging will be damaged.
- Do not leave the vehicle or the charge cable in areas where the outside temperature is lower than  $-40^{\circ}\text{F}$  ( $-40^{\circ}\text{C}$ ). The vehicle or charge cable will probably be damaged.
- Due to the environment in which the power equipment is located, charging may be unstable due to noise, the voltage may be insufficient, and the error warning indicator on Charging Circuit Interrupting Device of the charge cable may flash.

When using a public charging station, make sure to check the operation instructions on the charging station.

When the charge schedule is registered, make sure “Charge Now” is on the screen before charging. Refer to “Using the Remote Battery Charging Timer” P57.

### ▼ When charging

1. Prepare the charge cable.



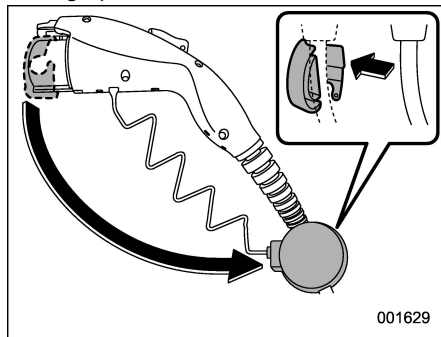
2. Insert the charge cable into the outlet of the external power source.

Check that the power indicator on the Charging Circuit Interrupting Device is illuminated.

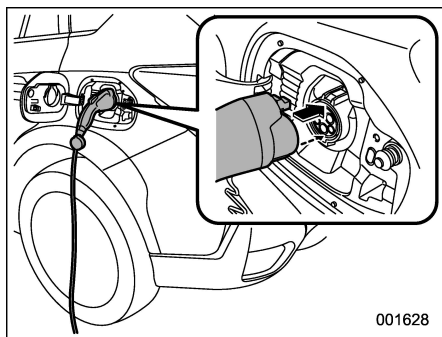
**NOTE**

In order to reduce the load on the outlet and plug, when inserting the plug, use a string to hang Charging Circuit Interrupting Device on a hook or an equivalent.

3. Open the charge port door. Refer to "Charge port door" P43.



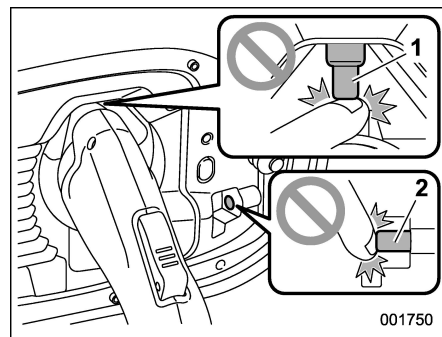
4. Remove the charging connector cap of the charging connector and secure it to the cable.



5. Insert the charging connector into the charge port.

Align the guide position on the bottom of the charging connector, and push the charging connector straight into the charge port as far as possible.

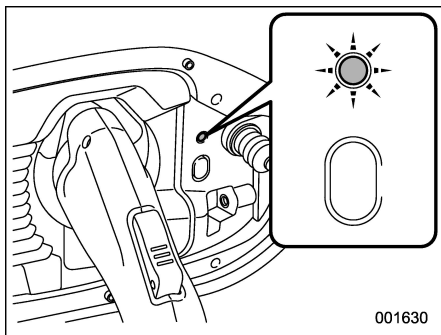
Once a click is heard, check that the charging connector is securely locked.



- 1) Connector lock pin
- 2) Charge port door lock pin

**⚠ WARNING**

Do not insert a hand into the connector lock portion and charge port door lock portion when connecting the charging connector to the charge port. When pushing the charge cable connector lock switch, a finger may be caught in the connector lock pin or the charge port door lock pin, resulting in an injury. Also pay attention that clothes do not become pinched or caught by the pin. If clothes are pinched or caught, push the charge cable connector lock switch to release the pin.



6. Confirm that the charging indicator illuminates.

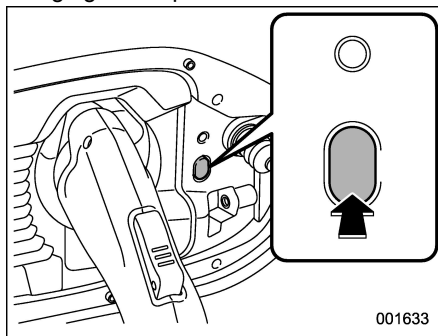
### NOTE

- During charging, the Driver Assist indicator at the top of the combination meter also blinks. This lighting can be turned off. Refer to “Driver Assist Indicator” P207.
- If the charging indicator does not illuminate when the charging connector is inserted, refer to “When normal charging cannot be carried out” P62.
- If the charging indicator blinks after connecting the charge cable, the charge schedule is registered and charging cannot be performed immediately. To cancel the timer and start charging immediately, perform any of

the following procedures.

- Turn “Charge Now” on. Refer to “Setting the Remote Battery Charging Timer” P58.
- While the charging indicator is blinking, remove and reconnect the charging connector within 5 seconds.
- If the error warning indicator on Charging Circuit Interrupting Device flashes during charging, refer to “When a malfunction occurs during charging” P48.

The charging indicator will turn off when charging is completed.



7. To lock the charging connector, carry an access key fob and press the charge cable connector lock switch.

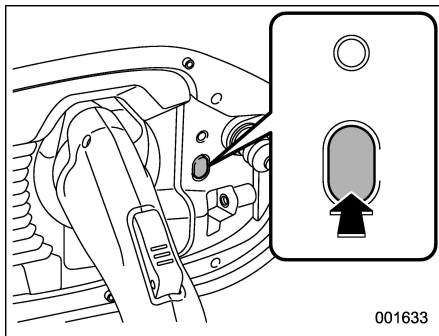
### NOTE

- After the charging connector is locked, the charging connector cannot be unlocked by pressing the charge cable connector lock switch.
- When the charge cable is connected to the charge port, the driver assist indicator will indicate the charging status by illuminating and blinking.
- If the latch release button is pressed, charging will not begin even if the charge cable is connected.

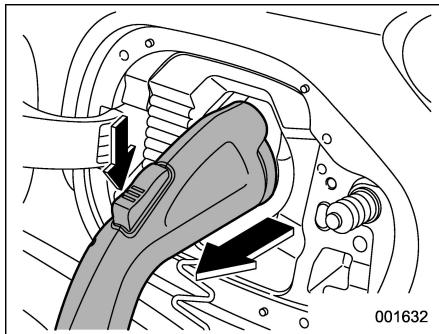
Also, charging will be stopped when the latch release button is pressed and held for several seconds during charging. To restart charging, reinsert the charging connector after pulling it out and check that the charging indicator illuminates.

- The surface of Charging Circuit Interrupting Device may become hot during charging, but this does not indicate a malfunction.
- Depending on radio wave conditions, interference may be heard on the radio during charging.
- When the charging connector cannot be inserted into the charge port, refer to “Changing the charging connector lock settings” P45.

## ▼ After charging



1. If the charging connector is locked, carry an access key fob and press the charge cable connector lock switch to unlock it.

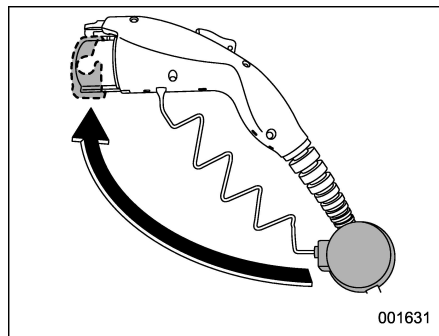


2. Pull the charging connector towards

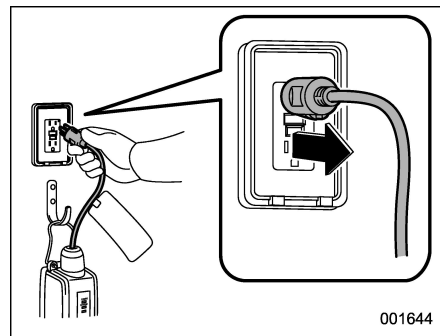
you while pressing the latch release button.

**NOTE**

- If the charging connector is disconnected during charging, charging will be interrupted.
- If the cable cannot be pulled out, refer to “Charge cable – if the charge cable cannot be removed” P388.



3. Attach the charging connector cap.
4. Close the charge port door.



5. Remove the plug from the outlet when the charging device is not being used.

**NOTE**

- Hold the body of the plug when removing.
- When leaving the plug inserted, inspect the plug and connector once a month to check if dirt or dust has accumulated.
- The remaining charge level shown on the Hybrid Battery Charge Status may drop slightly when the ignition switch is turned to ON depending on the outside temperatures, even if charging has been completed. However, this does not indicate a malfunction.

## ■ Using the Remote Battery Charging Timer

Charging can be carried out at the desired time by registering the charge schedule. Also, it is possible to set the timer to one's preferences, such as having charging complete by a certain departure time or be carried out at the same time on certain days.

### NOTE

● Check the following items to make sure that the Remote Battery Charging Timer operates correctly.

- Adjust the clock to the correct time. Refer to “Clock” ☞P228.
- Check that the ignition switch is turned off
- After registering the charge schedule, connect the charge cable. The charging start time is determined based on the charge schedule at the time that the charge cable was connected.
- After connecting the charge cable, check that the charging indicator blinks. Refer to “Charging indicator” ☞P45.
- Do not use an outlet that has a power cut off function. Use an outlet that constantly supplies electricity. For outlets where the power is cut

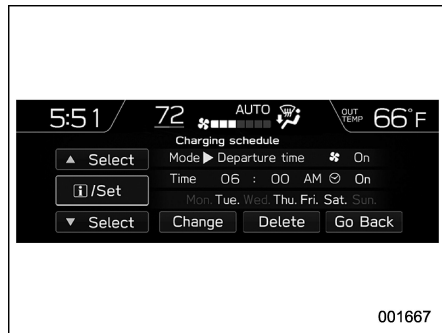
off due to a timer function, charging may not be carried out according to plan if the power is cut off during the set time.

- Even if multiple consecutive charge schedules are registered when the charge cable remains connected to the vehicle, the next charge will not be carried out according to the timer until the charge cable is removed and re-connected after charging completes. Also, when the high voltage battery is fully charged, charging according to the timer will not be carried out.
- When the following operations are performed while Remote Battery Charging Timer is on standby, the timer is temporarily canceled and charging is started immediately.
  - The remote climate control system is operated. Refer to “Remote climate control system” ☞P158.
  - “Charge Now” is turned on. Refer to “Setting the Remote Battery Charging Timer” ☞P58.
  - An operation temporarily cancels charging using the timer. Refer to “When charging” ☞P53.
- When the charging mode is set to “Departure time”, timer settings may be ignored due to the outside temperature, and charging may start immediately.

● When charging is carried out using the timer, the hybrid battery cooling function may operate according to the temperature of the high voltage battery. For details about “High voltage battery cooling screen” setting, refer to “High voltage battery cooling screen setting” ☞P221.

- The charging mode is set to “Start time”, cooling starts at the set charging start time.
- The charging mode is set to “Departure time”, cooling starts approximately 30 minutes before the charging starts. However, if there is no time to finish charging by the set time, the high voltage battery cooling time may be shortened and the hybrid battery cooling function may not operate.

## ▼ Settings of the Remote Battery Charging Timer



### Setting screen

When registering the charge schedule, the following settings can be changed on the multi-function display.

### ▽ Charging mode setting

One of the two following charging modes can be selected.

Charging mode	Description
"Start time"	Starts charging at the set time and finishes charging when fully charged.*1
"Departure time"	Starts charging to finish at the set time.*2

\*1: There might be a slight variation in the timing when charging starts due to the state of the

high voltage battery.

\*2: When this setting is selected, the air conditioning-linked setting can be used.

### ▽ Repeated setting

The periodic timer charging can be set by selecting the day of the week.

### ▽ Air conditioning-linked setting

When the charging mode is set to "Departure time", the climate control system can be set to automatically operate according to the set time. Operation starts approximately 10 minutes before the set departure time.

By adjusting the cabin temperature in advance, passengers can enjoy a pleasant interior immediately after entering the vehicle.

## NOTE

● **When the air conditioning-linked setting is turned on, the climate control operates until the set departure time. Therefore, the climate control will consume electricity and charging may not complete by the set departure time.**

● **If the high voltage battery is fully charged, charging will not be carried out even if the charge schedule is set. However, if air conditioning-linked setting is turned on, the air conditioning will operate only once when it nears the time set in "Departure time". If this**

occurs, the air conditioning will consume electricity and the remaining charge of the high voltage battery when departing may be decreased.

● **The air conditioning-linked setting will not operate when the doors are not locked.**

### ▽ Remote Battery Charging Timer on/off setting

The Remote Battery Charging Timer can be turned on or off.

### ▽ "Charge Now" on/off setting

If even one charge schedule is registered, charging does not start until the set time, even if the charge cable is connected to the vehicle. To start charging immediately without changing the charge schedule setting, turn on to temporarily cancel the charge schedule and enable charging immediate after connecting the charge cable.

## ▼ Setting the Remote Battery Charging Timer



### WARNING

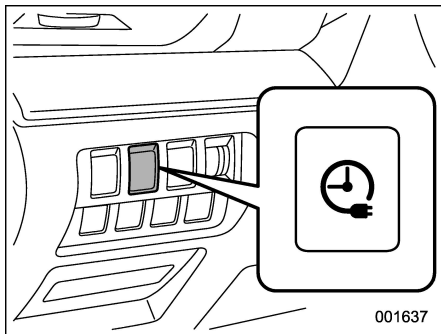
When setting the Remote Battery Charging Timer with the hybrid system on, ensure that the vehicle is parked in a place with adequate

ventilation. In a closed area such as a garage, exhaust gases including harmful carbon monoxide (CO) may collect and enter the vehicle. This may lead to death or a serious health hazard.

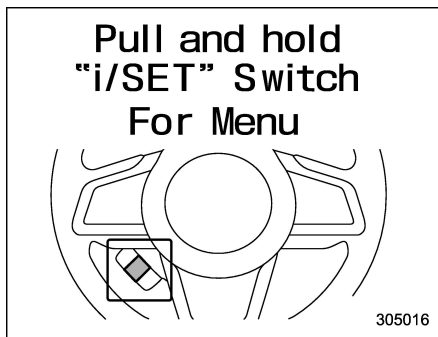
**CAUTION**

When setting the Remote Battery Charging Timer with the hybrid system off, the 12 V battery will be discharged.

1. Turn the ignition switch to “ON” or “ACC”.

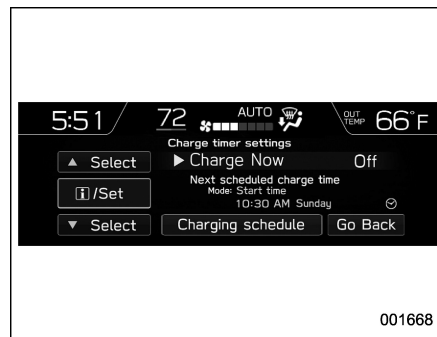


2. Press the timer charging setting switch in the instrument panel.



**NOTE**

When the combination meter display (color LCD) is displaying the menu screen entering screen, the system will not move to the charge timer settings screen even if the timer charging setting switch is pressed.



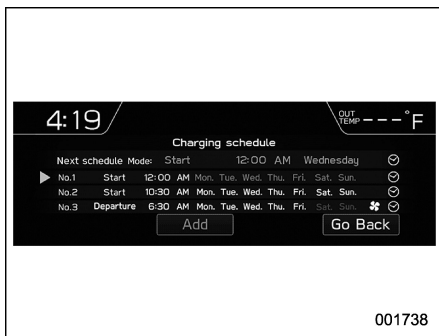
**Charge timer settings**

3. Set “Charge Now” to “Off” for timer charging.

**NOTE**

- If no timer charging setting is registered, “Charge Now” cannot be selected.
- When timer charging is scheduled, then “Next scheduled charge time” is displayed when “Charge Now” is turned off.
- As long as the charge cable is not unplugged, the “Next scheduled charge time” display is not updated even when charging is completed.

4. Select “Charging schedule”.

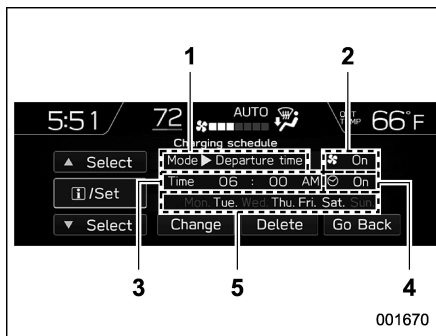


Charging schedule screen

5. Select “Add” to add a new timer charging setting.  
To change an existing setting, select the setting to change.

**NOTE**

- The registered charging schedules can be checked on this screen.
- A maximum of 3 charge schedules can be registered.



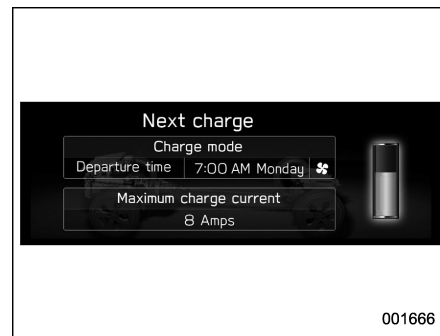
- 1) Charging mode setting
- 2) Air conditioning-linked setting
- 3) Time setting
- 4) Remote Battery Charging Timer on/off setting
- 5) Desired day setting

6. Set each item.

Setting items	Description
Charging mode setting	Start time: Starts charging at the set time and finishes charging when fully charged.
	Departure time: Starts charging to finish at the set time.
Air conditioning-linked setting	Set the air conditioning-linked setting to on or off. For details, refer to “Settings of the Remote Battery Charging Timer” P58.

Setting items	Description
Time setting	Set the charging start time or departure time.
Remote Battery Charging Timer on/off setting	Set the charging timer to on or off.
Desired day setting	Set the day of the week when the charging timer starts.

7. When “Set” is selected, the schedule will be set. If the schedule is already set, select “Change” to set the changed schedule. To delete the setting of the schedule, select “Delete”. Select “Go Back” to return to the previous screen.





**NOTE**

- It is possible to check the next charge schedule when the ignition switch is turned to the “OFF” position.
- The Remote Battery Charging Timer setting can also be registered from “Charge timer settings” on the multi-function display. Refer to “Charge timer settings” P223.
- The timer charging setting switch cannot be used while driving.
- When the vehicle is in the following conditions, the Remote Battery Charging Timer setting operations are canceled.
  - A message is displayed while performing a setting operation
  - The ignition switch is operated before the settings are confirmed
  - The vehicle starts off
- SUBARU STARLINK subscribers can also set the Remote Battery Charging Timer from a smartphone. Refer to the Owner’s Manual supplement for SUBARU STARLINK Safety and Security.

**■ Display when charging is completed**

Regardless of the type of power source or whether the Remote Battery Charging Timer is used, if the charging indicator has turned off, then charging was completed correctly.

**NOTE**

A message is not displayed on the combination meter when charging is completed normally.

## HS-6. Troubleshooting

### ■ When normal charging cannot be carried out

Symptom	Likely cause	Correction procedure
The power source indicator on Charging Circuit Interrupting Device does not illuminate, even though the plug is connected to an external power source.	The plug is not properly connected to the outlet.	Check that the plug is properly connected to the outlet.
	Power is out.	After power is restored, carry out the charging procedure again.
	The building breaker is tripped and power is cut off.	Check that the breaker is connected and if there is no malfunction, check if the vehicle can be charged through another outlet. If charging is possible, the first outlet may have a malfunction. Contact the building or facility manager, or an electrician.
	There is a short circuit or open circuit between the Charging Circuit Interrupting Device and the plug.	Immediately stop charging and contact your SUBARU dealer.
The error warning indicator on Charging Circuit Interrupting Device flashes.	The electrical leakage detection function or self-diagnostic function operates and power is cut off.	When the voltage is insufficient, the error warning indicator may flash when there is noise interference. Perform a reset and connect to a proper power source. Refer to "When a malfunction occurs during charging" P48. If charging does not start, immediately stop charging and contact your SUBARU dealer.
The charging indicator does not illuminate, even though the charging connector is connected.	The plug is not properly connected to the outlet.	Check whether the plug is properly connected to the outlet.
	The charging connector is not securely connected to the charge port.	Check the connection status of the charging connector. If the charging indicator does not illuminate, even though the charging connector is securely connected, there may be a malfunction in the system. Immediately stop charging and contact your SUBARU dealer.
	The high voltage battery is already fully charged.	When the high voltage battery is fully charged, charging is not performed.
	The charging equipment does not operate.	Please contact the facility manager when there is a problem with charging equipment.

Symptom	Likely cause	Correction procedure
The charging indicator flashes and charging cannot be carried out.	When charging indicator slowly flashes*: Charge schedule is registered.	When you wish to charge according to the timer, wait until the set time. To immediately start charging, set "Charge Now" to "On". Refer to "Setting the Remote Battery Charging Timer" P58. Or, while the charging indicator is flashing, remove and reconnect the charging connector within 5 seconds.
	When charging indicator rapidly flashes*: Malfunction occurred in an external power source or the vehicle.	Start the hybrid system and follow the instructions displayed by the message on the combination meter display (color LCD).

\*: For details regarding charging indicator illumination and flashing, refer to "Charging indicator" P45.

### ■ When the Remote Battery Charging Timer does not operate normally

Symptom	Likely cause	Correction procedure
Cannot charge at desired time.	The vehicle clock is not properly adjusted.	Check the clock settings and adjust it to the proper time. Refer to "Clock" P228.
	The charge cable is not connected to vehicle.	Before using the charging timer, connect the charge cable.
	An incorrect charging mode was selected.	Check the charging mode setting. Refer to "Using the Remote Battery Charging Timer" P57. When the charging mode is "Start time", charging starts at the set time, but when it is "Departure time", charging is completed by the set time. (The charging start time is automatically controlled by the system.)
Cannot change timer setting from smartphone application*.	The smartphone is outside its coverage area.	Check the signal strength. If the smartphone is outside its coverage area, move to a place with a better signal.

Symptom	Likely cause	Correction procedure
Charging starts immediately, even though charge schedule is registered.	"Charge Now" is set to "On".	When charging according to the timer, set "Charge Now" to "Off". Refer to "Setting the Remote Battery Charging Timer" <a href="#">P58</a> .
	The charge schedule is set to "Off".	Check that charge schedule is not set to "Off". Refer to "Setting the Remote Battery Charging Timer" <a href="#">P58</a> .
	The charging mode is set to "Departure time" and the schedule departure time is close to current time.	When the system determines that there is no time to finish charging by the set scheduled departure time, it starts charging immediately. Check the charge schedules.
	The charge cable was removed and reinserted while the charging indicator was flashing.	If the charge cable is removed and reinserted while the charging indicator is flashing, the charging timer is canceled. Temporarily remove the charge cable, and then reconnect it.
	The remote climate control system was operated.	When the remote climate control system is operated, the system will start charging immediately, even if the charge schedule is registered. To carry out charging using the timer, stop the remote climate control system, and then reconnect the charge cable.
	"Hybrid system battery heating setting" operated.	When the charging mode is set to "Departure time", "hybrid battery heating function" may operate before charging starts. Check the status of the charging indicator. Refer to "Charging indicator" <a href="#">P45</a> .
Charging ends earlier than time set in "Departure time".	The charging end time does not match the estimated end time due to the condition of the power source or the outside temperature.	If sudden changes in temperature or changes in the condition of the power source occur while charging, charging may end earlier than the time estimated by the system.
Charging is not complete, even though it is time set in "Departure time".	The air conditioning-linked setting is set to on.	When air conditioning-linked setting is set to on, the air conditioning operates until the set departure time. Therefore, charging may not complete by the set time due to charging conditions. To have the high voltage battery fully charged, allow charging to continue.
	The charging end time does not match the estimated end time due to the condition of the power source or the outside temperature.	If sudden changes in temperature or changes in the condition of the power source occur while charging, charging may not end exactly at the time estimated by the system.

Symptom	Likely cause	Correction procedure
Charging does not start, even though it is time set in "Start time".	The charge cable was connected after the set time.	Connect the charge cable before the time set in "Start time".

\*: To access remote charging functionality, a MySubaru account is required. To create a MySubaru account, visit [www.mysubaru.com](http://www.mysubaru.com) and select "Create an Account". The MySubaru Mobile Application can be downloaded through the applicable device App Store. For more information, visit <https://www.subaru.com/vehicles/crosstrek/hybrid.html>.

### ■ When charging-related message is displayed

When the hybrid system is started after charging, a message is displayed in the combination meter display (color LCD). When this occurs, follow the instructions displayed on the screen.

Symptom	Likely cause	Correction procedure
If "Charging stopped: Check cable Check owners manual" is shown.	The charging connector is not securely connected.	Check the connection status of the charging connector. If charging cannot be carried out, even though the proper procedures were followed, have the vehicle inspected by your SUBARU dealer.
	The latch release button of the charging connector was pressed while charging.	When the latch release button is pressed while charging, charging stops. To continue charging, reconnect the charging connector.
If "Charging stopped: Battery temp Check owners manual" is shown.	Charging was stopped to protect the high voltage battery as it continued to remain hot for a certain period of time.	Allow the high voltage battery to cool down and perform charging again if the charging amount has not reached the desired amount.

Symptom	Likely cause	Correction procedure
If "Charging stopped: Unplugged/power failure" is shown.	There is a problem in the power supply from the external power source.	Check the following items. <ul style="list-style-type: none"> <li>● The plug is not disconnected.</li> <li>● The power source indicator on Charging Circuit Interrupting Device is illuminated.</li> <li>● The circuit breaker has tripped or not.</li> </ul> If there is no problem with any of the above items, there may be a problem with the outlet. Contact an electrician and request an inspection. Furthermore, if the error warning indicator on Charging Circuit Interrupting Device is flashing, there may be an electrical leakage. Consult your SUBARU dealer.
	The charging equipment has stopped charging.	<ul style="list-style-type: none"> <li>● Charging may be canceled by an interruption of power supply depending on specifications of a charging equipment. Refer to the instructions provided with the charging equipment.                             <ul style="list-style-type: none"> <li>– When charging is stopped using the charging equipment</li> <li>– Equipment with timer charging function</li> <li>– Equipment that is not compatible with the timer charging function of the vehicle</li> </ul> </li> <li>● Check if it is possible to charge with the charge cable equipped to the vehicle.                              If charging cannot be carried out, even when using the genuine charge cable, consult your SUBARU dealer.</li> </ul>
If "Charging stopped: Low voltage" is shown.	The charging equipment is not compatible with the vehicle.	Check if it is possible to charge with the charge cable equipped to the vehicle. If charging cannot be carried out, even when using the genuine charge cable, consult your SUBARU dealer.
	The charging equipment has stopped charging.	

Symptom	Likely cause	Correction procedure
If "Charging stopped: Check cable" is shown.	There is a problem in the power supply from the external power source.	Check the following items. <ul style="list-style-type: none"> <li>● The plug is securely inserted.</li> <li>● The extension cord is not used and outlet is not overloaded.</li> <li>● Connected to a dedicated power line</li> <li>● Electrical leakage has occurred or not.</li> </ul> There may be a problem with the outlet of the building. Contact an electrician to request an inspection. If charging cannot be carried out, even though there is no problem with the power source path, there may be a malfunction in the system. Have the vehicle inspected by your SUBARU dealer.
	The charging equipment has stopped charging.	Check if it is possible to charge with the charge cable equipped to the vehicle. If charging cannot be carried out, even when using the genuine charge cable, consult your SUBARU dealer.
If "Charging stopped: Excessive power usage Check owners manual" is shown.	The power is being consumed by the electrical components of vehicle.	Check the following items, and then carry out charging again. <ul style="list-style-type: none"> <li>● If the headlights and audio are turned on, turn them off.</li> <li>● Turn the ignition switch off.</li> </ul> If charging cannot be carried out, even after performing the above, the 12 V battery may not be sufficiently charged. Operate the hybrid system for approximately 15 minutes or more to charge the 12 V battery.
If "Charging stopped: system Check owners manual" is shown.	A malfunction occurred in charging system.	Have the vehicle inspected by your SUBARU dealer.

## ■ When other message is displayed

Messages related to the high voltage battery are displayed on the combination meter display (color LCD). When this occurs, follow the instructions displayed on the screen.

Symptom	Likely cause	Correction procedure
If "Hybrid System Overheated. Reduced Output Power." is shown.	The message may be shown when driving under severe operating conditions. For example, when driving up a long steep hill or driving up a steep hill in reverse.	The hybrid system may be overheated. Refer to "Engine and hybrid system overheating" ☞ P378.
If "Shift out of N to recharge" is shown.	The message is displayed when the remaining charge for the high voltage battery is low.	As the high voltage battery cannot be charged when the select lever position is in "N", when stopped for long periods of time shift the select lever position to "P".
If "Press brake Shift to P Restart engine" is shown.	Message is displayed when the remaining charge for the high voltage battery is low, because the vehicle has been shifted to "N" for a long period of time.	When operating the vehicle, shift to "P" and restart the hybrid system.
If "Hybrid system may overheat" is shown.	The message may be shown when the accelerator pedal is depressed to hold the vehicle while the vehicle is stopped on an uphill, etc.	Release the accelerator pedal and depress the brake pedal.
If "Have high voltage battery inspected at retailer" is shown.	The high voltage battery is scheduled to be inspected or replaced. If you continue to drive the vehicle without having the battery inspected, the hybrid system will eventually no longer start.	Have the vehicle inspected by your SUBARU dealer.



# Seat, seatbelt and SRS airbags

1-1. Seats .....	70	Where to place a child restraint system .....	94
Safety tips .....	70	Choosing a child restraint system .....	96
Front seats .....	73	Installing child restraint systems with ALR/ELR seatbelt .....	96
Rear seats .....	74	Installing a booster seat .....	100
Head restraints .....	75	Installation of child restraint systems by use of lower and tether anchorages (LATCH) ....	101
1-2. Seat heater .....	78	Top tether anchorages .....	104
Safety precautions .....	78	1-6. SRS airbag (Supplemental Restraint System airbag) .....	106
Operation .....	78	General precautions regarding SRS airbag system .....	106
1-3. Seatbelts .....	79	General precautions regarding SRS airbag system for accessories and any objects .....	108
Seatbelt safety tips .....	79	General precautions regarding SRS airbag system and children .....	110
Emergency Locking Retractor (ELR) .....	81	Components .....	113
Automatic Locking Retractor/Emergency Locking Retractor (ALR/ELR) .....	81	SUBARU advanced frontal airbag system .....	115
Seatbelt warning light and chime .....	81	SRS side airbag and SRS curtain airbag .....	127
Fastening the seatbelt .....	81	SRS airbag system monitors .....	135
Seatbelt maintenance .....	87	SRS airbag system servicing .....	136
1-4. Seatbelt pretensioners .....	87	Precautions against vehicle modification .....	137
Seatbelt with shoulder belt pretensioner .....	88	How to contact the vehicle manufacturer concerning modifications for persons with disabilities that may affect the advanced airbag system .....	138
Seatbelt with shoulder belt and lap belt pretensioners .....	89		
System monitors .....	91		
System servicing .....	91		
Precautions against vehicle modification .....	91		
1-5. Child restraint systems .....	92		
Safety tips for installing child restraint systems .....	93		

## 1-1. Seats

### ■ Safety tips

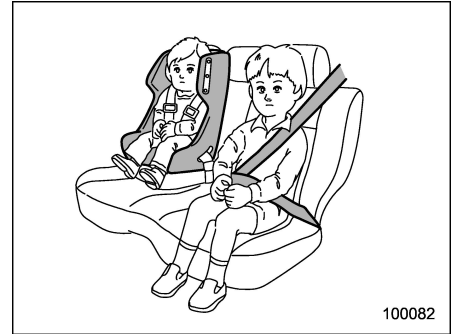
#### ▼ Safety tips for seat

#### ⚠ WARNING

- Never adjust the seat while driving to avoid loss of vehicle control and personal injury.
- Before adjusting the seat, make sure the hands and feet of rear seat passengers and cargo are clear of the adjusting mechanism.
- After adjusting the seat, move it back and forth to make sure it is securely locked. If the seat is not securely locked, it may move or the seatbelt may not operate properly.
- Do not put objects under the front seats. They may interfere with front seat locking and cause an accident.
- Seatbelts provide maximum restraint when the occupant sits well back and upright in the seat. To reduce the risk of sliding under the seatbelt in a collision, the front seatbacks should be

always used in the upright position while the vehicle is running. If the front seatbacks are not used in the upright position in a collision, the risk of sliding under the lap belt and of the lap belt sliding over the abdomen will increase, and both can result in serious internal injury or death.

- The SRS airbags deploy with considerable speed and force. Occupants who are out of proper position when the SRS airbag deploys could suffer very serious injuries. Because the SRS airbag needs enough space for deployment, the driver should always sit upright and well back in the seat as far from the steering wheel as practical while still maintaining full vehicle control and the front passenger should move the seat as far back as possible and sit upright and well back in the seat.



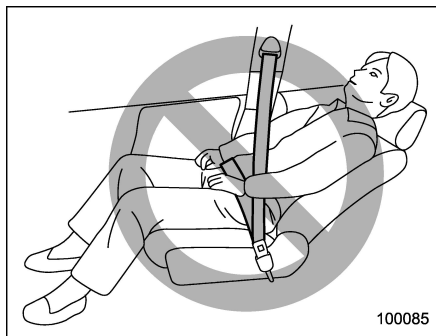
#### ⚠ WARNING

Place children in the rear seat properly restrained at all times. The SRS airbag deploys with considerable speed and force and can injure or even kill children, especially if they are not restrained or improperly restrained. Because children are lighter and weaker than adults, their risk of being injured from deployment is greater. For that reason, we strongly recommend that ALL children (including those in child seats and those that have outgrown child restraint devices) sit in the REAR seat properly restrained at all times in a child restraint device or in a seatbelt, whichever is appropriate

for the child's age, height and weight. Secure ALL types of child restraint devices (including forward facing child seat) in the REAR seats at all times.

**NEVER INSTALL A CHILD SEAT IN THE FRONT SEAT. DOING SO RISKS SERIOUS INJURY OR DEATH TO THE CHILD BY PLACING THE CHILD'S HEAD TOO CLOSE TO THE SRS AIRBAG.**

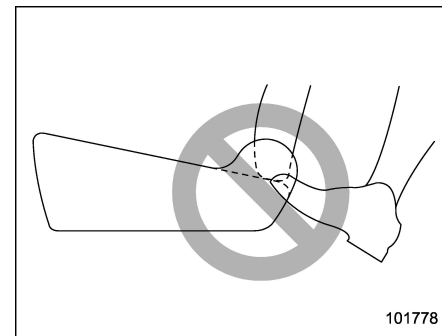
According to accident statistics, children are safer when properly restrained in the rear seating positions than in the front seating positions. For instructions and precautions concerning child restraint systems, refer to "Child restraint systems" P92.



100085

**⚠ WARNING**

To prevent the passenger from sliding under the seatbelt in the event of a collision, always put the seatback in the upright position while the vehicle is in motion. Also, do not place objects such as cushions between the passenger and the seatback. If you do so, the risk of sliding under the lap belt and of the lap belt sliding up over the abdomen will increase, and both can result in serious internal injury or death.

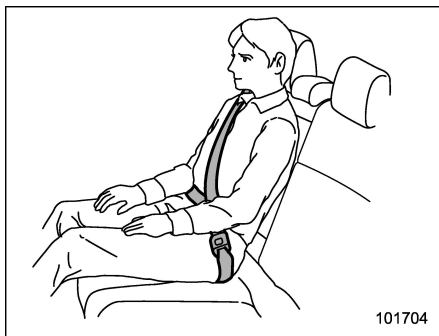


101778

**⚠ WARNING**

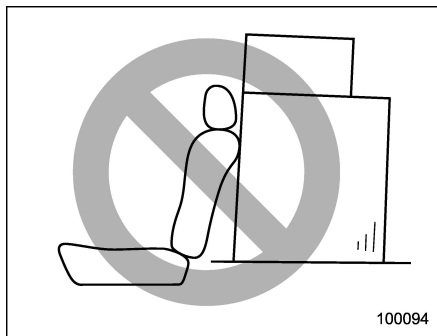
Do not let rear passengers rest their feet between the front seatback and seat cushion. Doing so may lead to defective operation of the following systems and could result in serious injury.

- Occupant detection system
- SRS side airbag
- Seat heater
- Power seat (driver's seat)



**⚠ WARNING**

Seatbelts provide maximum restraint when the occupant sits well back and upright in the seat. Do not put cushions or any other materials between occupants and seatbacks or seat cushions. If you do so, the risk of sliding under the lap belt and of the lap belt sliding up over the abdomen will increase, and both can result in serious internal injury or death.



**⚠ WARNING**

Never stack luggage or other cargo higher than the top of the seatback because it could tumble forward and injure passengers in the event of a sudden stop or accident.

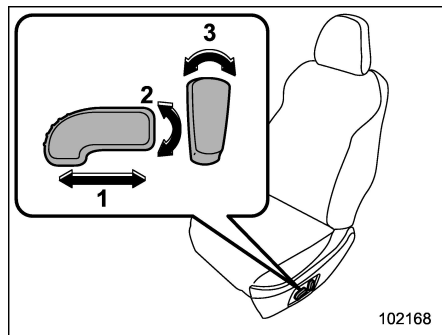
▼ Safety tips for head restraint

**⚠ WARNING**

- Never drive the vehicle with the head restraints removed because they are designed to reduce the risk of serious neck injury in the event that the vehicle is struck from the rear. Also, never install the head restraints the opposite way round. Doing so will prevent the head restraints from functioning as intended. Therefore, when you remove the head restraints, you must reinstall all head restraints correctly to protect vehicle occupants.
- All occupants, including the driver, should not operate a vehicle or sit in a vehicle's seat until the head restraints are placed in their proper positions in order to minimize the risk of neck injury in the event of a crash.

## ■ Front seats

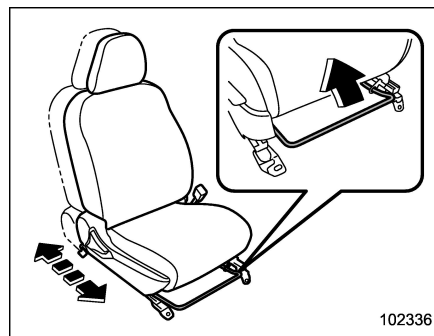
### ▼ Power seat (driver's seat)



- 1) **Seat position forward/backward control switch**  
To adjust the seat forward or backward, move the control switch forward or backward. During forward/backward adjustment of the seat, you cannot adjust the seat cushion height.
- 2) **Seat height control switch**  
To adjust the seat height, pull up or push down the rear end of the control switch.
- 3) **Seatback angle (reclining) control switch**  
To adjust the angle of the seatback, move the control switch.

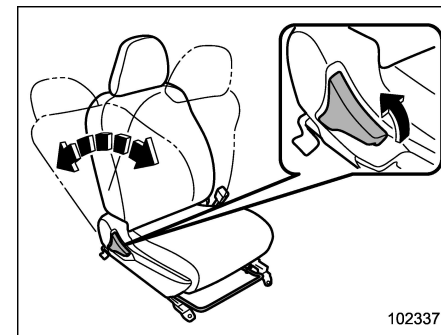
### ▼ Manual seat (passenger's seat)

#### ▽ Forward and backward adjustment



Pull the lever upward and slide the seat to the desired position. Then release the lever and try to move the seat back and forth to make sure that it is securely locked into place.

#### ▽ Reclining the seatback

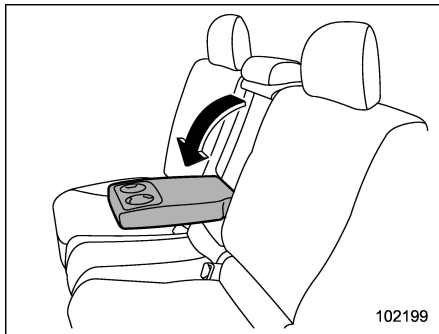


Pull the reclining lever up and adjust the seatback to the desired position. Then release the lever and make sure the seatback is securely locked into place.

The seatback placed in a reclined position can spring back upward with force when the lever is pulled. While operating the lever to return the seatback, hold the seatback lightly so that it may be raised back gradually.

## ■ Rear seats

### ▼ Armrest



To lower the armrest, pull on the top edge of the armrest.

#### ⚠ WARNING

To avoid serious injury, passengers must never be allowed to sit on the center armrest.

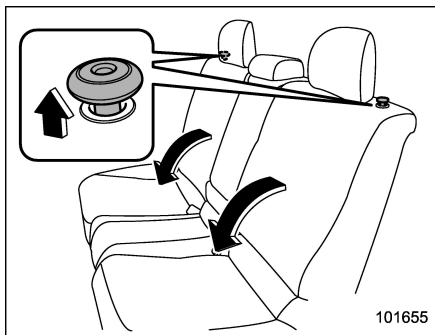
### ▼ Folding down the rear seatback

#### ⚠ WARNING

- When you fold down the seatback, check that there are no passengers or objects on the rear

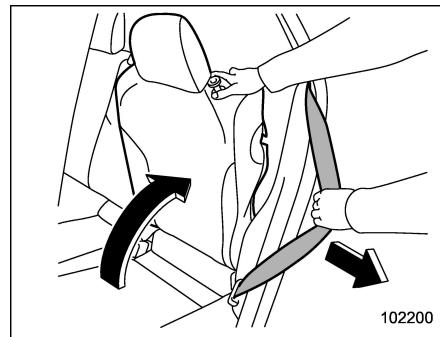
seat. Not doing so creates a risk of injury or property damage if the seatback suddenly folds down.

- Never allow passengers to ride on the folded rear seatback or in the cargo area. Doing so may result in serious injury or death.
- Secure all objects and especially long items properly to prevent them from being thrown around inside the vehicle and causing serious injury during a sudden stop, a sudden steering maneuver or a rapid acceleration.



Unlock the seatback by pulling the lock release knob and then fold the seatback down.

### ▼ Return the rear seatback

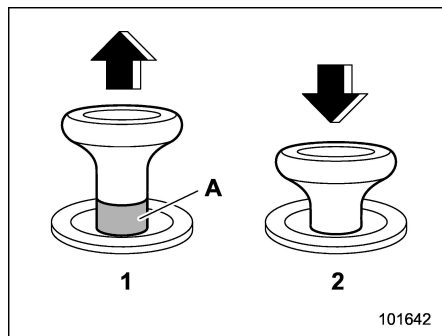


#### ⚠ WARNING

When returning the seatback to its original position, observe the following precaution.

Failure to observe the precaution may damage the seatbelt, impairing its effectiveness, and possibly result in a serious injury.

- When returning the seatback to its original position, pull the seatbelt out towards the vehicle exterior so that it will not be caught between the seatback and the trim.



#### Lock release knob

- 1) Unlocked
  - 2) Locked
- A) Unlocking marker in red

To return the seatback to its original position, raise the seatback until it locks into place and make sure that the unlocking marker on the lock release knob is no longer visible.

#### WARNING

When you return the seatback to its original position, check that the unlocking marker on the lock release knob is not visible. Also, move the seatback back and forth to confirm that it is securely fixed in place. If the seatback is not securely fixed in place, the seatback may

suddenly fold down in the event of sudden braking, or objects may move out from the cargo area, which could cause serious injury or death.

### ■ Head restraints

#### WARNING

The front seat head restraints are designed to be installed into the front seats only. The rear seat head restraints are designed to be installed into the rear seats only. Do not attempt to install the front seat head restraints into the rear seats, or the rear seat head restraints into the front seats.

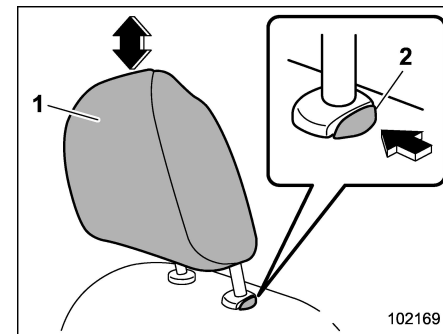
### NOTE

It is possible to adjust the angle of the front seat head restraints only. When installing the front seat head restraints, make sure that the angle of the head restraints can be adjusted.

### ▼ Front seats

Both the driver's seat and the front passenger's seat are equipped with head restraints. Both head restraints are adjustable in the following ways.

#### ▽ Height adjustment



- 1) Head restraint
- 2) Release button

#### To raise:

Pull the head restraint up.

#### To lower:

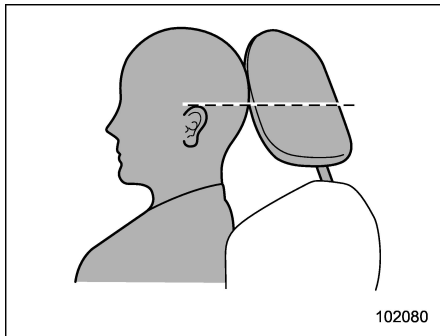
Push the head restraint down while pressing the release button on the top of the seatback.

#### To remove:

While pressing the release button, pull out the head restraint.

**To install:**

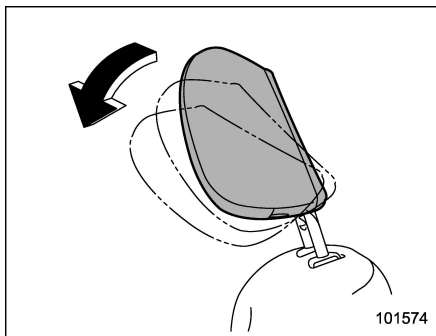
Install the head restraint into the holes that are located on the top of the seatback until the head restraint locks. Press and hold the release button to lower the head restraint.



Each head restraint should be adjusted so that the center of the head restraint is closest to the top of the occupant's ears.

**NOTE**

**When the head restraint cannot be pulled out or installed due to insufficient clearance between the head restraint and the roof, tilt the seat and then perform the installation and removal tasks.**

**▽ Angle adjustment**

The angle of the head restraint can be adjusted in several steps. While maintaining a suitable driving posture, adjust the head restraint to a position where the back of your head is as close to the head restraint as possible.

**To tilt:**

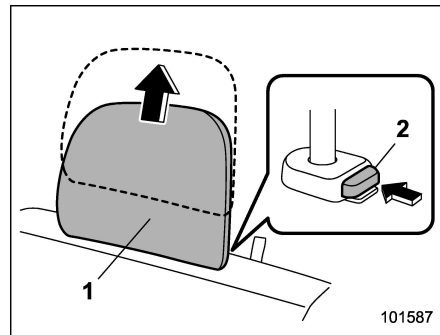
Tilt the head restraint by hand to the preferred position. A click will be audible when the head restraint is locked.

**To return:**

Tilt the head restraint once as far forward as it can go. The head restraint will automatically return to the fully upright position. Then, adjust the head restraint again to the preferred angle.

**▼ Rear seats**

Both the rear window side seats and the rear center seat are equipped with head restraints.

**▽ Rear windows side seating position**

- 1) Head restraint
- 2) Release button

**To remove:**

While pressing the release button, pull out the head restraint.

**To install:**

Install the head restraint into the holes that are located on the top of the seatback until the head restraint locks. Press and hold the release button to lower the head restraint.

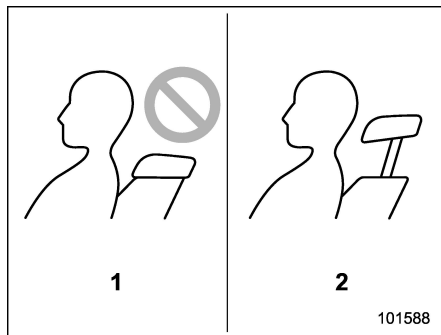


After installing the head restraint, make sure it is securely locked.

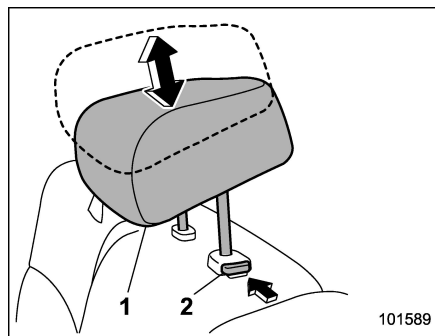
▽ Rear center seating position

**CAUTION**

The head restraint is not intended to be used at the retracted position. Before sitting on the seat, raise the head restraint to the extended position.



- 1) Incorrect (retracted position)
- 2) Correct (extended position)



- 1) Head restraint
- 2) Release button

**To raise:**

Pull the head restraint up.

**To lower:**

Push the head restraint down while pressing the release button on the top of the seatback.

**To remove:**

While pressing the release button, pull out the head restraint.

**To install:**

Install the head restraint into the holes that are located on the top of the seatback until the head restraint locks. Press and hold the release button to lower the head restraint.

When the rear-center seating position is occupied, raise the head restraint to the extended position. When the rear center seating position is not occupied, lower the head restraint to improve rearward visibility.

## 1-2. Seat heater

The seat heater is equipped in the front seats.

The seat heater operates when the ignition switch is either in the “ACC” or “ON” position.

### ■ Safety precautions

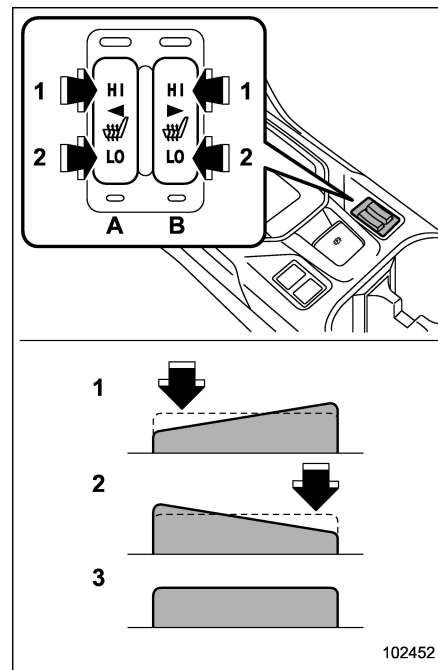
#### CAUTION

- People with delicate skin may suffer slight burns even at low temperatures if they use the seat heater for a long period of time. When using the heater, always be sure to warn the persons concerned.
- Do not put anything on the seat which insulates against heat, such as a blanket, cushion, or similar items. This may cause the seat heater to overheat.
- When the seat is warmed enough or before you leave the vehicle, be sure to turn off the seat heater.

### NOTE

Use of the seat heater for a long period of time while the hybrid system is not running can cause 12 V battery discharge.

### ■ Operation



- 1) **HI** – Rapid heating
  - 2) **LO** – Normal heating
  - 3) Off
- A) Left-hand side  
B) Right-hand side

102452

To turn on the seat heater, push the “LO” or “HI” position on the switch, as desired, depending on the temperature.

Selecting the “HI” position will cause the seat to heat up quicker.

To turn off the seat heater, lightly press the opposite side of the current position.

The indicator located on the switch illuminates when the seat heater is in operation.

## 1-3. Seatbelts

### ■ Seatbelt safety tips

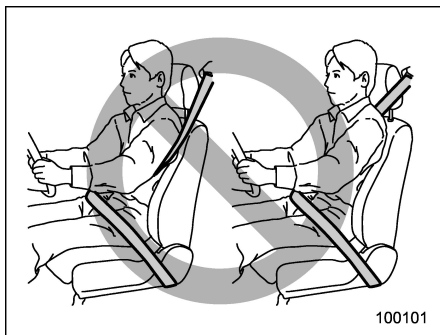


#### WARNING

- All persons in the vehicle should fasten their seatbelts **BEFORE** the vehicle starts to move. Otherwise, the possibility of serious injury becomes greater in the event of a sudden stop or accident.
- All belts should fit snugly in order to provide full restraint. Loose fitting belts are not as effective in preventing or reducing injury.
- Each seatbelt is designed to support only one person. Never use a single belt for two or more persons – even children. Otherwise, in an accident, serious injury or death could result.
- Replace all seatbelt assemblies including retractors and attaching hardware worn by occupants of a vehicle that has been in a serious accident. The entire assembly should be replaced even if damage is not obvious.
- Never use a belt that is twisted or

reversed. In an accident, this can increase the risk or severity of injury.

- Keep the lap belt as low as possible on your hips. In a collision, this spreads the force of the lap belt over stronger hip bones instead of across the weaker abdomen.
- Seatbelts provide maximum restraint when the occupant sits well back and upright in the seat. To reduce the risk of sliding under the seatbelt in a collision, the front seatbacks should be always used in the upright position while the vehicle is running. If the front seatbacks are not used in the upright position in a collision, the risk of sliding under the lap belt and of the lap belt sliding up over the abdomen will increase, and both can result in serious internal injury or death.
- Do not put cushions or any other materials between occupants and seatbacks or seat cushions. If you do so, the risk of sliding under the lap belt and of the lap belt sliding up over the abdomen will increase, and both can result in serious internal injury or death.



**WARNING**

Never place the shoulder belt under the arm or behind the back. If an accident occurs, this can increase the risk or severity of injury.

**CAUTION**

Metallic parts of the seatbelt can become very hot in a vehicle that has been closed up in sunny weather; they could burn an occupant. Do not touch such hot parts until they cool.

Your vehicle is equipped with a crash sensing and diagnostic module, which will record the use of the seatbelt by the front

passenger when any of the SRS frontal, side and curtain airbags deploy.

▼ **Infants or small children**

Use a child restraint system that is suitable for your vehicle. Refer to “Child restraint systems” P92.

▼ **Children**

**WARNING**

Place children in the rear seat properly restrained at all times. The SRS airbag deploys with considerable speed and force and can injure or even kill children, especially if they are not restrained or improperly restrained. Because children are lighter and weaker than adults, their risk of being injured from deployment is greater. For that reason, we strongly recommend that ALL children (including those in child seats and those that have outgrown child restraint devices) sit in the REAR seat properly restrained at all times in a child restraint device or in a seatbelt, whichever is appropriate for the child’s height and weight.

**Secure ALL types of child restraint devices (including forward facing child seats) in the REAR seats at all**

times.

**NEVER INSTALL A CHILD SEAT IN THE FRONT SEAT. DOING SO RISKS SERIOUS INJURY OR DEATH TO THE CHILD BY PLACING THE CHILD’S HEAD TOO CLOSE TO THE SRS AIRBAG.**

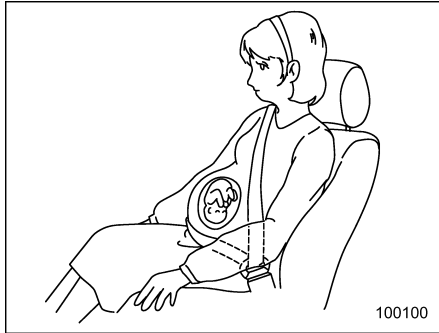
According to accident statistics, children are safer when properly restrained in the rear seating positions than in the front seating positions. For instructions and precautions concerning the child restraint system, refer to “Child restraint systems” P92.

If a child is too big for a child restraint system, the child should sit in the rear seat and be restrained using the seatbelts. According to accident statistics, children are safer when properly restrained in the rear seating positions than in the front seating positions. Never allow a child to stand up or kneel on the seat.

If the shoulder portion of the belt crosses the face or neck, move the child closer to the belt buckle to help provide a good shoulder belt fit. Care must be taken to securely place the lap belt as low as possible on the hips and not on the child’s waist. If the shoulder portion of the belt

cannot be properly positioned, a child restraint system should be used. Never place the shoulder belt under the child's arm or behind the child's back.

### ▼ Expectant mothers



Expectant mothers also need to use the seatbelts. They should consult their doctor for specific recommendations. The lap belt should be worn securely and as low as possible over the hips, not over the waist.

### ■ Emergency Locking Retractor (ELR)

The driver's seatbelt has an Emergency Locking Retractor (ELR).

The emergency locking retractor allows normal body movement but the retractor locks automatically during a sudden stop,

impact or if you pull the belt very quickly out of the retractor.

### ■ Automatic Locking Retractor/Emergency Locking Retractor (ALR/ELR)

Each passenger's seatbelt has an Automatic Locking Retractor/Emergency Locking Retractor (ALR/ELR). The Automatic Locking Retractor/Emergency Locking Retractor normally functions as an Emergency Locking Retractor (ELR). The ALR/ELR has an additional locking mode "Automatic Locking Retractor (ALR) mode" intended to secure a child restraint system. When the seatbelt is once drawn out completely and is then retracted even slightly, the retractor locks the seatbelt in that position and the seatbelt cannot be extended. As the belt is rewinding, clicks will be heard which indicate the retractor functions as an ALR. When the seatbelt is retracted fully, the ALR mode is released.

When securing a child restraint system on the rear seats by the use of the seatbelt, the seatbelt must be changed over to the Automatic Locking Retractor (ALR) mode.

When the child restraint system is removed, make sure that the seatbelt retracts fully and the retractor returned to the Emergency Locking Retractor (ELR)

mode.

For instructions on how to convert the retractor to the ALR mode and restore it to the ELR mode, refer to "Installing child restraint systems with ALR/ELR seatbelt" P96.

### ■ Seatbelt warning light and chime



Refer to "Seatbelt warning light and chime" P182.

### ■ Fastening the seatbelt

#### ▼ Front seatbelts

1. Adjust the seat position according to the following procedure.

**Driver's seat:** Adjust the seatback to the upright position. Move the seat as far from the steering wheel as practical while still maintaining full vehicle control.

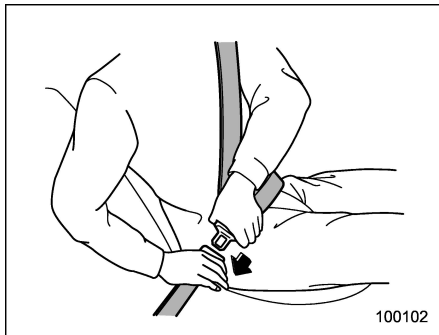
**Front passenger's seat:** Adjust the seatback to the upright position. Move the seat as far back as possible.

2. Sit well back in the seat.

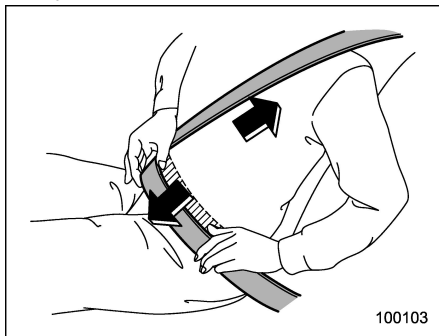
3. Pick up the tongue plate and pull the belt out slowly. Do not let it get twisted.

- If the belt stops before reaching the buckle, return the belt slightly and pull it out more slowly.
- If the belt still cannot be unlocked, let

the belt retract slightly after giving it a strong pull, then pull it out slowly again.



4. Insert the tongue plate into the buckle until you hear a click.

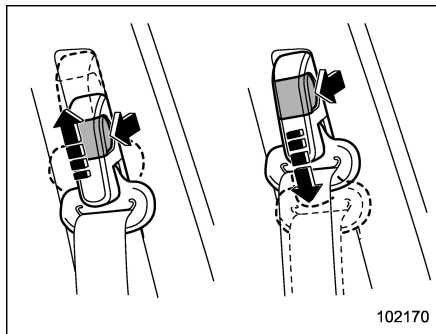


5. To make the lap part tight, pull up on

the shoulder belt.

6. Place the lap belt as low as possible on your hips, not on your waist.

#### ▽ Adjusting the front seat shoulder belt anchor height



The shoulder belt anchor height should be adjusted to the position best suited for the driver/front passenger. Always adjust the anchor height so that the shoulder belt passes over the middle of the shoulder without touching the neck.

#### To raise:

Pull the release knob and slide the anchor up.

#### To lower:

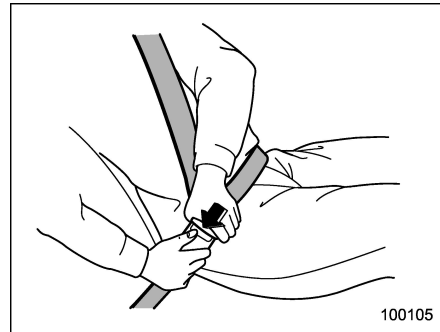
Pull the release knob and slide the anchor down.

Pull down on the anchor to make sure that it is locked in place.

### ⚠ WARNING

When wearing the seatbelts, make sure the shoulder portion of the webbing does not pass over your neck. If it does, adjust the seatbelt anchor to a lower position. Placing the shoulder belt over the neck may result in neck injury during sudden braking or in a collision.

#### ▽ Unfastening the seatbelt

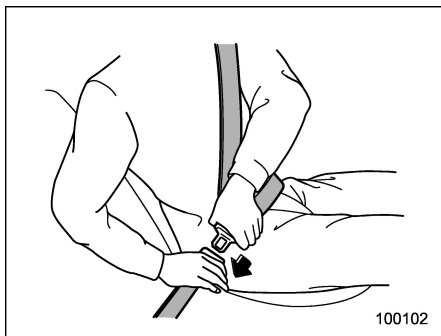


1. Push the button on the buckle.
2. Have the seatbelt retracted slowly to avoid the seatbelt being tangled or twisted.

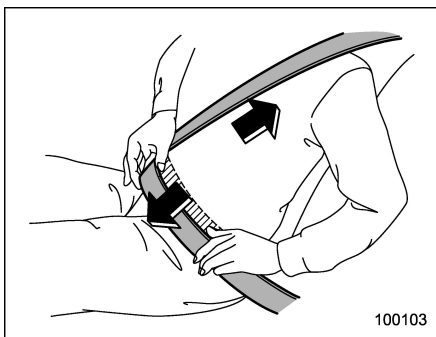
Before closing the door, make sure that the belts are retracted properly to avoid catching the belt webbing in the door.

▼ **Rear seatbelts (except rear center seatbelt)**

1. Sit well back in the seat.
2. Pick up the tongue plate and pull the belt out slowly. Do not let it get twisted.
  - If the belt stops before reaching the buckle, return the belt slightly and pull it out more slowly.
  - If the belt still cannot be unlocked, let the belt retract slightly after giving it a strong pull, then pull it out slowly again.

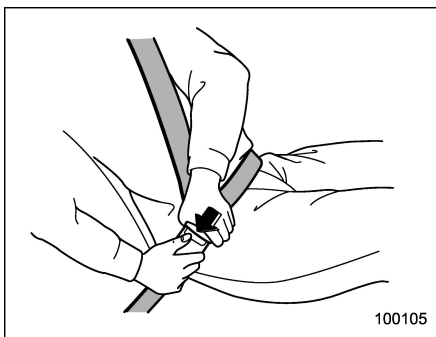


3. Insert the tongue plate into the buckle until you hear a click.



4. To make the lap part tight, pull up on the shoulder belt.
5. Place the lap belt as low as possible on your hips, not on your waist.

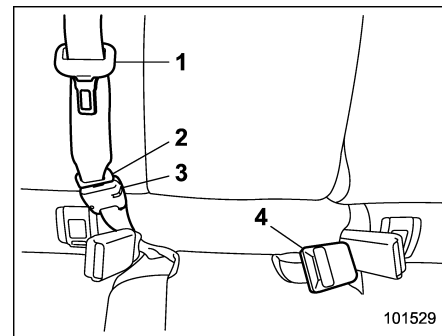
▽ **Unfastening the seatbelt**



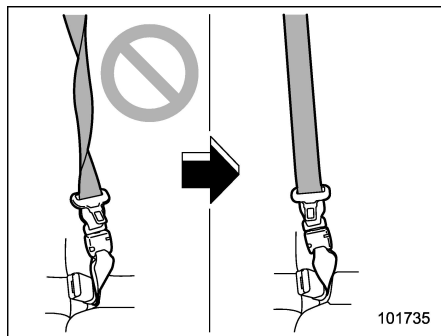
1. Push the button on the buckle.
2. Have the seatbelt retracted slowly to avoid the seatbelt being tangled or twisted.

Before closing the door, make sure that the belts are retracted properly to avoid catching the belt webbing in the door.

▼ **Rear center seatbelt**



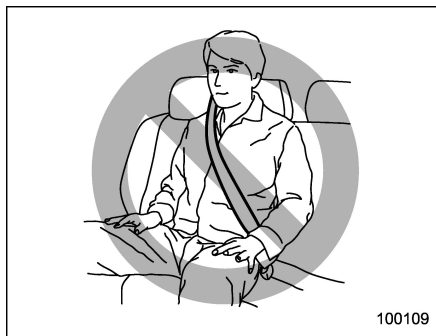
- 1) Center seatbelt tongue plate
- 2) Connector (tongue)
- 3) Connector (buckle)
- 4) Center seatbelt buckle



101735

**⚠ WARNING**

Fastening the seatbelt with the webbing twisted can increase the risk or severity of injury in an accident. When fastening the belt after it is pulled out from the retractor, especially when inserting the connector's tongue plate into the mating buckle (on right-hand side), always check that the webbing is not twisted.

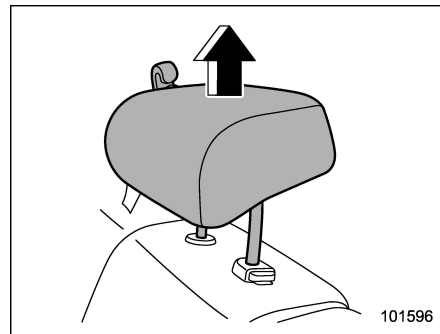


100109

**⚠ WARNING**

- Be sure to fasten both tongue plates to the respective buckles. If the seatbelt is used only as a shoulder belt (with the connector's tongue plate not fastened to the connector's buckle on the right-hand side), it cannot properly restrain the wearer in position in an accident, possibly resulting in serious injury or death.
- The head restraint is not intended to be used at the lowest position. Before sitting on the seat, raise the head restraint to the extended position. Otherwise, in an acci-

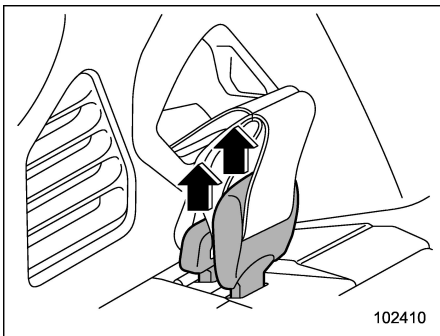
dent, serious injury or death could result.



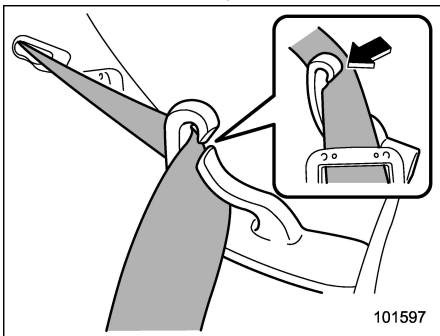
101596

1. Raise the head restraint to the extended position. Do not remove the head restraint.



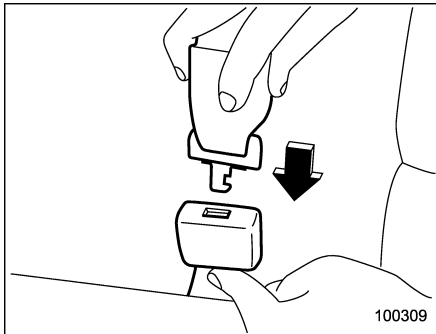


2. Remove the plates from the belt holder on the right side of the cargo area and pull out the seatbelt slowly.



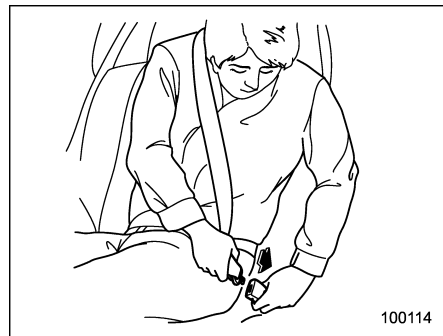
3. After drawing out the seatbelt, pass it through the belt guide as follows: First insert one edge of the belt into the open

gap in the belt guide; then slide the rest of the belt in, so that the whole belt fits inside.

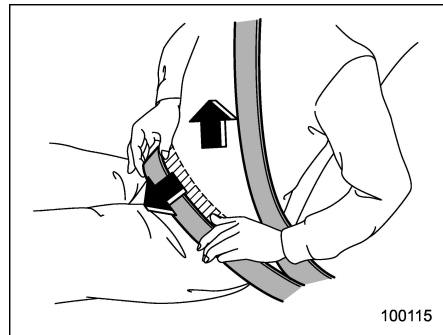


4. After confirming that the webbing is not twisted, insert the connector (tongue) attached at the webbing end into the buckle on the right-hand side until a click is heard.

- If the belt stops before reaching the buckle, return the belt slightly and pull it out more slowly.
- If the belt still cannot be unlocked, let the belt retract slightly after giving it a strong pull, then pull it out slowly again.



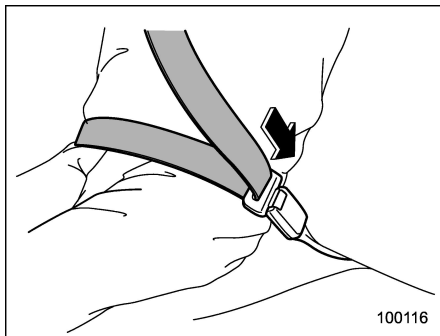
5. Insert the center seatbelt tongue plate into the center seatbelt buckle marked "CENTER" on the left-hand side until it clicks.



6. To make the lap part tight, pull up on the shoulder belt.

7. Place the lap belt as low as possible on your hips, not on your waist.

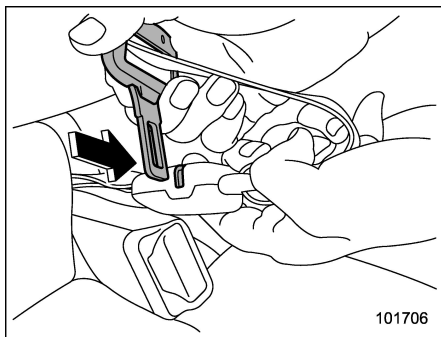
### ▽ Unfastening the seatbelt



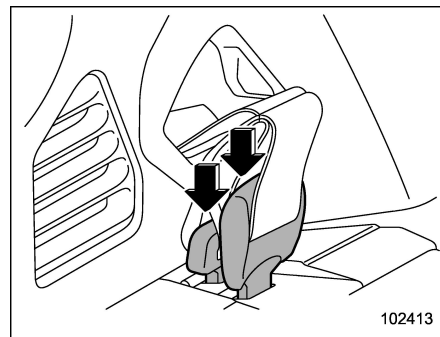
1. Push the release button of the center seatbelt buckle (on the left-hand side) to unfasten the seatbelt.

### NOTE

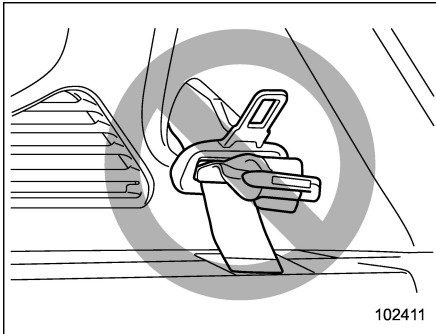
When the seatback is folded down for greater cargo area, it is necessary to disconnect the connector.



2. Insert a tongue plate or other hard pointed object into the slot in the connector (buckle) on the right-hand side and push it in. The connector (tongue) plate will then disconnect from the buckle.



3. Allow the retractor to roll up the belt. You should hold the webbing end and guide it back into the retractor while it is rolling up. Neatly store the connector (tongue) plate in the recess and then insert the tongue plate into the slot.



### CAUTION

- Do not allow the retractor to roll up the seatbelt too quickly. Otherwise, the metal tongue plates may hit against the trim, resulting in damaged trim.
- Have the seatbelt fully rolled up so that the tongue plates are neatly stored. A hanging tongue plate can swing and hit against the trim during driving, causing damage to the trim.

## ■ Seatbelt maintenance

To clean the seatbelts, use a mild soap and lukewarm water. Never bleach or dye the belts because this could seriously affect their strength.

Inspect the seatbelts and attachments including the webbing and all hardware periodically for cracks, cuts, gashes, tears, damage, loose bolts or worn areas. Replace the seatbelts even if only minor damage is found.

### CAUTION

- Keep the belts free of polishes, oils, chemicals and particularly battery acid.
- Never attempt to make modifications or changes that will prevent the seatbelt from operating properly.

## 1-4. Seatbelt pretensioners

The following seatbelts have a seatbelt pretensioner.

- Driver's seatbelt
- Front passenger's seatbelt

The seatbelt pretensioners are designed to be activated in the event of an accident involving a moderate to severe frontal and side collision and rollover accident.

### WARNING

- To obtain maximum protection, the occupants should sit in an upright position with their seatbelts properly fastened. Refer to "Seatbelts" P79.
- Do not modify, remove or strike the seatbelt retractor assemblies equipped with seatbelt pretensioners or surrounding area. This could result in accidental activation of the seatbelt pretensioners or could make the system inoperative, possibly resulting in serious injury. Seatbelt pretensioners have no user-serviceable parts. For required servicing of seatbelt retractors equipped with seatbelt pretensioners, consult

your SUBARU dealer.

- When discarding seatbelt retractor assemblies equipped with seatbelt pretensioners or scrapping the entire vehicle due to collision damage or for other reasons, consult your SUBARU dealer.

## NOTE

- Seatbelt pretensioners are not designed to activate in minor impacts or in rear impacts.
- Pretensioners are designed to function on a one-time-only basis. In the event that a pretensioner is activated, both the driver's and front passenger's seatbelt retractor assemblies should be replaced only by an authorized SUBARU dealer. When replacing seatbelt retractor assemblies, use only genuine SUBARU parts.
- If a seatbelt that has a seatbelt pretensioner does not retract or cannot be pulled out due to a malfunction or activation of the pretensioner, contact your SUBARU dealer as soon as possible.
- If the seatbelt retractor assembly or surrounding area has been damaged, contact your SUBARU dealer as soon

as possible.

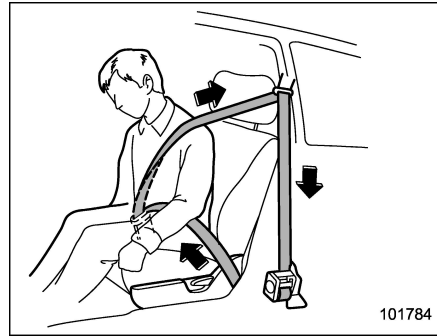
- When you sell your vehicle, we urge you to inform the buyer that the vehicle is equipped with seatbelt pretensioners. Also, notify the buyer of the contents in this section.

## ■ Seatbelt with shoulder belt pretensioner

### NOTE

This section is applicable to the following components.

- Driver's seatbelt



Front seatbelt pretensioner

The pretensioner sensor also serves as follows.

- SRS frontal airbag sensor

- Side impact sensor
- Front door impact sensor
- Rollover sensor

If the sensor detects a certain predetermined amount of force during frontal or side collisions or rollover accidents, any seatbelt that has a seatbelt pretensioner is quickly drawn back in by the retractor to take up the slack so that the belt more effectively restrains the seat occupant.

The driver's seatbelt pretensioner includes a tension reducing device which limits the peak forces exerted by the seatbelt on the occupant in the event of a collision.

When a seatbelt pretensioner is activated, an operating noise will be heard and a small amount of smoke will be released. These occurrences are normal and not harmful. This smoke does not indicate a fire in the vehicle.

Once the seatbelt pretensioner has been activated, the seatbelt retractor remains locked. Consequently, the seatbelt can not be pulled out and retracted and therefore must be replaced.

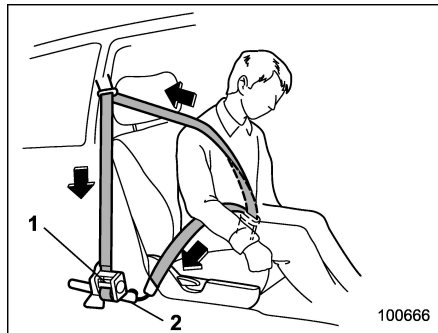
▼ **In cases of rollover accident, frontal collisions or side collisions, the following components will operate simultaneously**

For details, refer to “In cases of rollover accident, frontal collisions or side collisions, the following components will operate simultaneously” P90.

■ **Seatbelt with shoulder belt and lap belt pretensioners**

**NOTE**

**This section is applicable to the front passenger’s side seatbelt.**



- 1) Seatbelt retractor assembly (shoulder belt pretensioner and adaptive force limiter)
- 2) Lap belt pretensioner

On the front passenger’s side, the shoulder belt pretensioner is supplemented by a lap belt pretensioner, which is located at the base of the center pillar. Like the shoulder belt pretensioner, the lap belt pretensioner instantaneously pulls in the belt to eliminate slack if a certain level of frontal collision force is detected. As a result, the seatbelt restrains the front seat occupant more effectively.

The front passenger’s seatbelt pretensioner includes a tension reducing device which limits the peak forces exerted by the seatbelt on the occupant in the event of a collision.

The adaptive force limiter will select a reducing load to suit the body size of occupant as detected by the occupant detection sensor.

When the seatbelt pretensioners are activated, an operating noise will be heard and a small amount of smoke will be released. These occurrences are normal and not harmful. This smoke does not indicate a fire in the vehicle.

Once the seatbelt pretensioner has been activated, the seatbelt pretensioner remains locked. Consequently, the seatbelt cannot be pulled out and retracted and therefore must be replaced.

▼ In cases of rollover accident, frontal collisions or side collisions, the following components will operate simultaneously

	Driver's side seatbelt pretensioner	Front passenger's side shoulder belt pretensioner	Front passenger's side lap belt pretensioner	SRS frontal airbag for driver	SRS frontal airbag for front passenger	SRS curtain airbags	SRS side airbags
Rollover accidents	○	○	–	–	–	○ both sides	–
Frontal collisions	○	○	○	○	○*1	–	–
	Offset frontal collisions	○	○	○	○	○*1	○ both sides
Side collisions	○*3	○*4	–	–	–	○ impacted side	○*2 impacted side
Rear impact	–	–	–	–	–	–	–
Minor impact	–	–	–	–	–	–	–

○: Activated  
–: Not activated

\*1: This does not operate if the occupant detection system deactivates airbag operation.

\*2: When both the satellite safing sensor and any of the center pillar impact sensors/front door impact sensors sense an impact force.

\*3: When both the satellite safing sensor and the driver's side front door impact sensor sense an impact force.

However, when a center pillar impact sensor detects a signal faster than the front door impact sensor, or both sensors detect signals simultaneously, the seatbelt pretensioner does not activate.

\*4: When both the satellite safing sensor and the front passenger's side front door impact sensor sense an impact force.

However, when a center pillar impact sensor detects a signal faster than the front door impact sensor, or both sensors detect signals simultaneously, the seatbelt pretensioner does not activate.

## ■ System monitors

A diagnostic system continually monitors the readiness of the seatbelt pretensioner with the ignition switch in the "ON" position. The seatbelt pretensioners share the control module with the SRS airbag system. Therefore, if any malfunction occurs in a seatbelt pretensioner, the SRS airbag system warning light will illuminate. For details, refer to "SRS airbag system monitors" P135.

## ■ System servicing

### WARNING

- When discarding a seatbelt retractor assembly or scrapping the entire vehicle damaged by a collision, consult your SUBARU dealer.
- Tampering with or disconnecting the system's wiring could result in accidental activation of the seatbelt pretensioner and/or SRS airbag or could make the system inoperative, which may result in serious injury. Do not use electrical test equipment on any circuit related to the seatbelt pretensioner and SRS airbag systems. For required servicing of

the seatbelt pretensioner, consult your nearest SUBARU dealer.

### CAUTION

The sensors and SRS airbag control modules are located in the following locations.

- Front sub sensors: on both the right and left side at the front of the vehicle
- Front door impact sensors: on both front doors
- Satellite safing sensor: under the rear center seat
- SRS airbag control module (including the impact sensors): under the center of the instrument panel

If you need service or repair in those areas or near the front seatbelt retractors, have the work performed by your authorized SUBARU dealer.

## NOTE

If the front or side part of the vehicle is damaged in an accident to the extent that the seatbelt pretensioner does not

operate, contact your SUBARU dealer as soon as possible.

## ■ Precautions against vehicle modification

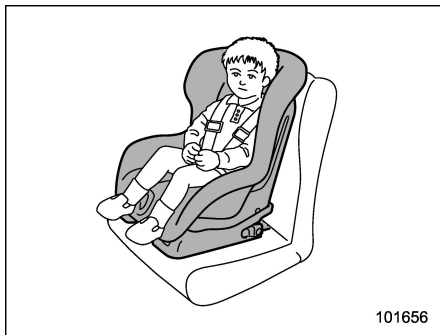
Always consult your SUBARU dealer if you want to install any accessory parts to your vehicle.

### CAUTION

Do not perform any of the following modifications. Such modifications can interfere with proper operation of the seatbelt pretensioners.

- Attachment of any equipment (bush bar, winches, snow plow, skid plate, etc.) other than genuine SUBARU accessory parts to the front end.
- Modification of the suspension system or front end structure.
- Installation of a tire of different size and construction from the tires specified on the vehicle placard attached to the driver's door pillar or specified for individual vehicle models in this Owner's Manual.

## 1-5. Child restraint systems



101656

Infants and small children should always be placed in an infant or child restraint system in the rear seat while riding in the vehicle.

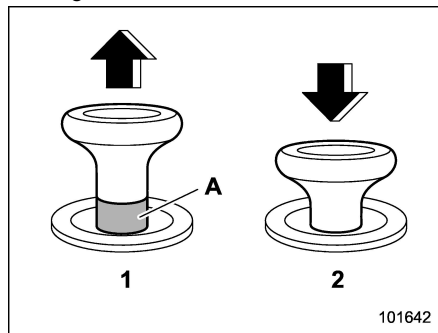
You should use an infant or child restraint system that meets Federal Motor Vehicle Safety Standards or Canada Motor Vehicle Safety Standards, is compatible with your vehicle and is appropriate for the child's age and size.

All child restraint systems are designed to be secured in vehicle seats by lap belts or the lap belt portion of a lap/shoulder belt (except those described in "Installation of child restraint systems by use of lower and tether anchorages (LATCH)" ¶P101).

Children could be endangered in an accident if their child restraints are not properly secured in the vehicle. When installing the child restraint system, carefully follow the manufacturer's instructions.

According to accident statistics, children are safer when properly restrained in the rear seating positions than in the front seating positions.

All U.S. states and Canadian provinces require that infants and small children be restrained in an approved child restraint system at all times while the vehicle is moving.



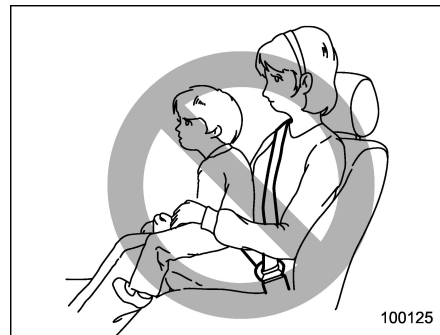
101642

### Lock release knob

- 1) Unlocked
- 2) Locked
- A) Unlocking marker in red

### ⚠ WARNING

- Before installing a child restraint system, be sure to confirm that the seatback is securely locked into place. Otherwise, in an accident, serious injury or death could result.
- Do not leave children in the car unattended. High interior temperatures may cause heat stroke and dehydration that result in serious injury or death.



100125

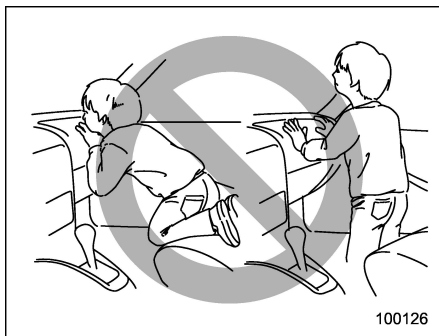
### ⚠ WARNING

Never let a passenger hold a child on his or her lap or in his or her arms



while the vehicle is moving. The passenger cannot protect the child from injury in a collision, because the child will be caught between the passenger and objects inside the vehicle.

Additionally, holding a child in your lap or arms in the front seat exposes that child to another serious danger. Since the SRS airbag deploys with considerable speed and force, the child could be injured or even killed.



100126

**▲ WARNING**

Children should be properly restrained at all times. Never allow a child to stand up, or to kneel on any

seat. Unrestrained children will be thrown forward during sudden stop or in an accident and can be injured seriously.

Additionally, children standing up or kneeling on or in front of the front seat are exposed another serious danger. Since the SRS airbag deploys with considerable speed and force, the child could be injured or even killed.

**■ Safety tips for installing child restraint systems**

**▲ WARNING**

- Do not use a seat belt extender. If a seat belt extender is used when installing a child restraint system, the seat belt will not securely hold the child restraint system. Use of a seat belt extender could cause death or serious injury to children or other passengers in sudden braking, swerving, or accidents.
- Attach the child restraint system to the anchors properly. When using the LATCH anchors, be sure that there are no foreign

objects around the anchors. Also, the seat belts should not be caught behind the child restraint system. Make sure the child restraint system is securely attached. Otherwise it may cause death or serious injury to children or other passengers in sudden braking, swerving, or accidents.

- Child restraint systems and seatbelts can become hot in a vehicle that has been closed up in sunny weather; they could burn a small child. Check the child restraint system before you place a child in it.
- Do not leave an unsecured child restraint system in your vehicle. Unsecured child restraint systems can be thrown around inside of the vehicle in a sudden stop, turn or accident; they can strike and injure vehicle occupants as well as result in serious injuries or death to the child.

**▲ CAUTION**

When you install a child restraint system, follow the manufacturer's

instructions supplied with it. After installing the child restraint system, check to ensure that it is held securely in position. If it is not held tight and secure, the danger of your child suffering personal injury in the event of an accident may be increased.

### ■ Where to place a child restraint system

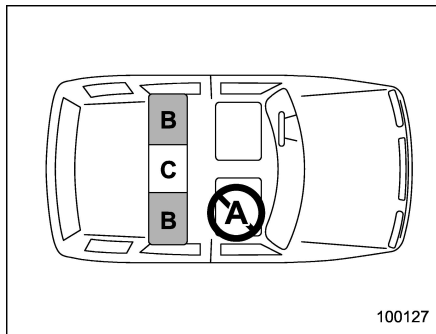
The following are SUBARU's recommendations on where to place a child restraint system in your vehicle.



#### WARNING

- Several types of child restraint systems may conceal the buckle of the neighboring seat. If the occupant of the neighboring seat cannot correctly fasten the seatbelt, that person must move to a different seat. If the seatbelt cannot be correctly fastened, there is the risk of serious injury or death in the event of sudden braking or a collision.
- If the child restraint system cannot be correctly installed because it contacts the driver's

seat, move the child restraint system to a different seat. If it cannot be installed in a different seat, adjust the front seat so that contact does not occur.



#### A: Front passenger's seat

You should not install a child restraint system (including a booster seat) due to the hazard to children posed by the passenger's airbag.

#### B: Rear seat, window-side seating positions

Recommended positions for all types of child restraint systems.

In these positions, the following equipment is provided for installing a child restraint system.

- Automatic Locking Retractor/Emergency Locking Retractor (ALR/ELR) seatbelts
- Lower anchorages (bars)
- Upper anchorages (tether anchorages)

Some types of child restraints might not be able to be secured firmly due to projection of the seat cushion.

In this seating position, you should use only a child restraint system that has a bottom base that fits snugly against the contours of the seat cushion and can be securely retained using the seatbelt.

#### C: Rear seat, center seating position

The ALR/ELR seatbelt and an upper anchorage (tether anchorage) are provided in this position.

Some types of child restraints might not be able to be secured firmly due to projection of the seat cushion.

In this seating position, you should use only a child restraint system that has a bottom base that fits snugly against the contours of the seat cushion and can be securely retained using the seatbelt.

When you install a child restraint system in the rear seat's center seating position, raise the center head restraint.

Lower anchorages (bars) for window-side seating positions may be used for a seat in

the center seating position if a child restraint system manufacturer's instructions permit and specify using anchors as far apart as those in this vehicle.

If a child restraint system is not correctly fixed in place (for example, if a child restraint system can be moved more than 1 inch (2.5 cm) from side to side), you should install the child restraint system in a rear seat, window-side seating position.

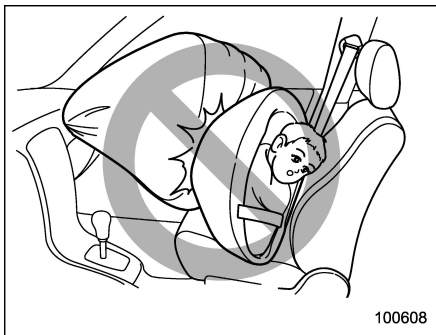
### WARNING

- Even with advanced airbags, children can be seriously injured by the airbag. Place children in the rear seat properly restrained at all times. The SRS airbag deploys with considerable speed and force and can injure or even kill children, especially if they are not restrained or improperly restrained. Because children are lighter and weaker than adults, their risk of being injured from deployment is greater.

For that reason, be sure to secure ALL types of child restraint devices (including forward facing child seats) in the REAR seats at all times. You should choose a restraint device which is appro-

prate for the child's age, height and weight. According to accident statistics, children are safer when properly restrained in the rear seating positions than in the front seating positions.

- Do not use lower anchorages (bars) for a seat in the center seating position unless a child restraint system manufacturer's instructions permit and specify using anchors spaced as far apart as those in this vehicle.
- Do not connect two or more lower hooks onto the same anchorage (bar).

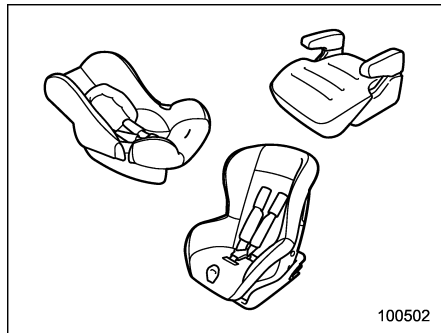


100608

### WARNING

- SINCE YOUR VEHICLE IS EQUIPPED WITH A PASSENGER'S SRS AIRBAG, NEVER INSTALL A CHILD SEAT IN THE FRONT SEAT. DOING SO RISKS SERIOUS INJURY OR DEATH TO THE CHILD BY PLACING THE CHILD'S HEAD TOO CLOSE TO THE SRS AIRBAG.
- Do not allow children to lean their heads or other body parts against the door of the vehicle, or the areas around the door. Deployment of the SRS side and curtain airbags could impact the child resulting in death or serious injury.
- To secure the child restraint system, be sure to comply with all installation instructions provided by the child restraint manufacturer. Not doing so could result in death or serious injury to children in a sudden stop or accident.

## ■ Choosing a child restraint system



Choose a child restraint system that is appropriate for the child's age and size (weight and height) in order to provide the child with proper protection. The child restraint system should meet all applicable requirements of Federal Motor Vehicle Safety Standards for the United States or of Canada Motor Vehicle Safety Standards for Canada. It can be identified by looking for the label on the child restraint system or the manufacturer's statement of compliance in the document attached to the system.

Also it is important for you to make sure that the child restraint system is compatible with the vehicle in which it will be used.

## ■ Installing child restraint systems with ALR/ELR seatbelt

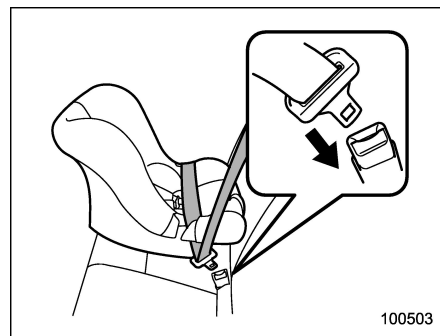
### ⚠ CAUTION

When installing a child restraint system in the rear center seating position, set both seatbacks to the original position. Otherwise, the child restraint system cannot be securely restrained, which may result in death or serious injuries in the event of sudden stop, sudden steering maneuver or an accident.

### ▼ Installing a rearward facing child restraint

### ⚠ WARNING

- **NEVER INSTALL A CHILD SEAT IN THE FRONT SEAT. DOING SO RISKS SERIOUS INJURY OR DEATH TO THE CHILD BY PLACING THE CHILD'S HEAD TOO CLOSE TO THE SRS AIRBAG.**
- **Before installing a child restraint system, be sure to confirm that the seatback is securely locked into place. Otherwise, in an accident, serious injury or death could result.**



1. Move the seatback back and forth to confirm that it is securely locked into place.
  - Check that the red colored unlocking marker which is attached to the bottom of the lock release knob is invisible. For details, refer to "Folding down the rear seatback" P74.
2. Place the child restraint system in the rear seating position.

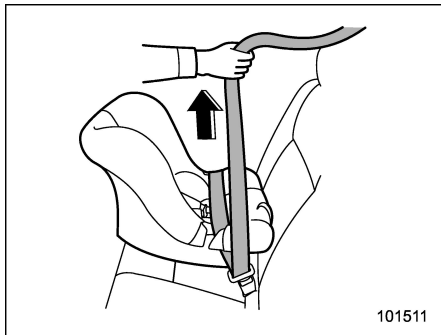
### ⚠ WARNING

**When you intend to install a child restraint system in the rear center seating position, if the child restraint system does not fit snugly against the contours of the rear center seat cushion, install the child restraint system in the window-side seating**

position to be safe. For details, refer to “Where to place a child restraint system” P94.

3. Run the lap and shoulder belt through or around the child restraint system following the instructions provided by its manufacturer.

4. Insert the tongue plate into the buckle until you hear a click.



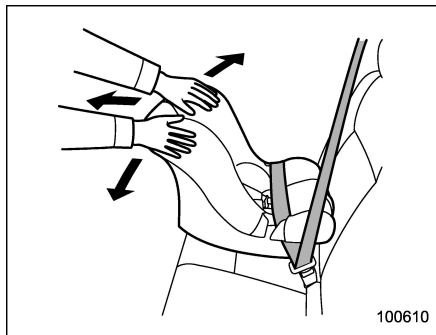
5. Take up the slack in the lap belt.

6. If using the seatbelt in the ALR mode is recommended by the manufacturer’s instructions supplied with the child restraint system, perform the following procedure.

(1) Pull out the seatbelt fully from the retractor to change the retractor over from the Emergency Locking Retractor (ELR) to the Automatic Locking Retractor (ALR)

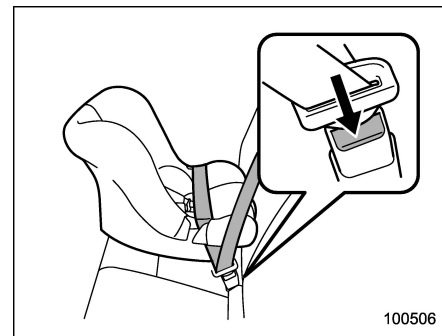
mode.

(2) Allow the belt to rewind into the retractor. As the belt is rewinding, clicks will be heard which indicate the retractor functions as ALR.



7. Push and pull the child restraint system forward and from side to side to check if it is firmly secured. Sometimes a child restraint can be more firmly secured by pushing it down into the seat cushion and then tightening the seatbelt.

8. If the seatbelt has been set to the ALR mode in step 5, pull at the shoulder portion of the belt to confirm that it cannot be pulled out (ALR properly functioning).



9. To remove the child restraint system, press the release button on the seatbelt buckle and allow the belt to retract completely. The belt will return to the ELR mode.

## NOTE

**When the child restraint system is no longer in use, remove it and restore the ELR function of the retractor. That function is restored by allowing the seatbelt to retract fully.**

### ▼ Installing forward facing child restraint

#### WARNING

- **NEVER INSTALL A CHILD SEAT IN THE FRONT SEAT. DOING SO RISKS SERIOUS INJURY OR DEATH TO THE CHILD BY PLACING THE CHILD'S HEAD TOO CLOSE TO THE SRS AIRBAG.**
- **Before installing a child restraint system, be sure to confirm that the seatback is securely locked into place. Otherwise, in an accident, serious injury or death could result.**

1. Move the seatback back and forth to confirm that it is securely locked into place.
  - Check that the red colored unlocking marker which is attached to the bottom of the lock release knob is invisible. For details, refer to “Folding down the rear seatback” ⓄP74.
2. Prepare the rear seat head restraint where a child restraint system is intended to be installed in the following way.
  - When a child restraint system is installed on the **window-side seating position**, remove the rear seat head

restraint. For details, refer to “Rear seats” ⓄP76.

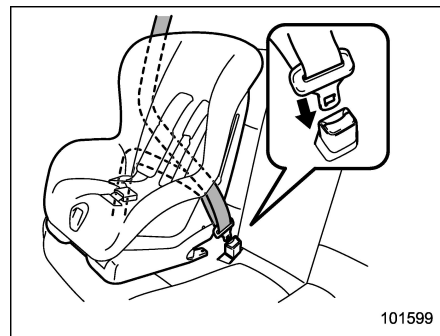
Store the head restraint in the cargo area. Avoid placing the head restraint in the passenger compartment to prevent it from being thrown around in the passenger compartment in a sudden stop or a sharp turn.

– When a child restraint system is installed on the **rear center seating position**, raise the rear seat head restraint to the extended position. Do not remove the head restraint. For details, refer to “Rear seats” ⓄP76.

3. Place the child restraint system in the rear seating position.

#### WARNING

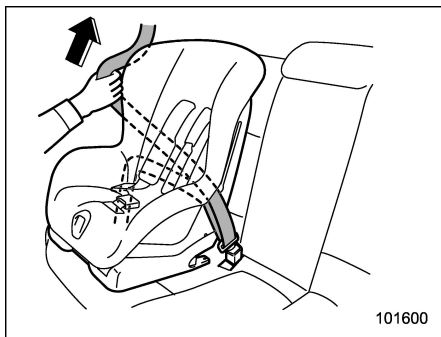
**When you intend to install a child restraint system on the rear center seating position, if the child restraint system does not fit snugly against the contours of the rear center seat cushion, install the child restraint system on the window-side seating position to be safe. For details, refer to “Where to place a child restraint system” ⓄP94.**



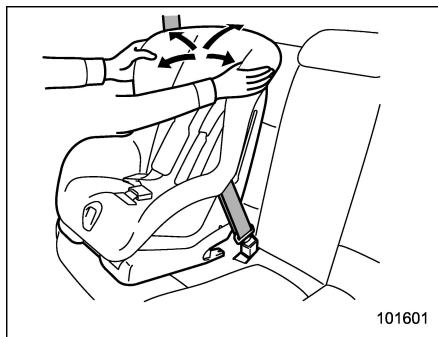
4. Run the lap and shoulder belt through or around the child restraint system following the instructions provided by its manufacturer.

– When a child restraint system is installed on the rear center seating position, pass the rear center seatbelt through the belt guide properly. For details, refer to “Rear center seatbelt” ⓄP83.

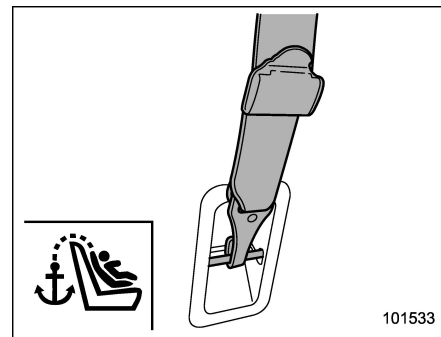
5. Insert the tongue plate into the buckle until you hear a click.



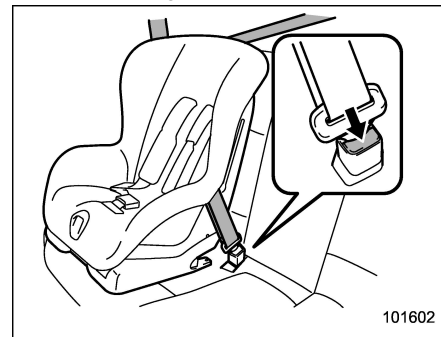
6. Take up the slack in the lap belt.
7. Pull out the seatbelt fully from the retractor to change the retractor over from the Emergency Locking Retractor (ELR) to the Automatic Locking Retractor (ALR) function. Then, allow the belt to rewind into the retractor. As the belt is rewinding, clicks will be heard which indicate the retractor functions as ALR.



8. Before having a child sit in the child restraint system, try to move it back and forth and right and left to check if it is firmly secured. Sometimes a child restraint system can be more firmly secured by pushing it down into the seat cushion and then tightening the seatbelt.
9. Pull at the shoulder portion of the belt to confirm that it cannot be pulled out (ALR properly functioning).



10. Latch the top tether hook onto the tether anchorage that is located behind the rear seat and tighten the top tether firmly. For additional instructions, refer to "Top tether anchorages" P104.



11. To remove the child restraint system,

press the release button on the seatbelt buckle and allow the belt to retract completely. The belt will return to the ELR mode.

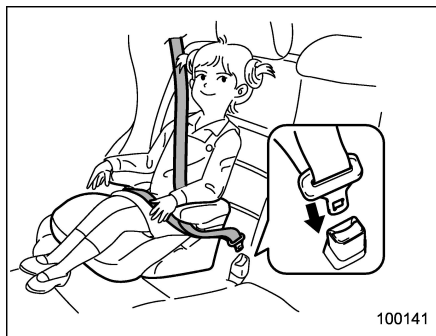
If you have installed a child restraint system for the **rear center seating position**, when you remove the child restraint system, the seatbelt may not be restored to the ELR mode even if the seatbelt is retracted. In this case, lower the head restraint to the retracted position to allow the seatbelt to retract moreover. The seatbelt will return to the ELR mode.

Remember that the head restraint is not intended to be used at the lowest position (retracted position). Therefore, when the rear center seat is occupied (including when a child restraint system is installed) next time, be sure to raise the head restraint to the extended position.

## NOTE

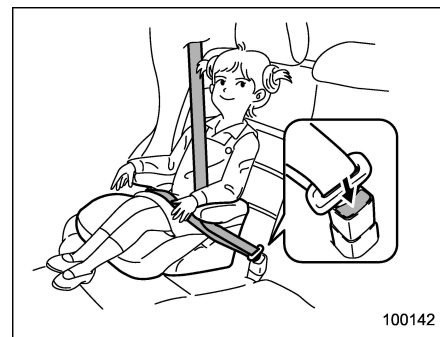
**When the child restraint system is no longer in use, remove it and restore the ELR function of the retractor. That function is restored by allowing the seatbelt to retract fully.**

## ■ Installing a booster seat



1. Place the booster seat in the rear seating position and sit the child on it. The child should sit well back on the booster seat.
2. Run the lap and shoulder belt through or around the booster seat and the child following the instructions provided by its manufacturer.
3. Insert the tongue plate into the buckle until you hear a click. Take care not to twist the seatbelt.

Make sure the shoulder belt is positioned across the center of child's shoulder and that the lap belt is positioned as low as possible on the child's hips.



4. To remove the booster seat, press the release button on the seatbelt buckle and allow the belt to retract.

## ⚠ WARNING

- **Never use a belt that is twisted or reversed. In an accident, this can increase the risk or severity of injury to the child.**
- **Never place the shoulder belt under the child's arm or behind the child's back. If an accident occurs, this can increase the risk or severity of injury to the child.**
- **The seatbelt should fit snugly in order to provide full restraint. Loose fitting belts are not as**

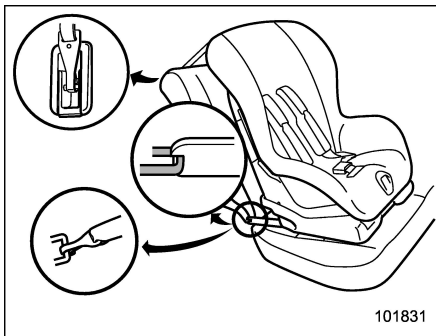


effective in preventing or reducing injury.

- Place the lap belt as low as possible on the child's hips. A high-positioned lap belt will increase the risk of sliding under the lap belt and of the lap belt sliding up over the abdomen, and both can result in serious internal injury or death.
- Make sure the shoulder belt is positioned across the center of child's shoulder. Placing the shoulder belt over the neck may result in neck injury during sudden braking or in a collision.

## ■ Installation of child restraint systems by use of lower and tether anchorages (LATCH)

### ▼ Lower and tether anchorages



### ⚠ WARNING

Attach the child restraint system to the anchors properly. When using the LATCH anchors, be sure that there are no foreign objects around the anchors. Also, the seat belts should not be caught behind the child restraint system. Make sure the child restraint system is securely attached. Otherwise it may cause death or serious injury to children or other passengers in sudden braking, swerving, or acci-

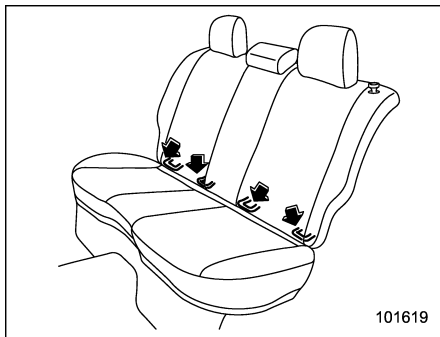
dents.

Some types of child restraint systems can be installed on the rear seat of your vehicle without use of the seatbelts. Such child restraint systems are secured to the designated anchorages provided on the vehicle body. The lower and tether anchorages are sometimes referred to as the LATCH system (Lower Anchors and Tethers for CHILDren).



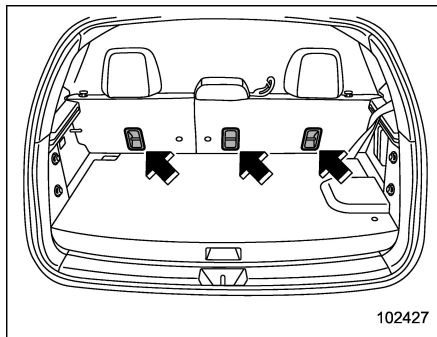
Your vehicle is equipped with four lower anchorages (bars) and three upper anchorages (tether anchorages) for accommodating such child restraint systems.

▽ Lower anchorages



The lower anchorages (bars) are used for installing a child restraint system only on the rear seat window-side seating positions. For each window-side seating position, two lower anchorages are provided. Each lower anchorage is located where the seat cushion meets the seatback.

▽ Tether anchorages



The tether anchorages (upper anchorages) are provided at the locations shown in the above illustration. For details, refer to "Top tether anchorages" P104.

▽ To install a child restraint system using lower and tether anchorages

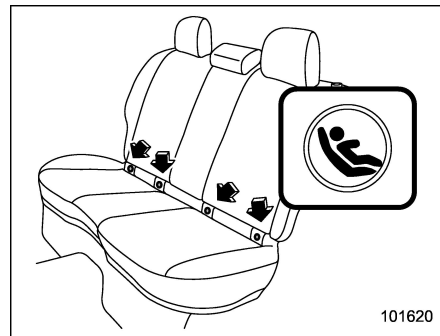
To install a child restraint system using lower and tether anchorages, perform the following procedure.

**WARNING**

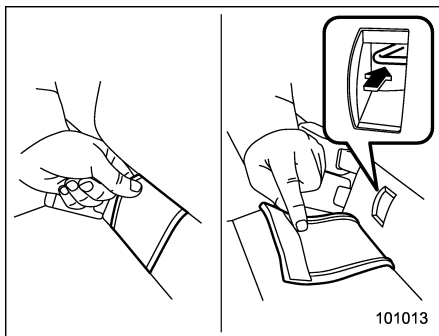
**Before installing a child restraint system, be sure to confirm that the seatback is securely locked into place. Otherwise, in an accident,**

**serious injury or death could result.**

1. Move the seatback back and forth to confirm that it is securely locked into place.
  - Check that the red colored unlocking marker which is attached to the bottom of the lock release knob is invisible. For details, refer to "Folding down the rear seatback" P74.



2. You will find marks "Ⓢ" at the bottom of the rear seat seatbacks. These marks indicate the positions of the lower anchorages (bars).



Remove the covers and locate the lower anchorages (bars).

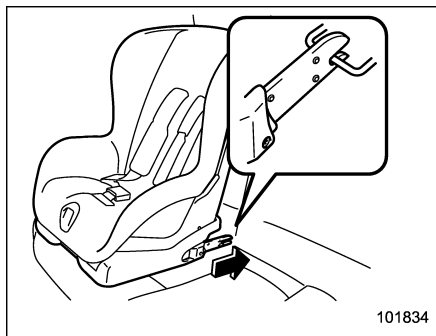
If it is hard to install the child restraint system because the anchorage cover returns to the original position, press the anchorage cover to the seat cushion until it is flat.

3. Remove the rear seat head restraint. For details, refer to "Rear seats" P76.

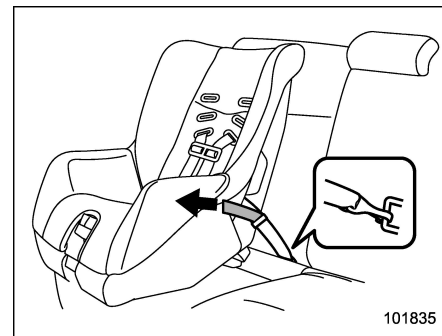


### CAUTION

**Store the head restraint that has been removed in the cargo area. Avoid placing the head restraint in the passenger compartment, as it could be thrown around in the passenger compartment in a sudden stop or a sharp turn.**



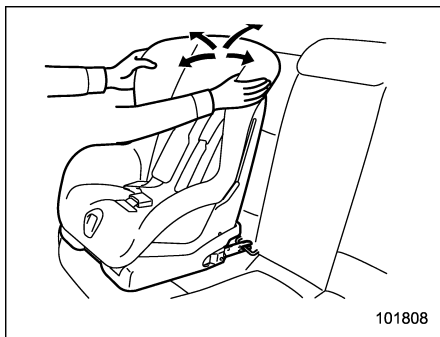
4. While following the instructions supplied by the child restraint system manufacturer, connect the lower hooks onto the lower anchorages located at "Ⓞ" marks on the bottom of the rear seatback. When the hooks are connected, make sure the adjacent seatbelts are not caught.



5. [If your child restraint system is of a flexible attachment type (which uses tether belts to connect the child restraint system properly to the lower anchorages)]

While pushing the child restraint into the seat cushion, pull both left and right lower tether belts up to secure the child restraint system firmly by taking up the slack in the belt.

6. Latch the top tether hook onto the tether anchorage that is located behind the rear seat and tighten the top tether firmly. For additional instructions, refer to "Top tether anchorages" P104.



7. Before seating a child in the child restraint system, try to move it back and forth and right and left to verify that it is held securely in position.

8. To remove the child restraint system, follow the reverse procedures of installation.

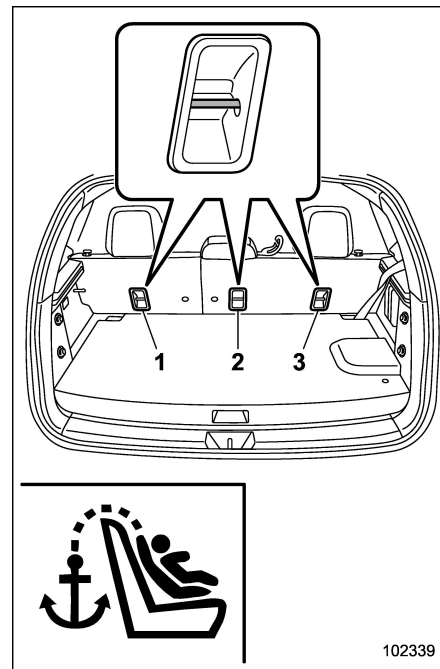
If you have any question concerning this type of child restraint system, ask your SUBARU dealer.

## ■ Top tether anchorages

Your vehicle is equipped with three top tether anchorages so that a child restraint system having a top tether can be installed in the rear seat. When installing a child restraint system using top tether, proceed as follows, while observing the instructions by the child restraint system manufacturer.

Since a top tether can provide additional stability by offering another connection between a child restraint system and the vehicle, we recommend that you use a top tether whenever one is required or available.

## ▼ Anchorage location



- 1) For left seat
- 2) For center seat
- 3) For right seat

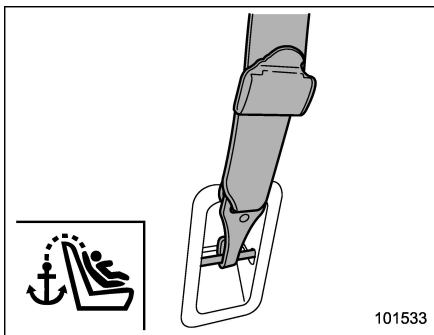
Three upper anchorages are installed on the back side of the rear seatback.

## ▼ To hook the top tether

**CAUTION**

- Except for the center seating position, remove the head restraint when mounting a child restraint system. Otherwise, it might be possible that the top tether cannot be fastened tightly.
- For the center seating position, raise the center head restraint to the extended position when mounting a child restraint system. Otherwise, it will be impossible to use the seatbelt guide that is attached to the head restraint correctly.

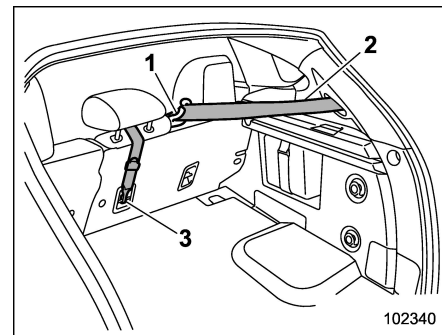
The seatbelt guide is essential for routing the belt webbing at the center seating position. For information about using the seatbelt guide, refer to “Rear center seatbelt” P83.



101533

1. Attach the top tether hook to the appropriate upper anchorage.

**For the center seating position,** route the top tether under the head restraint as illustrated below.



102340

- 1) Seatbelt guide
  - 2) Seatbelt of the center seating position
  - 3) Top tether
2. Tighten the top tether securely.

Please contact your SUBARU dealer if you have any question regarding the installation of a child restraint system.

## 1-6. \*SRS airbag (Supplemental Restraint System airbag)

\*SRS: This stands for supplemental restraint system. This name is used because the airbag system supplements the vehicle's seatbelts.

Your vehicle is equipped with a supplemental restraint system in addition to a lap/shoulder belt at each front seating position and each rear window-side seating positions. The supplemental restraint system (SRS) consists of seven airbags.

The configurations are as follows.

- Driver's and front passenger's **frontal airbags**
- Driver's and front passenger's **side airbags**
- **Curtain airbags** (for driver, front passenger, and window-side rear passengers)
- **Knee airbag** for driver

**These SRS airbags are designed only as a supplement to the primary protection provided by the seatbelt.**

The system also controls front seatbelt pretensioners. For operation instructions and precautions concerning the seatbelt

pretensioner, refer to "Seatbelt pretensioners" P87.

### ■ General precautions regarding SRS airbag system

#### WARNING

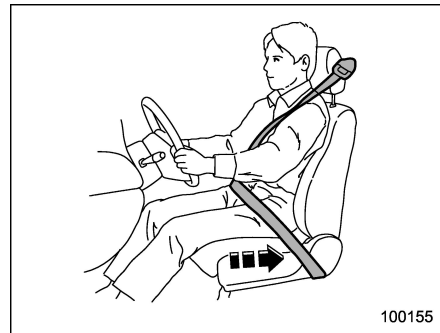
- **To obtain maximum protection in the event of an accident, the driver and all passengers must always wear seatbelts when in the vehicle. The SRS airbag is designed only to be a supplement to the primary protection provided by the seatbelt. It does not eliminate the need to fasten seatbelts. In combination with the seatbelts, it offers the best combined protection in case of a serious accident.**

**Not wearing a seatbelt increases the chance of severe injury or death in a crash even when the vehicle has the SRS airbag.**

**For instructions and precautions concerning the seatbelt system, refer to "Seatbelts" P79.**

- **The SRS side airbag and SRS curtain airbag are designed only to be a supplement to the primary protection provided by the seat-**

**belt. They do not eliminate the need to fasten seatbelts. It is also important to wear your seatbelt to help avoid injuries that can result when an occupant is not seated in a proper upright position.**



#### WARNING

- **The SRS airbags deploy with considerable speed and force. Occupants who are out of proper position when the SRS airbag deploys could suffer very serious injuries. Because the SRS airbag needs enough space for deployment, the driver should always sit upright and well back in the seat as far from the steering wheel as**

practical while still maintaining full vehicle control and the front passenger should move the seat as far back as possible and sit upright and well back in the seat.



**▲ WARNING**

- Do not sit or lean unnecessarily close to either front door. The SRS side airbags are stored in both front seat seatbacks next to the door, and they provide protection by deploying rapidly (faster than the blink of an eye) in the event of a side impact. However, the force of SRS side airbag deployment may cause injuries if your head or other parts of the

body are too close to the SRS side airbag.

- Since your vehicle is equipped with SRS curtain airbags, do not sit or lean unnecessarily close to the front or rear door on either side. Also, do not put your head, arms or hands out of the window. The SRS curtain airbags on both sides of the cabin are stored in the roof side (between the front pillar and a point behind the rear quarter glass), and they provide protection by deploying rapidly (faster than the blink of an eye) in the event of a side impact, rollover or an offset frontal collision. However, the force of its deployment may cause injuries if your head is too close to it.

- Do not sit or lean unnecessarily close to the SRS airbag. Because the SRS airbag deploys with considerable speed – faster than the blink of an eye – and force to protect in high speed collisions, the force of an airbag can injure an occupant whose body is too close to SRS airbag.

It is also important to wear your seatbelt to help avoid injuries that can result when the SRS

airbag contacts an occupant not in proper position such as one thrown forward during pre-accident braking.

Even when properly positioned, there remains a possibility that an occupant may suffer minor injury such as abrasions and bruises to the face or arms because of the SRS airbag deployment force.



**▲ WARNING**

- Do not rest your arm on either front door or its internal trim. You could be injured in the event of SRS side airbag deployment.

- Do not place any objects over or near the SRS airbag cover or between you and the SRS airbag. If the SRS airbag deploys, these objects could interfere with its proper operation and could be propelled inside the vehicle, causing injury.

**CAUTION**

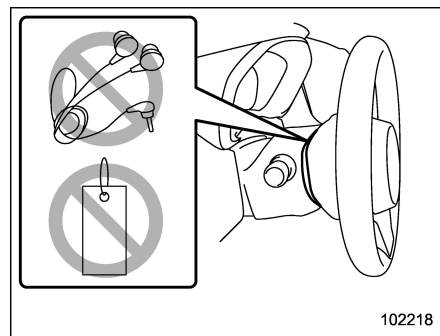
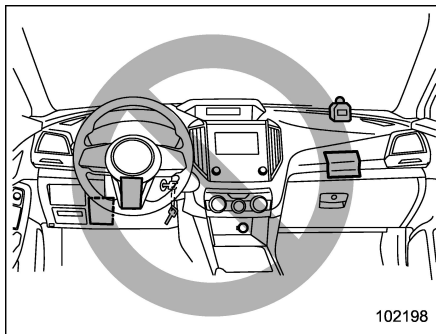
- When the SRS airbag deploys, some smoke will be released. This smoke could cause breathing problems for people with a history of asthma or other breathing trouble. If you or your passengers have breathing problems after SRS airbag deploys, get fresh air promptly.
- A deploying SRS airbag releases hot gas. Occupants could get burned if they come into direct contact with the hot gas.

**NOTE**

- When you sell your vehicle, we urge you to inform the buyer that the vehicle is equipped with SRS airbags. Also, notify the buyer of the applicable section in this Owner's Manual.

- If the SRS airbag deploys, fuel supply will be cut off to reduce the risk of fire caused by leaking fuel. For details about restarting of the hybrid system, refer to "If your vehicle is involved in an accident" P389.

**General precautions regarding SRS airbag system for accessories and any objects**



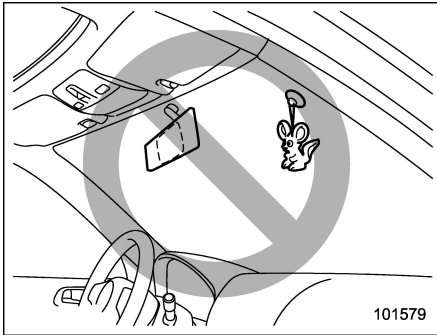
**WARNING**

- Do not put any objects (including straps or cords) over the steering wheel pad, column cover, or dashboard.
  - These objects could be entangled with the steering wheel, preventing the SRS frontal airbag, etc. from operating properly.
  - If the SRS frontal airbag deploys, these objects could be propelled inside the vehicle, causing injury.
- Do not put any objects under the driver's side of the instrument panel. If the SRS knee airbag



deploys, those objects could interfere with its proper operation and could be propelled inside the vehicle, causing injury.

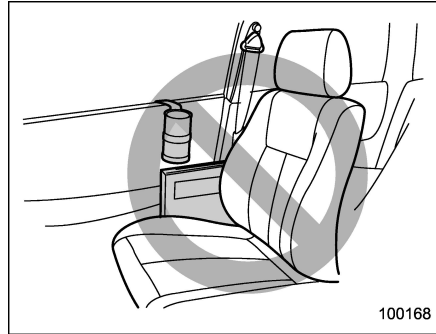
- The key must not be attached to heavy, sharp or hard accessories, or another key. If the SRS knee airbag deploys, those objects could interfere with its proper operation and could be propelled inside the vehicle and cause injury.



**⚠ WARNING**

Do not attach accessories to the windshield, or fit an extra-wide mirror over the inside rear view mirror. If

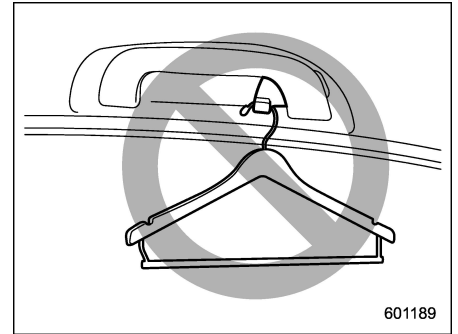
the SRS airbag deploys, those objects could become projectiles that could seriously injure vehicle occupants.



**⚠ WARNING**

- Do not attach accessories to the door trim or near either SRS side airbags and do not place objects near the SRS side airbags. In the event of SRS side airbag deployment, they could be propelled dangerously toward the vehicle's occupants and cause injuries.
- Do not attach a hands-free microphone or any other accessory to a front pillar, a center pillar, a rear

pillar, the windshield, a side window, an assist grip, or any other cabin surface that would be near a deploying SRS curtain airbag. A hands-free microphone or other accessory in such a location could be propelled through the cabin with great force by the curtain airbag, or it could prevent correct deployment of the curtain airbag. In either case, the result could be serious injuries.

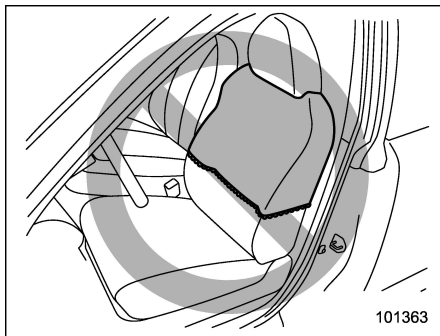


**⚠ WARNING**

Do not hang coat hangers or other hard or pointed objects on the coat hooks. If such items were hanging on the coat hooks during deploy-

ment of the SRS curtain airbags, they could cause serious injuries by coming off the coat hooks and being thrown through the cabin or by preventing deployment of the curtain airbags.

Before hanging clothing on the coat hooks, make sure there are no sharp objects in the pockets. Hang clothing directly on the coat hooks without using hangers.



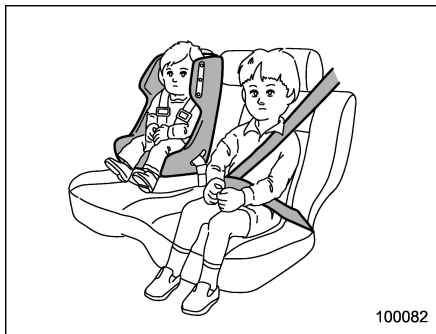
**⚠ WARNING**

- Do not put any kind of clothes or other objects over either front seatback and do not attach labels or stickers to the front seat sur-

face on or near the SRS side airbag. They could prevent proper deployment of the SRS side airbag, reducing protection available to the front seat's occupant.

- Do not install a seat cover unless it is a genuine SUBARU seat cover exclusively designed for use with the SRS airbag. Even when using a genuine SUBARU seat cover, the SRS side airbag system may not function normally if the seat cover is not installed correctly.

**■ General precautions regarding SRS airbag system and children**



**⚠ WARNING**

Seat children in the rear seat properly restrained at all times. The SRS airbag deploys with considerable speed and force and can injure or even kill children, especially if they are not restrained or improperly restrained. Because children are lighter and weaker than adults, their risk of being injured from deployment is greater.

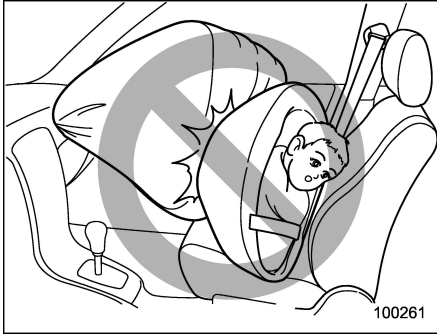
For that reason, we strongly recommend that ALL children (including those in child seats and those that have outgrown child restraint devices) sit in the REAR seat properly restrained at all times in a child restraint device or in a seatbelt, whichever is appropriate for the child's age, height and weight.

Secure ALL types of child restraint devices (including forward facing child seats) in the REAR seats at all times.

According to accident statistics, children are safer when properly restrained in the rear seating positions than in the front seating positions.

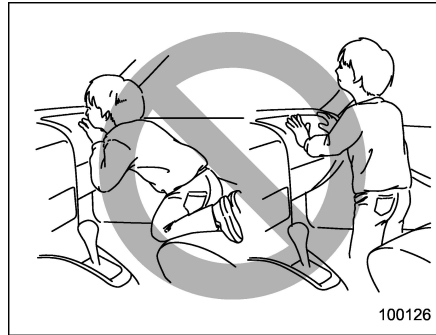
For instructions and precautions

concerning the child restraint system, refer to “Child restraint systems” P92.



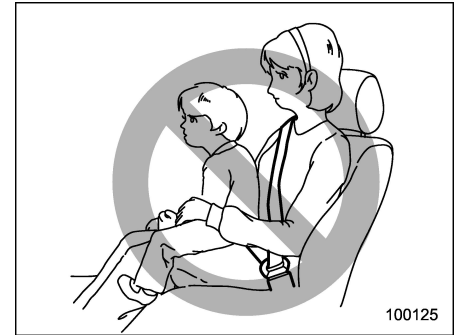
**WARNING**

**NEVER INSTALL A CHILD SEAT IN THE FRONT SEAT. DOING SO RISKS SERIOUS INJURY OR DEATH TO THE CHILD BY PLACING THE CHILD'S HEAD TOO CLOSE TO THE SRS AIRBAG.**



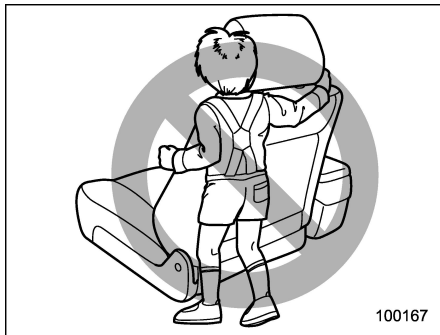
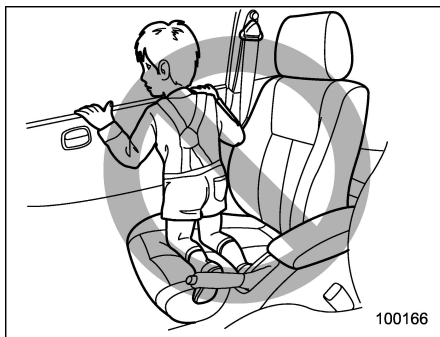
**WARNING**

**Never allow a child to stand up or kneel on the front passenger's seat. The SRS airbag deploys with considerable force and can injure or even kill the child.**



**WARNING**

**Never hold a child on your lap or in your arms. The SRS airbag deploys with considerable force and can injure or even kill the child.**



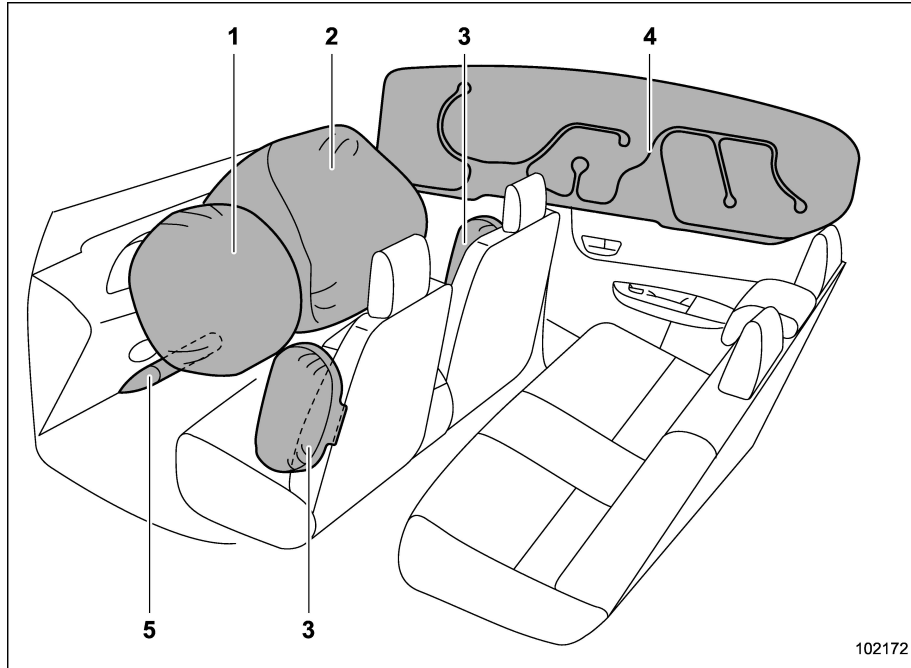
**⚠ WARNING**

- Never allow a child to do the following.
  - Kneel on any passenger's seat facing the side window
  - Wrap his/her arms around the front seat seatback
  - Put his/her head, arms or other parts of the body out of the window

In the event of an accident, the force of SRS side airbag and/or SRS curtain airbag deployment could injure the child seriously because his/her head, arms or other parts of the body are too close to the SRS side airbag and/or SRS curtain airbag.

- Since your vehicle is also equipped with a front passenger's SRS frontal airbag, children should be placed in the rear seat anyway and should be properly restrained at all times.

## ■ Components



- 1) Driver's SRS frontal airbag
- 2) Front passenger's SRS frontal airbag
- 3) SRS side airbag
- 4) SRS curtain airbag
- 5) SRS knee airbag

The SRS airbags are stowed in the following locations.

**Driver's SRS frontal airbag:** in the center portion of the steering wheel

A "SRS AIRBAG" mark is located at the pad of the airbag.

**Front passenger's SRS frontal airbag:** near the top of the dashboard the "SRS AIRBAG" mark above the glove box.

**SRS side airbag:** in the door side of each front seat seatback which bears an "SRS AIRBAG" label

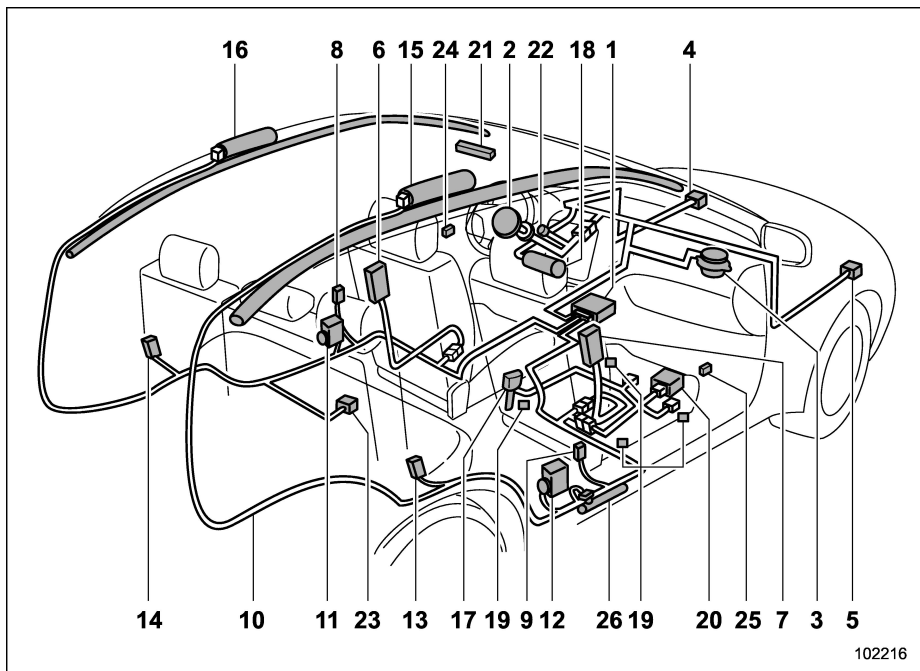
**SRS curtain airbag:** in the roof side (between the front pillar and a point behind the rear quarter glass)

"SRS AIRBAG" marks are located at the top of each center pillar.

**SRS knee airbag:** under the steering column

A "SRS AIRBAG" mark is located at the door of the airbag.

102172



- 1) Airbag control module (including impact sensor and rollover sensor)
- 2) Frontal airbag module (driver's side)
- 3) Frontal airbag module (front passenger's side)
- 4) Front sub sensor (left-hand side)
- 5) Front sub sensor (right-hand side)
- 6) Side airbag module (driver's side)
- 7) Side airbag module (front passenger's side)
- 8) Side airbag sensor (center pillar left-hand side)
- 9) Side airbag sensor (center pillar right-hand side)
- 10) Airbag wiring
- 11) Seatbelt pretensioner (driver's side)
- 12) Seatbelt pretensioner and adaptive force limiter (front passenger's side)
- 13) Curtain airbag sensor (rear wheel house right-hand side)
- 14) Curtain airbag sensor (rear wheel house left-hand side)
- 15) Curtain airbag module (right-hand side)
- 16) Curtain airbag module (left-hand side)
- 17) Seatbelt buckle switch (front passenger's side)
- 18) Knee airbag module (driver's side)
- 19) Front passenger's occupant detection system sensor
- 20) Front passenger's occupant detection control module
- 21) Front passenger's frontal airbag ON and OFF indicator
- 22) SRS airbag system warning light
- 23) Satellite safing sensor (under the rear center seat)
- 24) Front door impact sensor (left-hand side)

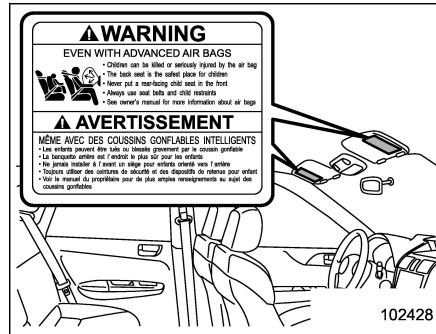
102216

- 25) Front door impact sensor (right-hand side)
- 26) Lap belt pretensioner (front passenger's side)

## ■ SUBARU advanced frontal airbag system

Your vehicle is equipped with a SUBARU advanced frontal airbag system that complies with the new advanced frontal airbag requirements in the amended Federal Motor Vehicle Safety Standard (FMVSS) No. 208.

The SUBARU advanced frontal airbag system automatically determines the deployment force of the driver's SRS frontal airbag at the time of deployment as well as whether or not to activate the front passenger's SRS frontal airbag and, if activated, the deployment force of the SRS frontal airbag at the time of deployment.



Your vehicle has warning labels on the driver's and front passenger's sun visors beginning with the phrase "EVEN WITH

ADVANCED AIR BAGS" and a tag attached to the glove box lid beginning with the phrase "Even with Advanced Air Bags". Make sure that you carefully read the instructions on the warning labels and tag.

Always wear your seatbelt. The SUBARU advanced frontal airbag system is a supplemental restraint system and must be used in combination with a seatbelt. All occupants should wear a seatbelt or be seated in an appropriate child restraint system.

For the locations of the SRS airbags, refer to "Components" P113.

In a moderate to severe frontal collision, the following components deploy.

- SRS frontal airbag for driver
- SRS frontal airbag for front passenger
- SRS knee airbag for driver
- SRS curtain airbag\*1

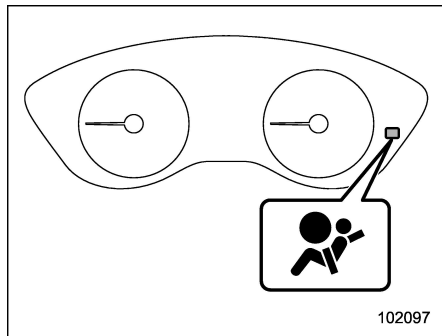
\*1: When an offset frontal collision that is severe enough to deploy the front airbag occurs.

These components supplement the seatbelts by reducing the impact to the occupant's head, chest and knees.

### ▼ Driver's SRS frontal airbag

The driver's SRS frontal airbag uses a dual stage inflator. The inflator operates in

different ways depending on the severity of impact.



**SRS airbag system warning light**

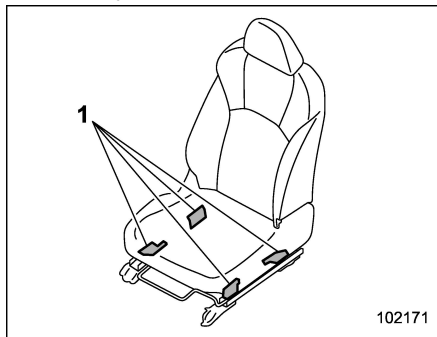
Have the system inspected by your SUBARU dealer immediately if the SRS airbag system warning light illuminates.

**NOTE**

The driver's SRS side airbag and SRS curtain airbag are not controlled by the SUBARU advanced frontal airbag system.

▼ **Front passenger's SRS frontal airbag**

The front passenger's SRS frontal airbag uses a dual stage inflator. The inflator operates in different ways depending on the severity of impact.



1) Occupant detection sensors

The occupant detection system sensors are installed between the seat and seat rails, and monitor the physique and posture of the front passenger. Using this information, the occupant detection system determines whether the front passenger's SRS frontal airbag should be deployed or not.

The occupant detection system may not inflate the front passenger's SRS frontal airbag even when the driver's SRS frontal

airbag deploys. This is normal. In this case, although the front passenger's SRS frontal airbag does not operate, the front passenger's seatbelt pretensioner operates with the driver's seatbelt pretensioner. For details about the seatbelt pretensioner, refer to "Seatbelt pretensioners" P87.

**⚠ CAUTION**

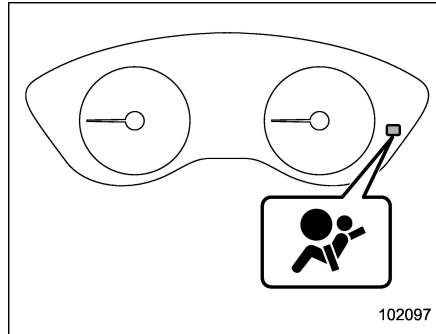
Observe the following precautions. Failure to do so may prevent the SUBARU advanced frontal airbag system from functioning correctly or cause the system to fail.

- Do not apply any strong impact to the front passenger's seat such as by kicking.
- Do not let rear passengers rest their feet between the front seat-back and seat cushion.
- Do not spill liquid on the front passenger's seat. If liquid is spilled, wipe it off immediately.
- Do not remove or disassemble the front passenger's seat.
- Do not install any accessory (such as an audio amplifier) other than a genuine SUBARU accessory under the front passenger's



seat.

- Do not place anything (shoes, umbrella, etc.) under the front passenger's seat.
- Do not place any objects (books, etc.) around the front passenger's seat.
- Do not use the front passenger's seat with the head restraint removed.
- Do not leave any articles on the front passenger's seat or the seatbelt tongue and buckle engaged when you leave your vehicle.
- Do not put sharp object(s) on the seat or pierce the seat upholstery.
- Do not place a magnet near the seatbelt buckle and the seatbelt retractor.
- Do not use front seats with their forward-backward position and seatback not being locked into place securely. If any of them are not locked securely, adjust them again. For adjusting procedure, refer to "Forward and backward adjustment" P73 and "Reclining the seatback" P73.



SRS airbag system warning light

If the seatbelt buckle switch and/or front passenger's occupant detection system have failed, the SRS airbag system warning light will illuminate. Have the system inspected by your SUBARU dealer immediately if the SRS airbag system warning light illuminates.

If your vehicle has sustained impact, this may affect the proper function of the SUBARU advanced frontal airbag system. Have your vehicle inspected at your SUBARU dealer. Do not use the front passenger's seat while driving the vehicle to your SUBARU dealer.

## NOTE

The front passenger's SRS side airbag and SRS curtain airbag are not controlled by the SUBARU advanced frontal airbag system.

### ▼ Passenger's frontal airbag ON and OFF indicators

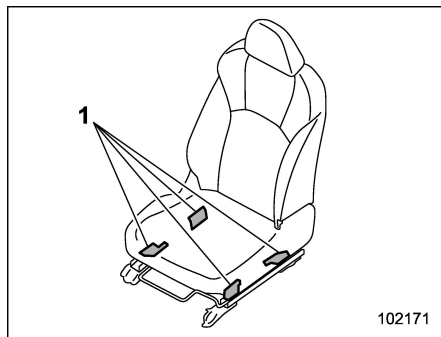


ON / : Front passenger's frontal airbag ON indicator

OFF / : Front passenger's frontal airbag OFF indicator

Refer to "Front passenger's frontal airbag ON and OFF indicators" P183.

▼ Occupant detection system



1) Occupant detection sensors

The occupant detection system sensors are installed between the seat and seat rails, and monitor the physique and posture of the front passenger. Using this information, the occupant detection system determines whether the front passenger's SRS frontal airbag should be deployed or not.

**⚠ WARNING**

**Do not kick the front passenger seat or subject it to severe impact. Otherwise, the SRS airbag system warning light may illuminate to indicate a malfunction of the front passenger occupant detection system. In this**

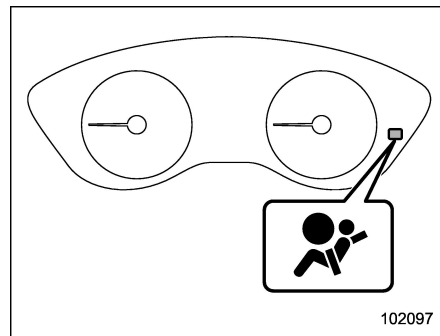
case, contact your SUBARU dealer immediately.

**⚠ CAUTION**

Electrical devices, such as cell phones, laptops, portable music players, or electronic games, especially when connected to the accessory power outlet and placed on the front passenger's seat or used by the person sitting in the front passenger's seat, may affect the operation of the occupant detection system. If either of the following situations occurs when using an electronic device in the vehicle, at first try to relocate that device to avoid it creating any interference.

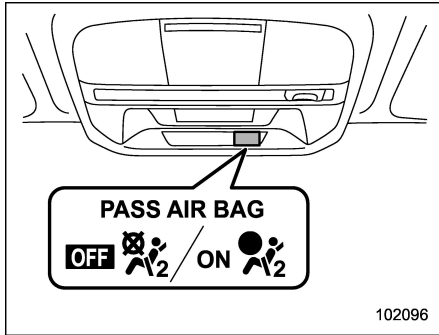
- The SRS airbag system warning light illuminates.
- The front passenger's frontal airbag ON and OFF indicators operate erratically.

If the device continues to cause interference, the use of that device in the vehicle should be discontinued.





**SRS airbag system warning light**

If the front passenger's seat cushion is wet, this may adversely affect the ability of the system to determine deployment. Wipe off liquid from the seat, let the seat dry naturally and then check the SRS airbag system warning light.

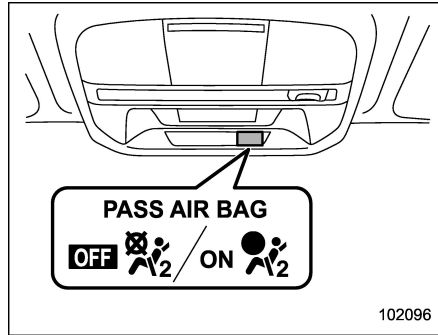


102096


ON / : Front passenger's frontal airbag ON indicator


**OFF** / : Front passenger's frontal airbag OFF indicator

If the front passenger's frontal airbag ON and OFF indicators do not work properly even when the front passenger's seat is dry, do not allow anyone to sit on the front passenger's seat and have the occupant detection system checked by your SUBARU dealer.



102096

ON / : Front passenger's frontal airbag ON indicator

**OFF** / : Front passenger's frontal airbag OFF indicator

Also, if luggage or electronic devices are placed on the front passenger's seat, this may adversely affect the ability of the system to determine deployment. This may prevent the front passenger's frontal airbag ON and OFF indicators from working properly. Check that the indicators work properly.

When the OFF indicator turns off and the ON indicator illuminates, the front passenger's frontal airbag may deploy during a collision. Remove luggage and electronic devices from the front passenger's seat.

▼ **Conditions in which front passenger's SRS frontal airbag is not activated**

The front passenger's SRS frontal airbag will not be activated when any of the following conditions are met regarding the front passenger's seat:

- The seat is empty.
- The seat is equipped with an appropriate child restraint system and an infant or a child is restrained in it. (See WARNING that follows.)
- The front passenger's occupant detection system is malfunctioning.

**⚠ WARNING**

**NEVER INSTALL A CHILD SEAT IN THE FRONT SEAT EVEN IF THE FRONT PASSENGER'S SRS FRONTAL AIRBAG IS DEACTIVATED. Be sure to install it in the REAR seat in a correct manner. Also, it is strongly recommended that any forward facing child seat or booster seat be installed in the REAR seat, and that even children who have outgrown a child restraint system be also seated in the REAR seat. This is because children sitting in the front passenger's seat may be killed or severely injured should the front passenger's**

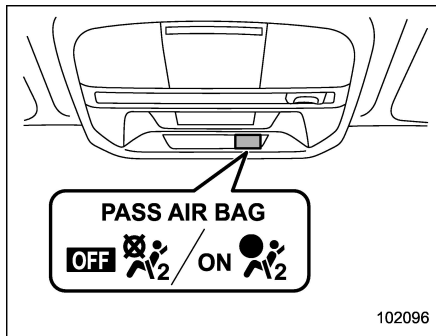
SRS frontal airbag deploy. REAR seats are the safest place for children.


**CAUTION**


When the front passenger's seat is occupied by an infant in an appropriate child restraint system, observe the following precautions. Failure to do so may interfere with the proper operation of the occupant detection system, activating the front passenger's SRS frontal airbag even though that seat is occupied by the infant in the child restraint system.

- Do not place any article (including electronic devices) on the seat other than the infant in the child restraint system.
- Do not place more than one infant in the child restraint system.

▽ If the front passenger's frontal airbag ON indicator illuminates and the OFF indicator turns off even when an infant or a small child is in a child restraint system (including booster seat)



ON / : Front passenger's frontal airbag ON indicator

OFF / : Front passenger's frontal airbag OFF indicator

1. Turn the ignition switch to the "OFF" position.
2. Remove the child restraint system from the seat.
3. By referring to the child restraint manufacturer's recommendations as well as the child restraint system installation procedures in "Child restraint systems" P92, correctly install the child restraint

system.

4. Turn the ignition switch to the "ON" position and make sure that the front passenger's frontal airbag ON indicator turns off and the OFF indicator illuminates.

If still the ON indicator remains illuminated while the OFF indicator turns off, take the following actions.

- Ensure that no article is placed on the seat other than the child restraint system and the child occupant.
- Ensure that the backward-forward position and seatback of front passenger's seat are locked into place securely by moving the seat back and forth.

If the ON indicator still remains illuminated while the OFF indicator turns off after taking relevant corrective actions described above, relocate the child restraint system to the rear seat and immediately contact your SUBARU dealer for an inspection.

**NOTE**

**When a child who has outgrown a child restraint system or a small adult is seated in the front passenger's seat, the SUBARU advanced frontal airbag system may or may not activate the front passenger's SRS frontal airbag**

depending on the occupant's seating posture. Children should always wear a seatbelt when sitting in the seat irrespective of whether the airbag is deactivated or activated. If the front passenger's SRS frontal airbag is activated (the ON indicator remains illuminated while the OFF indicator turns off), take the following action.

- Ensure that no article is placed on the seat other than the occupant.

If the ON indicator still remains illuminated while the OFF indicator turns off despite the fact that the actions noted above have been taken, seat the child/small adult in the rear seat and immediately contact your SUBARU dealer for an inspection. Even if the system has passed the dealer inspection, it is recommended that on subsequent trips the child/small adult always take the rear seat.

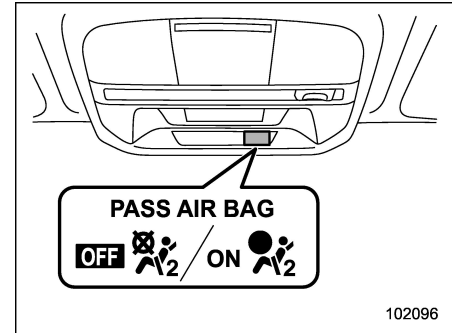
Children who have outgrown a child restraint system should always wear the seatbelt irrespective of whether the airbag is deactivated or activated.


#### ▼ Conditions in which front passenger's SRS frontal airbag is activated


The front passenger's SRS frontal airbag will be activated for deployment upon impact when any of the following conditions are met regarding the front passenger's seat.

- When the seat is occupied by an adult.
- When certain items (e.g. jug of water) are placed on the seat.

- ▽ If the passenger's frontal airbag OFF indicator illuminates and the ON indicator turns off even when the front passenger's seat is occupied by an adult



ON / : Front passenger's frontal airbag ON indicator

OFF / : Front passenger's frontal airbag OFF indicator

This can be caused by the adult incorrectly sitting in the front passenger's seat.

1. Turn the ignition switch to the "OFF" position.
2. Ask the front passenger to set the seatback to the upright position, sit up straight in the center of the seat cushion, correctly fasten the seatbelt, position his/her legs out forward, and adjust the seat to the rearmost position.

3. Turn the ignition switch to the “ON” position.

If the OFF indicator remains illuminated while the ON indicator remains off, take the following actions.

1. Turn the ignition switch to the “OFF” position.

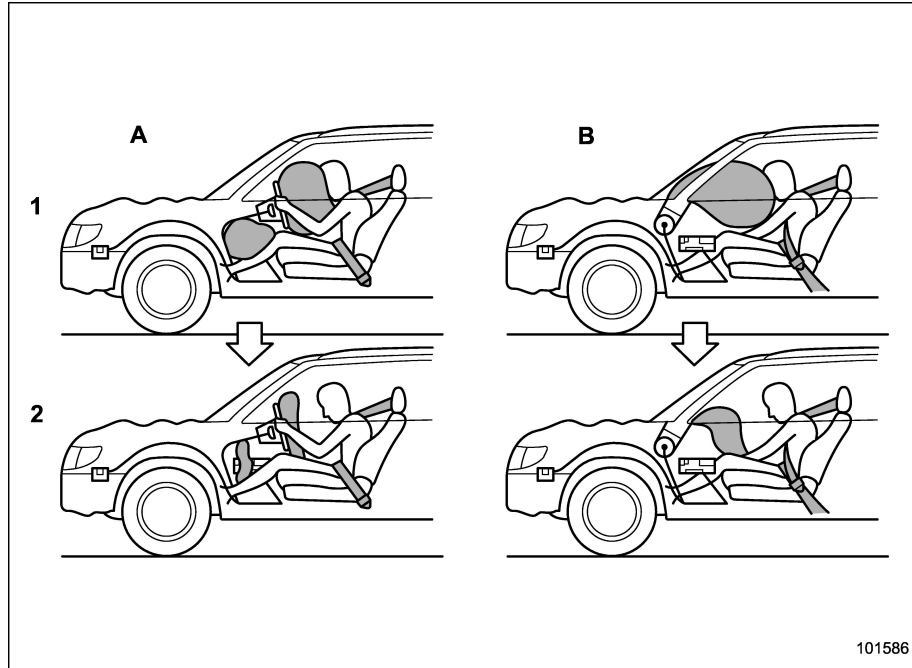
2. Make sure that the front passenger does not use a blanket, seat cushion, seat cover, seat heater or massager, etc.

3. If wearing excessive layers of clothing, the front passenger should remove any unnecessary items before sitting in the front passenger’s seat, or should sit in a rear seat.

4. Turn the ignition switch to the “ON” position and wait 6 seconds to allow the system to complete self-checking. Following the system check, both indicators turn off for 2 seconds. Now, the ON indicator should illuminate while the OFF indicator remains off.

If the OFF indicator still remains illuminated while the ON indicator remains off, ask the occupant to move to the rear seat and immediately contact your SUBARU dealer for an inspection.

## ▼ Operation



- A) Driver's side  
 B) Passenger's side  
 1) SRS AIRBAGs deploy as soon as a collision occurs.  
 2) After deployment, SRS AIRBAGs start to deflate immediately so that the driver's vision is not obstructed.

The SRS airbags can function only when the ignition switch is in the "ON" position.

The SUBARU advanced frontal airbag system is designed to determine the activation or deactivation condition of the front passenger's SRS frontal airbag depending on the characteristic of item(s) or person on the front passenger's seat monitored by the front passenger's occupant detection system sensor. For this reason, only the driver's SRS frontal airbag may deploy in the event of a collision, but this does not mean failure of the system.

If the following sensors detect a predetermined amount of force during a frontal collision, the control module sends signals to the airbag module(s) (only driver's module or both driver's and front passenger's modules) instructing the module(s) to inflate the SRS frontal airbag(s).

- The front sub sensors
- The impact sensors in the airbag control module

On the driver's side, the SRS knee airbag also inflates with the SRS frontal airbag.

The driver's and front passenger's SRS frontal airbags use dual stage inflators. The two inflators of each airbag are triggered either sequentially or simultaneously, depending on the severity of impact, in the case of the driver's SRS frontal airbag and depending on the severity of impact and the characteristic of item(s) or person on the seat in the case of the front passenger's SRS frontal airbag.

#### ▼ After deployment

After deployment, the SRS airbag immediately starts to deflate so that the driver's vision is not obstructed and the driver's ability to maintain control of the vehicle is not impaired. The time required from detecting impact to the deflation of the SRS airbag after deployment is shorter than the blink of an eye.

Both when only the driver's SRS frontal airbag deploys and the driver's and front passenger's SRS frontal airbags deploy, the driver's and front passenger's seatbelt pretensioners operate at the same time.

When the SRS airbag deploys, a sudden, fairly loud inflation noise will be heard and some smoke will be released. These occurrences are a normal result of the deployment. This smoke does not indicate a fire in the vehicle.

### CAUTION

**Do not touch the SRS airbag system components around the steering wheel and dashboard with bare hands right after deployment. Doing so can cause burns because the components can be very hot as a result of deployment.**

#### ▼ Example of the type of accident

The driver's SRS frontal airbag and front passenger's SRS frontal airbag are designed as follows.

- To deploy in the event of an accident involving a moderate to severe frontal collision
- To function on a one-time-only basis

The driver's SRS frontal airbag and front passenger's SRS frontal airbag are not designed as follows.

- To deploy in most lesser frontal impacts\*1
- To deploy in most side or rear impacts or in most rollover accidents\*2

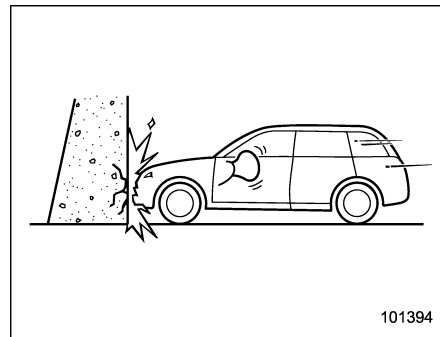
\*1: Because the necessary protection can be achieved by the seatbelt alone.

\*2: Because deployment of only the driver's SRS frontal airbag or both the driver's and

front passenger's SRS frontal airbags would not protect the occupant in those situations.

SRS airbag deployment depends on the level of force experienced in the passenger compartment during a collision. That level differs from one type of collision to another, and it may have no bearing on the visible damage done to the vehicle itself.

#### ▽ Example of accident in which the driver's/driver's and front passenger's SRS frontal airbag(s) will most likely deploy

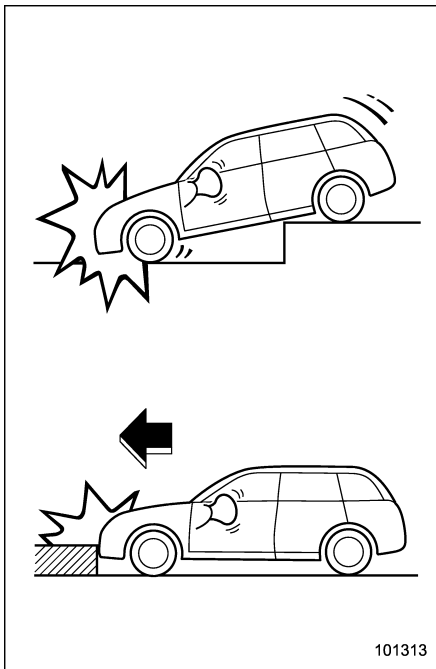


A head-on collision against a thick concrete wall at a vehicle speed of 12 to 19 mph (20 to 30 km/h) or higher activates only the driver's SRS frontal airbag or both driver's and front passenger's SRS frontal



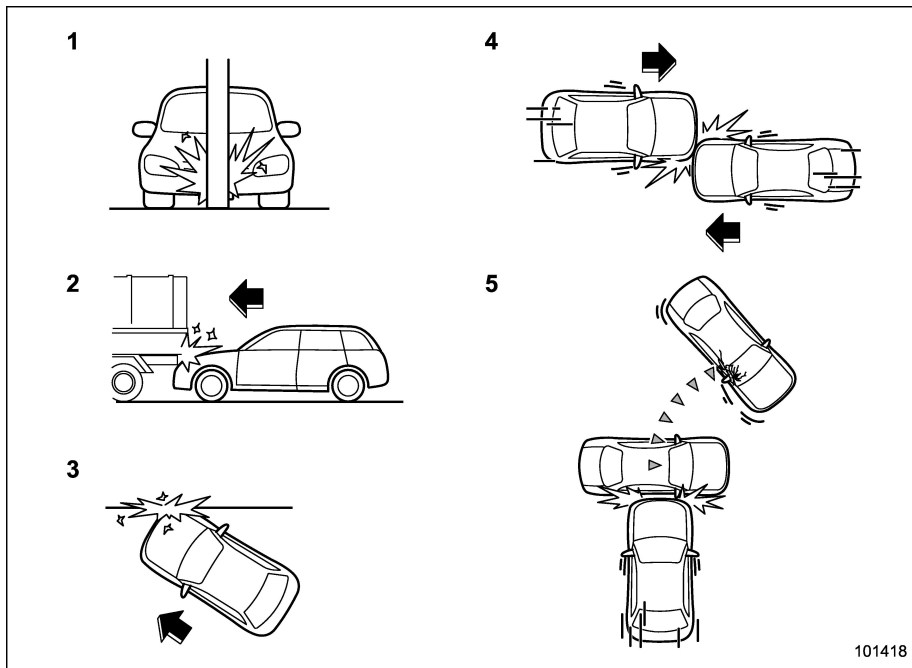
airbags. The airbag(s) will also be activated when the vehicle is exposed to a frontal impact similar in fashion and magnitude to the collision described above.

▽ **Examples of the types of accidents in which it is possible that the driver's/driver's and front passenger's SRS frontal airbag(s) will deploy**



Only the driver's SRS frontal airbag or both driver's and front passenger's SRS frontal airbags may be activated when the vehicle sustains a hard impact in the undercarriage area from the road surface (such as when the vehicle plunges into a deep ditch, is severely impacted or knocked hard against an obstacle on the road such as a curb).

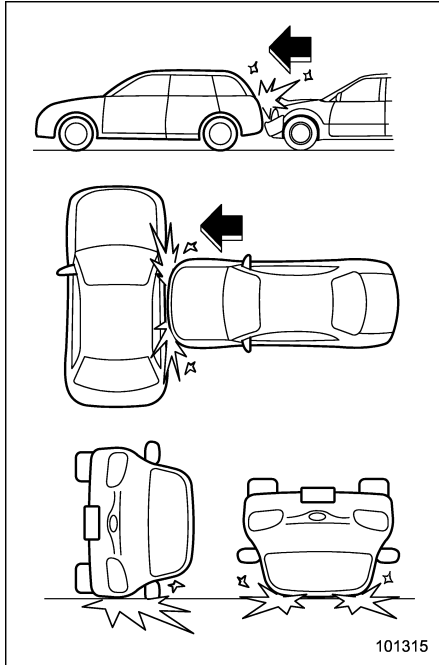
▽ Examples of the types of accidents in which deployment of the driver's/driver's and front passenger's SRS frontal airbag(s) is unlikely to occur



- 1) The vehicle strikes an object, such as a telephone pole or sign pole.
- 2) The vehicle slides under the load bed of a truck.
- 3) The vehicle sustains an oblique offset frontal impact.
- 4) The vehicle sustains an offset frontal collision.
- 5) The vehicle strikes an object that can move or deform, such as a parked vehicle.

There are many types of collisions which might not necessarily require deployment of driver's/driver's and front passenger's SRS frontal airbag(s). In the event of accidents like those illustrated, the driver's/driver's and front passenger's SRS frontal airbag(s) may not deploy depending on the level of accident forces involved.

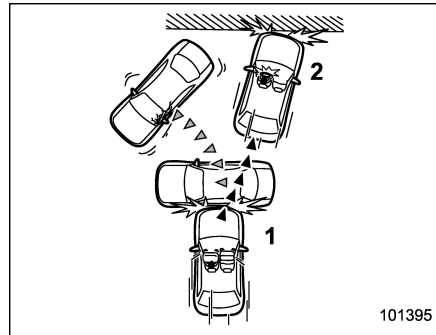
▽ **Examples of the types of accidents in which the driver's/driver's and front passenger's SRS frontal airbag(s) are not designed to deploy in most cases**



The driver's and front passenger's SRS

frontal airbags are not designed to deploy in most of the following cases.

- If the vehicle is struck from the side or from behind.
- If the vehicle rolls onto its side or roof.
- If the vehicle is involved in a low-speed frontal collision.



- 1) First impact
- 2) Second impact

In an accident where the vehicle is impacted more than once, the driver's and/or front passenger's SRS frontal airbag(s) will deploy only once on the first impact.

Example: In the case of a double collision, first with another vehicle, then against a concrete wall in immediate succession,

once either or both of the driver's and front passenger's SRS frontal airbags is/are activated on the first impact, it/they will not be activated on the second impact.

■ **SRS side airbag and SRS curtain airbag**



▼ **SRS side airbag**

The SRS side airbag is stored in the door side of each front seat seatback, which bears an "SRS AIRBAG" label.

In a moderate to severe side impact collision, the SRS side airbag on the impacted side of the vehicle deploys between the occupant and the door panel and supplements the seatbelt by reducing the impact on the occupant's chest and waist. The SRS side airbag operates only

for front seat occupants.

#### ▼ SRS curtain airbag

Your vehicle is equipped with a SUBARU SRS curtain airbag system that complies with the Federal Motor Vehicle Safety Standard (FMVSS) No. 226.

The SRS curtain airbag on each side of the cabin is stored in the roof side (between the front pillar and a point over the rear seat). An “SRS AIRBAG” mark is located at the top of each center pillar.

In a moderate to severe side impact collision, the SRS curtain airbag on the impacted side of the vehicle deploys between the occupant and the side window and supplements the seatbelt by reducing the impact on the occupant’s head.

In a rollover, SRS curtain airbags on both sides of the vehicle deploy between the occupant and the side window and supplement the seatbelt by reducing the impact to the occupant’s head.

In an offset frontal collision, SRS curtain airbags on both sides of the vehicle deploy between the occupant and the side window and supplement the seatbelt by reducing the impact to the occupant’s head and chest.

#### ▼ Operation

The SRS side airbag and SRS curtain airbag can function only when the ignition switch is in the “ON” position.

The following airbags deploy independently of each other since each has its own impact sensor.

- Driver’s SRS side airbag
- Front passenger’s SRS side airbag
- SRS curtain airbag (right-hand side)
- SRS curtain airbag (left-hand side)

Therefore, they may not both deploy in the same accident. Also, the SRS side airbag and SRS curtain airbag deploys independently of the driver’s and front passenger’s SRS frontal airbags in the steering wheel and instrument panel.

An impact sensor, which senses impact force, is located in each of the following locations.

- In the left and right front doors
- In the left and right center pillars
- In the left and right rear wheel houses
- Under the rear center seat

A rollover sensor is also located inside the airbag control module.

▼ In cases of rollover accident or side collisions, the following components will operate simultaneously

Impact sensors affected		SRS side airbags		SRS curtain airbags		Seatbelt pretensioner (shoulder belt pretensioner only)	
		Impacted side	Non-impacted side	Impacted side	Non-impacted side	Impacted side	Non-impacted side
Both of the sensors together sense an impact force	Impact sensor in front doors	○	-	○	-	○	-
	Impact sensor under rear center seat						
Both of the sensors together sense an impact force	Impact sensor in center pillars	○	-	○	-	-	-
	Impact sensor under rear center seat						
Both of the sensors together sense an impact force	Impact sensor in rear wheel houses	-	-	○	-	-	-
	Impact sensor under rear center seat						
Rollover sensor in airbag control module		-		○	○	○	○

○: Activated  
 -: Not activated

Seat, seatbelt and SRS airbags

▼ After deployment

After the deployment, the SRS side airbag immediately starts to deflate. The time required from detection of an impact to deflation of an SRS side airbag after deployment is shorter than the blink of an eye.

The SRS curtain airbag remains inflated for a while following deployment then slowly deflates.

The SRS side airbag and SRS curtain airbag deploy even when no one occupies the seat on the side on which an impact is applied.

When the SRS side airbag and SRS curtain airbag deploy, a sudden, fairly loud inflation noise will be heard and some smoke will be released. These occurrences are a normal result of the deployment. This smoke does not indicate a fire in the vehicle.



**CAUTION**

**Do not touch the SRS side airbag system components around the front seat seatback with bare hands right after deployment. Doing so can cause burns because the components can be very hot as a result of deployment.**

**After deployment, do not touch any part of the SRS curtain airbag system (from the front pillar to the part of the roof side over the rear seat). Doing so can cause burns because the components can be very hot as a result of deployment.**

▼ Example of the type of accident

The SRS side airbag and SRS curtain airbag are designed as follows:

- To deploy in the event of an accident involving a moderate to severe side impact collision
- To function on a one-time-only basis

The SRS side airbag and SRS curtain airbag are not designed to deploy in the following cases:

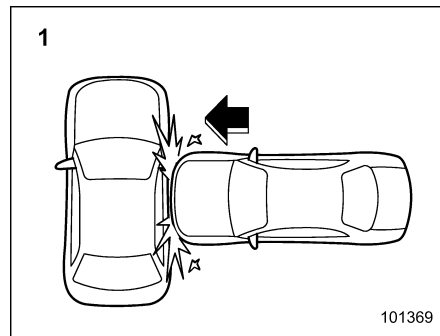
- In most lesser side impact
- In most frontal or most rear impacts (because the SRS side airbag and SRS curtain airbag deployment would not protect the occupant in those situations)

The SRS curtain airbags are also designed to deploy when the vehicle is in an extremely inclined state such as during a rollover. They are not designed to deploy in most lesser inclined state.

SRS side airbag and SRS curtain airbag deployment depend on the level of force

experienced in the passenger compartment during a side impact collision. That level differs from one type of collision to another, and it may have no bearing on the visible damage done to the vehicle itself.

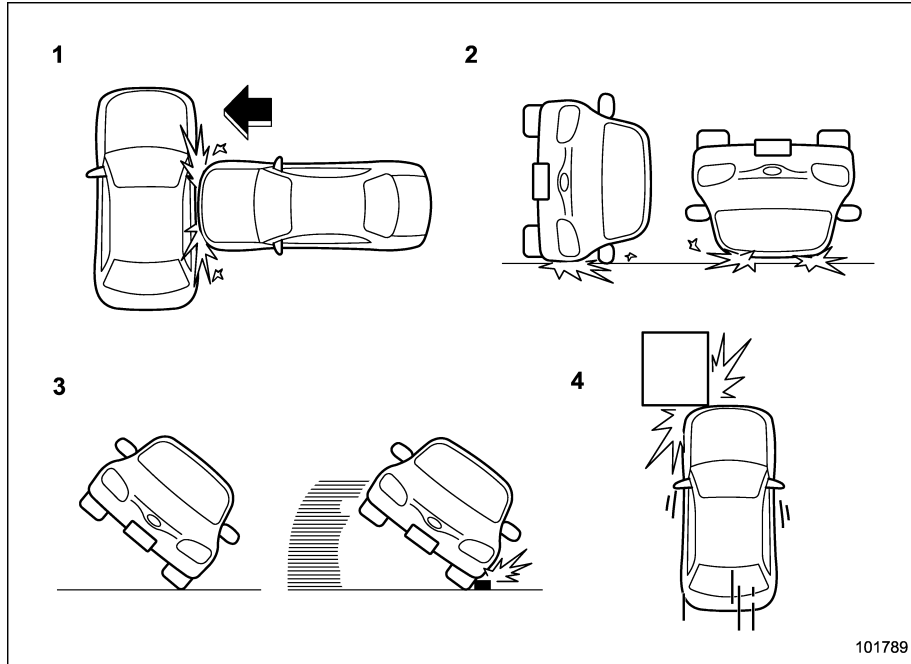
▽ Example of the type of accident in which the SRS side airbag will most likely deploy.



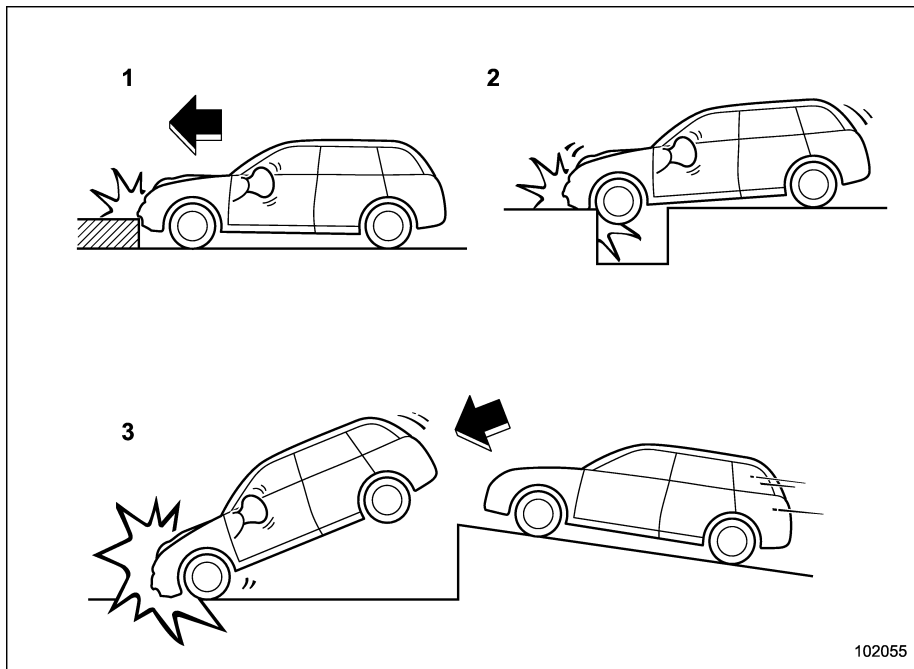
1) A severe side impact near the front seat.

▽ Examples of the types of accidents in which the SRS curtain airbag will most likely deploy.

- 1) The vehicle is involved in a severe side impact near the front seat or the rear seat.
- 2) The vehicle rolls onto its side or the roof.
- 3) The angle of vehicle tip-up is marginal or the skidding vehicle's tires hit a curbstone laterally.
- 4) An offset frontal collision that is severe enough to deploy the front airbag.



▽ Examples of the types of accidents in which it is possible that the SRS side airbag and the SRS curtain airbag will deploy.

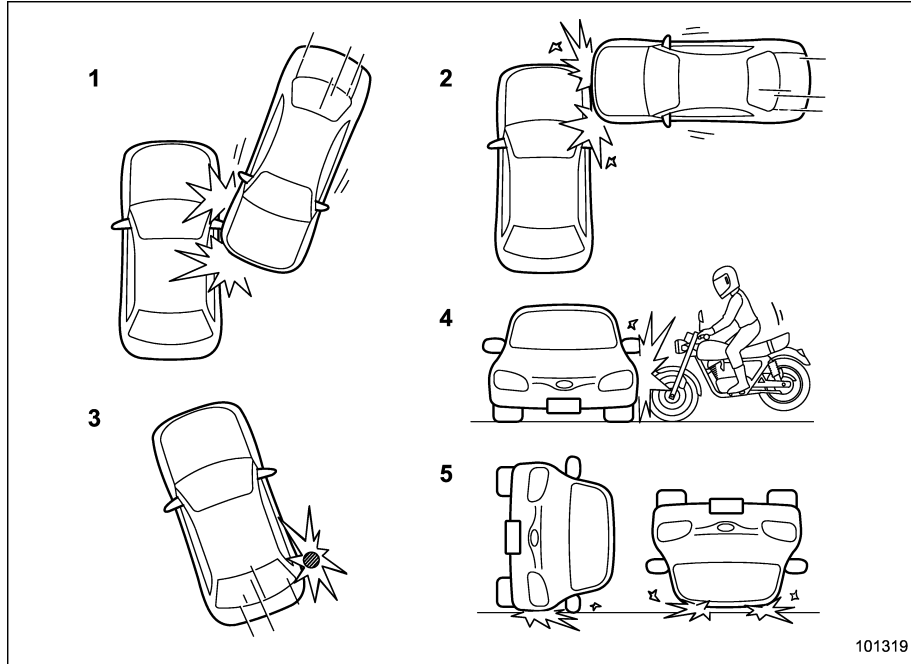


- 1) Hitting a curb, edge of pavement or hard surface
- 2) Falling into or jumping over a deep hole
- 3) Landing hard or vehicle falling

It is possible that the SRS side and curtain airbags will deploy if a serious impact occurs to the underside of your vehicle. Some examples are shown in the illustration.



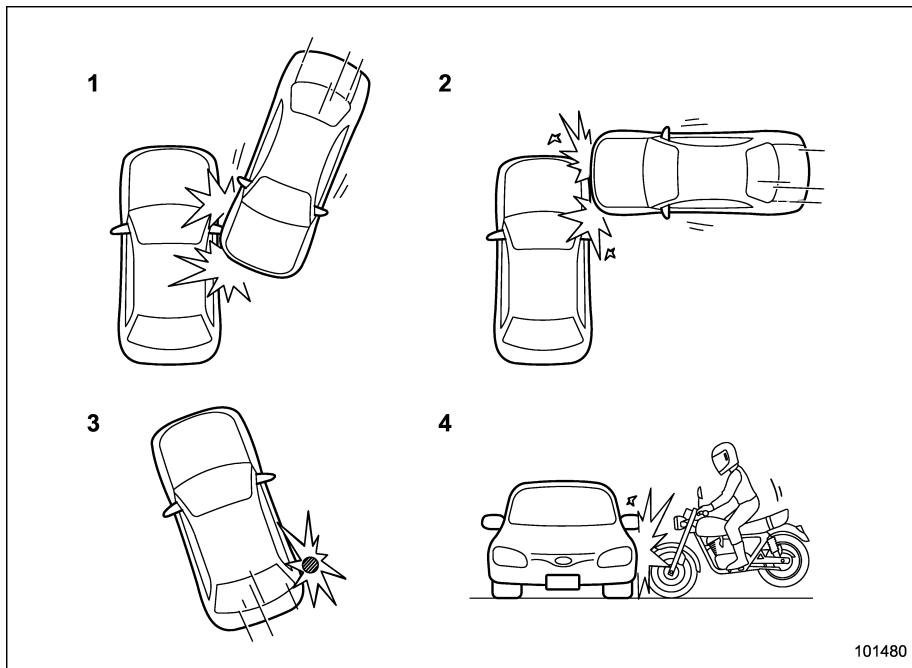
▽ Examples of the types of accidents in which the SRS side airbag is unlikely to deploy.



- 1) The vehicle is involved in an oblique side-on impact.
- 2) The vehicle is involved in a side-on impact in an area outside the vicinity of the passenger compartment.
- 3) The vehicle strikes a telephone pole or similar object.
- 4) The vehicle is involved in a side-on impact from a motorcycle.
- 5) The vehicle rolls onto its side or the roof.

There are many types of collisions which might not necessarily require SRS side airbag deployment. In the event of accidents like those illustrated, the SRS side airbag may not deploy depending on the level of accident forces involved.

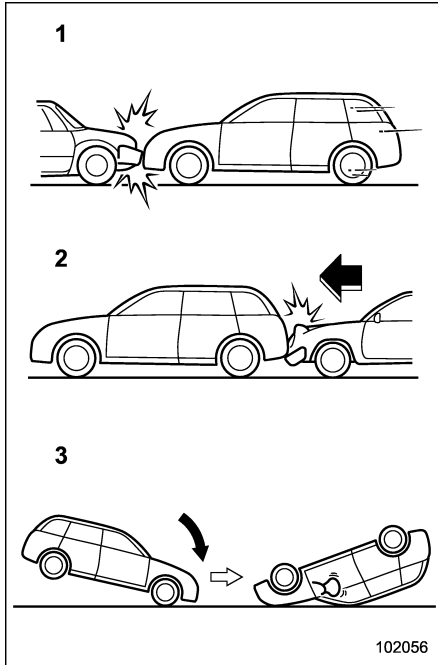
▽ Examples of the types of accidents in which the SRS curtain airbag is unlikely to deploy.



- 1) The vehicle is involved in an oblique side-on impact.
- 2) The vehicle is involved in a side-on impact in an area outside the vicinity of the passenger compartment.
- 3) The vehicle strikes a telephone pole or similar object.
- 4) The vehicle is involved in a side-on impact from a motorcycle.

There are many types of collisions which might not necessarily require SRS curtain airbag deployment. In the event of accidents like those illustrated, the SRS curtain airbag may not deploy depending on the level of accident forces involved.

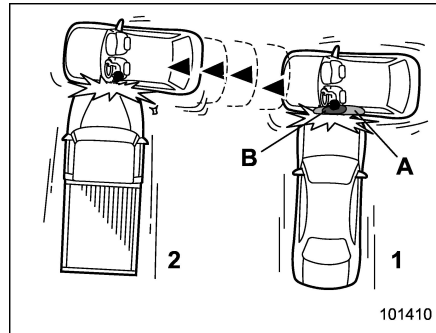
▽ **Examples of the types of accidents in which the SRS side airbag and SRS curtain airbag are not designed to deploy in most cases**



- 1) The vehicle is involved in frontal collision with another vehicle (moving or station-

- ary).
- 2) The vehicle is struck from behind.
- 3) The vehicle pitches end over end.

In the event of accidents like those illustrated, the SRS side airbag and SRS curtain airbag are not designed to deploy in most cases.



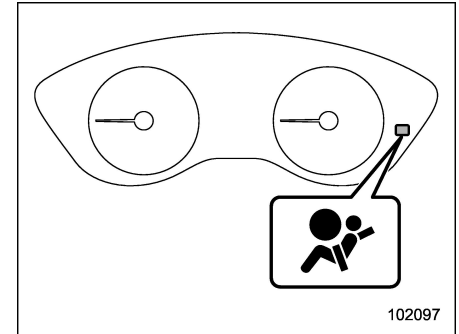
- 1) First impact
- 2) Second impact
- A) SRS curtain airbag
- B) SRS side airbag

In an accident where the vehicle is struck from the side more than once, the SRS side airbag and SRS curtain airbag deploy only once on the first impact.

Example: In the case of a double side impact collision, first with one vehicle and immediately followed by another from the

same direction, once the SRS side airbag and SRS curtain airbag are activated on the first impact, they will not be activated on the second.

■ **SRS airbag system monitors**



**SRS airbag system warning light**

A diagnostic system continually monitors the readiness of the SRS airbag system (including front seatbelt pretensioners) with the ignition switch in the "ON" position. The SRS airbag system warning light will show normal system operation by illuminating for approximately 6 seconds when the ignition switch is turned to the "ON" position.

The following components are monitored by the indicator:

- Front sub sensor
- Airbag control module (including impact sensor and rollover sensor)
- Frontal airbag module
  - Driver's side
  - Front passenger's side
- Knee airbag module (driver's side)
- Side airbag sensor
- Front door impact sensor
- Side airbag module
- Curtain airbag sensor
- Curtain airbag module
- Satellite safing sensor (under the rear center seat)
- Seatbelt pretensioner (driver's side)
- Seatbelt pretensioner and adaptive force limiter (front passenger's side)
- Lap belt pretensioner (front passenger's side)
- Seatbelt buckle switch (front passenger's side)
- Front passenger's occupant detection system sensor
- Front passenger's occupant detection control module
- Front passenger's frontal airbag ON and OFF indicator
- All related wiring

**WARNING**

If the warning light exhibits any of the following conditions, there may be a malfunction in the seatbelt pretensioners and/or SRS airbag system.

- Flashing or flickering of the warning light
- No illumination of the warning light when the ignition switch is first turned to the "ON" position
- Continuous illumination of the warning light
- Illumination of the warning light while driving

Immediately take your vehicle to your nearest SUBARU dealer to have the system checked. Unless checked and properly repaired, the seatbelt pretensioners and/or SRS airbag will not operate properly in the event of a collision, which may increase the risk of injury.

**■ SRS airbag system servicing****WARNING**

- When discarding an airbag module or scrapping the entire vehicle damaged by a collision, consult your SUBARU dealer.
- The SRS airbag has no user-serviceable parts. Do not use electrical test equipment on any circuit related to the SRS airbag system. For required servicing of the SRS airbag, consult your nearest SUBARU dealer. Tampering with or disconnecting the system's wiring could result in accidental inflation of the SRS airbag or could make the system inoperative, which may result in serious injury.

**CAUTION**

If you need service or repair in areas indicated in the following list, have the work performed by an authorized SUBARU dealer. The SRS airbag control module, impact sensors and airbag modules are stored in these areas.

- Under the center of the instrument panel
- On both the right and left sides at the front of the vehicle
- Steering wheel and column and nearby areas
- Bottom of the steering column and nearby areas
- Top of the dashboard on front passenger's side and nearby areas
- Each front seat and nearby area
- Inside each center pillar
- Inside each front door
- In each roof side (from the front pillar to a point over the rear seat)
- Between the rear seat cushion and rear wheel house on each side
- Under the rear center seat

In the event that the SRS airbag is deployed, replacement of the system should be performed only by an authorized SUBARU dealer. When the components of the SRS airbag system are replaced, use only genuine SUBARU parts.

## NOTE

In the following cases, contact your SUBARU dealer as soon as possible.

- The front part of the vehicle was involved in an accident in which only the driver's SRS frontal airbag or both driver's and front passenger's SRS frontal airbags did not deploy.
- The pad of the steering wheel, the cover over the front passenger's SRS frontal airbag, or either roof side (from the front pillar to a point over the rear seat) is scratched, cracked, or otherwise damaged.
- The center pillar, front door, rear wheel house or rear sub frame, or an area near these parts, was involved in an accident in which the SRS side airbag and SRS curtain airbag did not deploy.
- The fabric or leather of either front seatback is cut, frayed, or otherwise damaged.
- The rear part of the vehicle was involved in an accident in which no SRS airbag was deployed.

## ■ Precautions against vehicle modification

### WARNING

To avoid accidental activation of the system or rendering the system inoperative, which may result in serious injury, no modifications should be made to any components or wiring of the SRS airbag system. This includes following modifications.

- Installation of custom steering wheels
- Attachment of additional trim materials to the dashboard
- Installation of custom seats
- Replacement of seat fabric or leather
- Installation of additional fabric or leather on the front seat
- Attachment of a hands-free microphone or any other accessory to a front pillar, a center pillar, a rear pillar, the windshield, a side window, an assist grip, or any other cabin surface that would be near a deploying SRS curtain airbag.

- Installation of additional electrical/electronic equipment such as a mobile two-way radio on or near the SRS airbag system components and/or wiring is not advisable. This could interfere with proper operation of the SRS airbag system.



**CAUTION**

Do not perform any of the following modifications. Such modifications can interfere with proper operation of the SRS airbag system.

- Attachment of any equipment (bush bar, winches, snow plow, skid plate, etc.) other than genuine SUBARU accessory parts to the front end.
- Modification of the suspension system or front end structure.
- Installation of a tire of different size and construction from the tires specified on the vehicle placard attached to the driver's door pillar or specified for individual vehicle models in this Owner's Manual.
- Attachment of any equipment (side steps or side sill protectors,

etc.) other than genuine SUBARU accessory parts to the side body.

Always consult your SUBARU dealer if you want to install any accessory parts on your vehicle.

■ **How to contact the vehicle manufacturer concerning modifications for persons with disabilities that may affect the advanced airbag system**

Changing or moving any parts of the front seats, rear seat, seatbelts, front bumper, front side frame, radiator panel, instrument panel, combination meter, steering wheel, steering column, tire, suspension or floor panel can affect the operation of the SUBARU advanced airbag system. If you have any questions, you may contact the following SUBARU distributors.

<Continental U.S., Alaska and the District of Columbia>

Subaru of America, Inc.  
Customer Retailer Services Department  
One Subaru Drive  
Camden, NJ 08103-8500  
1-800-SUBARU3 (1-800-782-2783)

<Hawaii>

Subaru Hawaii  
2850 Pukoloa Street, Suite 202,  
Honolulu, HI 96819-4467  
808-839-2273

<Guam>

Shen's Corporation dba Prestige Automobile  
491, East Marine Corps Drive, Route 1  
Dededo, Guam 96921-6225  
671-633-2698

<Puerto Rico>

Trebol Motors  
P.O. Box 11204, San Juan, Puerto Rico  
00910  
787-793-2828



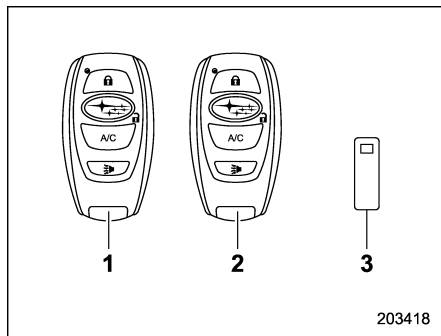




<b>2-1. Keyless access with push-button start system</b> .....	142
Key number plate .....	143
Safety precautions .....	143
Locking and unlocking by holding the access key fob .....	145
Unlock using PIN Code Access .....	149
Power saving function .....	151
Power saving function of access key fob .....	152
Disabling keyless access function .....	152
Selecting audible signal operation .....	154
Warning chimes and warning indicator .....	154
When access key fob does not operate properly .....	154
Replacing battery of access key fob .....	154
Replacing access key fob .....	154
Certification for keyless access with push-button start system .....	154
<b>2-2. Immobilizer</b> .....	155
Security indicator light .....	155
Key replacement .....	155
Certification for immobilizer system .....	156
<b>2-3. Remote keyless entry system</b> .....	156
Locking the doors .....	157
Unlocking the doors .....	157
Vehicle finder function .....	157
Sounding a panic alarm .....	157
Remote climate control system .....	158
Replacing the battery .....	159
<b>2-4. Door locks</b> .....	160
Locking and unlocking from the outside .....	160
Locking and unlocking from the inside .....	161
Key lock-in prevention function .....	162
12 V battery drainage prevention function .....	162
<b>2-5. Alarm system</b> .....	163
Alarm system operation .....	163
Arming the system .....	164
Disarming the system .....	164
Alarm system setting .....	165
If you have accidentally triggered the alarm system .....	165
Valet mode .....	165
<b>2-6. Child safety locks</b> .....	166
<b>2-7. Windows</b> .....	166
Power window operation .....	167
Initialization of power window with one-touch auto up/down function .....	169
<b>2-8. Rear gate</b> .....	169
Lock/unlock .....	169
Open/close .....	169
<b>2-9. Moonroof (if equipped)</b> .....	170
Moonroof switches .....	171
Sunshade .....	172

## 2-1. Keyless access with push-button start system

The following access key fobs are provided with the vehicle.



- 1) Access key fob (main)
- 2) Access key fob (sub)
- 3) Key number plate

The keyless access with push-button start system allows you to perform the following functions when you are carrying the access key fob.

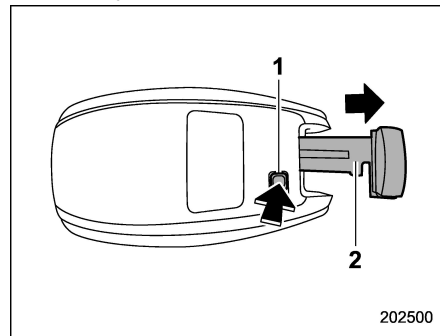
- Locking and unlocking of the doors and rear gate. Refer to “Locking and unlocking by holding the access key fob” P145.
- Starting and stopping the hybrid system. For details, refer to “Starting and stopping the hybrid system” P287.

- Arming and disarming the alarm system. For details, refer to “Alarm system” P163.

### NOTE

- Locking/unlocking using the remote keyless entry system can also be controlled with the buttons on the access key fob. For details, refer to “Remote keyless entry system” P156.
- Carefully store the key number plate supplied with the access key fob. It is necessary for vehicle repair and additional registration of access key fobs. For details, refer to “Key replacement” P155.

An emergency key is attached to each access key fob.



- 1) Release button
- 2) Emergency key

While pressing the release button of the access key fob, take out the emergency key.

The emergency key is used for the following operations.

- Locking and unlocking the driver’s door
- Locking and unlocking the glove box

### NOTE

**The glove box can be kept locked when you leave your vehicle and the access key fob (with the emergency key removed) at a parking facility.**

## ■ Key number plate

The key number is stamped on the key number plate attached to the key set. Write down the key number and keep it in another safe place, not in the vehicle. This number is needed to make a replacement key if you lose your key or lock it inside the vehicle. Refer to “Key replacement” P155.

## ■ Safety precautions

### WARNING

If you wear an implanted pacemaker or an implanted defibrillator, stay at least 8.7 in (22 cm) away from the transmitting antennas installed on the vehicle.

The radio waves from the transmitting antennas on the vehicle could adversely affect the operation of implanted pacemakers and implanted defibrillators.

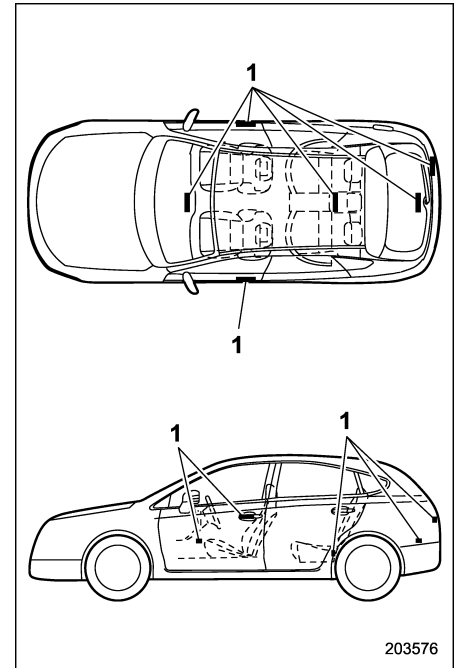
If you wear electronic medical equipment other than an implanted pacemaker or an implanted defibrillator, before using the keyless access with push-button start system, refer to “Radio waves used for the keyless access with push-button start system” mentioned later, and con-

tact the electronic medical equipment manufacturer for more information. The radio waves from the transmitting antennas on the vehicle could adversely affect the operation of the electronic medical equipment.

“Radio waves used for the keyless access with push-button start system”

- The keyless access with push-button start system uses radio waves of the following frequency\* in addition to the radio waves used for the remote keyless entry system. The radio waves are periodically output from the antennas installed on the vehicle as shown in the following illustrations.

\*: Radio frequency: 134 kHz



1) Antenna

**CAUTION**

- Never leave or store the access key fob inside the vehicle or within 6.6 ft (2 m) around the vehicle (e.g., in the garage). The access key fob may be locked inside the vehicle, or the battery may discharge rapidly. Note that the push-button ignition switch may not turn on in some cases depending on the location of the access key fob.
- The access key fob contains electronic components. Observe the following precautions to prevent malfunctions.
  - It is recommended to have the access key battery replaced at an authorized SUBARU dealer to avoid the risk of damage.
  - Do not get the access key fob wet. If the access key fob gets wet, wipe it off immediately and let it dry completely.
  - Do not apply strong impacts to the access key fob.
  - Never leave the access key fob in direct sunlight or anywhere that may become hot, such as on the dashboard. It

may damage the battery or cause circuit malfunctions.

- Do not wash the access key fob in an ultrasonic washer.
- Do not leave the access key fob in humid or dusty locations. Doing so may cause malfunctions.
- Keep the access key fob away from magnetic sources.
- Do not leave the access key fob near a personal computer or home electrical appliance.
- Do not leave the access key fob near a battery charger or any electrical accessories.
- Do not apply metallic window tint or attach metallic objects to the windows.
- Do not fit non genuine accessories or parts.
- If the access key fob is dropped, the integrated emergency key inside may become loose. Be careful not to lose the emergency key.
- When traveling in an airplane, do not press the button of the access key fob. If any button of the access key fob is pressed, radio waves are emitted and may affect

the operation of the airplane. When carrying the access key fob in a bag, take measures to prevent the buttons from being pressed accidentally.

**NOTE**

- The operational/non-operational setting for the keyless access function can be changed. For the setting procedure, refer to “Disabling keyless access function” ⓈP152.
- For detailed information about the operation method for the push-button ignition switch while the keyless access function is switched to the non-operational mode, refer to “Access key fob – if access key fob does not operate properly” ⓈP384.
- The keyless access with push-button start system uses weak radio waves. The status of the access key fob and environmental conditions may interfere with the communication between the access key fob and the vehicle under the following conditions, and it may not be possible to lock or unlock the doors or start the hybrid system.
  - When operating near a facility where strong radio waves are trans-

mitted, such as a broadcast station and power transmission lines.

- When products that transmit radio waves are used, such as an access key fob or a remote transmitter key of another vehicle.
- When carrying the access key fob of your vehicle together with the access key fob or the remote transmitter of another vehicle.
- When the access key fob is placed near wireless communication equipment such as a cell phone.
- When the access key fob is placed near a metallic object.
- When metallic accessories are attached to the access key fob.
- When carrying the access key fob with electronic appliances such as a laptop computer.
- When the battery of the access key fob is discharged.
- The access key fob is always communicating with the vehicle and is continuously using the battery. Although the life of the battery varies depending on the operating conditions, it is approximately 1 to 2 years. If the battery becomes fully discharged, replace it with a new one.
- If an access key fob is lost, it is

recommended that all of the remaining access key fobs be reregistered. For reregistration of an access key fob, contact a SUBARU dealer.

- For a spare access key fob, contact a SUBARU dealer.
- Up to 7 access key fobs can be registered for one vehicle.
- Do not leave the access key fob in the storage spaces inside the vehicle, such as the door pocket, dashboard, inside the corner of the cargo area. Vibrations may damage the key fob or turn on the switch, possibly resulting in a lockout.
- After the 12 V battery is discharged or replaced, initialization of the steering lock system may be required to start the hybrid system. In this case, perform the following procedure to initialize the steering lock.

- (1) Turn the push-button ignition switch to the “OFF” position. For details, refer to “Switching power status” *☞* P175.
- (2) Open and close the driver’s door.
- (3) Wait for approximately 10 seconds.

When the steering is locked, the initialization is completed.

● Do not leave the access key fob in the following places.

- On the instrument panel
- On the floor
- Inside the glove box
- Inside the door trim pocket
- On the rear seat
- In the cargo area

If you do, the following situations may occur.

- The access key fob is mistakenly locked inside the vehicle.
- A false warning issues although no malfunction actually occurs.
- No warning issues even when any malfunction occurs.

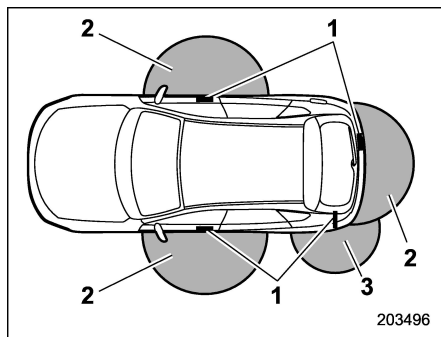
## ■ Locking and unlocking by holding the access key fob

When the access key fob is carried within the operating range, the doors and the rear gate can be locked/unlocked just by touching the door handle.

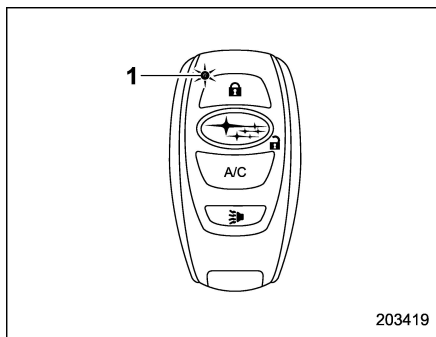
### NOTE

The vehicle can also be locked/unlocked with the remote keyless entry system. For details, refer to “Remote keyless entry system” *☞* P156.

▼ Operating ranges



- 1) Antenna
- 2) Operating range (approximately 16 to 32 in (40 to 80 cm))
- 3) Operating range for charge port door (for details about charge port door, refer to "Keyless access function and charge cable connector locking system" P43.)



1) LED indicator

When the access key fob is within either of the operating ranges of the front doors, the LED indicator on the access key fob flashes. When the keyless access functions are disabled, the LED indicator does not flash unless a button on the access key fob is pressed.

**NOTE**

- If the access key fob is placed too close to the vehicle body, the keyless access functions may not operate properly. If they do not operate properly, repeat the operation from farther away.
- If the access key fob is placed near the ground or in an elevated location from the ground, even if it is in the

indicated operating range, the keyless access function may not operate properly.

- When the access key fob is within the operating range, it is possible for anyone, even someone who is not carrying the access key fob, to operate the keyless access function. Note that the keyless access function can be operated only by the door handle, door lock sensor, rear gate opener button or rear lock button in the operating range in which the access key fob is detected.
- It is not possible to lock the doors and rear gate using the keyless access function when the access key fob is inside the vehicle. However, depending on the status of the access key fob and the environmental conditions, the access key fob may be locked inside the vehicle. Before locking the vehicle, make sure that you have the access key fob.
- When the battery of the access key fob is discharged, or when operating it in a location with strong radio waves or noise (e.g., near a radio tower, power plant, broadcast station or an area where wireless equipment is used), or while talking on a cell phone, the operating ranges may be reduced, or the keyless access function may not operate.

In such a case, perform the procedure described in “Locking and unlocking” ☞ P384.

- The doors may lock or unlock when the car is being washed or exposed to a significant amount of water that contacts the door handle while the key fob is still in the operating range.

#### ▼ How to lock and unlock

It is possible to perform the following operations when you are carrying the access key fob.

- Lock and unlock the doors (including charge port door)
- Unlock and lock rear gate

#### NOTE

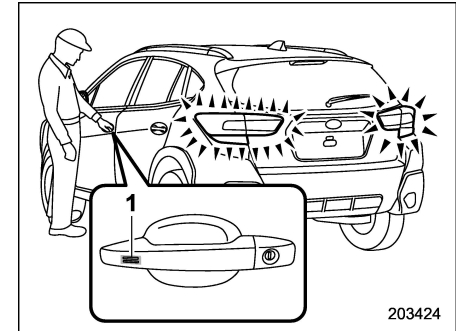
- It is not possible to lock the doors and rear gate using the keyless access function when the push-button ignition switch is in the “ACC” or “ON” position. Refer to “Switching power status” ☞ P175.
- If the door handle is gripped with a gloved hand, the door lock may not be released.
- If the door lock sensor is touched three times or more repeatedly, the system will ignore the sensor operation.
- When performing the locking procedure

too quickly, locking may not have been completed. After performing the locking procedure, it is recommended to pull the REAR door handle to confirm that the doors have been locked.

- If any of the doors (or the rear gate) are not fully closed, the following will occur to alert you that the doors (or the rear gate) are not properly closed.
  - An electronic chirp sounds five times.
  - The hazard warning flashers flash five times.
- It is possible to lock the doors even when one of the doors is open. After performing the locking procedure, close the opened door or rear gate to lock it.
- Within 3 seconds after locking the doors and the rear gate by using the keyless access function, it is not possible to unlock doors and/or the rear gate by using the keyless access function.
- When locking, be sure to carry the access key fob to prevent locking the access key fob in the vehicle.
- The setting of the hazard warning flasher operation and the volume of the audible signal can be changed by your SUBARU dealer. Contact your SUBARU dealer for details. Also, the setting of

the hazard warning flasher operation can be changed by operating the combination meter display (color LCD). For details, refer to “Keyless Entry System” ☞ P208.

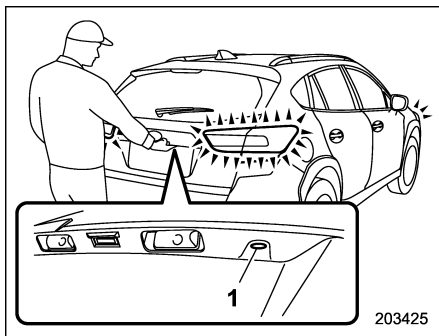
#### ▽ Locking with the door lock sensor



1) Door lock sensor

Carry the access key fob, close all doors including the rear gate, and touch the door lock sensor on the door handle. All doors including the rear gate will be locked. Also, an electronic chirp will sound once and the hazard warning flashers will flash once.

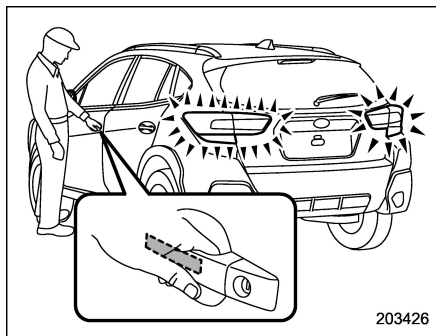
▽ Locking with the rear lock button



1) Rear lock button

Carry the access key fob, close all doors including the rear gate and press the rear lock button. The rear gate and all doors will be locked. Also, an electronic chirp will sound once and the hazard warning flashers will flash once.

▽ Unlocking

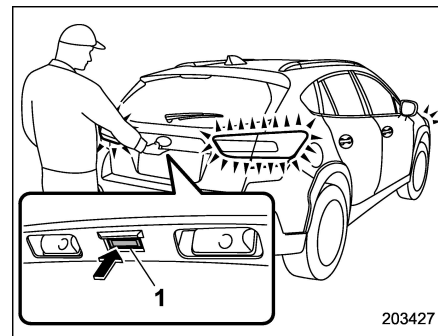


Carry the access key fob, and grip the following door handle.

- The driver's door handle: Either only the driver's door will unlock, or all doors will unlock.
- The front passenger's door handle: All doors and rear gate will be unlocked.

Also, an electronic chirp will sound twice and the hazard warning flashers will flash twice.

▽ Unlocking rear gate



1) Rear gate opener button

Carry the access key fob, and press the rear gate opener button. Either only the rear gate will unlock, or all doors will unlock. Also, an electronic chirp will sound twice and the hazard warning flashers will flash twice.



### ▼ Door unlock selection function

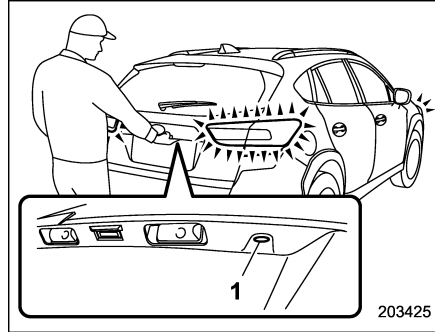
When the door is unlocked using the keyless access function, only the doors that were set can be unlocked.

The settings can be changed with the following methods.

- The setting can be changed by operating the combination meter display (color LCD). Refer to “Keyless Entry System” P208.
- The setting can be changed by a SUBARU dealer.

### ■ Unlock using PIN Code Access

When all doors including the rear gate are locked, you can unlock the doors (including rear gate) without a key by pressing the rear lock button.





1) Rear lock button

### NOTE

**PIN Code Access will be helpful if the key fob is accidentally left in the vehicle. It is recommended that a 5-digit security code (PIN code) be registered.**



▼ **Registration for a PIN code**

Steps	Operation	Time from the previous step
1	Turn off the ignition switch.	-
2	Close all doors (including rear gate).	-
3	Press and hold the “  ” button on the access key fob, and press and hold the rear lock button until a chirp sounds intermittently.	-
4	Press the “  ” button on the access key fob.	Within 30 seconds
5	The PIN code is inputted by using the rear lock button within 30 seconds after the chirp sound of step 4. For example, to register “32468” as the PIN code, perform the following procedure.	Within 30 seconds
	(1) Press the button three times.	
	(2) After a chirp sounds once, press the button twice.	
	(3) After a chirp sounds once, press the button four times.	
	(4) After a chirp sounds once, press the button six times.	
(5) After a chirp sounds once, press the button eight times.		
6	Perform step 5 again after the chirp starts sounding intermittently.	Within 30 seconds
7	All doors will be unlocked and locked. Then the PIN code will be registered.	-

**NOTE**

Press the “” button within 30 seconds of step 6 to end the preparation mode and move on to the registration stage. Unless the “” button is pressed within 30 seconds after step 6, the PIN code registration will be canceled.

**NOTE**

- Press the rear lock button ten times to enter “0”.
- Change the PIN code frequently to protect your vehicle from theft.
- If you have lent your vehicle to another person, confirm that the PIN code has not been changed or deleted. If the PIN code has been changed or deleted, reregister a new PIN code.
- If you make an error during the registration procedure, press the “” or “” button on the access key fob. Then, start over from the procedure described in “Preparation for registering a PIN code”.
- To protect your vehicle from theft, you cannot register a string of the same five numbers together, such as “00000”, nor “12345” as a PIN code.
- Do not register your vehicle license plate number or simple numbers such as “11122” or “12121” as a PIN code. Doing so will increase the risk of vehicle theft.
- When you try to register “22222”, the registered PIN code will be deleted. You cannot unlock the doors by PIN Code Access until a new code is registered.
- After registering a new PIN code, make sure that you can unlock the doors using the PIN code.

- The PIN code cannot be deleted while the keyless access function is disabled by operating the access key fob.
- Reregister the PIN code in the following cases.
  - When you forget the PIN code.
  - When you want to change the PIN code.

**▼ Unlocking**

Input the registered PIN code by using the rear lock button.

**NOTE**

- You cannot unlock by PIN Code Access in the following cases.
  - When the access key fob is within the operating ranges.
  - When the ignition switch is in the “ACC” or “ON” position.
- If you make an operation error during the unlocking procedure, start over with the unlocking procedure after waiting for 5 seconds or longer.
- To protect your vehicle from theft, a buzzer will sound if incorrect PIN codes are entered five times continuously. If this occurs, you cannot unlock the doors by PIN Code Access for 5 minutes.

**■ Power saving function**

The keyless access function will be disabled in the following cases to protect the access key fob battery and the vehicle battery.

- **Case 1:** When the keyless access function and the remote keyless entry system have not been used for 2 weeks or longer while all doors are locked.

Operate one of the following items to recover the keyless access function:

- Unlock the doors by operating any procedure other than gripping the front passenger’s door handle.
- Lock the doors.
- Open a door and then close it.

- **Case 2:** When the access key fob has been left in the operating range for 10 minutes or longer while all doors are locked

Operate one of the following items to recover the keyless access function:



- Unlock the doors by gripping the door handle.
- Unlock the doors by pressing the rear gate opener button.
- Lock the doors by touching the door lock sensor.
- Lock or unlock the doors by using

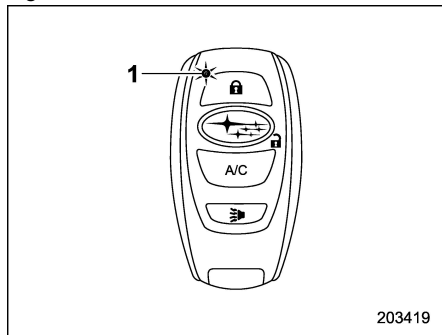
the remote keyless entry system.

- Lock or unlock the doors by using the power door locking switch.
- Open either of the front doors.

### ■ Power saving function of access key fob

This function stops the access key fob from receiving signals and helps minimize the battery consumption of the access key fob.

1. Press the “” button twice while holding the “” button.



1) LED indicator



2. Confirm that the LED indicator blinks 4 times to notify that the setting is complete. When the access key fob is in the power save mode, the keyless access function

and push-button start system will not be available.

To cancel the power save mode, press one of the buttons on the access key fob.

### ■ Disabling keyless access function


#### WARNING

**If you wear an implanted pacemaker or an implanted defibrillator, perform the procedure described in “By operating the driver’s door”  P153 to disable the keyless access function. If you perform the procedure described in “By operating the access key fob”  P152, the operation of an implanted pacemaker or implanted defibrillator may be affected by the radio waves from the transmitter antenna.**

When the vehicle is not going to be used for a long time, or when you choose not to use the keyless access function, the keyless access function can be disabled.


#### NOTE

- **The locking and unlocking function by the remote keyless entry system is not disabled.**

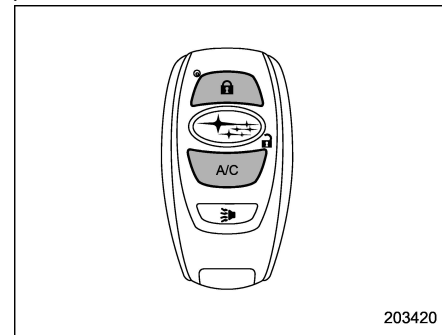
- **To start the hybrid system while the functions are disabled, perform the procedure described in “Starting the hybrid system”  P385.**


#### ▼ Disabling functions

##### ▽ By operating the access key fob

If you have registered a PIN code for PIN Code Access, you can disable the keyless access function by operating the access key fob. For details about registering a PIN code, refer to “Unlock using PIN Code Access”  P149.

1. Open the driver’s door.
2. Rotate the lock lever toward the lock position.

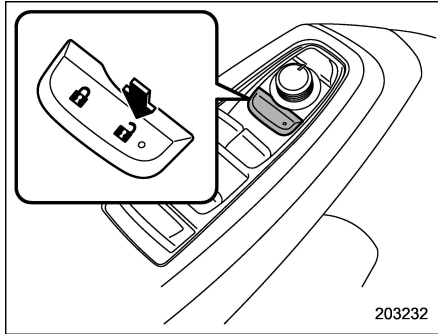


3. Press and hold the “” button and A/C button on the access key fob simulta-

neously for more than 5 seconds.

A chirp sound will be heard, and the function will be disabled.

▽ **By operating the driver's door**



Steps	Operation	Time	Status
1	Sit in the driver's seat, and close the door.	-	Close
2	Push "🔒" on the power door locking switch.	-	Close
3	Open the driver's door.	Within 5 sec.	Close → Open
4	Push "🔒" on the power door locking switch twice.	Within 5 sec.	Open
5	Close and open the driver's door.	Within 10 sec.	Open → Close → Open → Close → Open
6	Push "🔒" on the power door locking switch twice while the door is open.	Within 10 sec.	Open
7	Close and open the driver's door once.	Within 10 sec.	Open → Close → Open
8	Close the door.	Within 5 sec.	Open → Close

A chirp will sound and the functions will be disabled.

## NOTE

In steps 4 and 6, press the power door locking switch slowly. If the switch is pressed quickly, the functions may not be disabled.

### ▼ Enabling functions

When the procedure to disable the functions is performed again, a chirp sound will be heard, and the functions are enabled.

## NOTE

- The keyless access function will be enabled only if you perform the procedure in the same manner you disabled the function (for example, when disabling by operating the driver's door, the function will not be enabled even if you operate the access key fob).
- Press the push-button ignition switch if you do not know the procedure in which the keyless access function was disabled.
  - When disabling by operating the driver's door: a chirp will not be heard.
  - When disabling by operating the access key fob: a chirp will be heard.

## ■ Selecting audible signal operation

Using an electronic chirp, the system will give you an audible signal when the doors lock and unlock. If desired, you may turn the audible signal off. For more details, contact a SUBARU dealer.

## NOTE

The setting can be changed by operating the combination meter display (color LCD). For details, refer to "Vehicle Setting" ⓄP208.

## ■ Warning chimes and warning indicator

The keyless access with push-button start system sounds a warning chime and flashes the access key warning indicator on the combination meter in order to minimize improper operations and help protect your vehicle from theft.

For details, refer to "Warning chimes and warning indicator of the keyless access with push-button start system" ⓄP194.

## ■ When access key fob does not operate properly

Refer to "Access key fob – if access key fob does not operate properly" ⓄP384.

## ■ Replacing battery of access key fob

Refer to "Replacing battery of access key fob" ⓄP437.

## ■ Replacing access key fob

Access key fobs can be replaced at SUBARU dealers. For more details, contact a SUBARU dealer.

## ■ Certification for keyless access with push-button start system

FCC ID: HYQ14AHK

FCC ID: Y8PFJ18-1

FCC ID: Y8PSSPIMB02



**CAUTION**

### FCC WARNING

Changes or modifications not expressly approved by the party responsible for compliance could void the user's authority to operate the equipment.

## NOTE

This device complies with part 15 of the FCC Rules. Operation is subject to the following two conditions: (1) This de-

vice may not cause harmful interference, and (2) this device must accept any interference received, including interference that may cause undesired operation.

## 2-2. Immobilizer

The immobilizer system is designed to prevent an unauthorized person from starting the hybrid system. Only keys registered with your vehicle's immobilizer system can be used to operate your vehicle. If the hybrid system start is attempted with an unregistered access key fob, the hybrid system will not start. Even if the hybrid system does start, it will stop after a few seconds. This system, however, is not a 100% anti-theft guarantee.



### CAUTION

- Do not place the key under direct sunlight or anywhere it may become hot.
- Do not get the key wet. If the key gets wet, wipe it dry with a cloth immediately.
- Do not modify or remove the system. If modified or removed, the proper operation of the system cannot be guaranteed.

### NOTE

- To protect your vehicle from theft, please pay close attention to the follow-

ing security precautions:

- Never leave your vehicle unattended with its keys inside.
- Before leaving your vehicle, close all windows and the moonroof, and lock the doors and rear gate.
- Do not leave spare keys or any record of your key number in the vehicle.
- The vehicle has a maintenance-free type immobilizer system.

### ■ Security indicator light

Refer to "Security indicator light" P199.

### ■ Key replacement

Your key number plate will be required if you ever need a replacement key made. Any new key must be registered for use with your vehicle's immobilizer system before it can be used. You can register a maximum of seven access key fobs.

One key that has already been registered is required in order to register a new key.

### NOTE

If you lose a key, the lost key's ID code still remains in the memory of the vehicle's immobilizer system. For security reasons, the lost key's ID code

should be erased from the memory. To erase the lost key's ID code, all keys that will be used are required.

For details about new key registration and erasing the lost key's ID code, contact your SUBARU dealer.

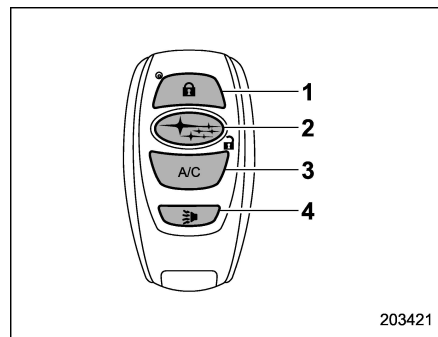
### ■ Certification for immobilizer system

Refer to "Certification for keyless access with push-button start system" P154.

## 2-3. Remote keyless entry system

### CAUTION

- Do not expose the remote transmitter to severe shocks, such as those experienced as a result of dropping or throwing.
- Do not take the remote transmitter apart except when replacing the battery.
- Do not get the remote transmitter wet. If it gets wet, wipe it dry with a cloth immediately.
- When you carry the remote transmitter on an airplane, do not press the button of the remote transmitter while in the airplane. When any button of the remote transmitter is pressed, radio waves are sent and may affect the operation of the airplane. When you carry the remote transmitter in a bag on an airplane, take measures to prevent the buttons of the remote transmitter from being pressed.



#### Access key fob

- 1) Lock/arm button
- 2) Unlock/disarm button
- 3) A/C button
- 4) PANIC button

The remote keyless entry system has the following functions.

- Locking and unlocking the doors (and rear gate)
- Sounding a panic alarm
- Operating the remote climate control system. For details, refer to "Remote climate control system" P158.
- Arming and disarming the alarm system. For details, refer to "Alarm system" P163.



The operable distance of the remote keyless entry system is approximately 30 feet (10 meters). However, this distance will vary depending on environmental conditions. The system's operable distance will be shorter in areas near a facility or electronic equipment emitting strong radio waves such as a power plant, broadcast station, TV tower, or remote controller of home electronic appliances.

## NOTE

- **The remote keyless entry system will not be activated when the push-button ignition switch is in any position other than the "OFF" position.**
- **The hazard warning flashers will flash once or twice when the access key fob button is pressed in the following cases.**
  - When locking the doors
  - When unlocking the doors

**Operation of the hazard warning flashers in the above cases can be set to "On" or "Off" by a SUBARU dealer. Consult your SUBARU dealer for details.**

## ■ Locking the doors

Press the lock/arm button to lock all doors and rear gate. An electronic chirp will sound once and the hazard warning flashers will flash once.

If any of the doors (or the rear gate) are not fully closed, the following will occur to alert you that the doors (or the rear gate) are not properly closed.

- An electronic chirp sounds five times.
- The hazard warning flashers flash five times.

When you close the door, it will automatically lock and then the following will occur.

- An electronic chirp sounds once.
- The hazard warning flashers flash once.

## ■ Unlocking the doors

Press the unlock/disarm button to unlock the driver's door. An electronic chirp will sound twice and the hazard warning flashers will flash twice. To unlock all doors and the rear gate, briefly press the unlock/disarm button a second time within 5 seconds.

## NOTE

**If the interval between the first and second presses of the unlock/disarm**

**button (for unlocking of all of the doors and the rear gate) is extremely short, the system may not respond.**

## ■ Vehicle finder function

Use this function to find your vehicle parked among many vehicles in a large parking lot. Provided you are within 30 feet (10 meters) of the vehicle, pressing the lock/arm button three times in a 5-second period will cause your vehicle's horn to sound once and its hazard warning flashers to flash three times.

## NOTE

**If the interval between presses is too short when you press the lock/arm button three times, the system may not respond to the signals from the remote transmitter.**

## ■ Sounding a panic alarm

To activate the alarm, press the "PANIC" button once.

The horn will sound and the hazard warning flashers will flash.

To deactivate the panic alarm, press any button on the remote transmitter. Unless a button on the remote transmitter is pressed, the alarm will be deactivated after approximately 30 seconds.

## ■ Remote climate control system

### ⚠ WARNING

- Precautions for the remote climate control system;
  - Do not use the system if people are in the vehicle. Even when the system is in use, the internal temperature may still reach a high or low level due to features such as the automatic shut-off. Children and pets left inside the vehicle may suffer heatstroke dehydration or hypothermia, which could result in death or serious injury.
  - Depending on the surrounding environment, signals from the A/C button on the access key fob may transmit further than expected. Pay appropriate attention to the vehicle's surroundings and use the button only when necessary.
  - Do not operate the A/C button on the access key fob if the engine hood is open. The remote climate control system may operate unintentionally

and objects may be drawn into the electrical cooling fan.

### ⚠ CAUTION

To prevent the high voltage battery from being discharged through incorrect operation. Use the A/C button on the access key fob only when necessary.

The remote climate control system uses electrical energy stored in the high voltage battery and allows the climate control system to be operated by remote control. If the remote climate control system is used while the charge cable is connected to the vehicle, the reduction of charge in the high voltage battery will be suppressed to allow you to use electricity from an external power source.

Charging will be conducted automatically after the remote climate control system is stopped.

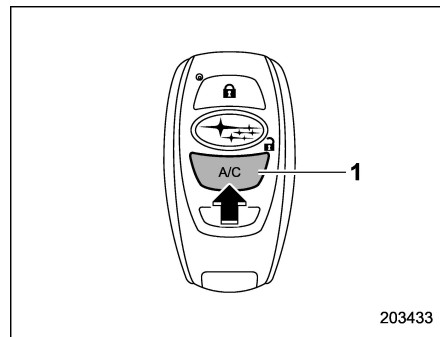
#### ▼ Before leaving the vehicle

The remote climate control system is set to a predetermined temperature. The remote climate control system operates at that set temperature.

SUBARU STARLINK subscribers can

check the temperature setting from a smartphone. For details, refer to Owner's manual supplement for SUBARU STARLINK Safety and Security.

#### ▼ How to use the remote climate control system



1) A/C button

To operate the remote climate control system, press and hold the A/C button on the access key fob.

To cancel the system, press the A/C button twice.

#### NOTE

**When the remote climate control system operates, all doors will be locked.**

### ▽ Operating conditions

The system will only operate if all of the following conditions are met.

- The shift position is in the “P” position.
- The ignition switch is off.
- All doors are closed.
- The engine hood is closed.

### NOTE

● The system may not start in the following situations.

- The charge level of the high voltage battery is low.
- The outside temperature is extremely low.
- When the hybrid system is cool (for example, after being left for a long time in low temperatures).

### ▽ Remote climate control system automatic shut-off

The system will automatically shut off under the following conditions.

- About 10 minutes have passed since operation began.
- Any one of the operating conditions is not met.

The system may also shut off if the charge level of the high voltage battery drops to low.

### NOTE

● When defogging the windshield using the remote climate control system, defogging may be insufficient due to the power being restricted more than during normal climate control operation. Also, the outside of the windshield may fog up due to the outside temperature, humidity or climate control set temperature.

● When the outside heat exchanger becomes frosted over, heating performance may decline due to automatically switching to the frost removal operation.

● Any unlocked doors will be automatically locked when the system is operating. The buzzer sounds and the hazard warning flashers flash to indicate that the doors have been locked or the system has been turned off.

(The doors locked: Once; The system turned off: Three times)

● While the remote climate control system is operating

- Depending on the operating condition of the remote climate control system, the electric fan and electric compressor may spin and an operating noise may be heard. However, this does not indicate a malfunction.
- Depending on the operating con-

ditions, the electric fan and electric compressor may operate intermittently. However, this does not indicate a malfunction.

– The remote climate control system may stop operating temporarily if other features that use electronic equipments are in operation or if the charge level of the 12 V battery becomes low.

– The headlights, windshield wiper, combination meter, etc. will not operate while the remote climate control system is operating.

● It is possible to use the smartphone application to operate the remote climate control system. For details, refer to Owner’s Manual supplement for SUBARU STARLINK Safety and Security.

### ■ Replacing the battery

Refer to “Replacing key battery” P436.

## 2-4. Door locks

### ■ Locking and unlocking from the outside

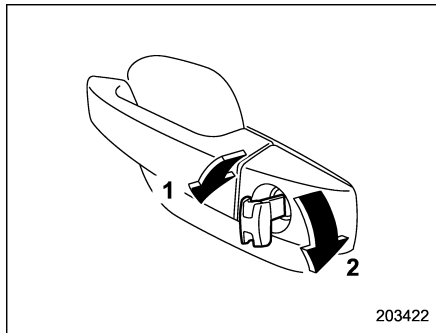
#### NOTE

If you unlock the driver's door with a key (including an emergency key) and open the door while the alarm system is armed, the alarm system is triggered and the vehicle's horn sounds. In this case, perform any of the following operations:

- Press any button on the access key fob (except when the access key fob battery is discharged).
- Press the push-button ignition switch to "ACC".
- Carry the access key fob and perform either of the following procedures.
  - Grip the front door handle
  - Press the rear gate opener button

For details about the alarm system, refer to "Alarm system" P163.

### ▼ How to lock and unlock the vehicle by using the key



- 1) Rotate the key toward the front to lock.
- 2) Rotate the key toward the rear to unlock.

In this case, only the driver's side door is locked.

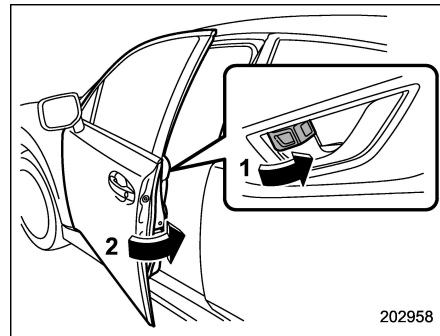
#### NOTE

- The emergency key is directional. If the key cannot be inserted, change the direction in which the key is inserted.
- When the driver's door is locked/unlocked using the emergency key, the charge port door is also locked/unlocked.

### ▼ How to lock the vehicle without using the key

To lock the door from outside without the key, the following methods are available.

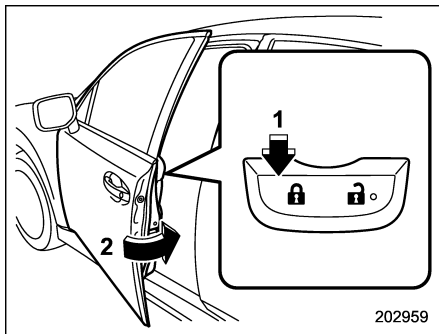
#### ▽ Locking using lock lever



- 1) Rotate the lock lever forward.
- 2) Close the door.

In this way, only the door that was operated will be locked.

### ▽ Locking using power door locking switch



- 1) Press the lock side of the power door locking switch.\*
- 2) Close the door.

\*: For details about the power door locking switch, refer to "How to operate the power door locking switches" P161.

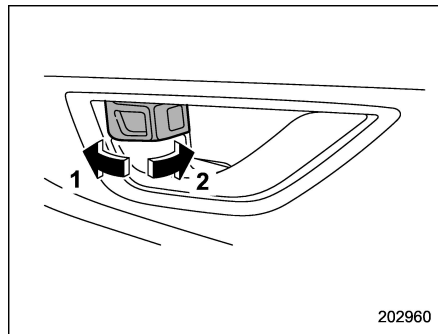
In this case, all closed doors and the rear gate are locked at the same time.

### NOTE

**Make sure that you do not leave the key inside the vehicle when locking the doors from the outside without the key.**

### ■ Locking and unlocking from the inside

#### ▽ How to use the lock lever



- 1) Rotate the lock lever rearward to unlock.
- 2) Rotate the lock lever forward to lock.

Always make sure that all doors and the rear gate are closed before starting to drive.

The red mark on the lock lever appears when the door is unlocked.

### ⚠ WARNING

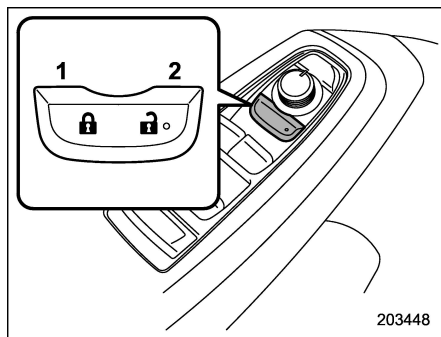
Keep all doors locked when you drive, especially when small children are in your vehicle.

Along with the proper use of seatbelts and child restraints, locking the doors reduces the chance of being thrown out of the vehicle in an accident.

It also helps prevent passengers from falling out if a door is accidentally opened, and intruders from unexpectedly opening doors and entering your vehicle.

#### ▽ How to operate the power door locking switches

All doors and the rear gate can be locked and unlocked using the power door locking switches located at the driver's side and the front passenger's side doors.



203448

**Example**

- 1) Press to lock
- 2) Press to unlock

**NOTE**

Make sure that you do not leave the key inside the vehicle before locking the doors from the outside using the power door locking switches.

**■ Key lock-in prevention function**

Under the ignition switch is in the “ACC” or “ON” position, all the doors will not lock when the door lock switch is pushed with the driver door open.

**NOTE**

- When leaving the vehicle, make sure you are holding the key before locking the doors.
- The factory setting (default setting) for this function is set as “operational”. This function’s operational/non-operational setting can be changed by a SUBARU dealer. Contact a SUBARU dealer for details.
- When getting out of the vehicle from a rear door, make sure to unlock all the doors by pushing the unlock side of the power door locking switch.

If a rear door is unlocked from the inside door lever then the door is opened and closed, the Key lock-in prevention function will be triggered. All doors will be unlocked, the Key lock-in prevention warning indicator “🔑” will appear and the warning chime will also sound.

**▼ Non-operation of key lock-in prevention function**

When the system is set so that it does not operate, the doors are locked by the following operation.

- If the lock lever is turned to the front (“LOCK”) position with the driver’s door open and the driver’s door is then closed with the lock lever in that position, the driver’s door is locked.
- If the spare key is used to lock the driver’s door from the outside of the vehicle, the door is locked.

**■ 12 V battery drainage prevention function**

If a door or the rear gate is not completely closed, the interior lights will remain illuminated as a result. However, several lights are automatically turned off by the battery drainage prevention function to prevent the battery from discharging. The following interior lights are affected by this function.

Item	Switch position	Automatically turning off
Map lights	DOOR	Approximately 20 minutes later
Dome light	DOOR	Approximately 20 minutes later

Item	Switch position	Automatically turning off
Ignition switch light	—	Approximately 20 minutes later
Cargo area light	DOOR	Approximately 20 minutes later

### NOTE

- The default setting for this function is set as “operational”. The operational/non-operational setting of this function can be changed by a SUBARU dealer. Contact your SUBARU dealer to change the setting.
- When leaving the vehicle, please make sure that all doors and the rear gate are completely closed.

## 2-5. Alarm system

The alarm system helps to protect your vehicle and valuables from theft. The horn sounds and the hazard warning flashers flash if someone attempts to break into your vehicle.

The system can be armed or disarmed with the keyless access function or access key fob.

The system will not be activated when the push-button ignition switch is in the “ACC” or “ON” position.

Your vehicle’s alarm system has been set for activation at the time of shipment from the factory. You can set the system for deactivation yourself or have it done by your SUBARU dealer.

### ■ Alarm system operation

When the alarm system is armed, it is triggered by opening any of the doors, the rear gate or engine hood.

The alarm system will activate the following alarms when triggered.

- The vehicle’s horn will sound for 30 seconds.
- The hazard warning flashers will flash for 30 seconds.

If any of the doors, the rear gate or engine hood remains open after the 30-second period, the horn will continue to sound for a maximum of 3 minutes. If the door, the rear gate or engine hood is closed while the horn is sounding, the horn will stop sounding with a delay of up to 30 seconds.

### NOTE

The alarm system can be set to illuminate the following interior lights.

- Map lights (illuminates only when the door interlock switch is in the “DOOR” position)
- Dome light (illuminates only when the dome light switch is in the “DOOR” position)
- Cargo area light (illuminates only when the cargo area light switch is in the “DOOR” position)

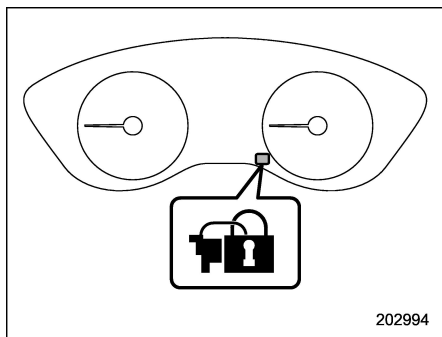
The notifications regarding the map lights, dome light and cargo area light are deactivated as the factory setting. A SUBARU dealer can activate the system. Contact your SUBARU dealer for details.

## ■ Arming the system

The alarm system becomes armed when the following operation is performed.

1. Close all windows and the moonroof (if equipped) and turn the ignition switch to the "OFF" position.
2. Carry the access key fob and get out of the vehicle.
3. Make sure that the engine hood is closed.
4. Lock the doors using any of the following methods.

- Locking using the remote keyless entry system. For details, refer to "Remote keyless entry system" P156.
- Locking using the keyless access function. For details, refer to "Locking with the door lock sensor" P147.
- Locking using the power door locking switch. For details, refer to "Locking using power door locking switch" P161.



Security indicator light

### NOTE

- All doors and the rear gate will lock, an electronic chirp will sound once, the hazard warning flashers will flash once, and the security indicator light will start flashing rapidly.
- If any of the doors or the rear gate is not fully closed, an electronic chirp sounds five times and the hazard warning flashers flash five times to indicate that the doors (or the rear gate) are not properly closed. When the doors are closed, doors will automatically lock.

5. Approximately 30 seconds later, the system will enter surveillance state.

When the system is in surveillance state,

the security indicator light will then flash slowly (twice approximately every 2 seconds), indicating that the system has been armed for surveillance.

### NOTE

- The system can be armed even if the windows and/or moonroof are open. Always make sure that they are fully closed before arming the system.
- The 30-second standby time can be eliminated if you prefer. Have it performed by your SUBARU dealer.
- If any of the following actions is done during the standby period, the system will not switch to the surveillance state.
  - Doors (including the rear gate) are unlocked using the access key fob.
  - Doors (including the rear gate) are unlocked using the keyless access function.
  - Any door (including the rear gate) is opened.
  - Push-button ignition switch is turned to the "ACC" position.

## ■ Disarming the system

Perform either of the following procedures.

- Briefly press a button (for less than 2 seconds) on the access key fob.



- Carry the access key fob and perform either of the following procedures.
  - Grip the front door handle.
  - Press the rear gate opener button.
  - Unlock using the PIN code access.

The flashing of the security indicator light will then change slowly (once approximately every 3 seconds from twice approximately every 2 seconds), indicating that the alarm system has been disarmed.

### ▼ Emergency disarming

If you cannot disarm the system using the access key fob (i.e. the transmitter battery is too weak), you can disarm the system.


The system can be disarmed if you turn the ignition switch from the “OFF” to the “ACC” or “ON” position with an access key fob.

### NOTE

If the access key fob battery is discharged, perform the procedure described in “Switching power status” ☞P385. In such a case, replace the battery immediately. Refer to “Replacing battery of access key fob” ☞P437.

### ■ Alarm system setting

To change the setting of your vehicle’s alarm system for activation or deactivation, do the following.

1. Disarm the alarm system. Refer to “Disarming the system” ☞P164.
2. Sit in the driver’s seat and shut all doors, rear gate and engine hood.
3. Turn the ignition switch to the “ON” position.
4. Hold down “” of the driver’s power door locking switch, open the driver’s door within the following 1 second, and wait 10 seconds without releasing the switch. The setting will then be changed as follows.

Setting status	Combination meter display	Horn
Activate	AL ON	Once
Deactivate	AL OFF	Twice

### NOTE

You may have the above setting change done by your SUBARU dealer.

### ■ If you have accidentally triggered the alarm system

#### ▼ To stop the alarm

Do any of the following operations:

- Press any button on the access key fob.
- Turn the push-button ignition to the “ACC” position.

### NOTE

Only registered access key fobs will

**stop the alarm. If the access key fob is not registered, the alarm will not stop.**

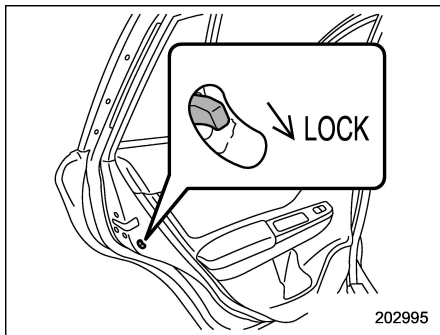
### ■ Valet mode

When you choose the valet mode, the alarm system does not operate. In valet mode, the remote transmitter is used only for locking and unlocking the doors and rear gate and panic activation.

To enter the valet mode, change the setting of your vehicle’s alarm system for deactivation mode. Refer to “Alarm system setting” ☞P165. The security indicator light will continue to flash once every 3 seconds indicating that the system is in the valet mode.

To exit valet mode, change the setting of your vehicle’s alarm system for activation mode. Refer to “Alarm system setting” ☞P165.

## 2-6. Child safety locks



Each rear door has a child safety lock. When the child safety lock lever is in the lock position, the door cannot be opened from inside. The door can only be opened from the outside.

### **⚠ WARNING**

Always turn the child safety locks to the “LOCK” position when children sit in the rear seat. Serious injury could result if a child accidentally opens the door and falls out.

## 2-7. Windows

### **⚠ WARNING**

To avoid serious personal injury caused by entrapment, always conform to the following instructions without exception.

- When operating the power windows, be extremely careful to prevent anyone’s fingers, arms, neck, head or other objects from being caught in the window.
- Always lock the passengers’ windows using the lock switch when children are riding in the vehicle.
- Always carry the key when you leave the vehicle for safety reasons and never allow an unattended child to remain in the vehicle. Failure to follow this procedure could result in injury to a child operating the power window.

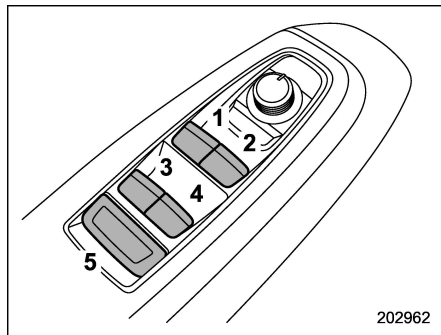
The power windows operate when the ignition switch is in the “ON” position.

## NOTE

- If the power window system detects resistance, an impact or an abnormality, the window operation may be automatically stopped to prevent further jamming, entrapment or malfunction.
  - The closing window slides down slightly and stops.
  - The opening window stops sliding down.
- The power window system may detect resistance, an impact or an abnormality in the following cases.
  - A substantial sized object is caught between the window and the window frame.
  - A foreign object is caught between the window and the window frame.
  - The vehicle drives over a deep pothole.
- The window cannot be closed for a few seconds after the window is automatically stopped by the system.

## ■ Power window operation

### ▼ Power window switches

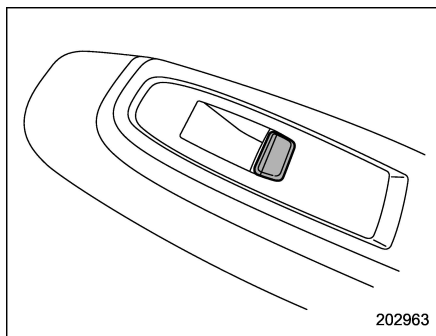


#### Driver's side power window switches

- 1) For front left window (with one-touch auto up and down feature)
- 2) For front right window (with one-touch auto up and down feature)
- 3) For rear left window
- 4) For rear right window
- 5) Lock switch

All door windows can be controlled by the power window switch cluster at the driver side door.

These switches illuminate when activated.

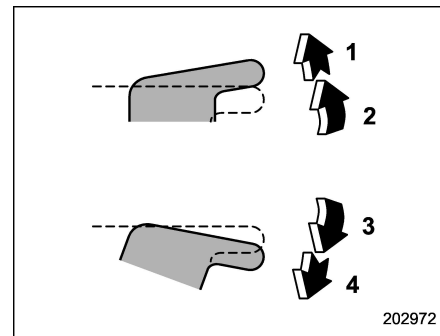


#### Passenger's side power window switches

Each passenger's window can be controlled by the power window switch located on the door.

These switches illuminate when activated.

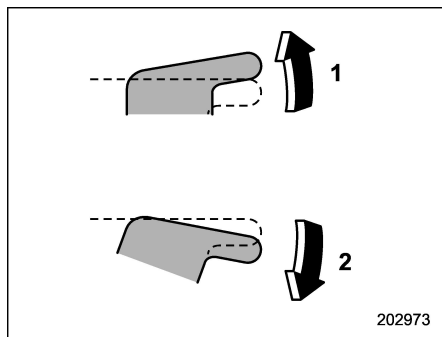
### ▼ Operating the window



#### With one-touch auto up and down feature

- 1) Automatically close\*
- 2) Close
- 3) Open
- 4) Automatically open\*

\*: To stop the window halfway, operate the switch to opposite side.



202973

Without one-touch auto up and down feature

- 1) Close
- 2) Open

## NOTE

Avoid the following.

- Continuously operating a switch in the same direction after the window is fully closed or fully opened.
- Continuously operating three or more switches all at once in the same direction after the windows are fully closed or fully opened.

Either of the operations described above may cause the power window breaker to operate making it impossible to open or close the window. Be sure to initialize the power windows. If they are

not initialized, the one-touch auto up/down function will not operate. Refer to “Initialization of power window with one-touch auto up/down function” P169.

### ▼ Anti-entrapment function (windows with one-touch auto up/down function)

While closing the window automatically, if the window senses a substantial enough object trapped between the window and the window frame, it automatically moves down slightly and stops.

If a foreign object is caught while window is opening automatically, the window will stop.



## CAUTION

- Never attempt to test this function using fingers, hands or other parts of your body.
- The anti-entrapment function may not operate properly if some object gets trapped just before the window fully closes.

## NOTE

● If a window detects an impact similar to that caused by trapping an object (for example, when the vehicle encounters

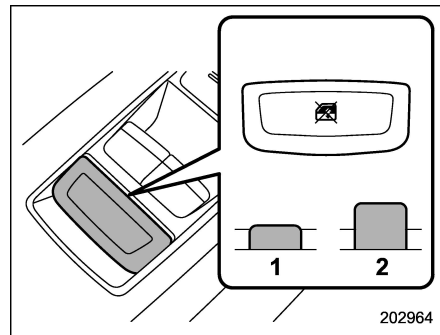
a deep pothole), the anti-entrapment function may operate.

- The window cannot be operated for a few seconds after the anti-entrapment function operates.

### ▼ Off delay function (windows with one-touch auto up/down function)

The windows can be operated for approximately 40 seconds even after the ignition switch is turned to the “ACC” or “OFF” position. If a front door is opened within 40 seconds, the off delay function is canceled.

### ▼ Locking the passenger's windows



202964

- 1) Lock
- 2) Unlock

When the lock switch is in the lock position, the rear passenger's window switches on

the driver side door and the passenger's window switches cannot be operated.

When the indicator on the window switches does not illuminate, the window switch cannot be operated.

### ■ Initialization of power window with one-touch auto up/down function

If the power window automatic function (one-touch auto up and down function) does not operate properly, operate each window according to the following procedure in order to initialize the power window system.

1. Close the door.
2. Turn the ignition switch to the "ON" position.
3. Open the window completely and then press and hold down the power window switch for approximately 1 second.
4. Close the window completely and then pull and hold the power window switch for approximately 1 second.

## 2-8. Rear gate

### ⚠ WARNING

- To prevent dangerous exhaust gas from entering the vehicle, always keep the rear gate closed while the hybrid system is running.
- Do not attempt to shut the rear gate while holding the recessed grip. Also avoid closing the rear gate by pulling on the recessed grip from inside the cargo space. There is a danger of your hand being caught and injured.

### NOTE

If the rear gate cannot be unlocked due to a discharged 12 V battery, a malfunction in the door locking/unlocking system or other causes, you can unlock it by manually operating the rear gate lock release lever.

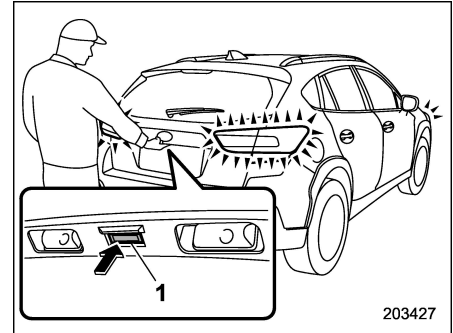
For the procedure, refer to "Rear gate – if the rear gate cannot be opened" P388.

### ■ Lock/unlock

The rear gate can be locked and unlocked using any of the following systems.

- Power door locking switch: Refer to "How to operate the power door locking switches" P161.
- Keyless access with the push-button start system: Refer to "Keyless access with push-button start system" P142.
- Remote keyless entry system: Refer to "Remote keyless entry system" P156.

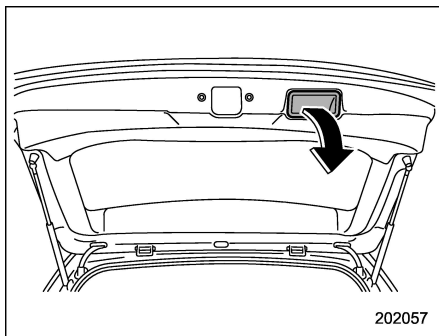
### ■ Open/close



- 1) The rear gate opener button

#### To open:

First unlock the rear gate lock then push the rear gate opener button.



202057

**To close:**

Lower the rear gate slowly and push down firmly until the latch engages.

The rear gate can be lowered easily if you pull it down holding the recessed grip.

**CAUTION**

- Do not jam a plastic bag in or place cellophane tape on the rear gate stays or scratch the stays while loading or unloading cargo. That could cause leakage of gas from the stays, which may result in their inability to hold the rear gate open.

- Be careful not to hit your head or face on the rear gate when opening or closing the rear gate and when loading or unloading cargo.

**2-9. Moonroof (if equipped)****WARNING**

Never let anyone's hands, arms, head or any objects protrude from the moonroof. A person could be seriously injured if any of the following conditions occur.

- The vehicle stops suddenly.
- The vehicle turns sharply.
- The vehicle is involved in an accident.
- Body parts protruding from the vehicle are struck by outside objects.

To avoid serious personal injury caused by entrapment, always conform to the following instructions without exception.

- Before closing the moonroof, make sure that no one's hands, arms, head or other objects will be accidentally caught in the moonroof.
- Always carry the key when you leave the vehicle for safety reasons and never allow an unattended child to remain in the

vehicle. Failure to follow this procedure could result in injury to a child operating the moonroof.

- Never try to check the anti-entrapment function by deliberately placing part of your body in the moonroof.

### ⚠ CAUTION

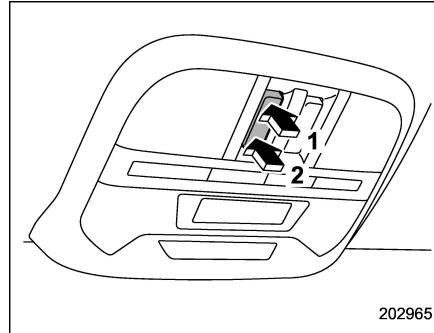
- Do not sit on the edge of the open moonroof.
- Do not operate the moonroof if falling snow or extremely cold conditions have caused it to freeze shut.
- The anti-entrapment function does not operate when the moonroof is being tilted down. Be sure to confirm that it is safe to do so before tilting the moonroof down.
- If the moonroof does not close, have the system checked by a SUBARU dealer.

The moonroof has both tilting and sliding functions.

The moonroof operates only when the ignition switch is in the "ON" position.

## ■ Moonroof switches

### ▼ Tilting moonroof



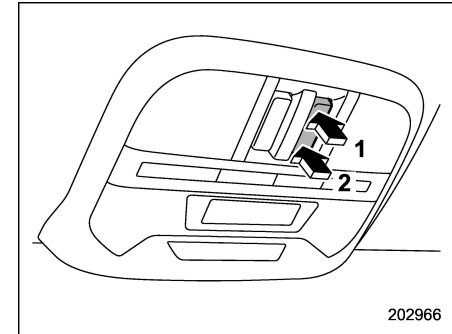
- 1) Up
- 2) Down

To raise the moonroof, press and hold the switch in the up side and release. To lower the moonroof, press and hold the switch in the down side.

### NOTE

Release the switch after the moonroof has been raised or has been lowered completely. Pressing the switch continuously may cause damage to the moonroof.

### ▼ Sliding moonroof



- 1) Open
- 2) Close

To open or close the moonroof using the automatic function, press and hold the switch toward the open/close side and release.

To stop the moonroof halfway, press a switch on the moonroof switch.

### NOTE

- After washing the vehicle or after it rains, wipe away water on the roof prior to opening the moonroof to prevent drops of water from falling into the passenger compartment.

- For the sake of safety, it is recommended that you avoid driving with the moonroof fully opened.

#### ▼ Anti-entrapment function

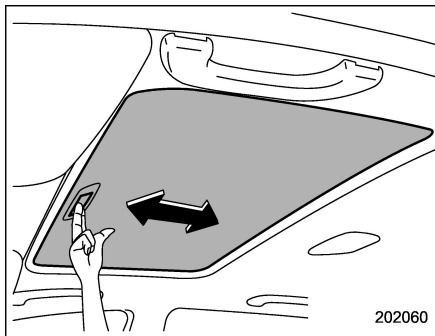
When the moonroof senses a substantial enough object trapped between its glass and the vehicle's roof during closure, it automatically moves back to the fully open position and stops there. The anti-entrapment function may also be activated by a strong shock on the moonroof even when there is nothing trapped.



#### CAUTION

**Never attempt to test this function using fingers, hands or other parts of your body.**

#### ■ Sunshade



The sunshade can be slid forward or backward by hand while the moonroof is closed.

If the moonroof is opened, the sunshade also moves back.



<b>3-1. Push-button ignition switch.....</b>	<b>175</b>
Safety precautions.....	175
Operating range for push-button start system.....	175
Switching power status.....	175
When access key fob does not operate properly.....	176
<b>3-2. Hazard warning flasher .....</b>	<b>177</b>
<b>3-3. Meters and gauges .....</b>	<b>177</b>
Speedometer .....	177
Power meter .....	177
Odometer .....	178
Double trip meter.....	178
Fuel gauge .....	179
Hybrid Battery Charge Status.....	179
Driver Assist indicator .....	180
Combination meter settings .....	180
<b>3-4. Illumination brightness control .....</b>	<b>180</b>
Auto dimmer cancel function .....	181
<b>3-5. Warning and indicator.....</b>	<b>181</b>
Initial illumination for system check.....	181
Seatbelt warning light and chime .....	182
SRS airbag system warning light .....	183
Front passenger's frontal airbag ON and OFF indicators .....	183
CHECK ENGINE warning light/Malfunction indicator light .....	184
Hybrid READY indicator light.....	185
Hybrid Fail Lamp .....	185
Hybrid Battery Charge Mode indicator.....	185
Hybrid Battery Save Mode indicator .....	185
EV (Electric Vehicle) mode lamp .....	185
Hybrid system overheat warning light.....	185
Timer charging setting indicator.....	185
Charge cable connection indicator .....	185
Engine hood open warning light.....	185
Coolant temperature high warning light.....	185
Charge warning light.....	186
Oil pressure warning light .....	186
Engine low oil level warning light .....	187
Windshield washer fluid warning light .....	187
Low tire pressure warning light.....	187
ABS warning light .....	188
Brake system warning light.....	189
Electronic parking brake indicator light .....	190
Low fuel warning light.....	191
Hill Holder indicator light.....	192
Door open warning light.....	192
AWD warning light .....	192
Power steering warning light.....	192
Vehicle Dynamics Control warning light/ Vehicle Dynamics Control operation indicator light.....	193
Vehicle Dynamics Control OFF indicator light.....	194
Warning chimes and warning indicator of the keyless access with push-button start system.....	194
Security indicator light .....	199
SI-DRIVE indicator light.....	199
Select lever position indicator .....	200
Turn signal indicator lights.....	200
High beam indicator light .....	200
High beam assist indicator light .....	200

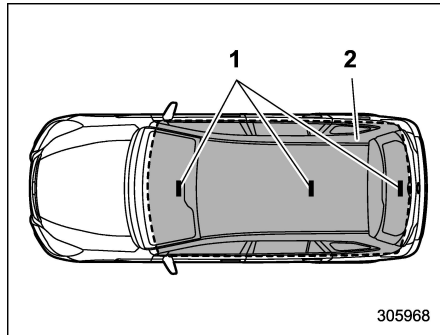
Automatic headlight beam leveler warning light.....	200	Setting screen.....	218
LED headlight warning light.....	200	How to get the source code using the open source .....	227
Steering Responsive Headlight warning light/ Steering Responsive Headlight OFF indicator light.....	200	<b>3-8. Clock .....</b>	<b>228</b>
Front fog light indicator light .....	200	Setting the clock manually .....	228
Headlight indicator light.....	200	Setting the clock automatically.....	230
X-MODE indicator .....	201	Regulatory information.....	230
Hill descent control indicator .....	201	<b>3-9. Light control switch .....</b>	<b>231</b>
BSD/RCTA warning indicator.....	201	Precautions and tips .....	231
BSD/RCTA OFF indicator .....	201	Headlights .....	231
RAB warning indicator.....	201	High/low beam change (dimmer) .....	233
RAB OFF indicator.....	201	Headlight flasher.....	233
Icy road surface warning indicator .....	201	High beam assist function.....	233
<b>3-6. Combination meter display (color LCD) .....</b>	<b>202</b>	Daytime running light system.....	236
Basic operation .....	202	<b>3-10. Steering Responsive Headlight (SRH).....</b>	<b>237</b>
Welcome screen (opening animation) and Good-bye screen (ending animation).....	203	<b>3-11. Headlight beam leveler .....</b>	<b>238</b>
Warning screen .....	203	<b>3-12. Fog light switch.....</b>	<b>238</b>
Telltale screen .....	204	<b>3-13. Turn signal lever.....</b>	<b>239</b>
Basic screens.....	205	One-touch lane changer .....	239
Menu screens.....	207	<b>3-14. Wiper and washer.....</b>	<b>239</b>
<b>3-7. Multi-function display (color LCD) .....</b>	<b>209</b>	Windshield wiper and washer switches .....	241
Features .....	209	Rear window wiper and washer switch .....	242
Welcome screen .....	209	<b>3-15. Mirrors.....</b>	<b>243</b>
Self-check screen .....	209	Inside mirror .....	243
Interruption screen .....	210	Outside mirrors.....	243
Basic operation .....	211	<b>3-16. Defogger and deicer.....</b>	<b>244</b>
Basic screens.....	211	<b>3-17. Tilt/telescopic steering wheel.....</b>	<b>245</b>
		Heated Steering Wheel system (if equipped).....	246
		<b>3-18. Horn.....</b>	<b>247</b>

### 3-1. Push-button ignition switch

#### ■ Safety precautions

Refer to “Safety precautions” P143.

#### ■ Operating range for push-button start system



- 1) Antenna
- 2) Operating range

#### NOTE

- If the access key fob is not detected within the operating range of the antennas inside the vehicle, the push-button ignition switch and the hybrid system start cannot be operated.
- Even when the access key fob is

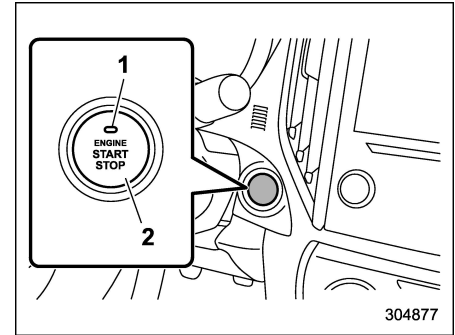
outside the vehicle, if it is placed too close to the glass, it may be possible to switch the power or to start the hybrid system.

- Do not leave the access key fob in the following places. It may become impossible to operate the push-button ignition switch and the hybrid system start. It may also cause a false warning to issue although no malfunction actually occurs, or not to issue a warning when any malfunction occurs.

- On the instrument panel
- On the floor
- Inside the glove box
- Inside the door trim pocket
- On the rear seat
- In the cargo area

- When operating the push-button ignition switch or starting the hybrid system, if the access key fob battery is discharged, perform the procedure described in “Access key fob – if access key fob does not operate properly” P384. In such a case, replace the battery immediately. Refer to “Replacing battery of access key fob” P437.

#### ■ Switching power status



- 1) Operation indicator
- 2) Push-button ignition switch

The power is switched every time the push-button ignition switch is pressed.

1. Carry the access key fob, and sit in the driver's seat.
2. Shift the select lever into the “P” position.
3. Press the push-button ignition switch without depressing the brake pedal. Every time the button is pressed, the power is switched in the sequence of “OFF”, “ACC”, “ON” and “OFF”. When the hybrid system is stopped and the push-button ignition switch is in “ACC” or “ON”, the operation indicator on the push-button ignition switch illuminates in orange.

Power status	Indicator color	Operation
OFF	Turned off	Power is turned off.
ACC	Orange	The following systems can be used: audio and accessory power outlet.
ON	Orange (while hybrid system is stopped)	All electrical systems can be used.
	Turned off (while hybrid system is running)	



**CAUTION**

- When the push-button ignition switch is left in “ON” (while the hybrid system is not running) or “ACC” for a long time, it may result in 12 V battery discharge.
- Do not spill drinks or other liquids on the push-button ignition switch. It may cause a malfunction.
- Do not touch the push-button ignition switch with a hand soiled with oil or other contaminants. It

may cause a malfunction.

- If the push-button ignition switch does not operate smoothly, stop the operation. Contact a SUBARU dealer immediately.
- If the push-button ignition switch does not illuminate even when the instrument panel illumination is turned on, have the vehicle inspected at a SUBARU dealer.
- If the vehicle was left in the hot sun for a long time, the surface of the push-button ignition switch may get hot. Be careful not to burn yourself.

**NOTE**

- When operating the push-button ignition switch, firmly press it all the way.
- If the push-button ignition switch is pressed quickly, the power may not turn on or off.
- If the indicator light on the push-button ignition switch flashes in green when the push-button ignition switch is pressed, steering is locked. When this occurs, press the push-button ignition switch while turning the steering wheel left and right.

▼ **12 V battery drainage prevention function**

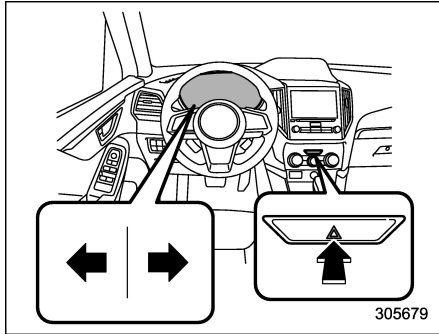
To prevent the 12 V battery from running out, the power status switches to the “OFF” position automatically when the power status of the ignition switch is in the following position.

- The power status is in the “ACC” position and the vehicle has 20 minutes left.
- The power status is in the “ON” position and the vehicle has 1 hour left.

■ **When access key fob does not operate properly**

Refer to “Access key fob – if access key fob does not operate properly” P384.

### 3-2. Hazard warning flasher



The hazard warning flasher is used to warn other drivers when you have to park your vehicle under emergency conditions. The hazard warning flasher works regardless of the position of the ignition switch.

To turn on the hazard warning flasher, push the hazard warning button on the instrument panel. All the turn signal lights and the turn signal indicator lights will flash. To turn off the flasher, push the button again.

#### NOTE

**When the hazard warning flasher is on, the turn signals do not work.**

### 3-3. Meters and gauges

#### NOTE

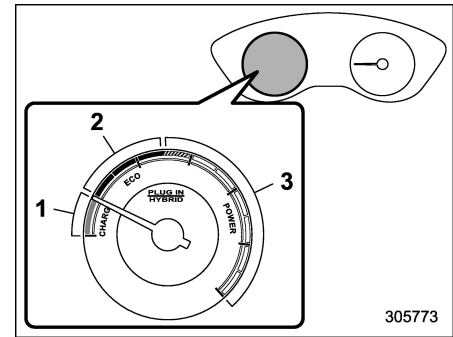
Some of the meters and gauges on the combination meter use liquid-crystal displays. You will find their indications hard to see if you wear polarized glasses.

#### ■ Speedometer

The speedometer shows the vehicle speed.

#### ■ Power meter

The indication of the power meter will change depending on the operation of the accelerator pedal. It shows the energy output conditions during driving and the regeneration energy status.



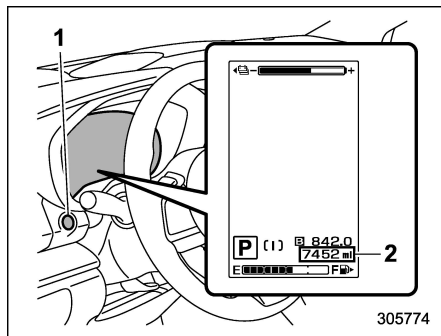
- 1) Charging area
- 2) Eco area
- 3) Power area

**Charging area:** It shows the energy recovery status by regenerating the energy system.

**Eco area:** It shows the eco driving status.

**Power area:** It shows the exceeding status of eco driving.

## ■ Odometer



- 1) TRIP RESET switch
- 2) Odometer

This meter displays the odometer when the ignition switch is in the “ON” position. The odometer shows the total distance that the vehicle has been driven.

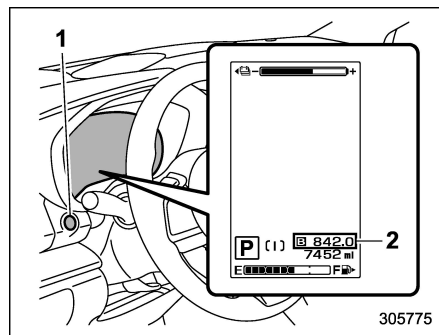
### NOTE

If you press the TRIP RESET switch when the ignition switch is in the “OFF” or “ACC” position, the odometer/trip meter will light up.

The indicators will turn off when:

- The TRIP RESET switch is not operated for approximately 10 seconds.
- The driver’s door is opened and then closed.

## ■ Double trip meter

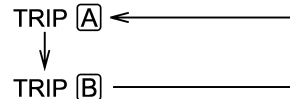


- 1) TRIP RESET switch
- 2) Trip meter

This meter displays the two trip meters when the ignition switch is in the “ON” position.

The trip meter shows the distance that the vehicle has been driven since you last set it to zero.

The display can be switched as shown in the following sequence by pressing the TRIP RESET switch.



To set the trip meter to zero, select the A trip or B trip meter by pressing the TRIP RESET switch and keep the knob pressed for more than 2 seconds.

### ⚠ CAUTION

To ensure safety, do not attempt to change the function of the indicator during driving, as an accident could result.

### NOTE

- If the connection between the combination meter and 12 V battery is broken for any reason such as vehicle maintenance or fuse replacement, the data recorded on the trip meter will be lost.
- If you press the TRIP RESET switch when the ignition switch is in the “OFF” or “ACC” position, the odometer/trip meter will light up. It is possible to switch between the A trip meter and B

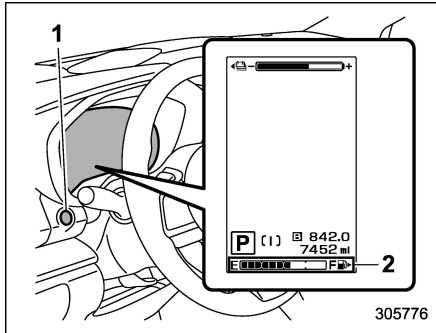
trip meter indications while the odometer/trip meter is lit up.

In addition, it is possible to reset the trip meter by pressing and holding the TRIP RESET switch.

The indicators will turn off when:

- The TRIP RESET switch is not operated for approximately 10 seconds.
- The driver's door is opened and then closed.

## ■ Fuel gauge



- 1) TRIP RESET switch
- 2) Fuel gauge

The fuel gauge is displayed when the ignition is in the "ON" position, and it shows the approximate amount of fuel remaining

in the tank.

The gauge indication may change slightly during braking, turning or acceleration due to fuel level movement in the tank.

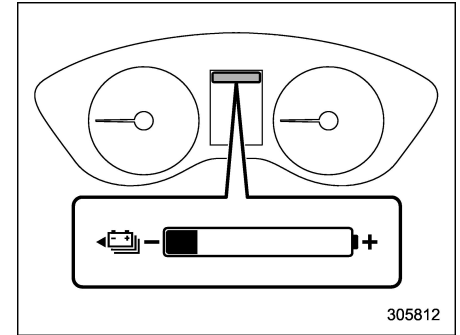
## NOTE

- The "⛽▶" sign will be shown in the fuel gauge. This indicates that the fuel filler door is located on the right side of the vehicle.
- If you press the TRIP RESET switch while the ignition switch is in the "OFF" or "ACC" position, the fuel gauge will light up and indicate the amount of fuel remaining in the tank.

The indicators will turn off when:

- The TRIP RESET switch is not operated for approximately 10 seconds.
- The driver's door is opened and then closed.

## ■ Hybrid Battery Charge Status

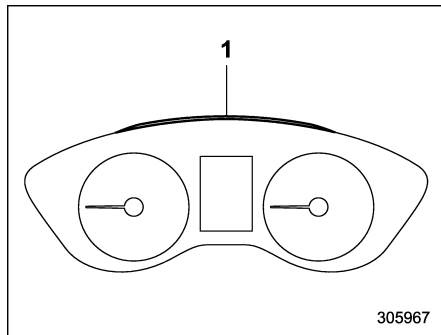


It shows the remaining power in the high voltage battery.

## NOTE

- The remaining power in the high voltage battery decreases depends on the driving conditions of the vehicle. Also, the remaining amount may decrease due to system power consumption even though the vehicle is not being driven.
- The "⚡" sign will be shown in the Hybrid Battery Charge Status. This indicates that the charge port door is located on the left side of the vehicle.

## ■ Driver Assist indicator



1) Driver Assist indicator

The Driver Assist indicator illuminates for approximately 5 seconds after switching to Hybrid Battery Save Mode or Hybrid Battery Charge Mode.

It also blinks slowly when charging from an external power supply is in progress.

The Driver Assist indicator setting can be set on the combination meter. Refer to “Driver Assist Indicator” P207.

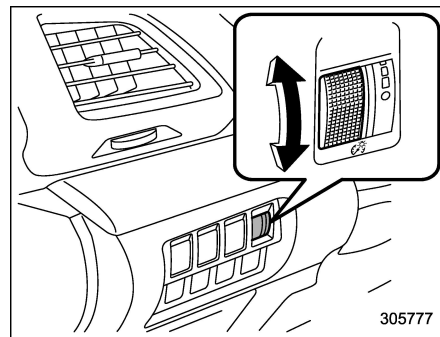
## NOTE

**The Driver Assist indicator also blinks and illuminates when the EyeSight system is operating. For details, refer to the Owner’s Manual supplement for the EyeSight system.**

## ■ Combination meter settings

Meter and vehicle settings can be set on the combination meter display (color LCD). Refer to “Menu screens” P207.

## 3-4. Illumination brightness control



The illumination brightness of the instrument panel illuminates under the following conditions.

- When the light switch is in the “ $\text{☰}$ ” or “ $\text{☷}$ ” position.
- When the light control switch is in the “AUTO” position and the headlights illuminate automatically.

You can adjust the illumination brightness for better visibility.

To brighten, turn the control dial upward.

To darken, turn the control dial downward.



**NOTE**

- When the control dial is turned fully upward, the illumination brightness becomes the maximum and the automatic dimming function does not work at all.
- The brightness setting is not canceled even when the ignition switch is turned to the “OFF” position.

**■ Auto dimmer cancel function**


When the ambient light is bright, the illumination brightness is set to the maximum regardless of the position of the control dial. In this case, you cannot adjust the illumination brightness by using the control dial. When the ambient light is dark, you can dim the illumination brightness as described above.


The operational/non-operational setting and sensitivity of the auto dimmer cancel function can be changed by your SUBARU dealer. Contact your SUBARU dealer for details.


**3-5. Warning and indicator****■ Initial illumination for system check**


Several of the warning and indicator lights illuminate when the ignition switch is initially turned to the “ON” position. This permits checking the operation of the bulbs.


Apply the parking brake and turn the ignition switch to the “ON” position. For the system check, several of the following lights illuminate and then turn off after several seconds or after the hybrid system has started.


: Seatbelt warning light (The seatbelt warning light turns off only when the driver fastens the seatbelt.)

PASSENGER  
: Front passenger's seatbelt warning light (The seatbelt warning light turns off only when the front seat passenger fastens the seatbelt.)

: SRS airbag system warning light


ON / : Front passenger's frontal airbag ON indicator light


OFF / : Front passenger's frontal airbag OFF indicator light

CHECK ENGINE  
: CHECK ENGINE warning light/Malfunction indicator light

: Coolant temperature high warning light

: Charge warning light


: Oil pressure warning light

: Low tire pressure warning light

ABS: ABS warning light


BRAKE: Brake system warning light


PARK: Electronic parking brake indicator light


: Low fuel warning light


: Hill holder indicator light


AWD: AWD warning light

: Power steering warning light

: Vehicle Dynamics Control warning light/  
Vehicle Dynamics Control operation indicator light

OFF  
: Vehicle Dynamics Control OFF indicator light

: Automatic headlight beam leveler warning light

: Hill descent control indicator

If any lights fail to illuminate, it indicates a burned-out bulb or a malfunction of the corresponding system.

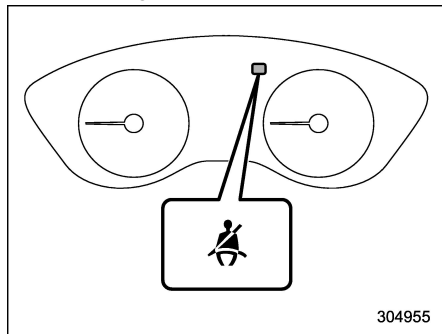
Consult your authorized SUBARU dealer for repair.

## ■ Seatbelt warning light and chime



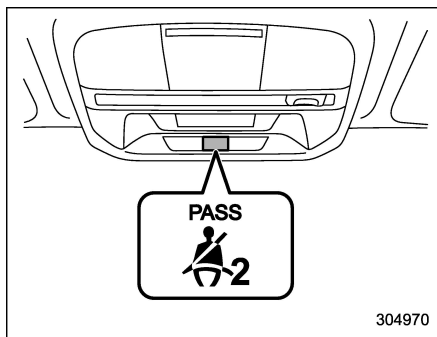
Your vehicle is equipped with a seatbelt warning device at the driver's and front passenger's seat, as required by current safety standards.

With the ignition switch turned to the "ON" position, this device reminds the driver and front passenger to fasten their seatbelts by illuminating the warning lights in the locations indicated in the following illustration and sounding a chime.



304955

Driver's warning light



304970

Front passenger's warning light

### ▼ Operation

If the driver and/or front passenger have/has not yet fastened the seatbelt(s) when the ignition switch is turned to the "ON" position, the seatbelt warning light(s) will flash for several seconds, to warn that the seatbelt(s) is/are unfastened. If the driver's seatbelt is not fastened, a chime will also sound simultaneously.

### NOTE

- If the driver's and/or front passenger's seatbelt(s) are/is still not fastened 6 seconds later, the seatbelt warning device operates as follows according to the vehicle speed.

- At speeds lower than approximately 9 mph (15 km/h)

The warning light(s) for unfastened seatbelt(s) will alternate between steady illumination and flashing at 15-second intervals. The chime will not sound.

- At speeds higher than approximately 9 mph (15 km/h)

The warning light(s) for unfastened seatbelt(s) will alternate between flashing and steady illumination at 15-second intervals and the chime will sound while the warning light(s) is/are flashing.

- It is possible to cancel the warning operation that follows the 6-second warning after turning ON the ignition switch. When the ignition switch is turned ON next time, however, the complete sequence of the warning operation resumes. For further details about canceling the warning operation, please contact your SUBARU dealer.

If there is no passenger on the front passenger's seat, the seatbelt warning device for the front passenger's seat will be deactivated. The front passenger's occupant detection system monitors whether or not there is a passenger on the front passenger's seat.

Observe the following precautions. Failure to do so may prevent the device from functioning correctly or cause the device to

fail.

- Do not install any accessory such as a table or TV onto the seatback.
- Do not store a heavy load in the seatback pocket.
- Do not allow the rear seat occupant to place his/her hands or legs on the front passenger's seatback, or allow him/her to pull the seatback.
- Do not use front seats with their backward-forward position and seatback not being locked into place securely. If any of them are not locked securely, adjust them again. For adjusting procedure, refer to "Manual seat (passenger's seat)" P73.

If the seatbelt warning device for the front passenger's seat does not function correctly (e.g., it is activated even when the front passenger's seat is empty or it is deactivated even when the front passenger has not fastened his/her seatbelt), take the following actions.

- Ensure that no article is placed on the seat other than a child restraint system and its child occupant, although we strongly recommend that all children sit in the rear seat properly restrained.
- Ensure that there is no article left in the seatback pocket.
- Ensure that the backward-forward position and seatback of front passenger's

seat are locked into place securely by moving the seat back and forth.

If still the seatbelt warning device for front passenger's seat does not function correctly after taking relevant corrective actions described above, immediately contact your SUBARU dealer for an inspection.

### ■ SRS airbag system warning light



#### ▲ WARNING

If the warning light exhibits any of the following conditions, there may be a malfunction in the seatbelt pretensioners and/or SRS airbag system. Immediately take your vehicle to your nearest SUBARU dealer to have the system checked. Unless checked and properly repaired, the seatbelt pretensioners and/or SRS airbag will not operate properly in the event of a collision, which may increase the risk of injury.


- Flashing or flickering of the warning light
- No illumination of the warning light when the ignition switch is first turned to the "ON" position.


- Continuous illumination of the warning light
- Illumination of the warning light while driving

For details about the components monitored by the warning light, refer to "SRS airbag system monitors" P135.

### ■ Front passenger's frontal airbag ON and OFF indicators



ON <sub>2</sub>: Front passenger's frontal airbag ON indicator

OFF <sub>2</sub>: Front passenger's frontal airbag OFF indicator

The front passenger's frontal airbag ON and OFF indicators show you the status of the front passenger's SRS frontal airbag.

The indicator is displayed near the map lights.

When the ignition switch is turned to the "ON" position, both the ON and OFF indicators illuminate for 6 seconds during which time the system is checked. Following the system check, both indicators turn off for 2 seconds. After that, one of the indicators illuminates depending on the status of the front passenger's SRS frontal airbag determined by the SUBARU advanced frontal airbag system monitoring.

If the front passenger's SRS frontal airbag is activated, the passenger's frontal airbag ON indicator will illuminate while the OFF indicator will remain off.

If the front passenger's SRS frontal airbag is deactivated, the passenger's frontal airbag ON indicator will remain off while the OFF indicator will illuminate.

With the ignition switch turned to the "ON" position, if both the ON and OFF indicators remain illuminated or off simultaneously even after the system check period, the system is malfunctioning. Contact your SUBARU dealer immediately for an inspection.

## ■ CHECK ENGINE warn- ing light/Malfunction indicator light

CHECK  
ENGINE



CAUTION

**If the CHECK ENGINE light illuminates while you are driving, have your vehicle checked/repared by your SUBARU dealer as soon as possible. Continued vehicle operation without having the emission control system checked and repaired as necessary could cause serious damage, which may not be covered by your vehicle's warranty.**

If this light illuminates steadily or blinks while the hybrid system is running, it may indicate that there is at least one problem or potential problem somewhere in the emission control system.

### ▼ If the light illuminates steadily

If the light illuminates steadily while driving or does not turn off after the hybrid system starts, an emission control system malfunction has been detected.

You should have your vehicle checked by an authorized SUBARU dealer immediately.

## NOTE

**This light also illuminates when the fuel filler cap is not tightened until it clicks.**

If you have recently refueled your vehicle, the cause of the CHECK ENGINE warning light/malfunction indicator light illuminating could be a loose or missing fuel filler cap. Remove the cap and retighten it until it clicks. Make sure nothing is interfering with the sealing of the cap. Tightening the cap will not make the CHECK ENGINE warning light turn off immediately. It may take several driving trips. If the light does not turn off, take your vehicle to your authorized SUBARU dealer immediately.

### ▼ If the light is blinking

If the light is blinking while driving, an engine misfire condition has been detected which may damage the emission control system.

To prevent serious damage to the emission control system, you should do the following.

- Reduce vehicle speed.
- Avoid hard acceleration.
- Avoid steep uphill grades.
- Reduce the amount of cargo, if possible.
- Stop towing a trailer as soon as possible.

The CHECK ENGINE warning light may stop blinking and illuminate steadily after several driving trips. You should have your vehicle checked by an authorized SUBARU dealer immediately.

## ■ Hybrid READY indicator light **READY**

This light illuminates when the hybrid system has started. It turns off when the hybrid system has been turned off.

### CAUTION

**If the Hybrid READY Indicator Light does not illuminate when the engine has been started, have your vehicle checked at a SUBARU dealer.**

## ■ Hybrid Fail Lamp

The indicator illuminates when a malfunction occurs in the hybrid system. Contact your SUBARU dealer immediately for an inspection.

## ■ Hybrid Battery Charge Mode indicator **CHG**

When in the Hybrid Battery Charge Mode, this indicator illuminates. For details about the Hybrid Battery Charge Mode, refer to

“Hybrid system operation mode” P26.

## ■ Hybrid Battery Save Mode indicator **SAVE**

When in the Hybrid Battery Save Mode, this indicator illuminates. For details about the Hybrid Battery Save Mode, refer to “Hybrid system operation mode” P26.

## ■ EV (Electric Vehicle) mode lamp **EV**

This lamp illuminates in the following cases.

- When driving only using the electric motor power
- When the engine is automatically stopped by the hybrid system

## ■ Hybrid system overheat warning light

This warning light illuminates when the temperature of the inverter with converter assembly is high. Contact your SUBARU dealer immediately for an inspection.

## ■ Timer charging setting indicator

This indicator illuminates when Remote Battery Charging Timer has been scheduled. For details how to set the charging

timer, refer to “Setting the Remote Battery Charging Timer” P58.

## ■ Charge cable connection indicator

This indicator illuminates when the charge cable is connected to the vehicle.

## ■ Engine hood open warning light


The warning light illuminates if the engine hood is not fully closed. This function is effective even if the ignition switch is in the “OFF” or “ACC” position, or the key is removed from the ignition switch.

Always make sure this light is not illuminated before you start to drive.

## ■ Coolant temperature high warning light

### CAUTION

- **After turning the ignition switch to the “ON” position, if this warning light behaves in any of the following ways, the electrical system may be malfunctioning. Contact your SUBARU dealer immediately for an inspection.**

- It remains blinking in **RED**.
- It remains illuminated in **RED** for more than 2 seconds.
- **While driving, if this warning light behaves in any of the following ways, take the specified appropriate measure listed below.**
  - **Blinking or illuminated in RED:**  
Safely stop the vehicle as soon as possible, and refer to the emergency steps to take in the case of engine overheating. After that, have the system checked by your nearest SUBARU dealer. Refer to “Engine and hybrid system overheating”  P378.


This coolant temperature high warning light has the following two functions.

- Blinking in **RED** indicates that the engine is close to overheating.
- Illumination in **RED** indicates overheating condition of the engine.

For a system check, this warning light illuminates in **RED** for approximately 2 seconds when the ignition switch is turned to the “ON” position.

If the engine coolant temperature increases over the specified range, the warning light blinks in **RED**. At this time, the engine is close to overheating.

If the engine coolant temperature increases further, the warning light illuminates in **RED** continuously. At this time, the engine may be overheating.

When the warning light blinks in **RED** or illuminates in **RED**, safely stop the vehicle as soon as possible, and refer to the emergency steps to take in the case of engine overheating. Refer to “Engine and hybrid system overheating”  P378. After that, have the system checked by your nearest SUBARU dealer.

Also, if the warning light often blinks in **RED**, the electrical system may be malfunctioning. Contact your SUBARU dealer for an inspection.

#### **NOTE**

**If the engine is restarted after a certain driving condition, this warning light may illuminate in RED. However, this is not a malfunction if the warning light turns off after a short time.**

#### **Charge warning light**



If this light illuminates when the hybrid system is running, it may indicate that the charging system is not working properly.

If the light illuminates while driving or does not turn off after the hybrid system starts, stop the hybrid system at the first safe opportunity. If the light remains illuminated, contact your nearest SUBARU dealer immediately.

#### **Oil pressure warning light**



If this light illuminates when the hybrid system is running, it may indicate that the engine oil pressure is low and the lubricating system is not working properly.

If the light illuminates while driving or does not turn off after the hybrid system starts, stop the hybrid system at the first safe opportunity. Contact your nearest SUBARU dealer immediately.



#### **CAUTION**

**Do not operate the hybrid system with the oil pressure warning light illuminated. This may cause serious engine damage.**

## ■ Engine low oil level warning light



This light illuminates when the engine oil level decreases to the lower limit.

If the engine low oil level warning light illuminates while driving, park the vehicle in a safe and level location, and then check the engine oil level. When the engine oil level is not within the normal range, refill with engine oil. Refer to “Engine oil” P406.

If the warning light does not turn off after refilling the engine oil, or the warning light illuminates even though the engine oil level is within the normal range, have the vehicle checked by a SUBARU dealer.

### NOTE

- **The oil level will be detected by the system just after turning the ignition switch to the ON position, and the low oil level warning light will turn on when the oil level is below the lower limit. The warning light will turn off when the ignition switch is turned to the OFF position.**
- **In the following cases, the low oil level warning light may not illuminate even if the oil level is below the lower limit for avoiding the erroneous lighting.**

- **The car is parked on a steep slope.**
- **Rapid acceleration, hard braking or rapid steering occurred during EV driving.**
- **The engine was restarted within a few hours.**

## ■ Windshield washer fluid warning light



This light illuminates when the fluid level in the windshield washer fluid tank decreases to the lower limit approximately 0.6 US qt (0.6 liter, 0.5 Imp qt).

## ■ Low tire pressure warning light



When the ignition switch is turned to the “ON” position, the low tire pressure warning light will illuminate for approximately 2 seconds to check that the tire pressure monitoring system (TPMS) is functioning properly. If there is no problem and all tires are properly inflated, the light will turn off.

Each tire, including the spare (if provided), should be checked monthly when cold and inflated to the inflation pressure recommended by the vehicle manufacturer on the vehicle placard or tire inflation pressure label. (If your vehicle has tires of a different size than the size indicated on the

vehicle placard or tire inflation pressure label, you should determine the proper tire inflation pressure for those tires.)

As an added safety feature, your vehicle has been equipped with a tire pressure monitoring system (TPMS) that illuminates a low tire pressure telltale when one or more of your tires is significantly under-inflated. Accordingly, when the low tire pressure telltale illuminates, you should stop and check your tires as soon as possible, and inflate them to the proper pressure. Driving on a significantly under-inflated tire causes the tire to overheat and can lead to tire failure. Under-inflation also reduces fuel efficiency and tire tread life, and may affect the vehicle’s handling and stopping ability.

Please note that the TPMS is not a substitute for proper tire maintenance, and it is the driver’s responsibility to maintain correct tire pressure, even if under-inflation has not reached the level to trigger illumination of the TPMS low tire pressure telltale.

Your vehicle has also been equipped with a TPMS malfunction indicator to indicate when the system is not operating properly. The TPMS malfunction indicator is combined with the low tire pressure telltale. When the system detects a malfunction, the telltale will flash for approximately one

minute and then remain continuously illuminated. This sequence will continue upon subsequent vehicle start-ups as long as the malfunction exists. When the malfunction indicator is illuminated, the system may not be able to detect or signal low tire pressure as intended. TPMS malfunctions may occur for a variety of reasons, including the installation of replacement or alternate tires or wheels on the vehicle that prevent the TPMS from functioning properly. Always check the TPMS malfunction telltale after replacing one or more tires or wheels on your vehicle to ensure that the replacement or alternate tires and wheels allow the TPMS to continue to function properly.

Should the warning light illuminate steadily after blinking for approximately one minute, have the system inspected by your nearest SUBARU dealer as soon as possible.



### WARNING

If this light does not illuminate briefly after the ignition switch is turned ON or the light illuminates steadily after blinking for approximately one minute, you should have your Tire Pressure Monitoring System checked at a SUBARU dealer as soon as possible.

If this light illuminates while driving, never brake suddenly and keep driving straight ahead while gradually reducing speed. Then slowly pull off the road to a safe place. Otherwise an accident involving serious vehicle damage and serious personal injury could occur.

If this light still illuminates while driving after adjusting the tire pressure, a tire may have significant damage and a fast leak that causes the tire to lose air rapidly.

When a wheel rim is replaced without the original pressure sensor/transmitter being transferred, the Low tire pressure warning light will illuminate steadily after blinking for approximately one minute. This indicates the TPMS is unable to monitor all four road wheels. Contact your SUBARU dealer as soon as possible for tire and sensor replacement and/or system resetting.

If the light illuminates steadily after blinking for approximately one minute, promptly contact a SUBARU dealer to have the system inspected.



### CAUTION

The tire pressure monitoring system is NOT a substitute for manually checking tire pressure. The tire pressure should be checked periodically (at least monthly) using a tire gauge. After any change to tire pressure(s), the tire pressure monitoring system will not re-check tire inflation pressures until the vehicle is first driven more than 20 mph (32 km/h). After adjusting the tire pressures, increase the vehicle speed to at least 20 mph (32 km/h) to start the TPMS re-checking of the tire inflation pressures. If the tire pressures are now above the severe low pressure threshold, the low tire pressure warning light should turn off a few minutes later. Therefore, be sure to install the specified size for the front and rear tires.

### ■ ABS warning light

### ABS



### CAUTION

- If any of the following conditions occur, we recommend that you have the ABS repaired at the first available opportunity by your



**SUBARU dealer.**

- The warning light does not illuminate when the ignition switch is turned to the “ON” position.
- The warning light illuminates when the ignition switch is turned to the “ON” position, but it does not turn off even after the vehicle is started.
- The warning light illuminates during driving.
- **When the warning light is on (and the brake system warning light is off), the ABS function shuts down. However, the conventional brake system continues to operate normally.**

The ABS warning light, Vehicle Dynamics Control warning light, and brake system warning light illuminate simultaneously if the EBD system malfunctions. For further details of the EBD system malfunction warning, refer to “Electronic Brake Force Distribution (EBD) system warning” P190.

**NOTE**

If the warning light behavior is as described in the following conditions,

the ABS may be considered normal.

- The warning light illuminates when the ignition switch is turned to the “ON” position and turns off approximately 2 seconds after the hybrid system has started.
- The warning light illuminates right after the hybrid system is started but turns off immediately, remaining off.
- The warning light remains illuminated after the hybrid system has been started, but it turns off while driving.
- The warning light illuminates during driving, but it turns off immediately and remains off.

When driving with an insufficient battery voltage such as when the hybrid system is jump started, the ABS warning light may illuminate. This is due to the low battery voltage and does not indicate a malfunction. When the battery becomes fully charged, the light will turn off.

### ■ Brake system warning light **BRAKE**

**WARNING**

- **Driving with the brake system warning light on is dangerous. This indicates your brake system may not be working properly. If**

the light remains illuminated, have the brakes inspected by a SUBARU dealer immediately.

- **If at all in doubt about whether the brakes are operating properly, do not drive the vehicle. Have your vehicle towed to the nearest SUBARU dealer for repair.**

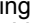

The brake system warning light has the following functions.

### ▼ Brake fluid level warning **BRAKE**



This light illuminates when the brake fluid level has dropped to near the “MIN” level of the brake fluid reservoir with the ignition switch in the “ON” position. At this time the buzzer will also sound.

If the brake system warning light should illuminate while driving, it could be an indication of leaking of brake fluid or worn brake pads. If this occurs, immediately stop the vehicle at the nearest safe location and check the brake fluid level. If the fluid level is below the “MIN” mark in the reservoir, do not drive the vehicle. Have the vehicle towed to the nearest SUBARU dealer for repair.

### ▼ Electronic Brake Force Distribution (EBD) system warning

The EBD system may be malfunctioning if the brake system warning light  BRAKE, Vehicle Dynamics Control warning light  and ABS warning light ABS illuminate simultaneously during driving.

Even if the EBD system fails, the conventional braking system will still function. However, the rear wheels will be more prone to locking when the brakes are applied harder than usual and the vehicle's motion may therefore become somewhat harder to control.

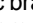
If the brake system warning light  BRAKE, Vehicle Dynamics Control warning light  and ABS warning light ABS illuminate simultaneously, take the following steps.

1. Stop the vehicle in the nearest safe, flat location.
2. Shut down the hybrid system, apply the parking brake and then restart it.
3. Fully release the parking brake.
4. Even if all the warning lights do not come back on, the EBD system may have a possible malfunction. Drive carefully to the nearest SUBARU dealer and have the system inspected.
5. If all the warning lights stay illuminated or come back on after approximately 2 seconds, shut down the hybrid system,

apply the parking brake and check the brake fluid level.

- If the brake fluid level is not below the "MIN" mark, the EBD system or the electronic brake boost control module may be malfunctioning. Drive carefully to the nearest SUBARU dealer and have the system inspected.
- If the brake fluid level is below the "MIN" mark, DO NOT drive the vehicle. Instead, have the vehicle towed to the nearest SUBARU dealer for repair.


### ▼ Electronic brake boost control module warning

When a malfunction of the electronic brake boost control module or leakage from the brake circuit is detected, the brake system warning light  BRAKE illuminates and the buzzer sounds.

At this time, the brake pedal may feel heavy.

Immediately stop the vehicle in a safe location and request instructions from a SUBARU dealer. Continuing to drive the vehicle may be dangerous.

### ▼ Regenerative braking system warning

The brake system warning light  BRAKE illuminates when regenerative braking cannot be activated. If this occurs, drive

cautiously and have the vehicle inspected by a SUBARU dealer.

### ■ Electronic parking brake indicator light PARK

#### ▼ Parking brake indicator

The light illuminates with the parking brake applied while the ignition switch is in the "ON" position. It turns off when the parking brake is fully released.

#### ▼ Electronic parking brake system warning



### WARNING

- When you release the electronic parking brake while the hybrid system is running, the electronic parking brake indicator light will turn off. However, if the light still illuminates, stop the vehicle in a safe place immediately and have the system inspected by a SUBARU dealer.
- If at all in doubt about whether the brakes are operating properly, do not drive the vehicle. Have your vehicle towed to the nearest SUBARU dealer for repair.
- If the electronic parking brake

indicator light flashes, the electronic parking brake system may be malfunctioning. Immediately stop your vehicle in a safe location, use tire stops under the tires to prevent the vehicle from moving and contact your SUBARU dealer. For details, refer to “Electronic parking brake” P310.

## NOTE

- When the ignition switch is turned to the “OFF” position with the electronic parking brake applied, the electronic parking brake indicator light remains illuminated for approximately 30 seconds and then turns off.
- Even if the electronic parking brake indicator light flashes, if the warning light behavior is as described in the following examples, the electronic parking brake system is not malfunctioning.
  - The indicator light turns off when the electronic parking brake is released.
- The electronic parking brake indicator light may flash immediately after the hybrid system is started. However, it is not malfunctioning if the indicator light turns off after the electronic parking

brake is released.

- The electronic parking brake indicator light may flash after the electronic parking brake is frequently applied and released. However, the electronic parking brake system is not malfunctioning if the light turns off for a short period of time.

The electronic parking brake indicator light flashes when the electronic parking brake system is malfunctioning. If the indicator light flashes, promptly park in a safe location as soon as possible and contact your SUBARU dealer.

The electronic parking brake indicator light remains illuminated when the parking brake cannot be released even if the parking brake switch is pushed. For details, refer to “Electronic parking brake” P310.

### ▽ Parking brake apply inhibit warning

The electronic parking brake indicator light flashes for 10 seconds and a chirp sound will be heard if the parking brake switch is operated when the parking brake cannot be applied.

### ▽ Frequent operation warning

The electronic parking brake indicator light flashes for 10 seconds and a chirp sound

will be heard if the parking brake switch is operated too frequently. In this case, the operation of the parking brake switch is restricted to protect the electronic parking brake system.

## NOTE

Wait until the indicator light turns off.

## ■ Low fuel warning light

The low fuel warning light illuminates when the tank is nearly empty, at approximately 2.0 US gal (7.5 liters, 1.65 Imp gal). It only operates when the ignition switch is in the “ON” position.



## CAUTION

Promptly put fuel in the tank whenever the low fuel warning light illuminates. When the level of fuel in the tank is low, engine misfire may occur and may result in the following problems.

- The engine may be damaged.
- The AWD system may not operate normally.
- EyeSight may not operate normally.

## ■ Hill Holder indicator light



### WARNING

If the Hill Holder indicator light does not illuminate even when the Hill Holder switch is pressed to activate the Hill Holder function, the electronic parking brake system may be malfunctioning. Immediately stop the vehicle in a safe location. We recommend that you contact your SUBARU dealer immediately.

The light illuminates when the Hill Holder switch is pressed to activate the Hill Holder function. For details about the Hill Holder function, refer to “Hill Holder function” P312.

## ■ Door open warning light

The warning light illuminates if any door or the rear gate is not fully closed. This function is effective even if the ignition switch is in the “OFF” or “ACC” position, or the key is removed from the ignition switch.

For some models, only the open doors are indicated by the warning lights.

Always make sure this light is not illuminated before you start to drive.

## ■ AWD warning light **AWD**

This light blinks in the following circumstances.

- When driving with tires of different sizes installed
- When the air pressure in any tire is extremely low.
- When the level of fuel in the tank is low.
- When there is a problem with the AWD system.

### WARNING

If the AWD warning light flashes, promptly park in a safe location then check whether all four tires are the same diameter and whether any of the tires has a puncture or has lost air pressure for some other reason. Continuing to drive with the AWD warning light flashing can lead to powertrain damage.

## ■ Power steering warning light

While the hybrid system is running, this warning light illuminates when a malfunction has been detected in the electric power steering system.

### CAUTION

When the power steering warning light is illuminated, there may be more resistance when the steering wheel is operated. Drive carefully to the nearest SUBARU dealer and have the vehicle inspected immediately.

## NOTE

If the steering wheel is operated in the following ways, the power steering control system may temporarily limit the power assist in order to prevent the system components, such as the control computer and drive motor, from overheating.

- The steering wheel is operated frequently and turned sharply while the vehicle is maneuvered at extremely low speeds, such as while frequently turning the steering wheel during parallel parking.
- The steering wheel remains in the fully turned position for a long period of time.

At this time, there will be more resistance when steering. However this is not a malfunction. Normal steering force will be restored after the steering

wheel is not operated for a while and the power steering control system has an opportunity to cool down. However, if the power steering is operated in a non-standard way which causes power assist limitation to occur too frequently, that may result in a malfunction of the power steering control system.

### ■ Vehicle Dynamics Control warning light/Vehicle Dynamics Control operation indicator light



#### ▼ Vehicle Dynamics Control warning light

#### CAUTION

The Vehicle Dynamics Control system provides its ABS control through the electrical circuit of the ABS. Accordingly, if the ABS is inoperative, the Vehicle Dynamics Control system becomes unable to provide ABS control. As a result, the Vehicle Dynamics Control system also becomes inoperative, causing the warning light to illuminate. Although both the Vehicle Dynamics

Control system and ABS are inoperative in this case, the ordinary functions of the brake system are still available. You will be safe while driving with this condition, but drive carefully and have your vehicle checked at a SUBARU dealer as soon as possible.

#### NOTE

- If the electrical circuit of the Vehicle Dynamics Control system itself malfunctions, the warning light only illuminates. At this time, the ABS (Anti-lock Brake System) remains fully operational.
- The warning light illuminates when the electronic control system of the ABS/Vehicle Dynamics Control system malfunctions.
- The Vehicle Dynamics Control warning light, ABS warning light, and brake system warning light illuminate simultaneously if the EBD system malfunctions. For further details of the EBD system malfunction warning, refer to “Electronic Brake Force Distribution (EBD) system warning” P190.

The Vehicle Dynamics Control system is probably inoperative under any of the following conditions. Have your vehicle

checked at a SUBARU dealer immediately.

- The warning light does not illuminate when the ignition switch is turned to the “ON” position.
- The warning light illuminates while the vehicle is running.

#### NOTE

If the warning light behavior is as described in the following examples, the Vehicle Dynamics Control system may be considered normal.

- The warning light illuminates when the ignition switch is turned to the “ON” position and turns off approximately 2 seconds after the hybrid system has started.
- The warning light illuminates right after the hybrid system is started but turns off immediately, remaining off.
- The warning light illuminates after the hybrid system has started and turns off while the vehicle is subsequently being driven.
- The warning light illuminates during driving, but it turns off immediately and remains off.
- The warning light illuminates when the hybrid system has stalled and continues to illuminate after the hybrid system has been restarted. However, it

will turn off once the vehicle starts moving.

#### ▼ Vehicle Dynamics Control operation indicator light

The indicator light flashes during activation of the skid suppression function and during activation of the traction control function.

#### NOTE

- The light may remain illuminated for a short period of time after the hybrid system has been started, especially in cold weather. This does not indicate the existence of a problem. The light should turn off as soon as the engine has warmed up.
- The indicator light illuminates when the engine has developed a problem and the CHECK ENGINE warning light/malfunction indicator light is on.

The Vehicle Dynamics Control system is probably malfunctioning under the following condition. Have your vehicle checked at a SUBARU dealer as soon as possible.

- The light does not turn off even after the lapse of several minutes (the hybrid system has warmed up) after the hybrid system has started.

#### ■ Vehicle Dynamics Control OFF indicator light

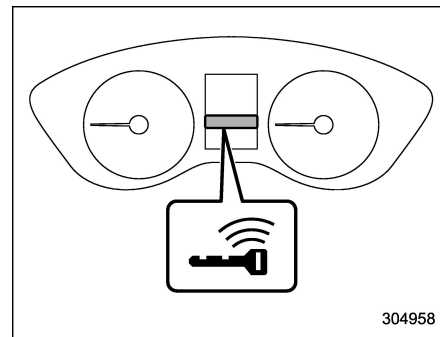


The light illuminates when the Vehicle Dynamics Control OFF switch is pressed to deactivate the Vehicle Dynamics Control system.

The Vehicle Dynamics Control system is probably malfunctioning under any of the following conditions. Have your vehicle checked at a SUBARU dealer immediately.

- The light does not illuminate when the ignition switch is turned to the "ON" position.
- The light does not turn off even once several seconds have elapsed after the ignition switch has been turned to the "ON" position.

#### ■ Warning chimes and warning indicator of the keyless access with push-button start system



#### Access key warning indicator

The keyless access with push-button start system sounds a warning chime and flashes the access key warning indicator on the combination meter in order to minimize improper operations and help protect your vehicle from theft.

When the warning chime sounds and/or the warning indicator flashes, take the appropriate action.

**WARNING**

Never drive the vehicle if the indicator on the push-button ignition switch is flashing in green when starting the hybrid system. This indicates the status that the steering wheel is not released and could result in an accident involving serious injury or death.

**CAUTION**

- When starting the hybrid system again after the operation indicator on the push-button ignition switch flashes in green, if the operation indicator is still flashing in green, there could be a steering lock malfunction. Contact your SUBARU dealer as soon as possible.
- When the operation indicator on the push-button ignition switch flashes in orange, contact a SUBARU dealer immediately.

**NOTE**

- Even when the access key fob is within the operating ranges inside the vehicle, the access key warning for hybrid system start may be provided depending on the status of the access key fob and the environmental conditions.
- When the access key fob is taken out of the vehicle through an open window, the access key fob takeout warning or passenger access key fob takeout warning will not be provided.

## ▼ List of warnings

**CAUTION**

When any of the following warnings occurs even if the access key warning indicator does not appear, take the appropriate action.

Inside warning chime	Outside warning chime	Operation indicator on push-button ignition switch	Status	Action
Ding, ding ... (intermittent)	—	—	The driver's door was opened while the push-button ignition switch is "ACC" when the select lever is in the "P" position).	Switch the push-button ignition switch to "OFF", or close the driver's door. *When exiting the vehicle, be sure to switch the push-button ignition switch to "OFF".
			The push-button ignition switch was switched to "OFF" while the driver's door is open.	Close the driver's door.
Ding	Short beep (2 seconds)	—	<b>Lockout warning:</b> An attempt was made to lock all doors while the access key fob is left inside the vehicle.	Take out the access key fob from the vehicle, and lock the doors. *The doors cannot be locked while the access key fob is inside the vehicle. *A chirp sound will be heard, and all doors will be unlocked.
—	Short beep (2 seconds)	—	<b>Access key fob lock-in warning:</b> The door lock sensor was touched while the push-button ignition switch is "OFF" and the access key fob is inside the vehicle.	Take out the access key fob from the vehicle, and lock the doors. *If the access key fob is inside the vehicle, the doors cannot be locked.
—	Beep, beep, beep, beep, beep (5 times)	—	<b>Door ajar warning:</b> The door lock sensor is touched while the ignition switch is in the "OFF" position and one of the doors including the rear gate is opened.	Close the doors securely and lock them. *If one of the doors including the rear gate is opened, the doors cannot be locked.
Ding	Long beep (60 seconds max.)	—	<b>Power warning:</b> The door lock sensor was touched while carrying the access key fob, the push-button ignition switch is in a position other than "OFF" (when the select lever is in the "P" position).	Return the access key fob inside the vehicle, or switch the push-button ignition switch to "OFF". *If the push-button ignition switch is not switched to "OFF", the doors cannot be locked.
Ding, ding ... (7 seconds)	—	—	<b>Access key warning:</b> The vehicle was driven while the access key fob is not inside the vehicle.	Carry the access key fob, and drive the vehicle.




Inside warning chime	Outside warning chime	Operation indicator on push-button ignition switch	Status	Action
Ding	—	—	<b>Access key warning for hybrid system start:</b> The push-button ignition switch was pressed while the access key fob is not inside the vehicle.	Carry the access key fob, and press the push-button ignition switch.
Ding	Beep, beep, beep (3 times)	—	<b>Access key takeout warning:</b> The driver exited the vehicle with the access key fob and closed the driver's door while the push-button ignition switch is in a position other than "OFF" (when the select lever is in the "P" position).	Switch the push-button ignition switch to "OFF", and get out of the vehicle.
Ding	Beep, beep, beep (3 times)	—	<b>Passenger access key takeout warning:</b> A fellow passenger exited the vehicle with the access key fob and closed a door other than the driver's door while the push-button ignition switch is in a position other than "OFF".	Return the access key fob to inside the vehicle, or switch the push-button ignition switch to "OFF".
Long beep (continuous)	Long beep (continuous)	—	<b>Access key takeout without P position warning:</b> The driver exited the vehicle with the access key fob and closed the driver's door while the push-button ignition switch is in a position other than "OFF" and the select lever is in a position other than the "P" position.	Shift the select lever to the "P" position, switch the push-button ignition switch to "OFF" and exit the vehicle.
Long beep (continuous)	—	—	<b>Select lever position warning:</b> The hybrid system is turned off by pressing the push-button ignition switch and the select lever is in a position other than the "P" position.	Start the hybrid system, shift the select lever to the "P" position, switch the push-button ignition switch to "OFF" and exit the vehicle.

Inside warning chime	Outside warning chime	Operation indicator on push-button ignition switch	Status	Action
Long beep (continuous)	—	—	<b>Select lever position warning:</b> The driver's door was opened while the push-button ignition switch is in a position other than "OFF" and the select lever is in a position other than the "P" position.	Shift the select lever to the "P" position, switch the push-button ignition switch to "OFF" and exit the vehicle.
Ding	—	—	The battery of the access key fob is low.	Replace the battery of the access key fob.
Ding	—	Flashes in green (15 seconds max.)	<b>Steering lock warning:</b> The hybrid system start procedure was performed, but the steering is still locked.	While turning the steering wheel right and left lightly, depress the brake pedal and press the push-button ignition switch.
Ding	—	Flashes in orange (15 seconds max.)	<b>System malfunction warning:</b> A malfunction was detected in the power system or steering lock.	Contact a SUBARU dealer immediately and have the vehicle inspected.

## ■ Security indicator light

This indicator light shows the status of the alarm system. It also indicates operation of the immobilizer system.

### ▼ Alarm system

It blinks to show the driver the operational status of the alarm system. For detailed information, refer to “Alarm system”  P163.

### ▼ Immobilizer system

The security indicator light starts blinking in the following conditions.

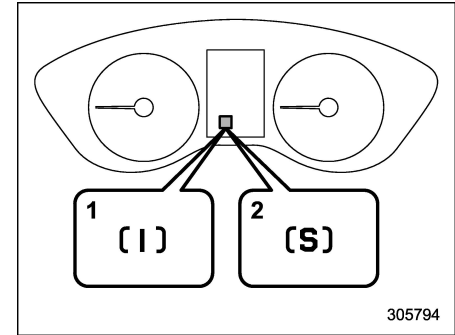
- Immediately after the push-button ignition switch is turned to the “OFF” position.
- Immediately after the driver’s door is opened or closed when all of the following conditions are met.
  - The push-button ignition switch is in the “ON” or “ACC” position.
  - The hybrid system is not running.

In the event that an unauthorized key is used (for example, the key is unregistered or the ID code does not match), the power is not switched to “ON” and the security indicator light continues blinking.

## NOTE

- The security indicator light remains off in the following conditions. It means that the matching of the ID code is completed and the immobilizer system is deactivated, and it does not indicate a malfunction.
  - While the hybrid system is running.
  - The push-button ignition switch has been turned to the “ON” or “ACC” position and the driver’s door has not been opened or closed.
- Even if a malfunction occurs, such as the security indicator light flashes irregularly, it will not affect the functionality of the immobilizer system.

## ■ SI-DRIVE indicator light

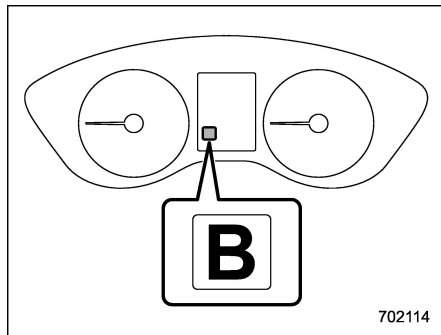


- 1) Intelligent (I) mode indicator
- 2) Sport (S) mode indicator

This light indicates the current SI-DRIVE mode.

For details of SI-DRIVE mode, refer to “SI-DRIVE”  P295.

■ **Select lever position indicator**



This indicator shows the position of the select lever.

■ **Turn signal indicator lights** ← →

These lights show the operation of the turn signal or lane change signal. If the indicator lights do not blink or blink rapidly, the turn signal bulb may be burned out. Replace the bulb as soon as possible. Refer to “Replacing bulbs” P432.

■ **High beam indicator light** 

This light shows that the headlights are in the high beam mode.

This indicator light also illuminates when the headlight flasher is operated.

■ **High beam assist indicator light** 

This light illuminates when the high beam assist function is activated. For details about the high beam assist function, refer to “High beam assist function” P233.

■ **Automatic headlight beam leveler warning light** 

This light illuminates when the automatic headlight beam leveler does not operate normally.

If this light illuminates during driving, have your vehicle inspected at your SUBARU dealer.

■ **LED headlight warning light** 

This light illuminates if the LED headlights malfunction. Have your vehicle inspected at a SUBARU dealer as soon as possible.

■ **Steering Responsive Headlight warning light/ Steering Responsive Headlight OFF indicator light** **SRH OFF**

This light illuminates when the Steering Responsive Headlight OFF switch is pressed to deactivate the Steering Responsive Headlight. Also, the light flashes when a malfunction occurs in the Steering Responsive Headlight. Refer to “Steering Responsive Headlight (SRH)” P237.

■ **Front fog light indicator light** 

This indicator light illuminates while the front fog lights are illuminated.

■ **Headlight indicator light** 

This indicator light illuminates under the following conditions.

- When the light switch is turned to the “D” or “D” position.
- When the light control switch is in the “AUTO” position and the headlights illuminate automatically.

### ■ X-MODE indicator



This indicator appears while the X-MODE is activated. It will disappear when the X-MODE is deactivated. Refer to “To activate/deactivate the X-MODE” P306.

### ■ Hill descent control indicator



This indicator appears while the hill descent control function is in standby. It will flash while the hill descent control function is operating. It will disappear when the hill descent control function is not available. Refer to “Hill descent control function” P307.

### ■ BSD/RCTA warning indicator



This warning indicator appears when the BSD/RCTA is malfunctioning. In this case the BSD/RCTA warning indicator will be shown on the combination meter display (color LCD). When this indicator appears, have your vehicle inspected by your SUBARU dealer as soon as possible.

### ■ BSD/RCTA OFF indicator



The indicator appears when the BSD/RCTA OFF switch is pressed to deactivate the BSD/RCTA, or when the BSD/RCTA is suspended temporarily. In this case the BSD/RCTA OFF indicator will be shown on the combination meter display (color LCD). For details, refer to “BSD/RCTA” P314.

### ■ RAB warning indicator **RAB**

This indicator illuminates if the Reverse Automatic Braking System malfunctions. Refer to “Reverse Automatic Braking System” P323.

### ■ RAB OFF indicator



This indicator illuminates when the Reverse Automatic Braking System is turned OFF, or when the Reverse Automatic Braking System is suspended temporarily. Refer to “Reverse Automatic Braking System” P323.

### ■ Icy road surface warning indicator



When the outside temperature is 37°F (3°C) or less, the icy road surface warning will illuminate to inform the driver that the road surface may be frozen.

#### NOTE

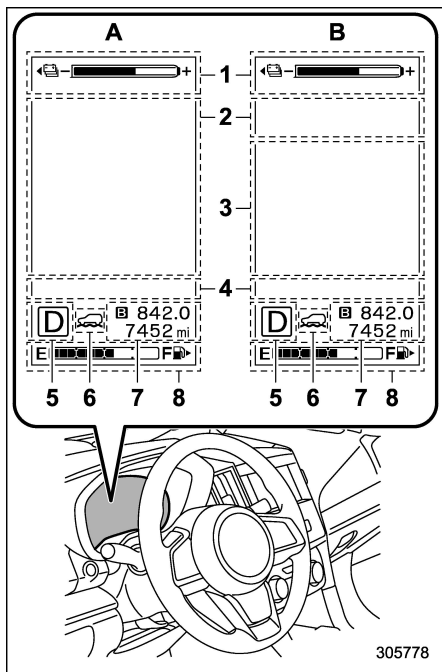
- The outside temperature indicator shows the temperature in the area around the sensor. Therefore, the temperature indication may differ from the actual outside air temperature.
- The icy road surface warning screen should be treated only as a guide. Be sure to check the condition of the road surface before driving.
- Once the icy road surface warning screen appears, it will not disappear unless the outside temperature has increased to 41°F (5°C) or higher.

### 3-6. Combination meter display (color LCD)

#### ⚠ WARNING

Always pay adequate attention to safe driving when operating the combination meter display (color LCD) while the vehicle is in motion. When operation of the combination meter display (color LCD) interferes with your ability to concentrate on driving, stop the vehicle before performing operations on the screen. Also, do not concentrate on the display while driving. Doing so may cause you to look away from the road and could result in an accident.

Various information will be shown on the combination meter display (color LCD). Also, a warning message will appear on the display if a malfunction, etc. is detected. In addition, several settings for the displayed content can be performed.

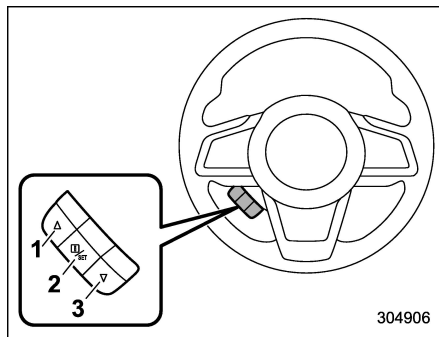


#### Combination meter display (color LCD)

- 1) Hybrid Battery Charge Status (refer to "Hybrid Battery Charge Status" ⓄP179.)
- 2) Warning screen (refer to "Warning screen" ⓄP203.)/Basic screen (refer to "Basic screens" ⓄP205.)
- 3) EyeSight screen

- 4) Telltale screen (refer to "Telltale screen" ⓄP204.)
  - 5) Select lever position indicator (refer to "Select lever position indicator" ⓄP200.)
  - 6) X-MODE indicator (refer to "X-MODE indicator" ⓄP201.)/SI-DRIVE indicator (refer to "SI-DRIVE" ⓄP295.)
  - 7) Odometer (refer to "Odometer" ⓄP178.)/double trip meter (refer to "Double trip meter" ⓄP178.)
  - 8) Fuel gauge (refer to "Fuel gauge" ⓄP179.)
- A: Deactivating the EyeSight system  
B: Activating the EyeSight system

#### ■ Basic operation



#### Control switch

- 1) ▲ (Up)
- 2) **i**/SET (enter)
- 3) ▼ (Down)

By operating "▲" or "▼" of the control

switch, the screens and selection items can be switched. When the “**I**/SET” switch is pulled toward you, the item can be selected and set.

If there are some useful messages, such as vehicle information, warning information, etc., they will interrupt the current screen, and appear on the display accompanied by a beep. If such a screen is displayed, take proper action according to the message shown on the screen.

The warning screen will return to the original screen after a few seconds. While the “**I**” information reminder is shown on the display, it may be possible to display the warning screen again. To recall the message marked with “**I**” on the display, pull the “**I**/SET” switch on the steering wheel toward you.

## NOTE

**When the multi-function display (color LCD) is set to the setting screen, the combination meter display (color LCD) cannot be controlled by pulling on the “▲”, “▼” and “**I**/SET” on the control switch.**

## ■ Welcome screen (opening animation) and Good-bye screen (ending animation)

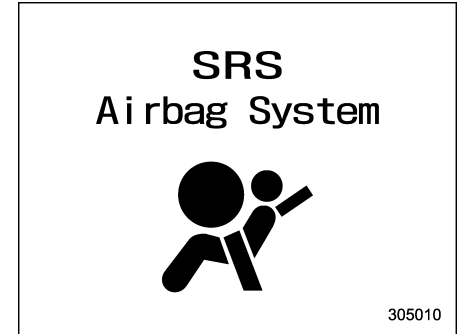
When the driver’s door is opened and closed after unlocking the door, the welcome screen (opening animation) will appear on the combination meter display (color LCD) for approximately 20 seconds. When the ignition switch is turned to the “OFF” position, the combination meter display (color LCD) gradually turns off while showing the Good-bye screen (ending animation).

## NOTE

- The welcome screen and the good-bye screen may differ in the actual words and appearance.
- Once the welcome screen appears, it takes a certain period of time to display it again.
- If the ignition switch is operated after unlocking the driver’s door, the welcome screen will not appear even when the driver’s door is opened and closed.
- The welcome screen will disappear when you lock the driver’s door by using the remote keyless entry system or the keyless access function while the welcome screen is displayed.
- The welcome screen including the

multi-function display (color LCD) and the audio/navigation unit can be set to on or off. For details, refer to “Welcome Screen” P207.

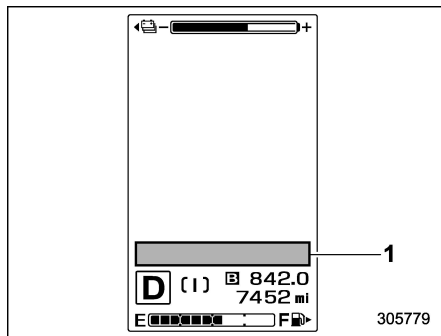
## ■ Warning screen



Example of warning

If there is a warning message or a maintenance notification, it will appear on this screen. Take the appropriate actions based on the messages indicated.

## Telltale screen



1) Telltale screen

When the corresponding situation occurs, the following telltales will be displayed on the telltale screen.

### NOTE

When there is warning information to display, it will be displayed in five warning indicators, starting on the left in ascending order of severity. If there are six or more warning information displayed, pull the “**I**/SET” switch and check the item.

Mark	Name	Page
	Door open light	192
	LED headlight warning light	200
	High beam assist indicator light	200
	Steering Responsive Headlight warning light	200
	Engine low oil level warning light	187
	RAB warning indicator	201
	RAB OFF indicator	201
	BSD/RCTA warning indicator	201
	BSD/RCTA OFF indicator	201
	Automatic headlight beam leveler warning light	200
	Windshield washer fluid warning light	187

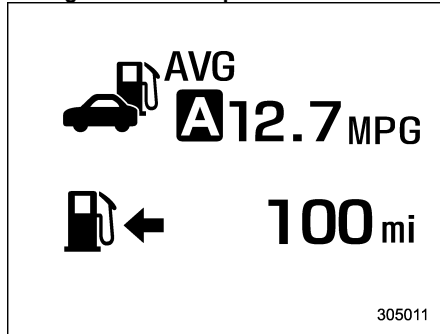
Mark	Name	Page
	Hill descent control indicator	201
	Icy road surface warning indicator	201
	Hybrid Battery Charge Mode indicator	185
	Engine hood open warning light	185
	Timer charging setting indicator	185
	Charge cable connection indicator	185
	Hybrid Battery Save Mode indicator	185
	Hybrid Fail Lamp	185
	Hybrid system overheat warning light	185



### ■ Basic screens

By operating the “▲” or “▼” switch on the steering wheel, you can change the screen that is always displayed.

**Average fuel consumption screen:**



: Average fuel consumption  
 : Driving range on remaining fuel

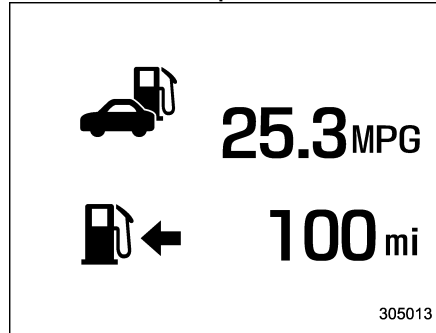
This screen displays the average rate of fuel consumption since the trip meter was last reset.

### NOTE

- The average fuel consumption screen is only a guide. The indicated values may differ from actual values depends on the driving conditions of the vehicle. The tank must be immediately filled when the low fuel warning light illuminates.

- The average fuel consumption screen will be displayed when the vehicle drives 1 mile (1 km) or more after resetting the trip meter and starting the engine.

**Current fuel consumption screen:**



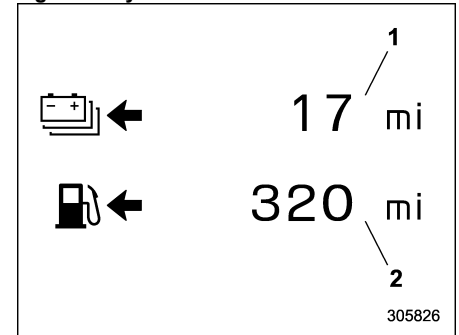
: Current fuel consumption  
 : Driving range on remaining fuel

This screen displays the rate of fuel consumption at the present moment.

### NOTE

The driving range on remaining fuel is only a guide. The indicated value may differ from the actual driving range on remaining fuel, so you must immediately fill the tank when the low fuel warning light illuminates.

**Driving range on remaining fuel/high voltage battery screen:**



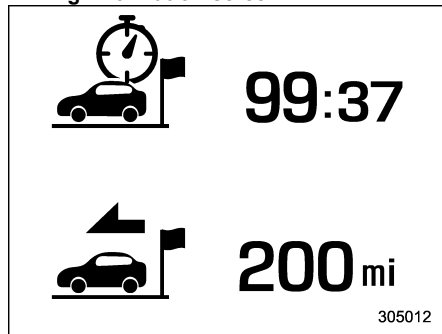
- 1) EV driving range on remaining high voltage battery
- 2) Driving range on remaining fuel

It shows an estimate of the possible driving distance with the remaining high voltage battery and fuel.

### NOTE

The EV driving range on remaining high voltage battery decreases depends on the driving conditions of the vehicle. Also, the EV driving range may decrease due to system power consumption even though the vehicle is not being driven.

Driving information screen:

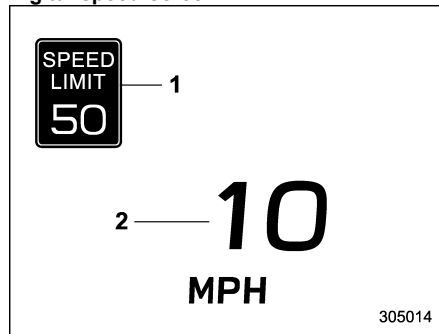


Journey time

Journey distance

This screen displays the journey time (the time that has elapsed since the ignition switch was turned to the "ON" position) and journey distance (the distance that has been driven since the ignition switch was turned to the "ON" position).

Digital speed screen:

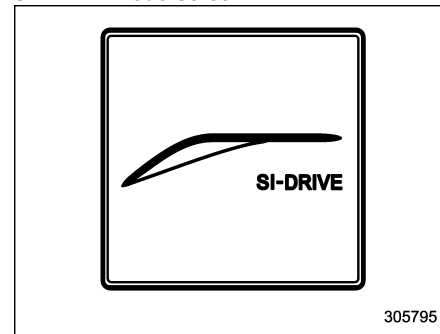


1) Speed limit indicator

2) Vehicle speed

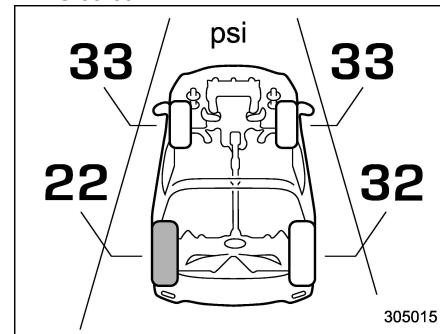
This screen displays the current vehicle speed.

SI-DRIVE mode screen:



This screen indicates the current SI-DRIVE mode with its throttle angle.

TPMS screen:



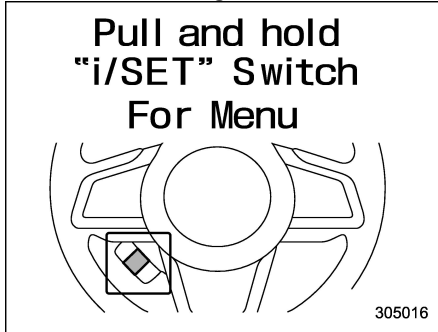
This screen displays each tire pressure.

When a tire is deflated, the deflated tire and the tire pressure will be displayed on the screen in yellow.

**NOTE**

- The tire pressure values are displayed several minutes after driving.
- For information about the specified value of the air pressure, refer to “Tires” P444.

Menu screen entering screen:



While this screen is selected, pull and hold the “i/SET” switch to enter the menu screen.

**Menu screens**

Pull and hold the “i/SET” switch to enter the menu screens when all of the following conditions are satisfied.

- The menu screen entering screen is selected.
- The “i” information reminder is off.

**NOTE**

- While driving, the setting items available on the combination meter display (color LCD) are limited.
- For function settings and adjustments on the combination meter display (color LCD), refer to “Function settings” P20.

By operating the “▲” or “▼” switch on the steering wheel, you can select the menu. Pull the “i/SET” switch to enter the selected menu.

**NOTE**

If you enter the “Go Back” menu, the system will return to the previous screen.

**Screen Settings**

After entering the “Screen Settings” menu, select one of the following menus.

▽ **Welcome Screen**

The welcome screen can be activated or deactivated.

▽ **Good-bye Screen**

The good-bye screen can be activated or deactivated.

▽ **Gauge Initial Movement**

The movement of the meter needles and gauge needles that occurs when the ignition switch is turned to the “ON” position can be activated or deactivated.

▽ **Driver Assist Indicator**

This sets whether or not the lighting at the top of the combination meter flashes when charging from an external source or when the mode is switched to hybrid system operation mode.

▽ **Units**

Changes the units displayed in the combination meter display (color LCD) and the type B multi-function display (color LCD).

▽ **Tire Pressure Units**

Changes the units displayed in the Tire Pressure Monitoring system.

▽ **Languages**

Changes the language displayed in the combination meter display (color LCD) and the multi-function display (color LCD).

▼ **Warning Volume**

Sets the EyeSight warning volume, the BSD/RCTA warning volume and the RAB warning volume.

▼ **EyeSight**

**NOTE**

Refer to the Owner's Manual supplement for the EyeSight system.

▼ **RAB**

The Sonar Audible Alarm can be set to on or off.

**NOTE**

Refer to "Reverse Automatic Braking System" P323.

▽ **Sonar Audible Alarm**

When the Reverse Automatic Braking system is in operation, the warning sound to notify that an obstacle is detected in the rear can be activated or deactivated.

▼ **Vehicle Setting**

After entering the "Vehicle Setting" menu, select one of the following menus.

▽ **Keyless Entry System**

Sets the settings used when the keyless access function was operated.

● **Audible Signal**

Sets the electronic chirp that sounds when the door is locked or unlocked.

● **Hazard Warning Flasher**

Sets the operation of the hazard warning flasher that blinks when the door is locked or unlocked.

● **Driver Door Unlock**

Select only the driver's door to unlock or all doors to unlock simultaneously when the driver's door is unlocked.

● **Rear Gate/Trunk Unlock**

Select only the rear gate to unlock or all doors to unlock simultaneously when accessing from the cargo area.

▽ **Defogger**

Sets and customizes the operation of the defogger.

▽ **Interior Light**

Sets and customizes the interior light off delay timer.

▽ **Auto Light Sensor**

Sets and customizes the sensitivity of the auto light sensor.

▽ **Welcome Lighting**

Sets the leaving time and approaching time.

● **Approaching time set**

Sets the illumination time of the headlights that illuminate when you approach the vehicle.

● **Leaving time set**

Sets the time until the headlights turn off when you have moved away from the vehicle.

▽ **One-touch lane changer**

Sets the one-touch lane changer on/off.

▼ **Default Settings**

Select "Yes" to use the menu screen to restore customized settings to the factory default settings. Select "No" to return to the previous screen without restoring to the factory default settings.

### 3-7. Multi-function display (color LCD)

#### WARNING

Always pay adequate attention to safe driving when operating the multi-function display (color LCD) while the vehicle is in motion. When operation of the multi-function display (color LCD) is disturbing your awareness and ability to concentrate on driving, stop the vehicle in a safe place before performing operations on the screen. Also, do not concentrate on the display while driving. Doing so may cause you to look away from the road and could result in an accident.

#### ■ Features

The multi-function display (color LCD) has the following functions.

Description	Page
Displays useful messages, such as notification, etc.	210
Displays basic screens (e.g. fuel consumption screen, etc.)	211

Description	Page
Sets and adjusts maintenance notification	226

Also, the multi-function display (color LCD) can also be used to set and initialize the multi-function display (color LCD) itself.

#### NOTE

- When the vehicle is in motion, certain functions and selections may not be available.
- You can set the language and units for both the multi-function display (color LCD) and the combination meter at the same time. For details about setting the language and units, refer to “Menu screens” [P207](#).
- The images displayed in this Owner’s Manual are sample images. The actual image may vary depending on the market and vehicle specifications.

#### ■ Welcome screen

When the driver’s door is opened and closed, the welcome screen will appear for a short time.

#### NOTE

- The welcome screen will disappear when the ignition switch is turned to the “ON” position while the welcome

screen is displayed.

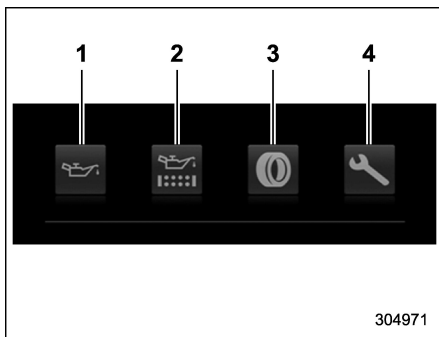
- The welcome screen can be set to on or off. For details, refer to “Screen Settings” [P207](#).
- For a certain period of time after the welcome screen has once appeared, it may not appear again even when the driver’s door is opened and closed again. This does not indicate a malfunction.

#### ■ Self-check screen

#### NOTE

When the setting is “On”, the self check screen appears. For details about this setting, refer to “ON/OFF setting” [P226](#).

When the ignition switch is turned to the “ON” position, the vehicle self-check will be performed. The screens corresponding to the following items will appear one after another for several seconds each.



304971

- 1) Engine oil: Checks the interval of engine oil replacement.
- 2) Oil filter: Checks the interval of oil filter replacement.
- 3) Tires: Checks the interval of tire rotation.
- 4) Inspection and maintenance: Checks the interval of inspection and maintenance.

When the checks are performed, the color of the icon corresponding to the checked item will change.

If there is a notification, the message will be displayed. Take the appropriate actions based on the message indicated.

After the self-check is completed, today's date, the stored birthday or the stored anniversary is displayed.

## NOTE

- After performing the maintenance, change the setting of the correspond-

ing maintenance item. For details, refer to "Maintenance settings" P226.

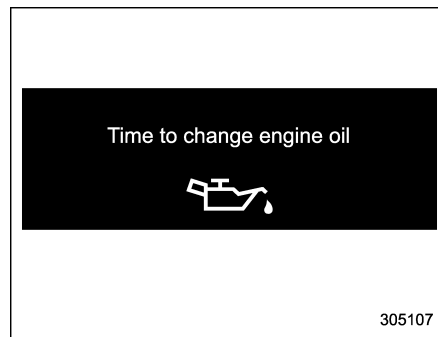
- The maintenance notification screen will be displayed under either of the following conditions.

- The period of time remaining until the registered notification date is 15 days or less.
- The total driving distance remaining until the registered notification distance is approximately 311 miles (500 km) or less.

- The maintenance notification screen will be displayed until either of the following conditions is satisfied.

- The period of time passed after the registered notification date is 15 days or more.
- The total distance driven after the registered notification distance is approximately 311 miles (500 km) or more.

## ■ Interruption screen



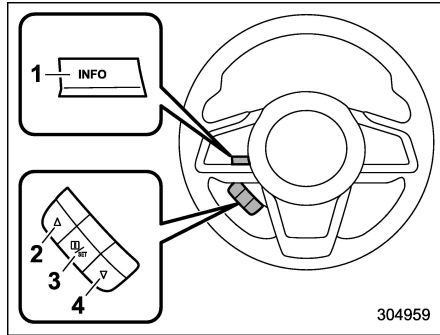
305107

### Example

Useful messages, such as reminder information, weather information (if equipped) and traffic information (if equipped) may interrupt the current screen and appear on the display accompanied by a beep. Take proper action according to the message.

The interruption screen will return to the original screen after a few seconds. Also, you can press the INFO button to skip the interruption screen.

## Basic operation

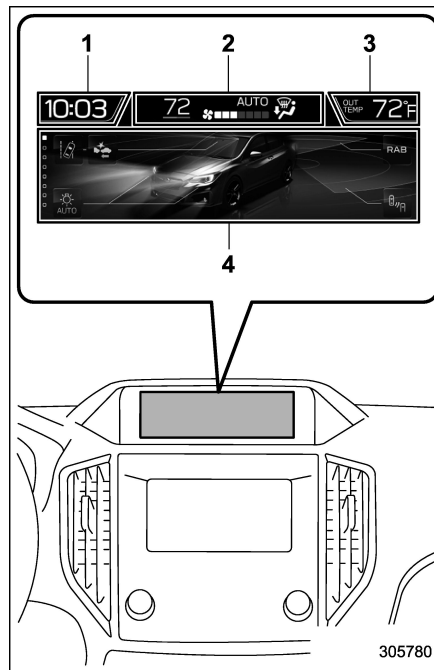


### Control switch

- 1) INFO button
- 2) ▲ (up)
- 3) **i/SET** (enter)
- 4) ▼ (down)

Press the INFO button on the steering wheel to switch the item displayed on the basic screen. You can operate the items on the setting screen by using the “▲”, “▼” and “**i/SET**” switches.

## Basic screens



- 1) Clock
- 2) Climate control\*
- 3) Outside temperature
- 4) Information screen

\*: This is not displayed on the multi-function display (color LCD) when the ignition switch

is in the “ACC” position.

While the ignition switch is in the “ACC” or “ON” position, the basic screen will be displayed.

### ▼ Outside temperature indicator

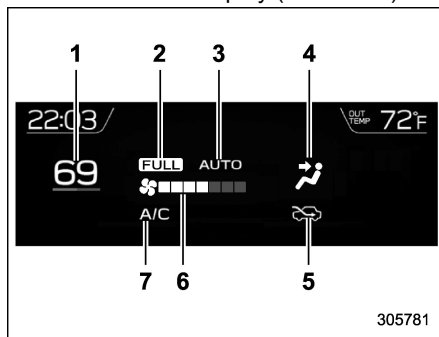
The outside temperature is displayed on the multi-function display (color LCD).

### NOTE

- The outside temperature indicator shows the temperature around the sensor. Therefore, the temperature indication may differ from the actual outside air temperature.
- The temperature unit cannot be changed.

### ▼ Climate control screen

The climate control status is displayed on the multi-function display (color LCD).



#### Climate control screen

- 1) Set temperature indicator
- 2) FULL AUTO indicator
- 3) AUTO indicator
- 4) Airflow mode indicator
- 5) Air inlet selection indicator
- 6) Fan speed indicator
- 7) Air conditioner ON indicator

When operating the climate control system, the basic screen switches to the climate control screen. For details about climate control operation, refer to “Climate control panel” P250.

### ▼ Clock

The clock can be displayed in either 12-hour display or 24-hour display. For details about the setting, refer to “Clock” P228.



**▼ Information screen**

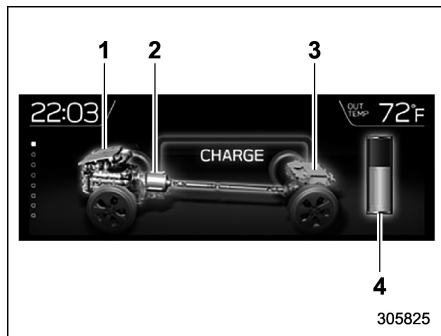
Press the INFO button on the steering wheel to switch the item displayed on the information screen.

<b>Content</b>	<b>Description</b>	<b>Page</b>
Energy flow screen	Displays energy flow.	214
Electric components operating status screen	Displays the operating status of the electric components and equipment.	214
Prevention safety screen	Displays the status of your vehicle.	215
EyeSight screen	Displays the operating status of EyeSight.	215
Favorite screen	Displays up to 3 optional items.	215
Weather information screen*1	Displays weather information.	216
Traffic information*2/Navigation*2 screen	Displays information linked with the navigation system.	217
Audio screen	Displays audio system information.	217
Fuel consumption screen	Displays fuel consumption information.	217
Clock screen	Displays the clock.	218
Guidance screen	Moves to the setting screen.	218

\*1: Models with SiriusXM Satellite Radio

\*2: Models with navigation system

▽ Energy flow screen



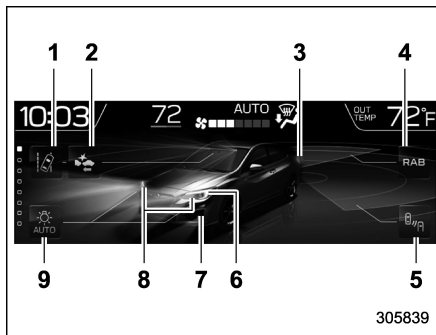
- 1) Engine
- 2) Electric motor
- 3) High voltage battery
- 4) Hybrid Battery Charge Status

The screen displays energy flow.

**NOTE**

The remaining power in the high voltage battery decreases depends on the driving conditions of the vehicle. Also, the remaining amount may decrease due to system power consumption even though the vehicle is not being driven.

▽ Electric components operation screen



- 1) Lane Departure/Sway Warning indicator
- 2) Pre-Collision Braking System indicator
- 3) Stop lights
- 4) Reverse Automatic Braking (RAB)
- 5) BSD/RCTA
- 6) Headlights\*
- 7) Front fog lights
- 8) Turn signals
- 9) Auto on/off headlights

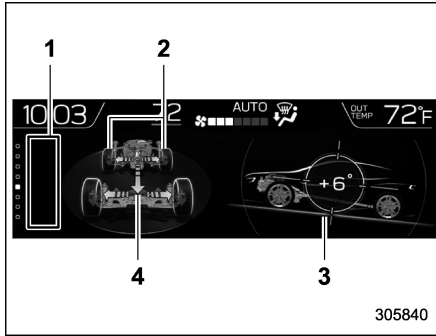
\*: The daytime running lights are not displayed.

This screen displays the electric components operation status of the vehicle.

**NOTE**

- Indicators do not display for functions that are not equipped to the vehicle.
- The indicators of functions that are not operating are displayed in grey.
- If the multi-function display (color LCD) unit, battery, or fuse is removed, the Auto on/off headlights indicator turns off on the multi-function display (color LCD). After reinstalling the removed multi-function display (color LCD) unit, battery, or fuse to the vehicle, the Auto on/off headlights indicator will appear once more if the light control switch is turned to the "AUTO" position.
- The exterior lights indicators on the screen do not notify the driver when the bulbs burn out. The indicators on the screen still illuminate.

## ▽ Prevention safety screen



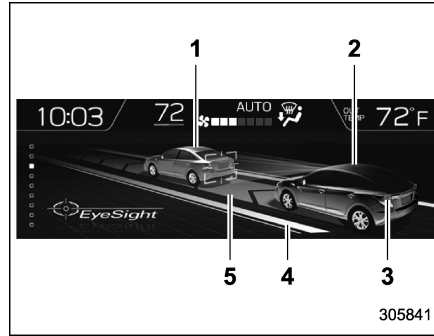
- 1) Telltale screen
- 2) Steering angle
- 3) Vehicle posture
- 4) Running condition

This screen displays the driving status of the vehicle and the operation status functions. For functions that are operating, the indicator will illuminate or flash.

**NOTE**

- The vehicle posture indication may differ from the actual vehicle posture.
- When X-MODE has turned on, the screen of the multi-function display is switched to the prevention safety screen.

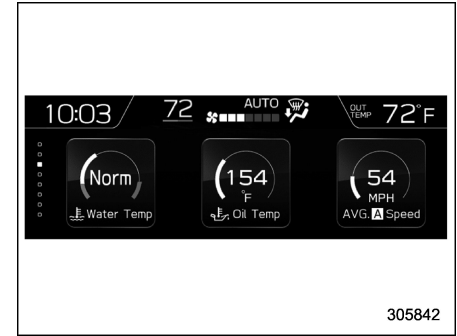
## ▽ EyeSight screen











- 1) Lead vehicle indicator
- 2) Your own vehicle indicator
- 3) Stop lights
- 4) Road line indicator
- 5) Lane indicator




This screen displays the status of the EyeSight system. The lead vehicle indicator moves forward and backward depending on the distance with the vehicle in front. For details, refer to the Owner's Manual supplement for the EyeSight system.

## ▽ Favorite screen

**Favorite screen (display example)**

This screen displays up to three optional pieces of information that can be selected from the following items.

Item	Details
	The engine coolant temperature is displayed.
	The engine oil temperature is displayed.
	The average vehicle speed is displayed.
	The accelerator opening ratio is displayed.
	The vehicle posture is displayed.
	The current rate of fuel consumption is displayed.
	The direction of the vehicle is displayed.*1
	The weather information is displayed.*2

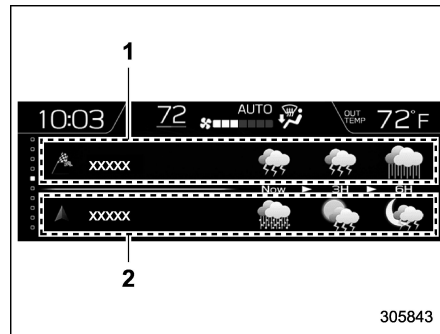
Item	Details
	The posted speed limit of the road you are currently driving on is displayed.*1
	The calendar is displayed.
	Nothing is displayed.

\*1: If equipped  
 \*2: Models with SiriusXM Satellite Radio

**NOTE**  
 Some displayed items may be not displayed depending on the model and specifications.

The items shown in the favorite screen can be changed. For details, refer to "Favorite setting" P225.

▽ Weather information screen (if equipped)



- 1) Weather information for the destination\*
- 2) Weather information for the current location

\*: Only when a destination is set in the navigation system

The weather information is displayed on the screen.

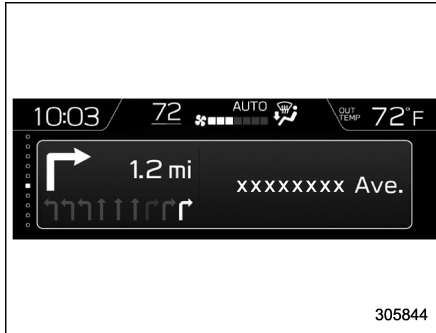
**NOTE**  
 • When all of the following conditions are satisfied, weather information is displayed.

- The vehicle is equipped with an audio and navigation system for SiriusXM satellite radio.
- You have a current SiriusXM

satellite radio subscription.

- The weather forecast for the set destination remains displayed until a new destination is set or until you reach the destination.
- Depending on the reception timing of XM, the display of weather information may be delayed.

#### ▽ Navigation screen (models with navigation system)



The navigation system information to the destination is displayed on the screen.

#### NOTE

When a destination is not set in the navigation system, the compass orientation, name, route sign and speed limit of the road the vehicle is traveling on

remain displayed on the screen.

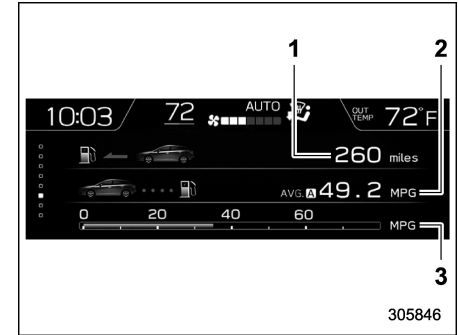
#### ▽ Audio screen



The screen of the currently selected audio source is displayed.

For details about how to use the audio set, refer to the separate navigation/audio Owner's Manual.

#### ▽ Fuel consumption screen



- 1) Driving range on remaining fuel
- 2) Average fuel consumption corresponding to the driving distance of each trip meter
- 3) Current fuel consumption

The fuel consumption information is displayed on the screen.

#### NOTE

The driving range on remaining fuel is only a guide. The indicated value may differ from the actual driving range on remaining fuel, so you must immediately fill the tank when the low fuel warning light illuminates.

▽ Clock/date screen

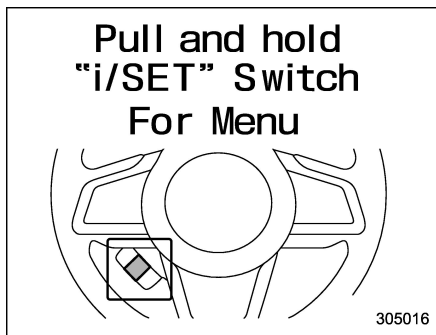


The time and date are displayed. You can adjust the time and date. For details, refer to “Clock” P228.

▽ Guidance screen



When the INFO button on the steering wheel is pressed and held on this screen, the setting screen can be displayed. For details, refer to “Setting screen” P218.



**NOTE**

When the combination meter display (color LCD) is displaying the menu screen entering screen, the system will not move to the setting screen even if the INFO button is pressed and held.

■ Setting screen

1. Press and hold the INFO button on the guidance screen. The top menu is displayed.
2. Operate the “▲” or “▼” switch to select the preferred menu from the top menu.
3. Pull the “i/SET” switch to enter the selected menu.
4. Operate the “▲” or “▼” switch to select the preferred menu from the 2nd menu.
5. Pull the “i/SET” switch to enter the selected menu.

The menu list is as follows.

Top menu	2nd menu	Description		Page
Time/Date	Time/Date*	Set and adjust the time and date. 12h or 24h format can be selected.		221
	Birthday	Set a birthday.		221
	Anniversary	Set an anniversary day.		221
	Go Back	Return to the 1st menu.		—
High voltage battery settings	High voltage battery cooling screen	Set to display a message when the cooling is required during charging.	On/Off	221
	High voltage battery heating setting	Set to warm the high voltage battery during charging.	On/Off	223
	Go Back	Return to the 1st menu.		—
Charge settings	Charge timer settings	Set timer charging.		223
	Maximum charge current setting	Set the maximum current value for charging.		223
	Charge cable connector lock mode	Configure the charge cable lock/unlock setting.		224
	Go Back	Return to the 1st menu.		—
Display/Beep	Screen Off*	Turn the screen on or off.	Yes or No	224
	Favorite	Set and customize the triple meter.		225
	Bypass Screen	Set the bypass screen for each item.	On or Off	225
	Beep	Adjust the beep sound volume.	High, Low or Off	225
	Go Back	Return to the 1st menu.		—

## 220 Multi-function display (color LCD)

Top menu	2nd menu	Description		Page
Maintenance	Engine Oil	Set and adjust the oil maintenance notification date.		226
	Oil Filter	Set and adjust the oil filter maintenance notification date.		226
	Tires	Set and adjust the tire maintenance notification date.		226
	Maintenance Schedule	Set and adjust the vehicle maintenance notification date.		226
	ON/OFF	Turn on or off the self-check screen that is activated when the ignition switch is turned to the "ON" position.	On or Off	226
	Clear All Settings	Clear all settings for maintenance items.	Yes or No	227
	Go Back	Return to the 1st menu.		—
Initialize	—	Reset all settings to the default settings.	Yes or No	227
Go Back	—	Return to the setting screen.		—

\*: You can also set this while driving.



## ▼ Date and time settings

You can set the date, time and 12h or 24h format settings.

### ▽ Current date and time setting

For details about clock setting, refer to “Clock” [P228](#).

### ▽ Birthday setting

If a birthday or anniversary is approaching, a message will be displayed when the ignition switch is turned to the “ON” position. This function can be set to on or off. For details, refer to “Bypass screen setting” [P225](#).

1. Select “Birthday” from the 2nd menu in the setting screen. Refer to “Setting screen” [P218](#).



305849

2. Select from the list the number that you want to register.



305850

3. Enter the date and the text by using the control switches.

4. Select “Set” to exit settings. Select “Go Back” to return to the previous screen

without applying the setting changes.

## NOTE

You can store a maximum of 5 birthdays.

### ▽ Anniversary setting

1. The procedure for setting an anniversary is the same as “Birthday setting” [P221](#), except that in step 1 “Anniversary” is selected.

## NOTE

You can store a maximum of 5 anniversaries.

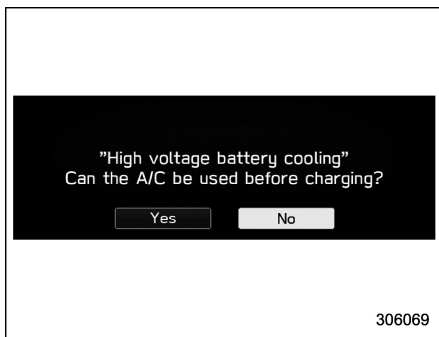
### ▼ High voltage battery settings

Set to reduce the effects of air temperature on the high voltage battery during charging.

### ▽ High voltage battery cooling screen setting

When the high voltage battery shows a high temperature, use the climate control system to cool it down before charging.

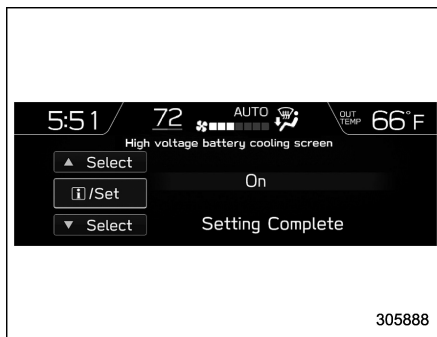
The high voltage battery is cooled in order to protect it.



#### Check screen

If the high voltage battery is hot when the ignition switch is turned off, a check screen is displayed. This check screen can be turned on and off in the “High voltage battery cooling screen” settings on the multi-function display.

1. Select “High voltage battery cooling screen” from the 2nd menu in setting screen. Refer to “Setting screen” P218.



2. Select “On” to display the check screen when the high voltage battery is high temperature. Select “Off” to inactive the check screen.

3. Select “Set” to exit settings. Select “Go Back” to return to the previous screen without applying the setting changes.

#### NOTE

- When the high voltage battery is above a certain temperature and the ignition switch is turned off, a check screen is displayed on the multi-function display. The system activates approximately 5 minutes after the user selects YES on the screen and inserts the charging gun.
- If a check screen is set to “Off”, the high voltage battery cooling function

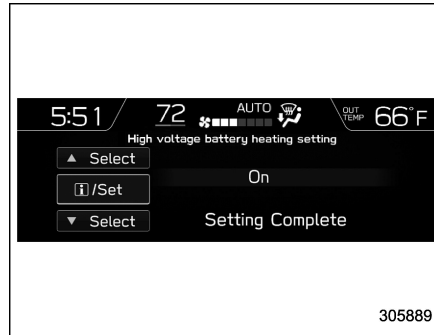
will not operate.

- When charging starts, the high voltage battery cooling function operates if the high voltage battery temperature is hot.
- The charging indicator is illuminated while the high voltage battery cooling function is on standby or operating.
- The high voltage battery cooling function is implemented for a maximum of approximately 30 minutes. However, when the “Departure time” is set and there is not sufficient time between the current time and the time that charging will complete, the high voltage battery cooling function operation time may become shorter.
- When there is a small amount of remaining charge in the high voltage battery, even if the high voltage battery is hot, the high voltage battery cooling function may not be implemented.
- When the following operations are performed while the high voltage battery cooling function is operating, the high voltage battery cooling operation stops.
  - A door is opened
  - The engine hood is opened
  - The ignition switch is turned to any mode other than off
  - The shift position is changed to

- any position other than P
- The remote climate control system is operated
  - “Charge Now” is implemented
  - The amount of remaining charge in the high voltage battery is below a certain amount
- The high voltage battery cooling function uses the power of the external power source. While the high voltage battery cooling function is operating, the amount of the remaining charge of the high voltage battery increases and decreases in a certain range, and does not increase as in normal charging.

#### ▽ High voltage battery heating setting

When the outside temperature is low and a charge cable is connected to the vehicle, this function automatically heats up the high voltage battery to a certain temperature.



1. The setting procedure is the same as battery cooling setting, but select the “High voltage battery heating setting” item in step 1.

#### NOTE

- **When the charge cable is removed from the vehicle or remains connected to the vehicle for approximately 3 days, the system automatically stops.**
- **When Remote Battery Charging Timer is used, this function will operate according to the timer settings.**
- **When the high voltage battery heating function is operating, the charging indicator illuminates.**
- **When the high voltage battery heating function is operating during charging, the charging time may be longer**

than normal.

- **If the outside temperature becomes high while the high voltage battery heating function is operating, charging may complete earlier than “Departure time” set.**
- **When the high voltage battery is extremely cold (below approximately -22°F (-30°C)) under the influence of the outside temperature, it may not be possible to start the hybrid system. In this case, try to start the hybrid system again after the temperature of the high voltage battery increases due to the outside temperature increase etc.**

#### ▼ Charge settings

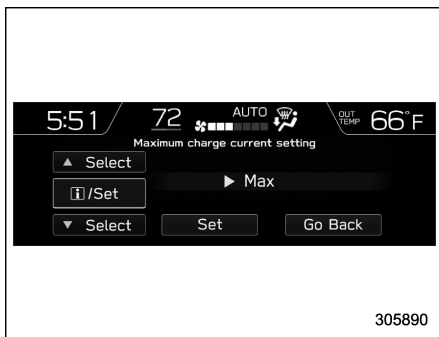
Set the functions related to charging.

##### ▽ Charge timer settings

Set the Remote Battery Charging Timer. For details, refer to “Using the Remote Battery Charging Timer” P57.

##### ▽ Maximum charge current setting

Set the value of the maximum charge current while charging.



305890

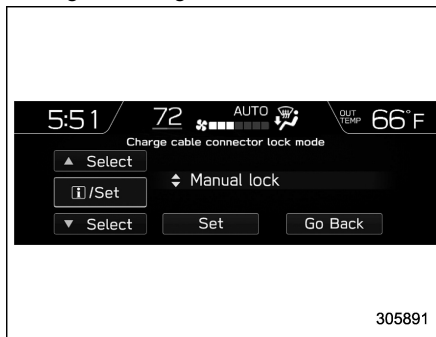
1. Select “Maximum charge current setting” from the 2nd menu in setting screen. Refer to “Setting screen” P218.
2. Select the setting.
3. Select “Set” to exit settings. Select “Go Back” to return to the previous screen without applying the setting changes.

## NOTE

- If the breaker still trips while charging, even after changing the upper limit of the charging current, check if the connected power source meets the specified charging conditions.
- Restricting the charging current will lengthen the charging time.

### ▽ Charge cable connector lock mode setting

Set the charge cable connector mode for locking/unlocking.



305891

1. Select “Charge cable connector lock mode” from the 2nd menu in setting screen. Refer to “Setting screen” P218.
2. Select the setting.
  - Auto lock & Auto unlock: Lock the cable when it is inserted, and unlock the cable automatically when charging is completed.
  - Auto lock: Lock the cable when it is inserted automatically.
  - Manual lock: Lock and unlock are performed manually.

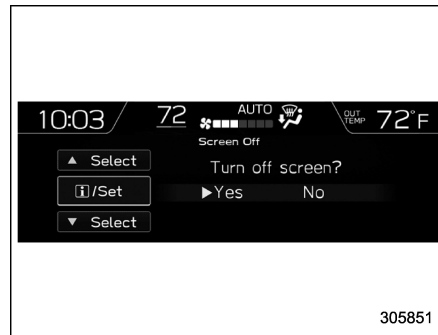
3. Select “Set” to exit settings. Select “Go Back” to return to the previous screen without applying the setting changes.

### ▼ Display/Beep settings

You can set the display settings and volume settings.

#### ▽ Screen OFF setting

1. Select “Screen Off” from the 2nd menu in setting screen. Refer to “Setting screen” P218.



305851

2. Select “Yes” to turn off the screen. Select “No” to return to the previous screen.

### Restoring the screen

When the INFO button is operated after the ignition switch is turned to the “ON” or

“ACC” position, the screen will be restored. The screen will be restored with the basic screen that was displayed when the screen was turned off.

## NOTE

While the screen is off, the screen switches to the climate control screen only when the climate control system is operated.

### ▽ Favorite setting

1. Select the “Favorite” from the 2nd menu in setting screen. Refer to “Setting screen” P218.



2. Set the desired items by using the control switches. For details about items, refer to “Favorite screen” P215.  
3. Select “Set” to exit settings. Select “Go

Back” to return to the previous screen without applying the setting changes.

## NOTE

- You can display a maximum of the 3 items.
- The same item cannot be selected for the left, center or right location.
- Weather information for 3 hours later or 6 hours later can be displayed.

### ▽ Bypass screen setting

1. Select “Bypass Screen” from the 2nd menu in the setting screen. Refer to “Setting screen” P218.



2. Select “On” or “Off” to turn the display of items on or off by using the control switches.

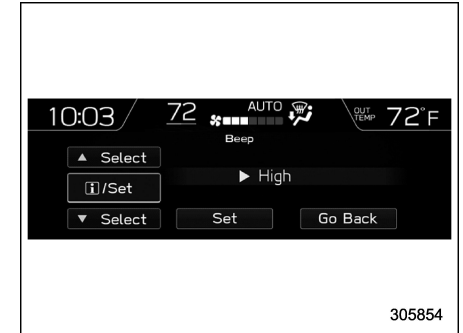
3. Select “Set” to exit settings. Select “Go Back” to return to the previous screen without applying the setting changes.

## NOTE

Traffic information setting is only displayed for the audio unit with SiriusXM satellite radio.

### ▽ Beep setting

1. Select “Beep” from the 2nd menu in the setting screen. Refer to “Setting screen” P218.



2. Set the beep volume by using the control switches.

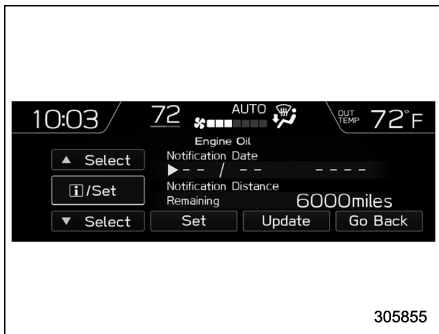
3. Select “Set” to exit settings. Select “Go Back” to return to the previous screen without applying the setting changes.

▼ Maintenance settings

You can set maintenance reminders.

▽ Engine oil setting

1. Select “Engine Oil” from the 2nd menu in the setting screen. Refer to “Setting screen” P218.



2. Set the date and distance of the reminder by using the control switches.
3. Select “Set” to exit settings. Select “Update” to change the notification distance to the default value. Select “Go Back” to return to the previous screen without applying the setting changes.

NOTE

● The reminder will be displayed by either date or distance in accordance with the setting.

● Even when either “Day” or “Distance” are displayed as “\_ \_” a pop-up screen will appear.

● The reminder will be displayed until either of the following conditions is satisfied.

- The period of time passed after the registered notification date is 15 days or more.
- The total distance driven after the registered notification distance is approximately 311 miles (500 km) or more.

▽ Oil filter setting

The setting procedure is the same as “Engine oil setting” P226, but select the “Oil Filter” item in step 1.

▽ Tires setting

The setting procedure is the same as “Engine oil setting” P226, but select the “Tires” item in step 1.

▽ Maintenance schedule setting

The setting procedure is the same as “Engine oil setting” P226, but select the “Maintenance Schedule” item in step 1.

▽ ON/OFF setting

1. Select “ON/OFF” from the 2nd menu on the setting screen. Refer to “Setting screen” P218.



2. Select “On” or “Off” to turn the opening screen on or off by using the control switches.
3. Select “Set” to exit settings. Select “Go Back” to return to the previous screen without applying the setting changes.

### ▽ Clear All setting

1. Select “Clear All Settings” from the 2nd menu on the setting screen. Refer to “Setting screen” P218.



2. Select “Yes” or “No” by using the control switches.

### ▼ Initialize

You can initialize the items that have been set to your preference.

1. Select “Initialize” from the 2nd menu on the setting screen. Refer to “Setting screen” P218.



2. Select “Yes” or “No” by using the control switches.

### ■ How to get the source code using the open source

Free/Open Source Software Information

This product contains Free/Open Source Software (FOSS).

The license information and/or the source code of such FOSS can be found at the following URL.

<http://www.globaldenso.com/en/open-source/ivi/subaru/>

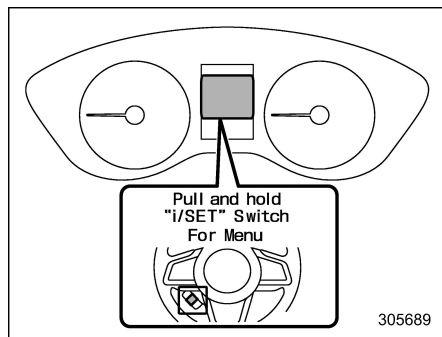
### 3-8. Clock

For models with a SUBARU genuine navigation and/or audio system, the clock can be adjusted using either auto mode or manual mode.

- Auto mode: automatic clock adjustment
- Manual mode: manual clock adjustment

#### ■ Setting the clock manually

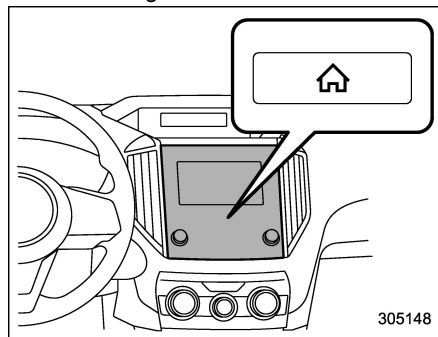
#### NOTE



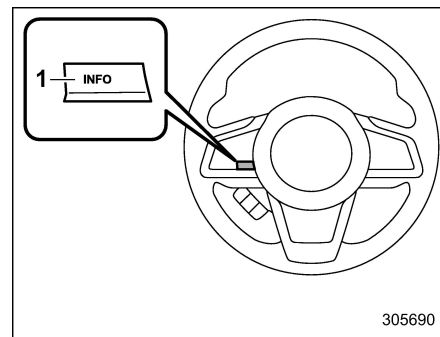
When the combination meter display (color LCD) is displaying the menu screen entering screen, the system will not move to the selection screen even if

the "INFO" button is pressed and held. Before adjusting the clock, be sure to change the combination meter display (color LCD) to a screen other than the menu screen entering screen.

1. Turn the ignition switch to "ON".



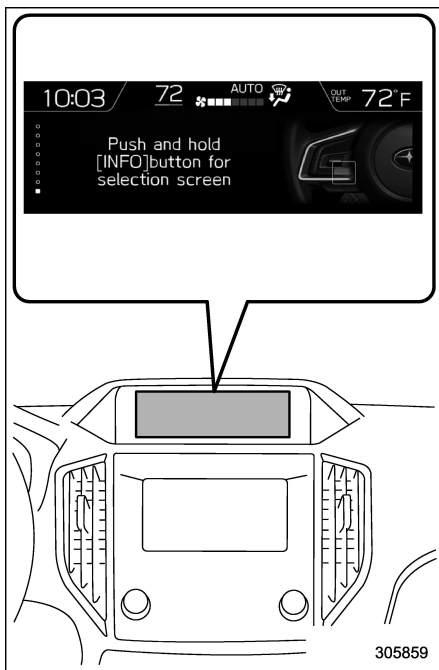
2. Press the button.
3. Select "Settings".
4. Select "Vehicle".
5. Select "Clock adjustment" and then select "Manual".



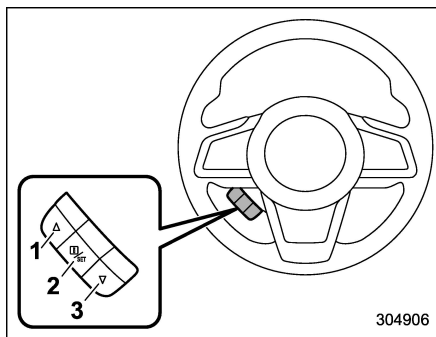
- 1) "INFO" button

6. Press the "INFO" button on the steering wheel to display the guidance screen.



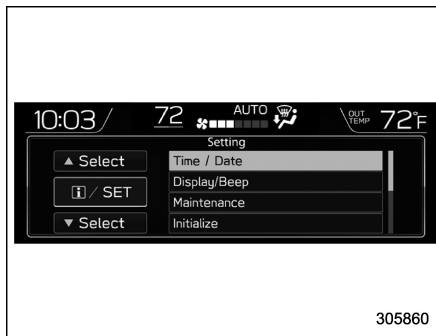


7. While displaying the guidance screen, press and hold the “INFO” button on the steering wheel. The screen goes to the selection screen.



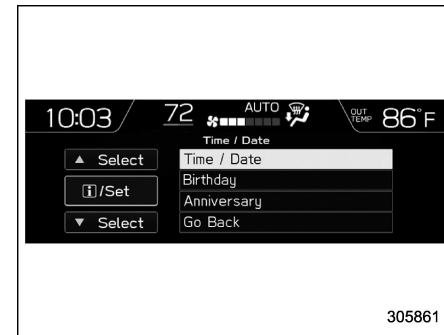
- 1) ▲ (up)
- 2) **i**/SET (enter)
- 3) ▼ (down)

8. Pull the “▲” or “▼” switch to select the item.



9. Select “Time/Date” and pull the **i**/SET

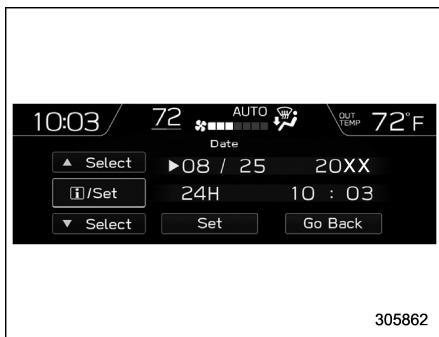
switch.



10. Select “Time/Date” and pull the **i**/SET switch.

### NOTE

If “Clock adjustment” is not in manual mode, “Time/Date” cannot be selected. Be sure to perform steps 2 through 5.



11. Pull the “▲”, “▼” switches to scroll through to the items you can set.

(1) Use the **i**/SET switch to choose the item you would like to change.

(2) Pull the “▲”, “▼” switches to adjust the items.

12. Select “Set” and pull the **i**/SET switch to complete the clock setting.

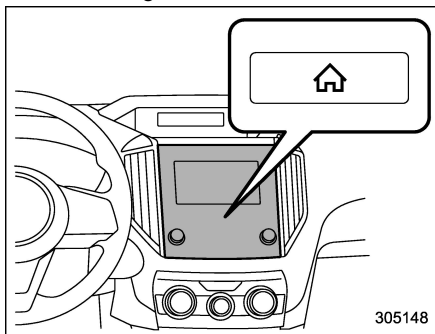
Select “Go Back” to return to the previous screen without saving settings.

## NOTE

The Birthday/Anniversary and maintenance reminder system function are based on the time and date on the multifunction display (color LCD).

## ■ Setting the clock automatically

1. Turn the ignition switch to “ON”.



2. Press the **Home** button.

3. Select “Settings”.

4. Select “Vehicle”.

5. Select “Clock adjustment” and then select “Auto”.

6. Press the **Home** button again to complete the setting.

## ▼ Models with navigation system

The clock will be set automatically where a GPS signal is available.

## ▼ Models without navigation system

The clock will be set and adjusted automatically when a smartphone is connected via Bluetooth® for transferring phonebook data.

1. Register the smartphone to the audio system. For details, refer to “Bluetooth SETTINGS” in the supplemental Owner’s Manual for the audio/navigation system.

2. Transfer phonebook data to the system. For details, refer to “Bluetooth SETTINGS” in the supplemental Owner’s Manual for the audio/navigation system. The clock will be adjusted automatically.

## NOTE

Depending on the model of smartphone, the settings of the connected smartphone may need to be changed. (ex: For iOS or other models, notification settings may need to be activated.)

For details, check the instructions on connecting smartphones.

## ■ Regulatory information



The Bluetooth® word mark and logos are registered trademarks owned by Bluetooth SIG, Inc.

### 3-9. Light control switch

#### ■ Precautions and tips

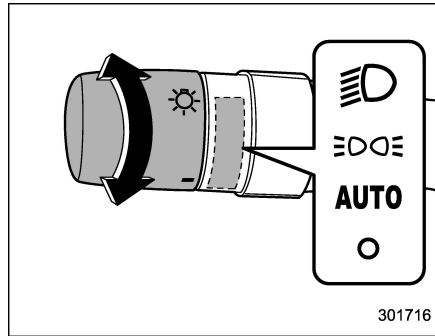
##### ▲ CAUTION

- Use of any lights for a long period of time while the hybrid system is not running can cause the 12 V battery to discharge.
- Before leaving the vehicle, make sure that the lights are turned off. If the vehicle is left unattended for a long time with the lights illuminated, the 12 V battery may be discharged.

The light control switch operates when the push-button ignition switch is in the “ACC” or “ON” position.

Regardless of the position of the light control switch, the illuminated lights are turned off when the push-button ignition switch is turned off.

#### ■ Headlights



To turn on the headlights, turn the knob on the end of the turn signal lever.

##### “☞” position:

Instrument panel illumination, headlights, parking lights, front side marker lights, rear side marker lights, tail lights and license plate lights are on.

##### “☞☞” position:

Instrument panel illumination, parking lights, front side marker lights, rear side marker lights, tail lights and license plate lights are on.

##### “AUTO” position:

##### ● Auto on/off headlights

When the ignition switch is in the “ON” position, the instrument panel illumination, headlights, parking lights, front side mar-

ker lights, rear side marker lights, tail lights and license plate lights are automatically on or off depending on the level of the ambient light.

#### NOTE

The sensitivity of the auto on/off headlights can be changed by a SUBARU dealer. Consult your SUBARU dealer for details. Also, the setting can be changed using the display. For details, refer to “Vehicle Setting” ☞ P208.

##### ● Auto-on/off wiper-linked headlights

While the light control switch is in the “AUTO” position, the headlights will automatically turn on when the windshield wipers operate several times. The headlights will automatically turn off when the wipers stop.

#### NOTE

The ON/OFF setting of this function can be changed by a SUBARU dealer. Consult your SUBARU dealer for details.

##### “O” position:

The headlights are all off.

▼ **Welcome lighting function**

The welcome lighting function turns on the low beam headlight for smooth approaching to or exiting from the vehicle at night or in a dark place.

The function is activated while all of the following conditions are met.

- The light control switch is in the “AUTO” position.
- It is dark enough to turn on the auto on/off headlights.

**When approaching:**

While the welcome lighting function is activated, the low beam headlights will automatically illuminate when unlocking the doors and the rear gate by using the remote keyless entry system.

The low beam headlights will remain illuminated for 30 seconds\*1 and then turn off. However, if any of the following operations is done, the low beam headlights will turn off.

- The doors are locked.
- The light control switch is turned to a position other than “AUTO”.
- The ignition switch is turned to the “ON” position.

**When exiting:**

While the welcome lighting function is activated, the low beam headlights will remain illuminated even when either of the following operation is done.

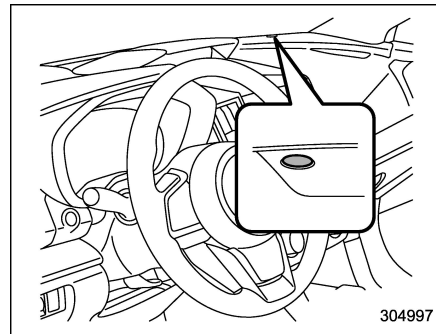
- The push-button ignition switch is turned to the “OFF” status.

The low beam headlights will turn off under any of the following conditions.

- 3 minutes have passed since the low beam headlights were illuminated by the welcome lighting function.
- 30 seconds have passed since the door is opened and closed.\*1
- The light control switch is turned to a position other than “AUTO”.
- The locking procedure is performed twice. When performing the unlocking procedure after performing the locking procedure, perform the locking procedure twice again.

\*1: The setting for the period of time in which the low beam headlights remain on by the welcome lighting function can be changed by a SUBARU dealer. Contact your SUBARU dealer for details.

▼ **Sensor for the auto on/off headlights**

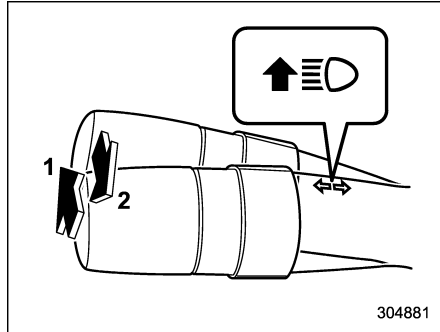


The sensor is on the instrument panel as shown in the illustration.

**CAUTION**

**If any object is placed on or near the sensor, the sensor may not detect the level of the ambient light correctly and the auto on/off headlights may not operate properly.**

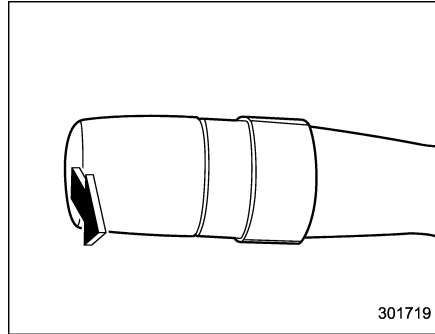
## ■ High/low beam change (dimmer)



- 1) High beam
- 2) Low beam

When the headlights are on high beam, the high beam indicator light “” on the combination meter is also on.

## ■ Headlight flasher



### CAUTION

**Do not hold the lever in the flashing position for more than just a few seconds.**

To flash the headlights, pull the lever toward you and then release it. The high beam will stay on for as long as you hold the lever.

When the headlights are on high beam, the high beam indicator light “” on the combination meter also illuminates.

## ■ High beam assist function

### NOTE

- The high beam assist function utilizes the stereo camera installed at the position of the front map lights.
- For details on how to handle the stereo camera, refer to the Owner’s Manual supplement for the EyeSight system.

The high beam assist function automatically changes the headlight from high beam to low beam (or vice versa).

When all of the following conditions are met, the headlight will change to high beam.

- When the vehicle speed increases to or above 20 mph (32 km/h).
- There is no preceding or oncoming vehicle.
- The forward area of the vehicle is dark.
- The road does not have a sharp curve.

When any of the following conditions is met, the headlight will change to low beam.

- When the vehicle speed decreases to or below 10 mph (16 km/h).
- When the forward area of the vehicle is bright.
- When there is a preceding or oncoming vehicle.

- When the EyeSight system is malfunctioning or is temporarily stopped.

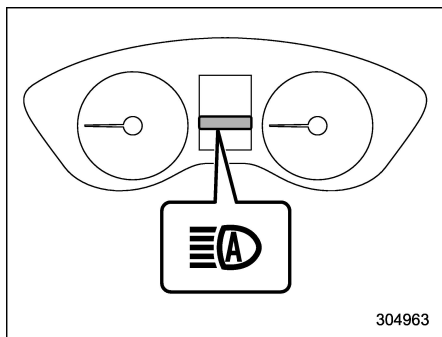
### NOTE

The factory setting (default setting) for this function is set as “operational”. This setting can be changed to OFF (non-operation) at SUBARU dealers. For more details, contact a SUBARU dealer.

### ▼ How to use the high beam assist function

The high beam assist function will be activated when all the following conditions are met.

- The light control switch is in the “AUTO” position and the low beam headlights are on automatically.
- The turn signal lever is pushed forward.



### High beam assist indicator light

When the high beam assist function is activated, the high beam assist indicator light on the combination meter will illuminate.


### NOTE

If the high beam assist function is malfunctioning or is temporarily stopped, the headlight will be fixed at low beam.

### ▼ How to temporarily lower the sensitivity of the high beam assist function

The sensitivity of the high beam assist function can be lowered by performing the following operations.

1. Before turning the ignition switch to the “ON” position, set the light control switch to the “AUTO” position and push the signal lever forward (high beam position).
2. Turn the ignition switch to the “ON” position and within approximately 15 seconds, press the “ $\Delta/\nabla$ ” (following distance setting) switch more than 10 times consecutively.

When the sensitivity of the high beam assist function is lowered, the EyeSight temporary stop indicator (white) “” on the combination meter will flash.

### NOTE

- The sensitivity of the high beam assist function cannot be lowered in the following conditions.
  - Cruise control or Adaptive Cruise Control is in operation.
  - The EyeSight warning indicator (yellow) is illuminated.
- The sensitivity of the high beam assist function returns to normal level the next time the ignition switch is


turned to the “OFF” position and the hybrid system is restarted.

### ▼ How to change the headlight mode manually

#### Change to the low beam:


When you return the turn signal lever to the center position, the high beam assist function will turn off and the high beam assist indicator light will turn off.

#### Change to the high beam:

When you turn the light control switch to the “” position, the headlight mode will be changed to the high beam.

At this time, the high beam assist function will turn off, the high beam assist indicator will turn off and the high beam indicator light will turn on.

### NOTE

- After manually changing the headlight mode to the high beam, if you turn on the high beam assist function, return the light control switch to the “AUTO” position.
- When manually changing the headlight mode to the high beam, if you turn the light control switch to the “” position, the instrument panel illumination, parking lights, front side marker lights, rear side marker lights, tail lights

and license plate lights will be on.

### ▼ Tips for the high beam assist system

- The high beam assist function recognizes the conditions surrounding the vehicle based on the brightness of illumination ahead of your vehicle, etc. Therefore, the headlight mode may switch in some situations that do not match to the driver's sense.
  - A bicycle or cargo cycle may not be detected.
  - Under the following situations, the brightness of ambient illumination may not be detected correctly and the high beam assist function may not work properly. As a result, the glare of the high beam may disturb the oncoming vehicle or vehicle ahead. Also, the low beam mode may continue although there are no oncoming vehicles and vehicles ahead. In the such cases, change the headlight mode manually.
    - In bad weather (fog, snow, sand storm, heavy rain, etc.).
    - When the windshield glass is dirty or fogged.
    - When the windshield is cracked or damaged.
    - When the stereo camera is deformed or the stereo camera lenses

are dirty.

- If there are lights similar to the headlights or the tail lights in the surrounding area.
- When an oncoming vehicle or vehicle ahead is driven without its headlights and tail lights on.
- If the headlights of an oncoming vehicle or the tail lights of a vehicle ahead are dirty or discolored, or if the light beams are not aimed correctly.
- When a rapid change of brightness continues while driving.
- When driving on a road with many ups and downs or uneven surfaces.
- When driving on a road with many curves.
- When there are some objects that reflect light strongly, such as a road sign or a mirror in vehicle ahead.
- When the rear part of the vehicle ahead, such as a container, reflects light strongly.
- When the headlights of your vehicle are damaged or dirty.
- When your vehicle is tilted, such as in case the vehicle has a flat tire or is being towed.
- Immediately after the hybrid system has started.
- In the following conditions, the headlight mode will not be automatically chan-

ged from the high beam to the low beam.

- When your vehicle passes an oncoming vehicle suddenly in a blind curve.
- When another vehicle passes in front of your vehicle.
- When an oncoming vehicle or vehicle ahead comes in and out of view because of continuous curves, median strips, roadside trees, etc.
- If the stereo camera detects the light of the front fog lights of an oncoming vehicle, the headlight mode may change from the high beam to the low beam automatically.
- The headlight mode may change from the high beam to the low beam, or the low beam mode may continue, when affected by a street light, traffic signal, illumination of an advertisement board, or a reflective object such as a road sign and signboard.
- The timing of the change of headlight mode may differ due to the following factors.
  - Color or brightness of the headlights of an oncoming vehicle or the tail lights of a vehicle ahead.
  - The headlights of the oncoming vehicle or the tail lights of the vehicle ahead are covered with mud, snow, etc.
  - Movement and direction of an oncoming vehicle or a vehicle ahead.

- When the headlights of an oncoming vehicle or the tail lights of a vehicle ahead illuminate on only one side.
- When the oncoming vehicle or vehicle ahead is a motorcycle.
- Conditions of a road (slope, curve, road surface, etc.).
- Number of passengers and weight of loaded cargo.
- Limitation of the detection ability of the stereo camera.

## ■ Daytime running light system



### WARNING

**When the daytime running lights are illuminated, the tail lights do not illuminate. When it becomes dark outside, turn the light switch to the “D” position to illuminate the headlights and tail lights. This will improve visibility and allow other drivers to see your vehicle more easily.**

The daytime running lights will automatically illuminate when the following conditions are fulfilled.

- The hybrid system is running.
- The parking brake is fully released.
- The light control switch is in the “AUTO” “D” or off position.

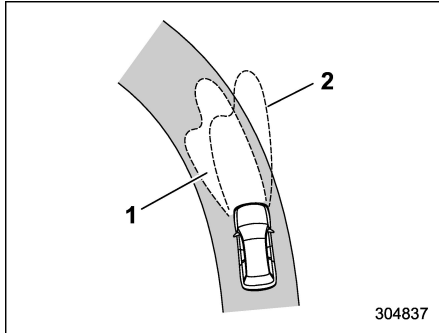
- The select lever is in a position other than the “P” position.

## NOTE

**When the light switch is in the “D” position, the instrument panel illumination, front side marker lights, tail lights and license plate lights are also illuminated.**

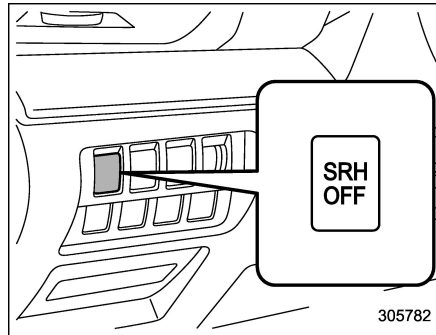


### 3-10. Steering Responsive Headlight (SRH)

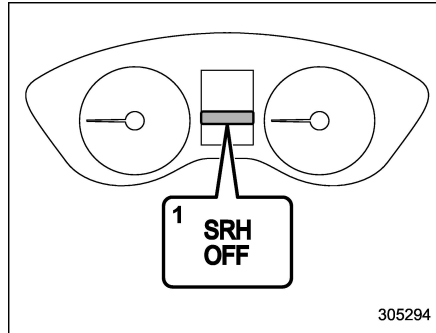


- 1) The target area of illumination when SRH is activated.
- 2) The target area of illumination when SRH is not activated.

SRH is a function that automatically moves the headlight beam to the left or right in accordance with the steering angle and vehicle speed. This function helps to improve the visibility at night by illuminating the road ahead at corners and intersections.



You can turn the SRH function on or off by pressing the SRH OFF switch.



- 1) SRH OFF indicator

The SRH OFF indicator on the combination meter turns off when SRH is turned on. The SRH OFF indicator on the combina-

tion meter illuminates when SRH is turned off.

If SRH is malfunctioning, the SRH OFF indicator on the combination meter flashes when the ignition switch is in the "ON" position. It indicates that SRH has been deactivated. Contact a SUBARU dealer for an inspection.

#### NOTE

- If you turn the ignition switch to the "OFF" position with SRH turned off and then start the hybrid system again, SRH will automatically turn on.
- When you turn the ignition switch to the "ON" position, the SRH OFF indicator will illuminate and turn off after several seconds.
- SRH only activates when the vehicle is traveling forward at the speed of approximately 5 mph (8 km/h) or more.

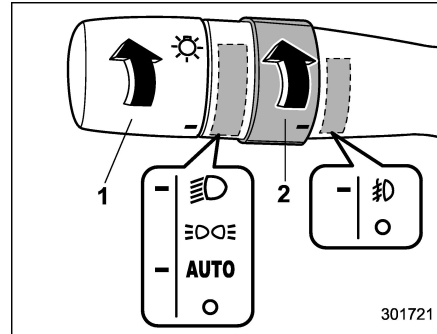
### 3-11. Headlight beam leveler

The LED headlights produce more light than conventional halogen headlights.

When the vehicle is carrying a heavy load and the headlight beams are angled upwards, the driver of an oncoming vehicle may experience glare.

To prevent this, the automatic headlight beam leveler adjusts the headlights to the optimum height automatically depending on the load the vehicle is carrying.

### 3-12. Fog light switch

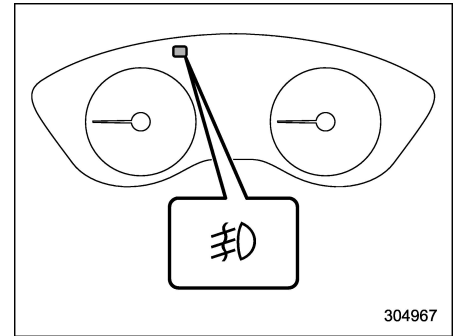


- 1) Headlight switch
- 2) Fog light switch

The front fog lights will turn on when the fog light switch is placed in the “F” position while the headlights are in the following condition.

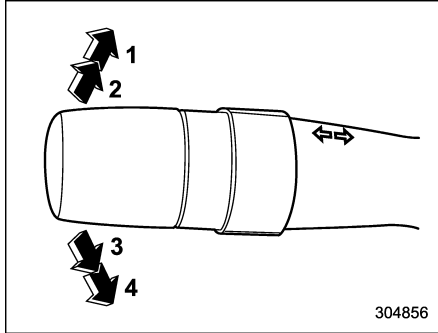
- While the headlight switch is in the “D” position.
- While the headlight switch is in the “AUTO” position and the low beam headlights turn on automatically.

To turn off the front fog lights, turn the switch back down to the “O” position.



The indicator light on the combination meter will illuminate when the front fog lights are illuminated.

### 3-13. Turn signal lever



304856

- 1) Right turn
- 2) Lane change right signal
- 3) Lane change left signal
- 4) Left turn

If the lever does not return after cornering, return the lever to the neutral position by hand.

To signal a lane change, push the turn signal lever up or down slightly and hold it during the lane change. The lever will return automatically to the neutral position when you release it.

### ■ One-touch lane changer

To flash the turn signal and turn signal indicator light three times, push the turn signal lever up or down slightly and immediately release it.

#### NOTE

The operational/non-operational setting of the one-touch lane changer can be changed by a SUBARU dealer. Contact the nearest SUBARU dealer for details. The setting can also be changed by operating the combination meter display (color LCD). For details, refer to “Vehicle Setting” P208.

### 3-14. Wiper and washer

#### ⚠ WARNING

In freezing weather, do not use the windshield washer until the windshield is sufficiently warmed by the defroster.

Otherwise the washer fluid can freeze on the windshield, blocking your view.

#### ⚠ CAUTION

- Do not operate the washer continuously for more than 10 seconds, or when the washer fluid tank is empty. This may cause overheating of the washer motor. Check the washer fluid level frequently, such as at fuel stops.
- Do not operate the wipers when the windshield or rear window is dry. This may scratch the glass, damage the blade rubbers and might cause the wiper motor to fail. Before operating the wiper on a dry windshield or rear window, always use the windshield washer.

- In freezing weather, be sure that the blade rubbers are not frozen to the windshield or rear window before switching on the wipers. Attempting to operate the wiper with the blades frozen to the window glass could cause not only the blade rubbers to be damaged but also might cause the wiper motor to fail. If the blade rubbers are frozen to the window glass, be sure to operate the defroster, windshield wiper deicer or rear window defogger before turning on the wiper.
- If the wipers stop during operation because of ice or some other obstruction on the window, this might cause the wiper motor to fail even if the wiper switch is turned off. If this occurs, promptly stop the vehicle in a safe place, turn the ignition switch to the "OFF" position and clean the window glass to allow proper wiper operation.
- Use clean water if windshield washer fluid is unavailable. In areas where water freezes in winter, use SUBARU Windshield Washer Fluid or the equivalent. Refer to "Windshield washer

fluid" P423.

- Do not clean the blade rubbers with gasoline or a solvent, such as paint thinner or benzine. This will cause deterioration of the blade rubbers.

### NOTE

- The windshield wiper motor is protected against overloads by a circuit breaker. If the motor operates continuously under an unusually heavy load, the circuit breaker may trip to stop the motor temporarily. If this happens, park your vehicle in a safe place, turn off the wiper switch, and wait for approximately 10 minutes. The circuit breaker will reset itself, and the wipers will again operate normally.
- Clean your blade rubbers and window glass periodically with a washer solution to prevent streaking, and to remove accumulations of road salt or road film. Operate the windshield washer for at least 1 second so that washer solution will be sprinkled all over the windshield or rear window.
- Grease, wax, insects or other material on the windshield or the blade rubbers results in jerky wiper operation and streaking on the glass. If you

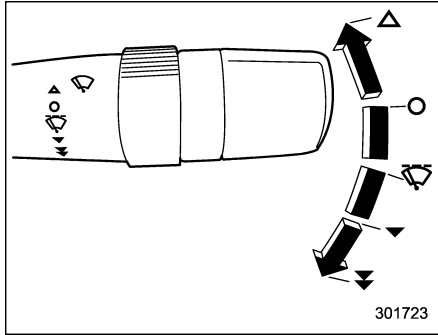
cannot remove those streaks after operating the washer or if the wiper operation is jerky, clean the outer surface of the windshield or rear window and the blade rubbers using a sponge or soft cloth with a neutral detergent or mild-abrasive cleaner. After cleaning, rinse the window glass and blade rubbers with clean water. The glass is clean if no beads form on the glass when you rinse with water.

- If you cannot eliminate the streaking even after following this procedure, replace the blade rubbers with new ones. For replacement instructions, refer to "Replacement of wiper blades" P424.

## ■ Windshield wiper and washer switches

The wiper operates only when the ignition switch is in the "ON" or "ACC" position.

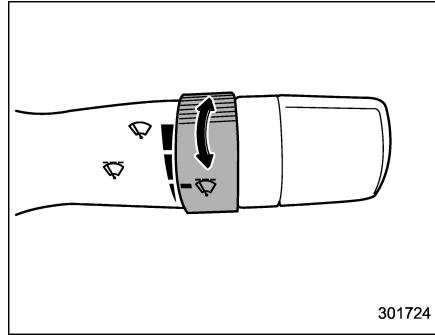
### ▼ Operating the wiper lever



- △ : Mist operation (for a single wipe)
- : Off
- ⏸ : Intermittent operation
- ▼ : Low speed operation
- ⚡ : High speed operation

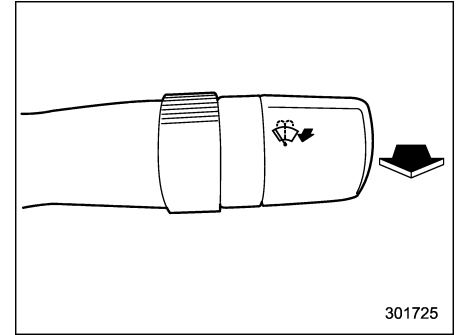
For a single wipe of the wipers, push the lever up. The wipers operate until you release the lever.

### ▼ Wiper intermittent time control

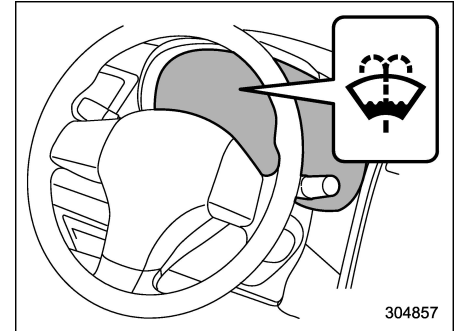


When the wiper switch is in the "⏸" position, turn the dial to adjust the operating interval of the wiper. The operating interval can be adjusted in several steps from the shortest interval to the longest.

### ▼ Windshield washer



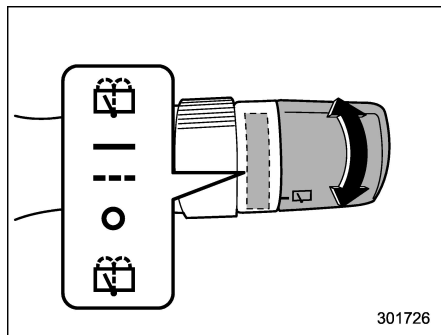
To wash the windshield, pull the wiper control lever toward you. The washer fluid sprays until you release the lever. The wipers operate while you pull the lever.



Windshield washer fluid warning light

**NOTE**

The windshield washer fluid warning light illuminates when the washer fluid level in the tank has dropped to the lower limit. If the warning light illuminates, refill the tank with fluid. For the refilling procedure, refer to “Windshield washer fluid” P423.

**■ Rear window wiper and washer switch**

 : Washer operation (accompanied by wiper operation)

 : Continuous operation

 : Intermittent operation

 : Off

 : Washer operation (accompanied by wiper operation)

**▼ Rear wiper**

With the switch turned to the “---” position, the rear wiper will operate intermittently at intervals corresponding to the vehicle speed. In this position, when you move the select lever to the “R” (reverse) position, the rear wiper will switch to continuous operation. When you move the select lever from the “R” (reverse) position to another position, the rear wiper will return to intermittent operation.

**Reverse gear interlocked rear wiper:**

Even if the rear wiper switch is in the off “O” position, if the front windshield wiper is operating continuously, the rear wiper will operate intermittently when you move the select lever to the “R” (reverse) position.

The factory setting (default setting) of the reverse gear interlocked rear wiper is as follows.

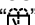
- U.S.-spec. models: Non-operational

This setting can be changed by a SUBARU dealer. Consult your SUBARU dealer for details.

**⚠ CAUTION**

**Do not attach anything that disturbs the rear wiper operation on the rear gate. Doing so may damage the rear wiper when it operates.**

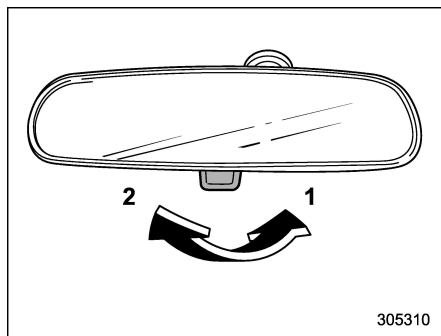
**▼ Washer**

To wash the rear window, turn the knob to the  position. The washer fluid sprays and the wiper operates until you release the knob.

## 3-15. Mirrors

Always check that the inside and outside mirrors are properly adjusted before you start driving.

### ■ Inside mirror



- 1) Normal position
- 2) Anti-glare position

Push the tab on the mirror for normal use. To reduce glare from the headlights of the vehicle behind you, pull the tab to the anti-glare position.

### ■ Outside mirrors

#### ▼ Convex mirror (passenger side)

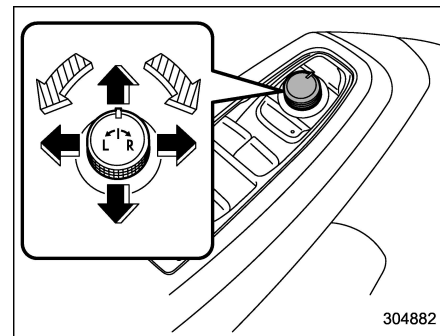
#### ⚠ WARNING

Objects look smaller in a convex mirror and farther away than when viewed in a flat mirror. Do not use the convex mirror to judge the distance of vehicles behind you when changing lanes. Use the inside mirror (or glance backwards) to determine the actual size and distance of objects that you view in convex mirror.

#### ⚠ CAUTION

**Make sure to adjust the mirrors before driving.**

#### ▼ Remote control mirror switch



☞: Select side to adjust

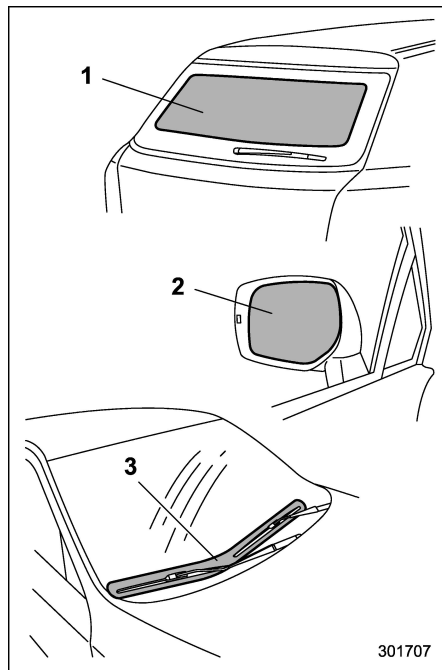
➡: Direction control

The remote control mirrors operate only when the ignition switch is in the "ON" or "ACC" position.

1. Turn the control switch to the side that you want to adjust. "L" is for the left mirror, "R" is for the right mirror.
2. Move the control switch in the direction you want to move the mirror.
3. Return the control switch to the neutral position to prevent unintentional operation.

The mirrors can also be adjusted manually.

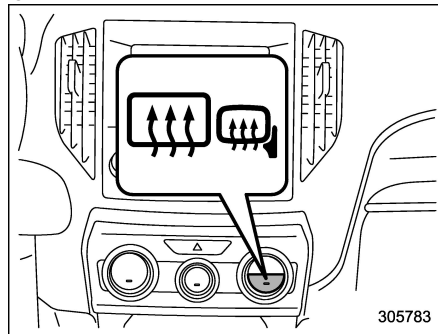
### 3-16. Defogger and deicer



- 1) Rear window defogger
- 2) Outside mirror defogger
- 3) Windshield wiper deicer

The vehicle is equipped with the defogger

and the deicer system. The defogger and deicer system is activated only when the ignition switch is in the "ON" position.



**Rear window defogger button and outside mirror defogger button**

To activate simultaneously the rear window defogger, outside mirror defogger and windshield wiper deicer, press the control switch that is located on the climate control panel. The indicator light on the control switch illuminates while the defogger and deicer system is activated.

To turn them off, press the control switch again. They also turn off when the ignition switch is turned to the "ACC" or "OFF" position.

The defogger and deicer system will automatically shut off after approximately

15 minutes. If the rear window and the outside mirrors have been cleared and the windshield blade rubbers have been deiced completely before that time, press the control switch to turn them off.

**For climate control system (type B and C),** it is possible for the defogger and deicer system to be set to continuous operation mode by a SUBARU dealer. Consult your SUBARU dealer for details. Also, it is possible to set the defogger and deicer system for the continuous operation mode. For details, refer to "Vehicle Setting" P208.



#### CAUTION

- To prevent the 12 V battery from being discharged, do not operate the defogger and deicer system continuously for any longer than necessary.
- Do not use sharp instruments or window cleaner containing abrasives to clean the inner surface of the rear window. They may damage the conductors printed on the window.

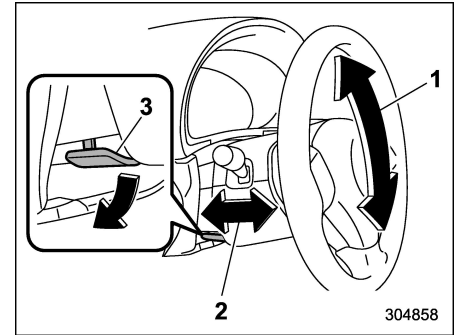


**NOTE**

- Turn on the defogger and deicer system if the wipers are frozen to the windshield.
- If the windshield is covered with snow, remove the snow so that the windshield wiper deicer works effectively.
- While the defogger and deicer system is in the continuous operation mode:
  - If the vehicle speed remains at 9 mph (15 km/h) or lower for 15 minutes, the windshield wiper deicer system automatically stops operating. However, the rear window defogger system and outside mirror defogger system maintain continuous operation in this condition.
  - If the 12 V battery voltage drops below the permissible level, continuous operation of the defogger system and deicer system is canceled and the system stops operating.

**3-17. Tilt/telescopic steering wheel****⚠ WARNING**

- Do not adjust the steering wheel tilt/telescopic position while driving. This may cause loss of vehicle control and result in personal injury.
- If the lever cannot be raised to the fixed position, adjust the steering wheel again. It is dangerous to drive without locking the steering wheel. This may cause loss of vehicle control and result in personal injury.

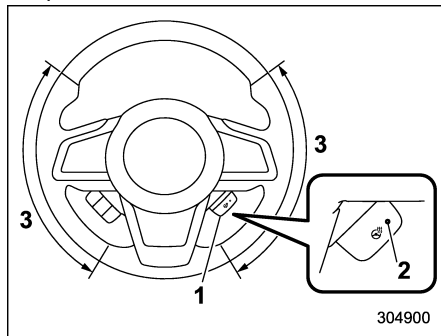


- 1) Tilt adjustment
- 2) Telescopic adjustment
- 3) Tilt/telescopic lock lever

1. Adjust the seat position. Refer to “Front seats” P73.
2. Pull the tilt/telescopic lock lever down.
3. Move the steering wheel to the desired level.
4. Pull the lever up to lock the steering wheel in place.
5. Make sure that the steering wheel is securely locked by moving it up and down, and forward and backward.

## ■ Heated Steering Wheel system (if equipped)

The Heated Steering Wheel system warms the steering wheel at a constant temperature.



- 1) Heated Steering Wheel switch
- 2) Indicator light
- 3) Heated area

To turn on the Heated Steering Wheel system, pull the Heated Steering Wheel switch when the ignition switch is in the "ON" or "ACC" position. Then the steering wheel will be warmed and the indicator light on the switch will illuminate. To turn off the Heated Steering Wheel system, pull the switch again. Then the indicator light will turn off.



### CAUTION

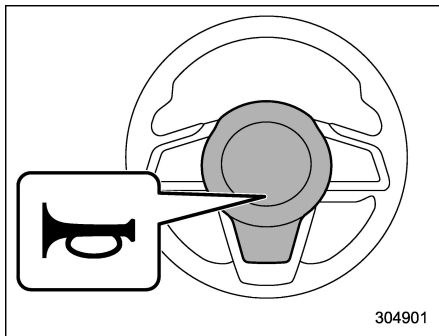
- Use the Heated Steering Wheel system with the hybrid system running. Otherwise, the 12 V battery voltage may drop below the permissible level and it may not be possible to start the hybrid system.
- There is a possibility that people with delicate skin may suffer slight burns even at low temperatures if they use the Heated Steering Wheel for a long period of time. When using the Heated Steering Wheel, always be sure to warn the persons concerned.
- Do not cover the Heated Steering Wheel with an object such as a steering wheel cover. Doing so may cause the Heated Steering Wheel to overheat.

### NOTE

- If the surface temperature of the steering wheel is approximately above 104°F (40°C) when the system is turned on, the system will not heat the steering wheel. Then, the indicator light will continue to illuminate.
- The Heated Steering Wheel system

will automatically turn off approximately 30 minutes after the system has been turned on.

### 3-18. Horn



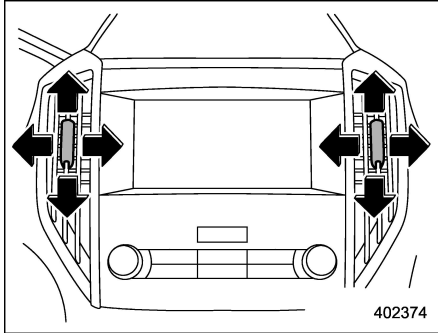
To sound the horn, push the horn pad.



<b>4-1. Ventilator control .....</b>	<b>250</b>	<b>4-6. Operating tips for heater and air conditioner.....</b>	<b>256</b>
Center ventilators .....	250	Heating .....	256
Side ventilators .....	250	Climate control system initialization .....	256
<b>4-2. Climate control panel .....</b>	<b>250</b>	Water droplets during air conditioning operation .....	257
<b>4-3. Automatic climate control operation.....</b>	<b>252</b>	Cleaning ventilation grille.....	257
Sensors.....	252	Efficient cooling after parking in direct sunlight .....	257
<b>4-4. Manual climate control operation.....</b>	<b>253</b>	Lubrication oil circulation in the refrigerant circuit .....	257
Airflow mode selection .....	253	Checking air conditioning system before summer season .....	257
MAX A/C mode .....	254	Cooling and dehumidifying in high humidity and low temperature weather conditions .....	257
Temperature control .....	254	Refrigerant for your climate control system.....	258
Fan speed control.....	255	<b>4-7. Air filtration system.....</b>	<b>258</b>
Air conditioner control.....	255	Replacing a cabin air filter.....	258
Air inlet selection .....	255		
To turn off the climate control system.....	255		
<b>4-5. Defrosting.....</b>	<b>255</b>		

## 4-1. Ventilator control

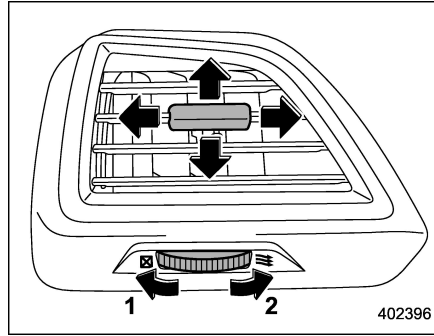
### ■ Center ventilators



#### Center ventilators

To adjust the airflow direction, move the tab. To close the ventilator, move the tab all the way down.

### ■ Side ventilators



#### Side ventilators

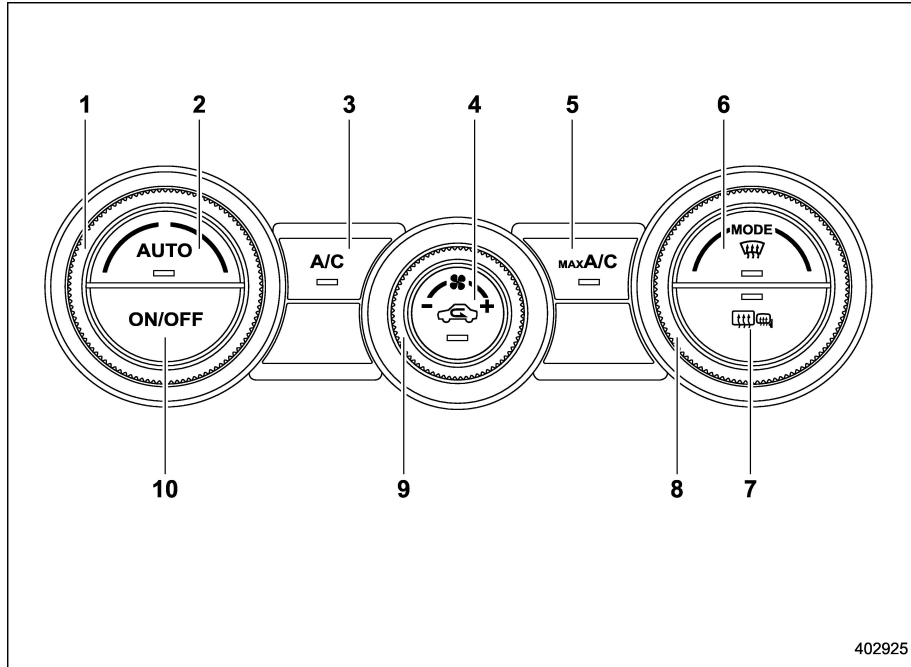
- 1) Close
- 2) Open

To adjust the flow direction, move the tab.

## 4-2. Climate control panel

### WARNING

- The cooling function operates only when the hybrid system is running.
- Do not leave children or adults who would normally require the support of others alone in your vehicle. Pets should not be left alone either. On hot, sunny days, temperatures in a closed vehicle could quickly become high enough to cause severe or possibly fatal injuries to people or animals.



- 1) Temperature control dial (Refer to “Automatic climate control operation” P252 and/or “Temperature control” P254.)
- 2) AUTO button (Refer to “Automatic climate control operation” P252.)
- 3) Air conditioner button (Refer to “Air conditioner control” P255.)
- 4) Air inlet selection button (Refer to “Air inlet selection” P255.)
- 5) MAX A/C button (Refer to “MAX A/C mode” P254.)
- 6) Defroster button (Refer to “Defrosting” P255.)
- 7) Rear window defogger button and outside mirror defogger button (Refer to “Defogger and deicer” P244.)
- 8) Airflow mode selection dial (Refer to “Airflow mode selection” P253.)
- 9) Fan speed control dial (Refer to “Fan speed control” P255.)
- 10) ON/OFF button (Refer to “Automatic climate control operation” P252.)

## NOTE

The climate control screen is displayed on the multi-function display (color LCD). Refer to “Climate control screen” P212.

### 4-3. Automatic climate control operation

When this mode is selected, the fan speed, airflow distribution, air-inlet control, and air conditioner compressor operation are automatically controlled. To activate this mode, perform the following.

1. Press the AUTO button. The indicator light "FULL AUTO" on the multi-function display (color LCD) illuminates.
2. Set the preferred temperature using the temperature control dial.

#### NOTE

- Operate the automatic climate control system when the hybrid system is running.
- Even when cooling is not necessary, the air conditioner compressor will automatically turn on if the temperature is set much lower than the current outlet air temperature. Even in this case, the "A/C" indicator light on the control panel illuminates.
- The controllable temperature range may vary depending on the regional specifications of the vehicle.
- If you operate any of the buttons on the control panel other than the ON/OFF button, rear window defogger button, and temperature control dial

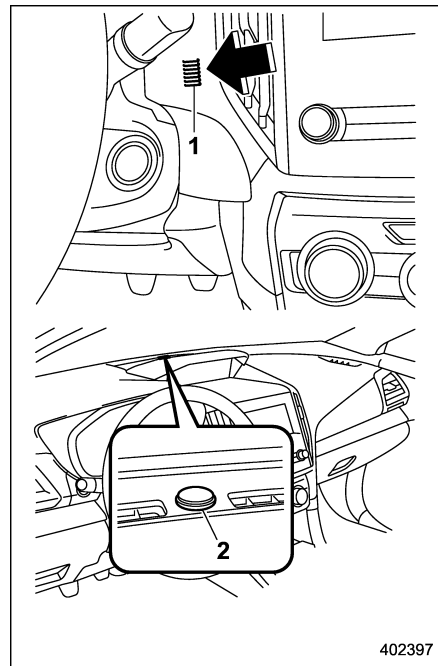
during FULL AUTO mode operation, the "FULL" indicator light on the multi-function display (color LCD) will turn off and the "AUTO" indicator light will remain illuminated. You can then manually control the system as desired using the button you operated. To change the system back to the FULL AUTO mode, press the AUTO button.

To turn off the climate control system, press the ON/OFF button. Then the air inlet selection will be set to the following.

- When the air inlet selection is set to auto mode: Outside air circulation
- When the air inlet selection is set to manual mode: No change

#### ■ Sensors

The sensors are located as follows.



- 1) Interior air temperature sensor
- 2) Solar sensor

The automatic climate control system employs several sensors. These sensors



are delicate. If they are not treated properly and become damaged, the system may not be able to control the interior temperature correctly. To avoid damaging the sensors, observe the following precautions.

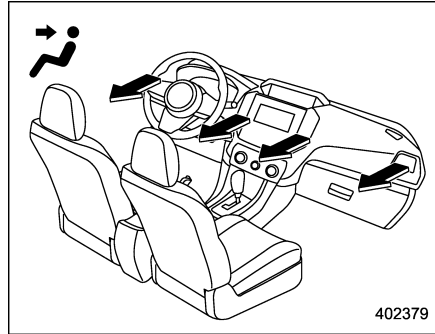
- Do not subject the sensors to impact.
- Keep water away from the sensors.
- Do not cover the sensors.

## 4-4. Manual climate control operation

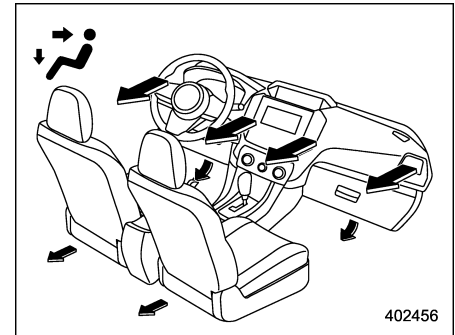
### ■ Airflow mode selection

Select the airflow mode by using the airflow mode selection dial.

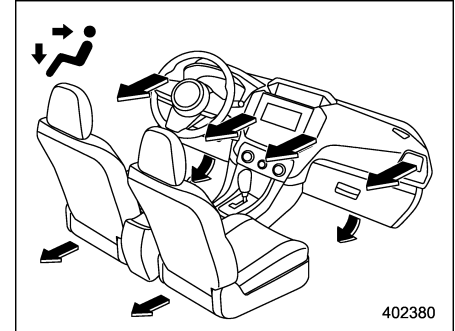
Airflow modes are as follows.



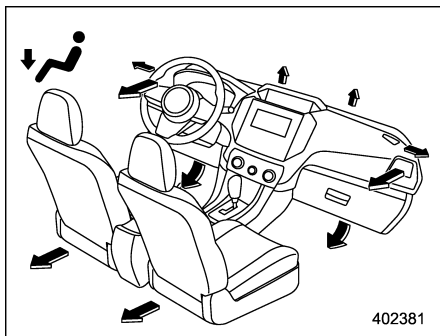
**Ventilation:** Instrument panel outlets



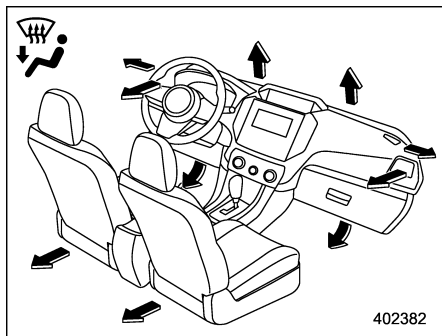
**Ventilation 2 for type B and C:** Instrument panel outlets and foot outlets



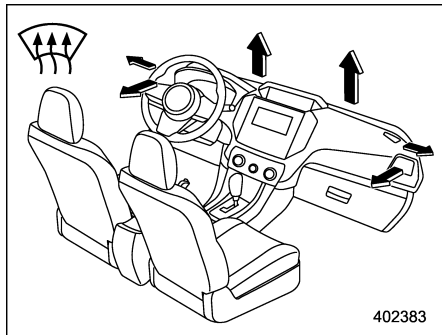
**Bi-level:** Instrument panel outlets and foot outlets



**Heat:** Foot outlets, both side outlets of the instrument panel and some through windshield defroster outlets (A small amount of air flows to the windshield and both side windows to prevent fogging.)



**Heat-def:** Windshield defroster outlets, foot outlets and both side outlets of the instrument panel (Refer to “Defrosting” P255.)



**Defrost:** Windshield defroster outlets and both side outlets of the instrument panel

(Refer to “Defrosting” P255.)

### ■ MAX A/C mode

For quicker cooling, press the MAX A/C button.

When the MAX A/C mode is on, the following settings will be changed automatically.

- The air conditioner will turn on.
- The temperature will be set on the lowest.
- The fan speed will be set on the maximum speed.
- The air inlet will be set to recirculation.
- The air flow mode setting will be set to ventilation mode.

To turn off MAX A/C mode and return the previous setting, press the MAX A/C button again.

### ■ Temperature control

Turn the temperature control dial to set the preferred interior temperature.

### NOTE

**The controllable temperature range may vary depending on the regional specifications of the vehicle.**

## ■ Fan speed control

Select the preferred fan speed by turning the fan speed control dial.

## ■ Air conditioner control

The air conditioner operates only when the hybrid system is running.

Press the air conditioner button while the fan is in operation to turn on the air conditioner. When the air conditioner is on, the "A/C" indicator light illuminates.

To turn off the air conditioner, press the button again.

## NOTE

For efficient defogging or dehumidifying in cold weather, turn on the air conditioner. If the ambient temperature decreases to approximately 32°F (0°C), the air conditioner and dehumidification system may not operate properly.

## ■ Air inlet selection

Select the air inlet by pressing the air inlet selection button.

- Recirculation mode:

When the indicator light on the air inlet selection button illuminates, interior air is recirculated inside the vehicle. Press the air inlet selection button to the ON position

for fast cooling with the air conditioner or when driving on a dusty road.

Using the recirculation mode continuously when the outside temperature is low will cause the mode to change automatically to the outside air circulation mode.

- Outside air circulation mode:

When the indicator light on the air inlet selection button does not illuminate, outside air is drawn into the passenger compartment. Press the air inlet selection button to the OFF position when the interior has cooled to a comfortable temperature and the road is no longer dusty.



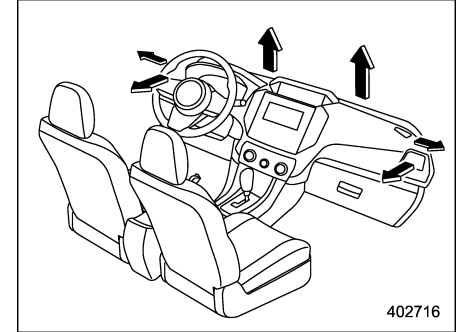
## WARNING

Continued operation in the ON position may fog up the windows. Switch to the OFF position as soon as the outside conditions are no longer dusty.

## ■ To turn off the climate control system

To turn off the climate control system, press the ON/OFF button.

## 4-5. Defrosting



Select the "W" or "D" mode to defrost or dehumidify the windshield and front door windows.

## NOTE

● When the "W" or "D" mode is selected, the air conditioner compressor operates automatically regardless of the position of the air conditioner button to defrost the windshield more quickly. However the indicator on the air conditioner button will not illuminate. At the same time, the air inlet selection is automatically set to the outside air mode.

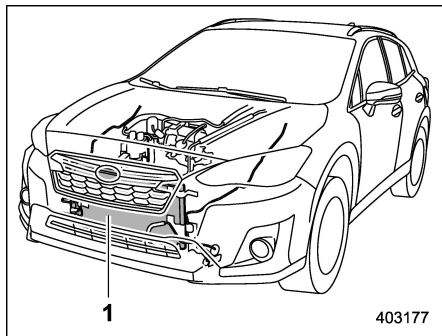
- After defrosting the windshield by pressing the defroster button "W",

pressing the button again returns the system to the setting that had been selected before the defroster was activated.

## 4-6. Operating tips for heater and air conditioner

### ■ Heating

- When driving using electronic motor, heating is done by a heat pump system.
  - When the outside temperature is low or it is snowing, compared to conventional vehicles, heating may be less effective and warm air may not come out.



1) Outside heat exchanger

- When the outside heat exchanger is frosted over, fan speed declines and it may become harder to heat the interior. However, it is not a malfunction. In this situation, the air temperature from the outlets may not change even

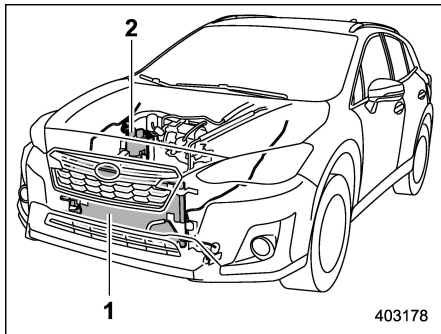
though the set temperature is raised.

- If frost has formed on the outside heat exchanger, the heating performance will decline. The frost can be removed from the outside heat exchanger by operating the remote climate control system before driving. When frosted over, the heating operation of the remote climate control system starts after defrosting.
- In the following situations, the gasoline engine may operate in order to exhaust heat from the engine coolant via the heater.
  - The outside temperature is approximately 14°F (–10°C) or lower
  - The defroster is operating

### ■ Climate control system initialization

The climate control system initialization will start automatically after installing the 12 V battery. Therefore the air will only blow for up to 20 seconds until the system is ready to blow hot air and cool air.

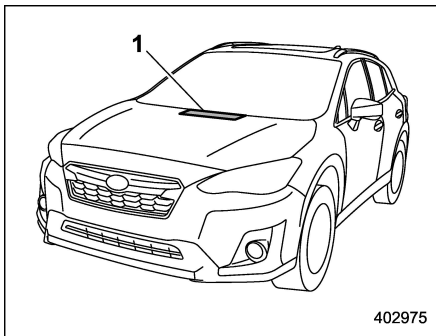
### ■ Water droplets during air conditioning operation



- 1) Outside heat exchanger
- 2) Accumulator

The outside heat exchanger, accumulator and climate control piping may incur condensation or frost may form. During or after the air conditioning operation, water droplets may fall from the vehicle. However, it is not a malfunction.

### ■ Cleaning ventilation grille



- 1) Front ventilation inlet grille

Always keep the front ventilation inlet grille free of snow, leaves, or other obstructions to ensure efficient heating and defrosting. Since the condenser is located in front of the radiator, this area should be kept clean because cooling performance is impaired by any accumulation of insects and leaves on the condenser.

### ■ Efficient cooling after parking in direct sunlight

After parking in direct sunlight, drive with the windows open for a few minutes to allow outside air to circulate into the heated interior. This results in quicker cooling by the air conditioner. Keep the

windows closed during the operation of the air conditioner for maximum cooling efficiency.

### ■ Lubrication oil circulation in the refrigerant circuit

Operate the air conditioner compressor at a low engine speed (at idle or low driving speeds) a few minutes each month during the off-season to circulate its oil.

### ■ Checking air conditioning system before summer season

Check the air conditioner unit for refrigerant leaks, hose conditions, and proper operation each spring. Have the air conditioning system checked by your SUBARU dealer.

### ■ Cooling and dehumidifying in high humidity and low temperature weather conditions

Under certain weather conditions (high relative humidity, low temperatures, etc.) a small amount of water vapor emission from the air outlets may be noticed. This condition is normal and does not indicate any problem with the air conditioning system.

## ■ Refrigerant for your climate control system

Your air conditioner uses ozone friendly refrigerant R-134a (HFC134a). Consult your SUBARU dealer for service. Repairs needed as a result of using the wrong refrigerant are not covered under warranty.

## 4-7. Air filtration system

Your vehicle's air conditioning system is equipped with an air filtration system. Replace the cabin air filter according to the replacement schedule found in the "Warranty and Maintenance Booklet". This schedule should be followed to maintain the filter's dust collection ability. Under extremely dusty conditions, the filter should be replaced more frequently. Have your filter checked or replaced by your SUBARU dealer. For replacement, use only a genuine SUBARU air filter kit.

### CAUTION

Contact your SUBARU dealer if the following occurs, even if it is not yet time to change the filter:

- Reduction of the airflow through the vents.
- The windshield gets easily fogged or misted.

### NOTE

The filter can influence the air conditioning, heating and defroster performance if not properly maintained.

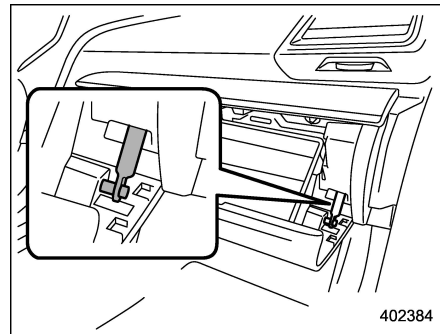
## ■ Replacing a cabin air filter

1. Remove the glove box.

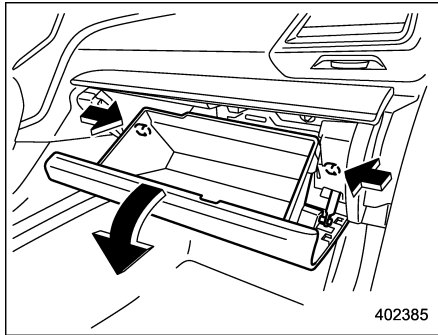
### NOTE

**We recommend that you take measures to protect the center console with masking tape first, so that you avoid scratching the center console with the glove box.**

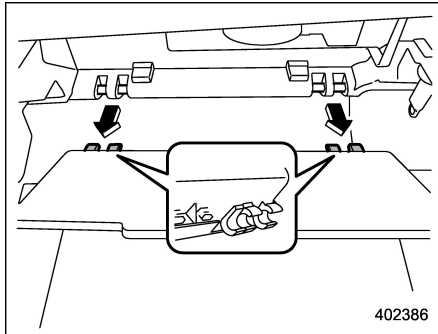
- (1) Open the glove box.



- (2) Remove the damper shaft from the glove box.

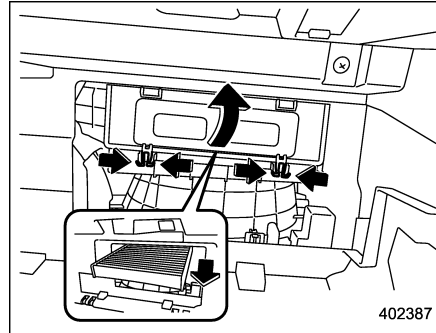


(3) Push in the stoppers located on both sides of the glove box and then pull down the glove box as far as it will go.



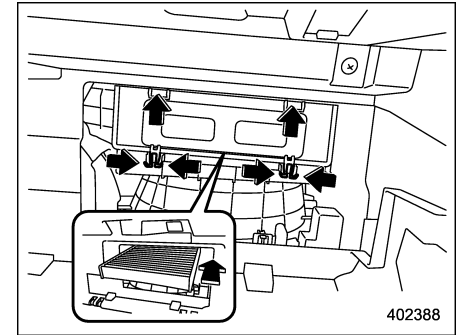
(4) Pull out the glove box horizontally and remove the hinge portion. When

doing this, be careful not to damage the hinge.



2. Remove the cabin air filter according to the following procedure in order to prevent dust on the air cleaner from falling to the inside of its housing.

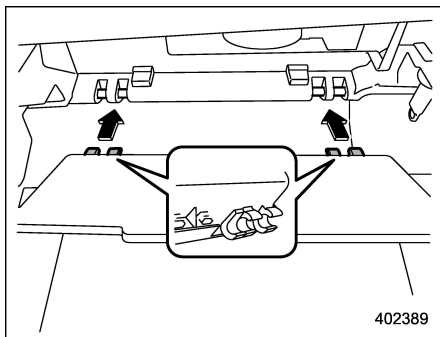
- (1) Pinch both tabs and remove the filter cover.
- (2) Gently tilt down the end of the filter and slowly pull it out 0.4 in (1 cm).
- (3) Slowly pull out the rest of the filter.



3. Replace the cabin air filter with a new one and then reinstall the cover.

**CAUTION**

The arrow mark on the filter must point UP.



4. Reinstall the glove box, and connect the damper shaft.
5. Close the glove box.

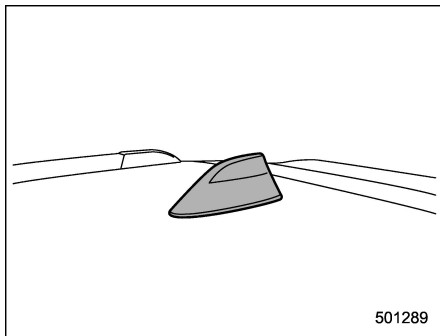


**5-1. Antenna ..... 262**

**5-2. Audio set.....262**

### 5-1. Antenna

---



The roof antenna is installed on the roof.

### 5-2. Audio set

---

If your vehicle is equipped with a genuine SUBARU navigation system or audio system, refer to the separate navigation/ audio Owner's Manual for details.

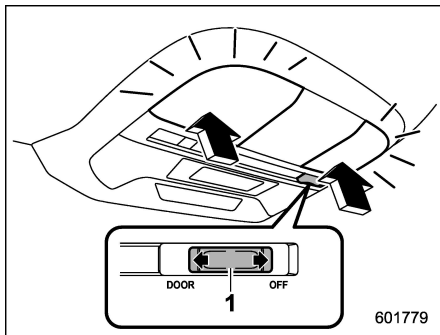
<b>6-1. Interior lights</b> .....	<b>264</b>	<b>6-4. Accessory power outlets</b> .....	<b>269</b>
Map lights .....	264	Use with a cigarette lighter (dealer option).....	270
Dome light.....	264	<b>6-5. USB power supply</b> .....	<b>271</b>
Cargo area light.....	265	How to use the USB power supply .....	271
OFF delay timer .....	265	<b>6-6. Ashtray (dealer option)</b> .....	<b>272</b>
<b>6-2. Sun visors</b> .....	<b>265</b>	<b>6-7. Floor mat</b> .....	<b>273</b>
Sun visor extension plate .....	266	<b>6-8. Assist grip</b> .....	<b>273</b>
Vanity mirror with light .....	266	<b>6-9. Coat hook</b> .....	<b>274</b>
<b>6-3. Storage compartment</b> .....	<b>267</b>	<b>6-10. Shopping bag hook</b> .....	<b>275</b>
Glove box.....	267	<b>6-11. Cargo area cover</b> .....	<b>275</b>
Center console .....	267	Using the cover.....	275
Cup holders.....	267	Stowage of the cargo area cover .....	276
Bottle holders.....	268	<b>6-12. Cargo tie-down hooks</b> .....	<b>277</b>

## 6-1. Interior lights

### CAUTION

When leaving your vehicle, make sure the lights are turned off to avoid the 12 V battery discharge.

### Map lights



1) Door interlock switch

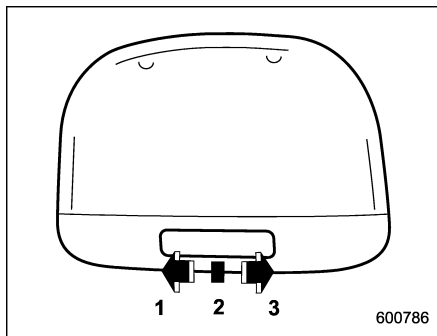
To turn on the map light, push the lens.  
To turn it off, push the lens again.

### Automatic illumination

When the door interlock switch is in the "DOOR" position, the map lights illuminate automatically in the following cases.

- Any of the doors other than the rear gate is opened.
- The doors are unlocked using the keyless access function. Refer to "Locking and unlocking by holding the access key fob" P145.
- The doors are unlocked using the remote keyless entry system. Refer to "Remote keyless entry system" P156.
- The ignition switch is turned from the "ACC" position to the "OFF" position.

### Dome light



1) ON

- 2) DOOR
- 3) OFF

The dome light switch has the following positions.

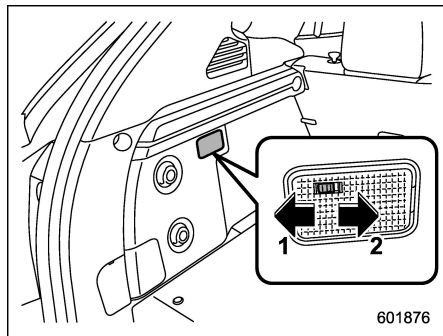
**ON:** The light remains on continuously.

**OFF:** The light remains off.

**DOOR:** The dome light illuminates automatically in the following cases.

- Any of the doors or the rear gate is opened.
- The doors or the rear gate are unlocked using the keyless access function. Refer to "Locking and unlocking by holding the access key fob" P145.
- The doors or the rear gate are unlocked using the remote keyless entry transmitter. Refer to "Remote keyless entry system" P156.
- The ignition switch is turned from the "ACC" position to the "OFF" position.

## ■ Cargo area light



- 1) DOOR
- 2) OFF

**DOOR:** The light illuminates when the rear gate is opened. The light remains illuminated for several seconds and gradually turns off after the rear gate is closed.

**OFF:** The light remains off.

## ■ OFF delay timer

The following lights have an automatic illumination function.

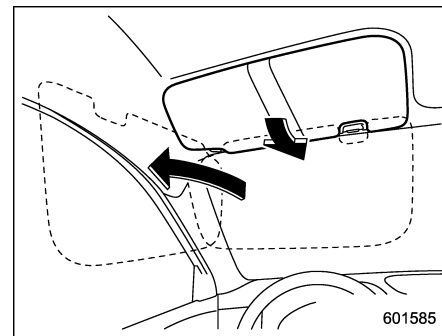
- dome light
- map light
- cargo area light

When the interior light switch is set to the "DOOR" position, the light will automatically turn on and turn off depending on the locking and unlocking of the doors, the opening and closing of the doors, as well as the position of the ignition switch.

### NOTE

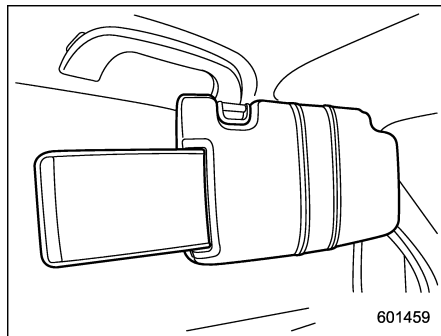
The setting for the period of time in which the lights remain on (OFF delay timer) can be changed by a SUBARU dealer. Contact your SUBARU dealer for details. The setting can also be changed by operating the combination meter display (color LCD). For details, refer to "Vehicle Setting" P208.

## 6-2. Sun visors

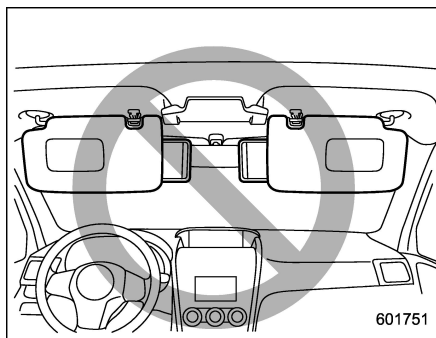


To block out glare, swing down the visors. To use the sun visor at a side window, swing it down and move it sideways.

## ■ Sun visor extension plate



With the sun visor positioned over the side window, you can use the sun visor extension plate to prevent glare through the gap between the sun visor and center pillar. To use the extension plate, pull it toward the rear of the vehicle. When you have finished using it, stow it by pushing it toward the front of the vehicle.



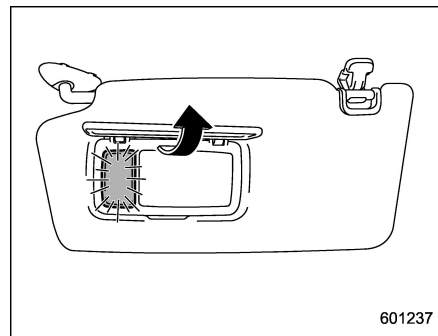
### ▲ CAUTION

**Do not pull out the extension plate with the sun visor positioned over the windshield. The extension plate would obstruct your view of the rearview mirror.**

## ■ Vanity mirror with light

### ▲ CAUTION

**Keep the vanity mirror cover closed while the car is being driven to avoid being distracted by the light.**



To use the vanity mirror, swing down the sun visor and open the vanity mirror cover. The light beside the vanity mirror illuminates when the mirror cover is opened.

### NOTE

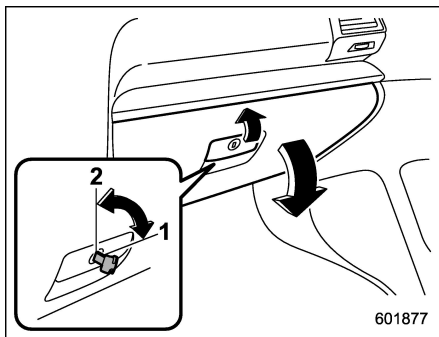
**Use of the vanity mirror light for a long period of time while the hybrid system is not running can cause the 12 V battery discharge.**

## 6-3. Storage compartment

### CAUTION

- Always keep the storage compartment closed while driving to reduce the risk of injury in the event of a sudden stop or an accident.
- Do not store spray cans, containers with flammable or corrosive liquids or any other dangerous items in the storage compartment.

### ■ Glove box



- 1) Rotate the key clockwise to lock.

- 2) Rotate the key counterclockwise to unlock.

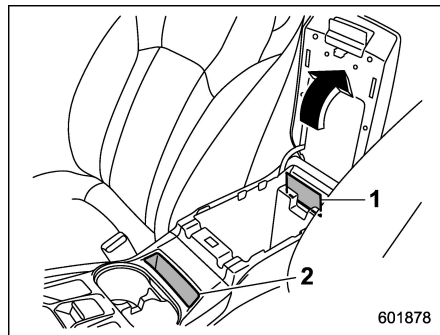
To open the glove box, pull the handle.  
To close it, push the lid firmly upward.

### NOTE

- The emergency key is directional. If the key cannot be inserted, change the direction that the grooved side is facing and insert it again.
- Use the emergency key to lock or unlock the glove box.

### ■ Center console

The center console box provides a storage space.



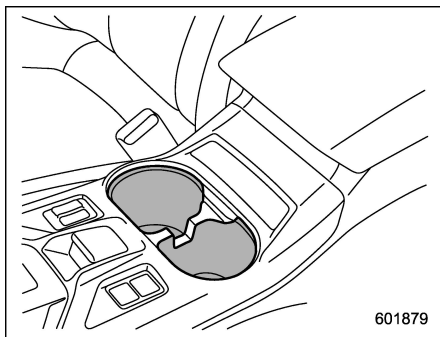
- 1) Card holder
- 2) Holder (smartphone, card, etc.)

The top of the console can be used as an armrest.

### ■ Cup holders

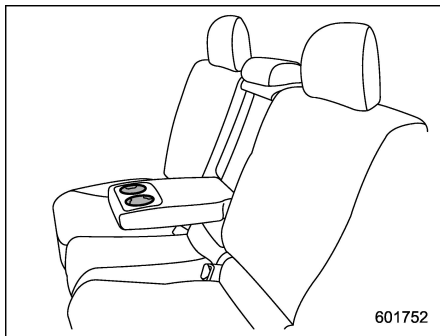
### CAUTION

- Do not pick up a cup from the cup holder or put a cup in the holder while you are driving, as this may distract you and lead to an accident.
- Take care to avoid spills. Beverages, if hot, might scald you and/or your passengers. Spilled beverages may also damage upholstery or carpets.
- When a cup in the rear passenger's cup holder contains a beverage, do not fold down the rear seatback. Otherwise, the beverage could spill and, if the beverage is hot, it could scald you and/or your passengers.



**Front passenger's cup holder**

A dual cup holder is built into the center console.



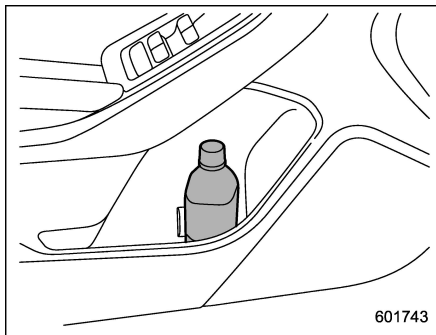
**Rear passenger's cup holder**

A dual cup holder is built into the armrest.

## ■ Bottle holders

### CAUTION

- Do not pick up a bottle from the bottle holder or put a bottle in the holder while you are driving, as this may distract you and lead to an accident.
- When placing a beverage in a bottle holder, make sure it is capped. Otherwise, the beverage could spill when opening/closing the door or while driving and, if the beverage is hot, it could scald you and/or your passengers.



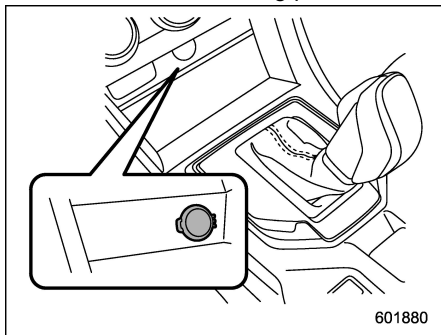
The bottle holder equipped on each door trim can be used to hold beverage bottles

and other items.

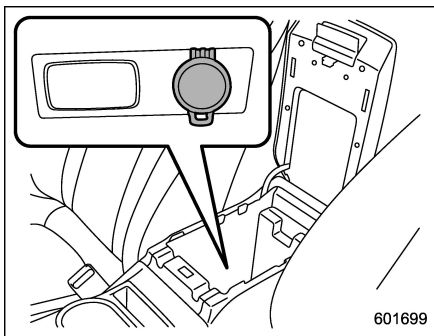


## 6-4. Accessory power outlets

Electrical power (12 V DC) is available at any of the accessory power outlets when the ignition switch is in either the “ACC” or “ON” position. Accessory power outlets are located in the following places.



Power outlet below the climate control dials



Power outlet in the center console

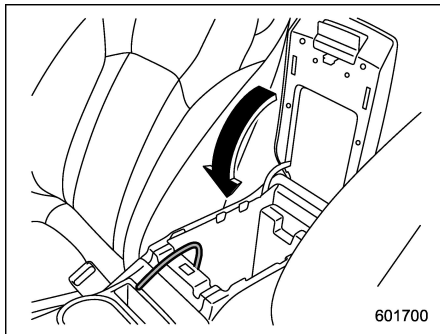
You can use an in-vehicle electrical appliance by connecting it to an outlet. The maximum power rating of an appliance that can be connected is **120 W**.

### ⚠ CAUTION

- Do not attempt to use a cigarette lighter in the accessory power outlets.
- Do not place any foreign objects, especially metal ones such as coins or aluminum foil, into the accessory power outlet. That could cause a short circuit. Always put the cap on the accessory power outlet when it is not in use.

- Use only electrical appliances which are designed for 12 V DC. The maximum power rating of an appliance that can be connected is 120 W. Do not use an appliance which exceeds the indicated wattage for each outlet.
- When using appliances connected to two outlets simultaneously, the total power consumed by them must not exceed 120 W. Overloading the accessory power outlet can cause a short circuit. Do not use double adapters or more than one electrical appliance.
- If the plug on your electric appliance is either too loose or too tight for the accessory power outlet, this can result in a poor contact or cause the plug to get stuck. Only use plugs that fit properly.
- Use of an electric appliance in the accessory power outlet for a long period of time while the hybrid system is not running can cause the 12 V battery discharge.
- Before driving your vehicle, make sure that the plug and the cord on your electrical appliance will not

interfere with your shifting gears and operating the accelerator and brake pedals. If they do, do not use the electrical appliance while driving.



#### NOTE

When the lid of the center console is closed, an opening remains between the center console and the lid to allow the power outlet in the center console to be used. Pass the cord of the electrical appliance through this opening.

#### ■ Use with a cigarette lighter (dealer option)

To use the accessory power outlet as a cigarette lighter socket, purchase the cigarette lighter plug, which is an optional accessory. A cigarette lighter plug is available from your SUBARU dealer.

The cigarette lighter operates only when the ignition switch is in the "ON" or "ACC" position.

To use the cigarette lighter, push in the knob and wait a few moments. It will automatically spring up when ready for use.



#### WARNING

To avoid being burned, never grasp the lighter by the end with the heating element. Doing so could result in injury and could also damage the heating element.



#### CAUTION

- Do not hold the lighter pushed in, because it will overheat.
- The electrical power socket is originally designed to use a genuine SUBARU cigarette lighter plug. Do not use a non-genuine

cigarette lighter plug in the socket. Doing so may cause a short-circuit and overheating, resulting in a fire.

- If the socket is ever used for a plug-in accessory such as a cell phone, that may damage the portion of the socket's internal mechanism that causes a cigarette lighter plug to "pop out" after its lighter element is heated. Therefore, do not place a cigarette lighter plug in a socket that has been used, even once, to power a plug-in accessory. Doing so may cause the plug to stick and overheat, creating a potential fire hazard.

## 6-5. USB power supply

### CAUTION

- The specification of a USB terminal that can be used is the A-type. If a different specification of terminal is connected, power supply or charging may not be possible, or the device may malfunction.
- There is a risk that a connected device may malfunction or data may be damaged. The connection of a device shall be performed at your responsibility.
- To avoid an electric shock or a malfunction, observe the following precautions.
  - Do not connect a USB hub.
  - Do not insert any metal or other foreign object into the USB terminal.
  - Do not spill water or other liquid on the USB terminal.
- Be careful not to pull the connected cable. Doing so could break the USB terminal and the connected device.
- If a device is connected for a long

time when the engine is not running, doing so may cause the risk of a discharged battery. Even when the engine is running, we recommend that you do not connect a device for an unnecessarily long time.

- Do not connect a malfunctioning device. Doing so may cause the risk of smoke and fire.

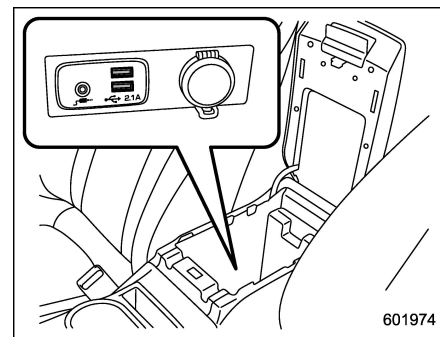
### NOTE

- The rated voltage of each USB terminal is 5 V. For details about a maximum rated power, refer to “How to use the USB power supply” P271. Before connecting a device, be sure to read the instruction manual of the device and check whether or not this specification of the output is supported by the device. If a device that requires power exceeding the maximum rating is connected, power supply or charging may not be possible. Even if charging could be completed, the time required for charging may be longer than when the genuine charger for that device is used.
  - Depending on the device, charging may be possible only when a special cable is used. In this case, be sure to

connect the device using the special cable.

- When a device that communicates with a PC is connected, power supply or charging may not be possible.
- When connect a device for charging, disconnect the device promptly after charging is completed.

### How to use the USB power supply




Console USB power supply (power supply function only)

When the ignition switch is in the “ACC” or “ON” position and a USB electronic device is connected to the USB terminal, 5 V DC power can be supplied to the device. Use the USB terminal to use or charge an electronic device.

When using the terminal, open the USB power supply cover. After use, close the USB power supply cover.

**NOTE**

The maximum rated power charges depending on the number of the terminal.

Number of USB terminal	Maximum rated power
	DC 5 V/2.1 A*

\*: The available electricity of the two USB terminals is a maximum of 4.2 A.

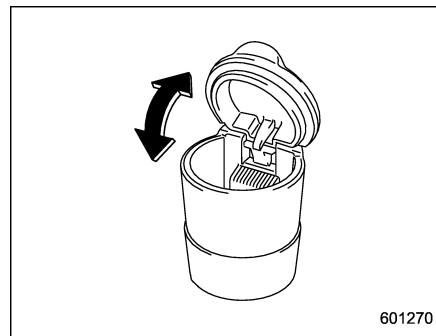
**6-6. Ashtray (dealer option)**

 **CAUTION**

- Do not use ashtrays as waste receptacles or leave a lighted cigarette in an ashtray. This could cause a fire.
- Always extinguish matches and cigarettes before putting them into the ashtray, and then close the ashtray securely. If you keep the ashtray open, the fire of the cigarette may spread to another cigarette butt and start a fire.
- Do not put flammable material in the ashtray.
- Do not leave a lot of cigarette butts in the ashtray.

**NOTE**

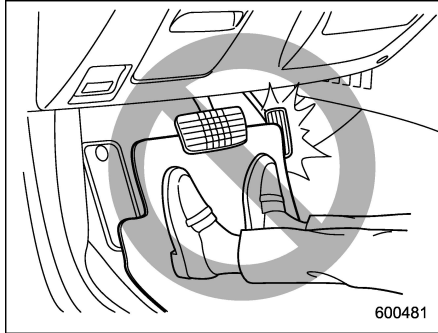
Particles of ash and tobacco will accumulate around the hinges of the ashtray's inner lid. Clean them off using a toothbrush or a similar narrow-ended implement.



The portable ashtray can be installed in each cup holder or bottle holder. For the locations of the cup holders, refer to “Cup holders” P267. For the locations of the bottle holders, refer to “Bottle holders” P268.

When using the ashtray, open the lid of the ashtray. Fully close the lid after using the ashtray to help reduce residual smoke.

## 6-7. Floor mat



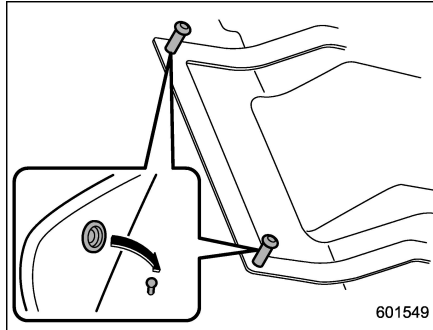
600481

### ⚠ CAUTION

If the floor mat slips forward and interferes with the movement of the pedals during driving, it could cause an accident. Observe the following precautions to prevent the floor mat from slipping forward.

- Be sure to use a genuine SUBARU floor mat or an equivalent designed with grommets in the correct locations.
- Make sure that the driver's floor mat is placed in its proper location and is correctly secured on its retaining pins.

- Do not use more than one floor mat.

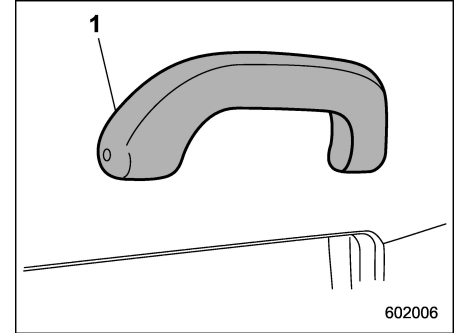


601549

Retaining pins are located on the driver's side floor.

The floor mat should be properly secured using the built-in grommets, by placing the grommets over the pins and pushing them downward.

## 6-8. Assist grip



602006

- 1) Assist grip

The assist grip is to be held to support the body of the passengers when they are in the seat and the vehicle is moving.

### ⚠ WARNING

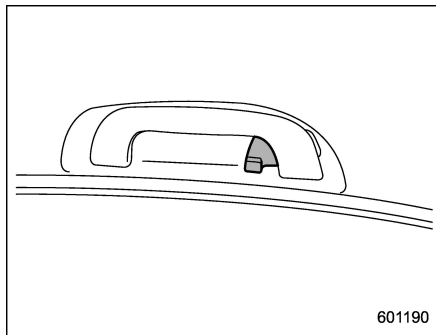
Do not hold the assist grip when getting up from the seat. Holding and pulling the assist grip in the wrong way could break the grip and possibly cause injury.

### ⚠ CAUTION

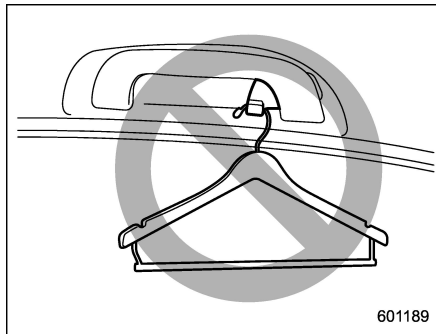
Do not attach heavy objects to the assist grip. Doing so could break it

and damage the object.

## 6-9. Coat hook



A coat hook is attached to the rear passenger's assist grip.



### **WARNING**

Obey the following instructions.

- Do not hang coat hangers or other hard or pointed objects on the coat hooks. Hang clothing directly on the coat hooks without using hangers.
- Before hanging clothing on the coat hooks, make sure there are no pointed objects in the pockets.

If these instructions are ignored, the following may occur in sudden stops or in a collision.

- serious injuries by the items thrown through the cabin.
- incorrect SRS curtain airbag deployment

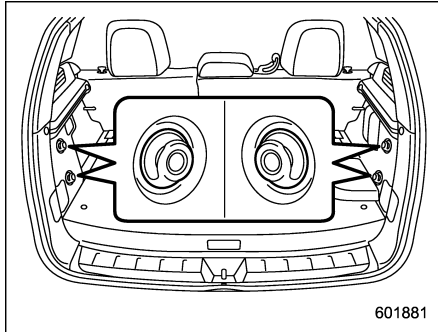
### **CAUTION**

Never hang anything on the coat hook that might obstruct the driver's view or that could cause injury in sudden stops or in a collision. And do not hang items on the coat hook that weigh 11 lbs (5 kg) or more.

## 6-10. Shopping bag hook

### CAUTION

Do not hang items on the shopping bag hook that weigh 6 lbs (3 kg) or more.



A shopping bag hook is attached to each side of the cargo area.

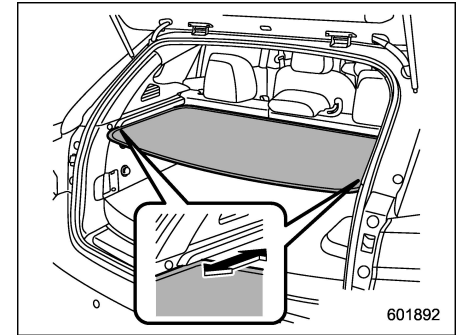
## 6-11. Cargo area cover

The cargo area cover is provided for covering the cargo area and to protect its contents from direct sunlight. This cover is detachable to make room for additional cargo.

### ■ Using the cover

### WARNING

Do not place anything on the cover. Putting excessive weight on the cover can break it and an object on the cover could tumble forward in the event of a sudden stop or collision. This could cause serious injury.

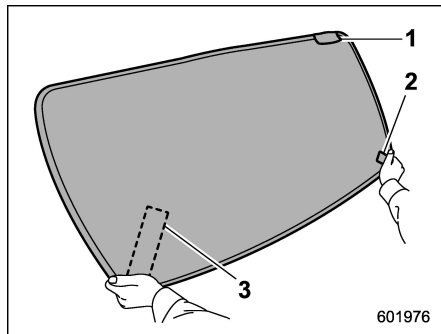


Insert both ends of the cargo area cover aligned with the guides.  
To remove the cover housing, pull out the cover.

### NOTE

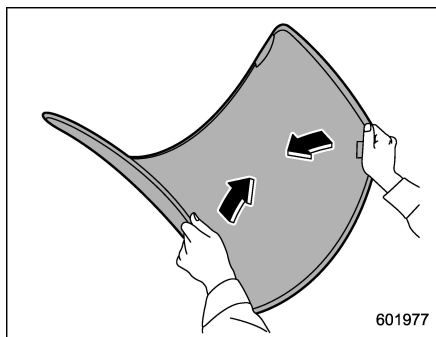
Do not place any material on top of the cargo area cover. Doing so could cause it to fall off.

## ■ Stowage of the cargo area cover

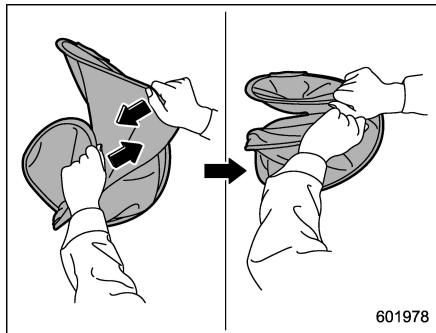


- 1) Label
- 2) Fastener strip (short)
- 3) Fastener strip (long)

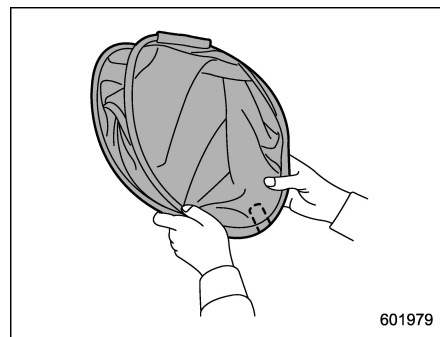
1. Hold the cargo area cover by the lower ends with the label on the right top corner. Make sure that the longer fastener strip is on the back side and the shorter strip tape is on the front side.



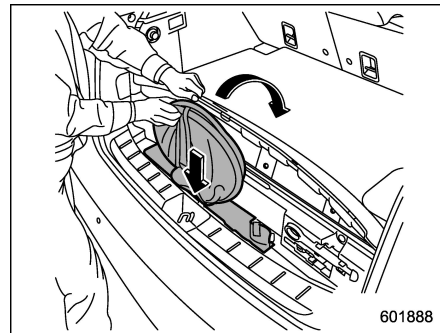
2. Bend the cargo area cover ends together.



3. Twist the left hand under the right hand.



4. Secure the cargo area cover with the fastener strip.



5. Store the cargo area cover in the sub-trunk.

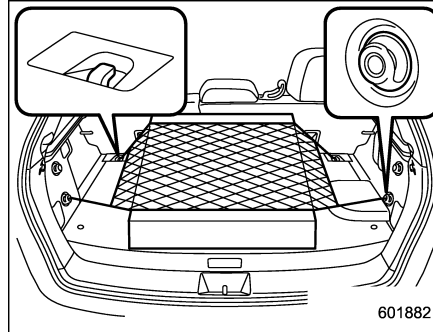


**CAUTION**

- If the cargo area cover is not fixed securely, it will open suddenly and may cause injury.
- When the cargo area cover needs to be opened for use, make sure there are no people or cargo around.

**NOTE**

Hold at the two corners with the fastener strips and expand the cargo area cover safely.

**6-12. Cargo tie-down hooks**

The cargo area is equipped with several tie-down hooks so that cargo can be secured with a cargo net or ropes.

When using the front tie-down hooks, turn them down out of the storing recesses.

**CAUTION**

The cargo tie-down hooks are designed only for securing light cargo. Never try to secure cargo that exceeds the capacity of the hooks. The maximum load capacity is 6 lbs (3 kg) per hook.



7-1. Fuel .....	281	Brake system .....	298
Fuel requirements.....	281	Disc brake pad wear warning indicators .....	299
Fuel filler door and cap.....	282	7-9. ABS (Anti-lock Brake System) .....	300
7-2. State emission testing (U.S. only).....	285	ABS self-check .....	300
7-3. Preparing to drive.....	287	ABS warning light .....	300
7-4. Starting and stopping the hybrid system .....	287	7-10. Electronic Brake Force Distribution (EBD) system.....	301
General precautions when starting/stopping the hybrid system.....	287	Steps to take if EBD system malfunctions .....	301
Safety precautions for “keyless access with push-button start system” .....	288	7-11. Vehicle Dynamics Control system .....	302
Operating range for push-button start system .....	288	Safety precautions .....	302
Starting the hybrid system.....	288	System features .....	303
Stopping the hybrid system .....	290	Vehicle Dynamics Control system monitor.....	303
Automatic shut down.....	291	Vehicle Dynamics Control OFF switch .....	304
When access key fob does not operate properly.....	291	7-12. X-MODE .....	305
7-5. Continuously variable transmission .....	291	To activate/deactivate the X-MODE .....	306
Continuously variable transmission features .....	292	Hill descent control function .....	307
Select lever .....	292	7-13. Tire pressure monitoring system (TPMS) .....	308
Selection of “B”.....	293	7-14. Parking your vehicle .....	310
Shift lock function .....	294	Electronic parking brake .....	310
Driving tips.....	295	Parking tips .....	314
7-6. SI-DRIVE .....	295	7-15. BSD/RCTA .....	314
Intelligent (I) mode.....	295	System features .....	315
Sport (S) mode .....	296	System operation.....	317
SI-DRIVE switches .....	296	BSD/RCTA approach indicator light/warning buzzer.....	318
7-7. Power steering.....	297	BSD/RCTA OFF indicator.....	320
Power steering system features .....	297	BSD/RCTA warning indicator .....	321
7-8. Braking .....	298	BSD/RCTA OFF switch .....	321
Braking tips.....	298	Certification for the BSD/RCTA .....	322
		Handling of radar sensors .....	322

<b>7-16. Reverse Automatic Braking System .....</b>	<b>323</b>
Reverse Automatic Braking System overview.....	323
Operating conditions .....	325
Reverse Automatic Braking System operation.....	327
Canceling the Reverse Automatic Braking system operation.....	330

<b>Reverse Automatic Braking system ON/OFF setting .....</b>	<b>330</b>
<b>RAB warning indicator .....</b>	<b>332</b>
<b>Handling of the sonar sensors .....</b>	<b>332</b>

## 7-1. Fuel

### CAUTION

- Use of a fuel which is low in quality or use of an inappropriate fuel additive may cause damage to the engine and/or fuel system.
- Some gas stations, particularly those in high altitude areas, offer fuels posted as regular octane gasoline with an octane rating below 87. Use of those fuels are not recommended.

### ■ Fuel requirements

The engine is designed to operate using **unleaded gasoline** with an octane rating of **87 AKI (90 RON) or higher**.

#### ▼ Fuel octane rating

Using a gasoline with a lower octane rating can cause persistent and heavy knocking, which can damage the engine. Do not be concerned if your vehicle sometimes knocks lightly when you drive up a hill or when you accelerate. Contact your SUBARU dealer if you use a fuel with the specified octane rating and your vehicle knocks heavily or persistently.

#### ▽ RON

This octane rating is the Research Octane Number.

#### ▽ AKI

This octane rating is the average of the Research Octane and Motor Octane numbers and is commonly referred to as the Anti Knock Index (AKI).

#### ▼ Unleaded gasoline

The neck of the fuel filler pipe is designed to accept only an unleaded gasoline filler nozzle. Under no circumstances should leaded gasoline be used because it will damage the emission control system and may impair driveability and fuel economy.

#### ▼ Reformulated gasoline

SUBARU supports the use of reformulated gasoline when available. Reformulated gasoline has been blended to burn more cleanly and reduce vehicle emissions.

#### ▼ MMT

Some gasoline contains an octane-enhancing additive called MMT (Methylcyclopentadienyl Manganese Tricarbonyl). If you use such fuels, your emission control system performance may deteriorate and the CHECK ENGINE warning light/Malfunction indicator light may turn on. If this happens, return to your authorized

SUBARU Dealer for service. If it is determined that the condition is caused by the type of fuel used, repairs may not be covered by your warranty.

#### ▼ Gasoline for cleaner air

Your use of gasoline with detergent additives will help prevent deposits from forming in your engine and fuel system. This helps keep your engine in tune and your emission control system working properly, and is a way of doing your part for cleaner air. If you continuously use a high quality fuel with the proper detergent and other additives, you should never need to add any fuel system cleaning agents to your fuel tank.

Many gasolines are now blended with materials called oxygenates. Use of these fuels can also help keep the air cleaner. Oxygenated blend fuels, such as ethanol (ethyl or grain alcohol) may be used in your vehicle, but should contain no more than 15% ethanol for the proper operation of your SUBARU.

Do not use any gasoline that contains more than 15% ethanol, including from any pump labeled E30, E50 or E85 (which are only some examples of fuel containing more than 15% ethanol).

In addition, some gasoline suppliers are

now producing reformulated gasolines, which are designed to reduce vehicle emissions. SUBARU approves the use of reformulated gasoline.

If you are not sure what the fuel contains, you should ask your service station operators if their gasolines contain detergents and oxygenates and if they have been reformulated to reduce vehicle emissions.

As additional guidance, only use fuels suited for your vehicle as explained in the following description.

- Fuel should be unleaded and have an octane rating no lower than that specified in this manual.
- Methanol (methyl or wood alcohol) is sometimes mixed with unleaded gasoline. Methanol can be used in your vehicle **ONLY** if it does not exceed 5% of the fuel mixture **AND** if it is accompanied by sufficient quantities of the proper cosolvents and corrosion inhibitors required to prevent damage to the fuel system. Do not use fuel containing methanol **EXCEPT** under these conditions.
- If undesirable driveability problems are experienced and you suspect they may be fuel related, try a different brand of gasoline before seeking service at your SUBARU dealer.

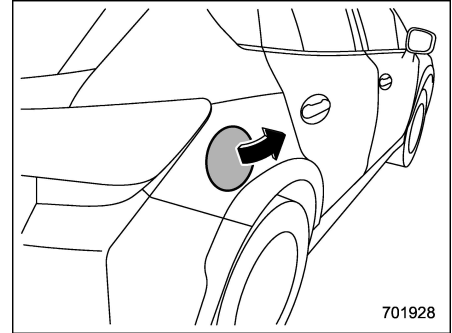
- Fuel system damage or driveability problems which result from the use of improper fuel are not covered under the SUBARU Limited Warranty.

**CAUTION**

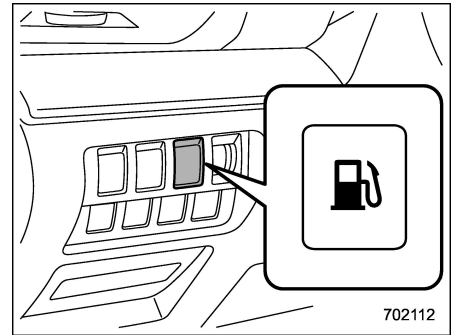
**Do not let fuel spill on the exterior surfaces of the vehicle. Because fuel may damage the paint, be sure to wipe off any spilled fuel quickly. Paint damage caused by spilled fuel is not covered under the SUBARU Limited Warranty.**

## ■ Fuel filler door and cap

### ▼ Locations of the fuel filler door and the door release switch



Fuel filler door



Fuel door release switch

▼ Refueling

Only one person should be involved in refueling. Do not allow others to approach the area of the vehicle near the fuel filler pipe while refueling is in progress.

Be sure to observe any other precautions that are posted at the service station.

1. Stop the vehicle and turn the ignition switch to the “OFF” position and turn off all the other electrical components.
2. To open the fuel filler door, push the fuel door release switch on the instrument panel.

When the switch is pressed, a message is displayed on the combination meter (color LCD).

**NOTE**

- The fuel filler door opens several seconds or up to approximately 10 seconds after the switch was pressed.
- In the following circumstances, the fuel filler door cannot be opened even when the switch is pressed.
  - While the vehicle is driving
  - When the select lever is not in the “P” position.
  - When there is a malfunction in the fuel system
- If there is a malfunction in the fuel system or other systems, and the fuel

filler door cannot be opened, refer to “Fuel door – if the fuel door cannot be opened” P386.

- If one of the following occurs when the Hybrid READY indicator illuminates, “Unable to refuel” will be shown on the combination meter (color LCD) and refueling will not be possible.
  - Vehicle speed is 1 mph (2 km/h) or more.
  - Select lever is in a position other than the “P” position.

If the error message does not turn off, consult a SUBARU dealer.

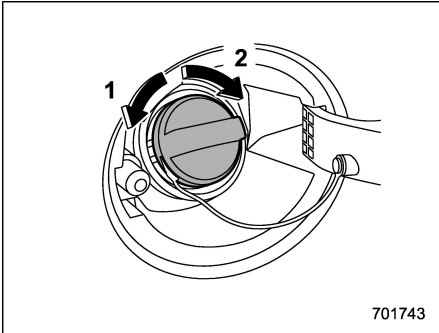
- Complete fueling within 30 minutes after pressing the fuel door release switch. When 30 minutes have passed, the vehicle auto stop function activates and fuel cannot be added to the tank. If this occurs, press the fuel door release switch again.

**WARNING**

- Before opening the fuel filler cap, first touch the vehicle body or a metal portion of the fuel pump or similar object to discharge any static electricity that may be present on your body. If your body is carrying an electrostatic charge,

there is a possibility that an electric spark could ignite the fuel, which could burn you. To avoid acquiring a new static electric charge, do not get back into the vehicle while refueling is in progress.

- Do not charge the vehicle while fueling it.



701743

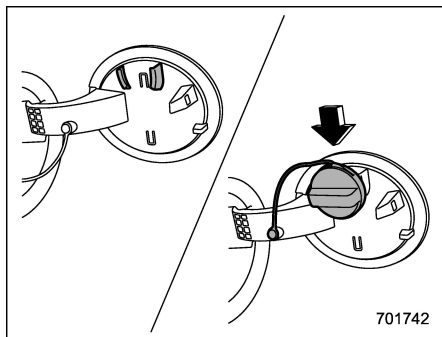
- 1) Open
  - 2) Close
3. Remove the fuel filler cap by turning it slowly counterclockwise.

**WARNING**

- Gasoline vapor is highly flammable. Before refueling, always

turn the ignition switch to the "OFF" position first and then close all vehicle doors and windows. Make sure that there are no lighted cigarettes, open flames or electrical sparks in the adjacent area. Only handle fuel outdoors. Quickly wipe up any spilled fuel.

- When opening the cap, grasp it firmly and turn it slowly to the left. Do not remove the cap quickly. Fuel may be under pressure and spray out of the fuel filler neck, especially in hot weather. If you hear a hissing sound while you are removing the cap, wait for the sound to stop and then slowly open the cap to prevent fuel from spraying out and creating a fire hazard.



4. Set the fuel filler cap on the cap holder inside the fuel filler door.

**WARNING**

- When refueling, insert the fuel nozzle securely into the fuel filler pipe. If the nozzle is lifted or not fully inserted, its automatic stopping mechanism may not function, causing fuel to overflow the tank and creating a fire hazard.

- Stop refueling when the automatic stop mechanism on the fuel nozzle activates. If you continue to add fuel, temperature changes or other conditions may cause fuel to overflow from the tank and create a fire hazard.

5. Stop filling the tank after the fuel filler pump automatically stops. Do not add any more fuel.

6. Put the cap back on, turn it clockwise until you hear a clicking noise. Be certain not to catch the tether under the cap while tightening.

**CAUTION**

Make sure that the cap is tightened until it clicks to prevent fuel spillage in the event of an accident.




7. Close the fuel filler door completely.

**CAUTION**

If you spill any fuel on the painted surface, rinse it off immediately. Otherwise, the painted surface could be damaged.



**NOTE**

- You will see the “▶” sign in the fuel gauge. This indicates that the fuel filler door is located on the right side of the vehicle.
- If the fuel filler cap is not tightened until it clicks or if the tether is caught under the cap, the CHECK ENGINE warning light/malfunction indicator light may illuminate. Refer to “CHECK ENGINE warning light/Malfunction indicator light”  P184.
- If the fuel filler door is not securely closed, a message is displayed on the combination meter (color LCD) and the CHECK ENGINE warning light/malfunction indicator light may illuminate. Refer to “CHECK ENGINE warning light/Malfunction indicator light”  P184.

** CAUTION**

- Never add any cleaning agents to the fuel tank. The addition of a cleaning agent may cause damage to the fuel system.
- After refueling, turn the cap to the right until it clicks to ensure that it is fully tightened. If the cap is not securely tightened, fuel may leak out while the vehicle is being

driven or fuel spillage could occur in the event of an accident, creating a fire hazard.

- Do not let fuel spill on the exterior surfaces of the vehicle. Because fuel may damage the paint, be sure to wipe off any spilled fuel quickly. Paint damage caused by spilled fuel is not covered under the SUBARU Limited Warranty.
- Always use a genuine SUBARU fuel filler cap. If you use the wrong cap, it may not fit or have proper venting and your fuel tank and emission control system may be damaged. It could also lead to fuel spillage and a fire.
- Immediately put fuel in the tank whenever the low fuel warning light illuminates. Engine misfires as a result of an empty tank could cause damage to the engine. Continuing to operate your vehicle at an extremely low fuel level may result in a reduction of engine performance.

**7-2. State emission testing (U.S. only)**** WARNING**

Only use a four-wheel dynamometer when testing an All-Wheel Drive (AWD) model.

Testing of an AWD model must NEVER be performed on a single two-wheel dynamometer. Attempting to do so will result in uncontrolled vehicle movement and may cause an accident or injuries to persons nearby.

** CAUTION**

- At state inspection time, remember to tell your inspection or service station in advance not to place your SUBARU AWD vehicle on a two-wheel dynamometer. Otherwise, serious transmission damage will result.
- Resultant vehicle damage due to improper testing is not covered under the SUBARU Limited Warranty and is the responsibility of the state inspection program or

<b>its contractors or licensees.</b>
--------------------------------------

California and a number of federal states have Inspection/Maintenance programs to inspect your vehicle's emission control system. If your vehicle does not pass this test, some states may deny renewal of your vehicle's registration.

Your vehicle is equipped with a computer that monitors the performance of the engine's emission control system. Certified emission inspectors will inspect the On-Board Diagnostic (OBDII) system as part of the state emission inspection process. The OBDII system is designed to detect engine and transmission problems that might cause the vehicle emissions to exceed allowable limits. OBDII inspections apply to all 1996 model year and newer passenger cars and trucks. Over 30 states plus the District of Columbia have implemented emission inspection of the OBDII system.

- The inspection of the OBDII system consists of a visual operational check of the **"CHECK ENGINE"** warning light/malfunction indicator light (MIL) and an examination of the OBDII system with an electronic scan tool.
- A vehicle passes the OBDII system inspection if proper operation of the **"CHECK ENGINE"** warning light is ob-

served, there are no stored diagnostic trouble codes, and the OBDII readiness monitors are all complete.

- A vehicle fails the OBDII inspection if the **"CHECK ENGINE"** warning light is not properly operating (light is illuminated or is not working due to faulty LED [Light Emitting Diode]) or there is one or more diagnostic trouble codes stored in the vehicle's computer.
- A state emission inspection may reject (not pass or fail) a vehicle if the number of OBDII system readiness monitors **"NOT READY"** is greater than one. If the vehicle's battery has been recently replaced or disconnected, the OBDII system inspection may indicate that the vehicle is not ready for the emission test. Under this condition, the vehicle driver should be instructed to drive his/her vehicle for a few days to reset the readiness monitors and return for an emission re-inspection.
- Owners of rejected or failing vehicles should contact their SUBARU Dealer for service.

Some states still use dynamometers in their emission inspection program. A dynamometer is a treadmill or roller-like testing device that allows your vehicle's wheels to turn while the vehicle remains in one place. Prior to your vehicle being put

on a dynamometer, tell your emission inspector not to place your SUBARU AWD vehicle on a two-wheel dynamometer. **Otherwise, serious transmission damage will result.**

The U.S. Environmental Protection Agency (EPA) and states using two-wheel dynamometers in their emission testing program have EXEMPTED SUBARU AWD vehicles from the portion of the testing program that involves a two-wheel dynamometer. There are some states that use four-wheel dynamometers in their testing program. When properly used, this equipment should not damage a SUBARU AWD vehicle.

Under no circumstances should the rear wheels be jacked off the ground, nor should the driveshaft be disconnected in an attempt to bypass AWD for state emission testing. An AWD vehicle must be tested using an AWD dynamometer with all 4 wheels driven and loaded.

### 7-3. Preparing to drive

You should perform the following checks and adjustments every day before you start driving.

1. Check that all windows, mirrors, and lights are clean and unobstructed.
2. Check the appearance and condition of the tires. Also check tires for proper inflation.
3. Look under the vehicle for any sign of leaks.
4. Check that no small animals enter the engine compartment.
5. Check that the engine hood and rear gate are fully closed.
6. Check the adjustment of the seat.
7. Check the adjustment of the inside and outside mirrors.
8. Fasten your seatbelt. Check that your passengers have fastened their seatbelts.
9. Check the operation of the warning and indicator lights when the ignition switch is turned to the "ON" position.
10. Check the gauges, indicator and warning lights after starting the hybrid system.



**CAUTION**

Trapping small animals in the cool-

ing fan and belts of the engine may result in a malfunction. Check that no small animal enters the engine compartment and under the vehicle before starting the hybrid system.

**NOTE**

- Engine oil, engine coolant, brake fluid, washer fluid and other fluid levels should be checked daily, weekly or at fuel stops.
- When towing a trailer, refer to "Trailer hitch (dealer option)" P350

### 7-4. Starting and stopping the hybrid system

■ General precautions when starting/stopping the hybrid system



**WARNING**

- Never start the hybrid system from outside the vehicle. It may result in an accident.
- Do not leave the hybrid system running in locations with poor ventilation, such as a garage and indoors. The exhaust gas may enter the vehicle or indoors, and it may result in carbon monoxide poisoning.
- Do not start the hybrid system near dry foliage, paper, or other flammable substances. The exhaust pipe and exhaust emissions can create a fire hazard at high temperatures.



**CAUTION**

- If the hybrid system is stopped during driving, the catalyst may overheat and burn.

- When starting the hybrid system, be sure to sit in the driver's seat.

## NOTE

- Avoid rapid racing and rapid acceleration immediately after the hybrid system has started.
- When the hybrid system activates, the engine speed may be maintained at a high speed for an instant. When the warm-up is completed, the engine speed lowers automatically.
- On rare occasions, it may be difficult to start the engine depending on the fuel and the usage condition (repeated driving of a distance in which the engine has not warmed up sufficiently). In such a case, it is recommended that you change to a different brand of fuel.
- On rare occasions, transient knocking may be heard from the engine when the accelerator is operated rapidly such as a rapid start-up and a rapid acceleration. This is not a malfunction.
- Do not shift the select lever at the time when the hybrid system first activates.
- The hybrid system may not start immediately after the terminal of the 12 V battery has been reconnected when replacing the 12 V battery, etc.
- The remaining power of the high

voltage battery may decrease when the hybrid system has been stopped overnight in a state where it is sufficiently charged. However, this is a result of the high voltage battery self-discharge and is not a malfunction.

- When you cannot start the hybrid system, confirm that the security indicator light illuminates. If the indicator light illuminates, perform the procedure described in "Immobilizer" ☞P155.

### ■ Safety precautions for "keyless access with push-button start system"

Refer to "Safety precautions" ☞P143.

### ■ Operating range for push-button start system

Refer to "Operating range for push-button start system" ☞P175.

### ■ Starting the hybrid system

#### WARNING

- There are some general precautions when starting the hybrid system. Carefully read the precautions described in "General precautions when starting/stop-

ping the hybrid system" ☞P287.

- If the indicator on the push-button ignition switch flashes in green after the hybrid system has started, never drive the vehicle. The steering is still locked, and it may result in an accident.



#### CAUTION

- When the operation indicator on the push-button ignition switch is flashing in orange, there may be a malfunction with the vehicle. Contact a SUBARU dealer immediately.
- If the indicator on the push-button ignition switch is flashing in green after the hybrid system has started, it means that the steering is still locked. Depress the brake pedal while moving the steering wheel to the right and left, and press the push-button ignition switch.
- Do not continue pushing the push-button ignition switch for more than 10 seconds. Doing so could cause a malfunction. If the hybrid system does not start, stop pushing the push-button

ignition switch. Instead, press the push-button ignition switch without depressing the brake pedal to switch the power status to “OFF”. Wait 10 seconds, and then push the push-button ignition switch to start the hybrid system.

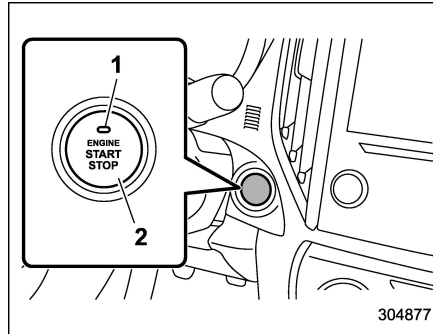
## NOTE

- For a short time after the hybrid system has started, the engine speed is kept high. When the warm-up is completed, the engine speed lowers automatically.
- When the push-button ignition switch is pressed while depressing the brake pedal, the hybrid system can be started regardless of the status of the push-button ignition switch.
- If the security indicator light illuminates when you attempt to start the hybrid system but the hybrid system does not start, press the push-button ignition switch to switch the power to “OFF” and then try to start the hybrid system again.
- If the hybrid system does not start, press the push-button ignition switch without depressing the brake pedal to switch the power to “OFF”. Then, while depressing the brake pedal more for-

cefully, press the push-button ignition switch.

• The engine start procedures may not function depending on the radio wave conditions around the vehicle. In such a case, refer to “Starting the hybrid system” P385.

• If the 12 V battery is discharged, the steering cannot be unlocked. Charge the battery.



- 1) Operation indicator
- 2) Push-button ignition switch

The starting procedure for the hybrid system is as follows.

1. Check that the charge cable is disconnected.
2. Carry the access key fob, and sit in the driver's seat.
3. Apply the parking brake.

4. Make sure the select lever is in the “P” position. The hybrid system cannot be started when the select lever is in the “N” position.

5. Depress the brake pedal until the operation indicator on the push-button ignition switch turns green.

6. While depressing the brake pedal, press the push-button ignition switch.

7. Check that the Hybrid READY indicator light is illuminated. The buzzer sounds when the Hybrid READY indicator light illuminates. However if Hybrid READY indicator light illuminates when the seatbelt is unfastened, the seatbelt warning buzzer will sound. The vehicle will not move when the Hybrid READY indicator light is off. The vehicle can move when the Hybrid READY indicator light illuminates even if the engine is stopped. (The gasoline engine starts or stops automatically in accordance with the state of the vehicle.)

## NOTE

- While pressing the select lever button, the indicator on the push-button ignition switch will not turn green even when the select lever is in the “P” position.
- In case the hybrid system does not start by the normal hybrid system start procedure, move the select lever to the

– CONTINUED –

“P” position, and switch the power to “ACC”. Depress the brake pedal, and press the push-button ignition switch for at least 15 seconds. The hybrid system may start. Only use this hybrid system start procedure in case of emergency.

- When the hybrid system does not start, the brake pedal may feel stiff. In such a case, depress the brake pedal more forcefully than usual. Check that the operation indicator on the push-button ignition switch turns green, and press the push-button ignition switch to start the hybrid system.

- When starting the hybrid system, the flashing time of the Hybrid READY indicator light may be long. Leave the vehicle as it is until the Hybrid READY indicator light is steady on, as steady means the vehicle is able to move.

- If the hybrid system does not start, the charge cable may be connected to the vehicle.

- In the event that the Hybrid READY indicator light does not come on even after performing the proper procedures for starting the vehicle, contact your SUBARU dealer immediately.

- When the high voltage battery is extremely cold (below approximately -22°F (-30°C)) under the influence of the outside temperature, it may not be

possible to start the hybrid system. In this case, try to start the hybrid system again after the temperature of the high voltage battery increases due to the outside temperature increase etc.

### ■ Stopping the hybrid system

1. Stop the vehicle completely.
2. Move the select lever to the “P” position.
3. Press the push-button ignition switch. The hybrid system will stop, and the power will be switched off.



#### WARNING

- Do not touch the push-button ignition switch during driving.

When the push-button ignition switch is operated as follows, the hybrid system will stop.

- The switch is pressed and held for 3 seconds or longer.
- The switch is pressed briefly 3 times or more in succession.

When the hybrid system stops, the brake booster will not function. A greater foot pressure will be required on the brake pedal.

The power steering system will

not operate either. A greater force will be required to steer, and it may result in an accident.

- If the hybrid system stops during driving, do not operate the push-button ignition switch or open any of the doors until the vehicle is stopped in a safe location. It is dangerous because the steering lock may be activated. Stop the vehicle in a safe place, and contact a SUBARU dealer immediately.



#### CAUTION

- Do not stop the hybrid system while the select lever is in a position other than the “P” position.
- If the hybrid system is stopped while the select lever is in a position other than the “P” position, the power will be in “ACC”. If the vehicle is left in this condition, the 12 V battery may be discharged.

#### NOTE

Although you can stop the hybrid

**system by operating the push-button ignition switch, do not stop the hybrid system during driving except in an emergency.**

### ■ Automatic shut down

This function is a safety system that activates when the user forgets to turn off the hybrid system.

#### ▼ System standby

When the following conditions are satisfied, the system judges that the vehicle has been left unattended and engages standby state. At this time, a message is displayed on the combination meter and the buzzer sounds to notify the user of the standby state.

- The Hybrid READY indicator light is illuminated and the vehicle is stopped (vehicle speed 3 mph (5 km/h) or less).
- The select lever is in the “P” position.
- The driver’s seatbelt is not fastened.
- Opening of the driver’s door was detected.

#### ▼ System operation

When the engine is started from standby state and the remaining charge of the high voltage battery is low, the system begins a 10 minute count. When approximately 10 minutes have passed, a message is

displayed on the combination meter. At this time, the buzzer sounds for 5 seconds, and then the hybrid system automatically turns off.

### NOTE

**If the automatic shut off system deviates from the operating condition during the system standby state or the 10 minute count state, the system will be canceled.**

### ■ When access key fob does not operate properly

Refer to “Access key fob – if access key fob does not operate properly” P384.

## 7-5. Continuously variable transmission

### WARNING

Do not shift from the “P” or “N” position into the “D”, “B” or “R” position while depressing the accelerator pedal. This may cause the vehicle to jump forward or backward.

### CAUTION

- Shift into the “P” or “R” position only after the vehicle is completely stopped. Shifting while the vehicle is moving may cause damage to the transmission.
- Never move the vehicle rearward by inertia with the select lever set in a forward driving position or move the vehicle forward by inertia with the select lever set in the “R” position. Doing so may result in an unexpected accident or malfunction.
- Do not shift from the “D”/“B” position into the “R” position or vice versa until the vehicle has

completely stopped. Such shifting may cause damage to the transmission.

- When parking the vehicle, first securely apply the parking brake and then place the select lever in the “P” position. Do not park for a long time with the select lever in any other position as doing so could result in a dead battery.

### ■ Continuously variable transmission features

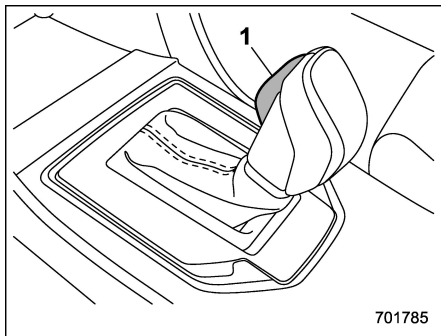
The continuously variable transmission is electronically controlled and provides an infinite number of forward speeds and 1 reverse speed. It also has a “B” position.

#### NOTE

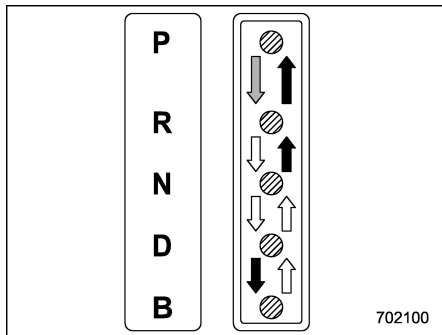
When the engine coolant temperature is still low, the transmission will upshift or downshift at higher engine speeds than when the coolant temperature is sufficiently high in order to shorten the warm-up time and improve driveability. The gearshift timing will automatically shift to the normal timing after the engine has warmed up.

### ■ Select lever

#### ▼ Select lever positions



1) Select lever button



➡ : With the brake pedal depressed, shift while pressing the select lever button

in.

➡ : Shift while pressing the select lever button in.

➡ : Shift without pressing the select lever button.

The select lever has five positions, “P”, “R”, “N”, “D”, and “B”.

#### NOTE

In the “P” or “N” position, the engine speed will not increase when the accelerator pedal is depressed.

#### ▼ P (Park)

This position is for parking the vehicle and starting the hybrid system. In this position, the transmission is mechanically locked to prevent the vehicle from rolling freely.

When you park the vehicle, first apply the parking brake firmly, then shift into the “P” position. Do not hold the vehicle with only the mechanical friction of the transmission.

To shift the select lever from the “P” position to any other position, you should depress the brake pedal fully then move the select lever. This prevents the vehicle from lurching when it is started.

#### ▼ R (Reverse)

This position is for backing the vehicle. To shift from the “N” to “R” position, stop the vehicle completely then move the lever to



the “R” position while pressing the select lever button in.

When the ignition switch has been turned to the “OFF” position, movement of the select lever from the “N” to “R” position is possible for a limited time period by depressing the brake pedal, and then it becomes impossible. For details, refer to “Shift lock function” P294.

#### ▼ N (Neutral)

In this position, the transmission is neutral, meaning that the wheels and transmission are not locked. Therefore, the vehicle will roll freely, even on the slightest incline unless the parking brake or foot brake is applied.

Avoid coasting with the transmission in neutral. Engine braking and regenerative braking have no effect in this condition.

### WARNING

**Do not drive the vehicle with the select lever in the “N” (neutral) position. Engine braking and regenerative braking have no effect in this condition and the risk of an accident is consequently increased.**

### CAUTION

**If the shift position is in “N”, the high voltage battery will not be charged. To prevent the battery from discharging, avoid leaving the “N” position selected for an extended period of time.**

#### NOTE

**If the select lever is in the “N” position when you stop the hybrid system for parking, you may not subsequently be able to move it to the “R” and “P” positions. If this happens, turn the ignition switch to the “ON” position. You will then be able to move the select lever to the “P” position.**

#### ▼ D (Drive)

This position is for normal driving. The transmission shifts automatically and continuously into a suitable gear according to the vehicle speed and the acceleration you require. Also, while driving up and down a hill, the transmission assists and controls the driving performance and engine braking while corresponding to the road grade.

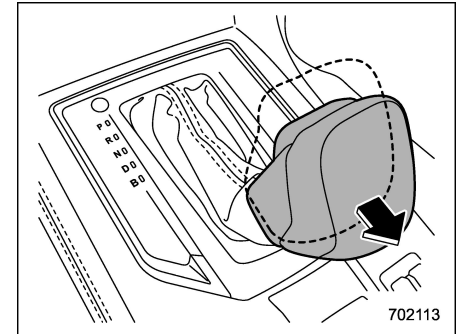
When more acceleration is required in “D” position, depress the accelerator pedal fully to the floor and hold that position. The

transmission will automatically downshift.

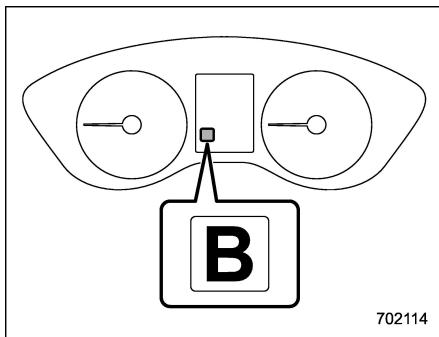
#### ▼ B (Brake)

Applying engine braking or strong braking when the accelerator pedal has been released on steep downward slopes etc.

#### ■ Selection of “B”



While pressing the select lever button, move the select lever from the “D” position to the “B” position.



When selected, the indicator “B” will illuminate on the combination meter.

To deselect “B”, move the select lever to the “D” position.

### ■ Shift lock function

The shift lock function helps prevent the improper operation of the select lever.

- The select lever cannot be operated unless the ignition switch is turned to the “ON” position and the brake pedal is depressed.
- The select lever cannot be moved from the “P” position to any other position before the brake pedal is depressed. Depress the brake pedal first, and then operate the select lever.
- If the ignition switch is turned to the

“OFF” position while the select lever is in the “N” position, the select lever may not be moved to the “P” position after a period of time. Therefore, move the select lever to the “P” position with the brake pedal depressed soon after the ignition switch is turned to the “OFF” position.

### ▼ Shift lock release

If the select lever cannot be operated, turn the ignition switch back to the “ON” position then move the select lever to the “P” position with the select lever button pressed and brake pedal depressed.

If the select lever does not move after performing the above procedure, perform the following steps.

#### ● When the select lever cannot be shifted from “P” to “N”:

Refer to “Shift lock release using the shift lock release button” ☞ P294.

#### ● When the select lever cannot be shifted from “N” to “R”, “P”:

Within 60 seconds after placing the ignition switch in the “ACC” position, move the select lever to the “P” position with the select lever button pressed and brake pedal depressed.

If you must perform the above procedure, the shift lock system (or the vehicle control

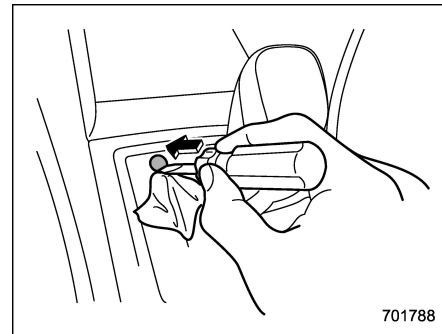
system) may be malfunctioning. Contact a SUBARU dealer for an inspection as soon as possible.

If the select lever does not move after performing the above procedure, refer to “Shift lock release using the shift lock release button” ☞ P294.

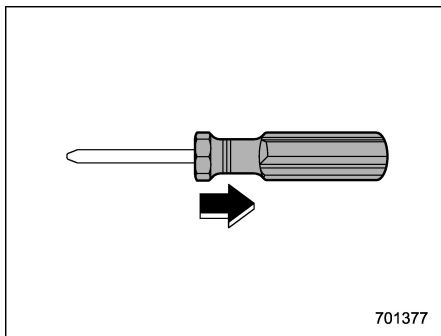
### ▼ Shift lock release using the shift lock release button

Perform the following procedure to release the shift lock.

1. Apply the parking brake and turn the ignition switch to the “OFF” position.

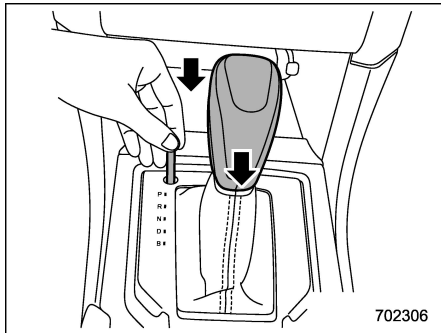


2. Wrap the tip of a flat-head screwdriver with vinyl tape or a cloth and use it to remove the shift lock cover. The shift lock release button is located under the shift lock cover.



701377

3. Remove the grip portion of the screwdriver.



702306

4. While depressing the brake pedal, insert a screwdriver into the hole, move it right and left while pushing the shift lock release button using a screwdriver, and

then move the select lever.

If the select lever does not move after performing the above procedure, the shift lock system may be malfunctioning. Contact a SUBARU dealer for an inspection as soon as possible.

### ■ Driving tips

#### ▲ CAUTION

**If the accelerator and brake pedals are depressed at the same time, driving torque may be restrained. This is not a malfunction.**

- Always apply the foot or parking brake when the vehicle is stopped in the "D", "B" or "R" position.
- Always apply the parking brake when parking your vehicle. Do not hold the vehicle with only the mechanical friction of the transmission.
- Do not keep the vehicle in a stationary position on an uphill grade by using the "D" or "B" position. Use the brake instead.
- The engine may, on rare occasions, knock when the vehicle rapidly accelerates or rapidly pulls away from a standstill. This phenomenon does not indicate a malfunction.

## 7-6. SI-DRIVE

SI-DRIVE (SUBARU Intelligent Drive) works to maximize hybrid system performance, control and efficiency.

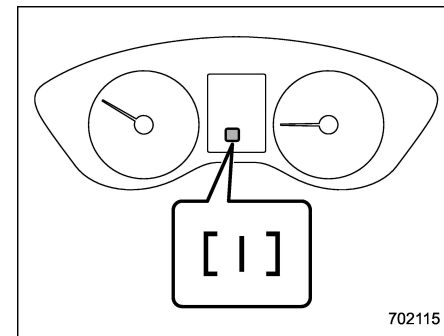
This system consists of the following modes:

- Intelligent (I) mode
- Sport (S) mode

By operating the SI-DRIVE switches, the character of the power unit changes.

### ■ Intelligent (I) mode

#### ▼ For smooth, efficient performance driving



702115

The linear acceleration characteristic of this versatile mode is ideal for normal

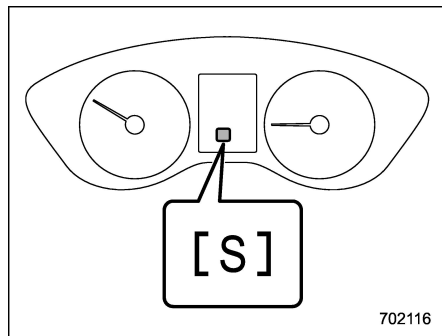
driving use.

The Intelligent (I) mode provides well-balanced performance with greater fuel efficiency and smooth driveability without stress. Power delivery is moderate during acceleration for maximum fuel efficiency.

This is ideal for around-town driving and situations that do not require full power output. It provides better control in difficult driving conditions, such as slippery roads or loose surfaces, due to gentler throttle response.

## ■ Sport (S) mode

▼ For all-around performance driving



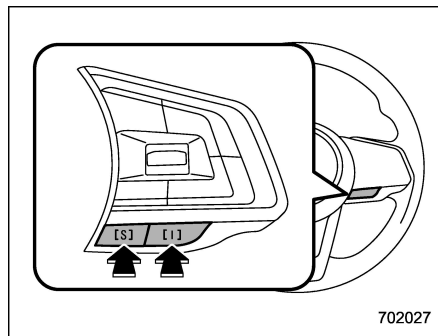
The Sport (S) mode provides the hybrid system power desired by those who want to make the driving experience their own

personal adventure.

## ■ SI-DRIVE switches

### NOTE

**If any of the SI-DRIVE indicators blink, the SI-DRIVE system may be malfunctioning. We recommend that you contact your SUBARU dealer.**



### SI-DRIVE switches

To select the Intelligent (I) mode, press the "I" switch. To select the Sport (S) mode, press the "S" switch.

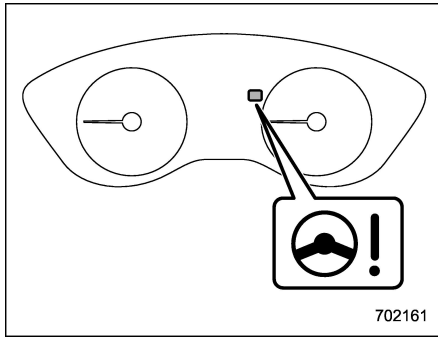
### NOTE

**The default mode of the SI-DRIVE system is the Intelligent (I) mode. Once you turn off the hybrid system, the previous setting mode is canceled and**

**the SI-DRIVE system returns to the Intelligent (I) mode the next time you turn on the hybrid system.**

## 7-7. Power steering

### ■ Power steering system features



Power steering warning light

The vehicle is equipped with an electric power steering system. When the ignition switch is turned to the “ON” position, the power steering warning light on the combination meter illuminates to inform the driver that the warning system is functioning properly. Then, if the hybrid system started, the warning light turns off to inform the driver that the steering power assist is operational.



**CAUTION**

**When the power steering warning**

light is illuminated, there may be more resistance when the steering wheel is operated. Drive carefully to the nearest SUBARU dealer and have the vehicle inspected immediately.

### NOTE

If the steering wheel is operated in the following ways, the power steering control system may temporarily limit the power assist in order to prevent the system components, such as the control computer and drive motor, from overheating.

- The steering wheel is operated frequently and turned sharply while the vehicle is maneuvered at extremely low speeds, such as while frequently turning the steering wheel during parallel parking.
- The steering wheel remains in the fully turned position for a long period of time.

At this time, there will be more resistance when steering. However this is not a malfunction. Normal steering force will be restored after the steering wheel is not operated for a while and the power steering control system has an opportunity to cool down. However,

if the power steering is operated in a non-standard way which causes power assist limitation to occur too frequently, this may result in a malfunction of the power steering control system.

## 7-8. Braking

### ■ Braking tips



#### WARNING

Never rest your foot on the brake pedal while driving. This can cause dangerous overheating of the brakes and needless wear on the brake pads.

#### ▼ When the brakes get wet

When driving in rain or after washing the vehicle, the brakes may get wet. As a result, brake stopping distance will be longer. To dry the brakes, drive the vehicle at a safe speed while lightly depressing the brake pedal to heat up the brakes.

#### ▼ Use of engine braking

Remember to make use of engine braking in addition to foot braking. When descending a grade, if only the foot brake is used, the brakes may start working improperly because of brake fluid overheating, caused by overheated brake pads. To help prevent this, shift into a lower gear to get stronger engine braking.

#### ▼ Braking when a tire is punctured

Do not depress the brake pedal suddenly when a tire is punctured. This could cause

a loss of control of the vehicle. Keep driving straight ahead while gradually reducing speed. Then slowly pull off the road to a safe location.

### ■ Brake system

#### ▼ Two separate circuits

Your vehicle has two separate circuit brake systems. Each circuit works diagonally across the vehicle. If one circuit of the brake system should fail, the other half of the system still works. If one circuit fails, the brake pedal will go down much closer to the floor than usual and you will need to press it down much harder. And a much longer distance will be needed to stop the vehicle.

#### ▼ Brake booster

The vehicle is equipped with an electronic brake booster to provide additional braking force. Do not turn off the hybrid system while driving because that will turn off the brake booster, resulting in poor braking power.

The brakes will continue to work even when the brake booster completely stops functioning. If this happens, you will have to depress the pedal much harder than during normal braking, and the braking distance will increase.

### NOTE

● When the following operations are performed, an operating sound from the electronic brake boost control module may be heard. This is not a malfunction.

- The brake pedal was operated.
- The driver's door was opened.
- The EyeSight function was activated.
- Several minutes have passed after the hybrid system stopped.

● Vibration may occur when the brake pedal was depressed and the vehicle speed was reduced from approximately 9 mph (15 km/h) to 0 mph (0 km/h), however this is not abnormal.

#### ▼ Supplemental booster function when pressure fails

If there is a malfunction in the braking system, the power for the braking will be stored by controlling the hydraulic pressure of the VDC system.

When the brake pedal is depressed while the supplemental booster function is operating, an operation sound and brake pedal vibration may be generated.

## ▼ Brake assist system

**WARNING**

Do not be overconfident about the brake assist. It is not a system that brings more braking ability to the vehicle beyond its braking capability. Always use the utmost care when driving regarding vehicle speed and safe distance.

**CAUTION**

When you need to brake suddenly, continue depressing the brake pedal strongly to bring the effect of the brake assist.

Brake assist is a driver assistance system. It assists the brake power when the driver cannot depress the brake pedal strongly and the brake power is insufficient.

Brake assist generates the brake power according to the speed at which the driver depresses the brake pedal.

If the brake pedal may feel heavy, immediately stop the vehicle in a safe location. And request instructions from a SUBARU dealer. Continuing to drive the vehicle may be dangerous.

**NOTE**

When you depress the brake pedal strongly or suddenly, the following phenomena occur. However, even though these occur, they do not indicate any malfunctions, and the brake assist system is operating properly.

- You might feel that the brake pedal is applied by lighter force and generates a greater braking force.
- You might hear an ABS operating noise from the engine compartment.

## ▼ Regenerative braking

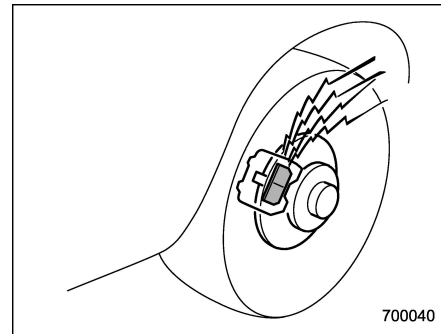
Regenerative braking converts deceleration energy to electrical energy. This generated electrical energy is stored in the high voltage battery. When driving with the select lever in the “D” or “B” position, regenerative braking activates at the following times.

- When the accelerator pedal was released
- When the brake pedal was depressed

**NOTE**

When the high voltage battery is fully charged, it is not recharged by regenerative braking.

## ■ Disc brake pad wear warning indicators



The disc brake pad wear warning indicators on the disc brakes give a warning noise when the brake pads are worn.

If a squeaking or scraping noise is heard from the disc brakes while braking, immediately have your vehicle checked by your SUBARU dealer.

## 7-9. ABS (Anti-lock Brake System)

The ABS prevents the lock-up of wheels which may occur during sudden braking or braking on slippery road surfaces. This helps prevent the loss of steering control and directional stability caused by wheel lock-up.

When the ABS is operating, you may hear a chattering noise or feel a slight vibration in the brake pedal. This is normal when the ABS operates.

The ABS will not operate when the vehicle speed is below approximately 6 mph (10 km/h).

### WARNING

Always use the utmost care in driving – overconfidence because you are driving a vehicle with the ABS could easily lead to a serious accident.

### CAUTION

- The ABS does not always decrease stopping distance. You should always maintain a safe

following distance from other vehicles.

- When driving on badly surfaced roads, gravel roads, icy roads, or over deep newly fallen snow, stopping distances may be longer for a vehicle with the ABS than one without. When driving under these conditions, therefore, reduce your speed and leave ample distance from other vehicles.
- When tire chains are installed, stopping distances may be longer for a vehicle with the ABS than one without. Be sure to reduce your speed and maintain a safe distance from the vehicle in front.
- When you feel the ABS operating, you should maintain constant brake pedal pressure. Do not pump the brake pedal since doing so may defeat the operation of the ABS.

### ■ ABS self-check

Just after the vehicle is started, you may feel on the brake pedal a vibration similar to when the ABS operates, and you may also hear the sound of the ABS working from the engine compartment. This is

caused by an automatic functional test of the ABS being carried out and does not indicate a malfunction.

### ■ ABS warning light

Refer to “ABS warning light” ⒸP188.



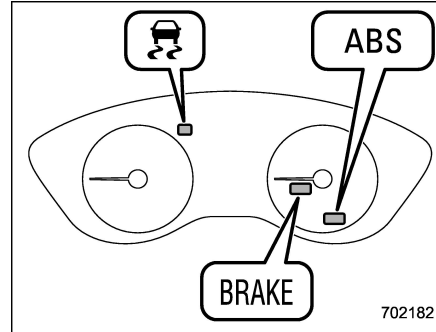
## 7-10. Electronic Brake Force Distribution (EBD) system

The EBD system maximizes the effectiveness of the brakes by allowing the rear brakes to supply a greater proportion of the braking force. It functions by adjusting the distribution of braking force to the rear wheels in accordance with the vehicle's loading condition and speed.

The EBD system is an integral part of the ABS and uses some of the ABS components to perform its function of optimizing the distribution of braking force. If any of the ABS components used by the EBD system malfunction, the EBD system also stops working.

When the EBD system is operating, you may hear a chattering noise or feel a slight vibration in the brake pedal. This is normal and does not indicate a malfunction.

### ■ Steps to take if EBD system malfunctions



If a malfunction occurs in the EBD system, the system stops working and the following warning lights illuminate simultaneously.

- Brake system warning light
- ABS warning light
- Vehicle Dynamics Control warning light

The EBD system may be malfunctioning if all the warning lights illuminate simultaneously during driving.

Even if the EBD system malfunctions, the conventional braking system will still function. However, the rear wheels will be more prone to locking when the brakes are applied harder than usual and the vehicle's motion may therefore become somewhat harder to control.

If all the warning lights illuminate simultaneously, take the following steps.

1. Stop the vehicle in the nearest safe, flat location.
2. Apply the parking brake and turn off the hybrid system.
3. Restart the hybrid system.
4. Release the parking brake.

#### If all the warning lights do not come back on:

The EBD system have a possible malfunction. Drive carefully to the nearest SUBARU dealer and have the system inspected.

#### If all the warning lights stay illuminated or come back on after approximately 2 seconds:

1. Turn off the hybrid system again.
2. Apply the parking brake.
3. Check the brake fluid level. For details about checking the brake fluid level, refer to "Checking the fluid level" P414.

- If the brake fluid level is not below the "MIN" mark, the EBD system may be malfunctioning. Drive carefully to the nearest SUBARU dealer and have the system inspected.

- If the brake fluid level is below the "MIN" mark, DO NOT drive the vehicle. Instead,

have the vehicle towed to the nearest SUBARU dealer for repair.

 **WARNING**

- Driving with the brake system warning light illuminated is dangerous. This indicates your brake system may not be working properly. If the light remains illuminated, have the brakes inspected by a SUBARU dealer immediately.
- If at all in doubt about whether the brakes are operating properly, do not drive the vehicle. Have your vehicle towed to the nearest SUBARU dealer for repair.

## 7-11. Vehicle Dynamics Control system

### ■ Safety precautions

 **WARNING**

Always use the utmost care in driving – overconfidence because you are driving a vehicle with the Vehicle Dynamics Control system could easily lead to a serious accident.

 **CAUTION**

- Even if your vehicle is equipped with Vehicle Dynamics Control system, winter tires should be used when driving on snow-covered or icy roads; in addition, vehicle speed should be reduced considerably. Simply having a Vehicle Dynamics Control system does not guarantee that the vehicle will be able to avoid accidents in any situation.
- Activation of the Vehicle Dynamics Control system is an indication that the road being travelled on has a slippery surface; since having Vehicle Dy-

namics Control is no guarantee that full vehicle control will be maintained at all times and under all conditions, its activation should be seen as a sign that the speed of the vehicle should be reduced considerably.

- Whenever suspension components, steering components, or an axle are removed from a vehicle, have an inspection of that system performed by an authorized SUBARU dealer.
- The following precautions should be observed in order to ensure that the Vehicle Dynamics Control system is operating properly:
  - All four wheels should be fitted with tires of the same size, type, and brand. Furthermore, the amount of wear should be the same for all four tires.
  - Keep the tire pressure at the proper level as shown on the vehicle placard attached to the driver's side door pillar.
- If non-matching tires are used, the Vehicle Dynamics Control system may not operate correctly.

- **The Vehicle Dynamics Control system helps prevent unstable vehicle motion such as skidding using control of the brakes and hybrid system power. Do not turn off the Vehicle Dynamics Control system unless it is absolutely necessary. If you must turn off the Vehicle Dynamics Control system, drive very carefully according to the road surface conditions.**

## ■ System features

In the event of wheelspin and/or skidding on a slippery road surface and/or during cornering and/or an evasive maneuver, the Vehicle Dynamics Control system adjusts the hybrid system's output and the wheels' respective braking forces to help maintain traction and directional control.

### ● Traction Control Function

The traction control function is designed to prevent spinning of the driving wheels on slippery road surfaces, thereby helping to maintain traction and directional control. Activation of this function is shown by flashing the Vehicle Dynamics Control operation indicator light.

### ● Skid Suppression Function

The skid suppression function is designed to help maintain directional stability by suppressing the wheels' tendency to slide sideways during steering operations. Activation of this function is shown by flashing the Vehicle Dynamics Control operation indicator light.

## NOTE

● The Vehicle Dynamics Control system may be considered normal when the following conditions occur.

- Slight twitching of the brake pedal is felt.
- The vehicle or steering wheel shakes to a small degree.
- An operating sound from the engine compartment is heard briefly when starting the hybrid system and when driving off after starting the hybrid system.
- The brake pedal seems to jolt when driving off after starting the hybrid system.

● In the circumstances shown in the following list, the vehicle may be less stable than it feels to the driver. The Vehicle Dynamics Control System may therefore operate. Such operation does not indicate a system malfunction.

- On gravel-covered or rutted

roads

- On unfinished roads
- When the vehicle is towing a trailer
- When the vehicle is fitted with snow tires or winter tires.

● Activation of the Vehicle Dynamics Control system will cause operation of the steering wheel to feel slightly different compared to that for normal conditions.

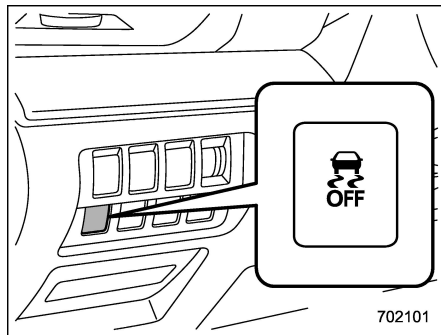
● It is always important to reduce speed when approaching a corner, even if your vehicle is equipped with the Vehicle Dynamics Control system.

● Always turn off the hybrid system before replacing a tire. Failure to do so may render the Vehicle Dynamics Control system unable to operate correctly.

## ■ Vehicle Dynamics Control system monitor

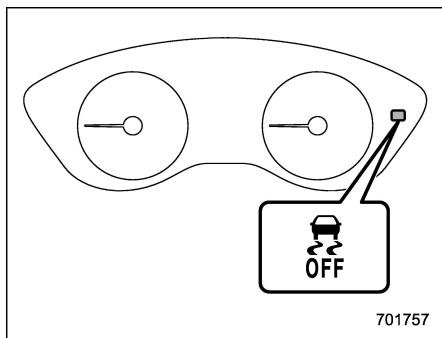
Refer to "Vehicle Dynamics Control warning light/Vehicle Dynamics Control operation indicator light" ⒸP193 and "Vehicle Dynamics Control OFF indicator light" ⒸP194.

## ■ Vehicle Dynamics Control OFF switch



Press the Vehicle Dynamics Control OFF switch to deactivate the Vehicle Dynamics Control system. Creating adequate driving wheel slip by deactivating the Vehicle Dynamics Control system may help to recover from the loss of traction. Use the Vehicle Dynamics Control OFF switch as necessary.

- A standing start on a steeply sloping road with a snowy, gravel-covered, or otherwise slippery surface
- Extrication of the vehicle when its wheels are stuck in mud or deep snow



When the switch is pressed during hybrid system operation, the Vehicle Dynamics Control OFF indicator light “OFF” on the combination meter illuminates. The Vehicle Dynamics Control system will be deactivated and the vehicle will behave like a model not equipped with the Vehicle Dynamics Control system. When the switch is pressed again to reactivate the Vehicle Dynamics Control system, the Vehicle Dynamics Control OFF indicator light turns off.

With the Vehicle Dynamics Control system deactivated, traction and stability enhancement offered by Vehicle Dynamics Control system is unavailable. Therefore you should not deactivate the Vehicle Dynamics Control system except under above-mentioned situations.

## NOTE

- When the switch has been pressed to deactivate the Vehicle Dynamics Control system, the Vehicle Dynamics Control system automatically reactivates itself the next time the ignition switch is turned to the “OFF” position and the hybrid system is restarted.
- If the switch is held down for 30 seconds or longer, the indicator light turns off, the Vehicle Dynamics Control system is activated, and the system ignores any further pressing of the switch. To make the switch usable again, turn the ignition switch to the “OFF” position and restart the hybrid system.
- When the switch is pressed to deactivate the Vehicle Dynamics Control system, the vehicle’s running performance is comparable with that of a vehicle that does not have a Vehicle Dynamics Control system. Do not deactivate the Vehicle Dynamics Control system except when absolutely necessary.
- Even when the Vehicle Dynamics Control system is deactivated, components of the brake control system may still activate. When the brake control system is activated, the Vehicle Dynamics Control operation indicator

light flashes.

## 7-12. X-MODE

### WARNING

- Always use the utmost care in driving – overconfidence because you are driving a vehicle with X-MODE could easily lead to a serious accident.
- Always use the utmost care in driving – overconfidence because you are driving a vehicle with hill descent control function could easily lead to a serious accident. Be especially careful, and depress the brake pedal if necessary when driving on extremely steep downhill, frozen, muddy or sandy roads. Failure to control the vehicle's speed may cause a loss of control and result in a serious accident.

### CAUTION

- Even if your vehicle is equipped with X-MODE, winter tires should be used when driving on snow-covered or icy roads; in addition, vehicle speed should be reduced considerably. Simply having X-

MODE does not guarantee that the vehicle will be able to avoid accidents in any situation.

- Activate the X-MODE when you encounter a very slippery surface at low speed. However, having X-MODE is no guarantee that full vehicle control will be maintained at all times and under all conditions. When activating X-MODE, the speed of the vehicle should be reduced considerably.
- Whenever suspension components, steering components, or an axle have been refitted in a vehicle, have the system inspected by an authorized SUBARU dealer.
- Observe the following precautions in order to ensure that the X-MODE is operating properly:
  - All four wheels should be fitted with tires of the same size, type, and brand. Furthermore, the amount of wear should be the same for all four tires.
  - Keep the tire pressure at the proper level as shown on the label attached to the vehicle's door pillar.

- If the hill descent control function has operated continuously for a long time, the temperature of the brake disc may increase and the hill descent control function may be temporarily disabled. In this case, the hill descent control indicator will disappear. When the hill descent control indicator disappears, the hill descent control function is disabled.

X-MODE is the integrated control system of the hybrid system, AWD and Vehicle Dynamics Control system, etc. for driving with bad road conditions. Using X-MODE, you can drive more comfortably even in slippery road conditions including uphill and downhill.

X-MODE has the following functions.

- **Hill descent control function:**

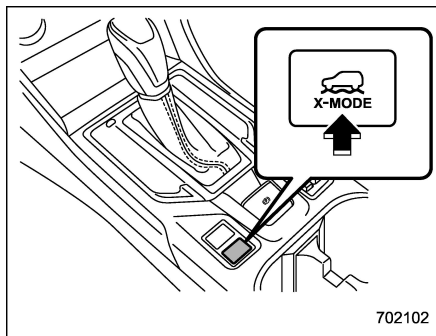
Using the hill descent control function, you can keep the vehicle at a consistent speed driving downhill. If the vehicle speed is likely to increase, the brake control system will be activated to adjust the vehicle speed.

- **Driving ability control:**

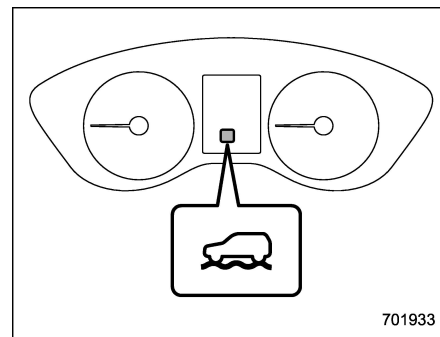
This mode increases the hill-climbing ability and driving ability as well as enabling smooth application of torque for

easier control of the steering wheel.

## ■ To activate/deactivate the X-MODE



X-MODE switch



X-MODE indicator

### To activate:

Press the X-MODE switch. While the X-MODE is activated, the X-MODE indicator appears.

### To deactivate:

Press the X-MODE switch again. The X-MODE indicator will disappear when the X-MODE is deactivated.

## NOTE

- Even if you try to activate the X-MODE by pressing the X-MODE switch when the vehicle speed is 12 mph (20 km/h) or more, the X-MODE will not be activated. At this time, a buzzer will sound twice.
- If the vehicle speed reaches 25 mph

(40 km/h) or more while the X-MODE is activated, a buzzer will sound once and the X-MODE will be deactivated.

- The SI-DRIVE mode will change to the Intelligent (I) mode when the X-MODE is deactivated.
- The SI-DRIVE mode will not be affected even if the SI-DRIVE switch is pressed while the X-MODE is activated. At this time, the buzzer will sound twice.
- While the hybrid system is running, if any of the following conditions is met, the X-MODE will be deactivated. In this case, it is not possible to activate the X-MODE.

Also, the mode will change to the Sport (S) mode and it will not be possible to change to the other modes.

- The CHECK ENGINE warning light/malfunction indicator light illuminates.
- The ABS warning light illuminates.
- The Vehicle Dynamics Control warning light illuminates.
- If the engine could overheat because of a temperature increase of the engine coolant, it may not be possible to activate the X-MODE. Even while the X-MODE is activated, the X-MODE will be deactivated when the engine coolant

temperature increases. In this case, the mode will change to the Sport (S) mode.

### ■ Hill descent control function

The hill descent control function will be in standby mode when the X-MODE is activated and the vehicle speed is less than approximately 12 mph (20 km/h).

The function will operate when the vehicle speed is less than approximately 12 mph (20 km/h) and the accelerator ratio is less than approximately 10%.

The function will turn off when the vehicle speed is more than approximately 12 mph (20 km/h) and the accelerator pedal is depressed.

#### ⚠ CAUTION

The braking power of the hill descent control function may not be sufficient when strong braking power is needed (e.g., when towing a trailer).

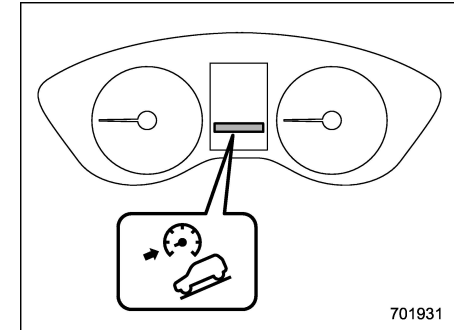
#### NOTE

- Even while the hill descent control function is operating, you can vary the vehicle speed by using the brake pedal or accelerator pedal.
- During braking by the hill descent

control function, the hill descent control indicator will flash.

- The hill descent control function is operable regardless of the gradient of the road.
- The hill descent control function may be considered normal when the following conditions occur.
  - An operating sound is heard briefly from the hybrid system compartment while the hill descent control function is operating.
  - The sensation of depressing the brake pedal is different, (harder than usual etc.) when the brake pedal is depressed during hill descent control function operation.

#### ▼ Hill descent control indicator

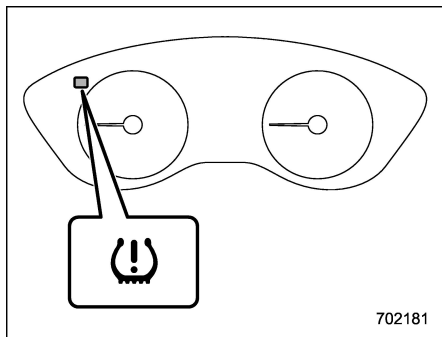


Hill descent control indicator

701931

This indicator appears while the hill descent control function is in the standby mode. It flashes while the function is operating. It will disappear when the function is in the disabled mode. When this function is changed from operational to non-operational, it will disappear when the vehicle speed reaches more than approximately 18 mph (30 km/h).

### 7-13. Tire pressure monitoring system (TPMS)



The tire pressure monitoring system provides the driver with a warning message when tire pressure is severely low.

The tire pressure monitoring system will activate only when the vehicle is driven at speeds above 20 mph (32 km/h). Also, this system may not react immediately to a sudden drop in tire pressure (for example, a blow-out caused by running over a sharp object).



#### WARNING

- If the low tire pressure warning light illuminates while driving, never brake suddenly. Instead,

perform the following procedure. Otherwise, an accident involving serious vehicle damage and serious personal injury could occur.

- (1) Keep driving straight ahead while gradually reducing speed.
- (2) Slowly pull off the road to a safe location.
- (3) Check the pressure for all four tires and adjust the pressure to the COLD tire pressure shown on the tire placard. The tire placard is located on the door pillar on the driver's side.

Even when the vehicle is driven a very short distance, the tires get warm and their pressures increase accordingly. Be sure to let the tires cool thoroughly before adjusting their pressures to the standard values shown on the tire placard. Refer to "Tires and wheels" P416. The tire pressure monitoring system does not function when the vehicle is stationary. After adjusting the tire pressures, increase the vehicle speed to at least 20 mph (32 km/h) to start the TPMS rechecking of



the tire inflation pressures. If the tire pressures are now above the severe low pressure threshold, the low tire pressure warning light should turn off a few minutes later.

If this light still illuminates while driving after adjusting the tire pressure, a tire may have significant damage and a fast leak that causes the tire to lose air rapidly.

- When a wheel rim is replaced without the original pressure sensor/transmitter being transferred, the low tire pressure warning light will illuminate steadily after blinking for approximately one minute. This indicates the TPMS is unable to monitor all four road wheels. Contact your SUBARU dealer as soon as possible for tire and sensor replacement and/or system resetting.
- When a tire is repaired with liquid sealant, the tire pressure warning valve and transmitter may not operate properly. If a liquid sealant is used, contact your nearest SUBARU dealer or other qualified service shop as soon as possible. Make sure to replace the tire pressure warning valve and

transmitter when replacing the tire. You may reuse the wheel if there is no damage to it and if the sealant residue is properly cleaned off. Do not inject any tire liquid or aerosol tire sealant into the tires, as this may cause a malfunction of the tire pressure sensors. If the light illuminates steadily after blinking for approximately one minute, promptly contact a SUBARU dealer to have the system inspected.



#### CAUTION

Do not place metal film or any metal parts in the cargo area. This may cause poor reception of the signals from the tire pressure sensors, and the tire pressure monitoring system will not function properly.

#### NOTE

This device complies with part 15 of the FCC Rules. Operation is subject to the following two conditions: (1) This device may not cause harmful interference, and (2) this device must accept any interference received, including

interference that may cause undesired operation.

#### FCC CAUTION

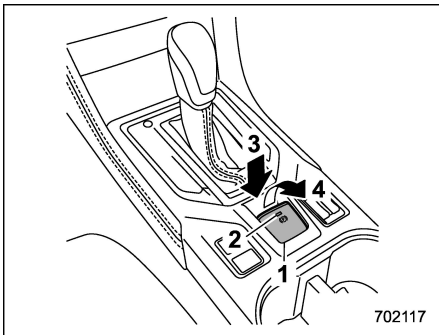
Changes or modifications not expressly approved by the party responsible for compliance could void the user's authority to operate the equipment.

## 7-14. Parking your vehicle

### WARNING

- Never leave unattended children or pets in the vehicle. They could accidentally injure themselves or others through inadvertent operation of the vehicle. Also, on hot or sunny days, the temperature in a closed vehicle could quickly become high enough to cause severe or possibly fatal injuries to them.
- Do not park the vehicle over flammable materials such as dry grass, waste paper or rags, as they may burn easily if they come near hot engine or exhaust system parts.
- Be sure to stop the hybrid system if you take a nap in the vehicle. If engine exhaust gas enters the passenger compartment, occupants in the vehicle could die from carbon monoxide (CO) contained in the exhaust gas.

### ■ Electronic parking brake



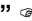
- 1) Parking brake switch
- 2) Indicator light
- 3) Release the electronic parking brake
- 4) Apply the electronic parking brake

### WARNING

- Before exiting the vehicle, make sure that you turn off the hybrid system. Otherwise, the parking brake may be released and an accident may occur.
- If the electronic parking brake warning light illuminates, the electronic parking brake system may be malfunctioning. Immediately stop your vehicle in a safe location, use tire stops under the

tires to prevent the vehicle from moving and we recommend that you contact your SUBARU dealer.

### CAUTION

- When the electronic parking brake system has a malfunction and the parking brake cannot be applied, we recommend that you contact your SUBARU dealer immediately for an inspection. If you have to park your vehicle in such conditions, perform the following procedure.
  - Stop your vehicle in a flat location.
  - Shift the select lever in the “P” position. When the select lever cannot be shifted into the “P” position, you must release shift lock. Refer to “Shift lock function”  P294.
  - Use tire stops under the tires to prevent the vehicle from moving.
- Never drive while the parking brake is applied because this will cause unnecessary wear on the brake pads. Before starting to

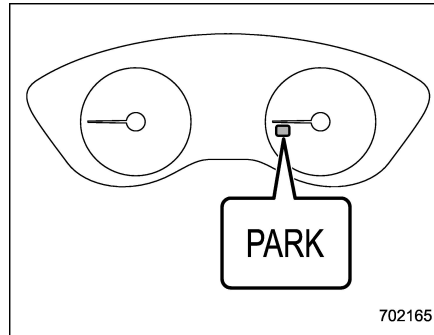
drive, always make sure that the parking brake has been released and the electronic parking brake indicator light has turned off.

- The braking power of the electronic parking brake may not be sufficient when strong braking power is needed (e.g., when parking on a steep slope while towing a trailer).

Your vehicle is equipped with an electronic parking brake. You can apply/release the parking brake by operating the parking brake switch.

**To apply:** Pull up the parking brake switch.

**To release:** Press the parking brake switch firmly while the ignition switch is in the "ON" position and the brake pedal is depressed.



#### Electronic parking brake indicator light

When the parking brake is applied while the ignition switch is in the "ON" position, the following indicator lights illuminate.

- The indicator light on the parking brake switch
- The electronic parking brake indicator light on the combination meter (for details, refer to "Electronic parking brake indicator light" P190.)

#### NOTE

- If the parking brake switch is pressed with the ignition switch in the "ACC" or "OFF" position, the parking brake is not released.
- If the parking brake switch is pressed without depressing the brake pedal, the parking brake is not re-

leased.

- The electronic parking brake system uses motors to apply the parking brake. Therefore, operating sounds from the motors will be heard when applying or releasing the parking brake. Make sure that the motor sounds are heard when applying or releasing the parking brake. Additionally, the motor sounds will be heard when operating the select lever or depressing the brake pedal. This is not a malfunction. The sounds will occur when the electronic parking brake system automatically controls the motors.

- When the electronic parking brake system has a malfunction or the electronic parking brake operation is prohibited temporarily, if the parking brake switch is operated, a chirp sound is heard and the electronic parking brake indicator light flashes.

- When the electronic parking brake is applied under any of the following conditions, the operating sound of the electronic parking brake may be heard several minutes after the electronic parking brake indicator light illuminates. However, this does not indicate a malfunction.

- The parking brake overheats.
- The vehicle is parked on a steep

slope.

– You operate the parking brake switch after the ignition switch has been turned off.

● If you use the electronic parking brake under the following conditions, the electronic parking brake indicator light may flash.

- The parking brake overheats.
- The vehicle is stopped on a steep slope.

Even in these cases, the electronic parking brake will operate. However, use tire stops because the vehicle may move.

● When starting the hybrid system, if you operate the electronic parking brake switch, the electronic parking brake indicator light may flash temporarily. However, this is not a malfunction if the light turns off after the electronic parking brake is deactivated.

#### ▼ Automatic release function by accelerator pedal

The electronic parking brake system has an automatic release function. The parking brake will be automatically released by depressing the accelerator pedal. However, the automatic release function does not operate under the following conditions.

- Any door is open.
- The driver's seatbelt is not fastened.
- The select lever is in the "P" or "N" position.

If the parking brake is automatically released, the electronic parking brake indicator light and the indicator light on the parking brake switch turn off.

### NOTE

While pulling up the parking brake switch, the parking brake will not be automatically released even when the accelerator pedal is depressed.

#### ▼ Hill Holder function



### WARNING

When stopping on an uphill slope with the Hill Holder function activated, release the brake pedal after the electronic parking brake indicator light has illuminated. Otherwise, the Hill Holder function may not operate properly and an accident may occur.

The electronic parking brake system has a Hill Holder function. If the Hill Holder function is activated, the parking brake will be automatically applied when stopping on

an uphill slope with the brake pedal depressed. In this case, the electronic parking brake indicator light and the indicator light on the parking brake switch illuminate.

The Hill Holder function also activates when driving uphill in reverse.

### NOTE

● The Hill Holder function may not activate on a gentle uphill slope. In this case, manually apply the electronic parking brake.

● If you do not depress the brake pedal sufficiently, the Hill Holder function may not operate properly. However, this is not a malfunction. When stopping on an uphill slope, depress the brake pedal firmly and release it after the electronic parking brake indicator light illuminates.

● Depending on the condition of the road surface and braking force, the brakes operate temporarily and feel different than usual.

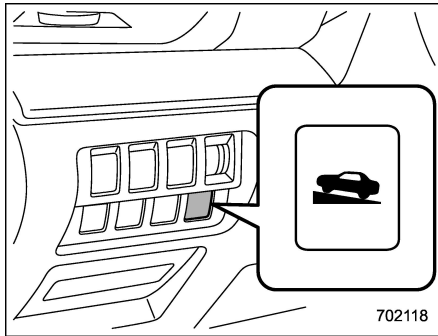
● When the electronic parking brake system has a malfunction while the Hill Holder function is activated, a chirp sound is heard, the Hill Holder indicator light turns off and the electronic parking brake warning light illuminates.

● If the Hill Holder function activates

automatically and the driver releases the function manually and continues to park, the function will not activate automatically again. In this case, operate the electronic parking brake manually to activate the function.

- If the driver does not fasten the seatbelt when the Hill Holder function is activated, the vehicle may not start moving smoothly from a stop, or a noise may be heard from the brake components.

▽ Hill Holder switch



Hill Holder switch

You can activate/deactivate the Hill Holder function by pressing the Hill Holder switch.

**To activate:** Press the Hill Holder switch.

**To deactivate:** Press the Hill Holder

switch again.

Deactivate the Hill Holder function under the following conditions.

- When towing a trailer
- When carrying a heavy load
- When you do not frequently use the parking brake when stopping on an uphill slope.

**NOTE**

- If the Hill Holder switch is pressed for more than 30 seconds, the Hill Holder indicator light turns off, and the system ignores any further pressing of the switch. To activate the switch again, turn the ignition switch to the "OFF" position and restart the hybrid system.

- When the Hill Holder function is deactivated while the Hill Holder function has a malfunction, if you press the Hill Holder switch, a chirp sounds.

▽ Hill Holder indicator light

Refer to "Hill Holder indicator light" P192.

▼ Emergency brake



Use the emergency brake only in

case of an emergency. If the emergency brake is excessively used, the brake parts will wear down faster or the brake may not work sufficiently due to rear wheel brake overheating.

**NOTE**

While using the emergency brake, the electronic parking brake indicator light and the indicator light on the parking brake switch illuminate and a chirp sounds.

If the foot brake has a malfunction, you can stop the vehicle by pulling the parking brake switch continuously.

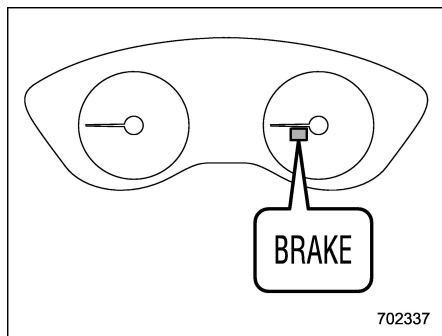
While applying the emergency brake, the electronic parking brake indicator light and the indicator on the parking brake switch illuminate and a chirp sounds.

▼ Electronic parking brake system warning



If the electronic parking brake indicator light flashes, the electronic parking brake system may be malfunctioning. Immediately stop your vehicle in the nearest safe location and we recommend that you contact your SUBARU dealer.

Starting and operating



### Brake system warning light

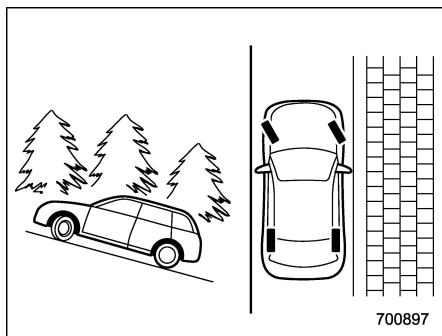
If a malfunction occurs in the electronic parking brake system, the brake system warning light turns on. Refer to “Brake system warning light” P189.

### ■ Parking tips

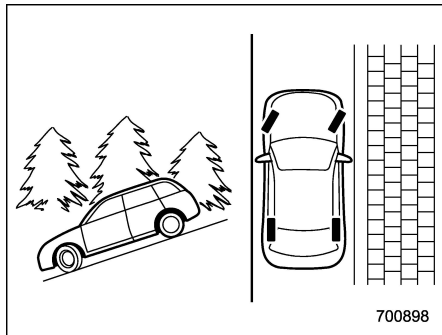
When parking your vehicle, always perform the following items.

- Apply the parking brake.
- Put the select lever in the “P” (Park) position.

Never rely on the mechanical friction of the transmission alone to hold the vehicle.



When parking on a hill, always turn the steering wheel. When the vehicle is headed up the hill, the front wheels should be turned away from the curb.



When facing downhill, the front wheels should be turned into the curb.

## 7-15. BSD/RCTA

The BSD/RCTA consists of rear radar with Blind Spot Detection and Rear Cross Traffic Alert.

These functions enable the system to detect objects or vehicles to the rear, drawing attention to the driver when changing a lane or when driving in reverse.



### WARNING

**The driver is responsible for driving safely. Always be sure to check the surroundings with your eyes when changing lanes or reversing the vehicle.**

**The system is designed to assist the driver to change lanes or reverse safely by monitoring the rear and side areas of the vehicle. However, you cannot rely on this system alone in assuring the safety during a lane change or reversing. Overconfidence in this system could result in an accident and lead to serious injury or death. Since the system operation has various limitations, the flashing or illumination of the BSD/RCTA approach indicator light may be delayed or it may not operate**

at all even when a vehicle is present in a neighboring lane or approaching from either side.

The driver is responsible for paying attention to the rear and side areas of the vehicle.

### ■ System features

BSD/RCTA consists of the following functions.

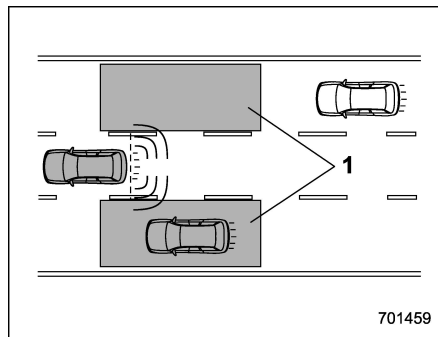
- To detect a vehicle in a blind spot on an adjacent lane or a vehicle approaching at high speed while driving the vehicle (Blind Spot Detection).
- To detect a vehicle approaching from the right or left while reversing the vehicle (Rear Cross Traffic Alert).

The system uses radar sensors for the above functions.

### NOTE

The BSD/RCTA radar sensor has been certified by the radio wave related laws of the U.S. When driving in other countries, certification of the country where the vehicle is driven must be obtained. For certification in the U.S., refer to “Certification for the BSD/RCTA” P322.

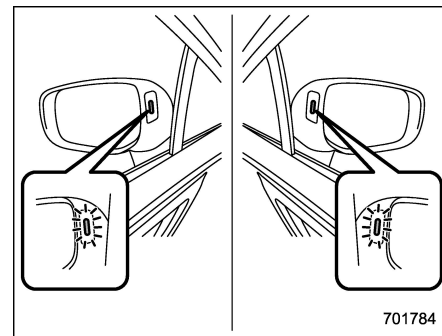
### ▼ Blind Spot Detection (BSD)



1) Operating range

The system warns the driver of dangers as follows.

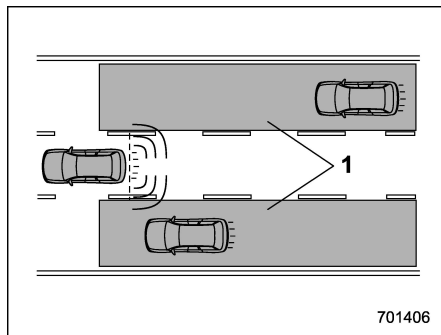
- If the system detects a vehicle existing in the blind spot, the BSD/RCTA approach indicator light(s) on the outside mirror(s) will illuminate.



BSD/RCTA approach indicator light

- If the driver operates the turn signal lever in the direction which the BSD/RCTA approach indicator light is illuminating, the corresponding BSD/RCTA approach indicator light will flash.

### ▽ Lane Change Assist (LCA)

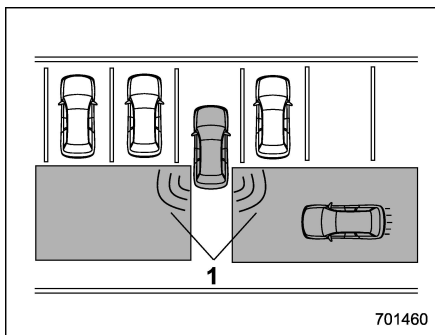


1) Operating range

The system warns the driver of dangers as follows.

- If the system detects a vehicle approaching at a high speed in the neighboring lanes, the BSD/RCTA approach indicator light(s) on the outside mirror(s) will illuminate.
- If the driver operates the turn signal lever in the direction which the BSD/RCTA approach indicator light is illuminating, the corresponding BSD/RCTA approach indicator light will flash.

### ▼ Rear Cross Traffic Alert (RCTA)



1) Operating range

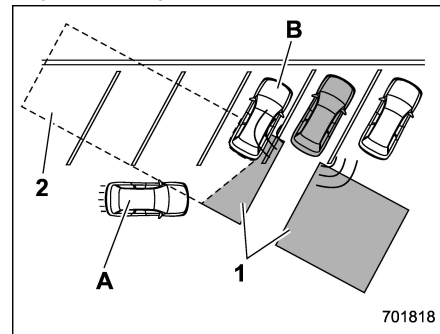
The system notifies the driver of another vehicle approaching from either side when driving in reverse. This feature helps the driver check the rear and side areas of the vehicle when moving backward.

If the system detects a vehicle approaching from either side while moving backward, it warns the driver of dangers in the following way.

- The BSD/RCTA approach indicator light(s) on the outside mirror(s) flashes.
- A warning buzzer sounds.
- An icon appears on the rear view camera screen (audio/navigation monitor)

### ▽ Limitations of the detectability of RCTA

Since the detectability of RCTA is limited, the RCTA may not operate properly in angled parking.



#### Example 1

- 1) The detection range of the radar sensors
  - 2) Area out of detection range of the radar sensors
- A) Vehicle that may not be detected.  
B) Parked vehicle

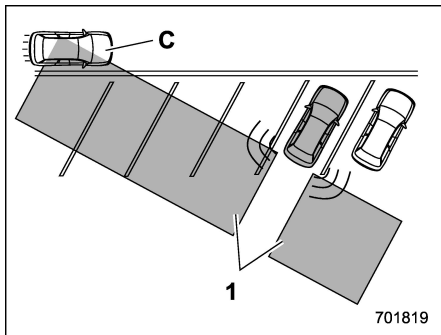


### WARNING

**An approaching vehicle (A) may not be detected because the detection range is limited by the parked vehicle (B). Always be sure to check the surroundings with your eyes when**



reversing the vehicle.



Example 2

- 1) The detection range of the radar sensors
- C) Vehicle that may be detected.

**NOTE**

The system may detect that a vehicle (C) is passing in front of your vehicle. Always be sure to check the surroundings with your eyes when reversing the vehicle.

■ **System operation**

▼ **Operating conditions**

The BSD/RCTA will operate when all of the following conditions are met.

- The ignition switch is in the “ON”

position.

- The BSD/RCTA warning indicator and BSD/RCTA OFF indicator are turned off.
- The vehicle is driven at speeds above 7 mph (12 km/h) (except when reversing).
- The select lever is in the “R” position (when reversing).

The BSD/RCTA will not operate in the following situations.

- The BSD/RCTA OFF indicator is on.
- The vehicle speed is below 6 mph (10 km/h) even when the BSD/RCTA OFF indicator remains off (except when reversing).

**NOTE**

● In the following case, the BSD/RCTA will stop operating and the BSD/RCTA warning indicator will appear. If the BSD/RCTA warning indicator appears, have your vehicle inspected at a SUBARU dealer as soon as possible.

- When a malfunction occurs in the system, including the BSD/RCTA approach indicator light.

● In the following cases, the BSD/RCTA will temporarily stop operating (or may stop operating) and the BSD/RCTA OFF indicator will appear.

- When the radar sensor becomes significantly misaligned (If the or-

ientation of the radar sensor is shifted for any reason, readjustment is required. Have the sensor adjusted at a SUBARU dealer.)

- When a large amount of snow or ice sticks to the rear bumper surface around the radar sensors

– When the vehicle is driven on a snow-covered road or in an environment in which there are no objects around (such as in a desert) for a long time.

– When the temperature around the radar sensors increased excessively due to long driving on uphill grades in summer, etc.

– When the temperature around the radar sensors becomes extremely low.

– When the 12 V battery voltage lowers.

– When the 12 V battery becomes overvoltage.

When the above conditions are corrected, the BSD/RCTA will resume operation and the BSD/RCTA OFF indicator will disappear. However, if the BSD/RCTA OFF indicator has appeared for a prolonged time, have the system inspected at a SUBARU dealer as soon as possible.

- The detectability of the radar sensors is restricted. The BSD/RCTA detection may be impaired and the system may not operate properly under the following conditions.

- When the rear bumper around the radar sensors is distorted.
- When ice, snow or mud adheres to the rear bumper surface around the radar sensors.
- When stickers, etc. are affixed on the areas of the radar sensors on the rear bumper.
- During adverse weather conditions such as rain, snow or fog
- When driving on wet roads such as snow-covered roads and through puddles

- The radar sensors may not detect or may have difficulty detecting the following.

- Small motorcycles, bicycles, pedestrians, stationary objects on the road or road side, etc.
- Vehicles with body shapes that the radar may not reflect (vehicles with a low body height such as sports cars or a trailer with no cargo).
- Vehicles that are not approaching your vehicle even though they are in the detection area (either on a

neighboring lane to the rear or beside your vehicle when reversing). (The system determines the presence of approaching vehicles based on data detected by the radar sensors.)

- Vehicles traveling at significantly different speeds
- Vehicles driving in parallel at almost the same speed as your vehicle for a prolonged time
- Oncoming vehicles
- Vehicles in a lane beyond the neighboring lane
- Vehicles travelling at a significantly lower speed that you are trying to overtake

- On a road with extremely narrow lanes, the system may detect vehicles driving in a lane next to the neighboring lane.

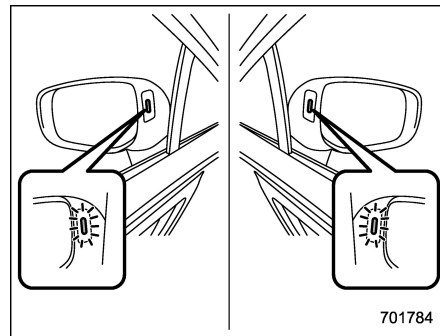
- When the 8-inch audio/navigation system is performing a software update, the RCTA warning icons may not be displayed on the audio/navigation screen until the update is complete.

### ■ BSD/RCTA approach indicator light/warning buzzer

When the BSD/RCTA is active, the BSD/RCTA approach indicator light will operate

to alert the driver when there are vehicles in the neighboring lanes. When reversing the vehicle, the BSD/RCTA approach indicator light and warning buzzer will operate to alert the driver that a vehicle is approaching from the left or right side.

### ▼ BSD/RCTA approach indicator light



#### BSD/RCTA approach indicator light

It is mounted in each side of the outside mirrors.

The indicator light will illuminate when a vehicle approaching from behind is detected.

The indicator light will flash to warn the driver of dangers under the following conditions.

- While the indicator light illuminates, if you operate the turn signal lever toward

the side in which this light turned on.

- When reversing the vehicle while the system detects a vehicle approaching from either side.

▽ **BSD/RCTA approach indicator light dimming function**

When the headlights are turned on, the brightness of the BSD/RCTA approach indicator light will be reduced.

**NOTE**

- **You may have difficulty recognizing the BSD/RCTA approach indicator light under the following conditions.**
  - When affected by direct sunlight
  - When affected by the headlight beams from the vehicles behind
- **While the illumination brightness control dial is in the fully upward position, even if the headlights are turned on, the brightness of the BSD/RCTA approach indicator light will not be reduced. For details about the illumination brightness control dial, refer to “Illumination brightness control” P180.**

▼ **BSD/RCTA approach warning buzzer (only when reversing)**

A warning buzzer sounds along with flashing of the BSD/RCTA approach in-

dicator light to warn the driver of dangers.

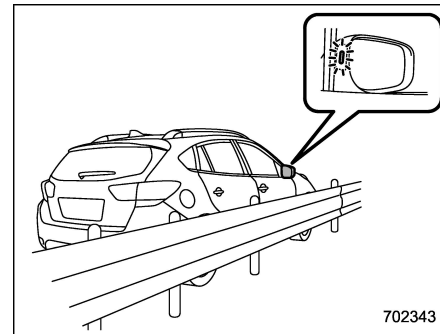
The setting of the warning buzzer volume can be changed by operating the combination meter display (color LCD). For details, refer to “Menu screens” P207.

▼ **Safety tips regarding the BSD/RCTA approach indicator light/warning buzzer**

- In the following cases, operation of the BSD/RCTA approach indicator light and the warning buzzer may be delayed or the system may fail to issue these warnings.
  - When a vehicle moves to the neighboring lane from a lane next to the neighboring lane.
  - When driving on a steep incline or on repeated sharp uphill and downhill grades
  - When going beyond a pass
  - When both your vehicle and a vehicle driving on a neighboring lane are driving on the far side of each lane.
  - When several narrowly-spaced vehicles are approaching in a row.
  - In low radius bends (tight bends or when making turns at an intersection)
  - When there is a difference in height between your lane and the neighboring lane.
  - Immediately after the BSD/RCTA is activated by pressing the BSD/RCTA

OFF switch.

- Immediately after the select lever is shifted to the “R” position.
- When extremely heavy cargo is loaded in the cargo area.
- During reversing, operation of the BSD/RCTA approach indicator light and the warning buzzer may be delayed or the system may fail to issue these warnings under the following conditions.
  - When backing out of an angled parking space
  - When a large-sized vehicle is parked next to your vehicle (That vehicle prevents the propagation of radar waves.)
  - When reversing on sloped roads
  - When reversing at a high speed



- The BSD/RCTA approach indicator

light may illuminate when driving close to solid objects on the road or road side (such as guardrails, tunnels and sidewalls).

- The BSD/RCTA approach indicator light may flash when turning at an intersection in urban areas or a multilane intersection.

- The BSD/RCTA approach indicator light may flash and the warning buzzer may sound if a building or a wall exists in the reversing direction.

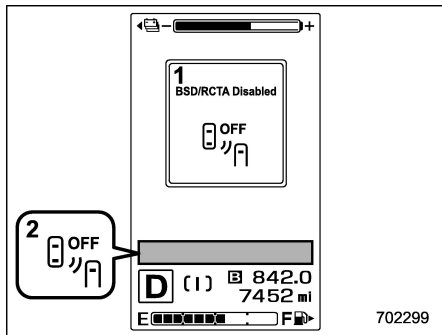
- In the following cases, the system may detect a vehicle driving two lanes away from your vehicle.

- When you are driving on the near side of its lane from the corresponding vehicle.

- When the vehicle driving two lanes away is driving on the near side of its lane from your vehicle.

## ■ BSD/RCTA OFF indicator

### ▼ System temporary stops



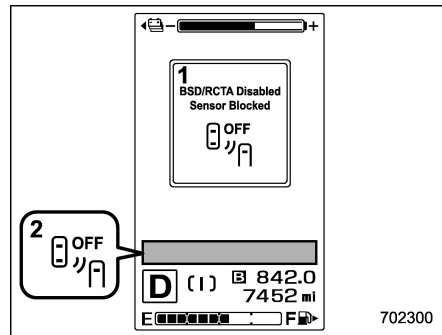
- 1) BSD/RCTA temporary stop message
- 2) BSD/RCTA OFF indicator

This display appears when the system is used under the following conditions.

- Extremely high or low temperatures
- When abnormal voltage exists for the 12 V battery.
- When the radar sensor is significantly misaligned.

Once the above conditions are corrected, the system will recover from the temporary stop condition and the indicator will disappear. If the indicator remains displayed for a prolonged time, have the system inspected at a SUBARU dealer.

### ▼ System temporary stops due to reduced radar sensitivity

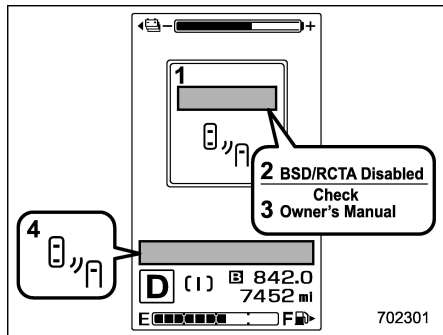


- 1) BSD/RCTA temporary stop message due to reduced radar sensitivity
- 2) BSD/RCTA OFF indicator

This display appears when the detectability of the radar sensors is reduced. Once the condition is corrected, the system will recover from the temporary stop condition and the indicator will disappear. If the indicator remains displayed for a prolonged time, have the system inspected at a SUBARU dealer.

## ■ BSD/RCTA warning indicator

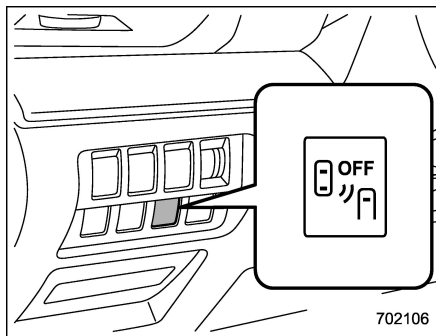
### ▼ System malfunction



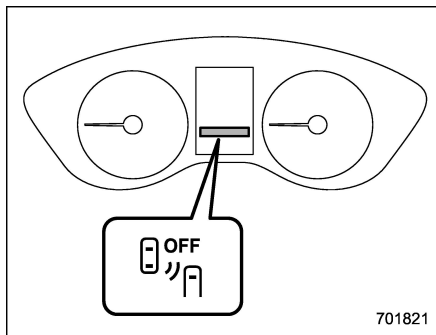
- 1) BSD/RCTA malfunction message
- 2) At first, this message will appear
- 3) Then this message will appear
- 4) BSD/RCTA warning indicator

This display appears when a malfunction occurs in the system. Contact a SUBARU dealer and have the system inspected.

## ■ BSD/RCTA OFF switch



BSD/RCTA OFF switch



BSD/RCTA OFF indicator

If the BSD/RCTA OFF switch is pressed, the BSD/RCTA OFF indicator appears on the combination meter, and the BSD/

RCTA is deactivated.

Press the switch again to activate the BSD/RCTA. The BSD/RCTA OFF indicator will disappear.

When this occurs, the BSD/RCTA approach indicator light on the side of the rearview mirror illuminates for a few seconds and then turns off.

### NOTE

● In the following cases, the system may not operate properly due to blocked radar waves. Press the BSD/RCTA OFF switch to deactivate the system.

- When towing a trailer
- When a bicycle carrier or other carrier item is fitted to the rear of the vehicle.
- When using a chassis dynamometer or free roller device, etc.
- When running the hybrid system and making the wheels rotate while lifting up the vehicle

● If the ignition switch is turned to the “OFF” position, the last known status of the system is maintained. For example, if the ignition switch is turned to the “OFF” position with the BSD/RCTA deactivated, the BSD/RCTA will remain deactivated the next time the ignition switch is turned to the “ON” position.

## ■ Certification for the BSD/RCTA

FCC ID: OAYSRR3A



**CAUTION**

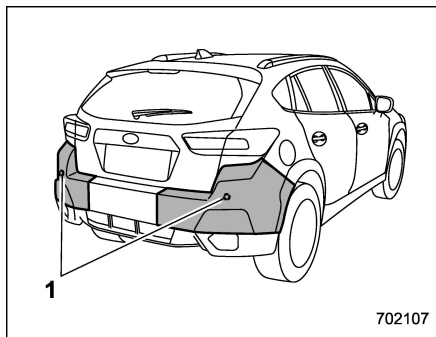
### FCC WARNING

Changes or modifications not expressly approved by the party responsible for compliance could void the user's authority to operate the equipment.

## NOTE

This device complies with part 15 of the FCC Rules. Operation is subject to the following two conditions: (1) This device may not cause harmful interference, and (2) this device must accept any interference received, including interference that may cause undesired operation.

## ■ Handling of radar sensors



1) Sensors

The radar sensors, one on each side of the vehicle, are mounted inside the rear bumper.

To ensure correct operation of the BSD/RCTA, observe the following precautions.

- Always keep the bumper surface near the radar sensors clean.
- Do not affix any stickers or other items on the bumper surface near the radar sensors.
- Do not modify the bumper near the radar sensors.
- Do not paint the bumper near the radar sensors.
- Do not expose the bumper near the radar sensors to strong impacts. If a

sensor becomes misaligned, a system malfunction may occur, including the inability to detect vehicles entering the detection areas. If any strong shock is applied to the bumper, be sure to contact your SUBARU dealer for inspection.

- Do not disassemble the radar sensors.

## NOTE

If the radar sensors require repair or replacement, or the bumper area around the radar sensors requires repair, paintwork or replacement, contact your SUBARU dealer for assistance.

## 7-16. Reverse Automatic Braking System

Reverse Automatic Braking is a system designed to help avoid collisions or reduce collision damage when reversing the vehicle. If a wall or an obstacle is detected in the reversing direction, the system will notify the driver with a warning sound and may activate the vehicle's brakes automatically.



### WARNING

- Reverse Automatic Braking is not a system intended to replace the driver's responsibility to check surrounding areas for vehicles or obstacles to avoid a collision.
- The driver is responsible for driving safely. Before reversing, be sure to first depress the brake pedal and visually check the surroundings.
- There are some cases in which the vehicle cannot avoid collision, because the system operation has limitations. The warning sound or automatic braking may be delayed or may not operate at all even when an obstacle is present.

- The system is not designed to detect people (including children), animals or other moving objects.
- Depending on the vehicle condition or the surrounding environment, the sonar sensor's ability to detect objects may be compromised.

### NOTE

The Reverse Automatic Braking System records and stores the following data when automatic braking operates. It does not record conversations, personal information or other audio data.

- Distance from the object
- Vehicle speed
- Accelerator pedal operation status
- Brake pedal operation status
- Select lever position
- Outside temperature
- The sensitivity setting of the sonar sensors

SUBARU and third parties contracted by SUBARU may acquire and use the recorded data for the purpose of vehicle research and development. SUBARU and third parties contracted by SUBARU will not disclose or provide

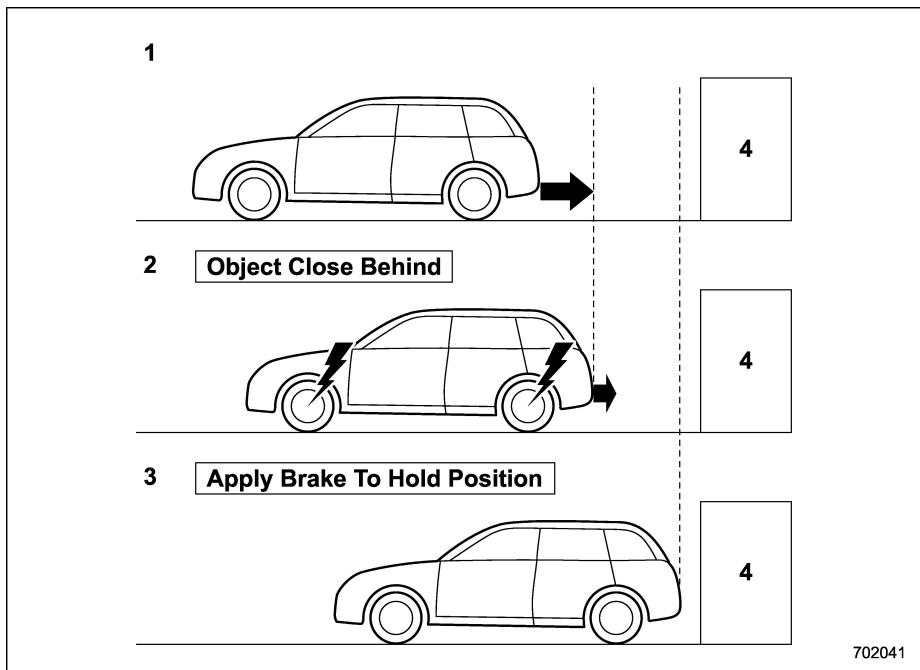
the acquired data to any other third party except under the following conditions.

- The vehicle owner has given his/her consent.
- The disclosure/provision is based on a court order or other legally enforceable request.
- Data that has been modified so that the user and vehicle cannot be identified is provided to a research institution for statistical processing or similar purposes.

### ■ Reverse Automatic Braking System overview

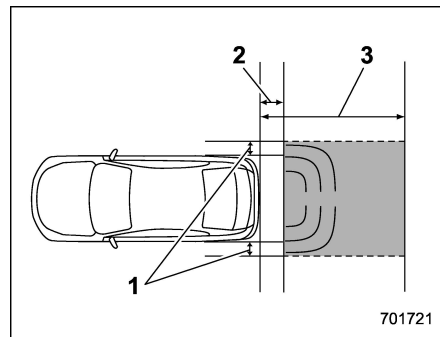
The system detects objects using sonar sensors installed in the rear bumper.

- If the system determines a possible collision with an object in the reversing direction, automatic deceleration will be activated. Also, beeping sounds will activate.
- If the vehicle is further reversed, automatic hard braking will be applied and a continuous beeping sound will activate.



- 1) When reversing
- 2) When either strong automatic braking or torque control is applied to prevent collision (in this case, short warning beeps or continuous warning beeps will sound)
- 3) When the vehicle is stopped by the system (in this case, the continuous beep will remain sounding)
- 4) Object (e.g., a wall)

▼ Detecting range



- 1) Detecting range (width): Approximately 6 in (15 cm) outside of the vehicle width
- 2) Range that the system cannot detect: Approximately 20 in (50 cm) behind the rear of the vehicle
- 3) Detecting range (length): Approximately 5 ft (1.5 m) from the rear of the vehicle

**▲ WARNING**

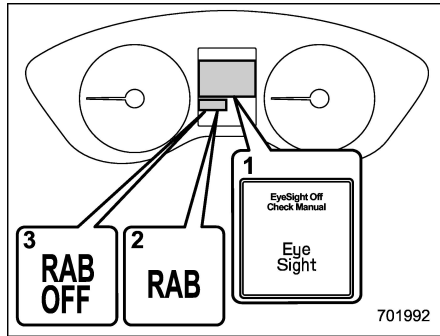
**If your vehicle is trapped on a railroad crossing and you are trying to escape by reversing through the crossing gate, the system may recognize the crossing gate as an obstacle and the brake may activate. In this case, remain calm and either continue to depress the accelerator pedal or cancel the system. To**



cancel the system, refer to “Canceling the Reverse Automatic Braking system operation” P330.

## ■ Operating conditions

The Reverse Automatic Braking system will operate when all of the following conditions are met.



- 1) EyeSight warning indicator
- 2) RAB warning indicator
- 3) RAB OFF indicator

- The ignition switch is in the “ON” position.
- The EyeSight warning indicator is off.
- The RAB warning indicator is off.
- HALT (RAB OFF) indicator is off.
- The Reverse Automatic Braking sys-

tem is set to on.

- The select lever is in the “R” position.
- The vehicle speed is between 1 to 6 mph (1.5 to 15 km/h).

## NOTE

- In the following cases, the Reverse Automatic braking system will not operate. Promptly contact a SUBARU dealer to have the system inspected.
  - The EyeSight warning indicator is illuminated.
  - The Reverse Automatic Braking fail indicator is illuminated.
- When the Reverse Automatic Braking system OFF indicator is illuminated, the Reverse Automatic braking system cannot be operated.
- In the following cases, the system may not be able to properly detect an obstacle. Promptly contact a SUBARU dealer to have the system inspected.
  - A sticker, paint, or a chemical is applied to the sonar sensors or the rear bumper near the sonar sensor
  - The rear bumper is modified.
  - The rear bumper has been removed and reattached.
  - The ground clearance is changed due to the vehicle’s loading condition or modification.
  - Ice, snow or mud is adhered to

- the sonar sensors or the rear bumper near the sonar sensor.
  - The rear bumper is exposed to strong impact, or the rear bumper is deformed.
- When the 8-inch audio/navigation system is performing a software update, the Reverse Automatic Braking System may not display the following items on the audio/navigation screen until the update is complete.
  - Display Icon on/off Function
  - Distance Indicator Image
  - Warning Message
- On a steep hill, the system’s automatic braking ability will be reduced.
- The system is designed to avoid collisions by automatic hard braking when the vehicle’s reversing speed is less than approximately 3 mph (5 km/h). However, the system does not guarantee that the vehicle will be able to avoid collisions in any situation.
- If the vehicle is reversed at an extremely slow speed, the driver’s operation may be prioritized. In this case, automatic braking will not operate.
- The system may not be able to detect the following objects.
  - Sharp or thin objects such as poles, fences and ropes which may

not reflect the sound wave emitted from the sonar sensor.

- Objects that are too close to the rear bumper when the select lever is set to the "R" position.
- Objects with a surface which may not reflect the sound wave emitted from the sonar sensor such as a chain link fence.
- Objects the system is not designed to detect
  - Pedestrians
  - Moving objects including moving vehicles
  - Objects which absorb sound waves such as cloth or snow.
  - Objects whose surface has a diagonal angle.
  - Objects that are low to the ground such as parking blocks.
  - Objects that are high above the ground such as objects hanging from above.
- The system may not be able to properly detect objects or may cause a system malfunction when the following conditions exist.

High frequency sound from other sources are nearby:

- Horn sound from another vehicle.
- Engine sound from other vehi-

cles.

- Sound of an air brake
- Vehicle detection equipment or a sonar from another vehicle
- A sound wave with a frequency similar to the vehicle's system is transmitted nearby.
- A vehicle equipped with the same system is reversing toward your reversing direction.

Weather conditions:

- Extremely high or extremely low temperatures in which the area near the sonar sensor becomes too hot or too cold to operate
- The sonar sensors or the rear bumper near the sonar sensors is exposed to heavy rain or a significant amount of water.
- Fog, snow or sandstorm, etc.
- Air is moving rapidly such as when a strong wind is blowing.

Parts attached to the rear bumper near the sonar sensor:

- Commercial electronic parts (fog light, fender pole, radio antenna) or commercial attachment parts (trailer hitch, bicycle carrier, bumper guard) are attached.
- Parts that emit high frequency

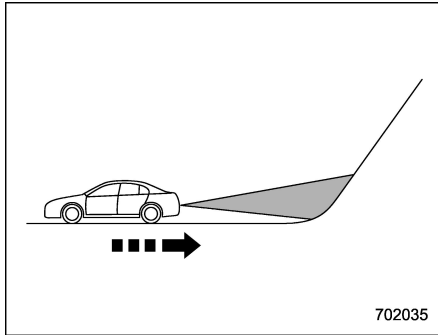
sound, such as a horn or speaker, are attached.

Vehicle conditions:

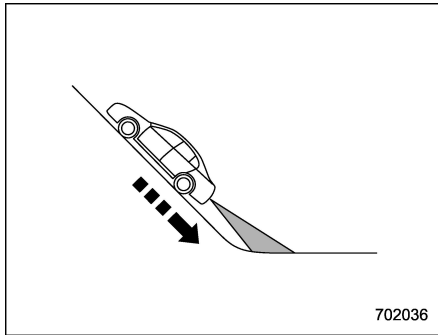
- The vehicle is significantly inclined.
- The ground clearance is significantly reduced due to the vehicle's loading condition, etc.
- When the sonar sensor is misaligned due to a collision or an accident.

Surrounding environment:

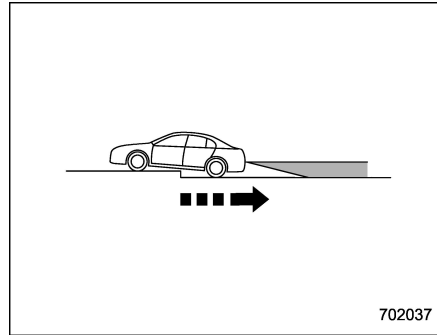
- A cloth banner, flag, hanging branch or railroad crossing bars are present in the reversing direction
- When reversing on a gravel or grassy area.
- When reversing in an area where objects or walls are adjacent to the vehicle such as narrow tunnels, narrow bridges, narrow roads or narrow garages.
- Wheel tracks or a hole is present in the ground of the reversing direction.
- When reversing over a drainage cover (grate cover)



- The path of the reversing direction is inclined such as on a steep uphill.
- A curb is present in the reversing direction.



- When reversing downhill



- When reversing on an uneven road
- In circumstances such as the following, it may not be possible to avoid a collision even when the system operates normally.
  - Roads are slippery.
  - The tire air pressure is not correct.
  - The tires have become worn.
  - Tire chains are installed.
  - Tires which are not the designated size are installed.
  - Emergency repairs were performed using a puncture repair kit.
  - The suspension was modified.
  - Vehicle driving is unstable due to accident or malfunction.

- The brake warning light is illuminated.

## ■ Reverse Automatic Braking System operation

When the Reverse Automatic Braking System is in operation, the range between the vehicle and the detected object will be indicated on the audio/navigation monitor. Also, warning sounds will activate in 3 levels to warn the driver of a potential collision.

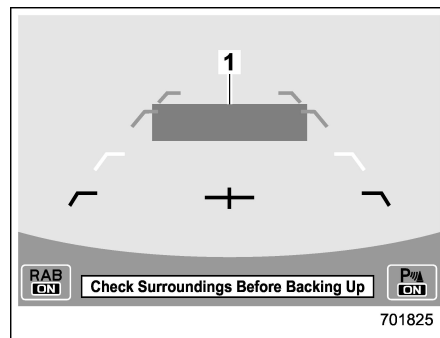
While the RAB is operating, a warning message is displayed on the audio/navigation monitor and the combination meter display (color LCD).

## Guideline of detecting range

Alert level	Range of detected object*	Distance indicator	Alarm pattern
Long proximity (object detected)	35 in (90 cm) or more	Green	No warning sound
Medium proximity alert (approaching the object)	28 to 35 in (70 to 90 cm)	Yellow	Short beeps
Short proximity alert (approaching closer to the object)	20 to 28 in (50 to 70 cm)	Orange	Rapid short beeps
Closest proximity alert (too close to the object)	20 in (50 cm) or less	Red	Continuous beep

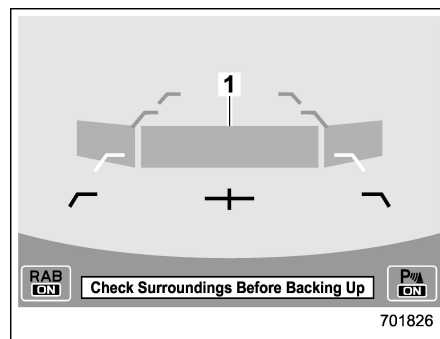
\*: Range of detection may vary depending on the environmental condition.

## ▼ Obstacle detected and alert level



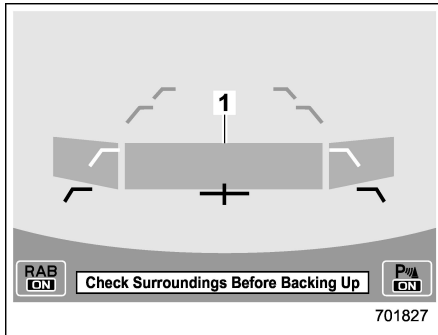
### Long proximity alert (object detected)

1) Green: 35 in (90 cm) or more



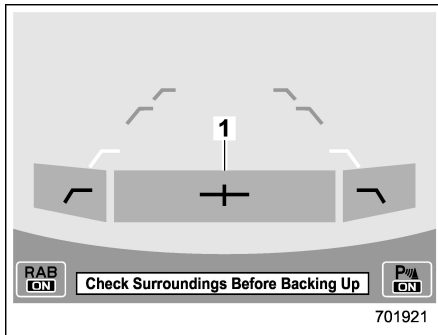
### Medium proximity alert (approaching the object)

1) Yellow: 28 to 35 in (70 to 90 cm)



### Short proximity alert (approaching the object closer)

- 1) Orange: 20 to 28 in (50 to 70 cm)



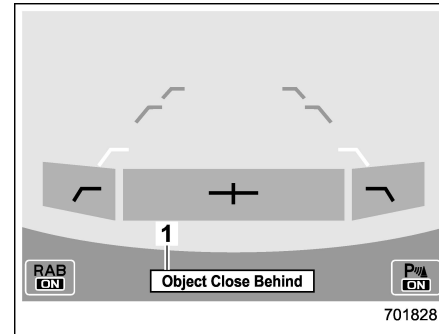
### Closest proximity alert (too close to the object)

- 1) Red: 20 in (50 cm) or less

When an object is detected in the reversing direction, the range of detected object will be shown on the audio/navigation monitor.

A warning alarm will sound and, depending on the speed, either torque control to generate engine braking or automatic braking will be applied.

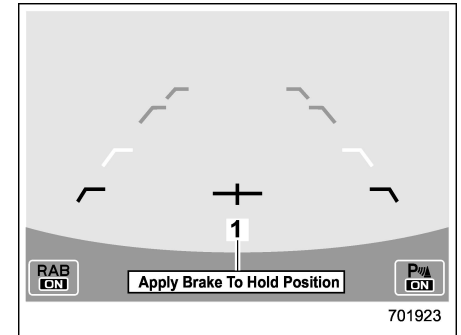
### ▼ Object close behind warning



### Automatic braking warning

- 1) Warning message

If the vehicle continues to go in reverse, the system may determine the risk of collision with the object. In this case, short warning beeps or continuous warning beeps will sound and either strong automatic braking or torque control will be applied to prevent collision.



### Depress brake pedal warning

- 1) Warning message

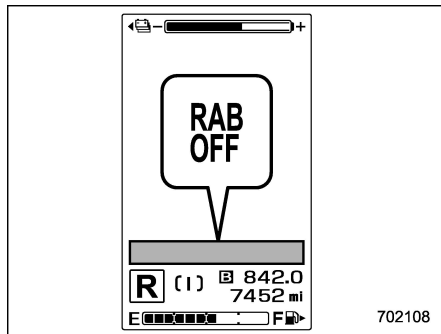
Make sure to depress the brake pedal once the vehicle has been stopped by automatic braking. Until the brake pedal is depressed, a message will be displayed on the audio/navigation monitor and the continuous beep will remain sounding.

At this time, a warning message is also displayed on the combination meter display (color LCD).

**WARNING**

When the vehicle was stopped by automatic braking, be sure to depress the brake pedal right away. There is the risk that the vehicle may start moving.

▼ After the vehicle is stopped by the system



After the brake pedal is depressed, the Reverse Automatic Braking system OFF indicator will illuminate and the system will temporarily stop operating. The Reverse Automatic Braking system OFF indicator will turn off when the select lever is shifted to a position other than the “R” position. The system will operate again the next

time the select lever is shifted to “R” position.

**NOTE**

- After the vehicle has been stopped by the Reverse Automatic Braking system, brake control is released and the electronic parking brake operates in the following cases. For details about releasing the parking brake, refer to “Electronic parking brake” P310.
  - 2 minutes pass after the vehicle is stopped
  - Any door is opened
- The Reverse Automatic Braking system may stop operating temporarily in the following cases and the Reverse Automatic Braking system OFF indicator will illuminate.
  - Ice, snow or mud is adhered to the sonar sensors or the rear bumper near the sonar sensor.
  - Objects are too close to the rear bumper when the select lever is set to the “R” position.
  - The system detects sounds of a similar frequency to the RAB sonar.

## ■ Canceling the Reverse Automatic Braking system operation

The Reverse Automatic Braking system can be temporarily canceled by any of the following operations.

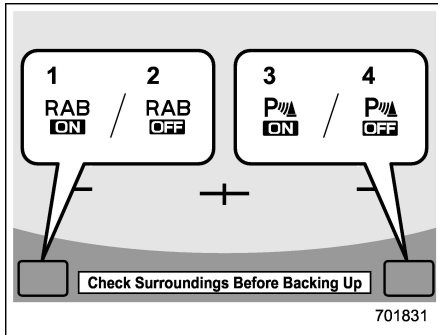
- While the vehicle is stopped by the operation of automatic braking, the brake pedal is depressed.
- While the vehicle is stopped by the operation of automatic braking, the accelerator pedal is depressed.
- The accelerator pedal is kept depressed (In this case, limited acceleration will be canceled and the vehicle will continue reversing.)
- The select lever is shifted to a position other than the “R” position.

**NOTE**

The system will be canceled if the object is no longer detected.

## ■ Reverse Automatic Braking system ON/OFF setting

While the select lever is shifted to the “R” position, the below functions of the Reverse Automatic Braking system can be set by operating the audio/navigation monitor.



- 1) ON setting key of Reverse Automatic Braking
- 2) OFF setting key of Reverse Automatic Braking
- 3) ON setting key of the object detection warning beeping sound
- 4) OFF setting key of the object detection warning beeping sound

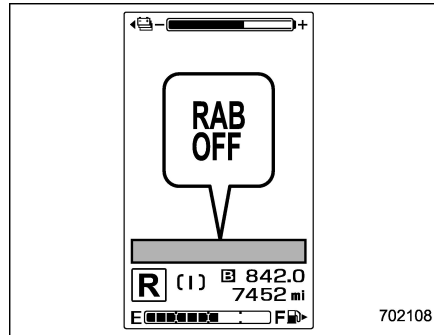
When the ON setting key is shown, the corresponding setting is ON.

Touch and hold the ON setting key to turn the setting OFF.

When the OFF setting is shown, the corresponding setting is OFF.

Touch and hold the OFF setting key to turn the setting ON.

When the Reverse Automatic Braking system is turned OFF, the following indicator will illuminate.



RAB OFF indicator: illuminates when the Reverse Automatic Braking system is turned OFF.

RAB OFF indicator will turn off when the Reverse Automatic Braking system is turned ON.

## NOTE

- When the settings cannot be changed, the ON/OFF setting key will be grayed out.
- The ON/OFF setting key may be grayed out if the Reverse Automatic Braking system malfunctions, etc. In this case, turn the ignition switch to the “OFF” position and then turn it to the “ON” position again. If the setting cannot be changed even after turning the ignition switch to the “ON” position

again, consult your SUBARU dealer.

- The settings will be restored as follows when the select lever is shifted to the “R” position next time.

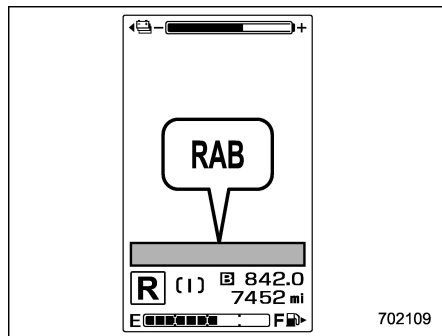
- Reverse Automatic Braking system settings: default (ON setting)
- Object detection warning beeping sound: the setting selected by operating the combination meter display (color LCD)

Also, the following settings can be changed by operating the combination meter display (color LCD).

- Warning volume
- Sonar audible alarm ON/OFF

For details, refer to “Menu screens” P207.

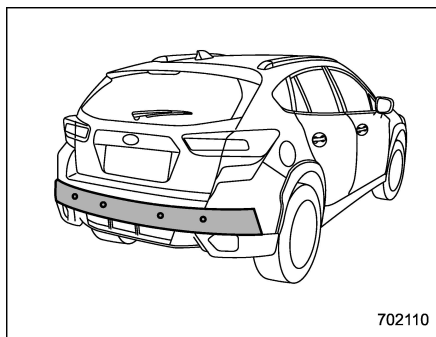
## ■ RAB warning indicator



If the Reverse Automatic Braking System malfunctions, the above indicator illuminates on the combination meter. Contact the nearest SUBARU dealer for details.

## ■ Handling of the sonar sensors

The 4 sonar sensors are located in the rear bumper. To ensure the proper operation of the Reverse Automatic Braking system, observe the following precautions.



- Do not affix any stickers or other items on the sonar sensors or the bumper surface near the sonar sensors.
- Always keep the sonar sensors and the rear bumper surface near the sonar sensors clean.
- Do not modify the rear bumper.
- Do not paint the bumper near the sonar sensors.
- Do not apply strong impacts to the rear bumper near the sonar sensors. If a sensor becomes misaligned, a system malfunction may occur, including inability to detect objects in the reversing direction. If any strong impact is applied to the rear bumper, contact a SUBARU dealer to have the system inspected.
- Do not disassemble the sonar sensors.

## NOTE

If the sonar sensors require repair or replacement, or if the area of the rear bumper near the sonar sensors requires repair, paintwork or replacement, contact your SUBARU dealer for assistance.







- 8-1. New vehicle break-in driving – the first 1,000 miles (1,600 km) ..... 336
- 8-2. Fuel economy hints ..... 336
- 8-3. Engine exhaust gas (carbon monoxide) ..... 336
- 8-4. Catalytic converter ..... 337
- 8-5. Periodic inspections ..... 338
- 8-6. Driving in foreign countries ..... 338
- 8-7. Driving tips for AWD models ..... 338
- 8-8. Off road driving..... 340
  - Before driving..... 340
  - During driving ..... 341
  - After driving ..... 341
- 8-9. Winter driving ..... 342
  - Operation during cold weather..... 342
  - Driving on snowy and icy roads..... 343
  - Corrosion protection..... 344
  - Snow tires ..... 344

- Tire chains ..... 345
- Rocking the vehicle..... 345
- 8-10. Loading your vehicle ..... 346
  - Vehicle capacity weight ..... 346
  - GVWR and GAWR (Gross Vehicle Weight Rating and Gross Axle Weight Rating)..... 347
  - Roof rail..... 348
  - Roof tent..... 348
- 8-11. Trailer hitch (dealer option) ..... 350
  - Connecting a trailer..... 351
  - If not towing a trailer..... 352
- 8-12. Trailer towing ..... 352
  - Warranties and maintenance ..... 353
  - Maximum load limits ..... 353
  - Trailer Hitches..... 356
  - When you do not tow a trailer ..... 357
  - Connecting a trailer..... 357
  - Trailer towing tips ..... 358

## **8-1. New vehicle break-in driving – the first 1,000 miles (1,600 km)**

The performance and long life of your vehicle are dependent on how you handle and care for your vehicle while it is new. Follow these instructions during the first 1,000 miles (1,600 km):

- Do not race the engine.
- Do not drive at one constant engine or vehicle speed, either fast or slow.
- Avoid starting suddenly and rapid acceleration, except in an emergency.
- Avoid hard braking, except in an emergency.

The same break-in procedures should be applied to an overhauled engine, newly mounted engine or when brake pads are replaced with new ones.

## **8-2. Fuel economy hints**

The following suggestions will help to save fuel.

- Avoid sudden acceleration or deceleration. Always accelerate gently until you reach the desired speed. Then try to maintain that speed for as long as possible.
- Do not pump the accelerator and avoid racing the engine.
- Avoid unnecessary engine idling.
- Keep the hybrid system properly tuned.
- Keep the tires inflated to the correct pressure shown on the tire placard, which is located under the door latch on the driver's side. Low pressure will increase tire wear and fuel consumption.
- Use the air conditioner only when necessary.
- Keep the front and rear wheels in proper alignment.
- Avoid carrying unnecessary luggage or cargo.

## **8-3. Engine exhaust gas (carbon monoxide)**



### **WARNING**

- **Never inhale engine exhaust gas. Engine exhaust gas contains carbon monoxide, a colorless and odorless gas which is dangerous, or even lethal, if inhaled.**
- **Always properly maintain the engine exhaust system to prevent engine exhaust gas from entering the vehicle.**
- **Never run the engine in a closed space, such as a garage, except for the brief time needed to drive the vehicle in or out of it.**
- **Avoid remaining in a parked vehicle for a lengthy time while the engine is running. If that is unavoidable, then use the ventilation fan to force fresh air into the vehicle.**
- **Always keep the front ventilator inlet grille free from snow, leaves or other obstructions to ensure that the ventilation system always works properly.**
- **If at any time you suspect that**

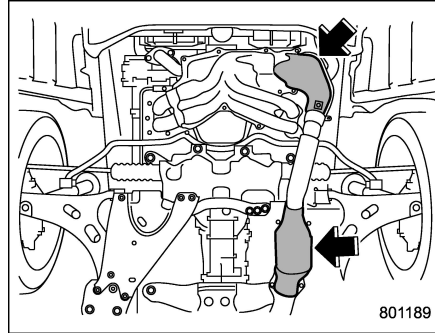
exhaust fumes are entering the vehicle, have the problem checked and corrected as soon as possible. If you must drive under these conditions, drive only with all windows fully open.

- Keep the rear gate closed while driving to prevent exhaust gas from entering the vehicle.

## NOTE

Due to the expansion and contraction of the metals used in the manufacture of the exhaust system, you may hear a crackling sound coming from the exhaust system for a short time after the hybrid system has been shut off. This sound is normal.

## 8-4. Catalytic converter



The catalytic converter is installed in the exhaust system. It serves as a catalyst to reduce HC, CO and NOx in exhaust gases, thus providing cleaner exhaust.

To avoid damage to the catalytic converter:

- Use only unleaded fuel. Even a small amount of leaded fuel will damage the catalytic converter.
- Never start the hybrid system by pushing or pulling the vehicle.
- Avoid racing the engine.
- Never turn the ignition switch to the "OFF" position while the vehicle is moving.
- Keep your engine tuned-up. If you feel the engine running rough (misfiring, back-firing or incomplete combustion), have

your vehicle checked and repaired by an authorized SUBARU dealer.

- Do not apply undercoating or rust prevention treatment to the heat shield of catalytic converter and the exhaust system.
- Do not drive with an extremely low fuel level.



## WARNING

- Avoid fire hazards. Do not drive or park the vehicle anywhere near flammable materials (e.g., grass, paper, rags or leaves), because the catalytic converter operates at very high temperatures.
- Keep everyone and flammable materials away from the exhaust pipe while the hybrid system is running. The exhaust gas is very hot.

## 8-5. Periodic inspections

To keep your vehicle in the best condition at all times, always have the recommended maintenance services listed in the maintenance schedule in the “Warranty and Maintenance Booklet” performed at the specified time or mileage intervals.

## 8-6. Driving in foreign countries

When planning to use your vehicle in another country:

- Confirm the availability of the correct fuel. Refer to “Fuel requirements” P281.
- Comply with all regulations and requirements of each country.

## 8-7. Driving tips for AWD models



### WARNING

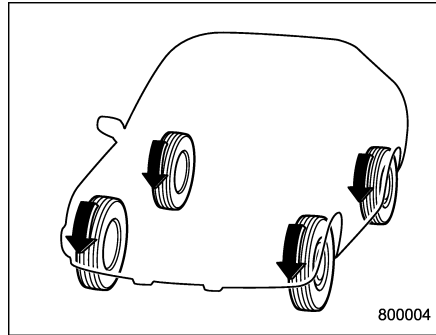
- **Always maintain a safe driving speed according to the road and weather conditions in order to avoid having an accident on a sharp turn, during sudden braking or under other similar conditions.**
- **Always use the utmost care in driving – overconfidence because you are driving an All-Wheel Drive vehicle could easily lead to a serious accident.**
- **When replacing or installing tire(s), all four tires must be the same for following items.**
  - (a) Size
  - (b) Circumference
  - (c) Speed symbol
  - (d) Load index
  - (e) Construction
  - (f) Manufacturer
  - (g) Brand (tread pattern)
  - (h) Degrees of wear

For the items (a) to (d), you must obey the specification that is printed on the tire placard. The tire placard is located on the driver's door pillar.

If all of four tires are not the same for items (a) to (h), serious mechanical damage could occur to the drive train of your car, and affect the following.

- Ride
- Handling
- Braking
- Speedometer/Odometer calibration
- Clearance between the body and tires

It also may be dangerous and lead to loss of vehicle control, and it can lead to an accident.



All-Wheel Drive distributes the hybrid system power to all four wheels. AWD models provide better traction when driving on slippery, wet or snow-covered roads and when moving out of mud, dirt and sand. By shifting power between the front and rear wheels, SUBARU AWD can also provide added traction during acceleration and added engine braking force during deceleration.

Therefore, your SUBARU AWD vehicle may handle differently than an ordinary two wheel drive vehicle and it contains some features unique to AWD. For safety purposes as well as to avoid damaging the AWD system, you should keep the following tips in mind.

- An AWD model is better able to climb steeper roads under snowy or slippery conditions than a two wheel drive vehicle. There is little difference in handling, however, during extremely sharp turns or sudden braking. Therefore, when driving down a slope or turning corners, be sure to reduce your speed and maintain an ample distance from other vehicles.
- Always check the cold tire pressure before starting to drive. The recommended tire pressure is provided on the tire placard, which is located under the door latch on the driver's side.
- Frequent driving of an AWD vehicle under hard-driving conditions such as steep hills or dusty roads will necessitate more frequent replacement of the following items than that specified in the "Warranty and Maintenance Booklet".
  - Engine oil
  - Brake fluid
  - Rear differential gear oil
  - Continuously variable transmission fluid
  - Front differential gear oil
- Never attempt to drive through pools and puddles, or roads flooded with water. Water entering the engine air intake or the exhaust pipe or water splashing onto electrical parts may damage your vehicle and may cause it to stall.

- There are some precautions that you must observe when towing your vehicle. For detailed information, refer to “Towing” P380.

## 8-8. Off road driving

### WARNING

- Always maintain a safe driving speed according to the road and weather conditions in order to avoid having an accident on a sharp turn, during sudden braking or under other similar conditions.
- Always use the utmost care in driving – overconfidence because you are driving an All-Wheel Drive model could easily lead to a serious accident.

### CAUTION

Frequent driving of an AWD model under hard-driving conditions such as rough roads or off roads will necessitate more frequent replacement of the following items than that specified in the maintenance schedule described in the “Warranty and Maintenance Booklet”.

- Engine oil
- Brake fluid

**Remember that damage done to**

**your SUBARU while operating it off-road and not using common sense precautions such as those listed here is not eligible for warranty coverage.**

Because of the AWD feature and higher ground clearance, you can drive your SUBARU on ordinary roads or off-road. But please keep in mind that an AWD SUBARU is a passenger car and is neither a conventional off-road vehicle nor an all-terrain vehicle. If you do take your SUBARU off-road, certain common sense precautions such as those in the following list should be taken.

### ■ Before driving

- Make certain that you and all of your passengers are wearing seatbelts.
- Carry some emergency equipment, such as a towing rope or chain, a shovel, wheel blocks, first aid kit and cell phone or citizens band radio.
- Secure all cargo carried inside the vehicle and make certain that it is not piled higher than the seatbacks. During sudden stops or jolts, unsecured cargo could be thrown around in the vehicle and cause injury. Do not pile heavy loads on the roof. Those loads raise the vehicle’s center of gravity and make it more prone to tip over.



- Never equip your vehicle with tires larger than those specified in this manual.

## ■ During driving

### General precautions:

- Drive carefully. Do not take unnecessary risks by driving in dangerous areas or over rough terrain.
- Slow down and employ extra caution at all times. When driving off-road, you will not have the benefit of marked traffic lanes, banked curves, traffic signs and the like.
- Do not drive across steep slopes. Instead, drive either straight up or straight down the slopes. A vehicle can much more easily tip over sideways than it can end over end. Avoid driving straight up or down slopes that are too steep.
- Avoid sharp turning maneuvers, especially at higher speeds.
- Do not grip the inside or spokes of the steering wheel. A bad bump could jerk the wheel and injure your hands. Instead, drive with your fingers and thumbs on the outside of the rim.
- Do not drive or park over or near flammable materials such as dry grass or fallen leaves, as they may burn easily. The exhaust system is very hot while the engine is running and right after the engine

stops. This could create a fire hazard.

### Precautions when driving under especially dangerous situations:

- If driving through water, such as when crossing shallow streams, first check the depth of the water and the bottom of the stream bed for firmness and ensure that the bed of the stream is flat. Drive slowly and cross the stream without stopping. The water should be shallow enough that it does not reach the vehicle's undercarriage. Water entering the engine air intake or the exhaust pipe or water splashing onto electrical parts may damage your vehicle and may cause it to stall. Never attempt to drive through rushing water; regardless of its depth, it can wash away the ground from under your tires, resulting in possible loss of traction and even vehicle rollover.
- If you must rock the vehicle to free it from sand or mud, depress the accelerator pedal slightly and move the select lever back and forth between "D" and "R" repeatedly. Do not race the hybrid system. For the best possible traction, avoid spinning the wheels when trying to free the vehicle.

## ■ After driving

- Always check your brakes for effectiveness immediately after driving in sand, mud or water. Do this by driving slowly and stepping on the brake pedal. Repeat that process several times to dry out the brake discs and brake pads.
- After driving through tall grass, mud, rocks, sand, rivers, etc., check that there is no grass, bush, paper, rags, stones, sand, etc. adhering to or trapped on the underbody. Clear off any such matter from the underbody. If the vehicle is used with these materials trapped or adhering to the underbody, a mechanical breakdown or fire could occur.
- Wash the vehicle's underbody after off-road driving. Suspension components are particularly prone to dirt buildup, so they need to be washed thoroughly.

## 8-9. Winter driving

### ■ Operation during cold weather

#### ▼ Maintenance

Carry some emergency equipment, such as a window scraper, a bag of sand, flares, a small shovel and jumper cables.

Check the battery and cables. Cold temperatures reduce battery capacity. The battery must be in good condition to provide enough power for cold winter starts.

It normally takes longer to start the hybrid system in very cold weather conditions. Use an engine oil of a proper grade and viscosity for cold weather. Using heavy summer oil will make it harder to start the hybrid system.

Keep the door locks from freezing by squirting them with deicer or glycerin.

Forcing a frozen door open may damage or separate the rubber weather strips around the door. If the door is frozen, use hot water to melt the ice, and afterwards thoroughly wipe the water away.

Use a windshield washer fluid that contains an antifreeze solution. Do not use engine antifreeze or other substitutes

because they may damage the paint of the vehicle.

SUBARU Windshield Washer Fluid contains 58.5% methyl alcohol and 41.5% surfactant, by volume. Its freezing temperature varies according to how much it is diluted, as indicated in the following table.

Washer Fluid Concentration	Freezing Temperature
30%	10.4°F (-12°C)
50%	-4°F (-20°C)
100%	-49°F (-45°C)

In order to prevent freezing of washer fluid, check the freezing temperatures in the table above when adjusting the fluid concentration to the outside temperature. If you fill the reservoir tank with a fluid with a different concentration from the one used previously, purge the old fluid from the piping between the reservoir tank and washer nozzles by operating the washer for a certain period of time. Otherwise, if the concentration of the fluid remaining in the piping is too low for the outside temperature, it may freeze and block the nozzles.



#### CAUTION

- **Adjust the washer fluid concen-**

tration appropriately for the outside temperature. If the concentration is inappropriate, sprayed washer fluid may freeze on the windshield and obstruct your view, and the fluid may freeze in the reservoir tank.

- **State or local regulations on volatile organic compounds may restrict the use of methanol, a common windshield washer anti-freeze additive. Washer fluids containing non-methanol anti-freeze agents should be used only if they provide cold weather protection without damaging your vehicle's paint, wiper blades or washer system.**

#### ▼ Before driving your vehicle

Before entering the vehicle, remove any snow or ice from your shoes because that could make the pedals slippery and driving dangerous.

While warming up the vehicle before driving, check that the accelerator pedal, brake pedal, and all other controls operate smoothly.

Clear away ice and snow that has accumulated under the fenders to avoid making

steering difficult. During severe winter driving, stop when and where it is safe to do so and check under the fenders periodically.

#### ▼ Parking in cold weather



#### WARNING

**Snow can trap dangerous exhaust gases under your vehicle. Keep snow clear of the exhaust pipe and from around your vehicle if you park the vehicle in snow with the hybrid system running.**



#### CAUTION

- **Do not use the parking brake when parking for long periods in cold weather since it could freeze in that position.**
- **When the vehicle is parked in snow or when it snows, raise the wiper blades off the glass to prevent damage to them.**
- **When the vehicle has been left parked after use on roads heavily covered with snow, or has been left parked during a snowstorm, icing may develop on the brake system, which could cause poor**

**braking action. Check for snow or ice buildup on the suspension, disc brakes and brake hoses underneath the vehicle. If there is caked snow or ice, remove it, being careful not to damage the disc brakes and brake hoses and ABS harness.**

When parking for long periods in cold weather, you should observe the following tips.

1. Place the select lever in the “P” position.
2. Use tire stops under the tires to prevent the vehicle from moving.

#### ▼ Refueling in cold weather

To help prevent moisture from forming in the fuel system and the risk of its freezing, use of an antifreeze additive in the fuel tank is recommended during cold weather. Use only additives that are specifically designed for this purpose. When an antifreeze additive is used, its effect lasts longer if the tank is refilled whenever the fuel level reaches half empty.

If your SUBARU is not going to be used for an extended period, it is best to have the fuel tank filled to capacity.

## ■ Driving on snowy and icy roads

To prevent skidding and slipping, avoid sudden braking, abrupt acceleration, high-speed driving, and sharp turning when driving on snowy or icy roads.

Always maintain ample distance between your vehicle and the vehicle ahead of you to avoid the need for sudden braking.

To supplement the foot brake, use the engine brake effectively to control the vehicle speed. (Shift into a lower gear when necessary.)

Avoid shifting down abruptly. Such behavior can cause the wheels to lock, possibly leading to loss of vehicle control.

An anti-lock brake system (ABS) enhances your vehicle’s braking performance on snowy and icy roads. For information on braking on slippery surfaces, refer to “ABS (Anti-lock Brake System)” P300 and “Vehicle Dynamics Control system” P302.



#### WARNING

**Do not use the cruise control on slippery roads such as snowy or icy roads. This may cause loss of vehicle control.**

**CAUTION**

**Avoid prolonged continuous driving in snowstorms. Snow will enter the engine's intake system and may hinder the airflow, which could result in engine shutdown or even breakdown.**

**▼ Wiper operation when snowing**

Before driving in cold weather, make sure the wiper blade rubbers are not frozen to the windshield or rear window.

If the wiper blade rubbers are frozen to the windshield or rear window, perform the following procedure.

- To thaw the windshield wiper blade rubbers, use the defroster with the airflow selection in “ ” and the temperature set for maximum warmth until the wiper blade rubbers are completely thawed. Refer to “Climate control”  $\text{\textcircled{P}}249$ .
- A wiper deicer is helpful to thaw the windshield wiper blade rubbers. Refer to “Defogger and deicer”  $\text{\textcircled{P}}244$ .
- To thaw the rear wiper blade rubbers, use the rear window defogger. Refer to “Defogger and deicer”  $\text{\textcircled{P}}244$ .

When driving in snow, if frozen snow starts to stick on the surface of the windshield

despite wiper operation, use the defroster with the airflow selection in “ ” and the temperature set for maximum warmth. After the windshield gets warmed enough to melt the frozen snow on it, wash it away using the windshield washer. Refer to “Windshield washer”  $\text{\textcircled{P}}241$ .

Snow stuck on the wiper arm prevents the wiper from working effectively. If snow is stuck on the wiper arm, pull off the road to a safe place, then remove it. If you stop the vehicle at road side, use the hazard warning flasher to alert other drivers. Refer to “Hazard warning flasher”  $\text{\textcircled{P}}177$ .

**■ Corrosion protection**

Refer to “Corrosion protection”  $\text{\textcircled{P}}394$ .

**■ Snow tires****WARNING**

- **When replacing or installing winter tire(s), all four tires must be the same for following items.**
  - (a) Size
  - (b) Circumference
  - (c) Speed symbol
  - (d) Load index
  - (e) Construction

- (f) Manufacturer
- (g) Brand (tread pattern)
- (h) Degrees of wear

**For the items (a) to (d), you must obey the specification that is printed on the tire placard. The tire placard is located on the driver's door pillar.**

**If all of four winter tires are not the same for items (a) to (h), serious mechanical damage could occur to the drive train of your car, and affect the following.**

- Ride
- Handling
- Braking
- Speedometer/Odometer calibration
- Clearance between the body and tires

**It also may be dangerous and lead to loss of vehicle control, and it can lead to an accident.**

- **Do not use a combination of radial, belted bias or bias tires since it may cause dangerous handling characteristics and lead to an accident.**

Your vehicle is equipped with “all season tires” as original equipment, which are designed to provide an adequate measure of traction, handling and braking performance in year-round driving. In winter, it may be possible to enhance performance through use of tires designed specifically for winter driving conditions.

When you choose to install winter tires on your vehicle, be sure to use the correct tire size and type. You must install four winter tires that are of the same size, construction, brand and load range and you should never mix radial, belted bias or bias tires since this may result in dangerous handling characteristics. When you choose a tire, make sure that there is enough clearance between the tire and vehicle body.

Remember to drive with care at all times regardless of the type of tires on your vehicle.

## ■ Tire chains



### CAUTION

**Tire chains cannot be used on your vehicle because of the lack of clearance between the tires and vehicle body.**

## NOTE

**When tire chains cannot be used, use of another type of traction device (such as spring chains) may be acceptable if use on your vehicle is recommended by the device manufacturer, taking into account tire size and road conditions. Follow the device manufacturer's instructions, especially regarding maximum vehicle speed.**

**To help avoid damage to your vehicle, drive slowly, readjust or remove the device if it is contacting your vehicle, and do not spin your wheels. Damage caused to your vehicle by use of a traction device is not covered under warranty.**

**Make certain that any traction device you use is an SAE class S device, and use it on the front wheels only. Always use the utmost care when driving with a traction device. Overconfidence because you are using a traction device could easily lead to a serious accident.**

## ■ Rocking the vehicle

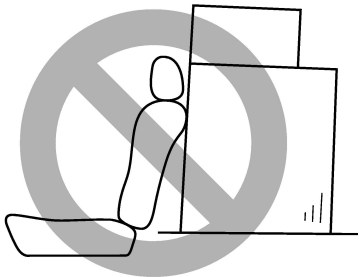
If you must rock the vehicle to free it from snow, sand, or mud, depress the accelerator pedal slightly and move the select lever back and forth between “D” and “R” repeatedly. Do not race the hybrid system.

For the best possible traction, avoid spinning the wheels when trying to free the vehicle.

## 8-10. Loading your vehicle

**WARNING**

- Never allow passengers to ride on a folded rear seatback in the cargo area. Doing so may result in serious injury.
- Never stack luggage or other cargo higher than the top of the seatback because it could tumble forward and injure passengers in the event of a sudden stop or accident. Keep luggage or cargo low, as close to the floor as possible.



100094

**WARNING**

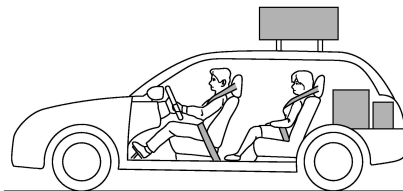
- When you carry something inside the vehicle, secure it whenever you can to prevent it from being thrown around inside the vehicle during sudden stops, sharp turns or in an accident.
- Do not pile heavy loads on the roof. These loads raise the vehicle's center of gravity and make it more prone to tip over.
- Secure lengthy items properly to prevent them from shooting forward and causing serious injury during a sudden stop.
- Never exceed the maximum load limit. If you do, some parts on your vehicle can break, or it can change the way your vehicle handles. This could result in loss of control and cause personal injury. Also, overloading can shorten the life of your vehicle.
- Do not place anything on the extended cargo area cover. Such items could tumble forward in the event of a sudden stop or a collision. This could cause serious injury.

**CAUTION**

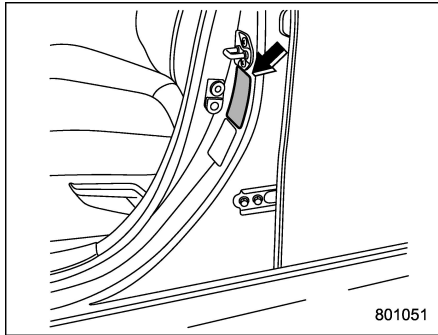
Do not carry spray cans, containers with flammable or corrosive liquids or any other dangerous items inside the vehicle.

**NOTE**

For better fuel economy, do not carry unneeded cargo.

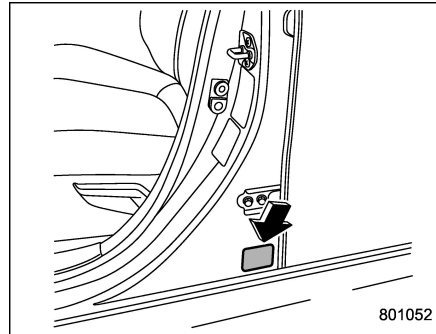
**Vehicle capacity weight**

800440

**Vehicle placard**

The load capacity of your vehicle is determined by weight, not by available cargo space. The maximum load you can carry in your vehicle is shown on the vehicle placard attached to the driver's side door pillar. It includes the total weight of the driver and all passengers and their belongings, any optional equipment such as a trailer hitch, roof rack or bike carrier, etc., and the tongue load of a trailer.

## ■ GVWR and GAWR (Gross Vehicle Weight Rating and Gross Axle Weight Rating)

**Certification label**

The certification label attached to the bottom of driver's side door pillar shows GVWR (Gross Vehicle Weight Rating) and GAWR (Gross Axle Weight Rating).

The GVW (Gross Vehicle Weight) must never exceed the GVWR. GVW is the combined total of weight of the vehicle, fuel, driver, all passengers, luggage, any optional equipment and trailer tongue load. Therefore, the GVW changes depending on the situation. The GVWR equals Curb Weight (actual weight of your vehicle – including standard equipment, fluids and emergency tools plus the

vehicle capacity weight.

In addition, the total weight applied to each axle (GAW) must never exceed the GAWR. The front and rear GAWs can be adjusted by relocating luggage inside the vehicle.

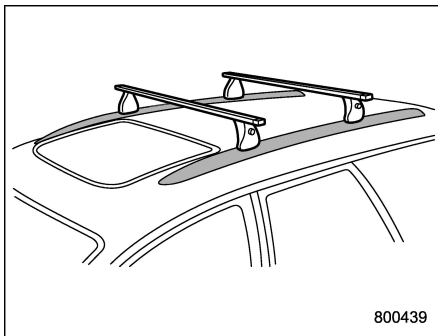
Even if the total weight of your luggage is lower than the vehicle capacity weight, either front or rear GAW may exceed the GAWR, depending on the distribution of the luggage.

When possible, the load should be evenly distributed throughout the vehicle.

If you carry heavy loads in the vehicle, you should confirm that GVW and front and rear GAWs are within the GVWR and GAWR by putting your vehicle on a vehicle scale, found at a commercial weighing station.

Do not use replacement tires with a lower load range than the originals because they may lower the GVWR and GAWR limitations. Replacement tires with a higher load range than the originals do not increase the GVWR and GAWR limitations.

## ■ Roof rail



800439

### 1) Crossbar

Cargo can be carried on the roof after securing the crossbars to the roof rails and installing an appropriate carrying attachment. When installing crossbars and a carrying attachment, follow the manufacturer's instructions. The roof rail system is designed to carry loads (cargo, crossbars and carrying attachment) of no more than **176 lbs (80 kg)**. Be sure not to exceed your vehicle's GVWR and GAWR.



### CAUTION

- When using a carrying attachment, make sure that the total carrying load of the cargo, crossbars and carrying attachment

does not exceed 176 lbs (80 kg). Overloading may cause damage to the vehicle.

- For cargo carrying purposes, the roof rails must be used together with the crossbars and any appropriate carrying attachment that may be needed. The roof rails must never be used alone to carry cargo. Otherwise, damage to the roof or paint, or a dangerous road hazard due to loss of cargo could result.

### ▼ Installing carrying attachments on the roof rack

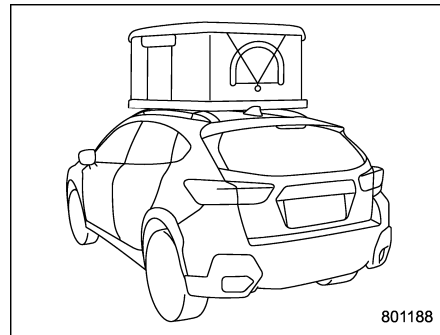
When installing any carrying attachments such as the load carriers, crossbars, bike carrier, ski carrier, kayak carrier, cargo basket, etc., follow the manufacturer's instructions of the load capacity and make sure that the attachments are securely installed. Use only attachments designed specifically for the crossbars. Before operating the vehicle, make sure that the cargo is properly secured on the attachment.

### NOTE

Remember that the vehicle's center of gravity is altered with the weight of the load on the roof, thus affecting driving characteristics.

Drive carefully. Avoid rapid starts, hard cornering and abrupt stops. Crosswind effects will be increased.

## ■ Roof tent



801188



### WARNING

Adding weight to the vehicle's roof can adversely affect handling, braking, and rollover resistance. The vehicle must never be driven with a total roof rail load in excess of 176 lbs (80 kg).



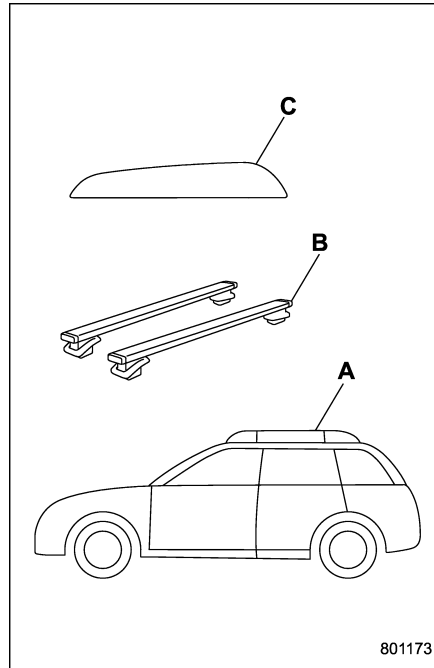
**CAUTION**

- The roof rail load limit for stationary vehicles (700 lbs (317 kg)) applies only when the vehicle is parked and the load is evenly distributed left/right and front/rear and the roof crossbars and roof tent are tightly secured to the vehicle. If these conditions are not met, the load limit will be lower.
- The maximum load limit of the roof crossbars must be obtained from the manufacturer or retailer of the roof rack. When driving the vehicle, the maximum roof rail load is 176 lbs (80 kg) or the crossbar load limit (whichever is lower).

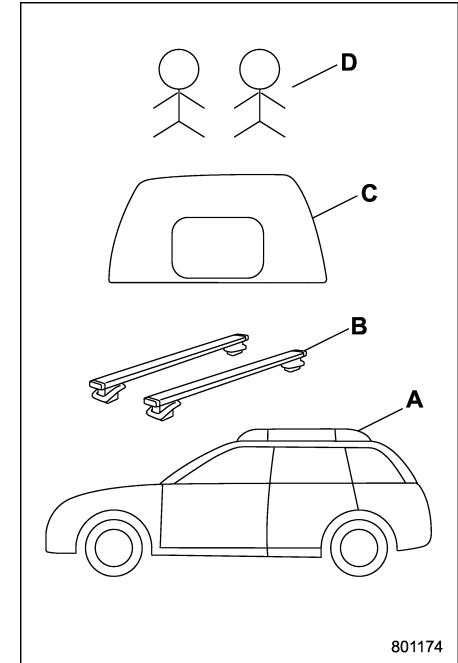
Roof tents may be used under certain conditions at your own risk.

**▼ When driving the vehicle**

The total weight on the roof rails, including the roof crossbars and roof tent, must not exceed the vehicle's roof rail load of 176 lbs (80 kg), evenly distributed.



- A: Roof rails  
 B: Roof crossbars  
 C: Roof tent  
**B + C < 176 lbs (80 kg)**

**▼ When the vehicle is parked on level ground**

- A: Roof rails  
 B: Roof crossbars  
 C: Roof tent  
 D: Occupants in the roof tent

The total weight on the roof rails – including the roof crossbars, roof tent, and all occupants and contents in the roof tent – must not exceed either the vehicle's roof rail load limit (700 lbs (317 kg)), evenly distributed, or the load limit of the roof crossbars, whichever is lower.

**Load limit of the roof rail (A).**  
**B + C + D < 700 lbs (317 kg)**

Exceeding this load limit could cause damage to the vehicle or racking system. The vehicle must never be driven with occupants in the roof tent. Before the vehicle is driven, occupants and cargo must be removed from the roof tent and the roof rail load must be restored to within the roof rail load limit of 176 lbs (80 kg). Refer to the user manual that accompanied the roof tent for important safety information and instructions on the proper installation and use of the tent.

## 8-11. Trailer hitch (dealer option)

 **WARNING**

- Never exceed the maximum weight specified for the trailer hitch. Exceeding the maximum weight could cause an accident resulting in serious personal injuries. Permissible trailer weight changes depending on the situation. For possible recommendations and limitations, refer to "Trailer towing" Ⓞ P352.
- Trailer brakes are required when the towing load exceeds 1,000 lbs (453 kg). Be sure your trailer has safety chains and that each chain will hold the trailer's maximum gross weight. Towing trailers without safety chains could create a traffic safety hazard if the trailer separates from the hitch due to coupling damage or hitch ball damage.
- Be sure to check the hitch pin and safety pin for positive locking placement before towing a trailer. If the ball mount comes off the hitch receiver, the trailer could

get loose and create a traffic safety hazard.

- Although towing regulations for trailer or caravan vehicles vary by state/region, all regulations agree that specifications such as the maximum gross trailer weight must not exceed the lesser of the following:
  - Maximum gross trailer weight
  - Maximum gross tongue weight
  - GVWR
  - GAWR
- Failure to comply with the procedures set forth will not only compromise your safety, but will also negate your insurance coverage and/or may violate the state road and traffic acts and regulations.
- Use only the ball mount supplied with this hitch. Use the hitch only as a weight carrying hitch. Do not use with any type of weight distributing hitch.
- The standard bumper beam must be installed after you remove the trailer hitch. Consult a SUBARU dealer for purchase of a standard

bumper beam if you do not have the original.

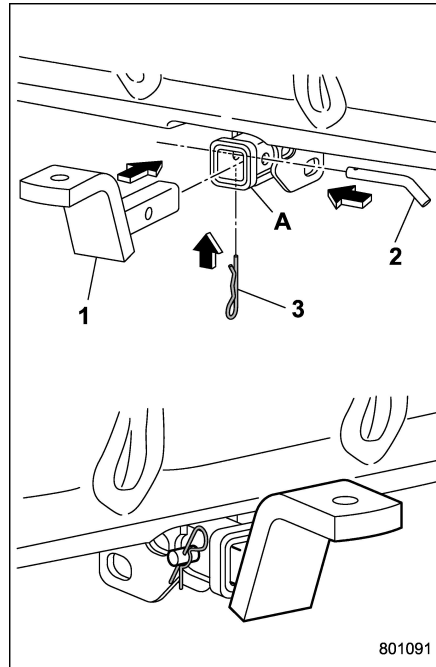
- Safety performance is decreased and there is increased risk of injury to passengers in the case of an accident if the trailer hitch or a standard bumper beam is not installed. One of them must always be installed on the vehicle.
- If a trailer hitch is installed, it is not possible to install the rear towing hook.

The maximum gross trailer weight and maximum gross tongue weight are indicated in the following table.

Maximum gross trailer weight	Maximum gross tongue weight
1,000 lbs (453 kg)	100 lbs (45 kg)

When towing a trailer, refer to "Trailer towing" P352.

## ■ Connecting a trailer



- 1) Ball mount
- 2) Hitch pin
- 3) Safety pin
- A) Hitch receiver tube

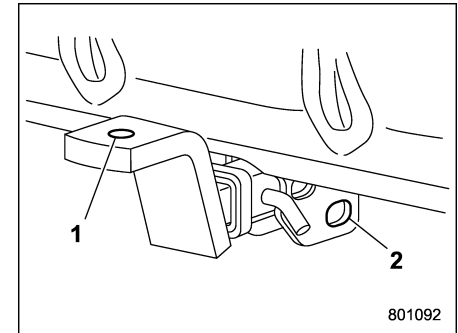
1. Insert the ball mount into the hitch

receiver tube.

2. Insert the hitch pin into the hole located on the hitch receiver tube so that the pin passes through the ball mount.

3. Insert the safety pin through the hole located on the hitch pin securely.

4. Check the ball mount assembly by pulling on it to make sure it does not come off the hitch receiver.



- 1) Hitch ball installation point
- 2) Hooks for safety chains

5. Attach a hitch ball. Use only a hitch ball that is appropriate for the ball mount and your trailer. The hitch ball must be securely installed on the ball mount.

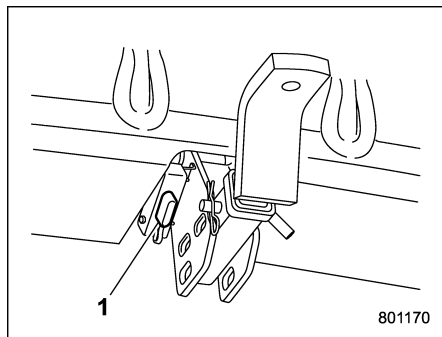
6. Connect your trailer to the hitch ball.

7. Connect the trailer and the hitch with safety chains that will hold the trailer's

maximum gross weight. The chains should cross under the trailer tongue to prevent the tongue from dropping onto the ground in case it should disconnect from the hitch ball. Allow sufficient slack in the chains taking tight turn situations into account; however, be careful not to let them drag on the ground.

**⚠ WARNING**

**Do not connect safety chains to any part of the vehicle other than the safety chain hooks.**



1) Hitch harness connector

8. Connect the hitch wire harness's black four-pin wire connector to the towing trailer's wire harness.

9. Confirm proper function of the hitch wire harness by individually activating the brake, stop and turn signal lights on the trailer.

**NOTE**

**Always disconnect the trailer wire harness before launching or retrieving a watercraft.**

**■ If not towing a trailer**

- Remove the ball mount from the hitch receiver tube and insert the receiver cover onto the hitch receiver tube.
- Place the dust cap over the four-pin connector of the hitch wire harness to protect against possible damage.
- Occasionally lubricate terminals of the four-pin connector using terminal grease.

## **8-12. Trailer towing**

Your vehicle is designed and intended to be used primarily as a passenger-carrying vehicle. Towing a trailer puts additional loads on your vehicle's engine, drivetrain, brakes, tires and suspension and has an adverse effect on fuel economy.

If you do decide to tow a trailer, your safety and satisfaction depend upon proper use of correct equipment and cautious operation of your vehicle. Seek the advice of your SUBARU dealer to assist you in purchasing a hitch and other necessary towing equipment appropriate for your vehicle. Do not use towing equipment other than genuine SUBARU towing equipment. In addition, be sure to follow the instructions for proper installation and use provided by the trailer or caravan's manufacturer.

SUBARU assumes no responsibility for injuries or vehicle damage that result from trailer towing equipment, or from any errors or omissions in the instructions accompanying such equipment or for your failure to follow the proper instructions. Regularly check that the hitch mounting bolts and nuts are tightened securely.

## ■ Warranties and maintenance

SUBARU warranties do not apply to vehicle damage or malfunction caused by trailer towing. If you use your vehicle to tow a trailer, more frequent maintenance will be required due to the additional load. (Refer to “Maintenance schedule under severe driving conditions” in the “Warranty and Maintenance Booklet”.)

Under no circumstances should a trailer be towed with a new vehicle or a vehicle with any new powertrain component (engine, transmission, differential, wheel bearings, etc.) for the first 1,000 miles (1,600 km) of driving.

## ■ Maximum load limits

### ▲ WARNING

Never exceed the maximum load limits explained in the following. Exceeding the maximum load limits could cause personal injury and/or vehicle damage.

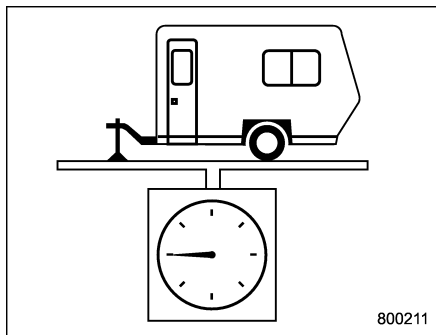
### ▲ CAUTION

- Adequate size trailer brakes are required when the trailer and its cargo exceed 1,000 lbs (453 kg)

total weight.

- Before towing a trailer, check the trailer total weight, GVW, GAWs and tongue load. Make sure the load and its distribution in your vehicle and trailer are acceptable.

### ▼ Total trailer weight

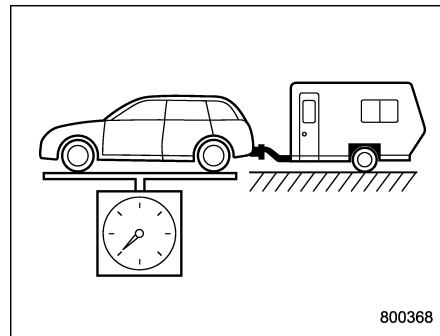


#### Total trailer weight

The total trailer weight (trailer weight plus its cargo load) must never exceed the maximum total trailer weight in the following table.

Conditions	Maximum total trailer weight
When towing a trailer without brakes.	1,000 lbs (453 kg)
When towing a trailer with brakes.	1,000 lbs (453 kg)
When towing a trailer on a long uphill grade continuously for over 5 miles (8 km) with an outside temperature of 104°F (40°C) or above.	750 lbs (340 kg)

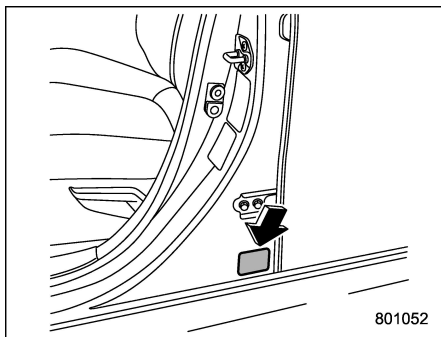
▼ **Gross Vehicle Weight (GVW) and Gross Vehicle Weight Rating (GVWR)**



**Gross Vehicle Weight**

The Gross Vehicle Weight (GVW) must never exceed the Gross Vehicle Weight Rating (GVWR).

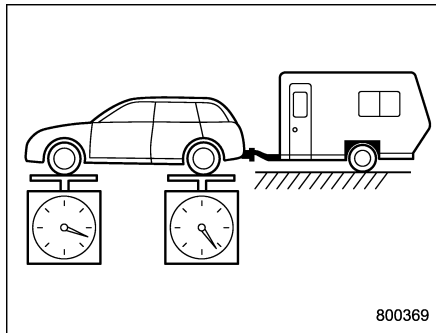
Gross Vehicle Weight (GVW) is the combined total of the weight of the vehicle, driver, passengers, luggage, trailer hitch, trailer tongue load and any other optional equipment installed on your vehicle. Therefore, the GVW changes depending on the situation. Determine the GVW each time before going on a trip by putting your vehicle and trailer on a vehicle scale.



#### Certification label

GVWR of your vehicle that is given by SUBARU is shown on the certification label located at the bottom of driver's side door pillar of your vehicle.

#### ▼ Gross Axle Weight (GAW) and Gross Axle Weight Rating (GAWR)



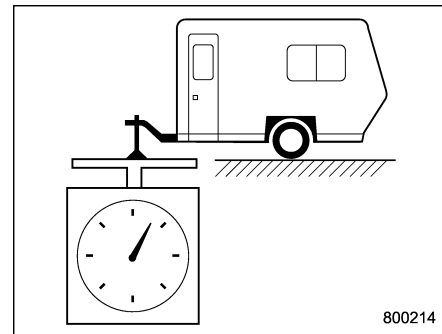
#### Gross Axle Weight

The total weight applied to each axle (GAW) must never exceed the Gross Axle Weight Rating (GAWR). The front and rear GAWs can be adjusted by relocating passengers and luggage inside the vehicle. The front and rear GAWR of your vehicle that is given by SUBARU are also shown on the certification label located at the bottom of driver's side door pillar.

To check both GVWR and GAWR and to confirm that the total weight and weight distribution are within safe driving limits, you should have your vehicle and trailer weighed at a commercial weighing station. Be sure that all cargo is firmly secured to

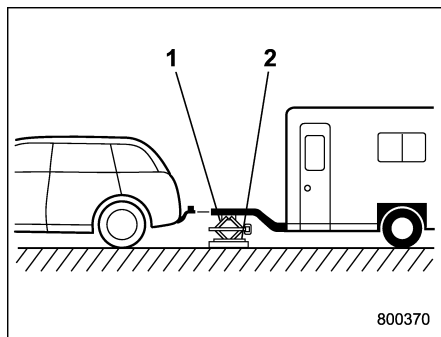
prevent a change in weight distribution while driving.

#### ▼ Tongue load



#### Tongue load

Ensure that the trailer tongue load is from 8 to 11 percent of the total trailer weight and does not exceed the maximum value of 100 lbs (45 kg).

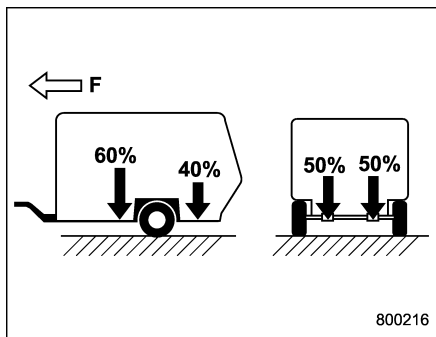


800370

- 1) Jack\*
- 2) Bathroom scale

\*: The jack can be purchased at a SUBARU dealer. When using a general-purpose jack, be sure to use a general-purpose jack that is equivalent to the genuine SUBARU jack.

The tongue load can be weighed with a bathroom scale as shown in the illustration above. When weighing the tongue load, be sure to position the towing coupler at the height at which it would be during actual towing, using a jack as shown.



800216

F: Front

The tongue load can be adjusted by proper distribution of the load in the trailer. Never load the trailer with more weight in the back than in the front; approximately 60 percent of the trailer load should be in the front and approximately 40 percent in the rear. Also, distribute the load as evenly as possible on both the left and right sides. Be sure that all cargo is firmly secured to prevent a change in weight distribution while driving.

### WARNING

If the trailer is loaded with more weight in the back of trailer's axle than in the front, the load is taken off the rear axle of the towing vehicle.

This may cause the rear wheels to skid, especially during braking or when vehicle speed is reduced during cornering, resulting in oversteer, spin out and/or jackknifing.

## ■ Trailer Hitches

### WARNING

Never drill the frame or under-body of your vehicle to install a commercial trailer hitch. If you do, dangerous exhaust gas, water or mud may enter the passenger compartment through the drilled hole. Exhaust gas contains carbon monoxide, a colorless and odorless gas which is dangerous, or even lethal, if inhaled. Also, drilling the frame or under-body of your vehicle could cause deterioration of strength of your vehicle and cause corrosion around the drilled hole.

### CAUTION

- Do not modify the vehicle exhaust system, brake system, or other systems when installing a hitch or other trailer towing



equipment.

- **Do not use axle-mounted hitches as they can cause damage to the axle housing, wheel bearings, wheels or tires.**

Do not use a trailer hitch other than genuine SUBARU trailer hitch. A genuine SUBARU hitch is available from your SUBARU dealer.

### ■ When you do not tow a trailer

#### CAUTION

- **The housing should be kept dirt and corrosion-free at the points of contact. The surfaces only require cleaning with a cloth. Grease or other lubricants should never be used.**
- **If the ball is not installed, the plastic insert should then be inserted for protection and to prevent dirt.**

When the ball is not used, place the ball cap and store securely.

### ■ Connecting a trailer

#### ▼ Trailer brakes

#### WARNING

- **Adequate size trailer brakes are required when the trailer and its cargo exceed 1,000 lbs (453 kg) total weight.**
- **Do not directly connect your trailer's hydraulic brake system to the hydraulic brake system in your vehicle. Direct connection would cause the vehicle's brake performance to deteriorate and could lead to an accident.**

If your trailer's total weight (trailer weight plus its cargo weight) exceeds 1,000 lbs (453 kg), the trailer is required to be equipped with its own brake system. Electric brakes or surge brakes are recommended, and must be installed properly. Check that your trailer's brakes conform with Federal, state/province and/or other applicable regulations. Your SUBARU's brake system is not designed to be tapped into the trailer's hydraulic brake system. Please ask your SUBARU dealer and professional trailer supplier for more information about the trailer's brake system.

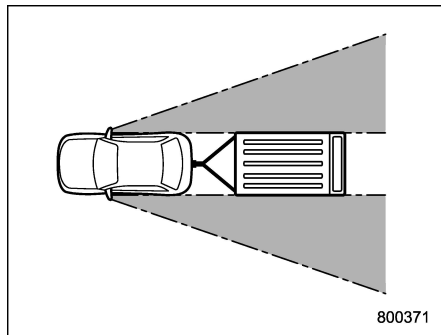
#### ▼ Trailer safety chains

#### WARNING

**Always use safety chains between your vehicle and the trailer. Towing trailer without safety chains could create a traffic safety hazard if the trailer separates from the hitch due to coupling damage or hitch ball damage.**

In case the trailer hitch connector or hitch ball should break or become disconnected, the trailer could get loose and create a traffic safety hazard.

For safety, always connect the towing vehicle and trailer with trailer safety chains. Two chains should be used in total, one to the right side and the other to the left side trailer tongue. Pass the chains crossing each other under the trailer tongue to prevent the trailer from dropping onto the ground in case the trailer tongue should disconnect from the hitch ball. Allow sufficient slack in the chains taking tight turn situations into account; however, be careful not to let them drag on the ground.

▼ **Outside mirrors**

After hitching a trailer to your vehicle, check that the standard outside mirrors provide a good rearward field of view without significant blind spots. If significant blind spots occur with the vehicle's standard outside mirrors, use towing mirrors that conform with Federal, state/province and/or other applicable regulations.

▼ **Trailer lights**
 **CAUTION**

Direct splicing or other improper connection of trailer lights may damage your vehicle's electrical system and cause a malfunction of your vehicle's lighting system.

Connection of trailer lights to your vehicle's electrical system requires modifications to the vehicle's lighting circuit to increase its capacity and accommodate wiring changes. To ensure the trailer lights are connected properly, please consult your SUBARU dealer. Check for proper operation of the turn signals and the brake lights each time you connect a trailer to your vehicle.

▼ **Tires**

Make sure that all the tires on your vehicle are properly inflated. Refer to "Tires" ☞ P444.

Trailer tire condition, size, load rating and proper inflation pressure should be in accordance with the trailer manufacturer's specifications. Also check federal, state, province and/or other applicable regulations.

In the event your vehicle gets a flat tire when towing a trailer, ask a commercial road service representative or professional to repair the flat tire.

■ **Trailer towing tips**
 **CAUTION**

- For models equipped with the BSD (Blind Spot Detection) and

**RCTA (Rear Cross Traffic Alert) driving support systems, when towing a trailer, press the BSD/RCTA OFF switch to deactivate the system. The system may not operate properly due to the blocked radar waves. For details about the BSD/RCTA OFF switch, refer to "BSD/RCTA OFF switch" ☞ P321.**

- For models equipped with the RAB (Reverse Automatic Braking) system, consult your SUBARU dealer for additional information about towing a trailer.
- Never exceed 45 mph (72 km/h) when towing a trailer in hilly country on hot days.
- When towing a trailer, steering, stability, stopping distance and braking performance will be different when compared to normal operation. For safety's sake, you should employ extra caution when towing a trailer and you should never drive at excessive speeds. You should also keep the following tips in mind:
- When parking on a steep slope with a trailer attached to your

**vehicle, the braking power of the electronic parking brake may not be sufficient since strong braking power is needed.**

If your vehicle is equipped with SI-DRIVE, and when towing a trailer on an uphill slope, do not drive in the Intelligent (I) mode. It is recommended that you drive in the Sport (S) mode.

However, it is possible to tow a trailer in any mode of the SI-DRIVE on a downhill slope.

#### ▼ Before starting out on a trip

- Check the towing regulations for trailer or caravan vehicles that vary by state/region. Failure to comply with the procedures set forth will not only compromise your safety, but will also negate your insurance coverage and/or may violate the state road and traffic acts and regulations.
- Check that the vehicle and vehicle-to-hitch mounting are in good condition. If any problems are apparent, do not tow the trailer.
- Check that the vehicle rests horizontally with the trailer attached. If the vehicle is tipped sharply up at the front and down at the rear, check the total trailer weight, GVW, GAWs and tongue load again, then

confirm that the load and its distribution are acceptable.

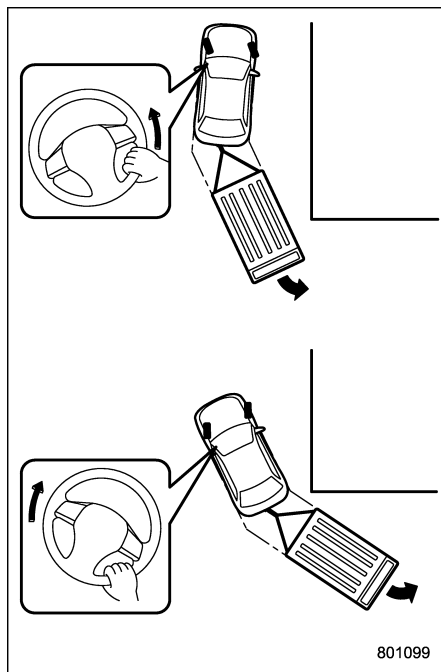
- Check that the tire rating and pressures are correct.
- Check that the vehicle and trailer are connected properly. Confirm that:
  - the trailer tongue is connected properly to the hitch ball.
  - the trailer lights connector is connected properly and trailer's brake lights illuminate when the vehicle's brake pedal is pressed, and that the trailer's turn signal lights flash when the vehicle's turn signal lever is operated.
  - the safety chains are connected properly.
  - all cargo in the trailer is secured safely in position.
  - the outside mirrors provide a good rearward field of view without a significant blind spot.
- Sufficient time should be taken to learn the "feel" of the vehicle/trailer combination before starting out on a trip. In an area free of traffic, practice turning, stopping and backing up.

#### ▼ Driving with a trailer

- You should allow for considerably more stopping distance when towing a trailer. Avoid sudden braking because it may

result in skidding or jackknifing and loss of control.

- Avoid abrupt starts and sudden accelerations.
- Avoid uneven steering, sharp turns and rapid lane changes.
- Slow down before turning. Make a longer than normal turning radius because the trailer wheels will be closer than the vehicle wheels to the inside of the turn. In a tight turn, the trailer could hit your vehicle.
- Crosswinds will adversely affect the handling of your vehicle and trailer, causing sway. Crosswinds can be due to weather conditions or the passing of large trucks or buses. If swaying occurs, firmly grip the steering wheel and promptly begin decelerating your vehicle at a gradual pace.
- When passing other vehicles, considerable distance is required because of the added weight and length caused by attaching the trailer to your vehicle.
- Reversing the vehicle with a trailer can be difficult and requires experience. Never accelerate or steer rapidly, and grip the bottom of the steering wheel with one hand.



To reverse around a corner, perform the following procedure.

1. Reverse slowly and steer in the opposite direction to the way you want to turn.
2. Once the trailer begins to swing around, straighten the steering wheel.

3. Turn the wheel in the opposite direction.

4. Steer the vehicle around to be in line with the trailer, then straighten the steering again.


- If the ABS warning light illuminates while the vehicle is in motion, stop towing the trailer and have repairs performed immediately by your nearest SUBARU dealer.

#### ▼ Driving on grades

- Before going down a steep hill, slow down and shift into lower gear in order to utilize the engine braking effect and prevent overheating of your vehicle's brakes. Do not make sudden downshifts.


- When driving uphill in hot weather, the air conditioner may turn off automatically to protect the engine from overheating.


- When driving uphill in hot weather, pay attention to the following indicators because the engine and transmission are relatively prone to overheating.

: Coolant temperature high warning light

If the coolant temperature high warning light illuminates, immediately turn off the air conditioner and stop the vehicle in the nearest safe location. For further instructions and additional information, refer to the following sections.

- “If you park your vehicle in case of an emergency”  P364

- “Engine and hybrid system overheating”  P378

- “Coolant temperature high warning light”  P185

- Avoid using the accelerator pedal to stay stationary on an uphill slope instead of using the parking brake or foot brake. That may cause the transmission fluid to overheat.

#### ▼ Parking on a grade



#### CAUTION

**The braking power of the electronic parking brake may not be sufficient when strong braking power is needed (e.g., when parking on a steep slope while towing a trailer).**

Always block the wheels under both vehicle and trailer when parking. Apply the parking brake firmly. You should not park on a hill or slope. If parking on a hill or slope cannot be avoided, you should take the following steps:

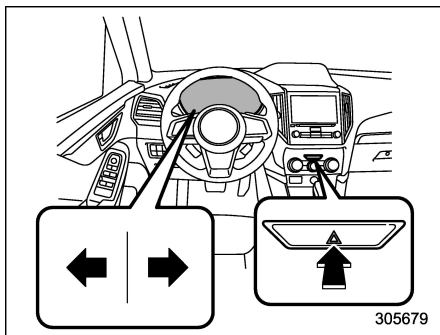
1. Apply the brakes and hold the pedal down.
2. Have someone place wheel blocks under both the vehicle and trailer wheels.

3. When the wheel blocks are in place, release the regular brakes slowly until the blocks absorb the load.
4. Apply the regular brakes and then apply the parking brake; slowly release the regular brakes.
5. Shift into “P” position and shut off the hybrid system.



<b>9-1. If you park your vehicle in case of an emergency.....</b>	<b>364</b>
<b>9-2. Maintenance tools .....</b>	<b>364</b>
Tool locations.....	364
Using the jack (if equipped) .....	365
<b>9-3. Flat tires .....</b>	<b>366</b>
Sealing flat tire .....	366
Tire pressure monitoring system (TPMS).....	374
<b>9-4. Jump starting .....</b>	<b>375</b>
How to jump start.....	376
<b>9-5. Engine and hybrid system overheating .....</b>	<b>378</b>
If steam is coming from the engine compartment .....	378
If no steam is coming from the engine compartment .....	378
If the hybrid system is overheating .....	379
<b>9-6. Towing .....</b>	<b>380</b>
Towing hook and tie-down hooks/holes.....	380
Using a flat-bed truck .....	383
<b>9-7. Electronic parking brake – if the electronic parking brake cannot be released.....</b>	<b>384</b>
<b>9-8. Access key fob – if access key fob does not operate properly .....</b>	<b>384</b>
Locking and unlocking.....	384
Switching power status .....	385
Starting the hybrid system .....	385
<b>9-9. Hybrid system – if the hybrid system does not start .....</b>	<b>386</b>
<b>9-10. Fuel door – if the fuel door cannot be opened .....</b>	<b>386</b>
<b>9-11. Charge port door – if the charge port door cannot be opened .....</b>	<b>387</b>
<b>9-12. Charge cable – if the charge cable cannot be removed .....</b>	<b>388</b>
<b>9-13. Rear gate – if the rear gate cannot be opened .....</b>	<b>388</b>
<b>9-14. Moonroof (if equipped) – if the moonroof does not close.....</b>	<b>389</b>
<b>9-15. If your vehicle is involved in an accident ...</b>	<b>389</b>

## 9-1. If you park your vehicle in case of an emergency



The hazard warning flasher should be used in day or night to warn other drivers when you have to park your vehicle under emergency conditions.

Avoid stopping on the road. It is best to safely pull off the road if a problem occurs.

The hazard warning flasher can be activated regardless of the ignition switch position.

Turn on the hazard warning by pushing the hazard warning flasher switch. Turn it off by pushing the switch again.

### NOTE

When the hazard warning flasher is on, the turn signals do not work.

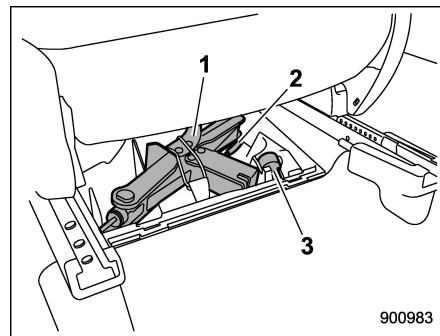
## 9-2. Maintenance tools

Your vehicle is equipped with the following maintenance tools.

- Jack\*
- Jack handle
- Screwdriver
- Towing hook (eye bolt)
- Wheel nut wrench

\*: The jack and the jack strap can be purchased at a SUBARU dealer.

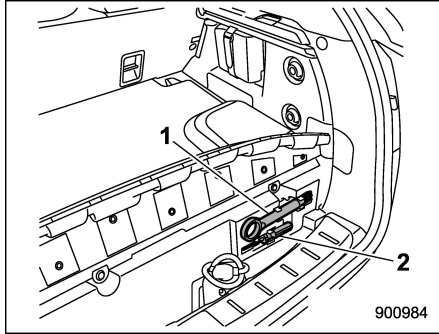
### ■ Tool locations



- 1) Jack (if equipped)
- 2) Jack handle
- 3) Wheel nut wrench



A jack handle, wheel nut wrench, and jack are stored under the left side front seat.

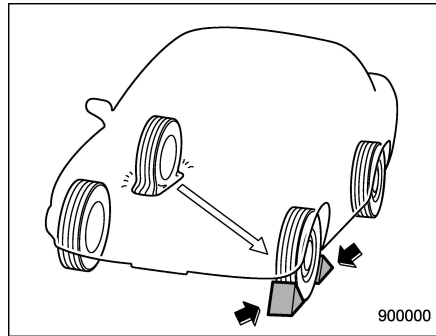


- 1) Towing hook (eye bolt)
- 2) Screwdriver

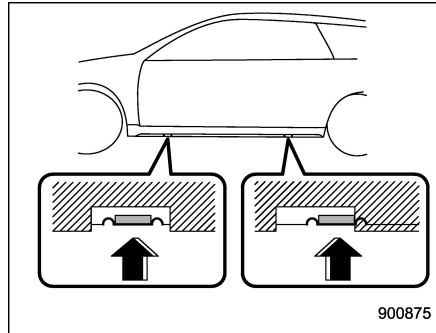
Towing hook and screwdriver are stored under the floor of the cargo area.

### ■ Using the jack (if equipped)

1. Park on a hard, level surface, whenever possible, then stop the hybrid system.
2. Apply the parking brake securely and shift the select lever to the “P” (Park) position.
3. Turn on the hazard warning flasher and unload all occupants and luggage from the vehicle.

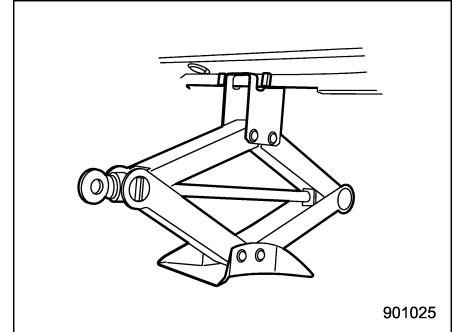


4. Put wheel blocks at the front and rear of the tire diagonally opposite the tire that you are going to replace.
5. Take out the jack, jack handle and wheel nut wrench.

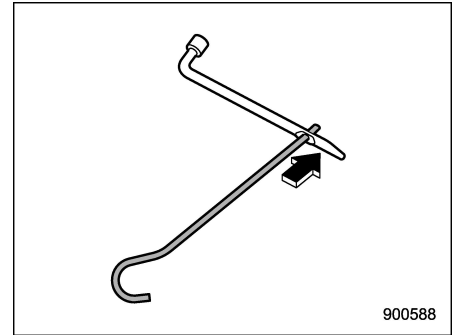


Jack-up points

6. Place the jack under the side sill at the front or rear jack-up point closest to the tire that you are going to replace.



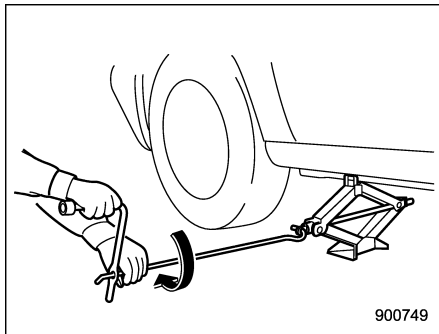
Turn the jackscrew by hand until the jack head engages firmly into the jack-up point.



7. Insert the jack handle into the hole of

In case of emergency

the wheel nut wrench.



8. Insert the jack handle into the jack-screw, and turn the handle until the tire clears the ground. Do not raise the vehicle higher than necessary.

### 9-3. Flat tires

If you have a flat tire while driving, never brake suddenly; keep driving straight ahead while gradually reducing speed. Then slowly pull off the road to a safe place.

#### ■ Sealing flat tire

#### ⚠ WARNING



**Read these instructions and warnings carefully before sealing a flat tire.**

**Compliance with these instructions is vital to ensuring vehicle safety. Noncompliance with these instructions means risking tire damage, which can affect vehicle handling and lead to loss of vehicle control. This may result in serious injury or death.**

If the tire is punctured, you can seal the flat tire temporarily by using the flat tire repair kit. You can seal a flat tire caused, for example, by nails or similar objects with less than 0.2 in (4 mm). However, depending on the type and extent of tire damage,

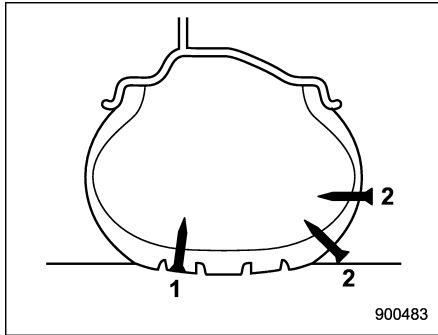
some tires can only be partially sealed or not sealed at all, and this condition may cause a loss of tire pressure. A loss of tire pressure can affect vehicle handling, leading to the loss of vehicle control.

After sealing the flat tire temporarily, change the tires with new ones as soon as possible. We recommend that you have the sealed tire changed by your nearest SUBARU dealer. You may reuse the wheel if the attached sealant is wiped off, but the valve of the wheel must be replaced with a new one. If you reuse the wheel without replacing the valve, air may leak from the valve.

For tire replacement, refer to "Tire replacement" <sup>Ⓔ</sup>P421.

### ▼ Safety precautions when sealing flat tire

Observe the following rules when sealing a flat tire.



- 1) Sealing is possible
- 2) Sealing is not possible

### WARNING

- Do not use the flat tire repair kit in the following cases.
  - The tire has already been damaged as a result of being driven in the under inflated condition.
  - The tire damage is not located within the visible tread of the tire.

- The tire damage is on the sidewall of the tire.
- When the tire has been taken off of the wheel.
- The wheel or the tire valve of the flat tire is damaged.
- Two or more tires have been punctured.
- The expiration date of the sealant has passed.
- The tire is punctured by pointed items such as nails of 0.2 in (4 mm) or larger.
- When inflating the flat tire, if the tire inflation pressure does not reach the green zone of the pressure gauge within 10 minutes, do not continue to seal the tire. We recommend that you contact your SUBARU dealer.
- Drive with caution and avoid making sudden steering or driving maneuvers.
- Do not exceed a maximum speed of 50 mph (80 km/h).
- Do not exceed a maximum driving distance of 125 miles (200 km).
- Do not use tire chains on a sealed tire.

- Do not tow a trailer.
- If used for a purpose other than sealing a flat tire, the flat tire repair kit may cause a severe accident or injury due to the fact that compressed air can act as an explosive or propellant.
- Safely park your vehicle on the roadside so that you do not obstruct the flow of traffic and so that you are able to seal the flat tire without being in danger.
- Apply the parking brake, even if the vehicle is parked on a level road, to make sure that the vehicle will not move.
- Stop the hybrid system before sealing the flat tire.
- Turn on the hazard warning flasher while sealing the flat tire.
- Do not attempt to remove foreign objects like nails or screws that have penetrated the tire. Leave them as they are.
- Never leave the flat tire repair kit unattended while in use.
- Only one tire can be repaired with one bottle of sealant.
- The tires can be repaired when the ambient temperature is  $-22^{\circ}\text{F}$

(-30°C) or higher.

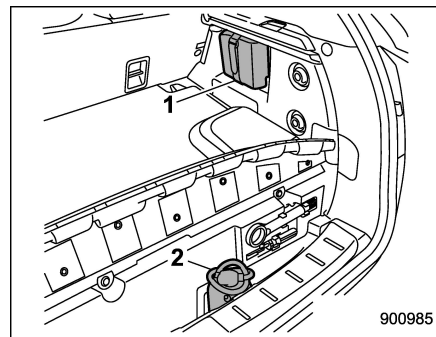
### CAUTION

- Remember that the flat tire repair kit only provides temporary mobility. Regulations concerning tire repair after usage of flat tire repair kit may differ from country to country. We recommend that you consult your SUBARU dealer or tire dealer for advice.
- Store the flat tire repair kit safely and secure it in the cargo area. Storing it anywhere in the passenger compartment is not advisable because it could strike an occupant in the event of a sudden stop or collision and cause injury.
- Use the flat tire repair kit with original vehicle tires only.
- Do not keep the air compressor operating for more than 10 minutes, otherwise there is a risk of overheating.
- The temperature of the air compressor may become high. Be careful not to burn yourself.
- When raining, take measures to prevent the air compressor from

being exposed directly to the rain. Exposing to rain may cause a malfunction.

- Do not use air compressors other than the one in the repair kit. Using an air compressor other than the one in the repair kit may damage the tires.
- Do not disassemble or modify the air compressor to enable the use of a power supply or a battery other than DC12 V.
- If a temporary puncture repair is performed with the repair kit, the Tire Pressure Monitoring System (TPMS) may not operate normally.

### ▼ Location of the flat tire repair kit

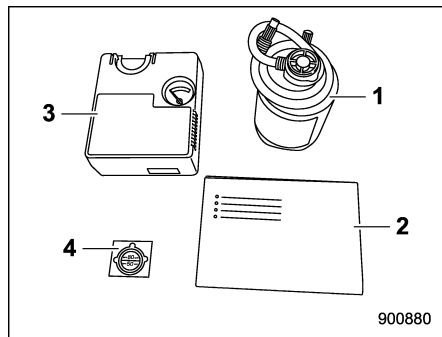


#### Flat tire repair kit

- 1) Air compressor
- 2) Sealant bottle

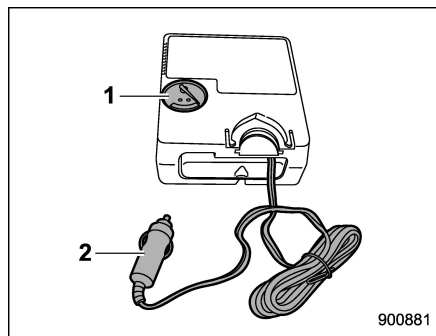
The flat tire repair kit is stored in the portion shown in the illustration.

### ▼ Contents of the flat tire repair kit



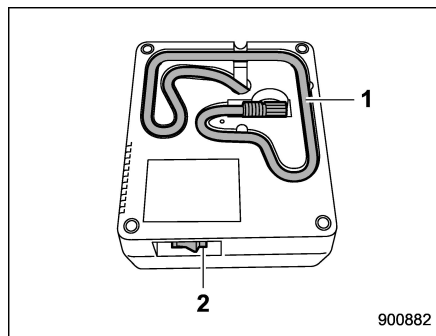
- 1) Sealant bottle
- 2) Quick reference guide
- 3) Air compressor
- 4) Speed limit label

The above repair kits are packed in a plastic bag. Return them to the plastic bag after use.



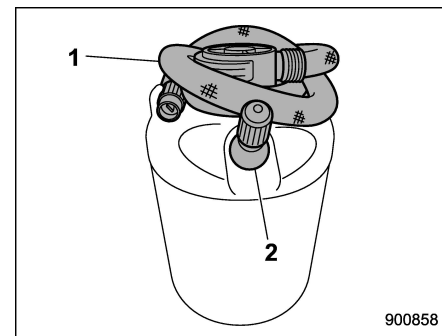
#### Air compressor (front side)

- 1) Air gauge
- 2) Power plug



#### Air compressor (rear side)

- 1) Hose
- 2) Compressor switch



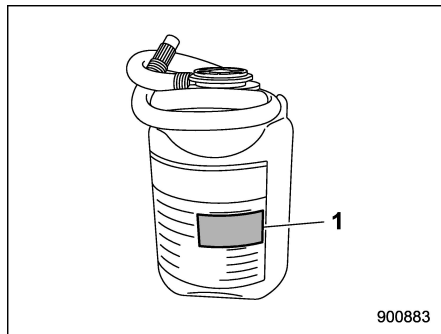
#### Sealant bottle

- 1) Hose
- 2) Valve

### ⚠ WARNING

- Do not drink the sealant. If the sealant is accidentally swallowed, seek medical attention immediately.
- If the sealant splashes onto your skin or eyes, wash it away immediately with plenty of water. If necessary, seek medical attention immediately.
- Keep the flat tire repair kit out of the reach of children.
- If a person who is allergic to natural rubber comes in contact

the sealant, allergy symptoms may occur.



1) Expiration date

**CAUTION**

Replace the sealant bottle with a new one before the expiration date passes.

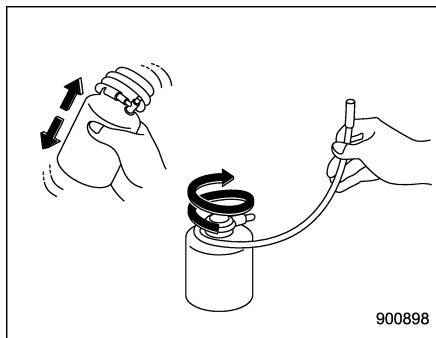
#### ▼ How to seal the flat tire

To seal the flat tire, perform the following steps.

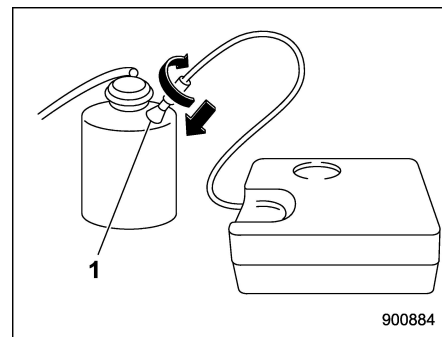
- First, pump in the sealant and air. Drive the vehicle for approximately 10 minutes or 3 miles (5 km) so that the sealant can seal the damaged area.

- Stop the vehicle again, check and, if necessary, adjust the pressure of the damaged tire.
- After that, you can continue to drive carefully no faster than 50 mph (80 km/h) and within the maximum distance of 125 miles (200 km).

Inform all other users of the vehicle that the tire has been temporarily sealed with the flat tire repair kit and make them aware of the special driving conditions to be observed.



1. Shake the sealant bottle well. Loosen the hose.

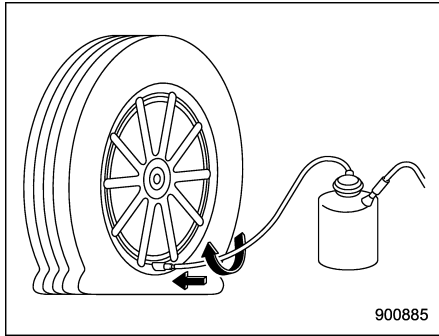


1) Valve

2. Connect the air compressor hose to the valve on the bottle.

**CAUTION**

- Make sure that the air compressor switch is OFF.
- The sealant may leak if the fitting is not tight enough.

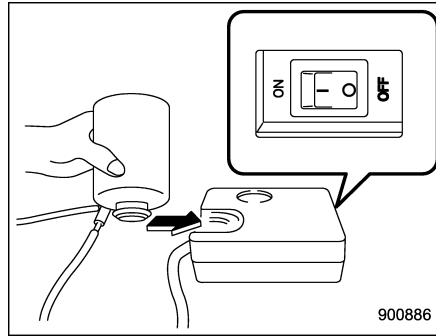


900885

Connect the hose from the bottle to the tire valve stem tightly.

**CAUTION**

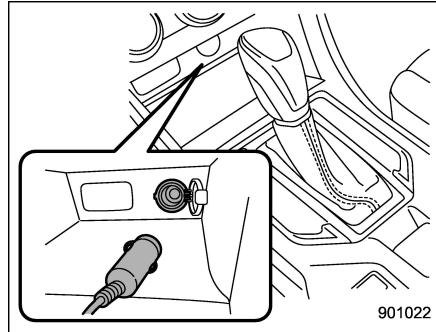
The sealant may leak if the fitting is not tight enough.



900886

3. Turn the bottle upside down and tilt the bottle cap into the bottle holder of the air compressor.

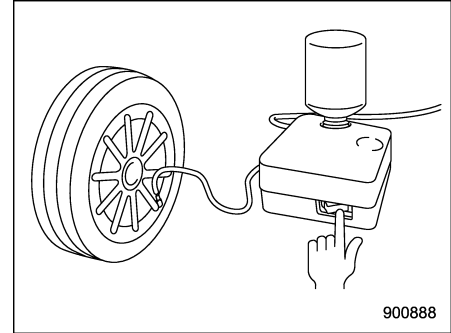
Make sure that the air compressor switch is OFF.



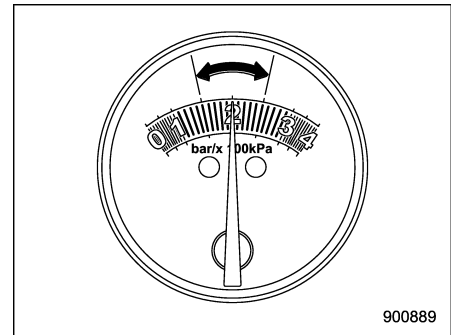
901022

4. Connect the power plug of the air

compressor into the accessory power outlet. Apply the parking brake and turn on the ignition switch to the "ACC" position.



900888



900889

Apply the parking brake and turn on the ignition switch to the "ACC" position. Turn the air compressor switch on and adjust

In case of emergency

the air pressure to the appropriate level (green zone of the air gauge).

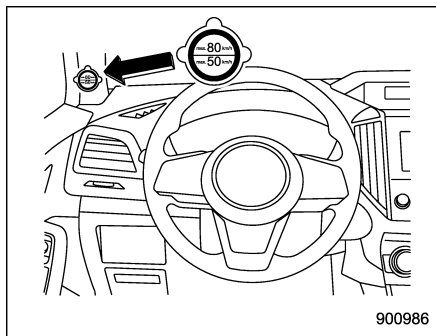
### CAUTION

- Do not run the air compressor for more than 10 minutes as it can get hot. Be careful not to get burned.
- If tire pressure doesn't reach the green zone for 10 minutes, this kit will be unable to seal the tire. Please contact your SUBARU dealer for help.

### NOTE

- After the compressor starts to operate, the air pressure will temporarily rise to 45 psi (300 kPa, 3.0 kgf/cm<sup>2</sup>) or higher. After about 30 seconds when all of the sealant is inside the tire, the air pressure will lower, representing the air pressure in the tire.
- In extremely low temperatures -22°F to -4°F (-30°C to -20°C), the viscosity of the sealant increases and the sealant will flow more slowly. In such temperatures, bring the sealant into the vehicle to warm it up before use.
- When mending the tire, if the air pressure gauge is hard to read, turn the compressor switch off once to get an

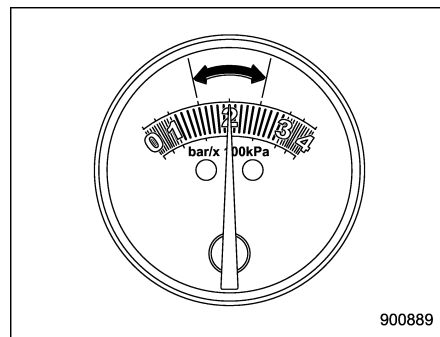
accurate reading.



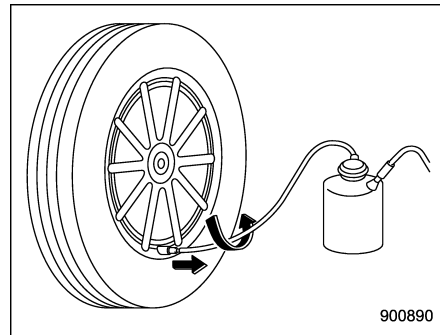
5. While filling the tire with air, attach the speed limit label on the position shown in the illustration.

### WARNING

Do not attach the speed limit label in a position where the label hides the warning lamp or on the steering wheel. It may interfere with the normal operation of the airbag and lead to a critical failure.



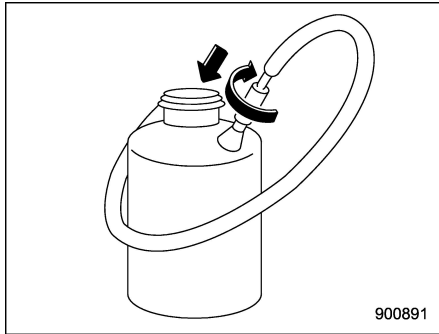
6. Turn the air compressor power switch off when the air pressure reaches the green zone of the air gauge. Remove the power plug from the accessory power socket.



Remove the hose after filling the tire with



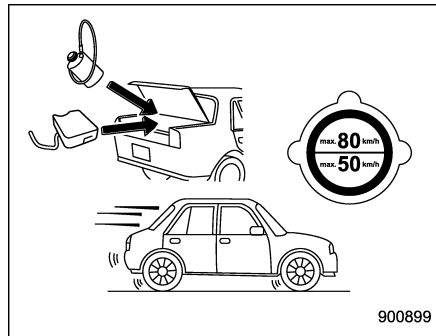
air and fasten the valve cap.



Connect the hose of the bottle to the valve of the bottle in a circular fashion to avoid leakage of the remaining sealant.

**CAUTION**

The sealant may stain clothing.

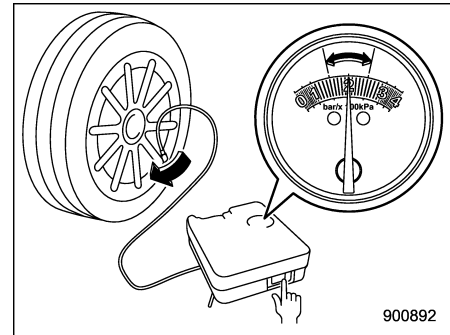


7. Stow the kit back in the vehicle and drive your vehicle immediately for 10 minutes or 3 miles (5 km).

**WARNING**

- Drive carefully. Do not exceed 50 mph (80 km/h). Driving faster than that can result in the vehicle shaking.
- Do not use tire chains on a sealed tire.
- Do not tow a trailer.
- If heavy vibrations, unsteady steering behavior or noises occur while driving, reduce your speed and drive with caution to a location where it is safe for you to stop the vehicle. Recheck the

tire and its pressure. If the tire pressure is in the red zone of the air gauge or if there are any cracks, bumps or similar tire damage visible, temporary repairs cannot be performed with the repair kit. We recommend that you consult with your SUBARU dealer or road service provider.



8. After driving for 10 minutes or 3 miles (5 km), whichever comes first, stop the vehicle in a safe place to recheck the air pressure (see step 4).

If necessary, fill the tire with air to the appropriate air pressure again and drive carefully to the nearest SUBARU dealer for tire, valve stem and sealant bottle replacement.

In case of emergency

**NOTE**

Connect the air compressor only to the tire valve.

 **CAUTION**

- If the air pressure is in red zone of the air gauge, the kit did not successfully seal the puncture. In this case, please stop driving and contact your SUBARU dealer for help.
- Do not drive your vehicle with the sealed tire for more than 125 miles (200 km). Failure to replace the valve stem may result in air leakage at the valve stem.

Before the tire is removed from the rim, inform your SUBARU dealer or other tire dealer that the tire contains sealant.

 **CAUTION**

The sealant bottle and speed limit label need to be replaced after using the flat tire repair kit.

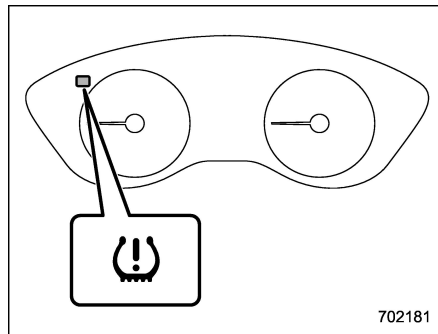
**NOTE**

New sealant and replacement parts can be purchased from your authorized repair shop or SUBARU dealer, and

they should also be installed into the kit by a specialist. Empty sealant bottles and replacement parts must be returned to your SUBARU dealer or disposed of in compliance with local waste disposal regulations.

 **Technical data of air compressor**

Line voltage	DC 12 V
Operating voltage	DC 10 – 15 V
Amperage	Max. 10 A

 **Tire pressure monitoring system (TPMS)**


The tire pressure monitoring system provides the driver with the warning message indicated by sending a signal from a

sensor that is installed in each wheel when tire pressure is severely low.

The tire pressure monitoring system will activate only when the vehicle is driven. Also, this system may not react immediately to a sudden drop in tire pressure (for example, a blow-out caused running over a sharp object).

 **WARNING**

- If the low tire pressure warning light illuminates while driving, never brake suddenly. Instead, perform the following procedure.
  - (1) Keep driving straight ahead while gradually reducing speed.
  - (2) Slowly pull off the road to a safe place. Otherwise an accident involving serious vehicle damage and serious personal injury could occur.
  - (3) Check the pressure for all four tires and adjust the pressure to the COLD tire pressure shown on the vehicle placard on the door pillar on the driver's side.

If this light still illuminates while driving after adjusting the tire pressure, a tire may have signifi-

cant damage and a fast leak that causes the tire to lose air rapidly.

- When a wheel rim is replaced without the original pressure sensor/transmitter being transferred, the low tire pressure warning light will illuminate steadily after blinking for approximately one minute. This indicates the TPMS is unable to monitor all four road wheels. Contact your SUBARU dealer as soon as possible for tire and sensor replacement and/or system resetting.
- When a tire is repaired with liquid sealant, the tire pressure warning valve and transmitter may not operate properly. If a liquid sealant is used, contact your nearest SUBARU dealer or other qualified service shop as soon as possible. Make sure to replace the tire pressure warning valve and transmitter when replacing the tire. You may reuse the wheel if there is no damage to it and if the sealant residue is properly cleaned off.

If the light illuminates steadily after blinking for approximately one minute, promptly contact a SUBARU dealer to have the sys-

tem inspected.

## 9-4. Jump starting

### WARNING

- 12 V battery fluid is **SULFURIC ACID**. Do not let it come in contact with the eyes, skin, clothing or the vehicle.

If battery fluid gets on you, thoroughly flush the exposed area with water immediately. Get medical help if the fluid has entered your eyes.

If battery fluid is accidentally swallowed, immediately drink a large amount of milk or water, and obtain immediate medical help.

Keep everyone including children away from the battery.

- The gas generated by a 12 V battery explodes if a flame or spark is brought near it. Do not smoke or light a match while jump starting.
- Never attempt jump starting if the discharged 12 V battery is frozen. It could cause the battery to burst or explode.
- Whenever working on or around a

12 V battery, always wear suitable eye protectors, and remove metal objects such as rings, bands or other metal jewelry.


- Be sure the jumper cables and clamps on them do not have loose or missing insulation.

Do not jump start unless cables in suitable condition are available.

- A running hybrid system can be dangerous. Keep your fingers, hands, clothing, hair and tools away from the cooling fan, belts and any other moving engine parts. Removing rings, watches and ties is advisable.
- Jump starting is dangerous if it done incorrectly. If you are unsure about the proper procedure for jump starting, consult a competent mechanic.

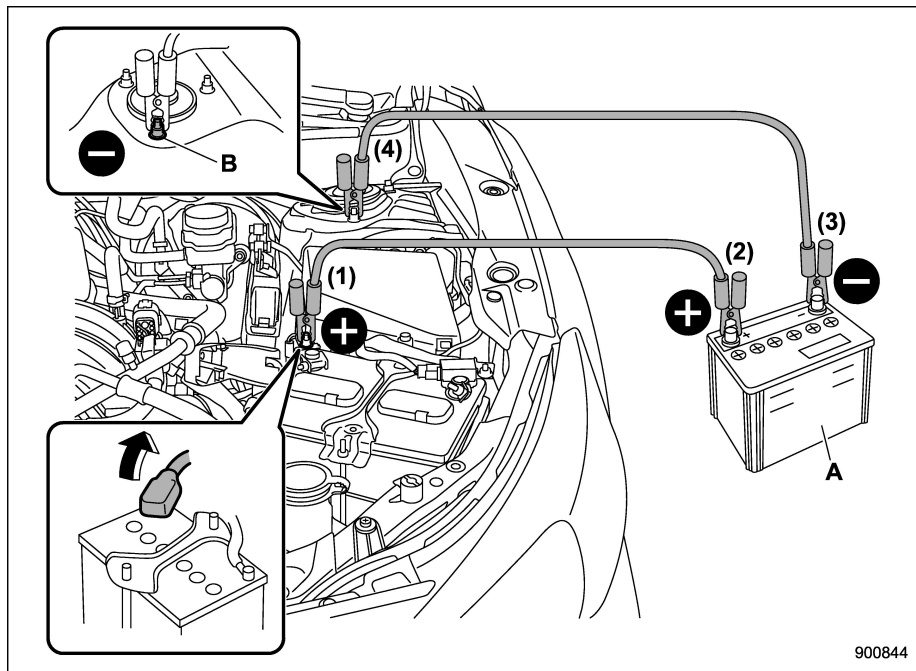
When your vehicle does not start due to a run down (discharged) battery, the vehicle may be jump started by connecting your battery to another battery (called the booster battery) with jumper cables.

## NOTE

If “12 V battery inspection required” is shown on the combination meter (color LCD), the 12 V battery may be degraded. Have the vehicle inspected at a SUBARU dealer as soon as possible. If this is shown on the combination meter (color LCD) and the Hybrid system cannot start, jump start the Hybrid System. Refer to “How to jump start”  P376.

### ■ How to jump start

1. Make sure the booster battery is 12 volts and the negative terminal is grounded.
2. If the booster battery is in another vehicle, do not let the two vehicles touch.
3. Turn off all unnecessary lights and accessories.
4. Connect the jumper cables exactly in the sequence illustrated.



- A) Booster battery  
B) Strut mounting nut

(1) Connect one jumper cable to the positive (+) terminal on the discharged 12 V battery.

(2) Connect the other end of the jumper cable to the positive (+) terminal of the booster battery.

(3) Connect one end of the other cable to the negative (-) terminal of the booster battery.

(4) Connect the other end of the cable to the strut mounting nut of the vehicle with the discharged 12 V battery.

Make sure that the cables are not near any moving parts and that the cable clamps are not in contact with any other metal.

5. Start the engine of the vehicle with the booster battery and run it at moderate speed. Then start the hybrid system of the vehicle that has the discharged 12 V battery.

6. When finished, carefully disconnect the cables in exactly the reverse order.

## 9-5. Engine and hybrid system overheating

### WARNING

- Never attempt to remove the radiator cap and radiator cap for inverter with converter assembly until the hybrid system has been shut off and has fully cooled down. When the engine is hot, the coolant is under pressure. Removing the cap while the engine is still hot could release a spray of boiling hot coolant, which could burn you very seriously.
- After stopping the hybrid system, check that the power status is OFF and the hybrid READY indicator light is off. If the hybrid system is operating, the cooling fan may suddenly begin moving. If this occurs, there is the risk of severe injury caused by a hand or clothing being caught in the fan.

If the engine overheats, safely pull off the road and stop the vehicle in a safe location.

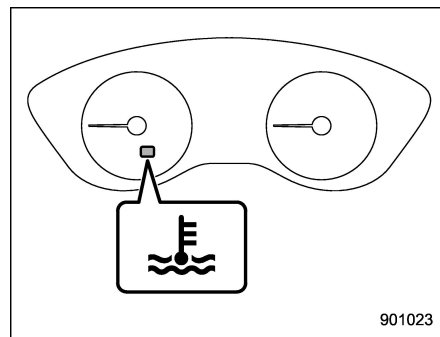
### ■ If steam is coming from the engine compartment

- Turn the ignition switch to the “OFF” position and get everyone away from the vehicle until it cools down.
- Contact an authorized SUBARU dealer.

### ■ If no steam is coming from the engine compartment

1. Keep the hybrid system running at idling speed.
2. Open the engine hood to ventilate the engine compartment. Refer to “Engine hood” [P403](#).

Confirm that the cooling fan is turning. If the fan is not turning, immediately turn off the hybrid system and contact an authorized SUBARU dealer for repair.



3. After the coolant temperature high warning light that has blinked or illuminated in **RED** turns off, turn off the hybrid system. For details about the warning light, refer to “Coolant temperature high warning light” [P185](#).

4. After the engine has fully cooled down, check the coolant level in the reserve tank. If the coolant level is below the “LOW” mark, add coolant up to the “FULL” mark.

### NOTE

For details about how to check the coolant level or how to add coolant, refer to “Engine coolant” [P409](#).

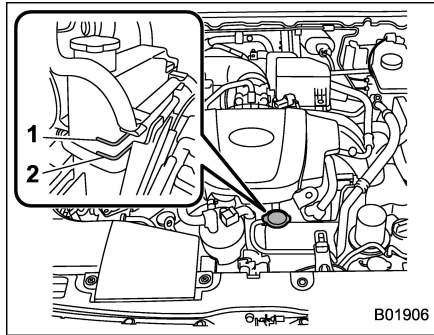
5. If there is no coolant in the reserve tank, add coolant to the reserve tank. Then remove the radiator cap and fill the radiator with coolant.

If you remove the radiator cap from a hot radiator, first wrap a thick cloth around the radiator cap, then turn the cap counter-clockwise slowly without pressing down until it stops. Release the pressure from the radiator. After the pressure has been fully released, remove the cap by pressing down and turning it.

### ■ If the hybrid system is overheating

If the message “Hybrid System Overheated. Reduced Output Power.” appears on the combination meter (color LCD), the hybrid system is overheating. Perform the following actions.

1. Stop the vehicle in a safe location and stop the hybrid system.
2. Open the engine hood to ventilate the engine compartment.
3. After the hybrid system has fully cooled, check that there is no coolant leakage from the radiator core or hoses.



- 1) “FULL” level mark
- 2) “LOW” level mark

4. Check that the level of coolant in the reservoir tank is within the prescribed range.
5. If the level of coolant is insufficient, add coolant. Refer to “Inverter with converter assembly coolant” P410.

### NOTE

**If coolant was added as an emergency measure, have the vehicle inspected at a SUBARU dealer as soon as possible.**

6. When 5 minutes or more have passed after stopping the hybrid system, start the hybrid system. If a warning is not displayed on the combination meter (color LCD), then normal driving is possible. If a

warning is displayed, contact a SUBARU dealer.

### NOTE

**If the warning is displayed frequently during ordinary driving, contact a SUBARU dealer.**



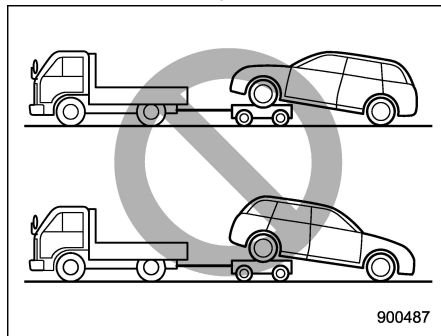
### CAUTION

**Be sure to observe the following in order to prevent damage to the hybrid system.**

- **Add coolant slowly after the hybrid system has fully cooled.**
- **Be sure that no foreign substances enter the coolant.**
- **Do not use any coolant additives.**

## 9-6. Towing

If towing is necessary, it is best done by your SUBARU dealer or a commercial towing service. Observe the following procedures for safety.



### ⚠ WARNING

- **Never tow AWD models with the front wheels raised off the ground while the rear wheels are on the ground, or with the rear wheels raised off the ground while the front wheels are on the ground. This will cause the vehicle to spin away due to the operation or deterioration of the center differential.**

- **If your vehicle needs to be towed, do so with all wheels raised. If the wheels connected to the electric motor (traction motor) are on the ground when towing, the electric motor may continue to generate electricity. This may cause a fire.**

### ■ Towing hook and tie-down hooks/holes

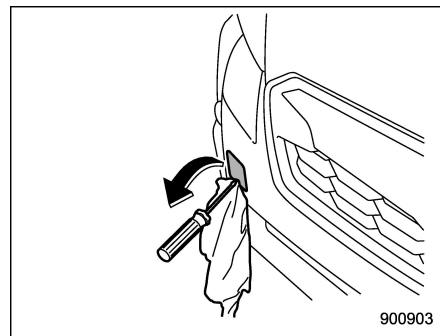
The towing hook should be used only in an emergency.

### ⚠ CAUTION

**Use only the specified towing hooks and tie-down hooks/holes. Never use suspension parts or other parts of the body for towing or tie-down purposes.**

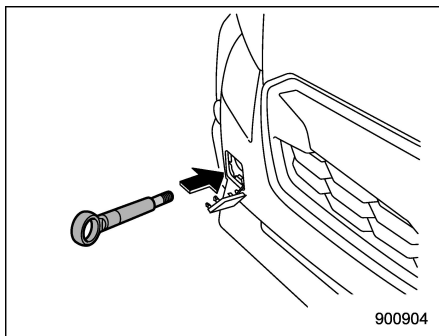
#### ▼ Front towing hook

1. Take out the towing hook, screwdriver and jack handle. For the locations of these tools, refer to “Tool locations” P364.

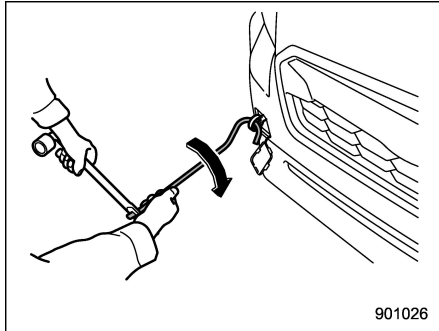


2. Cover the tip of a flat-head screwdriver with vinyl tape or cloth so that it will not scratch the bumper. Insert the flat-head screwdriver into the cutout of the cover and pry open the cover.





3. Screw the towing hook into the thread hole until its thread can no longer be seen.



4. Tighten the towing hook securely using the jack handle and wheel nut wrench.

After towing, remove the towing hook from

the vehicle and stow it in the tool bucket. Fit the towing hook cover on the bumper.

### ⚠ WARNING

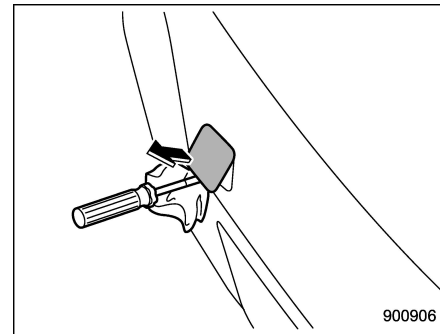
- Do not use the towing hook for purposes other than towing your vehicle.
- Be sure to remove the towing hook after towing. Leaving the towing hook mounted on the vehicle could interfere with proper operation of the SRS airbag system in a frontal collision.

### ⚠ CAUTION

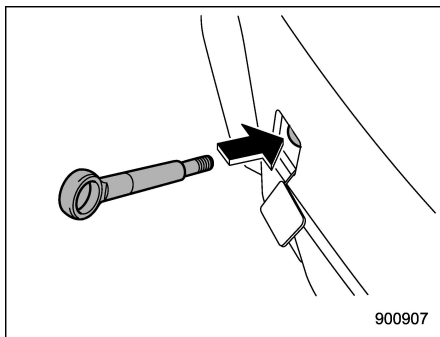
To prevent deformation to the bumper and the towing hook, do not apply excessive load to the towing hook.

### ▼ Rear towing hook

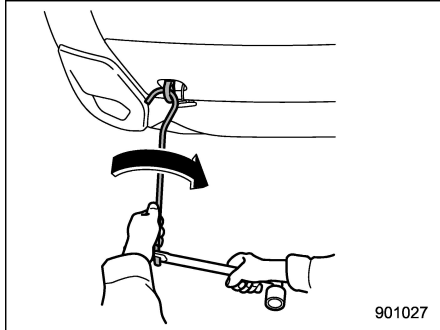
1. Remove the towing hook, screwdriver, and jack handle from storage area of the vehicle. For the tool storage locations, refer to "Tool locations" P364.



2. Cover the tip of a flat-head screwdriver with vinyl tape or cloth so that it will not scratch the bumper. Pry off the cover on the rear bumper using a screwdriver, and you will find a threaded hole for attaching the towing hook.



3. Screw the towing hook into the thread hole until its thread can no longer be seen.



4. Tighten the towing hook securely using the jack handle and wheel nut wrench.

After towing, remove the towing hook from the vehicle and stow it in the tool bucket. Fit the towing hook cover on the bumper.

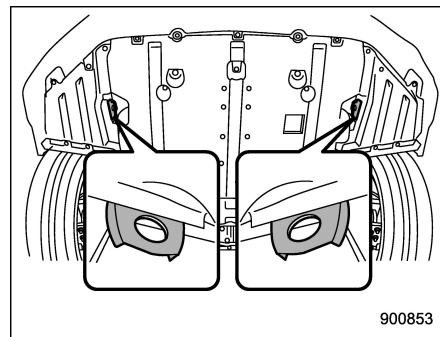
#### WARNING

- Do not use the towing hook for purposes other than towing your vehicle.
- Be sure to remove the towing hook after towing. Leaving the towing hook mounted on the vehicle could interfere with proper operation of the fuel pump shut off function when the vehicle is struck from behind.

#### CAUTION

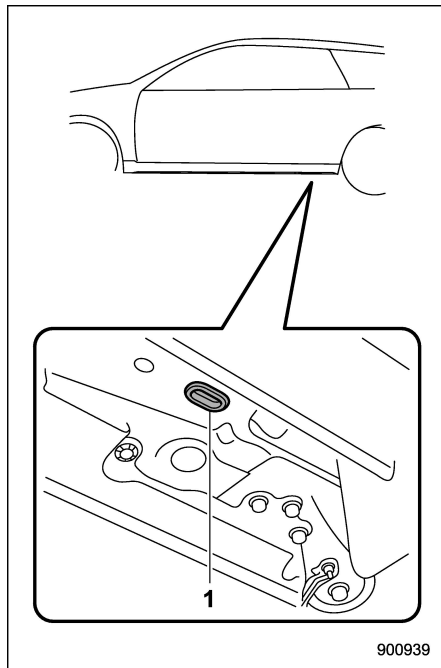
To prevent deformation to the bumper and the towing hook, do not apply excessive load to the towing hook.

#### ▼ Front tie-down hooks



The front tie-down hooks are located between each of the front tires and the front bumper.

### ▼ Rear tie-down holes



#### 1) Rear tie-down hole

The rear tie-down holes are located near each of the jack-up reinforcements.

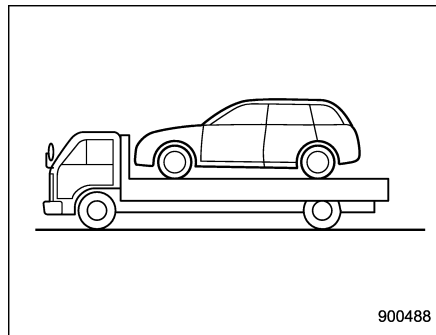
There is a plug in each rear tie-down hole. To use the rear tie-down holes, remove the

plugs. After using the rear tie-down holes, return the plugs to their original places.

### ⚠ WARNING

Use the rear tie-down holes only for downward anchoring. If they are used to anchor the vehicle in any other direction, cables may slip out of the holes, possibly causing a dangerous situation.

### ■ Using a flat-bed truck



This is the best way to transport your vehicle. Use the following procedures to ensure safe transportation.

1. Shift the select lever into the "P" position.
2. Pull up the parking brake lever firmly.

3. Secure the vehicle onto the carrier properly with safety chains. Each safety chain should be equally tightened and care must be taken not to pull the chains so tightly that the suspension bottoms out.

### ⚠ CAUTION

If your vehicle has a bumper under guard (optional), be careful not to scrape it when placing the vehicle on the carrier and when removing the vehicle from the carrier.

### 9-7. Electronic parking brake – if the electronic parking brake cannot be released

Contact your SUBARU dealer and have your SUBARU dealer release the electronic parking brake.

### 9-8. Access key fob – if access key fob does not operate properly

#### CAUTION

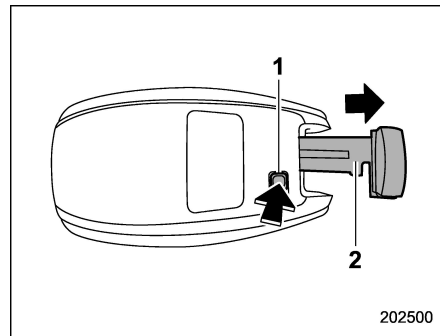
Keep metallic objects, magnetic sources and signal transmitters away from the area between the access key fob and the push-button ignition switch. They may interfere with the communication between the access key fob and the push-button ignition switch.

The following functions may be inoperable because of strong radio signals in the surrounding area or a low battery condition of the access key fob.

- Locking/unlocking doors (including the rear gate)
- Switching power status
- Starting the hybrid system

In such cases, perform the following procedure. When the battery of the access key fob is discharged, replace it with a new one. Refer to “Replacing battery of access key fob” P437.

### Locking and unlocking



- 1) Release button
- 2) Emergency key

While pressing the release button of the access key fob, take out the emergency key.

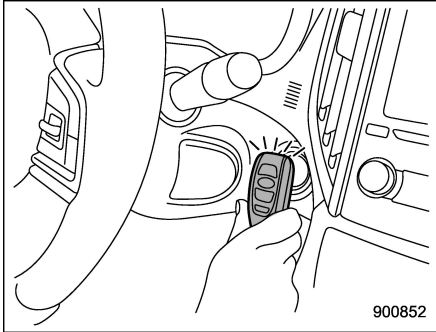
Lock or unlock the driver's door with the emergency key in the procedure described in “Locking and unlocking from the outside” P160.

#### NOTE

**After locking or unlocking, be sure to attach the emergency key back to the access key fob.**

## ■ Switching power status

1. Apply the parking brake.
2. Shift the select lever to the “P” (Park) position.
3. Depress the brake pedal.



4. Hold the access key fob with the buttons facing you, and touch the push-button ignition switch with it.

When the communication between the access key fob and the vehicle is completed, a chime (ding) will sound. At the same time, the status of the push-button ignition switch changes to either of the following.

- When the keyless access with push-button start system is deactivated: “ACC”
- Under other conditions: “ON”

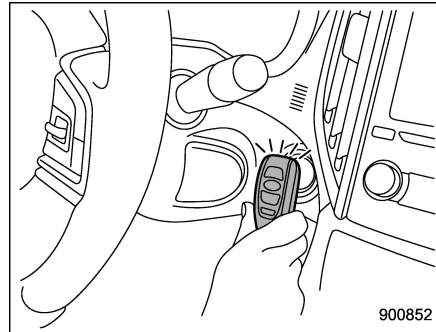
5. When the keyless access with push-button start system is deactivated, press the push-button ignition switch with the brake pedal released. The status of the push-button ignition switch then changes to “ON”.

## NOTE

**If the power does not switch even though the above procedure was followed precisely, contact your SUBARU dealer.**

## ■ Starting the hybrid system

1. Apply the parking brake.
2. Shift the select lever to the “P” (Park) position.
3. Depress the brake pedal.



4. Hold the access key fob with the buttons facing you, and touch the push-button ignition switch with it.

When the communication between the access key fob and the vehicle is completed, a chime (ding) will sound. At the same time, the push-button ignition switch turns to the “ACC” or “ON” position.

5. After the push-button ignition switch turns to the “ACC” or “ON” position, while depressing the brake pedal, press the push-button ignition switch.

## NOTE

**If the hybrid system does not start even though the above procedure was followed precisely, contact your SUBARU dealer.**

## **9-9. Hybrid system – if the hybrid system does not start**

The following are possible causes for the system not starting. Check the following and perform the appropriate procedure.

- The charge cable may be attached to the vehicle.
- There is a possibility that the temperature of the high voltage battery is extremely low (approximately below  $-22^{\circ}\text{F}$  ( $-30^{\circ}\text{C}$ )).
- The electronic key may not be functioning properly.
- There may not be sufficient fuel in the vehicle's tank.
- There may be a malfunction in the immobilizer system.
- There may be a malfunction in the shift control system.
- The hybrid system may be malfunctioning due to an electrical problem such as electronic key battery depletion or a blown fuse. However, depending on the type of malfunction, an interim measure is available to start the hybrid system.

When the hybrid system does not start, the following steps can be used as an interim measure to start the hybrid system if the push-button ignition switch is functioning normally. Do not use this starting proce-

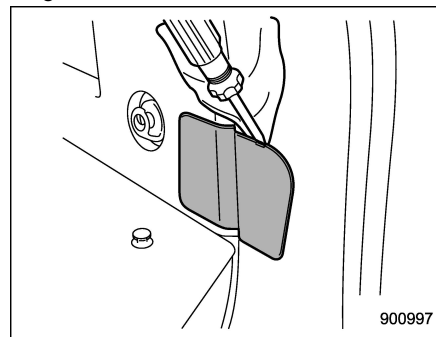
cedure except in cases of emergency.

1. Apply the parking brake.
2. Turn the push-button ignition switch to the "ACC" position.
3. Press and hold the switch for about 15 seconds while depressing the brake pedal firmly.

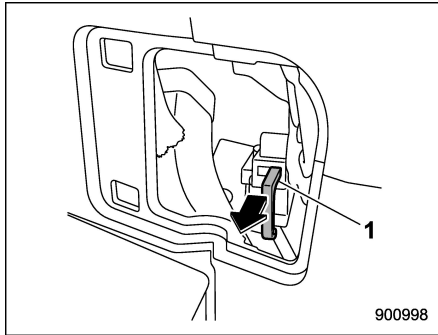
Even if the hybrid system can be started using the above steps, the system may be malfunctioning. Have the vehicle inspected by your SUBARU dealer.

## **9-10. Fuel door – if the fuel door cannot be opened**

In the event that you cannot open the fuel door by pressing the fuel door release switch, you can open it from inside the cargo area.



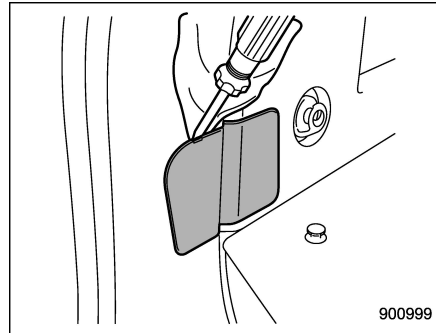
1. Remove the access cover at the bottom of the rear right trim using a flat-head screwdriver wrapped with vinyl tape or a cloth.



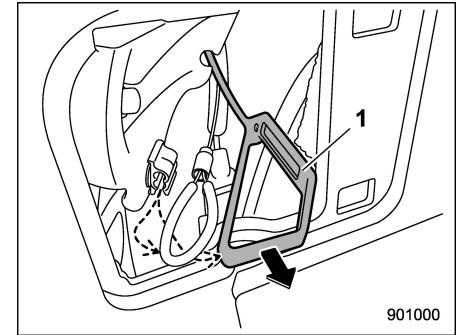
- 1) Fuel door opener lever
2. Pull the fuel door opener lever behind the rear trim panel.

### 9-11. Charge port door – if the charge port door cannot be opened

In the event that you cannot open the charge port door, you can open it from inside the cargo area.



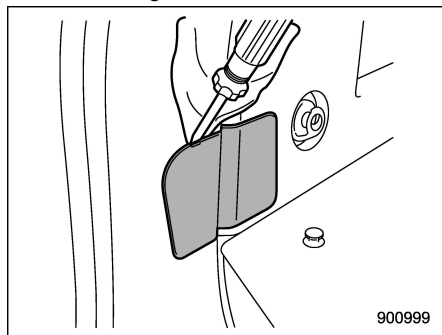
1. Remove the access cover at the bottom of the rear left trim using a flat-head screwdriver wrapped with vinyl tape or a cloth.



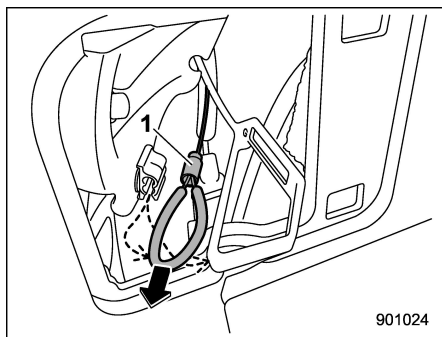
- 1) Charge port door cable (white)
2. Pull the charge port door cable (white) behind the rear trim panel.

## 9-12. Charge cable – if the charge cable cannot be removed

In the event that you cannot remove the charge cable, you can remove it from inside the cargo area.



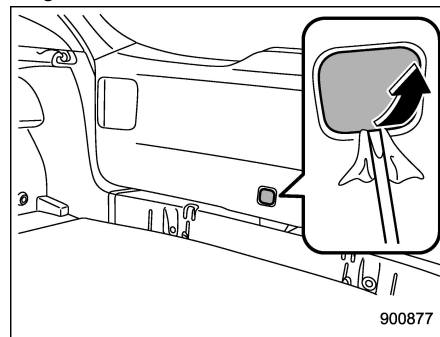
1. Remove the access cover at the bottom of the rear left trim using a flat-head screwdriver wrapped with vinyl tape or a cloth.



- 1) Cable (yellow)
2. Pull the cable (yellow) to release the charge cable.

## 9-13. Rear gate – if the rear gate cannot be opened

In the event that you cannot open the rear gate by operating the rear gate opener button, you can open it from inside the cargo area.

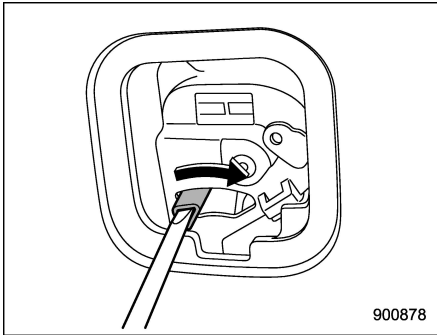


1. Remove the access cover at the bottom-center of the rear gate trim using a flat-head screwdriver wrapped with vinyl tape or a cloth.
2. Locate the rear gate open lever behind the rear gate trim panel.



**⚠ CAUTION**

Never operate the rear gate open lever with fingers because doing so may cause an injury. Always use a flat-head screwdriver or a similar tool.



3. To open the rear gate, turn the lever to the right position using a flat-head screwdriver or a similar tool.

### 9-14. Moonroof (if equipped) – if the moonroof does not close

If the moonroof does not close, we recommend that you have the system checked by a SUBARU dealer.

### 9-15. If your vehicle is involved in an accident

**⚠ CAUTION**

If your vehicle is involved in an accident, be sure to inspect the ground under the vehicle before restarting the hybrid system. If you find that fuel has leaked on the ground, do not try to restart the hybrid system. The fuel system has been damaged and is in need of repair. Immediately contact the nearest automotive service facility. We recommend that you consult your SUBARU dealer.

Your vehicle has a fuel pump shut off system. When the vehicle sustains an impact in an accident, etc., the fuel pump shut off system stops supplying the fuel in order to minimize fuel leakage. However, depending on the impact conditions at the time of collision, the fuel pump shut-off system may not operate.

Perform the following procedures to restart the hybrid system after the system is activated.

1. Turn the push-button ignition switch to

**390** *If your vehicle is involved in an accident*

---

- the “ACC” or “OFF” position.
2. Restart the hybrid system.

<b>10-1. Exterior care.....</b>	<b>392</b>	<b>10-3. Cleaning the interior .....</b>	<b>395</b>
Washing .....	392	Seat fabric .....	395
Waxing and polishing .....	393	Leather seat materials .....	395
Cleaning alloy wheels .....	394	Synthetic leather upholstery.....	396
<b>10-2. Corrosion protection .....</b>	<b>394</b>	Seatbelt .....	396
Most common causes of corrosion .....	394	Climate control panel, audio panel, instrument panel, console panel, and switches .....	396
To help prevent corrosion.....	394	Monitor .....	396

## 10-1. Exterior care

### ■ Washing

#### CAUTION

- When washing the vehicle, the brakes may get wet. As a result, the brake stopping distance will be longer. To dry the brakes, drive the vehicle at a safe speed while lightly depressing the brake pedal to heat up the brakes.
- Before washing the vehicle, check that the charge port door is fully closed. When using a high-pressure washer, do not use it around the charge port door. There is the risk that water may enter the charge port and cause a malfunction.
- Do not wash the engine compartment and area adjacent to it. If water enters the engine air intake or electrical parts, it will cause engine trouble or a malfunction of electrical equipment.
- When washing inner fenders, underbody, bumpers and protruding objects such as exhaust pipes and exhaust finishers, be careful to prevent injuries from

contacting sharp ends.

- Do not use any organic solvents when washing the surface of the bulb assembly cover. However, if a detergent with organic solvents is used to wash the cover surface, completely rinse off the detergent with water. Otherwise, the cover surface may be damaged.
- Since your vehicle is equipped with a rear wiper, automatic car-wash brushes could become tangled around it, damaging the wiper arm and other components. Ask the automatic car-wash operator not to let the brushes touch the wiper arm or to fix the wiper arm on the rear window glass with adhesive tape before operating the machine.

#### NOTE

- When having your vehicle washed in an automatic car wash, make sure beforehand that the car wash is of suitable type.
  - The rear view camera lens has a hard coating to help prevent scratches. However, when washing the vehicle or cleaning the camera lens, be careful not

to scratch the camera lens. Do not use a washing brush directly on the camera lens. The image quality of the rear view camera may deteriorate.

The best way to preserve your vehicle's beauty is frequent washing. Wash the vehicle at least once a month to avoid contamination by road grime.

Wash dirt off with a wet sponge and plenty of lukewarm or cold water. Do not wash the vehicle with hot water and in direct sunlight.

Salt, chemicals, insects, tar, soot, tree sap, and bird droppings should be washed off by using a light detergent, as required. If you use a light detergent, make certain that it is a neutral detergent. Do not use strong soap or chemical detergents. All cleaning agents should be promptly flushed from the surface and not allowed to dry there. Rinse the vehicle thoroughly with plenty of lukewarm water. Wipe the remaining water off with a chamois or soft cloth. Wear rubber gloves and use a hand brush when washing down underbody, inner fenders and suspension to effectively remove mud and dirt off.

#### ▼ Washing the underbody

Chemicals, salts and gravel used for deicing road surfaces are extremely cor-

rosive, accelerating the corrosion of underbody components, such as the exhaust system, fuel and brake lines, brake cables, floor pan and fenders, and suspension.

Thoroughly flush the underbody and inside of the fenders with lukewarm or cold water at frequent intervals to reduce the harmful effects of such agents.

Mud and sand adhering to the underbody components may accelerate their corrosion.

After driving off-road or on muddy or sandy roads, wash the mud and sand off the underbody. Carefully flush the suspension and axle parts, as they are particularly prone to mud and sand buildup. Do not use a sharp-edged tool to remove caked mud.

### CAUTION

- **Be careful not to damage brake hoses, sensor harnesses, and other parts when washing suspension components.**
- **Be careful not to flush the engine bottom for a long time. It may cause damage of some electrical parts.**

### ▼ Using a warm water washer

- Keep a good distance of 12 in (30 cm) or more between the washer nozzle and the vehicle.
- Do not wash the same area continuously.
- If a stain will not come out easily, wash by hand. Some warm water washers are of the high temperature, high pressure type, and they can damage or deform the resin parts such as moldings, or cause water to leak into the vehicle.

### ■ Waxing and polishing

Always wash and dry the vehicle before waxing and polishing.

Use a good quality polish and wax and apply them according to the manufacturer's instructions. Wax or polish when the painted surface is cool.

Be sure to polish and wax the chrome trim, as well as the painted surfaces. Loss of wax on a painted surface leads to loss of the original luster and also quickens the deterioration of the surface. It is recommended that a coat of wax be applied at least once a month, or whenever the surface no longer repels water.

If the appearance of the paint has diminished to the point where the luster or tone cannot be restored, lightly polish the sur-

face with a fine-grained compound. Never polish just the affected area, but include the surrounding area as well. Always polish in only one direction. A No. 2000 grain compound is recommended. Never use a coarse-grained compound. Coarse-grained compounds have a smaller grain-size number and could damage the paint. After polishing with a compound, coat with wax to restore the original luster. Frequent polishing with a compound or an incorrect polishing technique will result in removing the paint layer and exposing the undercoat. When in doubt, it is always best to contact your SUBARU dealer or an auto paint specialist.

### CAUTION

**Do not use any agents with organic solvents on the surface of the bulb assembly cover. However, if a polish or wax with organic solvents is applied to the cover surface, completely wipe off the polish or wax. Otherwise, the cover surface may be damaged.**

### NOTE

- **Be careful not to block the windshield washer nozzles with wax when waxing the vehicle.**

- Do not wipe the rear view camera with alcohol, benzine or paint thinner. Otherwise, discoloration may occur. To remove contamination, wipe the camera with a cloth moistened with diluted neutral detergent and then wipe it with a soft, dry cloth.

- When waxing the vehicle, be careful not to apply the wax to the rear view camera. If it comes in contact with the camera, moisten a clean cloth with diluted neutral detergent to remove the wax.

### ■ Cleaning alloy wheels

- Promptly wipe the alloy wheels clean of any kind of grime or agent. If dirt is left on too long, it may be difficult to clean off.

- Do not use soap containing grit to clean the wheels. Be sure to use a neutral cleaning agent, and later rinse thoroughly with water. Do not clean the wheels with a stiff brush or expose them to a high-speed washing device.

- Clean the vehicle (including the alloy wheels) with water as soon as possible when it has been splashed with sea water, exposed to sea breezes, or driven on roads treated with salt or other agents.

## 10-2. Corrosion protection

Your SUBARU has been designed and built to resist corrosion. Special materials and protective finishes have been used on most parts of the vehicle to help maintain fine appearance, strength, and reliable operation.

### ■ Most common causes of corrosion

The most common causes of corrosion are:

- The accumulation of moisture retaining dirt and debris in body panel sections, cavities, and other areas.
- Damage to paint and other protective coatings caused by gravel and stone chips or minor accidents.

Corrosion is accelerated on the vehicle when:

- It is exposed to road salt or dust control chemicals, or used in coastal areas where there is more salt in the air, or in areas where there is considerable industrial pollution.
- It is driven in areas of high humidity, especially when temperatures range just above freezing.
- Dampness in certain parts of the

vehicle remains for a long time, even though other parts of the vehicle may be dry.

- High temperatures will cause corrosion to parts of the vehicle which cannot dry quickly due to lack of proper ventilation.

### ■ To help prevent corrosion

Wash the vehicle regularly to prevent corrosion of the body and suspension components. Also, wash the vehicle promptly after driving on any of the following surfaces.

- roads that have been salted to prevent them from freezing in winter
- mud, sand, or gravel
- coastal roads

After the winter has ended, it is recommended that the underbody be given a very thorough washing.

Before the beginning of winter, check the condition of underbody components, such as the exhaust system, fuel and brake lines, brake cables, suspension, steering system, floor pan, and fenders. If any of them are found to be rusted, they should be given an appropriate rust prevention treatment or should be replaced. Contact your SUBARU dealer to perform this kind of maintenance and treatment if you need

assistance.

Repair chips and scratches in the paint as soon as you find them.

Check the interior of the vehicle for water and dirt accumulation under the floor mats because that could cause corrosion. Occasionally check under the mats to make sure the area is dry.

Keep your garage dry. Do not park your vehicle in a damp, poorly ventilated garage. In such a garage, corrosion can be caused by dampness. If you wash the vehicle in the garage or put the vehicle into the garage when wet or covered with snow, that can cause dampness.

If your vehicle is operated in cold weather and/or in areas where road salts and other corrosive materials are used, the door hinges and locks, rear gate lock, and engine hood latch should be inspected and lubricated periodically.

### 10-3. Cleaning the interior

Use a soft, damp cloth to clean the climate control panel, audio equipment, instrument panel, center console, combination meter panel, and switches. (Do not use organic solvents.)



**Do not use sharp instruments or window cleaner containing abrasives to clean the inner surface of the rear window. They may damage the conductors printed on the window.**

#### ■ Seat fabric

Remove loose dirt, dust or debris with a vacuum cleaner. If the dirt is caked on the fabric or hard to remove with a vacuum cleaner, use a soft brush then vacuum it. Wipe the fabric surface with a tightly wrung cloth and dry the seat fabric thoroughly. If the fabric is still dirty, wipe using a solution of mild soap and lukewarm water then dry thoroughly.

If the stain does not come out, try a commercially-available fabric cleaner. Use the cleaner on a hidden place and

make sure it does not affect the fabric adversely. Use the cleaner according to its instructions.



**When cleaning the seat, do not use benzine, paint thinner, or any similar materials. Doing so could damage the surface and cause the color to deteriorate.**

#### ■ Leather seat materials

The leather used by SUBARU is a high quality natural product which will retain its distinctive appearance and feel for many years with proper care.

Allowing dust or road dirt to build up on the surface can cause the material to become brittle and to wear prematurely. Regular cleaning with a soft, moist, natural fiber cloth should be performed monthly, taking care not to soak the leather or allow water to penetrate the stitched seams.

A mild detergent suitable for cleaning woolen fabrics may be used to remove difficult dirt spots, rubbing with a soft, dry cloth afterwards to restore the luster. If your SUBARU is to be parked for a long time in bright sunlight, it is recommended that the seats and head restraints be

covered, or the windows shaded, to prevent fading or shrinkage.

Minor surface blemishes or bald patches may be treated with a commercial leather spray lacquer. You will discover that each leather seat section will develop soft folds or wrinkles, which is characteristic of genuine leather.

### ■ Synthetic leather upholstery

The synthetic leather material used on the SUBARU may be cleaned using mild soap or detergent and water, after first vacuuming or brushing away loose dirt. Allow the soap to soak in for a few minutes and wipe off with a clean, damp cloth. Commercial foam-type cleaners suitable for synthetic leather materials may be used when necessary.



#### CAUTION

**Strong cleaning agents such as solvents, paint thinners, window cleaner or fuel must never be used on leather or synthetic interior materials. Doing so could damage the surface and cause the color to deteriorate.**

### ■ Seatbelt

For details about how to clean the seatbelt, refer to "Seatbelt maintenance" P87.

### ■ Climate control panel, audio panel, instrument panel, console panel, and switches

Use a soft, damp cloth to clean the climate control panel, audio equipment, instrument panel, center console, combination meter panel, and switches.



#### CAUTION

- Do not use organic solvents such as paint thinners or fuel, or strong cleaning agents that contain those solvents. Doing so could damage the surface and cause the color to deteriorate.
- Do not use chemical solvents that contain silicone on the vehicle audio system, electrical components of the air-conditioner or any switches. If silicone adheres to these parts, it may cause damage to electrical components.

### ■ Monitor

To clean the audio/navigation/multi function display monitor, wipe it with a silicone cloth or with a soft cloth. If the monitor is extremely dirty, clean it with a soft cloth moistened with neutral detergent then carefully wipe off any remaining detergent.



#### CAUTION

- Do not spray neutral detergent directly onto the monitor. Doing so could damage the monitor's components.
- Do not wipe the monitor with a hard cloth. Doing so could scratch the monitor.
- Do not use cleaning fluid that contains thinner, fuel, or any other volatile substance. Such cleaning fluid could erase the lettering on the switches at the bottom of the monitor.







11-1. Maintenance schedule.....	401	11-11. Front differential gear oil and rear differential gear oil.....	414
11-2. Maintenance precautions .....	401	Recommended grade and viscosity .....	414
Before checking or servicing in the engine compartment .....	402	11-12. Brake fluid.....	414
When checking or servicing in the engine compartment .....	402	Checking the fluid level.....	414
When checking or servicing in the engine compartment while the engine is running.....	403	Recommended brake fluid.....	415
11-3. Engine hood .....	403	11-13. Brake pedal .....	415
11-4. Engine compartment overview .....	405	11-14. Replacement of brake pad.....	415
11-5. Engine oil.....	406	Breaking-in of new brake pads .....	416
Engine oil consumption .....	406	11-15. Tires and wheels.....	416
Locations of the oil level gauge, oil filler cap and oil filter .....	406	Types of tires .....	416
Checking the oil level .....	406	Tire pressure monitoring system (TPMS) .....	416
Changing the oil and oil filter.....	407	Tire inspection .....	418
Recommended grade and viscosity.....	408	Tire pressures and wear.....	418
Synthetic oil .....	408	Wheel balance.....	420
11-6. Cooling system .....	408	Wear indicators.....	420
Safety precautions.....	408	Rotational direction of tires .....	421
Cooling fan, hose and connections .....	409	Tire rotation .....	421
Engine coolant .....	409	Tire replacement .....	421
Inverter with converter assembly coolant.....	410	Wheel replacement.....	422
11-7. Air cleaner element.....	411	11-16. Alloy wheels.....	423
Replacing the air cleaner element .....	412	11-17. Windshield washer fluid.....	423
11-8. Spark plugs .....	413	Adding the windshield washer fluid .....	423
Recommended spark plugs.....	413	Windshield washer fluid .....	423
11-9. Drive belts .....	413	11-18. Replacement of wiper blades .....	424
11-10. Continuously variable transmission fluid .....	413	Windshield wiper blade assembly.....	425
		Window wiper blade rubber.....	426
		Rear window wiper blade assembly.....	427
		Rear window wiper blade rubber .....	427
		11-19. 12 V battery.....	429

**Maintenance and service**

---

<b>11-20. Fuses .....</b>	<b>430</b>
<b>11-21. Installation of accessories .....</b>	<b>431</b>
<b>11-22. Replacing bulbs .....</b>	<b>432</b>
Headlights .....	432
Front turn signal light .....	432
Parking light .....	432
Front fog light .....	432
Rear combination lights .....	432
Backup light .....	434

License plate light.....	435
Map light.....	435
Vanity mirror light .....	435
Dome light and cargo area light.....	435
Other bulbs.....	436
<b>11-23. Replacing key battery .....</b>	<b>436</b>
Safety precautions .....	436
Replacing battery of access key fob .....	437

## 11-1. Maintenance schedule

The scheduled maintenance items required to be serviced at regular intervals are shown in the “Warranty and Maintenance Booklet”. For details, read the separate “Warranty and Maintenance Booklet”.

### NOTE

**You can set a reminder to be displayed when a scheduled maintenance item is almost due. For details, refer to “Maintenance settings” P226.**

## 11-2. Maintenance precautions

When maintenance and service are required, it is recommended that all work be done by an authorized SUBARU dealer.

If you perform maintenance and service by yourself, you should familiarize yourself with the information provided in this section on general maintenance and service for your SUBARU.

Incorrect or incomplete service could cause improper or unsafe vehicle operation. Any problems caused by improper maintenance and service performed by you are not eligible for warranty coverage.



### WARNING

- Always select a safe area when performing maintenance on your vehicle.
- Always be very careful to avoid injury when working on the vehicle. Remember that some of the materials in the vehicle may be hazardous if improperly used or handled, for example, battery acid.
- Your vehicle should only be ser-

viced by persons fully competent to do so. Serious personal injury may result to persons not experienced in servicing vehicles.

- Always use the proper tools and make certain that they are well maintained.
- Never get under the vehicle supported only by a jack. Always use safety stands to support the vehicle.
- Never keep the hybrid system running in a poorly ventilated area, such as a garage or other closed areas.
- Do not smoke or allow open flames around the fuel or battery. This will cause a fire.
- Because the fuel system is under pressure, replacement of the fuel filter should be performed only by your SUBARU dealer.
- Wear adequate eye protection to guard against getting oil or fluids in your eyes. If something does get in your eyes, thoroughly wash them out with clean water.
- Do not tamper with the wiring of the SRS airbag system or seat-belt pretensioner system, or at-

tempt to take its connectors apart, as that may activate the system or it can render it inoperative. NEVER use a circuit tester for this wiring. If your SRS airbag or seatbelt pretensioner needs service, consult your nearest SUBARU dealer.

## NOTE

SUBARU does not endorse the use of non-SUBARU approved flushing systems and strongly advises against performing these services on a SUBARU vehicle. Non-SUBARU approved flushing systems use chemicals and/or solvents which have not been tested or approved by SUBARU. SUBARU warranties do not cover any part of the vehicle which is damaged by adding or applying chemicals and/or solvents other than those approved or recommended by SUBARU.

## ■ Before checking or servicing in the engine compartment



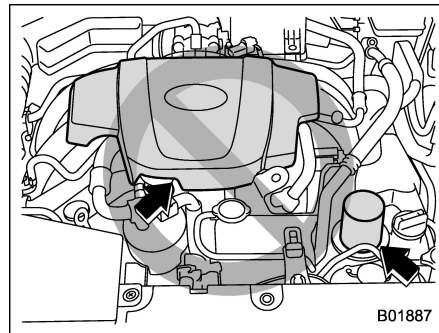
### WARNING

- Always stop the engine and apply the parking brake firmly to pre-

vent the vehicle from moving.

- Always let the engine cool down. Engine parts become very hot when the engine is running and remain hot for some time after the engine has stopped.
- Do not spill engine oil, engine coolant, brake fluid or any other fluid on hot engine components. This may cause a fire.
- When the ignition switch is in the "ON" position, the cooling fan may operate suddenly even when the hybrid system is stopped. If your body or clothes come into contact with a rotating fan, that could result in serious injury. To avoid risk of injury, always turn the push-button ignition switch to the "OFF" position and confirm that the operation indicator on the switch is turned off. Then take the access key fob out from the vehicle.

## ■ When checking or servicing in the engine compartment



### CAUTION

- Do not contact the engine cover while checking the components in the engine compartment. Doing so may cause your hand to slip off the cover and result in an unexpected injury.

- Do not touch the oil filter until the engine has cooled down completely. Doing so may result in a burn or other injury. Note that the oil filter becomes very hot when the engine is running and remains hot for some time after the engine has stopped.

### ■ When checking or servicing in the engine compartment while the engine is running

#### ⚠ WARNING

A running engine can be dangerous. Keep your fingers, hands, clothing, hair and tools away from the cooling fan, drive belt and any other moving engine parts. Removing rings, watches and ties is advisable.

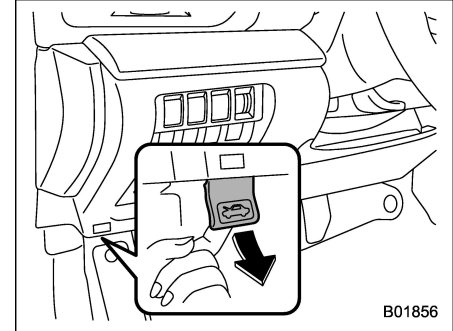
## 11-3. Engine hood

#### ⚠ CAUTION

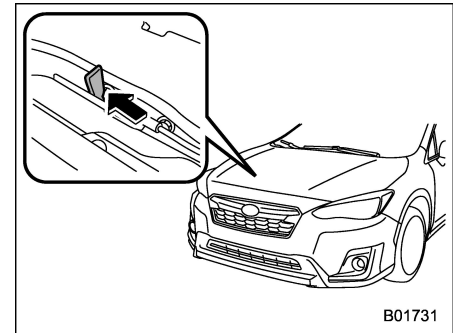
- When you open the engine hood, do not stand the wiper blades up. Furthermore, while the hood is open, do not operate the windshield wipers. Doing so could result in damage to the engine hood and wiper blades.
- Be extremely careful not to catch fingers or other objects when closing the engine hood.
- Do not push the hood forcibly to close it. It could deform the metal.
- Be extremely careful opening the engine hood when the wind is strong. The engine hood could close suddenly, possibly causing injuries from slamming.
- Do not install accessories other than genuine SUBARU parts to the engine hood. If the engine hood becomes too heavy, the stay may not be able to support holding it open.

### To open the hood:

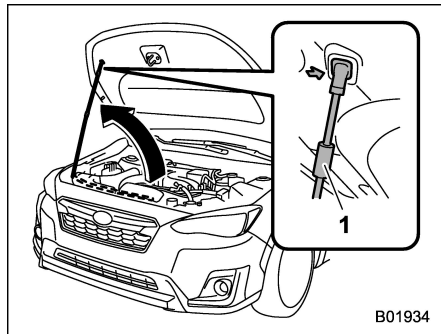
- If the wiper blades are lifted off the windshield, return them to their original position.



- Pull the hood release knob under the instrument panel.



3. Release the secondary hood release by moving the lever between the front grille and the hood toward the left.



- 1) Grip

4. Lift up the hood, release the hood prop from its retainer and put the end of the hood prop into the slot in the hood. Hold the grip for handling the hood prop.

**To close the hood:**

1. Lift the hood slightly and remove the hood prop from the slot in the hood and return the prop to its retainer.
2. Lower the hood to a height of approximately 5.9 in (15 cm) above its closed position and then let it drop.
3. After closing the hood, be sure the hood is securely locked.

If this does not close the hood, release it from a slightly higher position.

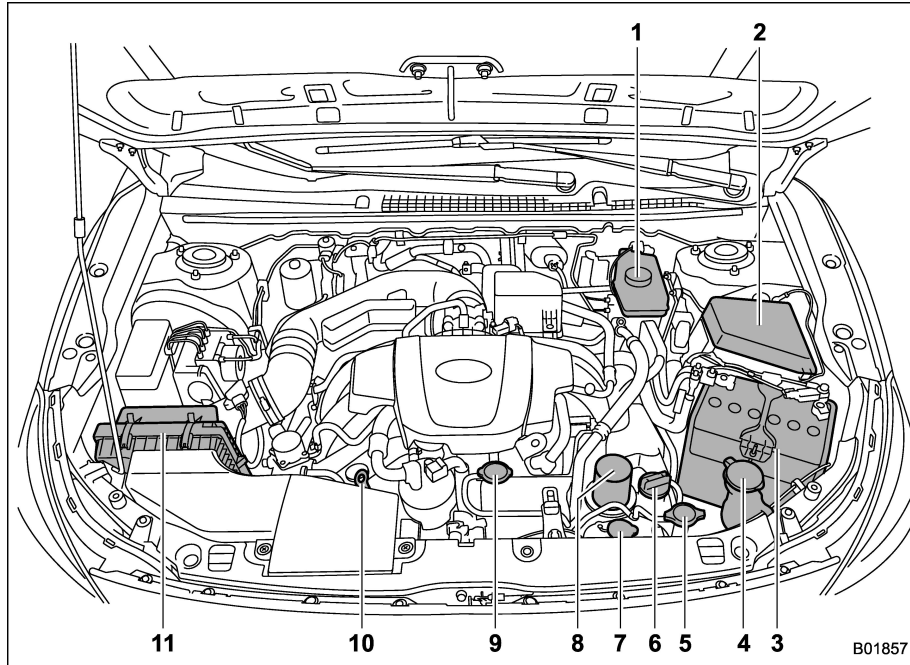


**WARNING**

Always check that the hood is properly locked before you start driving. If it is not, it might fly open while the vehicle is moving and block your view, which may cause an accident and serious bodily injury.



## 11-4. Engine compartment overview



- 1) Brake fluid reservoir (page 414)
- 2) Fuse box (page 430)
- 3) 12 V battery (page 429)
- 4) Windshield washer tank (page 423)
- 5) Radiator cap for engine (page 409)
- 6) Engine oil filler cap (page 406)
- 7) Engine coolant reservoir (page 409)
- 8) Engine oil filter (page 407)
- 9) Radiator cap for inverter with converter assembly (page 410)
- 10) Engine oil level gauge (page 406)
- 11) Air cleaner case (page 411)

## 11-5. Engine oil

### CAUTION

- If the level gauge cannot be pulled out easily, twist the level gauge right and left, then gently pull it out. Otherwise, you may be injured accidentally straining yourself.
- Use only engine oil with the recommended grade and viscosity.
- Be careful not to spill engine oil when adding it. If oil touches the exhaust pipe, it may cause a bad smell, smoke, and/or a fire. If engine oil gets on the exhaust pipe, be sure to wipe it off.

### ■ Engine oil consumption

Some engine oil will be consumed while driving. The rate of consumption can be affected by such factors as transmission type, driving style, terrain and temperature. Under the following conditions, oil consumption can be increased and thus require refilling between maintenance intervals:

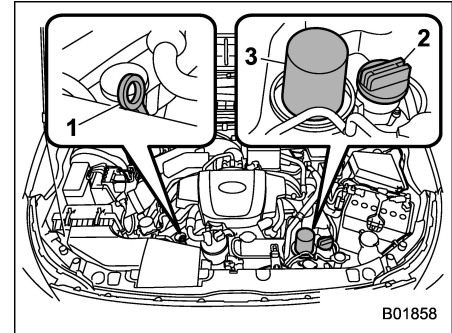
- The engine is new and within the break-

in period.

- The engine oil is of lower quality.
- The incorrect oil viscosity is used.
- Engine braking is employed (repeatedly).
- The engine is operated at high engine speeds (for extended periods of time).
- The engine is operated under heavy loads (for extended periods of time).
- A trailer is being towed.
- The engine idles for extended periods of time.
- The vehicle is operated in stop and go and/or heavy traffic situations.
- The vehicle is used under severe thermal conditions.
- The vehicle accelerates and decelerates frequently.

Under these or similar conditions, you should check your oil at least every 2nd fuel fill-up and change your engine oil more frequently. Different drivers in the same car may experience different results. If your oil consumption rate is greater than expected, contact your authorized SUBARU dealer who may perform a test under controlled conditions.

### ■ Locations of the oil level gauge, oil filler cap and oil filter



- 1) Oil level gauge
- 2) Oil filler cap
- 3) Oil filter

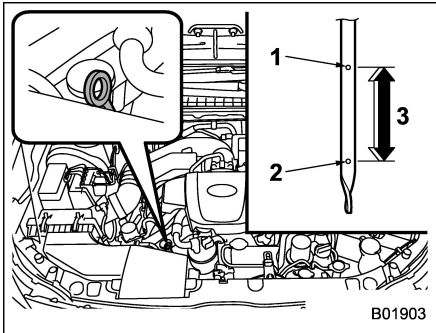
### ■ Checking the oil level

1. Park the vehicle on a level surface and turn the ignition switch to the "OFF" position. If you check the oil level just after turning the ignition switch to the "OFF" position, wait a few minutes for the oil to drain back into the oil pan before checking the level.

**CAUTION**

If the level gauge cannot be pulled out easily, twist the level gauge right and left, then gently pull it out. Otherwise, you may be injured accidentally straining yourself.

2. Pull out the level gauge, wipe it clean, and insert it again.
3. Be sure the level gauge is correctly inserted until it stops.



- 1) Full level
- 2) Low level
- 3) Approximately 1.1 US qt (1.0 liter, 0.9 Imp qt) from low level to full level

4. Pull out the oil level gauge again.
5. Check the oil levels on both sides of the level gauge. The engine oil level must be

judged by the lowest of the two levels. If the oil level is below the low level mark, add oil so that the full level is reached.

**CAUTION**

- Be careful not to touch the engine oil filter when removing the oil filler cap. Doing so may result in a burn, a pinched finger, or may cause some other injury.
- Use only engine oil with the recommended grade and viscosity.
- Be careful not to spill engine oil when adding it. If oil touches the exhaust pipe, it may cause a bad smell, smoke, and/or a fire. If engine oil gets on the exhaust pipe, be sure to wipe it off.

To add engine oil, remove the engine oil filler cap and slowly pour engine oil through the filler neck. After pouring oil into the engine, you must use the level gauge to confirm that the oil level is correct.

**NOTE**

- To prevent overfilling the engine oil, do not add any additional oil above the upper level when the engine is cold.

- The engine low oil level warning light may stay illuminated when the hybrid system is started straight after topping up or changing the engine oil. In such cases, park the vehicle on a level surface and wait for more than a minute until the oil level settles, after which the warning light will turn off. Refer to “Engine low oil level warning light” P187.

**Changing the oil and oil filter**

Change the oil and oil filter according to the maintenance schedule in the “Warranty and Maintenance Booklet”.

The engine oil and oil filter must be changed more frequently than listed in the maintenance schedule when driving on dusty roads, when short trips are frequently made, or when driving in extremely cold weather.

**NOTE**

- Changing the engine oil and oil filter should be performed by a well-trained expert. Contact your SUBARU dealer for changing the engine oil and oil filter. Fully trained mechanics are on standby at a SUBARU dealer to utilize the special tools, spare parts and recommended oil for this work, and also, used oils are properly disposed of.

- If performing oil replacement yourself, observe the local regulations and dispose of waste oil properly.

### ■ Recommended grade and viscosity

 **CAUTION**

Use only engine oil with the recommended grade and viscosity.

Refer to “Engine oil” P441.

### NOTE

Engine oil viscosity (thickness) affects fuel economy. Oils of lower viscosity provide better fuel economy. However, in hot weather, oil of higher viscosity is required to properly lubricate the engine.

### ■ Synthetic oil

You should use synthetic engine oil that meets the same requirements given for conventional engine oil. When using synthetic oil, you must use oil of the same classification, viscosity and grade shown in this Owner’s Manual. Refer to “Engine oil” P441. Also, you must follow the oil and filter changing intervals shown in the

Warranty and Maintenance booklet.

### NOTE

Synthetic oil of the grade and viscosity noted in chapter 12 is the recommended engine oil for optimum engine performance. Conventional oil may be used if synthetic oil is unavailable.

## 11-6. Cooling system

### ■ Safety precautions

 **WARNING**

Never attempt to remove the radiator cap until the hybrid system has been shut off and has cooled down completely. Since the coolant is under pressure, you may suffer serious burns from a spray of boiling hot coolant when the cap is removed.

 **CAUTION**

- Vehicles are filled at the factory with SUBARU Super Coolant that does not require the first change for 11 years/137,500 miles (11 years/220,000 km). This coolant should not be mixed with any other brand or type of coolant during this period. Mixing with a different coolant will reduce the life of the coolant. Should it be necessary to top up the coolant for any reason, use only SUBARU Super Coolant.

If the SUBARU Super Coolant is diluted with another brand or

type, the maintenance interval is shortened to that of the mixing coolant.

- Do not splash the engine coolant over painted parts. The alcohol contained in the engine coolant may damage the paint surface.

### ■ Cooling fan, hose and connections

Your vehicle employs an electric cooling fan which is thermostatically controlled to operate when the engine coolant reaches a specific temperature.

If the radiator cooling fan does not operate even when the coolant temperature high warning light blinks or illuminates in **RED**, the cooling fan circuit may be defective. Refer to "Coolant temperature high warning light" P185.

Check the fuse and replace it if necessary. Refer to "Fuses" P430 and "Fuse panel located in the engine compartment" P448.

If the fuse is not blown, have the cooling system checked by your SUBARU dealer.

If frequent addition of coolant is necessary, there may be a leak in the engine cooling system. It is recommended that the cooling

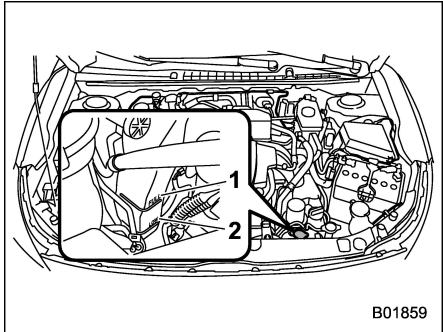
system and connections be checked for leaks, damage, or looseness.

### ■ Engine coolant

#### ▼ Checking the coolant level

**▲ WARNING**

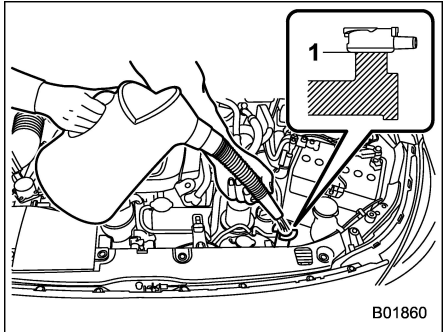
Never attempt to remove the radiator cap until the hybrid system has been shut off and has cooled down completely. Since the coolant is under pressure, you may suffer serious burns from a spray of boiling hot coolant when the cap is removed.



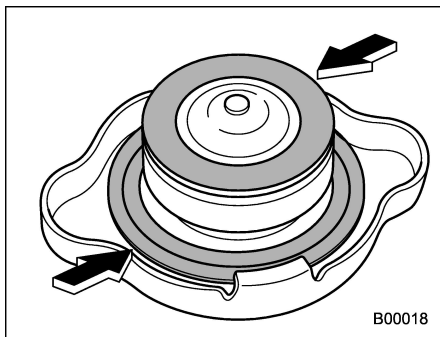
- 1) "FULL" level mark
- 2) "LOW" level mark

Check the coolant level at each fuel stop.

- Check the coolant level on the outside of the reservoir while the engine is cool.
- If the level is close to or lower than the "LOW" level mark, add coolant up to the "FULL" level mark. If the reserve tank is empty, remove the radiator cap and refill coolant up to just below the filler neck as shown in the following illustration.



1) Fill up to this level



3. After refilling the reserve tank and the radiator, reinstall the cap and check that the rubber gaskets inside the radiator cap are in the proper position.

**CAUTION**

- Be careful not to spill engine coolant when adding it. If coolant touches the exhaust pipe, it may cause a bad smell, smoke, and/or a fire. If engine coolant gets on the exhaust pipe, be sure to wipe it off.
- Do not splash the engine coolant over painted parts. The alcohol contained in the engine coolant may damage the paint surface.

▼ **Changing the coolant**

It may be difficult to change the coolant. Have the coolant changed by your SUBARU dealer if necessary.

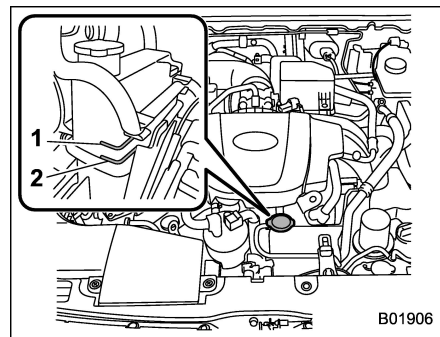
The coolant should be changed according to the maintenance schedule in the "Warranty and Maintenance Booklet".

■ **Inverter with converter assembly coolant**

▼ **Checking the coolant level**

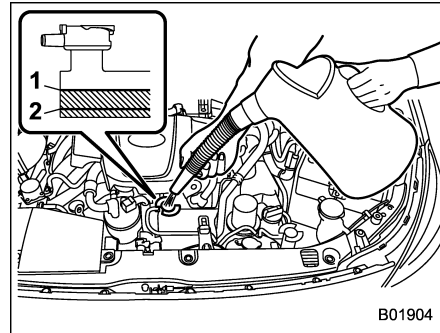
**WARNING**

**Never attempt to remove the radiator cap until the hybrid system has been shut off and has cooled down completely. Since the coolant is under pressure, you may suffer serious burns from a spray of boiling hot coolant when the cap is removed.**



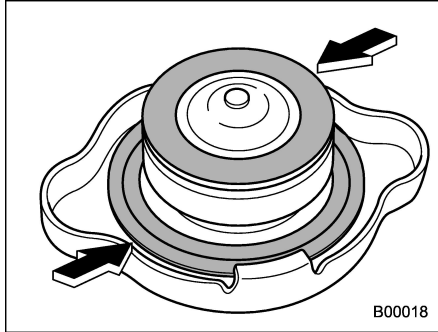
- 1) "FULL" level mark
- 2) "LOW" level mark

1. Check the coolant level on the outside of the reservoir while the engine is cool.



- 1) "FULL" level mark
- 2) "LOW" level mark

2. If the level is close to or lower than the "LOW" level mark, remove the radiator cap and add coolant up to the "FULL" level mark.



3. After refilling the reserve tank and the radiator, reinstall the cap and check that the rubber gaskets inside the radiator cap are in the proper position.

### CAUTION

- **Be careful not to spill inverter with converter assembly coolant when adding it. If coolant touches the exhaust pipe, it may cause a bad smell, smoke, and/or a fire. If inverter with converter assembly coolant gets on the exhaust pipe, be sure to wipe it off.**

- **Do not splash the inverter with converter assembly coolant over painted parts. The alcohol contained in the inverter with converter assembly coolant may damage the paint surface.**

### ▼ Changing the coolant

It may be difficult to change the coolant. Have the coolant changed by your SUBARU dealer if necessary.

The coolant should be changed according to the maintenance schedule in the "Warranty and Maintenance Booklet".

## 11-7. Air cleaner element

### WARNING

Do not operate the engine with the air cleaner element removed. The air cleaner element not only filters intake air but also stops flames if the engine backfires. If the air cleaner element is not installed when the engine backfires, you could be burned.

### CAUTION

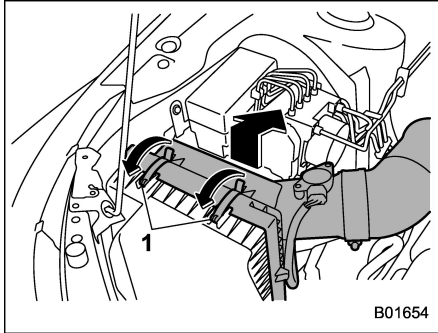
When replacing the air cleaner element, use a genuine SUBARU air cleaner element. If it is not used, there is the possibility of causing a negative effect to the engine.

The air cleaner element functions as a filter screen. When the element is perforated or removed, engine wear will be excessive and engine life shortened.

It is not necessary to clean or wash the air cleaner element.

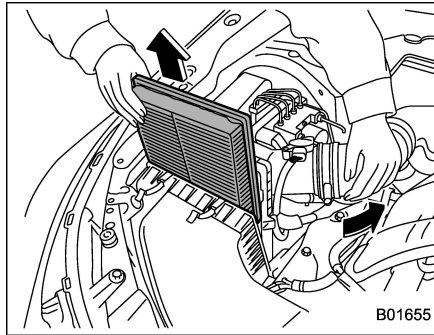
## ■ Replacing the air cleaner element

Replace the air cleaner element according to the maintenance schedule in the “Warranty and Maintenance Booklet”. Under extremely dusty conditions, replace it more frequently. It is recommended that you always use genuine SUBARU parts.

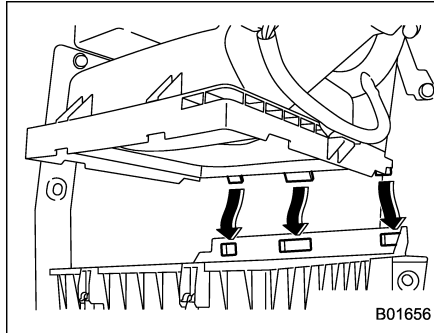


1) Clip

1. Unsnap the two clips holding the air cleaner case (rear).
2. Open the air cleaner case and pull the cover rearward while lifting it up.



3. Remove the air cleaner element.
4. Clean the inside of the air cleaner case (both front and rear) with a damp cloth and install a new air cleaner element.



5. To install the air cleaner case (rear), insert the three projections on the air

cleaner case (rear) into the slits on the air cleaner case (front).

6. Install in the reverse order of removal.

### NOTE

Install the air cleaner element so that the surface with “UPR” printed on it faces upward.



## 11-8. Spark plugs

It may be difficult to replace the spark plugs. It is recommended that you have the spark plugs replaced by your SUBARU dealer.

The spark plugs should be replaced according to the maintenance schedule in the “Warranty and Maintenance Booklet”.



### CAUTION

**Make sure the cables are replaced in the correct order.**

### ■ Recommended spark plugs

For the recommended spark plugs, refer to “Electrical system” P444.

## 11-9. Drive belts

It is unnecessary to check the deflection of the drive belt periodically. However, replacement of the belt should be done according to the maintenance schedule in the “Warranty and Maintenance Booklet”. Consult your SUBARU dealer for replacement.

If the drive belt is loose, cracked or worn, contact your SUBARU dealer.

## 11-10. Continuously variable transmission fluid

It is not necessary to check the transmission fluid level. Check that there are no cracks, damage or leakage. However, the fluid inspection should be performed according to the maintenance schedule in the “Warranty and Maintenance Booklet”. Consult your SUBARU dealer for details.

## 11-11. Front differential gear oil and rear differential gear oil

It is not necessary to check the gear oil level. Check that there are no cracks, damage or leakage. However, the oil inspection should be performed according to the maintenance schedule in the "Warranty and Maintenance Booklet". Consult your SUBARU dealer for details.

### ■ Recommended grade and viscosity

Each oil manufacturer has its own base oils and additives. Never use different brands together. For details, refer to "Front differential and rear differential gear oil" P443.

#### CAUTION

Using a differential gear oil other than the specified oil may cause a decline in vehicle performance.

## 11-12. Brake fluid

### ■ Checking the fluid level

#### WARNING

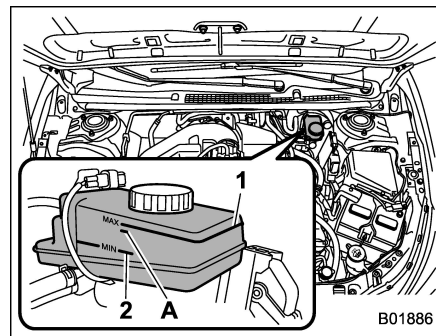
- Never let brake fluid contact your eyes because brake fluid can be harmful to your eyes. If brake fluid gets in your eyes, immediately flush them thoroughly with clean water. For safety, when performing this work, wearing eye protection is advisable.
- Brake fluid absorbs moisture from the air. Any absorbed moisture can cause a dangerous loss of braking performance.
- If the vehicle requires frequent refilling, there may be a leak. If you suspect a problem, have the vehicle checked at your SUBARU dealer.

#### CAUTION

- When adding brake fluid, be careful not to allow any dirt into the reservoir.
- Never splash the brake fluid over painted surfaces or rubber parts.

Alcohol contained in the brake fluid may damage them.

- Be careful not to spill brake fluid when adding it. If brake fluid touches the exhaust pipe, it may cause a bad smell, smoke, and/or a fire. If brake fluid gets on the exhaust pipe, be sure to wipe it off.



- 1) "MAX" level line
- 2) "MIN" level line
- A) The brake fluid level must be checked in this area.

Check the fluid level monthly. Check the fluid level on the outside of the reservoir. Be sure to check the fluid level for the brake system at the **shaded area in the illustration**.

If the fluid level is below "MIN", add the recommended brake fluid to "MAX". Use only brake fluid from a sealed container.

### ■ Recommended brake fluid

Refer to "Fluids" P443.

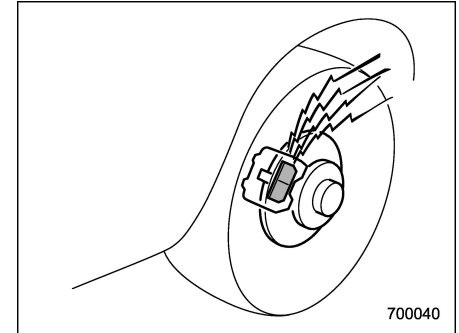
#### CAUTION

**Never use different brands of brake fluid together. Also, avoid mixing DOT 3 and DOT 4 brake fluids even if they are the same brand.**

## 11-13. Brake pedal

Check the brake pedal free play and reserve distance according to the maintenance schedule in the "Warranty and Maintenance Booklet".

## 11-14. Replacement of brake pad



The disc brakes have audible wear indicators on the brake pads. If the brake pads wear close to their service limit, the wear indicator makes a very audible scraping noise when the brake pedal is applied.

If you hear this scraping noise each time you apply the brake pedal, have the brake pads serviced by your SUBARU dealer as soon as possible.

#### CAUTION

**If you continue to drive despite the scraping noise from the audible brake pad wear indicator, it will**

result in the need for costly brake rotor repair or replacement.

### ■ **Breaking-in of new brake pads**

When replacing the brake pad, use only genuine SUBARU parts. After replacement, the new parts must be broken in. Contact your SUBARU dealer for details.

## 11-15. Tires and wheels

### ■ **Types of tires**

You should be familiar with type of tires present on your vehicle.

#### ▼ **All season tires**

All season tires are designed to provide an adequate measure of traction, handling and braking performance in year-round driving including snowy and icy road conditions. However all season tires do not offer as much traction performance as winter (snow) tires in heavy or loose snow or on icy roads.

All season tires are identified by "ALL SEASON" and/or "M+S" (Mud & Snow) on the tire sidewall.

#### ▼ **Summer tires**

Summer tires are high-speed capability tires best suited for highway driving under dry conditions.

Summer tires are inadequate for driving on slippery roads such as on snow-covered or icy roads.

If you drive your vehicle on snow-covered or icy roads, we strongly recommend the use of winter (snow) tires.

When installing winter tires, be sure to replace all four tires.

#### ▼ **Winter (snow) tires**

Winter tires are best suited for driving on snow-covered and icy roads. However winter tires do not perform as well as summer tires and all season tires on roads other than snow-covered and icy roads.

### ■ **Tire pressure monitoring system (TPMS)**

The tire pressure monitoring system provides the driver with a warning message by sending a signal from a sensor that is installed in each wheel when tire pressure is severely low. The tire pressure monitoring system will activate only when the vehicle is driven. Also, this system may not react immediately to a sudden drop in tire pressure (for example, a blow-out caused by running over a sharp object).

If you adjust the tire pressures in a warm garage and will then drive the vehicle in cold outside air, the resulting drop in tire pressures may cause the low tire pressure warning light to illuminate. To avoid this problem when adjusting the tire pressures in a warm garage, inflate the tires to pressures higher than those shown on the tire placard. Specifically, inflate them by an extra 1 psi (6.9 kPa, 0.07 kgf/cm<sup>2</sup>) for every difference of 10°F (5.6°C) between the temperature in the garage and the

temperature outside. By way of example, the following table shows the required tire pressures that correspond to various outside temperatures when the temperature in the garage is 60°F (15.6°C).

**Example:**

Tire size: 225/55R18 98H

Standard tire pressures:

Front: 36 psi (250 kPa, 2.5 kgf/cm<sup>2</sup>)

Rear: 35 psi (240 kPa, 2.4 kgf/cm<sup>2</sup>)

Garage temperature: 60°F (15.6°C)

Outside temperature	Adjusted pressure [psi (kPa, kgf/cm <sup>2</sup> )]	
	Front	Rear
30°F (-1°C)	39 (270, 2.7)	38 (260, 2.6)
10°F (-12°C)	41 (285, 2.85)	40 (275, 2.75)
-10°F (-23°C)	44 (300, 3.0)	42 (290, 2.9)

If the low tire pressure warning light illuminates when you drive the vehicle in cold outside air after adjusting the tire pressures in a warm garage, re-adjust the tire pressures using the method described above. Then, increase the vehicle speed to at least 20 mph (32 km/h) and check to see that the low tire pressure warning light turns off a few minutes later. If the low tire pressure warning light does not turn off, the tire pressure monitoring system may not be functioning normally. In this event, go to a SUBARU dealer to have the

system inspected as soon as possible.

While the vehicle is driven, friction between tires and the road surface causes the tires to warm up. After illumination of the low tire pressure warning light, any increase in the tire pressures caused by an increase in the outside air temperature or by an increase in the temperature in the tires can cause the low tire pressure warning light to turn off.

System resetting is necessary when the wheels are changed (for example, a switch to snow tires) and new TPMS valves are installed on the newly fitted wheels. Have this work performed by a SUBARU dealer following wheel replacement.

It may not be possible to install TPMS valves on certain wheels that are on the market. Therefore, if you change the wheels (for example, a switch to snow tires), use wheels that have the same part number as the standard-equipment wheels. Without four operational TPMS valve/sensors on the wheels, the TPMS will not fully function and the warning light on the combination meter will illuminate steadily after blinking for approximately one minute.

When a tire is replaced, adjustments are necessary to ensure continued normal

operation of the tire pressure monitoring system. As with wheel replacement, therefore, you should have the work performed by a SUBARU dealer.

 **WARNING**

**If the low tire pressure warning light does not illuminate briefly after the ignition switch is turned ON or the light illuminates steadily after blinking for approximately one minute, you should have your Tire Pressure Monitoring System checked at a SUBARU dealer as soon as possible.**

**If this light illuminates while driving, never brake suddenly and keep driving straight ahead while gradually reducing speed. Then slowly pull off the road to a safe place. Otherwise an accident involving serious vehicle damage and serious personal injury could occur.**

**If this light still illuminates while driving after adjusting the tire pressure, a tire may have significant damage and a fast leak that causes the tire to lose air rapidly.**

**When a wheel rim is replaced without the original pressure sensor/transmitter being transferred, the**

low tire pressure warning light will illuminate steadily after blinking for approximately one minute. This indicates the TPMS is unable to monitor all four road wheels. Contact your SUBARU dealer as soon as possible for tire and sensor replacement and/or system resetting. If the light illuminates steadily after blinking for approximately one minute, promptly contact a SUBARU dealer to have the system inspected.

### ■ Tire inspection

Check on a daily basis that the tires are free from serious damage, nails, and stones. At the same time, check the tires for abnormal wear. Contact your SUBARU dealer immediately if you find any problem.

### NOTE

• **When the wheels and tires strike curbs or are subjected to harsh treatment as when the vehicle is driven on a rough surface, they can suffer damage that cannot be seen with the naked eye. This type of damage**

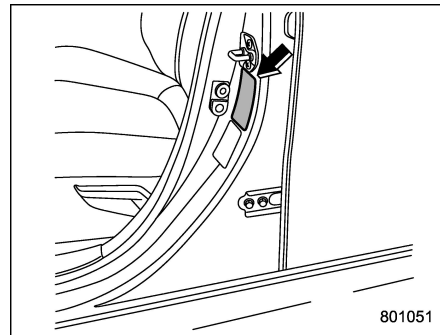
**does not become evident until time has passed. Try not to drive over curbs, potholes or on other rough surfaces. If doing so is unavoidable, keep the vehicle's speed down to a walking pace or less, and approach the curbs as squarely as possible. Also, make sure the tires are not pressed against the curb when you park the vehicle.**

• **If you feel unusual vibration while driving or find it difficult to steer the vehicle in a straight line, one of the tires and/or wheels may be damaged. Drive slowly to the nearest authorized SUBARU dealer and have the vehicle inspected.**

### ■ Tire pressures and wear

Maintaining the correct tire pressures helps to maximize the tires' service lives and is essential for good running performance. Check and, if necessary, adjust the pressure of each tire at least once a

month (for example, during a fuel stop) and before any long journey.



### Tire placard

Check the tire pressures when the tires are cold. Use a pressure gauge to adjust the tire pressures to the values shown on the tire placard. The tire placard is located on the door pillar on the driver's side.

Driving even a short distance warms up the tires and increases the tire pressures. Also, the tire pressures are affected by the outside temperature. It is best to check

tire pressure outdoors before driving the vehicle.

When a tire becomes warm, the air inside it expands, causing the tire pressure to increase. Be careful not to mistakenly release air from a warm tire to reduce its pressure.

**NOTE**

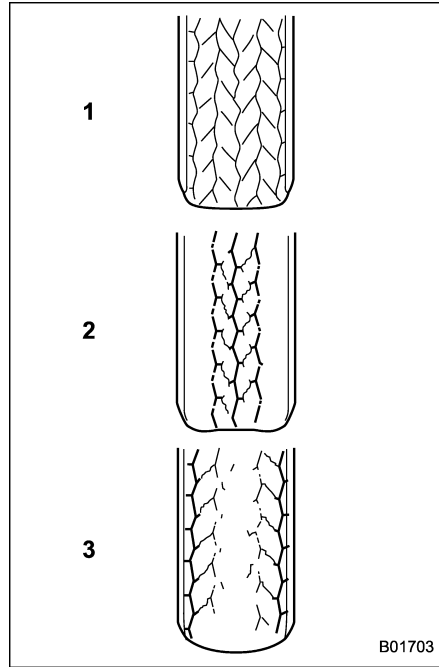
- The air pressure in a tire increases by approximately 4.3 psi (30 kPa, 0.3 kgf/cm<sup>2</sup>) when the tire becomes warm.
- The tires are considered cold when the vehicle has been parked for at least three hours or has been driven less than one mile (1.6 km).

**WARNING**

**Do not let air out of warm tires to adjust pressure. Doing so will result in low tire pressure.**

Incorrect tire pressures detract from controllability and ride comfort, and they cause the tires to wear abnor-

mally.



- 1) Correct tire pressure (tread worn evenly)  
Roadholding is good, and steering is responsive. Rolling resistance is low, so fuel con-

- sumption is also lower.
- 2) Under inflated tire (tread worn on shoulders)  
Rolling resistance is high, so fuel consumption is also higher.
- 3) Over inflated (tread worn in the center)  
Ride comfort is poor. Also, the tire magnifies the effects of road-surface bumps and dips, possibly resulting in vehicle damage.

If the tire placard shows tire pressures for the vehicle when fully loaded, adjust the tire pressures to the values that match the loading conditions.

**WARNING**

**Driving at high speeds with excessively low tire pressures can cause the tires to deform severely and to rapidly heat up. A sharp increase in temperature could cause tread**

separation, and destruction of the tires. The resulting loss of vehicle control could lead to an accident.

### ■ Wheel balance

Each wheel was correctly balanced when your vehicle was new, but the wheels will become unbalanced as the tires become worn during use. Wheel imbalance causes the steering wheel to vibrate slightly at certain vehicle speeds and detracts from the vehicle's straight-line stability. It can also cause steering and suspension system problems and abnormal tire wear. If you suspect that the wheels are not correctly balanced, have them checked and adjusted by your SUBARU dealer. Also have them adjusted after tire repairs and after tire rotation.



**CAUTION**

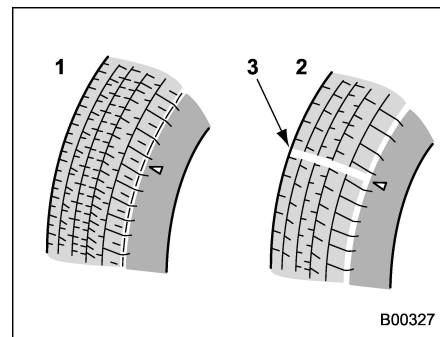
**Loss of correct wheel alignment causes the tires to wear**

on one side and reduces the vehicle's running stability. Contact your SUBARU dealer if you notice abnormal tire wear.

### NOTE

The suspension system is designed to hold each wheel at a certain alignment (relative to the other wheels and to the road) for optimum straight-line stability and cornering performance.

### ■ Wear indicators



- 1) New tread
- 2) Worn tread
- 3) Tread wear indicator

Each tire incorporates a tread wear indicator, which becomes visible when the depth of the tread grooves decreases to 0.063 in (1.6 mm). A tire must be replaced when the tread wear indicator appears as a solid band across the tread.



**WARNING**

**When a tire's tread wear indicator becomes visible, the tire**

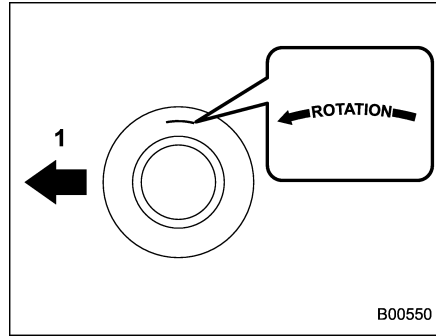


is worn beyond the acceptable limit and must be replaced immediately. With a tire in this condition, driving at high speeds in wet weather can cause the vehicle to hydroplane. The resulting loss of vehicle control can lead to an accident.

#### NOTE

For safety, inspect tire tread regularly and replace the tires before their tread wear indicators become visible.

#### ■ Rotational direction of tires



#### Example of rotational direction marked on the sidewall

##### 1) Front

If the tires have specific rotational direction, refer to the arrow marked on the side wall.

The arrow should be pointing forward direction when the wheels are fitted.

#### ■ Tire rotation

Tire wear varies from wheel to wheel, and rotation is necessary. However, it may be difficult to rotate the tires. Have the tires rotated by

your SUBARU dealer. For the tire rotation schedule, refer to the “Warranty and Maintenance Booklet”.

#### ■ Tire replacement

The wheels and tires are important and integral parts of your vehicle’s design; they cannot be changed arbitrarily. The tires fitted as standard equipment are optimally matched to the characteristics of the vehicle and were selected to give the best possible combination of running performance, ride comfort, and service life. It is essential for every tire to have a size and construction matching those shown on the tire placard and to have a speed symbol and load index matching those shown on the tire placard.

Using tires of a non-specified size detracts from controllability, ride comfort, braking performance, speedometer accuracy and odometer accuracy. It also creates incorrect body-to-tire clearances and inappropriately changes the vehicle’s ground clearance.

All four tires must be the same in terms of manufacturer, brand (tread pattern), construction, and size. You are advised to replace the tires with new ones that are identical to those fitted as standard equip-

ment.

For safe vehicle operation, SUBARU recommends replacing all four tires at the same time.



### WARNING

- When replacing or installing tire(s), all four tires must be the same for following items.
  - (a) Size
  - (b) Circumference
  - (c) Speed symbol
  - (d) Load index
  - (e) Construction
  - (f) Manufacturer
  - (g) Brand (tread pattern)
  - (h) Degrees of wear

For the items (a) to (d), you must obey the specification that is printed on the tire placard. The tire placard is located on the driver's door pillar.

If all of four tires are not the same for items (a) to (h), serious mechanical damage could occur to the drive train of your car, and affect the following.

- Ride

- Handling
- Braking
- Speedometer/Odometer calibration
- Clearance between the body and tires

It also may be dangerous and lead to loss of vehicle control, and it can lead to an accident.

- Use only radial tires. Do not use radial tires together with belted bias tires and/or bias-ply tires. Doing so can dangerously reduce controllability, resulting in an accident.

### ■ Wheel replacement

When replacing wheels due, for example, to damage, make sure the replacement wheels match the specifications of the wheels that are fitted as standard equipment. Replacement wheels are available from SUBARU dealers.



### WARNING

Use only those wheels that are specified for your vehicle. Wheels not meeting specifications could interfere with brake caliper opera-

tion and may cause the tires to rub against the wheel well housing during turns. The resulting loss of vehicle control could lead to an accident.

### NOTE

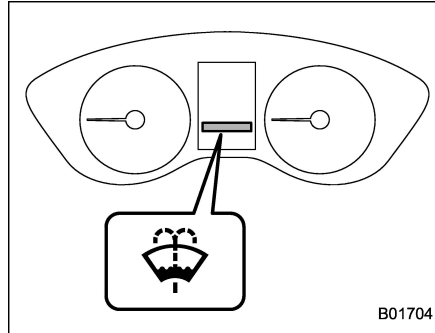
When any of the wheels are removed and replaced for tire rotation or for any other reason, always check the tightness of the wheel nuts after driving approximately 600 miles (1,000 km). If any nut is loose, tighten it to the specified torque.

## 11-16. Alloy wheels

Alloy wheels can be scratched and damaged easily. Handle them carefully to maintain their appearance, performance, and safety.

- When any of the wheels are removed and replaced for tire rotation or to change a flat tire, always check the tightness of the wheel nuts after driving approximately 600 miles (1,000 km). If any nut is loose, tighten it to the specified torque.
- Never apply oil to the threaded parts, wheel nuts, or tapered surface of the wheel.
- Never let the wheel rub against sharp protrusions or curbs.
- When wheel nuts, balance weights, or the center cap is replaced, be sure to replace them with genuine SUBARU parts designed for alloy wheels.
- When stacking and storing removed tires, place shock-absorbing material between the tires to protect the wheels from becoming scratched.

## 11-17. Windshield washer fluid



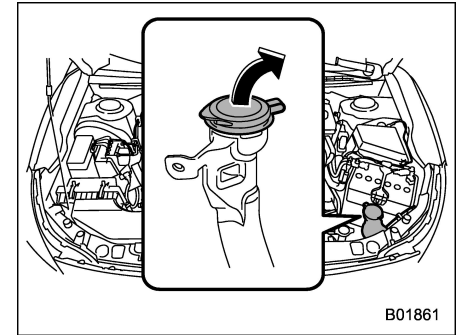
Windshield washer fluid warning light

When there is only a small amount of washer fluid remaining, the windshield washer fluid warning light will illuminate. When this occurs, refill the washer fluid.

### ■ Adding the windshield washer fluid



**Never use engine coolant as washer fluid because it could cause paint damage.**



Remove the washer tank filler cap, then add windshield washer fluid.

### ■ Windshield washer fluid

Use windshield washer fluid. If windshield washer fluid is unavailable use clean water.

In areas where water freezes in winter, use an anti-freeze type windshield washer fluid. SUBARU Windshield Washer Fluid contains 58.5% methyl alcohol and 41.5% surfactant, by volume. Its freezing temperature varies according to how much it is diluted, as indicated in the following table.

Washer Fluid Concentration	Freezing Temperature
30%	10.4°F (-12°C)
50%	-4°F (-20°C)
100%	-49°F (-45°C)

In order to prevent freezing of washer fluid, check the freezing temperatures in the table above when adjusting the fluid concentration to the outside temperature.

If you fill the reservoir tank with a fluid with a different concentration from the one used previously, purge the old fluid from the piping between the reservoir tank and washer nozzles by operating the washer for a certain period of time. Otherwise, if the concentration of the fluid remaining in the piping is too low for the outside temperature, it may freeze and block the nozzles.

**CAUTION**

- **Adjust the washer fluid concentration appropriately for the outside temperature. If the concentration is inappropriate, sprayed washer fluid may freeze on the windshield and obstruct your view, and the fluid may freeze in the reservoir tank.**

- **State or local regulations on volatile organic compounds may restrict the use of methanol, a common windshield washer anti-freeze additive. Washer fluids containing non-methanol anti-freeze agents should be used only if they provide cold weather protection without damaging your vehicle's paint, wiper blades or washer system.**

## 11-18. Replacement of wiper blades

Grease, wax, insects, or other material on the windshield or the wiper blade results in jerky wiper operation and streaking on the glass. If you cannot remove the streaks after operating the windshield washer or if the wiper operation is jerky, clean the outer surface of the windshield (or rear window) and the wiper blades using a sponge or soft cloth with a neutral detergent or mild-abrasive cleaner. After cleaning, rinse the windshield and wiper blades with clean water. The windshield is clean if beads do not form when you rinse the windshield with water.

**CAUTION**

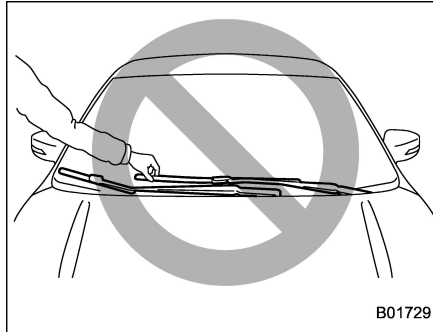
- **Do not clean the wiper blades with gasoline or a solvent, such as paint thinner or benzine. This will cause deterioration of the wiper blades.**
- **When you wish to raise the passenger-side wiper arm, first raise the driver-side wiper arm. Otherwise, the passenger-side wiper assembly and driver-side wiper assembly will touch each other, possibly resulting in scratches.**

- Return the passenger-side wiper arm to its original position before returning the driver-side wiper arm to its original position. Otherwise, the passenger-side wiper assembly and driver-side wiper assembly will touch each other, possibly resulting in scratches.
- While removing the wiper blades from the wiper arms, do not return the wiper arms to the original positions. Otherwise, the windshield surface may be scratched.
- When returning the raised wiper arms to the original positions, carefully return the wiper arms on the windshield by hand. You should not return the wiper arms to the windshield only by the return spring. Otherwise, the wiper arms may be deformed and/or the windshield surface may be scratched.

If you cannot eliminate the streaking even after following this method, replace the wiper blades using the following procedures.

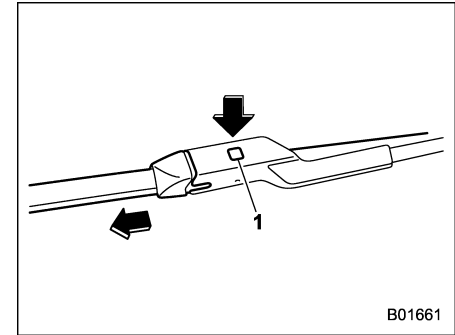
## ■ Windshield wiper blade assembly

1. Raise the wiper arm off the windshield.



### CAUTION

Hold the wiper arm when replacing the wiper blade. Holding the wiper blade, may result in blade deformation.

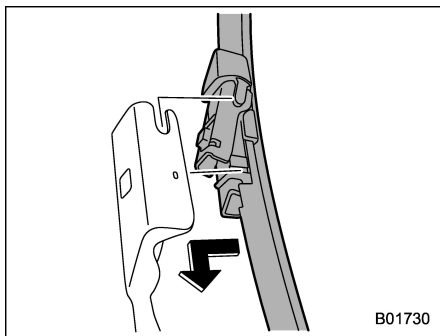


- 1) Lock knob

2. Hold the wiper blade connection by hand, push the lock knob to release the lock, and then pull out the wiper blade assembly.

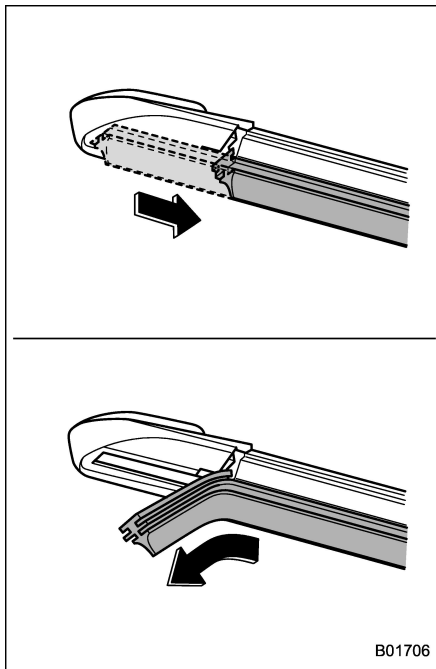
### NOTE

Do not use a hard object to push the lock knob. The lock knob may be scratched.



3. When installing the wiper blade assembly, align it with the wiper arm connection part and then slide it in the opposite direction of removal to install. After installing the wiper blade assembly, check that the connection part is locked completely.
4. Hold the wiper arm by hand and slowly lower it in position.

### ■ Window wiper blade rubber



Replace the wiper blade rubber according to the following procedure.

1. Pull the wiper blade rubber until the slit on the underside of the wiper blade is in the removal position, as shown in the

illustration, so that it can be removed.

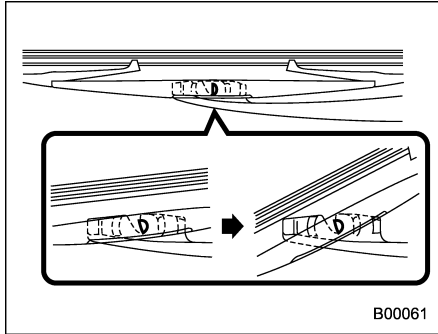
2. Pull the end of the wiper blade rubber through the slit to remove it.
3. To install a new wiper blade rubber, perform the removal procedure in the reverse order. After installation, check that the tip of the wiper rubber has reached the end of the cap.

### NOTE

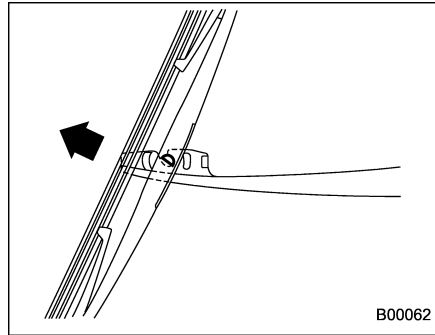
**It may be difficult to perform the wiper blade rubber replacement. We recommend that you contact your SUBARU dealer for wiper blade rubber replacement if necessary.**

## ■ Rear window wiper blade assembly

1. Raise the wiper arm off the rear window.



2. Turn the wiper blade assembly counterclockwise.

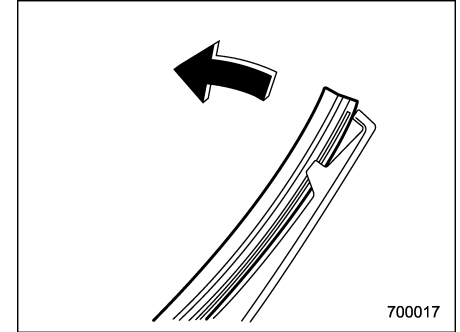


3. Pull the wiper blade assembly toward you to remove it from the wiper arm.

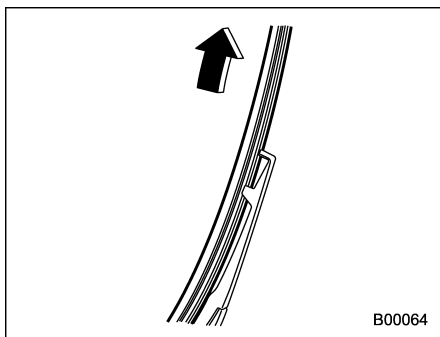
4. Install the wiper blade assembly to the wiper arm. Make sure that it locks in place.

5. Hold the wiper arm by hand and slowly lower it in position.

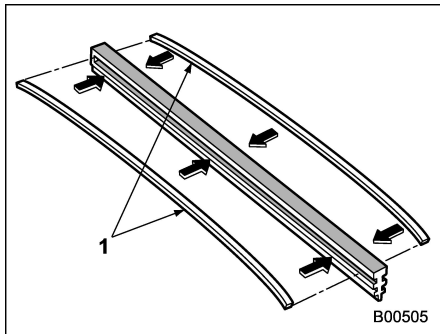
## ■ Rear window wiper blade rubber



1. Pull out the end of the blade rubber assembly to unlock it from the plastic support.



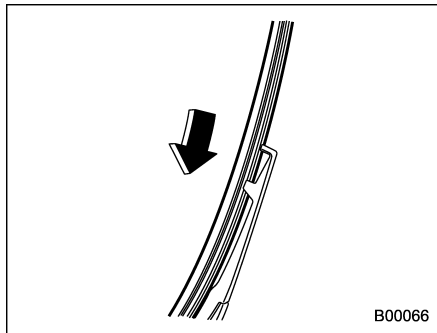
2. Pull the blade rubber assembly out of the plastic support.



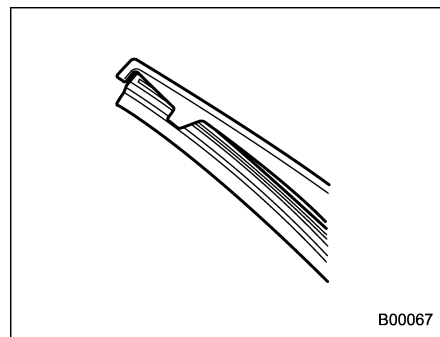
1) Metal spines

3. If the new blade rubber is not provided with two metal spines, remove the metal spines from the old blade rubber and install

them in the new blade rubber.



4. Align the claws of the plastic support with the grooves in the blade rubber assembly, then slide the blade rubber assembly into place.



Securely retain both ends of the rubber with the stoppers on the plastic support ends. If the rubber is not retained properly, the wiper may scratch the rear window glass.

5. Install the wiper blade assembly to the wiper arm. Make sure that it locks in place.  
6. Hold the wiper arm by hand and slowly lower it in position.



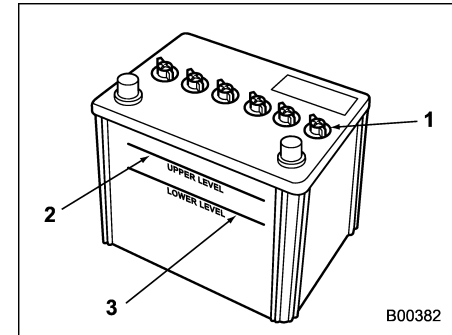
## 11-19. 12 V battery

### WARNING

- Before beginning work on or near any battery, be sure to extinguish all cigarettes, matches, and lighters. Never expose a battery to an open flame or electric sparks. Batteries give off a gas which is highly flammable and explosive.
- For safety, in case an explosion does occur, wear eye protection or shield your eyes when working near any battery. Never lean over a battery.
- Do not let battery fluid contact eyes, skin, fabrics, or paint because battery fluid is a corrosive acid. If battery fluid gets on your skin or in your eyes, immediately flush the area with water thoroughly. Seek medical help immediately if acid has entered the eyes.  
If battery fluid is accidentally swallowed, immediately drink a large amount of milk or water, and seek medical attention immediately.
- To lessen the risk of sparks,

remove rings, metal watchbands, and other metal jewelry. Never allow metal tools to contact the positive battery terminal and anything connected to it WHILE you are at the same time in contact with any other metallic portion of the vehicle because a short circuit will result.

- Keep everyone including children away from the battery.
- Charge the battery in a well-ventilated area.
- Battery posts, terminals and related accessories contain lead and lead compounds, chemicals known to the State of California to cause cancer and reproductive harm. Batteries also contain other chemicals known to the State of California to cause cancer. *Wash hands after handling.*



- 1) Cap
- 2) Upper level
- 3) Lower level

It is unnecessary to periodically check the battery fluid level or periodically refill with distilled water.

However, if the battery fluid level is below the lower level, remove the cap. Fill to the upper level with distilled water.

If the 12 V battery is removed and installed, it may not be changed to EV driving. In that case, contact a SUBARU dealer.

**CAUTION**

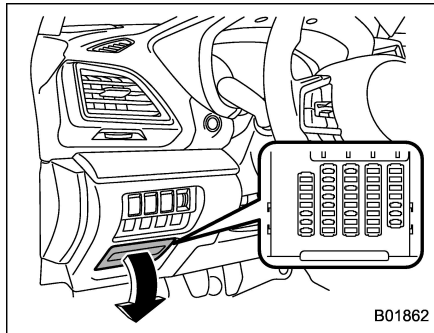
Never use more than 10 A when charging the battery because it will shorten battery life.

## 11-20. Fuses

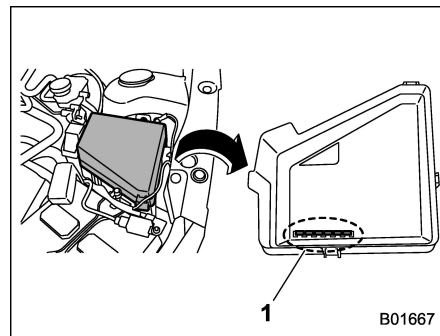
**CAUTION**

Never replace a fuse with one having a higher rating or with material other than a fuse because serious damage or a fire could result.

The fuses are designed to melt during an overload to prevent damage to the wiring harness and electrical equipment. The fuses are located in two fuse boxes.

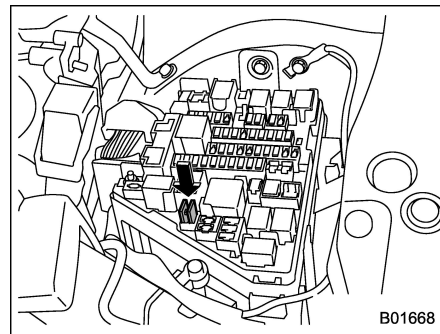


One is located under the instrument panel behind the fuse box cover on the driver's seat side. To remove the cover, pull it out.



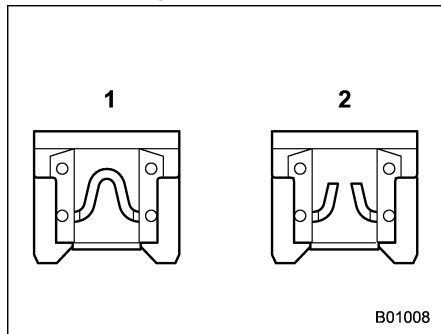
1) Spare fuses

The other one (main fuse box) is housed in the engine compartment. Also, the spare fuses are stored in the fuse box cover.



The fuse puller is stored in the main fuse box in the engine compartment.

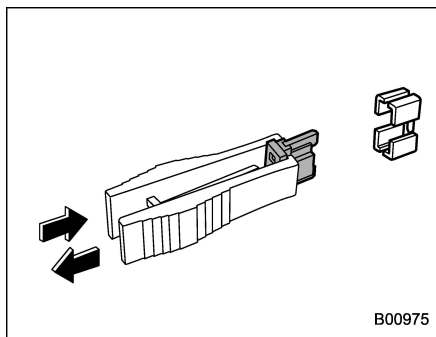
Pinch the upper part of the fuse puller when removing it from the main fuse box.



- 1) Good
- 2) Blown

If any lights, accessories or other electrical controls do not operate, inspect the corresponding fuse. If a fuse has blown, replace it.

1. Turn the ignition switch to the "OFF" position and turn off all electrical accessories.
2. Remove the cover.
3. Determine which fuse may be blown. Look at the back side of each fuse box cover and refer to "Fuses and circuits" P446.



4. Pull out the fuse with the fuse puller.
5. Inspect the fuse. If it has blown, replace it with a spare fuse of the same rating.
6. If the same fuse blows again, this indicates that its system has a problem. Contact your SUBARU dealer for repairs.

## 11-21. Installation of accessories

Always consult your SUBARU dealer before installing fog lights or any other electrical equipment in your vehicle. Such accessories may cause the electronic system to malfunction if they are incorrectly installed or if they are not suited for the vehicle.

## 11-22. Replacing bulbs

### ⚠ WARNING

Bulbs may become very hot while illuminated. Before replacing bulbs, turn off the lights and wait until the bulbs cool down. Otherwise, there is a risk of sustaining a burn injury.

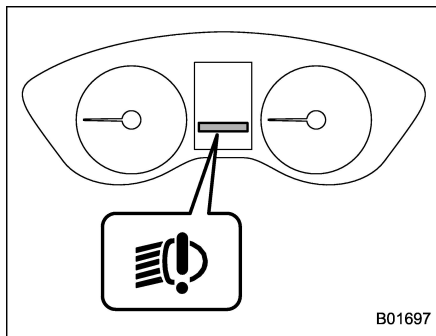
### ⚠ CAUTION

Replace any bulb only with a new bulb of the specified wattage. Using a bulb of different wattage could result in a fire. For the specified wattage of each bulb, refer to “Bulb chart” P450.

### NOTE

For models with type B combination meter, if SRH is malfunctioning, the SRH OFF indicator appears on the combination meter when the ignition switch is in the “ON” position. It indicates that SRH has been deactivated. Contact a SUBARU dealer for an inspection.

### ■ Headlights



#### LED headlight warning light

The LED headlight warning light illuminates if the LED headlights malfunction. Have your vehicle inspected at a SUBARU dealer as soon as possible.

### ■ Front turn signal light

It may be difficult to replace the bulbs. Have the bulbs replaced by your SUBARU dealer if necessary.

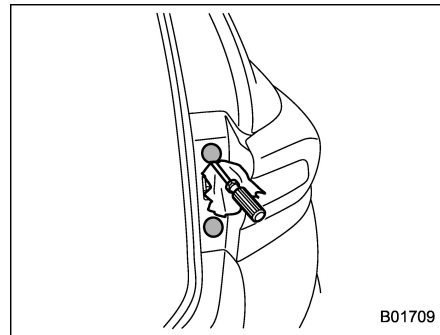
### ■ Parking light

The parking lights are the LED. Consult your SUBARU dealer for replacement.

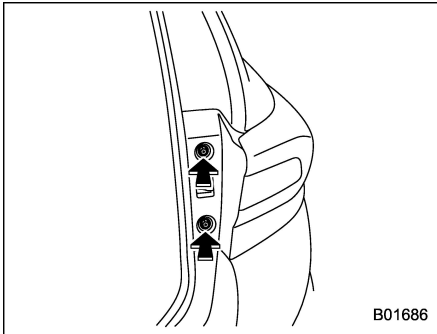
### ■ Front fog light

The front fog lights are the LED. Consult your SUBARU dealer for replacement.

### ■ Rear combination lights

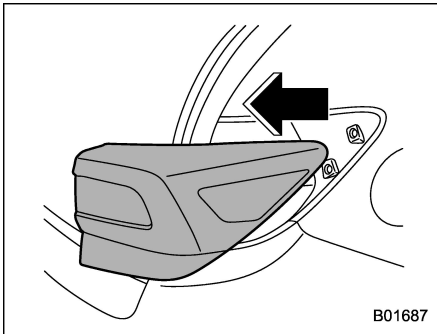


1. Remove the covers.



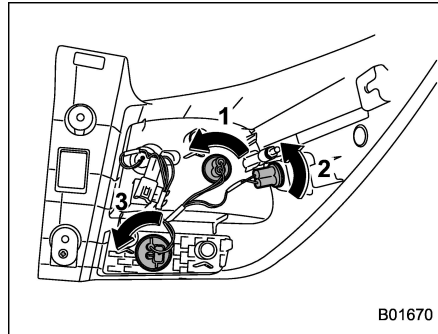
B01686

2. Using a Phillips screwdriver, remove the upper and lower screws that secure the rear combination light assembly.



B01687

3. Slide the rear combination light assembly rearward and remove it from the vehicle.



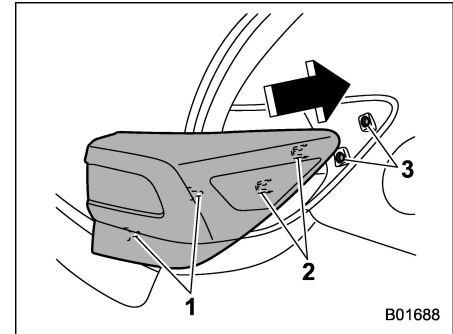
B01670

- 1) Tail light
- 2) Rear side marker light
- 3) Rear turn signal light

4. Remove the bulb socket from the rear combination light assembly by turning it counterclockwise.

5. Pull the bulb out of the bulb socket and replace it with a new one.

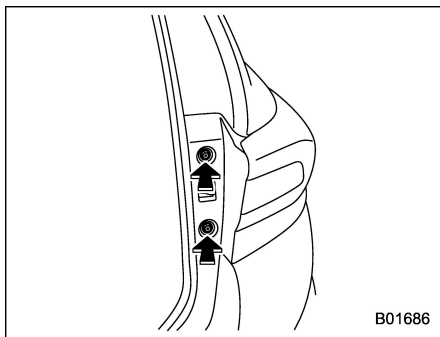
6. Set the bulb socket into the rear combination light assembly and turn it clockwise until it locks.



B01688

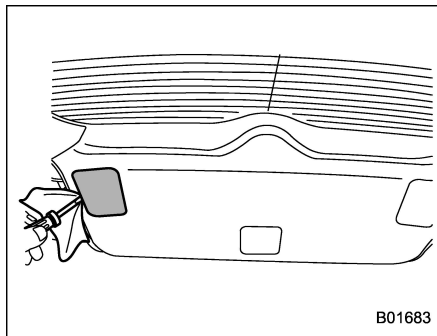
- 1) Guide pins
- 2) Catch
- 3) Clip

7. Put the rear combination light assembly into place while aligning the 2 guide pins and a catch with the guide holes and a clip on the vehicle.

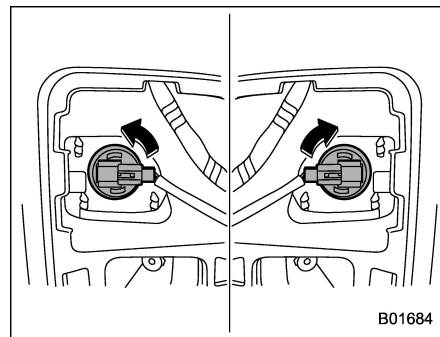


8. Tighten the upper and lower screws.
9. Reinstall the covers.

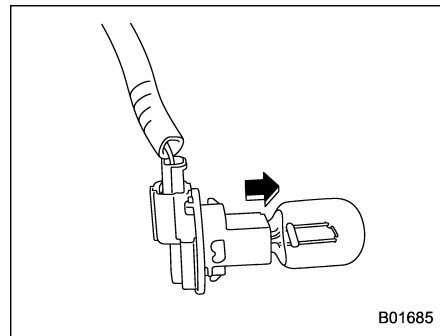
## ■ Backup light



1. Apply a flat-head screwdriver to the light cover as shown in the illustration, and pry the light cover off from the rear gate trim.



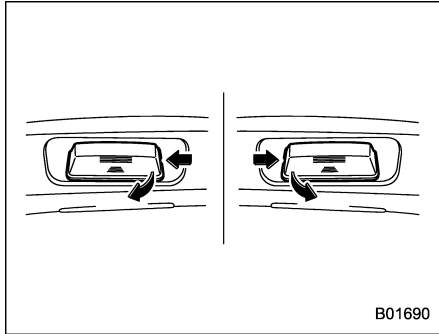
2. For left side light, turn the bulb socket clockwise and remove it.  
For right side light, turn the bulb socket counterclockwise and remove it.



3. Pull the bulb out of the bulb socket and replace it with a new one.

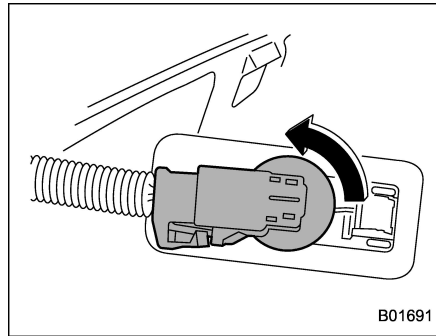
4. Install the bulb socket by turning it clockwise.
5. Install the light cover on the rear gate.

### ■ License plate light



B01690

1. The license plate lights must be pushed outwards, and then pulled out to be removed.



B01691

2. Turn the bulb socket counterclockwise and pull out the socket.
3. Pull the bulb out of the socket.
4. Install a new bulb.
5. Reinstall the bulb socket and the license plate light cover.

### ■ Map light



**CAUTION**

Replacing the bulb could cause burns since the bulb may be very hot. Have the bulb replaced by your SUBARU dealer.

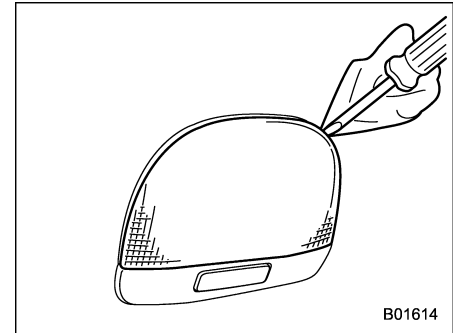
### ■ Vanity mirror light



**CAUTION**

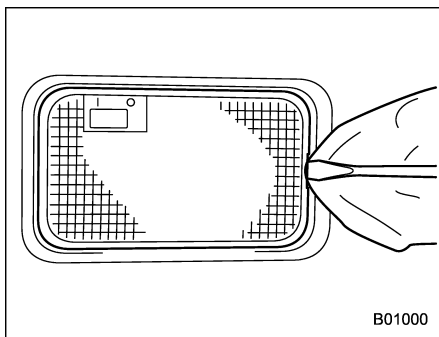
Replacing the bulb could cause burns since the bulb may be very hot. Have the bulb replaced by your SUBARU dealer.

### ■ Dome light and cargo area light



B01614

Dome light



Cargo area light

1. Remove the lens by prying the edge of the lens with a flat-head screwdriver.
2. Pull the bulb out of the socket.
3. Install a new bulb.
4. Reinstall the lens.

### ■ Other bulbs

It may be difficult to replace the bulbs. Have the bulbs replaced by your SUBARU dealer if necessary.

## 11-23. Replacing key battery

The access key fob battery may be discharged under the following conditions.

- The operation of the keyless access function is unstable
- The operating distance of the remote keyless entry system is unstable

Replace the battery with a new one.

### ■ Safety precautions

#### CAUTION

- Do not let dust, oil or water get on or in the access key fob/transmitter when replacing battery.
- Before replacing the battery, remove any static electricity.
- Be careful not to touch or damage the printed circuit board in the access key fob/transmitter when replacing the battery.
- Be careful not to allow children to touch the battery and any removed parts; children could swallow them.
- There is a danger of an explosion if the battery is incorrectly replaced. Replace only with the

same or equivalent type of the battery.

- Batteries should not be exposed to excessive heat such as bright sunlight, fire or the like.

### NOTE

- Replace only with the same or equivalent type of battery recommended by the manufacturer.
- Dispose of used batteries according to local laws.
- Mount the battery in the correct orientation to prevent fluid leakage. Be careful not to bend the terminals. It may result in a malfunction.
- It is recommended that the battery be replaced by a SUBARU dealer.
- Use a new battery.
- After replacing the battery, confirm that the transmitter functions properly.

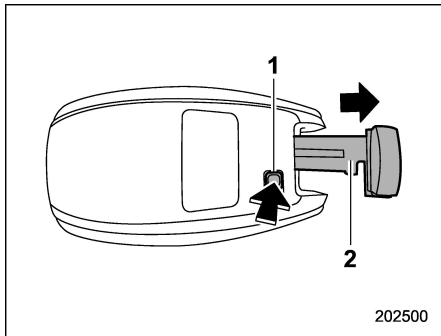


■ Replacing battery of access key fob

**CAUTION**

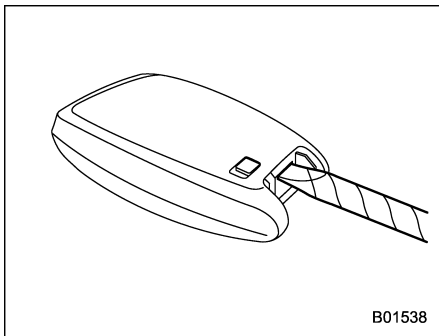
When removing or reinstalling the access key fob cover, make sure that the plastic part does not come off or become misaligned.

**Battery:** Button battery CR2032 or equivalent

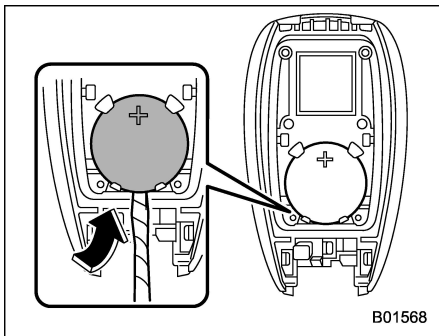


- 1) Release button
- 2) Emergency key

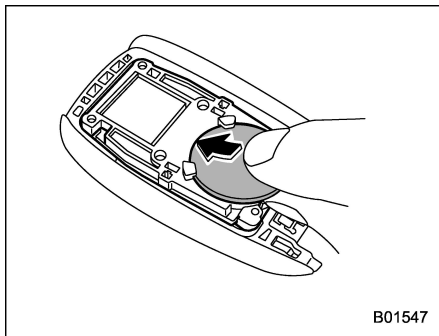
1. Take out the emergency key.



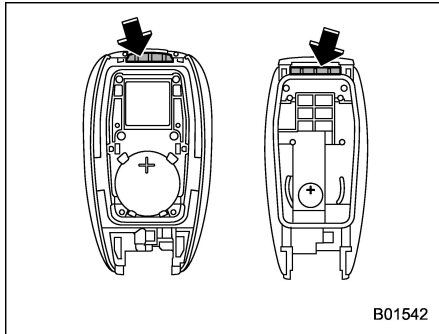
2. Wrap a flat-head screwdriver with vinyl tape or a cloth, and insert it in the gap to remove the cover.



3. Take out the battery using a flat-head screwdriver with vinyl tape or a cloth.



4. Insert a new battery with its positive (+) side facing upward as shown in the figure.



5. Attach the cover to the access key fob by fitting the projections and recesses together.



<b>12-1. Specifications</b> .....	<b>440</b>	<b>Tires</b> .....	<b>444</b>
Dimensions .....	440	<b>Brake pedal</b> .....	445
Engine.....	440	<b>Brake disc</b> .....	445
Electric motor (traction motor) .....	441	<b>Brake pad</b> .....	445
High voltage battery .....	441	<b>12-2. Fuses and circuits</b> .....	<b>446</b>
Fuel.....	441	Fuse panel located in the passenger	
Engine oil .....	441	compartment.....	446
Front differential and rear differential gear oil .....	443	Fuse panel located in the engine compartment...	448
Fluids .....	443	<b>12-3. Bulb chart</b> .....	<b>450</b>
Engine coolant .....	444	Safety precautions .....	450
Inverter with converter assembly coolant .....	444	Bulb chart.....	451
Electrical system .....	444	<b>12-4. Vehicle identification</b> .....	<b>453</b>

## 12-1. Specifications

These specifications are subject to change without notice.

### ■ Dimensions

Item		in (mm)
Overall length		175.8 (4,465)
Overall width		71.0 (1,800)
Overall height		62.8 (1,595)
Wheel base		104.9 (2,665)
Tread	Front	61.0 (1,550)
	Rear	61.2 (1,555)
Ground clearance*1		8.7 (220)

\*1: Measured with vehicle empty

### ■ Engine

Engine model	FB20 (2.0 L, DOHC, non-turbo)
Engine type	Horizontally opposed, liquid cooled 4 cylinder, 4-stroke direct injection gasoline engine
Displacement cu-in (cc)	122 (1,995)
Bore × Stroke in (mm)	3.31 × 3.54 (84.0 × 90.0)
Compression ratio	13.5 : 1
Firing order	1 – 3 – 2 – 4

**■ Electric motor (traction motor)**

Type	Permanent magnet synchronous motor
Maximum output	88 kW
Maximum torque	149 ft·lbf (202 N·m, 20.6 kgf·m)

**■ High voltage battery**

Type	Lithium-ion battery
Voltage	3.7 V/cell
Capacity	25 Ah
Quantity	95 cells
Overall voltage	351.5 V

**■ Fuel**

Fuel requirement	Fuel tank capacity
Unleaded gasoline with 87 AKI (90 RON) or higher	13.2 US gal (50 liters, 11.0 Imp gal)

For more details, refer to “Fuel” [P281](#).

**■ Engine oil**

For the checking, adding and replacing procedure or other details, refer to “Engine oil” [P406](#).

**NOTE**

The procedure for changing the engine oil and oil filter should be performed by a properly-trained expert. It is recommended that you have this service performed by your SUBARU dealer.

▼ **Approved engine oil**

Always use the SUBARU approved engine oil. For further details, please contact your SUBARU dealer.



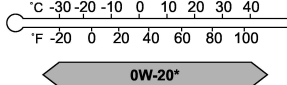
If the approved engine oil is unavailable, use the alternative engine oil described on the next page.

▼ **Alternative engine oil**

If the SUBARU approved oil is unavailable, the following alternative oil can be used.

**NOTE**

Each quantity indicated here is only a guideline. The necessary quantity for replacement may differ slightly depending on the temperature and other factors.

Oil grade	SAE viscosity No. and applicable temperature	Engine oil capacity
<div style="display: flex; justify-content: space-around; align-items: center;"> <div style="text-align: center;">  <p>ZOM0377</p> <p>API (American Petroleum Institute) classification <b>SN</b> with the words "RESOURCE CONSERVING"</p> </div> <div style="text-align: center;"> <p>or</p>  <p>ZOM0293</p> <p>ILSAC (International Lubricant Specification Advisory Committee) <b>GF-5</b>, which can be identified with the ILSAC certification mark (Starburst mark)</p> </div> </div>	<p><b>0W-20 synthetic</b> oil is the required oil for optimum engine performance and protection. Conventional oil may be used if synthetic oil is unavailable.</p> <p>*: If 0W-20 synthetic oil is not available, 5W-30 conventional oil may be used if replenishment is needed but should be changed to 0W-20 synthetic oil at the next oil change.</p> <div style="text-align: center;">  <p>ZOM0294</p> </div>	<ul style="list-style-type: none"> <li>– Adding the oil from low level to full level: 1.1 US qt (1.0 liter, 0.9 Imp qt)</li> <li>– Changing the oil and oil filter: 4.4 US qt (4.2 liters, 3.7 Imp qt)</li> </ul>

## ■ Front differential and rear differential gear oil

Oil	Front differential gear oil	Rear differential gear oil
Oil grade	<ul style="list-style-type: none"> <li>● SUBARU Extra MT*3</li> <li>● API classification GL-5 (75W-90)</li> </ul>	
Oil capacity*1	1.54 US qt (1.46 liters, 1.28 Imp qt)	0.8 US qt (0.8 liters, 0.7 Imp qt)
Remarks*2	"Front differential gear oil and rear differential gear oil" ⒸP414	

\*1: The indicated oil quantity is only a guideline. The necessary quantity for replacement may differ slightly depending on the temperature and other factors. After refilling the gearbox with oil, the oil level should be checked.

\*2: For more details about maintenance and service, refer to the indicated section.

\*3: The vehicle is filled at the factory with this type of oil.

## ■ Fluids

Fluid	Fluid type*1	Fluid capacity*2	Remarks*3
Continuously variable transmission fluid	Consult your SUBARU dealer.	6.8 US qt (6.4 liters, 5.6 Imp qt)	"Continuously variable transmission fluid" ⒸP413
Brake fluid	FMVSS No. 116, DOT 3 or DOT 4 brake fluid*4	–	"Brake fluid" ⒸP414

\*1: Use one of the indicated types of fluid.

\*2: The indicated fluid quantity is only a guideline. The necessary quantity for replacement may differ slightly depending on the temperature and other factors.

\*3: For more details about maintenance and service, refer to the indicated section.

\*4: SUBARU recommends using SUBARU genuine brake fluid.

## ■ Engine coolant

Coolant capacity	Coolant type
8.5 US qt (8.0 liters, 7.0 Imp qt)	SUBARU Super Coolant

The indicated coolant quantity is only a guideline. The necessary quantity for replacement may differ slightly depending on the temperature and other factors. For more details about maintenance and service, refer to “Cooling system” P408.

## ■ Inverter with converter assembly coolant

Coolant capacity	Coolant type
3.6 US qt (3.4 liters, 3.0 Imp qt)	SUBARU Super Coolant

The indicated coolant quantity is only a guideline. The necessary quantity for replacement may differ slightly depending on the temperature and other factors. For more details about maintenance and service, refer to “Cooling system” P408.

## ■ Electrical system

12 V battery type	55D23L
Spark plugs	DILKAR7Q8 (NGK)

## ■ Tires

Tire size	225/55R18 98H	
Wheel size	18 × 7 J	
Pressure	Front	36 psi (250 kPa, 2.5 kgf/cm <sup>2</sup> )
	Rear	35 psi (240 kPa, 2.4 kgf/cm <sup>2</sup> )
Wheel nut tightening torque	89 lbf·ft (120 N·m, 12 kgf·m)*1	

\*1: This torque is equivalent to applying approximately 88 to 110 lbf (40 to 50 kgf) at the end of the wheel nut wrench. If you have tightened the wheel nuts by yourself, have the tightening torque checked at the nearest automotive service facility as soon as possible.



**■ Brake pedal**

	in (mm)
Pedal clearance	5.47 - 5.87 (139 - 149)* <sup>1</sup>
Pedal free play	0.02 - 0.07 (0.6 - 1.9)* <sup>2</sup>

\*1: Minimum value when pedal is operated with a force of 1.8 lbf (8 N, 0.8 kgf)

\*2: This is the value when depressing the pedal by the force of 1.8 lbf (8 N, 0.8 kgf).

**■ Brake disc**

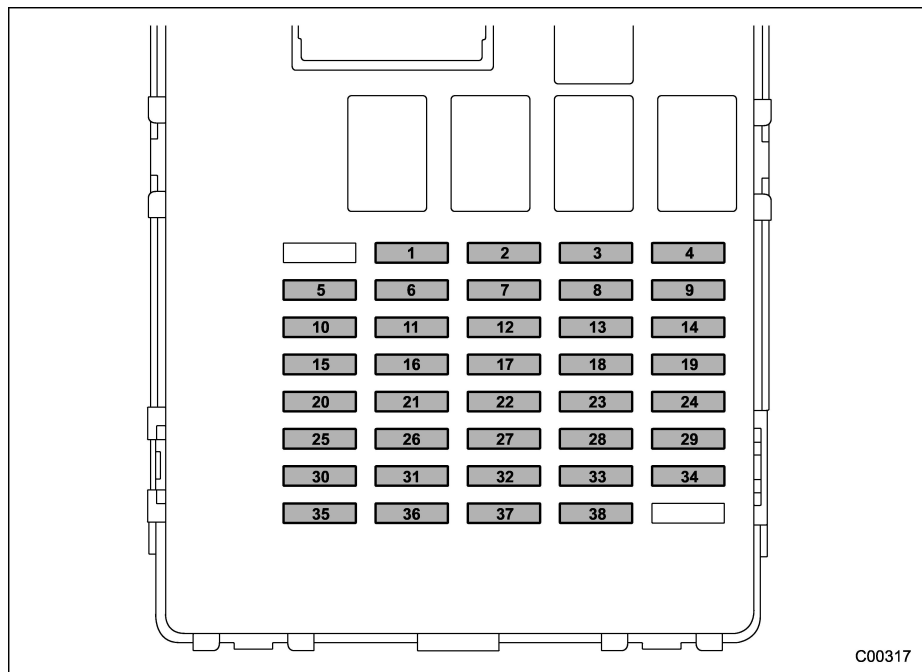
If you need information on the usage limit value of brake discs and the method for measuring them, we recommend that you consult your SUBARU dealer.

**■ Brake pad**

	in (mm)
Brake pad wear limit	0.059 (1.5)

## 12-2. Fuses and circuits

### ■ Fuse panel located in the passenger compartment

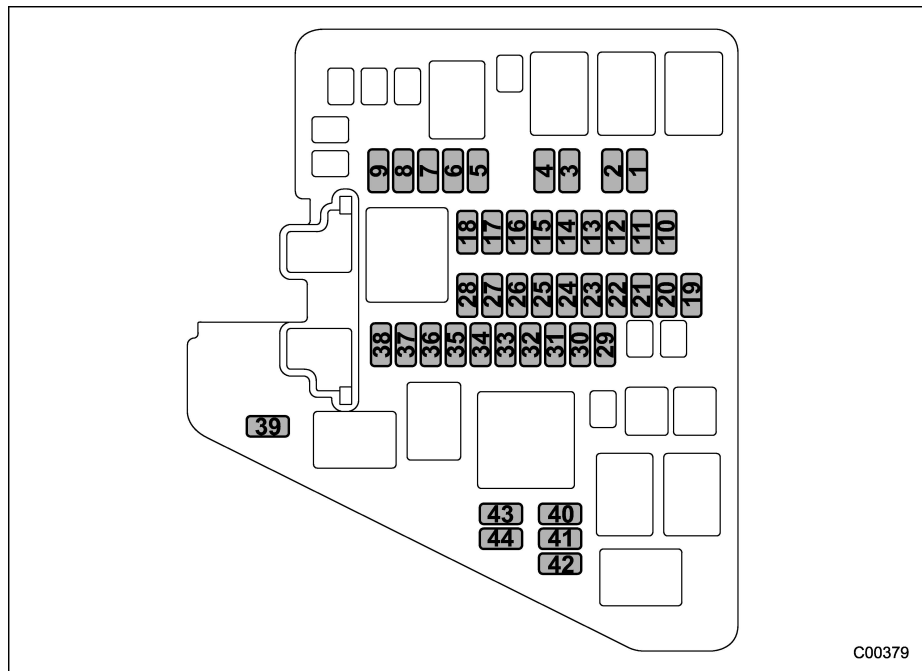


C00317

Fuse panel	Fuse rating	Circuit
1	Empty	
2	20 A	CIGAR SEAT/H
3	7.5 A	IG A-1
4	15 A	AUDIO NAVI
5	15 A	IG B-2
6	15 A	BATT FAN
7	15 A	12 V SOCKET
8	15 A	A/C IG
9	7.5 A	ACC
10	7.5 A	IG B-1
11	10 A	IGCT No.4
12	Empty	
13	7.5 A	IG A-3
14	7.5 A	UNIT +B
15	7.5 A	METER IG
16	10 A	PM IGCT
17	7.5 A	MIRROR
18	7.5 A	LAMP IG
19	10 A	IG A-2
20	10 A	SRS AIR BAG

Fuse panel	Fuse rating	Circuit
21	10 A	IGCT No.2
22	15 A	STRG/H
23	10 A	DRL
24	10 A	PCU
25	10 A	UNIT +B2
26	10 A	BACK UP
27	15 A	PLUG LOCK
28	20 A	TRAIL R.FOG
29	10 A	INV W/P
30	7.5 A	UNIT +B (IG-B)
31	Empty	
32	7.5 A	ILLUMI
33	7.5 A	KEY SW A
34	10 A	IGCT No.3
35	10 A	UNIT +B3
36	7.5 A	KEY SW B
37	7.5 A	STOP
38	7.5 A	EYE SIGHT

## ■ Fuse panel located in the engine compartment



Fuse panel	Fuse rating	Circuit
1	7.5 A	HORN 2
2	7.5 A	HORN 1
3	15 A	H/L LO RH
4	15 A	H/L LO LH
5	30 A	IGCT SCENE
6	10 A	H/L HI RH
7	10 A	H/L HI LH
8	10 A	TAIL
9	10 A	ODS
10	7.5 A	OBD
11	7.5 A	PU B/UP
12	15 A	IG-B
13	15 A	HAZARD
14	20 A	FUEL
15	Empty	
16	10 A	MB-B
17	15 A	D/L
18	10 A	DCM
19	Empty	
20	Empty	
21	15 A	IG COIL

Fuse panel	Fuse rating	Circuit
22	10 A	AVCS
23	10 A	E/G2
24	Empty	
25	Empty	
26	20 A	O2 HTR
27	15 A	E/G1
28	Empty	
29	30 A	BACKUP
30	25 A	R. DEF
31	20 A	AUDIO
32	30 A	VDC SOL
33	25 A	MAIN FAN
34	25 A	SUB FAN
35	10 A	DEICER
36	15 A	F. FOG
37	15 A	BLOWER
38	15 A	BLOWER
39	Empty	
40	30 A	F. WIPER
41	15 A	F. WASH
42	15 A	R. WIPER
43	10 A	AHB-R (BI1)
44	10 A	AHB-R (BI2)

## 12-3. Bulb chart

---

### ■ Safety precautions



#### **WARNING**

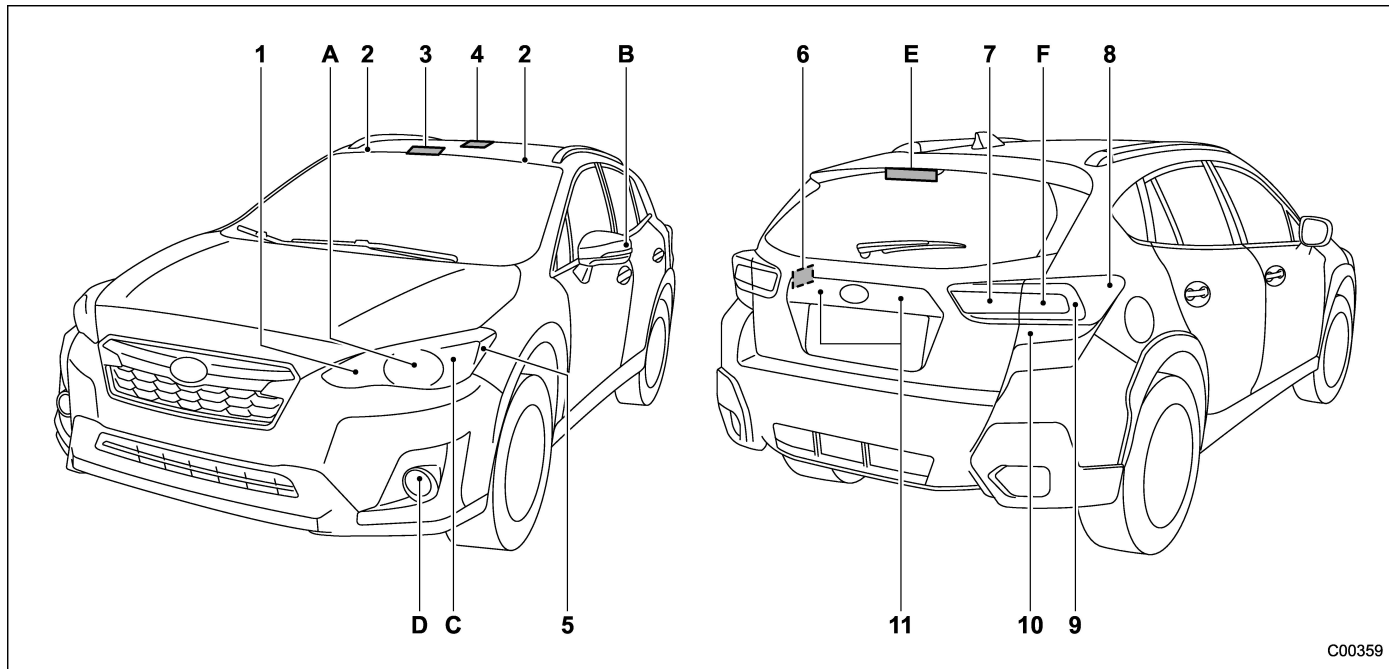
Bulbs may become very hot while illuminated. Before replacing bulbs, turn off the lights and wait until the bulbs cool down. Otherwise, there is a risk of sustaining a burn injury.



#### **CAUTION**

Replace any bulb only with a new bulb of the specified wattage. Using a bulb of different wattage could result in a fire.

■ Bulb chart



**NOTE**

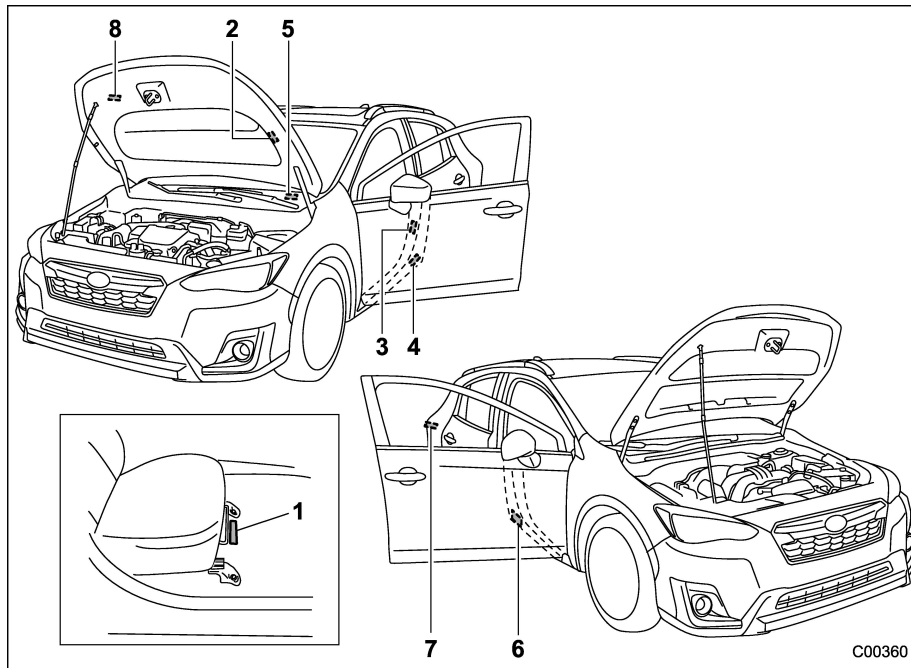
Lights A, B, C, D, E and F are the LED (Light Emitting Diode) type. Consult your SUBARU dealer for replacement.

Specifications

	<b>Wattage</b>	<b>Bulb No.</b>
1) Front turn signal light	12 V-28 W	7444NA
2) Vanity mirror light	12 V-2 W	–
3) Map light	12 V-8 W	–
4) Dome light	12 V-8 W	–
5) Front side marker light	12 V-5 W	W5W
6) Cargo area light	12 V-5 W	W5W
7) Backup light	12 V-21 W	W21W
8) Rear side marker light	12 V-5 W	W5W
9) Tail light	12 V-5 W	W5W
10) Rear turn signal light	12 V-21 W	WY21W
11) License plate light	12 V-5 W	W5W
A) Low and high beam headlight	–	–
B) Side turn signal light	–	–
C) Front position light/Daytime running light/Parking light	–	–
D) Front fog light	–	–
E) High-mounted stop light	–	–
F) Stop light	–	–



## 12-4. Vehicle identification



- 1) Vehicle identification number (under the floor carpet of the right-hand front seat)
- 2) Emission control label
- 3) Tire inflation pressure label
- 4) Certification label
- 5) Vehicle identification number plate
- 6) Model number label
- 7) Fuel label
- 8) Air conditioner label



# ***Consumer information and Reporting safety defects***

<b>13-1. For U.S.A. ....</b>	<b>456</b>	<b>13-3. Vehicle load limit – how to determine .....</b>	<b>465</b>
<b>13-2. Tire information .....</b>	<b>456</b>	Calculating total and load capacities varying	
Tire labeling .....	456	seating configurations.....	466
Recommended tire inflation pressure.....	458	<b>13-4. Uniform tire quality grading standards .....</b>	<b>468</b>
Glossary of tire terminology .....	459	TREADWEAR .....	469
Tire care – maintenance and safety practices.....	464	TRACTION AA, A, B, C .....	469
Determining compatibility of tire and vehicle		TEMPERATURE A, B, C .....	469
load capacities .....	464	<b>13-5. Reporting safety defects (U.S.A.).....</b>	<b>470</b>
Adverse safety consequences of overloading			
on handling and stopping and on tires.....	464		
Steps for Determining Correct Load Limit .....	465		

### 13-1. For U.S.A.

The following information has been compiled according to Code of Federal Regulations "Title 49, Part 575".

### 13-2. Tire information

#### ■ Tire labeling

Many markings (e.g. Tire size, Tire Identification Number or TIN) are placed on the sidewall of a tire by tire manufacturers. These markings can provide you with useful information on the tire.

#### ▼ Tire size

Your vehicle comes equipped with P-Metric tire size. It is important to understand the sizing system in selecting the proper tire for your vehicles. Here is a brief review of the tire sizing system with a breakdown of its individual elements.

#### ▽ P Metric

With the P-Metric system, Section Width is measured in millimeters. To convert millimeters into inches, divide by 25.4. The Aspect Ratio (Section Height divided by Section Width) helps provide more dimensional information about the tire size.

Example:

<b>P</b>	<b>205</b>	/	<b>55</b>	<b>R</b>	<b>16</b>
(1)	(2)		(3)	(4)	(5)

- (1) P = Certain tire type used on light duty vehicles such as passenger cars
- (2) Section Width in millimeters
- (3) Aspect Ratio (= section height ÷ section width).
- (4) R = Radial Construction
- (5) Rim diameter in inches

#### ▽ Load and Speed Rating Descriptions

The load and speed rating descriptions will appear following the size designation.

They provide two important facts about the tire. First, the number designation is its load index. Second, the letter designation indicates the tire's speed rating.

**Example:**

**P 205 / 55 R 16 89 V**  
 Size designation (6) (7)

(6) Load Index: A numerical code which specifies the maximum load a tire can carry at the speed indicated by its speed symbol, at maximum inflation pressure.

For example, “90” means 1,323 lbs (600 kg), “89” means 1,278 lbs (580 kg).

**⚠ WARNING**

**Load indices apply only to the tire, not to the vehicle. Putting a load rated tire on any vehicle does not mean the vehicle can be loaded up to the tire’s rated load.**

(7) Speed Rating: An alphabetical system describing a tire’s capability to travel at established and predetermined speeds.

For example, “V” means 149 mph (240 km/h)

**⚠ WARNING**

- **Speed ratings apply only to the tire, not to the vehicle. Putting a speed rated tire on any vehicle does not mean the vehicle can be operated at the tire’s rated speed.**
- **The speed rating is void if the tires are worn out, damaged, repaired, retreaded, or otherwise altered from their original condition. If tires are repaired, retreaded, or otherwise altered, they may not be suitable for original equipment tire designed loads and speeds.**

**▼ Tire Identification Number (TIN)**

Tire Identification Number (TIN) is marked on the intended outboard sidewall. The TIN is composed of four groups. Here is a brief review of the TIN with a breakdown of its

individual elements.

**DOT XX XX XXX XXXX**  
 (1) (2) (3) (4)

- (1) Manufacturer’s Identification Mark
- (2) Tire Size
- (3) Tire Type Code
- (4) Date of Manufacture

The first two figures identify the week, starting with “01” to represent the first full week of the calendar year; the second two figures represent the year. For example, 0101 means the 1st week of 2001.

**▼ Other markings**

The following markings are also placed on the sidewall.

**▽ Maximum permissible inflation pressure**

The maximum cold inflation pressure to which this tire may be inflated. For example, “300 kPa (44 PSI) MAX. PRESS”

Consumer information and Reporting safety defects

▽ **Maximum load rating**

The load rating at the maximum permissible weight load for this tire. For example, “MAX. LOAD 580 kg (1279 LBS) @ 300 kPa (44 PSI) MAX. PRESS.”

**⚠ WARNING**

**Maximum load rating applies only to the tire, not to the vehicle. Putting a load rated tire on any vehicle does not mean the vehicle can be loaded up to the tire’s rated load.**

▽ **Construction type**

Applicable construction of this tire. For example, “TUBELESS STEEL BELTED RADIAL”

▽ **Construction**

The generic name of each cord material used in the plies (both sidewall and tread area) of this tire. For example, “PLIES: TREAD 2

STEEL + 2 POLYESTER SIDE-WALL 2 POLYESTER”

▽ **Uniform Tire Quality Grading (UTQG)**

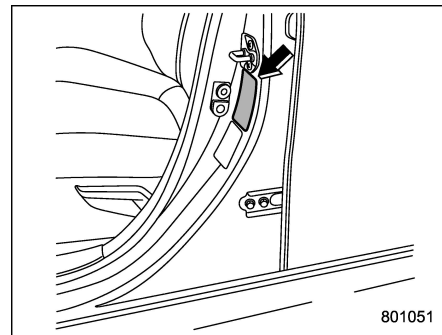
For details, refer to “Uniform tire quality grading standards” P468.

■ **Recommended tire inflation pressure**

▼ **Recommended cold tire inflation pressure**

For recommended cold tire inflation pressure for your vehicle’s tires, refer to “Tires” P444.

▼ **Vehicle placard**



The vehicle placard is attached to the driver’s side door pillar.

**Example:**

TIRE AND LOADING INFORMATION RENSEIGNEMENTS SUR LES PNEUS ET LE CHARGEMENT			
SEATING CAPACITY NOMBRE DE PLACES		TOTAL X	FRONT X AVANT
			REAR X ARRIERE
The combined weight of occupants and cargo should never exceed XXXkg or XXXlbs. Le poids total des occupants et du chargement ne doit jamais dépasser XXXkg ou XXXlbs.			
TIRE PNEU	SIZE DIMENSIONS	COLD TIRE PRESSURE PRESSION DES PNEUS A FROID	SEE OWNER'S MANUAL FOR ADDITIONAL INFORMATION  VOIR LE MANUEL DE L'USAGER POUR PLUS DE RENSEIGNEMENTS
FRONT AVANT	PXXX/XXRXX	XXXKPA, XXPSI	
REAR ARRIERE	PXXX/XXRXX	XXXKPA, XXPSI	
SPARE DE SECOURS	TXXX/XXDXX	XXXKPA, XXPSI	
			D00155

The vehicle placard shows original tire size, recommended cold tire inflation pressure on each tire at maximum loaded vehicle weight, seating capacity and loading information.

▼ **Adverse safety consequences of under-inflation**

Driving at high speeds with excessively low tire pressures can cause the tires to flex severely and to rapidly become hot. A sharp in-

crease in temperature could cause tread separation, and failure of the tire(s). Possible resulting loss of vehicle control could lead to an accident.

### ▼ **Measuring and adjusting air pressure to achieve proper inflation**

Check and, if necessary, adjust the pressure of each tire at least once a month and before any long journey. Check the tire pressures when the tires are cold. Use a pressure gauge to adjust the tire pressures to the specific values. Driving even a short distance warms up the tires and increases the tire pressures. Also, the tire pressures are affected by the outside temperature. It is best to check tire pressure outdoors before driving the vehicle. When a tire becomes warm, the air inside it expands, causing the tire pressure to increase. Be careful not to mistakenly release air from a warm tire to reduce its pressure.

### ■ **Glossary of tire terminology**

#### ● **Accessory weight**

The combined weight (in excess of those standard items which may be replaced) of automatic transmission, power steering, power brakes, power windows, power seats, radio, and heater, to the extent that these items are available as factory-installed equipment (whether installed or not).

#### ● **Bead**

The part of the tire that is made of steel wires, wrapped or reinforced by ply cords and that is shaped to fit the rim.

#### ● **Bead separation**

A breakdown of the bond between components in the bead.

#### ● **Bias ply tire**

A pneumatic tire in which the ply cords that extend to the beads are laid at alternate angles substantially less than 90 degrees to the centerline of the tread.

#### ● **Carcass**

The tire structure, except tread and

sidewall rubber which, when inflated, bears the load.

#### ● **Chunking**

The breaking away of pieces of the tread or sidewall.

#### ● **Cold tire pressure**

The pressure in a tire that has been driven less than 1 mile or has been standing for three hours or more.

#### ● **Cord**

The strands forming the plies in the tire.

#### ● **Cord separation**

The parting of cords from adjacent rubber compounds.

#### ● **Cracking**

Any parting within the tread, sidewall, or inner liner of the tire extending to cord material.

#### ● **Curb weight**

The weight of a motor vehicle with standard equipment including the maximum capacity of fuel, oil and coolant, and if so equipped, air conditioning and additional weight optional engine.

- **Extra load tire**

A tire designed to operate at higher loads and higher inflation pressure than the corresponding standard tire.

- **Groove**

The space between two adjacent tread ribs.

- **Innerliner**

The layer(s) forming the inside surface of a tubeless tire that contains the inflating medium within the tire.

- **Innerliner separation**

The parting of the innerliner from cord material in the carcass.

- **Intended outboard sidewall**

(1) The sidewall that contains a whitewall, bears white lettering or bears manufacturer, brand, and/or model name molding that is higher or deeper than the same molding on the other sidewall of the tire, or

(2) The outward facing sidewall of an asymmetrical tire that has a particular side that must always face outward when mounting on

a vehicle.

- **Light truck (LT) tire**

A tire designated by its manufacturer as primarily intended for use on lightweight trucks or multipurpose passenger vehicles.

- **Load rating**

The maximum load that a tire is rated to carry for a given inflation pressure.

- **Maximum inflation pressure**

The maximum cold inflation pressure to which a tire may be inflated.

- **Maximum load rating**

The load rating for a tire at the maximum permissible inflation pressure for that tire.

- **Maximum loaded vehicle weight**

The sum of:

- (a) Curb weight
- (b) Accessory weight
- (c) Vehicle capacity weight
- (d) Production options weight

- **Maximum permissible inflation pressure**

The maximum cold inflation pressure to which a tire may be inflated.

- **Measuring rim**

The rim on which a tire is fitted for physical dimension requirements.

- **Normal occupant weight**

150 lbs (68 kg) times the number of occupants specified in the second column of Table 1 that is appended to the end of this section.

- **Occupant distribution**

Distribution of occupants in a vehicle as specified in the third column of Table 1 that is appended to the end of this section.

- **Open splice**

Any parting at any junction of tread, sidewall, or innerliner that extends to cord material.

- **Outer diameter**

The overall diameter of an inflated new tire.

- **Overall width**

The linear distance between the exteriors of the sidewalls of an inflated tire, including elevations due to labeling, decorations, or protective bands or ribs.



- **Passenger car tire**

A tire intended for use on passenger cars, multipurpose passenger vehicles, and trucks, that have a gross vehicle weight rating (GVWR) of 10,000 lbs (4,535 kg) or less.

- **Ply**

A layer of rubber-coated parallel cords.

- **Ply separation**

A parting of rubber compound between adjacent plies.

- **Pneumatic tire**

A mechanical device made of rubber, chemicals, fabric and steel or other materials, that, when mounted on an automotive wheel, provides the traction and contains the gas or fluid that sustains the load.

- **Production options weight**

The combined weight of those installed regular production options weighing over 5.1 lbs (2.3 kg) in excess of those standard items which they replace, not previously considered in curb weight or acces-

sory weight, including heavy duty brakes, ride levelers, roof rack, heavy duty battery, and special trim.

- **Radial ply tire**

A pneumatic tire in which the ply cords that extend to the beads are laid at substantially 90 degrees to the centerline of the tread.

- **Recommended inflation pressure**

The cold inflation pressure recommended by a vehicle manufacturer.

- **Reinforced tire**

A tire designed to operate at higher loads and at higher inflation pressures than the corresponding standard tire.

- **Rim**

A metal support for a tire or a tire and tube assembly upon which the tire beads are seated.

- **Rim diameter**

Nominal diameter of the bead seat.

- **Rim size designation**

Rim diameter and width.

- **Rim type designation**

The industry of manufacturer's designation for a rim by style or code.

- **Rim width**

Nominal distance between rim flanges.

- **Section width**

The linear distance between the exteriors of the sidewalls of an inflated tire, excluding elevations due to labeling, decoration, or protective bands.

- **Sidewall**


That portion of a tire between the tread and bead.

- **Sidewall separation**

The parting of the rubber compound from the cord material in the sidewall.

- **Snow tire**

A tire that attains a traction index equal to or greater than 110, compared to the ASTM E-1136 Standard Reference Test Tire, when using the snow traction test as described in ASTM F-1805-00, Standard Test Method for Single

Wheel Driving Traction in a Straight Line on Snow-and Ice-Covered Surfaces, and which is marked with an Alpine Symbol “” on at least one sidewall.

- **Test rim**

The rim on which a tire is fitted for testing, and it may be any rim listed as appropriate for use with that tire.

- **Tread**

That portion of a tire that comes into contact with the road.

- **Tread rib**

A tread section running circumferentially around a tire.

- **Tread separation**

Pulling away of the tread from the tire carcass.

- **Treadwear indicators (TWI)**

The projections within the principal grooves designed to give a visual indication of the degrees of wear of the tread.

- **Vehicle capacity weight**

The rated cargo and luggage load plus 150 lbs (68 kg) times the vehicle’s designated seating capa-

city.

- **Vehicle maximum load on the tire**

Load on an individual tire that is determined by distributing to each axle its share of the maximum loaded vehicle weight and dividing by two.

- **Vehicle normal load on the tire**

Load on an individual tire that is determined by distributing to each axle its share of the curb weight, accessory weight, and normal occupant weight (distributed in accordance with Table 1 that is appended to the end of this section) and dividing by 2.

- **Wheel-holding fixture**

The fixture used to hold the wheel and tire assembly securely during testing.

Table 1 — Occupant loading and distribution for vehicle normal load for various designated seating capacities

Designated seating capacity, number of occupants	Vehicle normal load, number of occupants	Occupant distribution in a normally loaded vehicle
2 through 4	2	2 in front.
5 through 10	3	2 in front, 1 in second seat.
11 through 15	5	2 in front, 1 in second seat, 1 in third seat, 1 in fourth seat.
16 through 22	7	2 in front, 2 in second seat, 2 in third seat, 1 in fourth seat.

### ■ **Tire care – maintenance and safety practices**

- Check on a daily basis that the tires are free from serious damage, nails, and stones. At the same time, check the tires for abnormal wear.
- Inspect the tire tread regularly and replace the tires before their tread wear indicators become visible. When a tire's tread wear indicator becomes visible, the tire is worn beyond the acceptable limit and must be replaced immediately. With a tire in this condition, driving at even low speeds in wet weather can cause the vehicle to hydroplane. Possible resulting loss of vehicle control can lead to an accident.
- To maximize the life of each tire and ensure that the tires wear uniformly, it is best to rotate the tires every 7,500 miles (12,000 km). For information about the tire rotation order, refer to "Tire rotation" ☞ P421. Replace any damaged or unevenly worn tires at the time of

rotation. After tire rotation, adjust the tire pressures and make sure the wheel nuts are correctly tightened. For information about the tightening torque and tightening sequence for the wheel nuts, refer to "Flat tires" ☞ P366.

### ■ **Determining compatibility of tire and vehicle load capacities**

The sum of four tires' maximum load ratings must exceed the maximum loaded vehicle weight ("GVWR"). In addition, sum of the maximum load ratings of two front tires and of two rear tires must exceed each axle's maximum loaded capacity ("GAWR"). Original equipment tires are designed to fulfill those conditions.

The maximum loaded vehicle weight is referred to Gross Vehicle Weight Rating (GVWR). And each axle's maximum loaded capacity is referred to Gross Axle Weight Rating (GAWR). The GVWR and each

axle's GAWR are shown on the vehicle certification label located at the bottom of driver's side door pillar.

The GVWR and front and rear GAWRs are determined by not only the maximum load rating of tires but also loaded capacities of the vehicle's suspension, axles and other parts of the body.

Therefore, this means that the vehicle cannot necessarily be loaded up to the tire's maximum load rating on the tire sidewall.

### ■ **Adverse safety consequences of overloading on handling and stopping and on tires**

Overloading could affect vehicle handling, stopping distance, and vehicle and tire performance in the following ways. This could lead to an accident and possibly result in severe personal injury.

- Vehicle stability will deteriorate.
- Heavy and/or high-mounted

loads could increase the risk of rollover.

- Stopping distance will increase.
- Brakes could overheat and fail.
- Suspension, bearings, axles and other body parts could break or experience accelerated wear that will shorten vehicle life.
- Tires could fail.
- Tread separation could occur.
- Tire could separate from its rim.

### ■ Steps for Determining Correct Load Limit

1. Locate the statement “The combined weight of occupants and cargo should never exceed XXX kg or XXX lbs.” on your vehicle’s placard.
2. Determine the combined weight of the driver and passengers that will be riding in your vehicle.
3. Subtract the combined weight of the driver and passengers from XXX kg or XXX lbs.
4. The resulting figure equals the available amount of cargo and

luggage load capacity. For example, if the “XXX” amount equals 1400 lbs. and there will be five 150 lb passengers in your vehicle, the amount of available cargo and luggage load capacity is 650 lbs. ( $1400 - 750 (5 \times 150) = 650$  lbs.)

5. Determine the combined weight of luggage and cargo being loaded on the vehicle. That weight may not safely exceed the available cargo and luggage load capacity calculated in Step 4.

6. If your vehicle will be towing a trailer, load from your trailer will be transferred to your vehicle. Consult this manual to determine how this reduces the available cargo and luggage load capacity of your vehicle.

### **13-3. Vehicle load limit – how to determine**

The load capacity of your vehicle is determined by weight, not by available cargo space. The load limit of your vehicle is shown on the vehicle placard attached to the driver’s side door pillar. Locate the statement “The combined weight of occupants and cargo should never exceed XXX kg or XXX lbs” on your vehicle’s placard.

The vehicle placard also shows seating capacity of your vehicle.

The total load capacity includes the total weight of driver and all passengers and their belongings, any cargo, any optional equipment such as a trailer hitch, roof rack or bike carrier, etc., and the tongue load of a trailer. Therefore cargo capacity can be calculated by the following method.

Cargo capacity = Load limit – (total weight of occupants + total weight

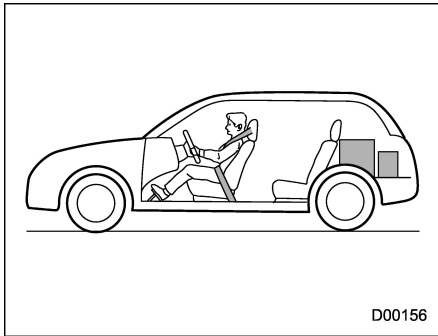
of optional equipment + tongue load of a trailer (if applicable))

For information about vehicle loading, refer to “Loading your vehicle” P346.

**■ Calculating total and load capacities varying seating configurations**

Calculate the available load capacity as shown in the following examples:

**Example 1A**



Vehicle capacity weight of the vehicle is 900 lbs (408 kg), which is

indicated on the vehicle placard with the statement “The combined weight of occupants and cargo should never exceed 900 lbs or 408 kg”.

For example, if the vehicle has one occupant weighing 154 lbs (70 kg) plus cargo weighing 662 lbs (300 kg).

1. Calculate the total weight.

**Total weight**

$$= \frac{154 \text{ lbs (70 kg)}}{\text{(Occupant)}} + \frac{662 \text{ lbs (300 kg)}}{\text{(Cargo)}}$$

$$= \mathbf{816 \text{ lbs (370 kg)}}$$

2. Calculate the available load capacity by subtracting the total weight from the vehicle capacity weight of 900 lbs (408 kg).

**Available Load Capacity**

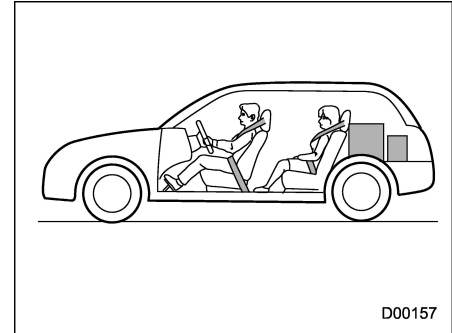
$$= \frac{900 \text{ lbs (408 kg)}}{\text{(Vehicle capacity weight)}} - \frac{816 \text{ lbs (370 kg)}}{\text{(Total weight)}}$$

$$= \mathbf{84 \text{ lbs (38 kg)}}$$

3. The result of step 2 shows that a

further 84 lbs (38 kg) of cargo can be carried.

**Example 1B**



For example, if a person weighing 176 lbs (80 kg) now enters the same vehicle (bringing the number of occupants to two), the calculations are as follows.

1. Calculate the total weight.

**Total weight**

$$= \frac{154 \text{ lbs (70 kg)} + 176 \text{ lbs (80 kg)}}{\text{(Occupant)}}$$

$$+ \frac{662 \text{ lbs (300 kg)}}{\text{(Cargo)}}$$

$$= \mathbf{992 \text{ lbs (450 kg)}}$$

2. Calculate the available load capacity.

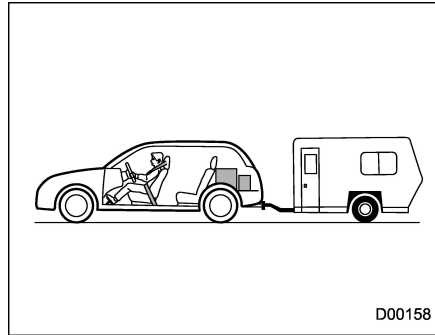
**Available Load Capacity**

$$= \frac{900 \text{ lbs (408 kg)}}{\text{(Vehicle capacity weight)}} - \frac{992 \text{ lbs (450 kg)}}{\text{(Total weight)}}$$

$$= \mathbf{-92 \text{ lbs (-42 kg)}}$$

3. The total weight now exceeds the capacity weight by 92 lbs (42 kg), so the cargo weight must be reduced by 92 lbs (42 kg) or more.

**Example 2A**



Vehicle capacity weight of the vehicle is 900 lbs (408 kg), which is indicated on the vehicle placard with the statement “The combined weight of occupants and cargo should never exceed 408 kg or 900 lbs”.

For example, the vehicle has one occupant weighing 165 lbs (75 kg) plus cargo weighing 375 lbs (170 kg). In addition, the vehicle is fitted with a trailer hitch weighing 22 lbs (10 kg), to which is attached a trailer weighing 1,764 lbs (800 kg). 10% of the trailer weight is applied to the

trailer tongue (i.e. Tongue load = 176 lbs (80 kg)).

1. Calculate the total weight.

**Total weight**

$$= \frac{165 \text{ lbs (75 kg)}}{\text{(Occupant)}} + \frac{375 \text{ lbs (170 kg)}}{\text{(Cargo)}}$$

$$+ \frac{22 \text{ lbs (10 kg)}}{\text{(Trailer hitch)}} + \frac{176 \text{ lbs (80 kg)}}{\text{(Tongue load)}}$$

$$= \mathbf{738 \text{ lbs (335 kg)}}$$

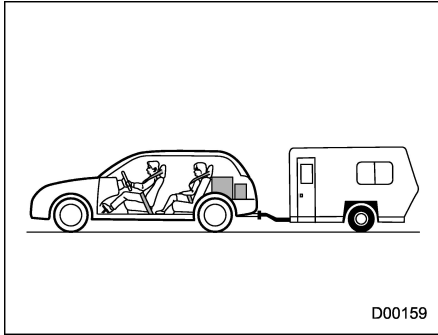
2. Calculate the available load capacity.

**Available Load Capacity**

$$= \frac{900 \text{ lbs (408 kg)}}{\text{(Vehicle capacity weight)}} - \frac{738 \text{ lbs (335 kg)}}{\text{(Total weight)}}$$

$$= \mathbf{162 \text{ lbs (73 kg)}}$$

3. The result of step 2 shows that a further 162 lbs (73 kg) of cargo can be carried.

**Example 2B**

For example, if a person weighing 143 lbs (65 kg) and a child weighing 40 lbs (18 kg) now enter the same vehicle (bringing the number of occupants to three), and a child restraint system weighing 11 lbs (5 kg) is installed in the vehicle for the child to use, the calculations are as follows.

1. Calculate the total weight.

**Total weight**

$$\begin{aligned}
 &= \frac{165 \text{ lbs (75 kg)} + 143 \text{ lbs (65 kg)}}{\text{(Occupant)}} \\
 &+ \frac{40 \text{ lbs (18 kg)}}{\text{(Occupant)}} \\
 &+ \frac{11 \text{ lbs (5 kg)}}{\text{(Child restraint)}} + \frac{375 \text{ lbs (170 kg)}}{\text{(Cargo)}} \\
 &+ \frac{22 \text{ lbs (10 kg)}}{\text{(Trailer hitch)}} + \frac{176 \text{ lbs (80 kg)}}{\text{(Tongue load)}} \\
 &= \mathbf{932 \text{ lbs (423 kg)}}
 \end{aligned}$$

2. Calculate the available load capacity.

**Available Load Capacity**

$$\begin{aligned}
 &= \frac{900 \text{ lbs (408 kg)}}{\text{(Vehicle capacity weight)}} - \frac{932 \text{ lbs (423 kg)}}{\text{(Total weight)}} \\
 &= \mathbf{-32 \text{ lbs (-15 kg)}}
 \end{aligned}$$

3. The total weight now exceeds the capacity weight by 32 lbs (15 kg), so the cargo weight must be reduced by 32 lbs (15 kg) or more.

**13-4. Uniform tire quality grading standards**

This information indicates the relative performance of passenger car tires in the area of treadwear, traction, and temperature resistance. This is to aid the consumer in making an informed choice in the purchase of tires.

Quality grades can be found where applicable on the tire sidewall between tread shoulder and maximum section width.

For example:

**TREADWEAR 200 TRACTION AA TEMPERATURE A**

The quality grades apply to new pneumatic tires for use on passenger cars. However, they do not apply to deep tread, winter type snow tires, space-saver or temporary use spare tires, tires with nominal rim diameters of 12 inches or less, or to some limited production tires.



All passenger car tires must conform to Federal Safety Requirements in addition to these grades.

## ■ TREADWEAR

The treadwear grade is a comparative rating based on the wear rate of the tire when tested under controlled conditions on a specified government test course.

For example, a tire graded 150 would wear one and one-half (1-1/2) times as well on the government course as a tire graded 100. The relative performance of tires depends upon the actual conditions of their use, however, and may depart significantly from the norm due to variations in driving habits, service practices and differences in road characteristics and climate.

## ■ TRACTION AA, A, B, C

The traction grades, from highest to lowest, are AA, A, B and C. Those grades represent the tire's ability to stop on wet pavement as measured

under controlled conditions on specified government test surfaces of asphalt and concrete.

A tire marked C may have poor traction performance.



### WARNING

**The traction grade assigned to this tire is based on straight-ahead braking traction tests, and does not include acceleration, cornering, hydroplaning, or peak traction characteristics.**

## ■ TEMPERATURE A, B, C

The temperature grades are A (the highest), B, and C, representing the tire's resistance to the generation of heat and its ability to dissipate heat when tested under controlled conditions on a specified indoor laboratory test wheel.

Sustained high temperature can cause the material of the tire to degenerate and reduce tire life, and

excessive temperature can lead to sudden tire failure.

The grade C corresponds to a level of performance which all passenger car tires must meet under the Federal Motor Vehicle Safety Standards No. 109.

Grades B and A represent higher levels of performance on the laboratory test wheel than the minimum required by law.



### WARNING

**The temperature grade for this tire is established for a tire that is properly inflated and not overloaded. Excessive speed, underinflation, or excessive loading, either separately or in combination, can cause heat buildup and possible tire failure.**

### **13-5. Reporting safety defects (U.S.A.)**

---

If you believe that your vehicle has a defect which could cause a crash or could cause injury or death, you should immediately inform the National Highway Traffic Safety Administration (NHTSA) in addition to notifying Subaru of America, Inc.

If NHTSA receives similar complaints, it may open an investigation, and if it finds that a safety defect exists in a group of vehicles, it may order a recall and remedy campaign. However, NHTSA cannot become involved in individual problems between you, your dealer, or Subaru of America, Inc.

To contact NHTSA, you may call the Vehicle Safety Hotline toll-free at 1-888-327-4236 (TTY: 1-800-424-9153); go to

<http://www.safercar.gov>; or write to: Administrator, NHTSA, 1200 New Jersey Avenue, SE, West Building, Washington, DC 20590. You can

also obtain other information about motor vehicle safety from <http://www.safercar.gov>.







- A**
- Abbreviation ..... P3
  - ABS (Anti-lock Brake System) ..... P300
    - Warning light ..... P188, P300
  - Access key fob ..... P142
    - Warning light ..... P195
  - Accessories ..... P431
  - Accessory power outlet ..... P269
  - Air cleaner element ..... P411
  - Air conditioner
    - Automatic climate control ..... P252
    - Manual climate control ..... P253
  - Air filtration system ..... P258
  - Air flow mode ..... P253
  - Alarm system ..... P163
  - All-Wheel Drive warning light ..... P192
  - Alloy wheel ..... P423
    - Cleaning ..... P394
  - Antenna ..... P262
  - Anti-lock Brake System (ABS) ..... P300
  - Arming the system ..... P164
  - Ashtray ..... P272
  - Assist grip ..... P273
  - Audio
    - Antenna ..... P262
    - Set ..... P262
  - Auto dimmer cancel function ..... P181
  - Auto on/off headlights ..... P231
    - Sensor ..... P232
  - Automatic headlight beam leveler
    - Warning light ..... P200
  - Automatic Locking Retractor/Emergency Locking Retractor (ALR/ELR) ..... P81
- B**
- Battery ..... P429
    - 12V ..... P429
    - Drainage prevention function ..... P162
    - Jump starting ..... P375
    - Replacement (access key fob) ..... P437
    - Replacement (keyless access with push-button start system) ..... P154, P437
    - Replacement (remote keyless entry system) ..... P159
  - Booster seat ..... P100
  - Brake
    - Assist ..... P299
    - Booster ..... P298
    - Disc ..... P445
    - Fluid ..... P414, P443
    - Parking ..... P310
    - Pedal ..... P415
    - System ..... P298
  - Brake pad ..... P445
  - Brake system ..... P298
    - Warning light ..... P189
  - Braking ..... P298
    - Tips ..... P298
  - Breaking-in of new brake pads ..... P416
  - BSD/RCTA ..... P314
    - BSD/RCTA approach indicator light/warning buzzer ..... P318
    - BSD/RCTA OFF indicator ..... P320

- |  |                  |  |           |
|--|------------------|--|-----------|
| BSD/RCTA OFF switch.....                     | P321             | Keyless access function and charge cable<br>connector locking system ..... | P43       |
| BSD/RCTA warning indicator.....              | P321             | Power sources that can be used.....  | P39       |
| OFF indicator .....                          | P201, P204, P321 | Troubleshooting .....  | P62       |
| OFF switch .....                             | P321             | Using the Remote Battery Charging Timer .....                              | P57       |
| Warning indicator .....                      | P201, P204, P321 | CHECK ENGINE warning light/Malfunction<br>indicator light .....            | P184      |
| Warning volume.....                          | P319             | Checking   |           |
| Bulb   |                  | Coolant level (engine).....  | P409      |
| Chart.....                                   | P450             | Coolant level (Inverter with converter assembly) ....                      | P410      |
| Replacement.....                             | P432             | Engine oil level .....   | P406      |
|  |                  | Fluid level .....  | P414      |
| <b>C</b>                                     |                  | Fluid level (brake fluid).....   | P414      |
| Cargo area                                   |                  | Fluid level (washer fluid) .....   | P423      |
| Cover .....                                  | P275             | Child restraint systems .....  | P92       |
| Light.....                                   | P265, P435       | Installation of a booster seat.....  | P100      |
| Tie-down hooks .....                         | P277             | Installation with ALR/ELR seatbelt.....                                    | P96       |
| Catalytic converter .....                    | P337             | Lower and tether anchorages .....  | P101      |
| Center                                       |                  | Top tether anchorages .....  | P104      |
| Console .....                                | P267             | Child safety .....   | P4        |
| Center console .....                         | P267             | Locks.....   | P166      |
| Changing                                     |                  | Chime  |           |
| Coolant.....                                 | P410             | Light.....   | P231      |
| Oil and oil filter .....                     | P407             | Seatbelt .....   | P81, P182 |
| Charge cable.....                            | P37              | Cigarette lighter.....   | P270      |
| Charge warning light .....                   | P186             | Cleaning   |           |
| Charging.....                                | P30              | Alloy wheels .....   | P394      |
| Charge cable.....                            | P46              | Interior .....   | P395      |
| Charge port door .....                       | P43              | Ventilation grille.....  | P257      |
| Charging equipment.....                      | P42              | Climate control system.....  | P250      |
| Charging from an external power source ..... | P52              | Automatic.....   | P252      |
| Charging methods .....                       | P39              |  |           |
| Confirm the items before charging .....      | P39              |  |           |

Manual .....	P253
Clock.....	P212, P218, P228
Coat hook.....	P274
Combination meter display (color LCD) .....	P202
Console .....	P267
Continuously variable transmission (CVT).....	P291
Fluid.....	P413, P443
Coolant.....	P409, P444
Temperature high warning light.....	P185
Coolant temperature high warning light .....	P185
Cooling system.....	P408
Corrosion protection.....	P394

**D**

Daytime running light system .....	P236
Defogger .....	P244
Defrosting .....	P255
Deicer .....	P244
Differential gear oil	
Front.....	P414, P443
Rear.....	P414, P443
Dimensions .....	P440
Disarming the alarm system.....	P164
Disc brake pad wear warning indicators .....	P299
Dome light .....	P264, P435
Door	
Locks .....	P160
Open warning light.....	P192
Unlock selection function .....	P208
Double trip meter.....	P178
Drive belts .....	P413

Driver Assist indicator .....	P180, P207
Driving	
All-Wheel Drive model .....	P338
All-Wheel Drive warning light.....	P192
AWD models .....	P338
Drinking .....	P5
Drugs .....	P6
Foreign countries .....	P338
Off road .....	P340
Pets.....	P7
Snowy and icy roads .....	P343
Tips .....	P295, P336, P338
Tired or sleepy.....	P6
Winter.....	P342

**E**

EBD system	
Warning .....	P190
Electrical system .....	P444
Electronic Brake Force Distribution (EBD) system .....	P190, P301
Warning .....	P190
Electronic parking brake.....	P310
Automatic release function by accelerator pedal ....	P312
Hill Holder .....	P312
Indicator light.....	P190
Warning .....	P313
Emergency Locking Retractor (ELR).....	P81
Engine	
Compartment overview .....	P405
Coolant.....	P409, P444



Exhaust gas (carbon monoxide) .....	P5, P336
Hood .....	P403
Low oil level warning indicator .....	P187
Low oil level warning light .....	P187
Oil .....	P406, P441
Overheating .....	P378
Starting & stopping .....	P287
EV driving range .....	P36
Event data recorder .....	P8
Exterior care .....	P392

**F**

Flat tire repair kit .....	P369
Technical data .....	P374
Flat tires .....	P366
Floor mat .....	P273
Fluid level	
Brake .....	P414
Continuously variable transmission (CVT) .....	P413
Fog light .....	P238
Bulb .....	P432, P450
Indicator light .....	P200
Switch .....	P238
Front	
Differential gear oil .....	P414, P443
Fog light .....	P238, P432, P450
Fog light indicator light .....	P200
Seatbelt pretensioners .....	P87
Turn signal light .....	P432
Front fog light .....	P238, P432
Bulb .....	P432, P450

Indicator light .....	P200
Switch .....	P238
Fuel .....	P281, P441
Consumption indicator .....	P205, P217
Economy hints .....	P336
Filler door and cap .....	P282
Gauge .....	P179
Requirements .....	P281, P441
Fuses .....	P430
Fuses and circuits .....	P446

**G**

GAWR (Gross Axle Weight Rating) .....	P347
Glove box .....	P267
GVWR (Gross Vehicle Weight Rating) .....	P347

**H**

Hazard warning flasher .....	P177, P364
Headlight .....	P231, P432
Beam leveler .....	P238
Bulb replacement .....	P432
Bulb replacing .....	P432
Bulb wattage .....	P450
Control switch .....	P231
Flasher .....	P233
Indicator light .....	P200
OFF delay function .....	P232
OFF delay setting .....	P232
Welcome lighting function .....	P232
High Beam Assist .....	P233
High Beam Assist function .....	P233

Indicator light.....	P200
High beam assist warning indicator.....	P200
High beam indicator light.....	P200
High/low beam change (dimmer).....	P233
Hill descent control.....	P307
Indicator.....	P201
Indicator light.....	P201
Hill Holder.....	P312
Indicator light.....	P192
Switch.....	P313
Hook	
Cargo tie-down.....	P277
Coat.....	P274
Convenient tie-down.....	P277
Shopping bag.....	P275
Towing and tie-down.....	P380
Horn.....	P247
Hose and connections.....	P409
Hybrid Battery Charge Status.....	P179
Hybrid Mode switch.....	P29
Hybrid system	
Fail lamp.....	P185
Hybrid system features.....	P24
Hybrid system operation mode.....	P26
Hybrid system precautions.....	P31
Hybrid vehicle driving tips.....	P35
<b>I</b>	
Illumination brightness control.....	P180
Immobilizer.....	P155
Indicator light (security indicator light).....	P155, P199

Indicator light	
BSD/RCTA OFF.....	P201, P204, P320, P321
BSD/RCTA warning.....	P201, P204, P321
Charge cable connection indicator.....	P185
Coolant temperature low.....	P185
Electronic parking brake.....	P190
Engine hood open warning.....	P185
EV (Electric Vehicle) mode lamp.....	P185
Front fog light.....	P200
Headlight.....	P200
High beam.....	P200
High Beam Assist.....	P200
High beam assist warning.....	P200
Hill descent control.....	P201
Hill Holder.....	P192
Hybrid Battery Charge Mode.....	P185
Hybrid Battery Save Mode.....	P185
Hybrid Fail Lamp.....	P185
Hybrid READY.....	P185
Hybrid system overheat warning.....	P185
Immobilizer.....	P155, P199
LED headlight warning.....	P200
Security.....	P155, P199
Security (Immobilizer indicator light).....	P155
Select lever position.....	P200
SI-DRIVE.....	P199
Timer charging setting.....	P185
Traction control system OFF.....	P194
Turn signal.....	P200
Vehicle Dynamics Control OFF.....	P194
Vehicle Dynamics Control operation.....	P193, P194

X-MODE.....	P201
Inside mirror.....	P243
Interior lights.....	P264

**J**

Jack-up point.....	P366
Jump starting.....	P375

**K**

## Key

Number.....	P143
Number plate.....	P143
Replacement.....	P155
Keyless access with push-button start system.....	P142
Disabling keyless access functions.....	P152
Keyless access function and charge cable connector locking system.....	P43
Locking and unlocking doors.....	P147
Warning chimes and warning indicator.....	P194
When access key does not operate properly.....	P154, P176, P291, P384
When access key fob does not operate properly ...	P384
Keyless entry system.....	P156

**L**

Lap belt pretensioner.....	P89
LCA.....	P316
Leather seat materials.....	P395
LED headlights.....	P432
License plate light.....	P435

## Light

Backup.....	P434
Brake/Tail.....	P432, P450
Cargo area.....	P265, P435
Control switch.....	P231
Daytime running.....	P236, P432
Dome.....	P264, P435
Front fog.....	P238, P432
Front position.....	P231, P238, P432
Front side marker.....	P231, P450
Front turn.....	P432
License plate.....	P435
Map.....	P264, P435
Parking.....	P432
Rear combination.....	P432
Rear side marker light.....	P432
Rear turn signal.....	P432
Stop light.....	P432
Tail light.....	P432
Turn signal.....	P239, P432
Vanity mirror.....	P266, P435
Loading your vehicle.....	P346
Low fuel warning light.....	P191
Low tire pressure warning light.....	P187
Lower and tether anchorage.....	P101

**M**

## Maintenance

Precautions.....	P401
Schedule.....	P401

Seatbelt .....	P87
Tools .....	P364
Malfunction indicator light (check engine warning light).....	P184
Manual	
Climate control .....	P253
Map light .....	P264, P435
Maximum load limits.....	P353
Meters and gauges .....	P177
Mirror defogger.....	P244
Mirrors.....	P243
Moonroof .....	P170, P389
Multi-function display (color LCD) .....	P209

**N**

New vehicle break-in driving .....	P336
------------------------------------	------

**O**

Odometer .....	P178
Off road driving.....	P340
Oil filter.....	P407
Oil level	
Engine.....	P406
Front differential gear .....	P414
Rear differential gear.....	P414
Warning light .....	P187
Oil pressure warning light .....	P186
One-touch lane changer .....	P239
Outside	
Mirror defogger.....	P244

Mirrors .....	P243, P244
Temperature indicator .....	P211
Overheating engine .....	P378
Overheating hybrid system .....	P378

**P**

Parking .....	P310
Brake.....	P310
Light.....	P432
Tips .....	P314
Parking your vehicle .....	P310
Periodic inspections.....	P338
Petrol fuel.....	P281
PIN code Access.....	P149
Power	
Meter.....	P177
Outlets.....	P269
Outside mirrors .....	P243
Steering .....	P297
Steering warning light .....	P192
USB power supply .....	P271
Windows .....	P166
Precautions against vehicle modification .....	P91, P137
Preparing to drive.....	P287
Push-button	
Ignition switch.....	P175
Pedestrian alert system .....	P30
Power meter.....	P177
Starting and stopping the hybrid system .....	P287

- R**
- RAB (Reverse Automatic Braking)
    - OFF indicator ..... P201
    - ON/OFF setting ..... P330
    - Warning indicator ..... P201
  - RCTA ..... P316
  - Rear
    - Combination lights ..... P432
    - Differential gear oil ..... P414, P443
    - Gate ..... P169, P388
    - Turn signal light ..... P432
  - Rear turn signal ..... P432
  - Rear window
    - Defogger ..... P244
    - Wiper and washer switch ..... P242
    - Wiper blades ..... P427
  - Recommended
    - Brake fluid ..... P415, P443
    - Continuously variable transmission fluid ..... P443
    - Engine oil ..... P408, P441
    - Front differential gear oil ..... P443
    - Rear differential gear oil ..... P443
    - Spark plugs ..... P413, P444
  - Refueling ..... P283
  - Remote climate control system ..... P158
  - Remote keyless entry system ..... P156
  - Replacement
    - Access key fob battery ..... P437
    - Air cleaner element ..... P412
    - Brake pad ..... P415
    - Wiper blades ..... P424
  - Replacing
    - Access key fob battery ..... P437
    - Air cleaner element ..... P412
    - Battery (keyless access with push-button start system) ..... P154, P437
    - Battery (remote keyless entry system) ..... P159
    - Battery of access key fob ..... P437
  - Replacing bulbs ..... P432, P450
    - Backup light ..... P434
    - Brake/tail light ..... P432
    - Cargo area light ..... P435
    - Daytime running light ..... P432
    - Dome light ..... P435
    - Front fog light ..... P432
    - Front position light ..... P432
    - Front turn signal light ..... P432
    - Headlight ..... P432
    - LED headlight ..... P432
    - License plate light ..... P435
    - Map light ..... P435
    - Parking light ..... P432
    - Rear combination light ..... P432
    - Rear side marker light ..... P432
    - Rear turn signal light ..... P432
    - Stop light ..... P432
    - Tail light ..... P432
    - Vanity mirror light ..... P435
  - Reverse Automatic Braking System ..... P323
  - Rocking the vehicle ..... P345
  - Roof rails ..... P348
  - Roof tent ..... P348

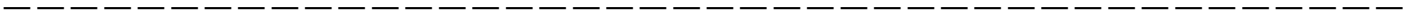
**S**

- Safety
  - Precautions when driving..... P4
  - Symbol..... P2
  - Warnings..... P2
- Sealing flat tire..... P366
  - Flat tire repair kit..... P369
  - How to seal..... P370
  - Safety precautions..... P367
- Seat
  - Fabric..... P395
  - Heater..... P78
- Seatbelt..... P4, P79
  - Fastening..... P81
  - Maintenance..... P87
  - Pretensioners..... P87
  - Safety tips..... P79
  - Warning light and chime..... P81, P182
- Seatbelts..... P79
- Security
  - Alarm system..... P163
  - Immobilizer..... P155
  - Indicator light..... P155, P199
- Security indicator light..... P199
- Select lever
  - Position indicator..... P200
  - Shift lock function..... P294
- Shopping bag hook..... P275
- Shoulder pretensioners..... P88
- SI-DRIVE..... P295
  - Indicator light..... P199
- Skid suppression function..... P302
- Snow tires..... P344, P416
- Snowy and icy roads..... P343
- Sounding a panic alarm..... P157
- Spark plugs..... P413, P444
- Specifications..... P440
- Speedometer..... P177
- SRS
  - Curtain airbag..... P127
  - Frontal airbag..... P115
  - Side airbag..... P127
- SRS airbag (Supplemental Restraint System airbag)..... P4, P106
- SRS airbag system
  - Monitors..... P135
  - Servicing..... P136
  - Warning light..... P183
- Starting & stopping the hybrid system..... P287
- State emission testing (U.S. only)..... P285
- Steering Responsive Headlight..... P237
- Steering wheel
  - Heater..... P246
  - Power..... P297
  - Tilt/telescopic..... P245
- Stop light..... P432, P451
- Storage compartment..... P267
- Sun shade..... P172
- Sun visors..... P265
- Sunshade..... P172
- Supplemental Restraint System airbag (SRS)..... P4, P106
- Synthetic leather upholstery..... P396

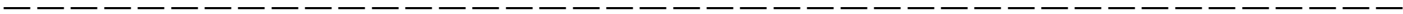
- T**
- Temperature warning light
    - Coolant..... P185
  - Tether (child restraint system) ..... P101, P104
  - Tie-down hooks ..... P380
  - Tie-down hooks/holes..... P380
  - Tire ..... P416, P444
    - Chains..... P345
    - Inspection ..... P418
    - Pressures and wear ..... P418
    - Replacement..... P421
    - Rotation..... P421
    - Size and pressure..... P444
    - Types ..... P416
  - Tire pressure monitoring system (TPMS)..... P187, P308, P374, P416
    - Warning light..... P187
  - Tires and wheels ..... P416
  - Tools ..... P364
  - Top tether anchorages..... P101, P104
  - Towing..... P380
    - Flat-bed truck ..... P383
    - Hooks..... P380
    - Tie-down hooks ..... P380
    - Weight..... P353
  - Traction control function ..... P302
  - Traction Control system
    - OFF indicator light ..... P194
  - Trailer
    - Connecting ..... P351
    - Hitch ..... P350, P356
  - Towing ..... P352
  - Towing tips ..... P358
  - Trailer towing ..... P352
  - Trip meter..... P178
  - Turn signal
    - Indicator lights ..... P200
    - Lever ..... P239
- U**
- USB power supply..... P271
- V**
- Valet mode ..... P165
  - Vanity mirror ..... P266, P435
    - Light..... P435
  - Vehicle
    - Capacity weight ..... P346
    - Identification ..... P453
    - Symbols..... P3
  - Vehicle Dynamics Control
    - OFF indicator light..... P194
    - OFF switch..... P304
    - Operation indicator light ..... P193, P194, P303
    - System ..... P302
    - Warning light ..... P193, P194
  - Ventilator ..... P250
- W**
- Warning and indicator lights..... P181
  - Warning chimes
    - Keyless access with push-button start system ..... P194

- |  |            |                                 |            |
|--|------------|---------------------------------|------------|
| Seatbelt .....                                     | P81, P182  | Washing .....                   | P392       |
| Warning light                                      |            | Waxing and polishing .....      | P393       |
| ABS .....  | P188, P300 | Wear indicators .....           | P420       |
| Access key fob .....                               | P195       | Welcome lighting function ..... | P232       |
| All-Wheel Drive .....                              | P192       | Wheel                           |            |
| Automatic headlight beam leveler .....             | P200       | Alloy .....                     | P423       |
| Brake system .....                                 | P189       | Balance .....                   | P420       |
| BSD/RCTA .....                                     | P201       | Nut tightening torque .....     | P366, P444 |
| Charge .....                                       | P186       | Replacement .....               | P422       |
| CHECK ENGINE .....                                 | P184       | Windows .....                   | P166       |
| Coolant temperature high .....                     | P185       | Windshield                      |            |
| Door open .....                                    | P192       | Washer fluid .....              | P423       |
| Engine hood open warning .....                     | P185       | Wiper and washer switches ..... | P241       |
| Engine low oil level .....                         | P187       | Wiper blades .....              | P425       |
| Hybrid fail lamp .....                             | P185       | Wiper deicer .....              | P244       |
| Hybrid system overheat warning .....               | P185       | Winter                          |            |
| Icy road surface .....                             | P201       | Driving .....                   | P342       |
| Keyless access with push-button start system ..... | P194       | Tires .....                     | P344, P416 |
| LED headlight .....                                | P200       | Wiper and washer .....          | P239       |
| Low fuel .....                                     | P191       | Wiper deicer .....              | P244       |
| Low tire pressure .....                            | P187       |                                 |            |
| Oil pressure .....                                 | P186       | <b>X</b>                        |            |
| Power steering .....                               | P192       | X-MODE .....                    | P305       |
| RAB .....  | P201       | Indicator .....                 | P201       |
| Seatbelt .....                                     | P81, P182  |                                 |            |
| SRS airbag system .....                            | P183       |                                 |            |
| Steering Responsive Headlight .....                | P200       |                                 |            |
| Vehicle Dynamics Control .....                     | P193, P194 |                                 |            |
| Windshield washer fluid .....                      | P187       |                                 |            |
| Warranties .....                                   | P1         |                                 |            |
| Warranties and maintenance .....                   | P353       |                                 |            |















---

Following numbered illustrations are protected by copyright of Toyota Motor Corporation.

All rights reserved.

Corresponding illustration numbers are as follows;

001617	001623	001626	001629	001631	001642
001643	001644	001658	001663	001664	001750

## GAS STATION REFERENCE

---

### ■ Fuel

Use only **unleaded gasoline** with an octane rating of **87 AKI (90 RON) or higher**.

### ■ Fuel octane rating

#### ▼ RON

This octane rating is the Research Octane Number.

#### ▼ AKI

This octane rating is the average of the Research Octane and Motor Octane numbers and is commonly referred to as the Anti Knock Index (AKI).

### ■ Fuel tank capacity

13.2 US gal (50 liters, 11 Imp gal)

### ■ Engine oil

Use only the following oils.

- API classification SN with the words “RESOURCE CONSERVING”
- or ILSAC GF-5, which can be identified with the ILSAC certification mark (Starburst mark)

For the complete viscosity requirements, refer to “Engine oil” [P441](#).

### ■ Engine oil capacity

4.4 US qt (4.2 liters, 3.7 Imp qt)

The indicated oil quantity is only a guideline and is estimated based on a case when the engine oil is changed with an oil filter. After refilling the engine with oil, the oil level should be checked using the oil level gauge. For more details about maintenance and service, refer to “Engine oil” [P406](#).

### ■ Cold tire pressure

Refer to “Tires” [P444](#).