

## SLIDE-OUTS

**Purpose**

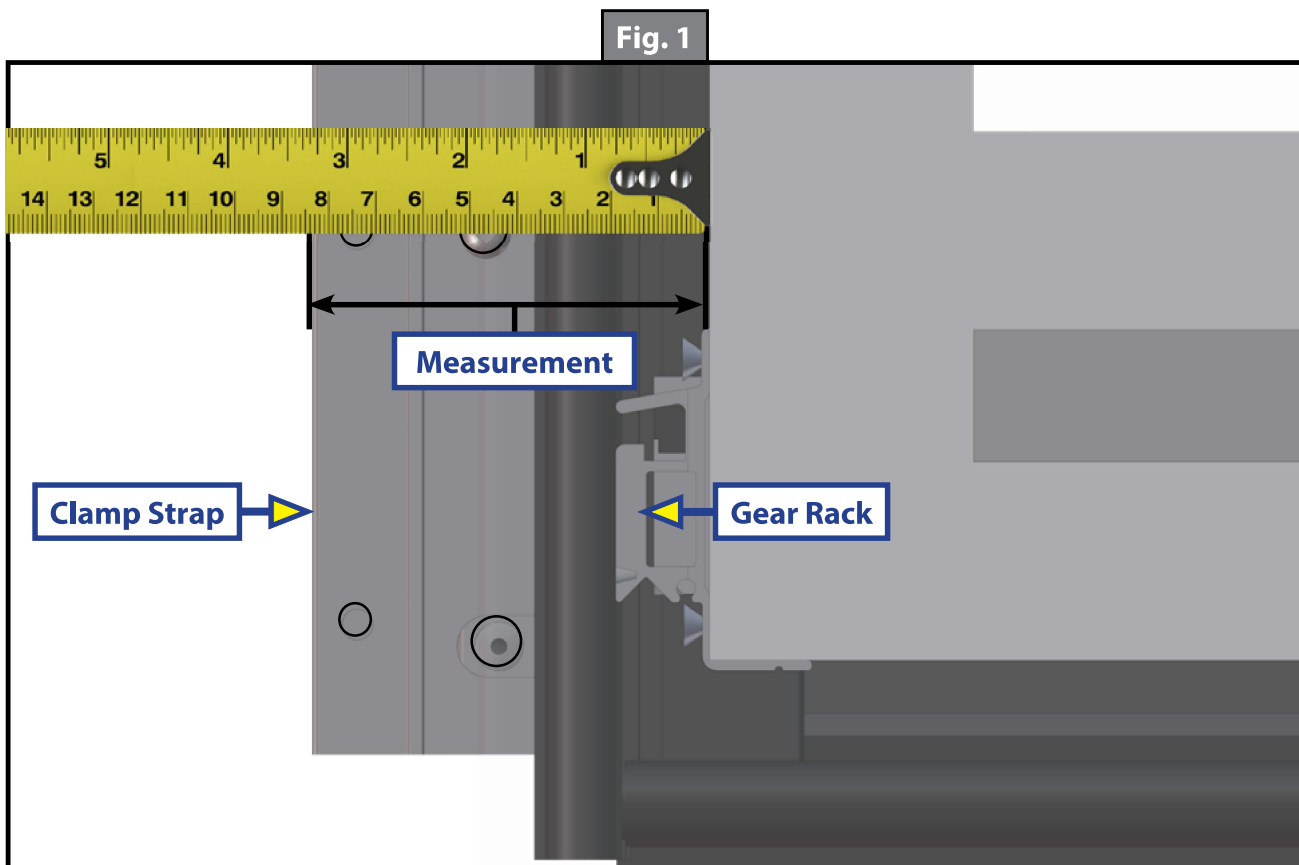
This document is intended to outline the tolerance measurement procedure for the In-Wall® slide-out. This interactive form may be filled out and retained for records or for customer service purposes. Once complete, press the "Submit" button on the last page. If an error occurred, press "Clear Form" to start over.

**Visual Inspections**Measurements - Winnebago

1. Measure from the outside edge of the clamp strap to the face of the slide room wall at all four gear racks. The standard measurement should be 84 mm (+3 mm / -1.5 mm). Take this measurement when the room is fully extended and again when the room is 76 mm from fully retracted.

**NOTE:** For units with non-standard installations, contact the OEM for their specific measurements.

2. Measure the gear racks for parallel. There should be less than 3 mm difference between the parallel measurements.
3. Check for proper seal engagement (no binding).
4. Check for damage to gear rack.

**Allowable Tolerances**

The measurement tolerance is 84 mm (+3 mm / -1.5 mm) for motorized Winnebago units.

SLIDE-OUTS

## Procedure

Take the measurements as previously outlined and as shown in figure 1 (Winnebago). For Winnebago systems, make sure the measuring device is slightly above or slightly below — but not directly on — the gear rack (Fig. 1).

**NOTE:** Measurements should be taken from the exterior of the unit.

1. Extend the slide-out 76 mm from its closed position.
2. Take a measurement at each corner, record each measurement in the appropriate location of the chart (Fig. 2A).
3. Fully extend the slide-out.
4. Take a measurement at each corner, record each measurement in the appropriate location of the chart (Fig. 2B).

Fig. 2

	A. 76 mm Extended	B. Full Extension		A. 76 mm Extended	B. Full Extension
Top Left			Top Right		
Bottom Left			Bottom Right		

**NOTE:** Include units of measure when recording.

**Upon submission of this form, I affirm that the details provided are accurate and precise. I also accept responsibility for ensuring that the replacement system installation aligns with the specified tolerances.**

Submit form to Customer Service



## Notes / Comments