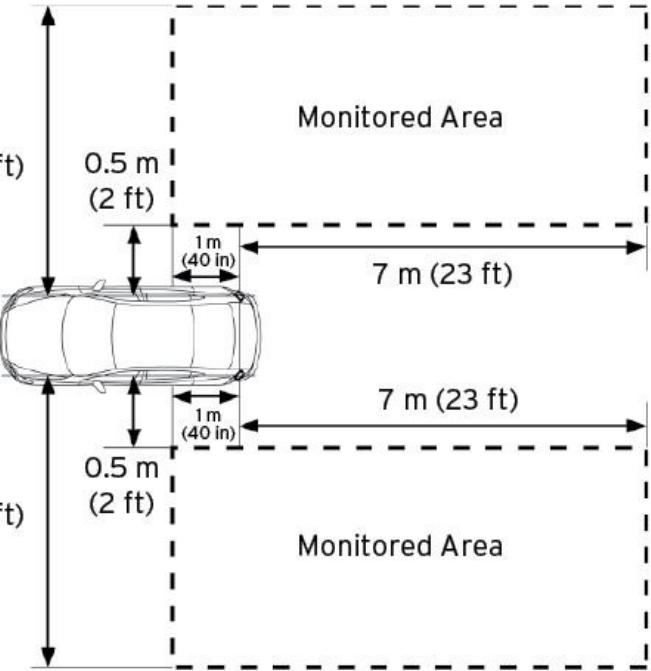
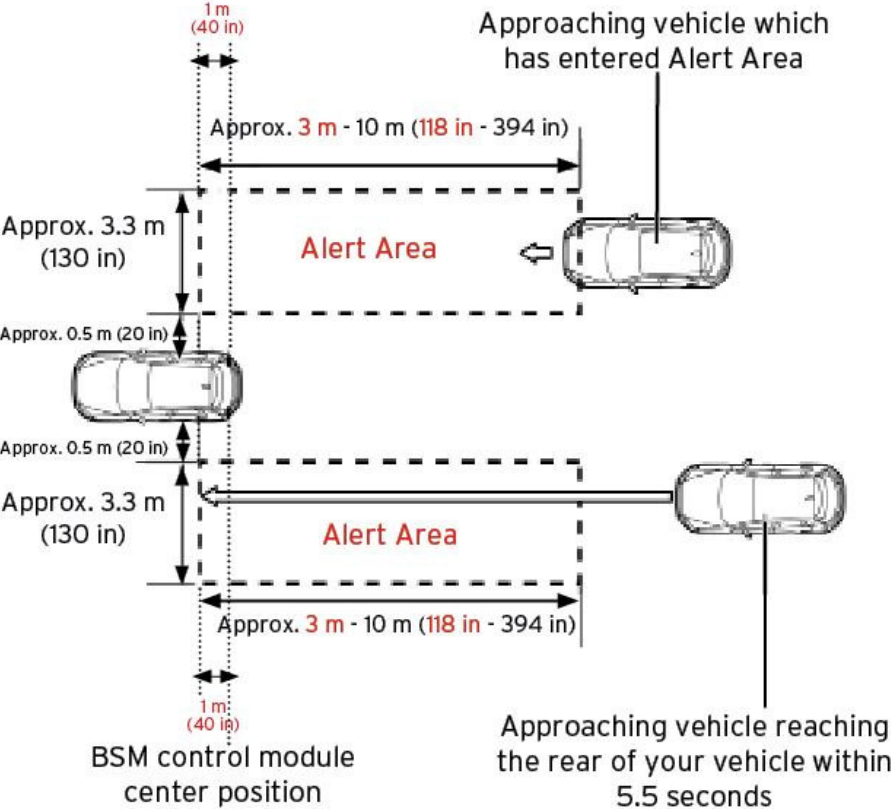
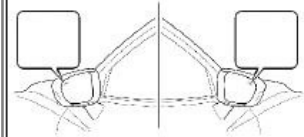


## 2016-2017 MX-5, 2016-2017 CX-3, and 2016-2017 CX-9 - Blind Spot Monitoring (BSM) System Change (Update)

The 2016-2017 MX-5, 2016-2017 CX-3 and 2016-2017 CX-9 BSM system vehicle detection has changed. Although the overall function is the same as previous vehicles, vehicle detection is different. Below is brief BSM comparison between the 2016-2017 MX-5/CX-3/CX-9 and other Mazda vehicles. For detailed BSM system information, refer to Service Highlights.

**Note:** Do not perform repairs related to system changes.

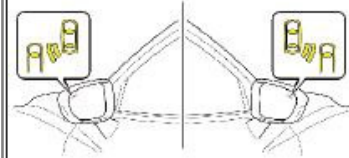
	Other Mazda Vehicles Equipped With BSM	2016-2017 CX-3, 2016 MX-5 and 2016-2017 CX-9*
Detection area behind vehicle	7 m (23 ft)	<ul style="list-style-type: none"> <li>• 50 m (164 ft)</li> <li>• Within 5.5 seconds of vehicle approaching from rear</li> </ul>
Vehicle Detection		
BSM Indicator OFF		



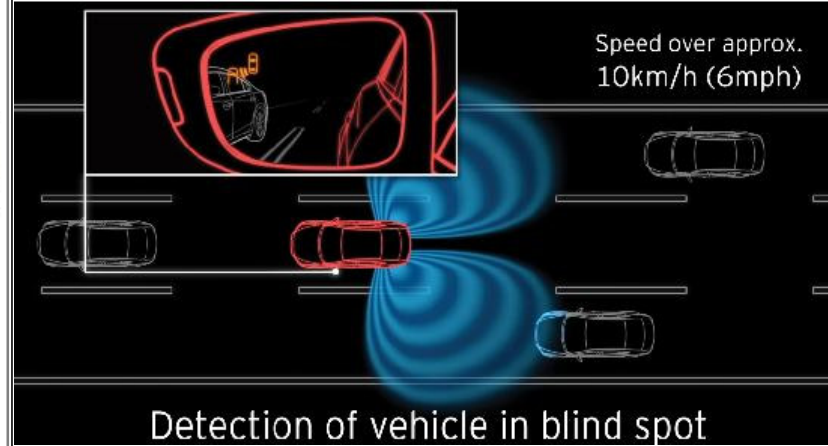
- No vehicle detected in the MONITORED AREA
- High speed difference with vehicle in the MONITORED AREA.

- No approaching vehicle in the ALERT AREA
- Vehicle in the ALERT AREA is cruising at a lower speed

BSM Indicator ON



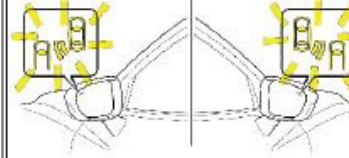
- Vehicle detected in the MONITORED AREA
- Low or similar speed difference with vehicle in the MONITORED AREA.



- Detected approaching vehicle in the ALERT AREA
- Approaching vehicle reaching the rear of your vehicle within 5.5 seconds
- Vehicle in the ALERT AREA is cruising at same speed or higher



BSM Indicator Flashing



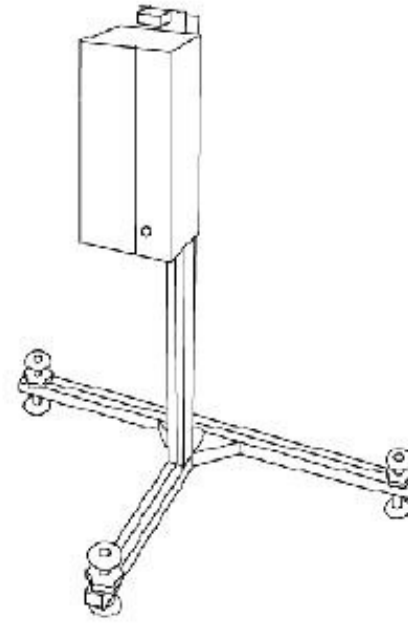
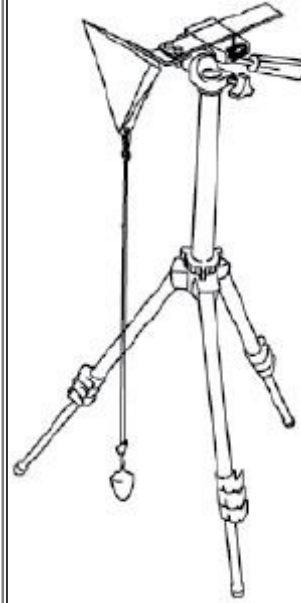
- Turn Signal Switch ON and vehicle detected in the MONITORED AREA
- Turn Signal Switch ON and low or similar speed difference with vehicle in the MONITORED AREA.

- Turn Signal Switch ON and detected approaching vehicle in the ALERT AREA
- Turn Signal Switch ON and approaching vehicle reaching the rear of your vehicle within 5.5 seconds
- Turn Signal Switch ON and vehicle in the ALERT AREA is cruising at same speed or higher

Reflector (\*Including 2016-2017 CX-9)

Doppler Simulator (2016-2017 MX-5 and 2016-2017 CX-3 only)

Special Service Tool  
(SST)



An editorial board comprised of MNAO service staff members generates, collects, and verifies information for this publication. © 2016 Mazda Motor of America, Inc.

To contribute repair tip ideas, send an e-mail to [mtips@mazdausa.com](mailto:mtips@mazdausa.com) or fax to (949) 442-6599. If we select your repair tip, you will receive 10,000 Reward Performance by Mazda (RPM) points for your efforts. All contributions become property of MNAO, which assumes permission to publish them without further consideration.