

USER

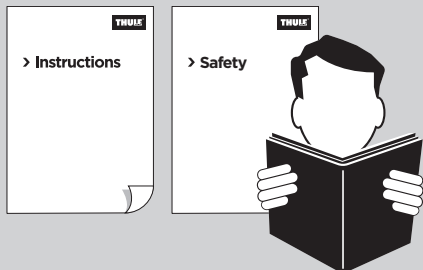
# ➤ Instructions

## Thule Outland

320010 | 320011 | 320012







<b>DE</b>	Markise - Bedienungsanleitung
<b>NL</b>	Luifel - Gebruikershandleiding
<b>FR</b>	Store - Instructions d'utilisation
<b>IT</b>	Tenda - Istruzioni per l'uso
<b>ES</b>	Toldo - Instrucciones de uso
<b>SV</b>	Markis - Användarinstruktioner
<b>FI</b>	Markiisi - käyttöohjeet
<b>DA</b>	Markise - Brugervejledning
<b>NO</b>	Markise - Brukerinstruksjoner
<b>PL</b>	Markiza - instrukcje dla użytkownika

**1 WARNINGS & INFO**

Warnungen & Info / waarschuwingen & info / avertissements et informations / avvertimenti e informazioni / advertencias e información / varningar & info / varoitukset ja tiedot / advarsler og info / advarsler og info / ostrzeżenia i informacje

**4****2 CONTENT**

Inhalt / inhoud / contenu / contenuto / contenido / innehåll / sisältö / indhold / innhold / zawartość

**6****3 OPEN**

öffnen / openen / ouvrir / aprire / abrir / öppna / avata / åbner / åpner / otwierając

**7****4 CLOSE**

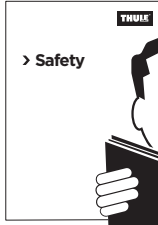
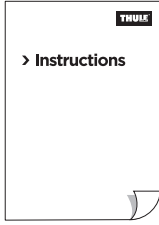
schließen / sluiten / fermer / chiudendo / cerrando / stänger / sulje / lukke / lukker / zamykanie

**16****5 ACCESSORIES**

Zubehör / accessoires / accessoires / accessori / accesorios / tillbehör / tarvikkeet / tilbehør / tilbehør / akcesoria

**22**

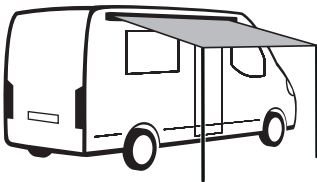
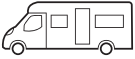
# 1 WARNINGS & INFO



OK



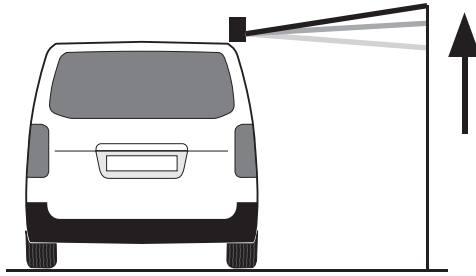
NOK



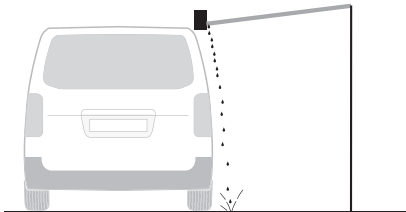
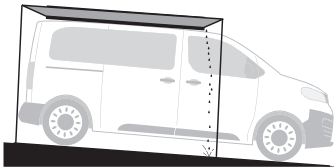
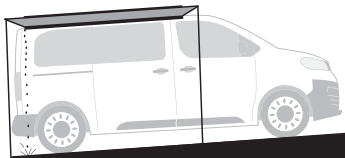
**CLOSE  
THE AWNING**



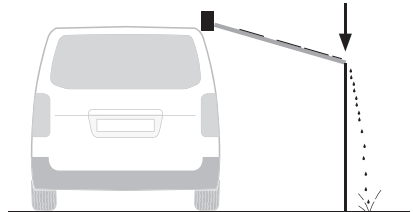
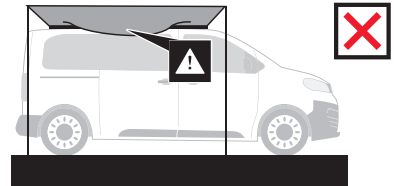
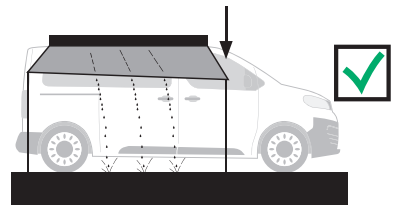




### Option 1

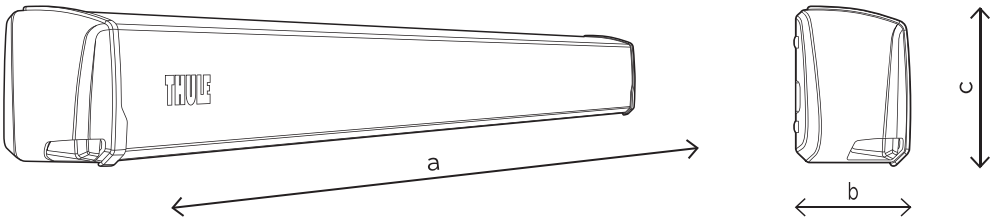
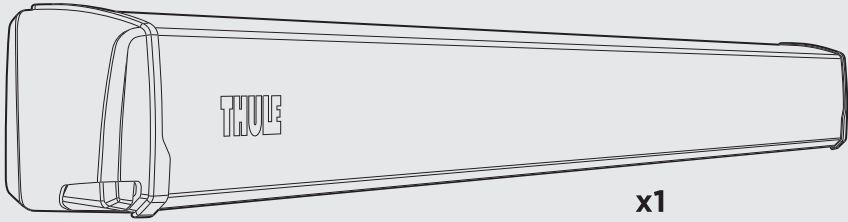


### Option 2



# 2 CONTENT

AWNING



LENGTH (a)	DEPTH (b)	HEIGHT (c)	PROJECTION	NET WEIGHT	CASSETTE	FABRIC	ARTICLE NUMBER
6.2'	0.3'	0.4'	8.2'	26 lbs	Anthracite	Mystic Grey	320010
7.5'				30 lbs	Anthracite		320011
8.2'				32 lbs	Anthracite		320012

# 3 OPEN

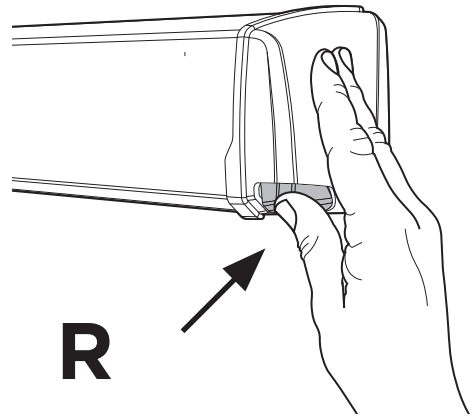
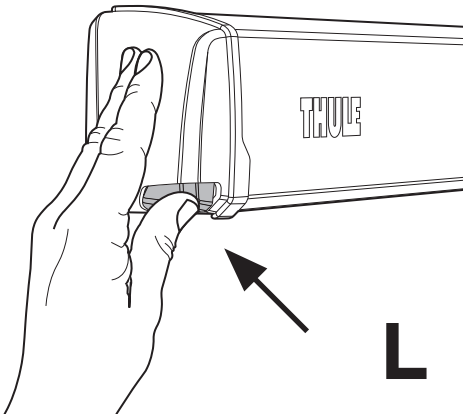
1

i

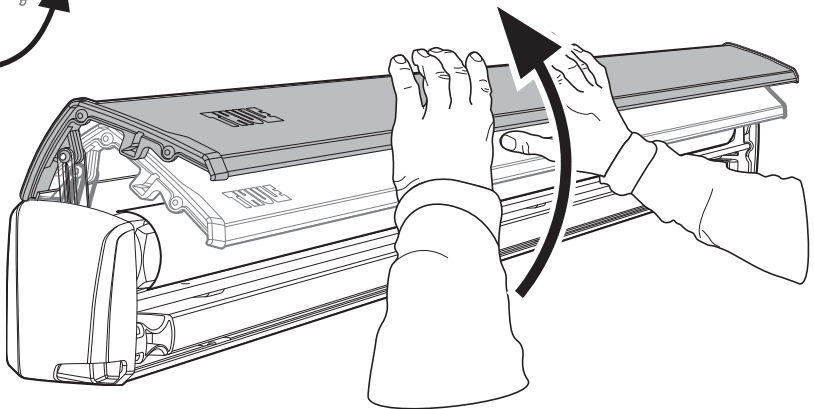
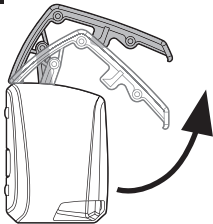
R > L



L > R



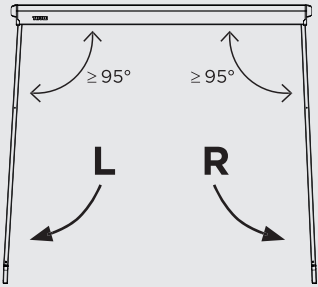
2



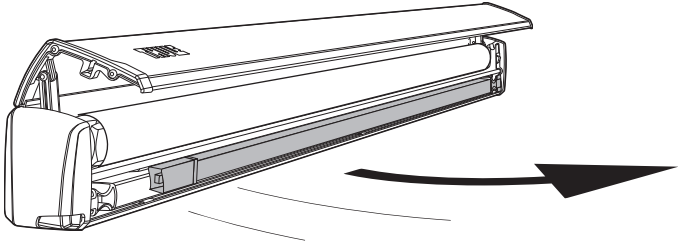
3

i

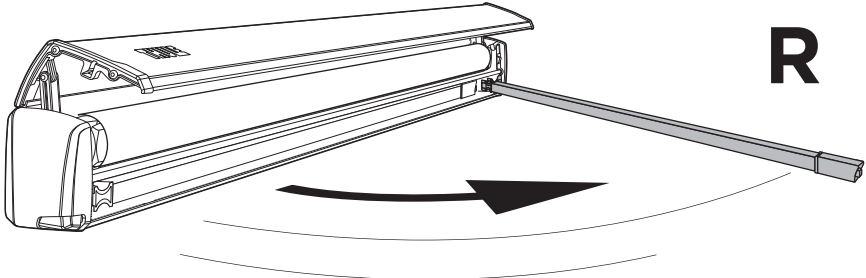
R > L  
L > R



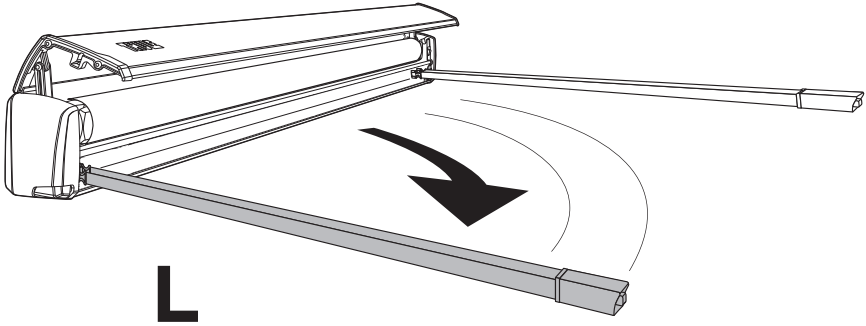
A



B

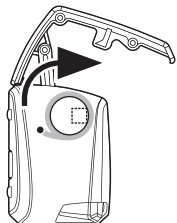
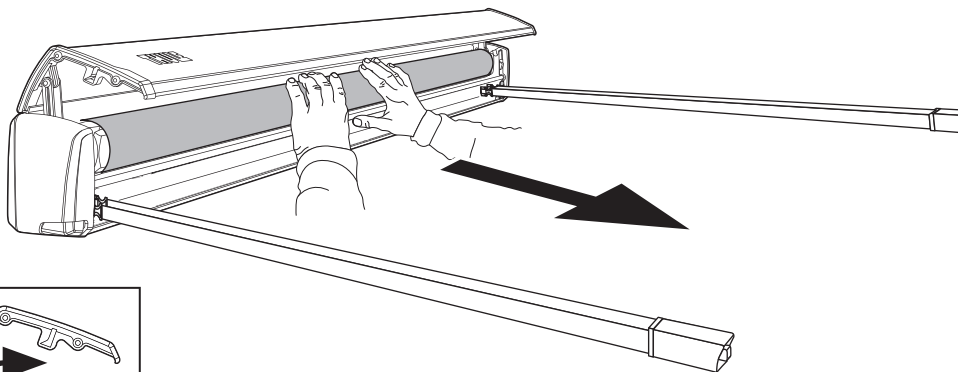


C

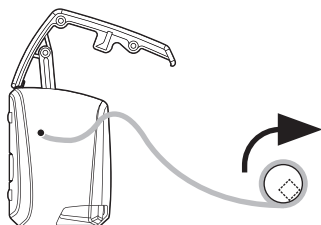
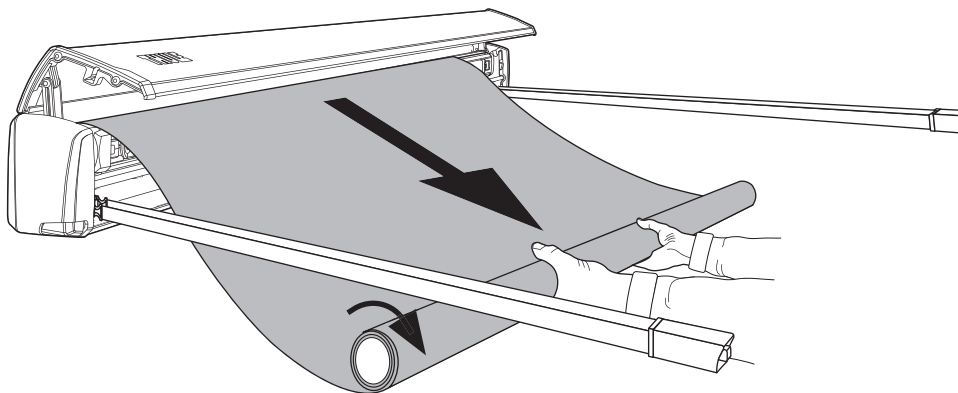


4

A



B

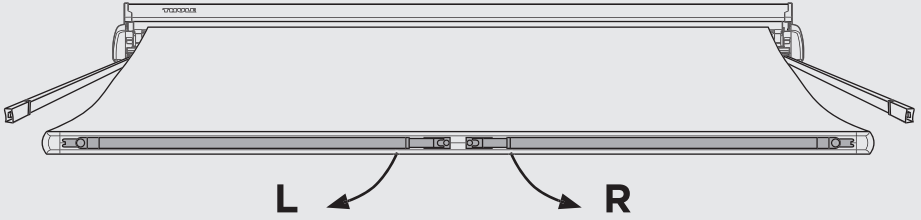


5

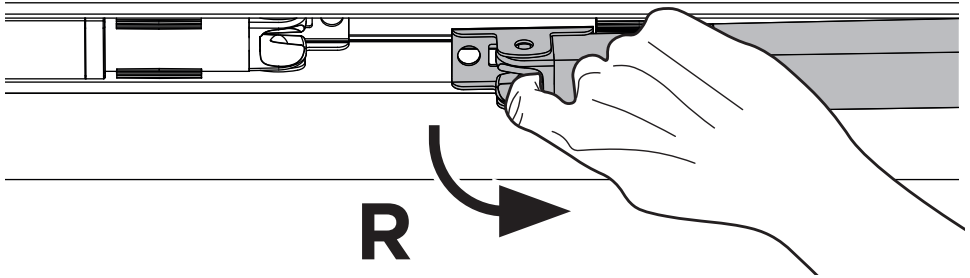
i

R > L

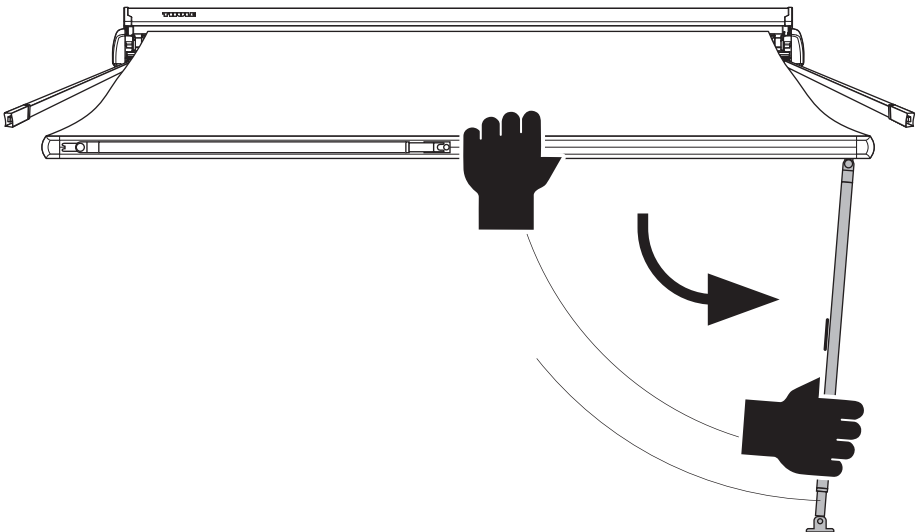
L > R

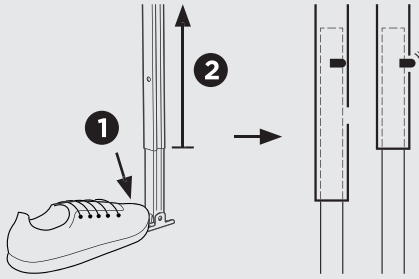
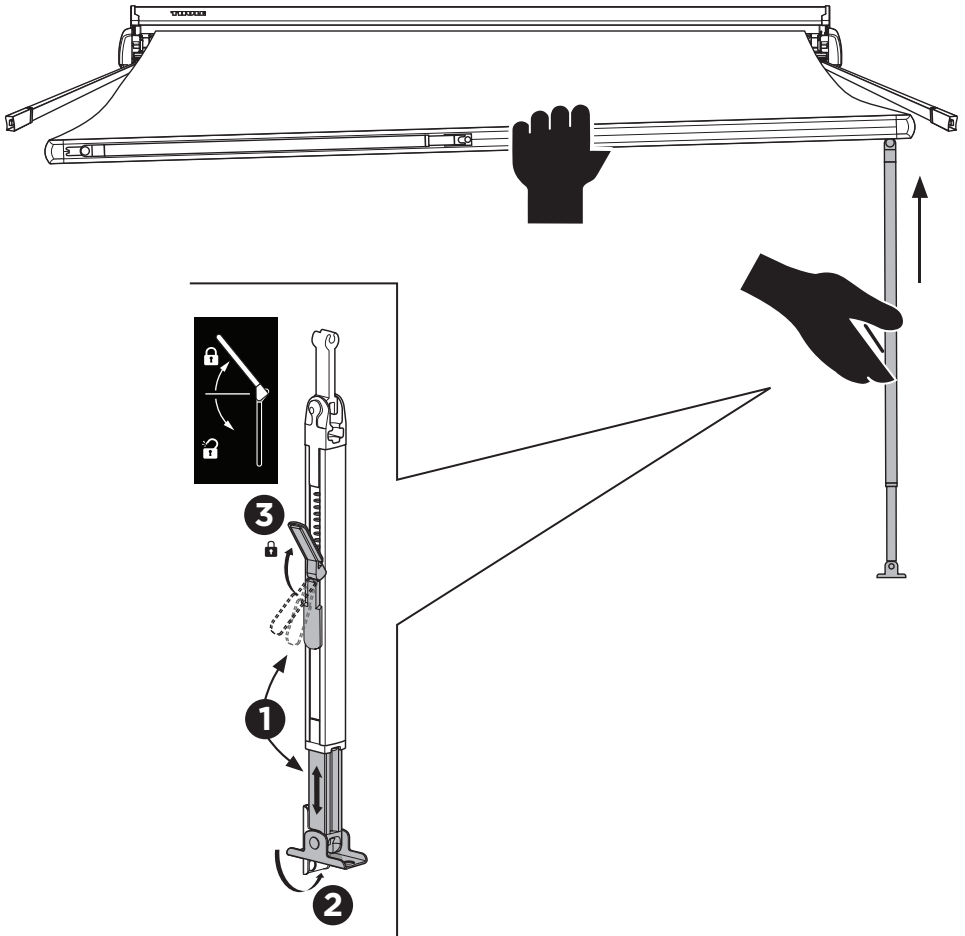


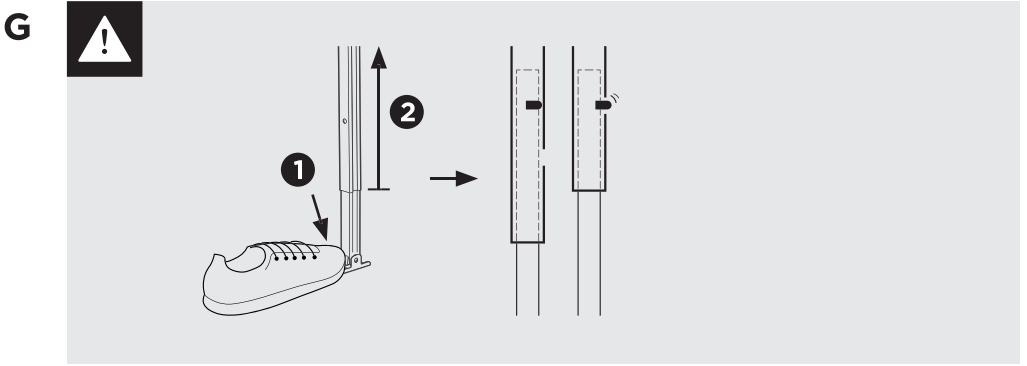
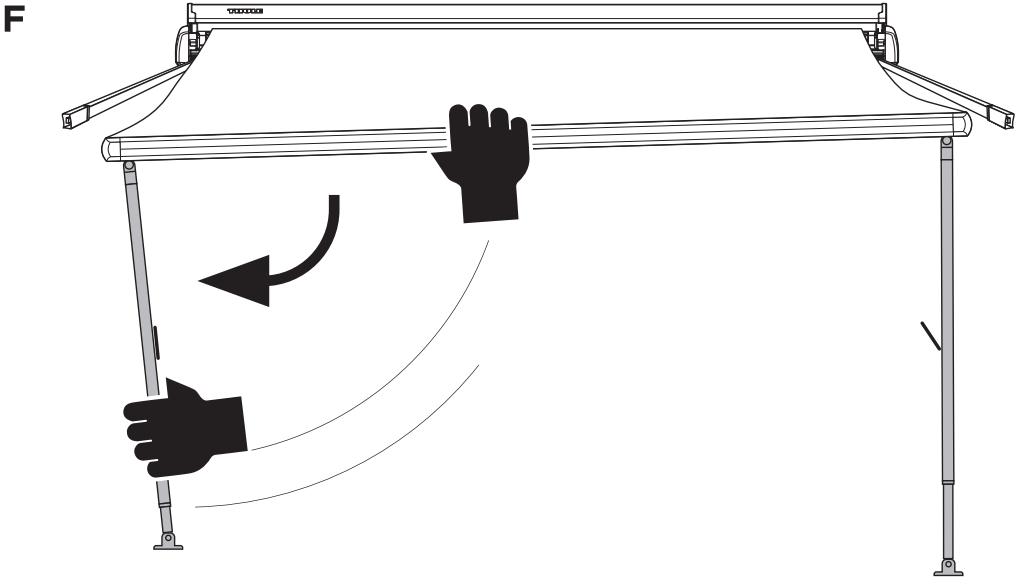
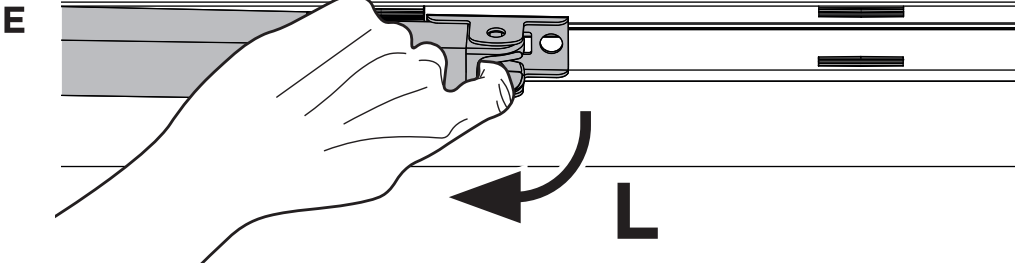
A



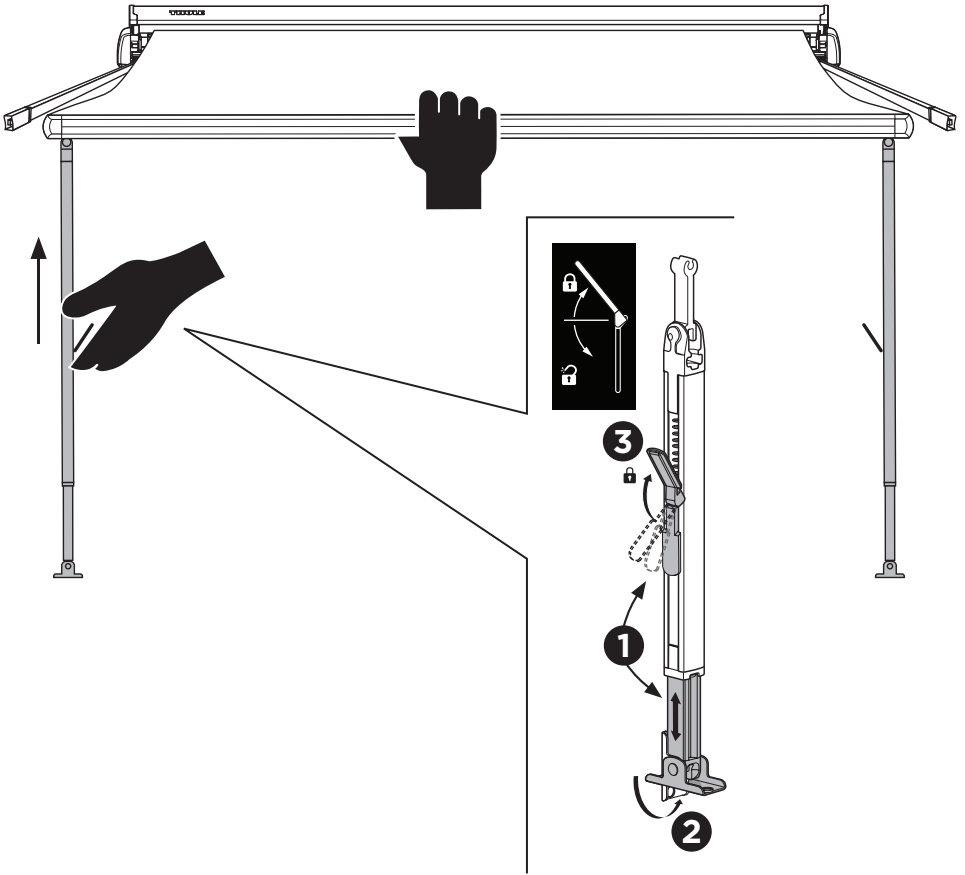
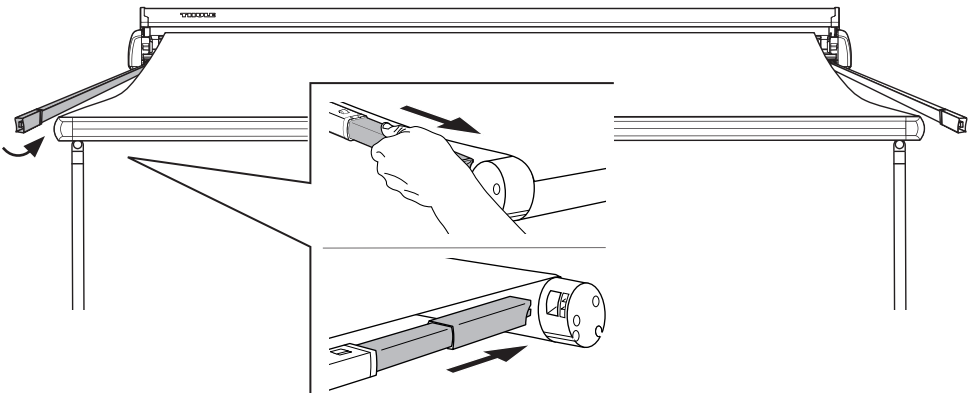
B

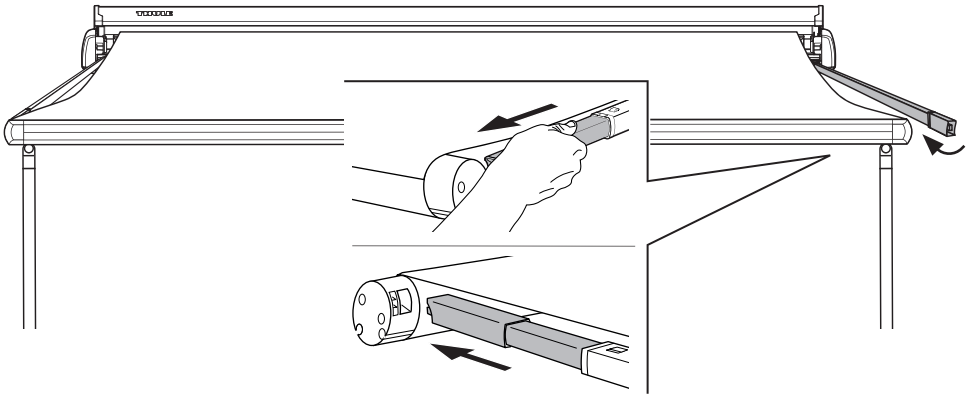
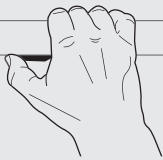
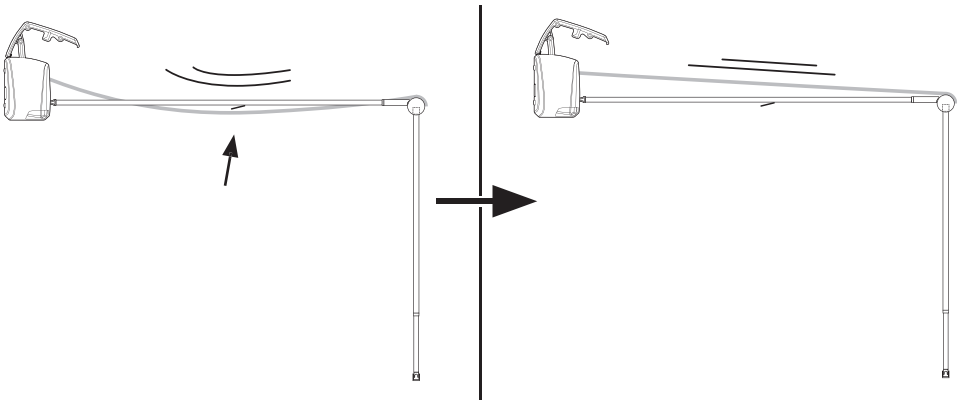
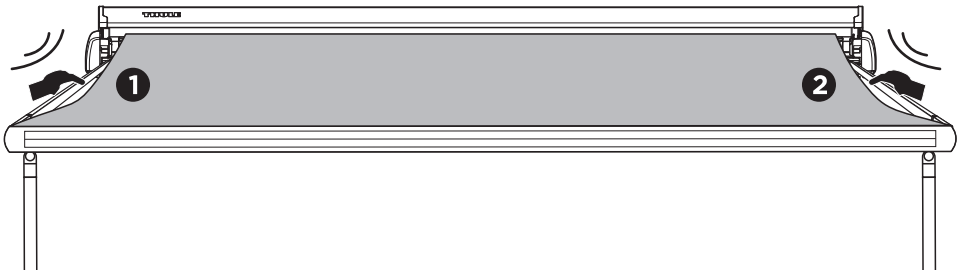


**C****D**



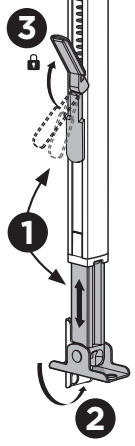
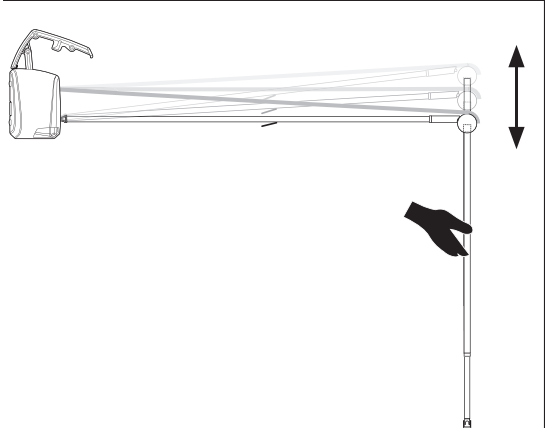


**H****6****A**

**B****7****i****1 x, 2 x, 3 x, ...****A**

8

A



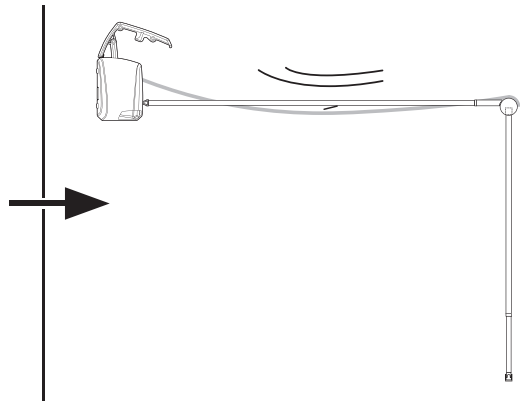
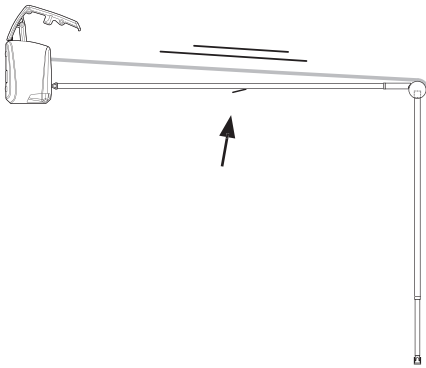
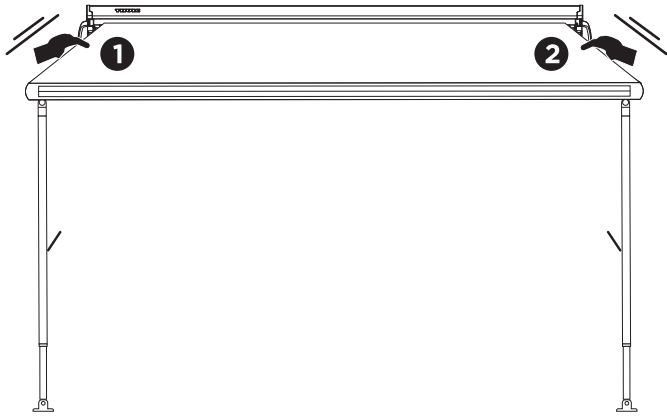
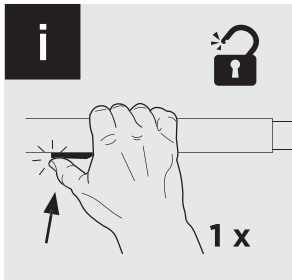
# 4 CLOSE

1

i



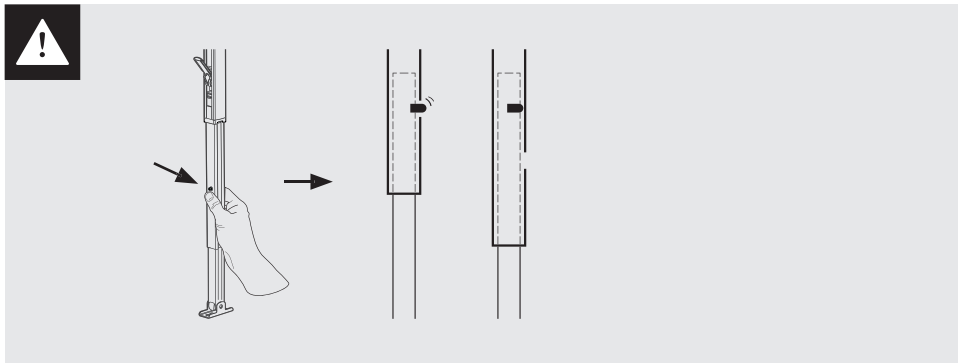
A

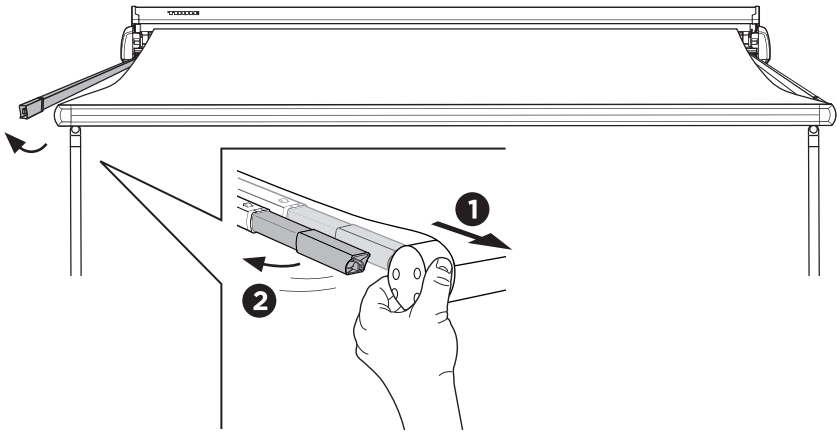
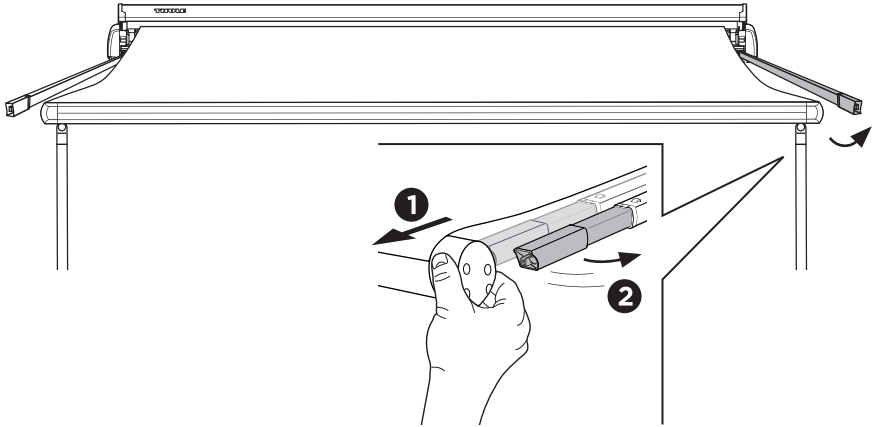
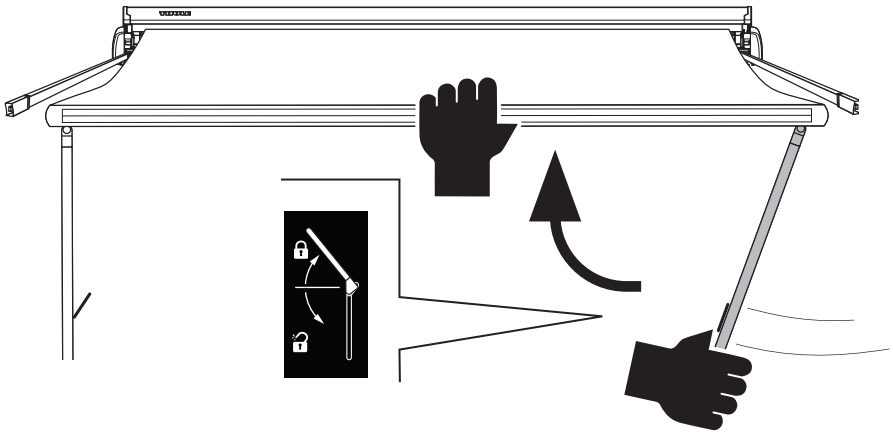


2

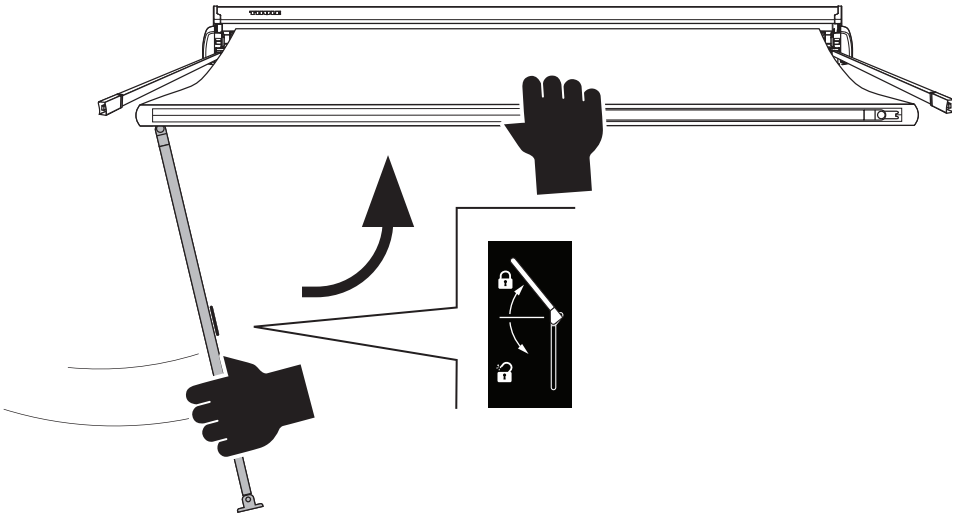


A



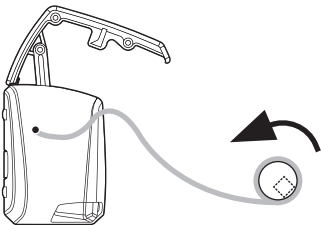
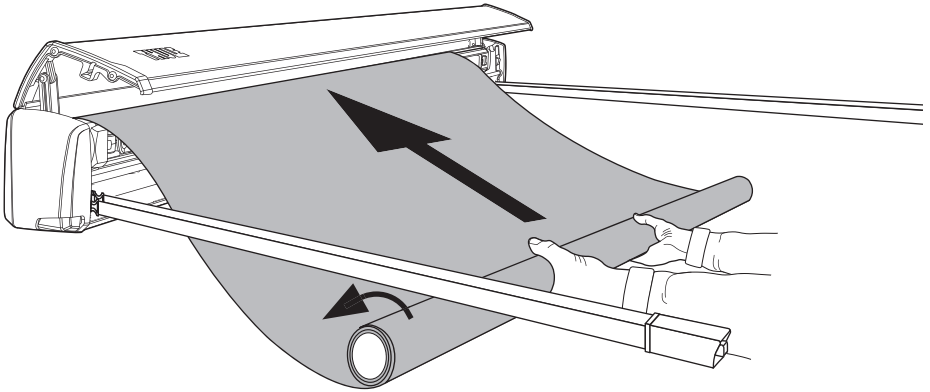
**B****C****D**

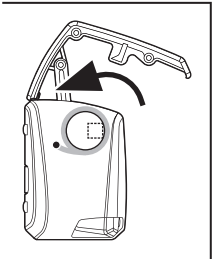
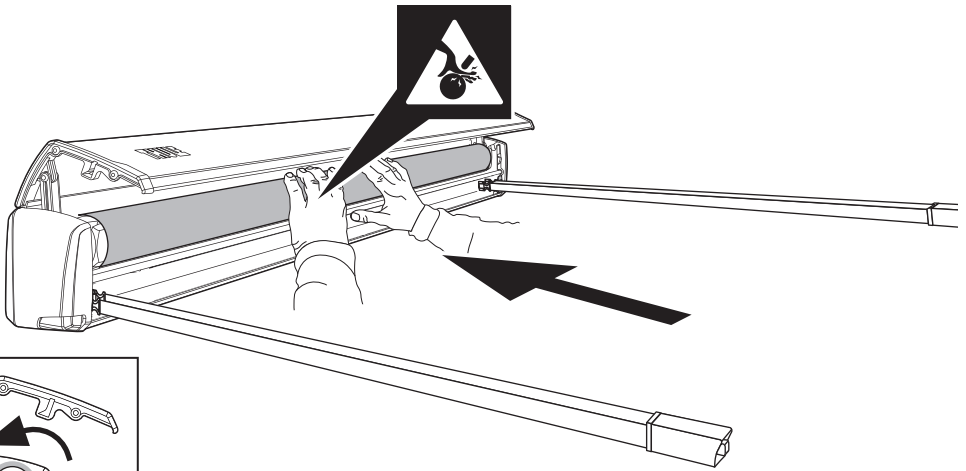
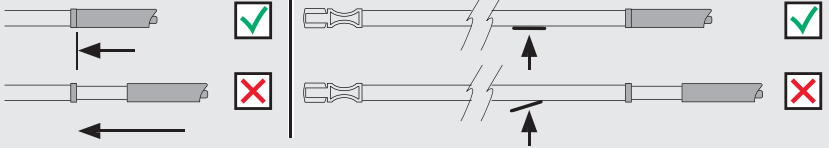
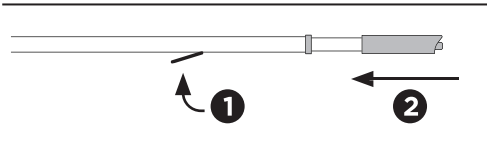
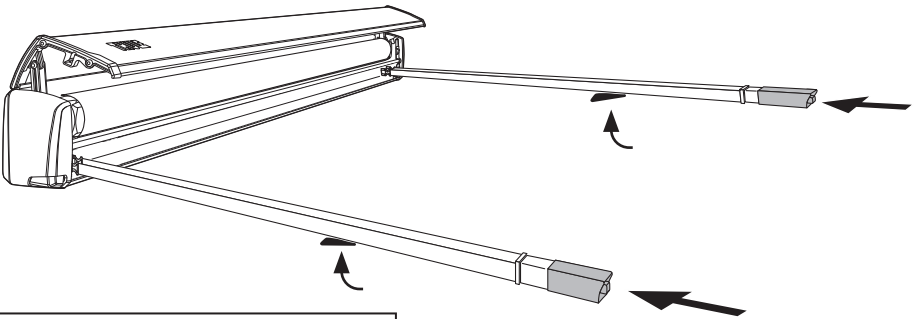
**E**



**3**

**A**

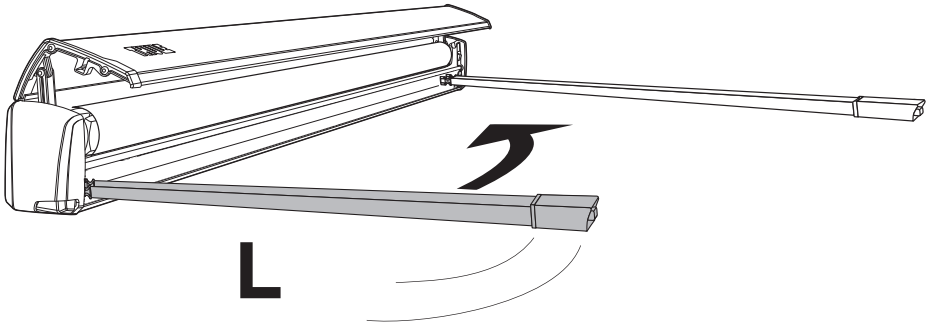


**B****4****A**

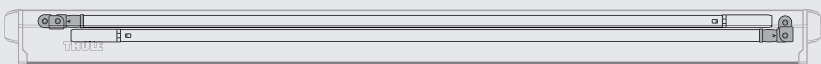
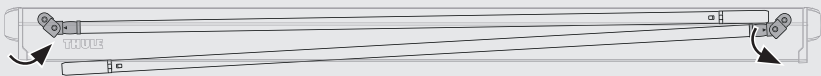
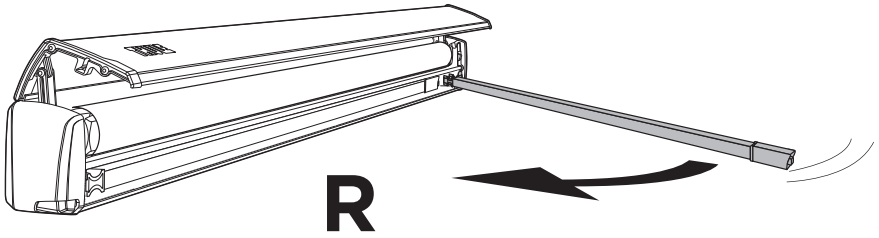
**B**



R > L   
L > R



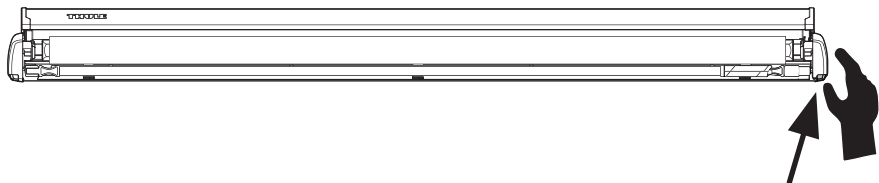
**C**



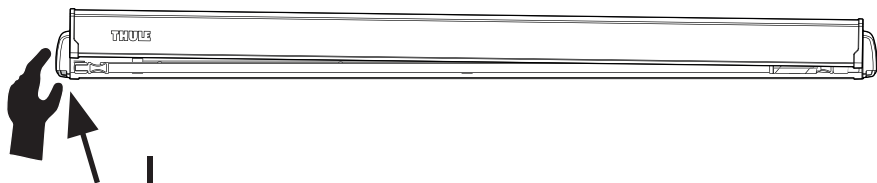


5

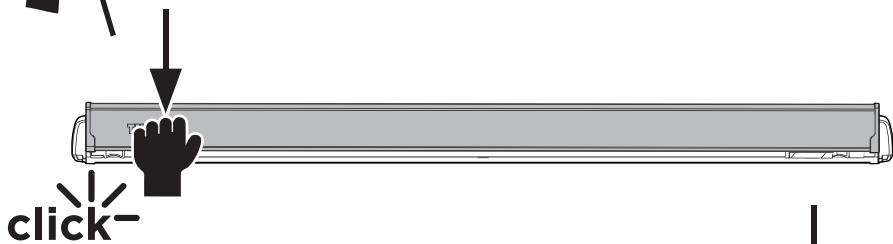
A



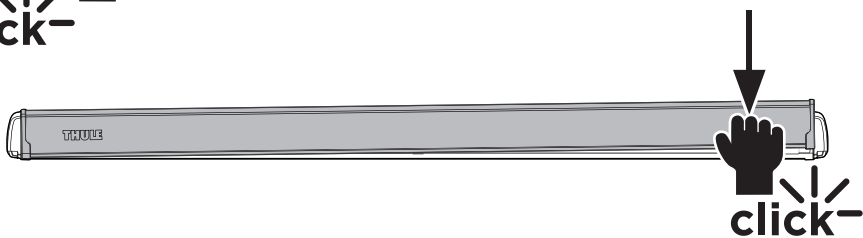
B



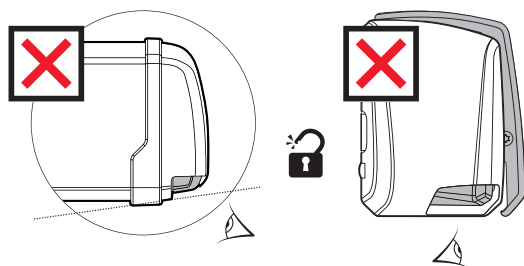
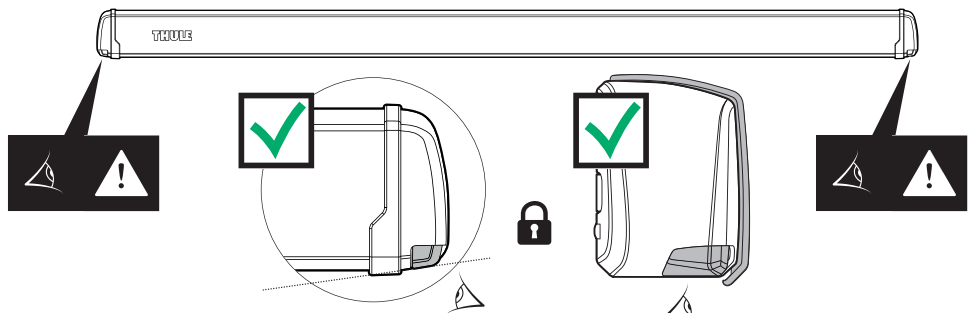
C



D



E

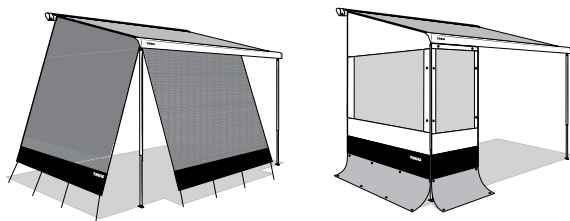


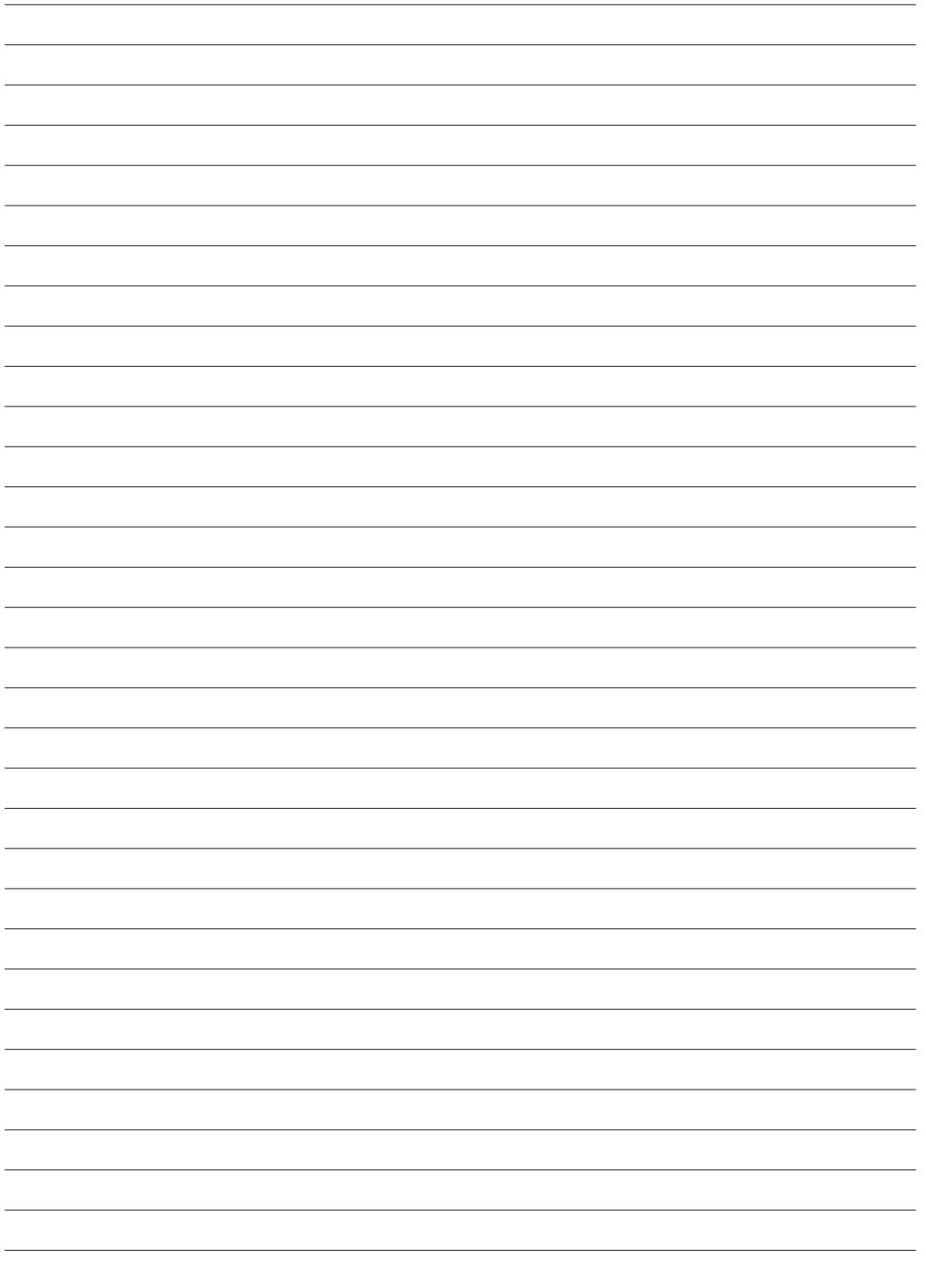
## 5 ACCESSORIES

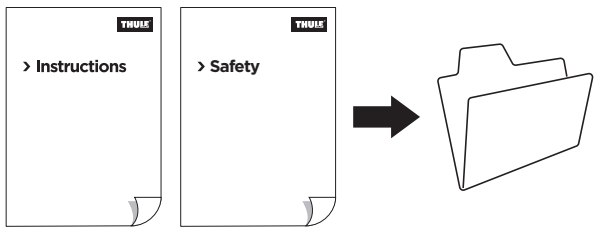
307916



307916



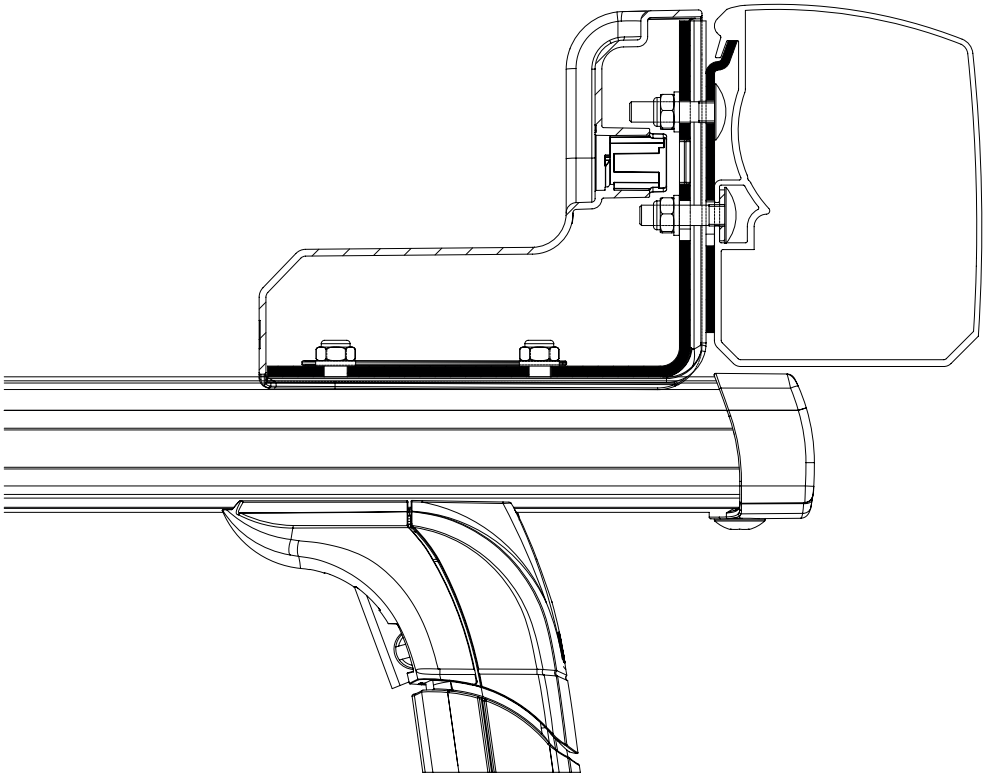




INSTALLATION

# > Instructions

## Thule Awning Adapter 301925





**DE** Adapter - Bedienungsanleitung

**NL** Adapter - Gebruikershandleiding

**FR** Adaptateur - Instructions d'utilisation

**IT** Adattatore - manuale utente

**ES** Adaptador - manual de usuario

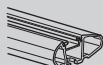
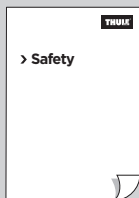
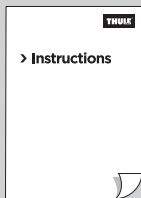
**SV** Adapter - användarmanual

**FI** Adapteri - käyttöohje

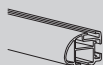
**DA** Adapter - brugermanual

**NO** Adapter - brukerhåndbok

**PL** Adapter - instrukcja obsługi



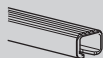
Thule WingBar Evo



Thule ProBar



Thule WingBar  
Thule Aeroblade



Thule SquareBar



Thule AeroBar



Thule Xsporter  
Thule TracRac

## 1. WARNINGS & INFO

**p 4**

Warnungen & Info / waarschuwingen & info / avertissements et informations / avvertimenti e informazioni / advertencias e información / varningar & info / varoitukset ja tiedot / advarsler og info / advarsler og info / ostrzeżenia i informacje

## 2. FIT GUIDE

**p 5**

Anwendungstabelle / fitting tabel / table d'application / guida di adattamento / guía de aplicación / applikationstabel / sovellus taulukko / applikationstabel / applikasjonstabel / tabela aplikacji

## 3. CONTENT

**P 6**

Inhalt / inhoud / contenu / contenuto / contenido / innehåll / sisältö / indhold / innhold / zawartość

## 4. TOOLS

**P 6**

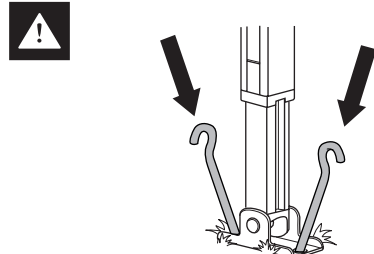
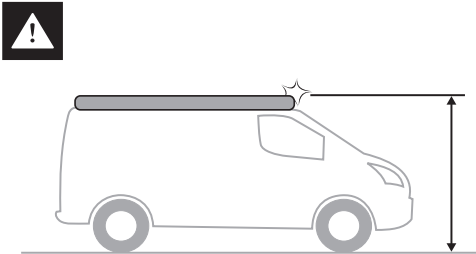
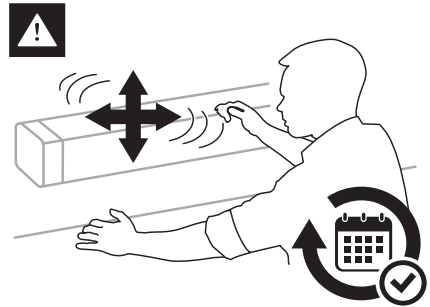
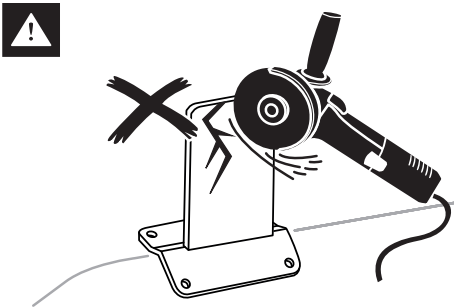
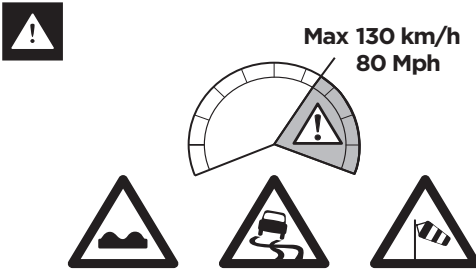
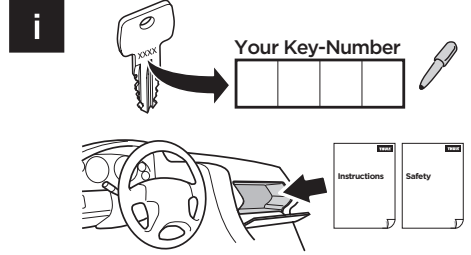
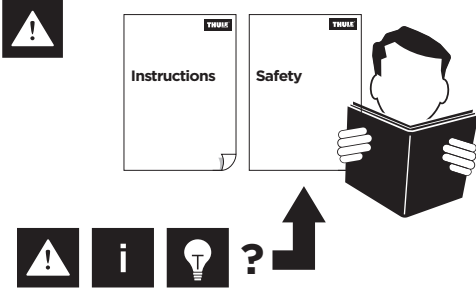
Werkzeuge / gereedschappen / outils / strumenti / herramientas / verktøy / työkalut / værktøjer / verktøy / narzędzia

## 5. INSTALLATION

**P 7**

Installation / installatie / installation / installazione / instalación / installation / asennus / installation / installasjon / instalacja

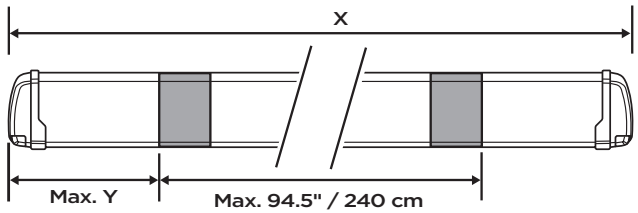
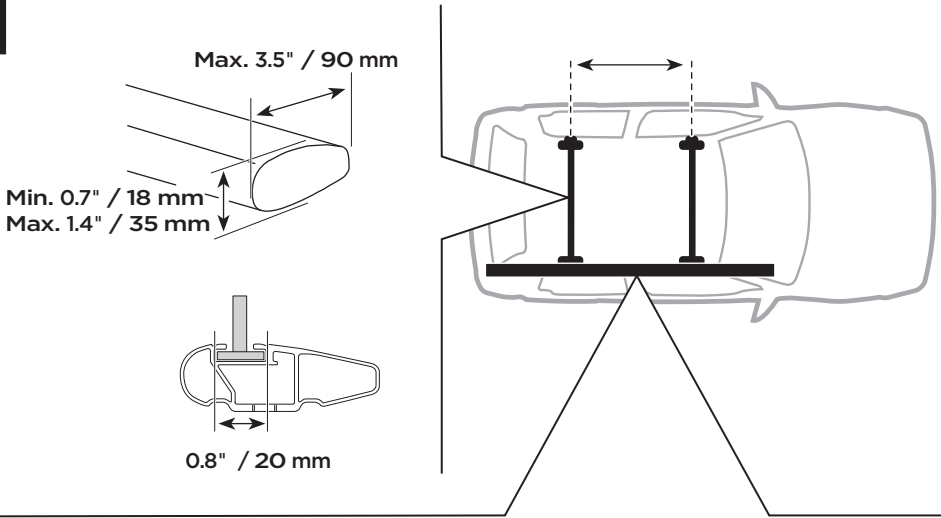
# 1. WARNINGS & INFO





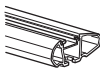
# 1. WARNINGS & INFO

i



X	Max. Y
74.8" / 1.90 m	17.7" / 45 cm
>74.8" / >1.90 m	13.75" / 35 cm

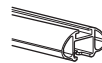
# 2. FITGUIDE



Thule WingBar Evo



Thule WingBar  
Thule Aeroblade



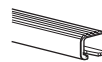
Thule AeroBar



Thule Xsporter  
Thule TracRac

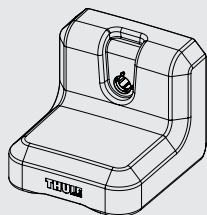


Thule ProBar



Thule SquareBar

### 3. CONTENT



x2



x4



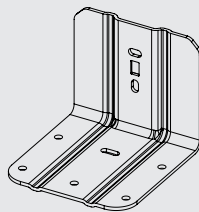
x8



x4



x2



x2



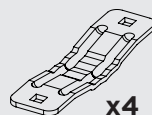
x12



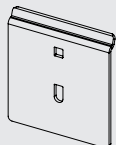
x12



x4



x4



x2



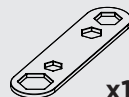
x2



x2

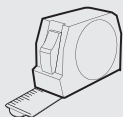


x1



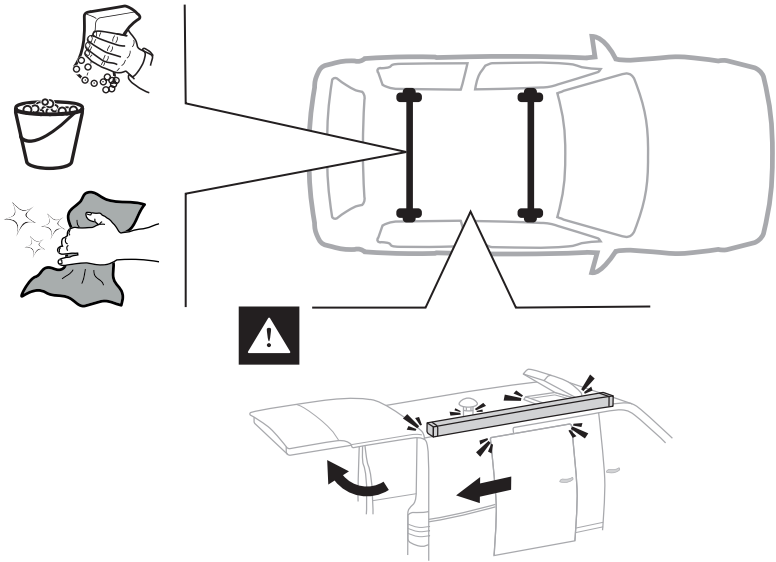
x1

### 4. TOOLS

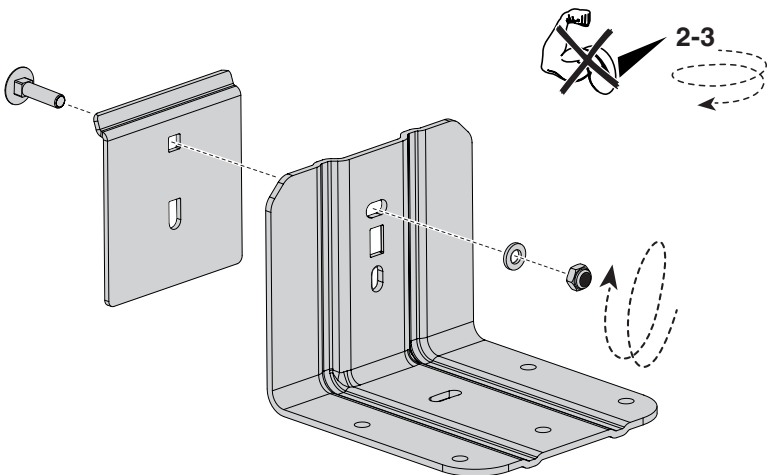
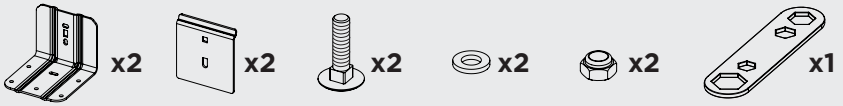


# 5. INSTALLATION

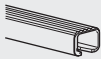
1



2



3



Thule SquareBar



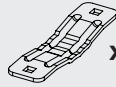
x8



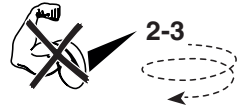
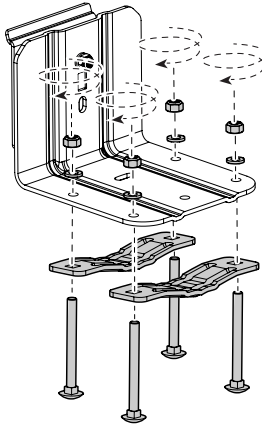
x8



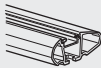
x8



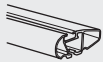
x4



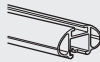
2-3



Thule WingBar Evo



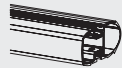
Thule WingBar  
Thule Aeroblade



Thule AeroBar



Thule ProBar



Thule Xsporter  
Thule TracRac



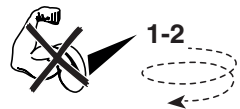
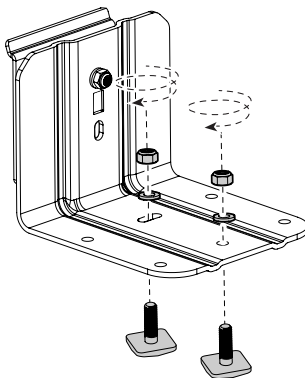
x4



x2

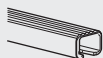


x2

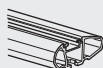
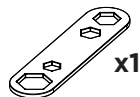
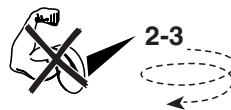
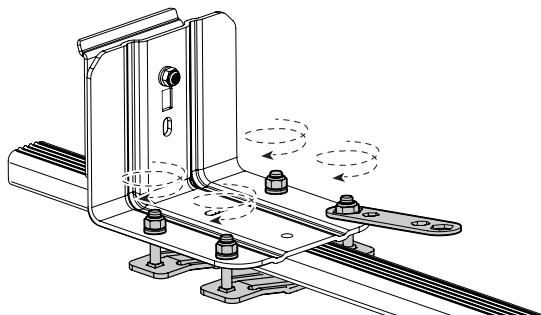


1-2

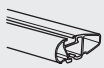
4



Thule SquareBar



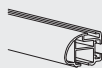
Thule WingBar Evo



Thule WingBar  
Thule Aeroblade



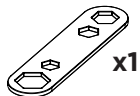
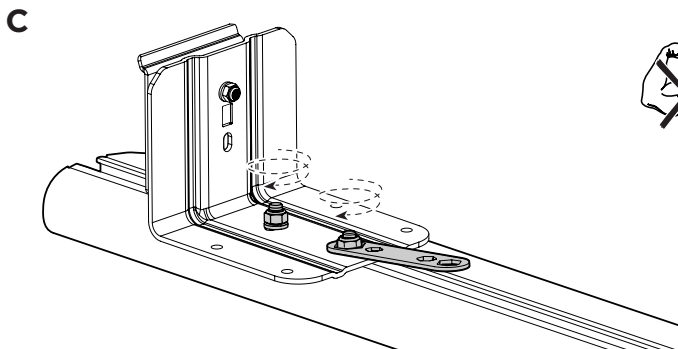
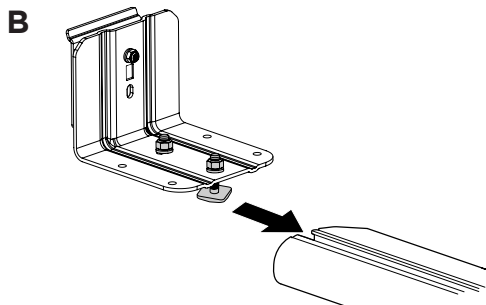
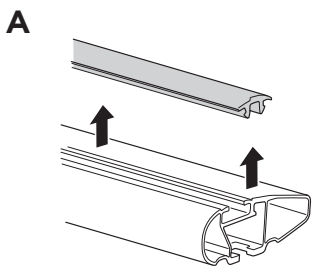
Thule AeroBar



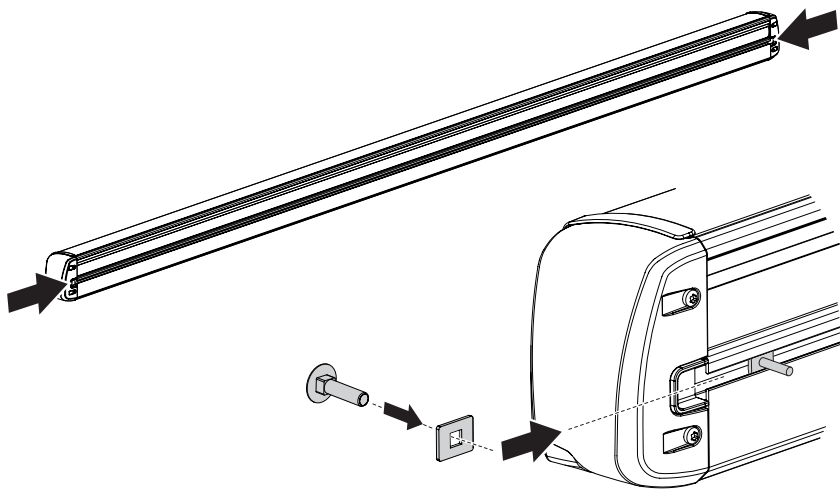
Thule ProBar



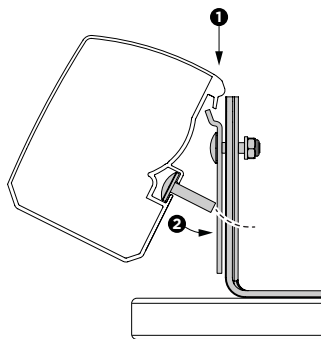
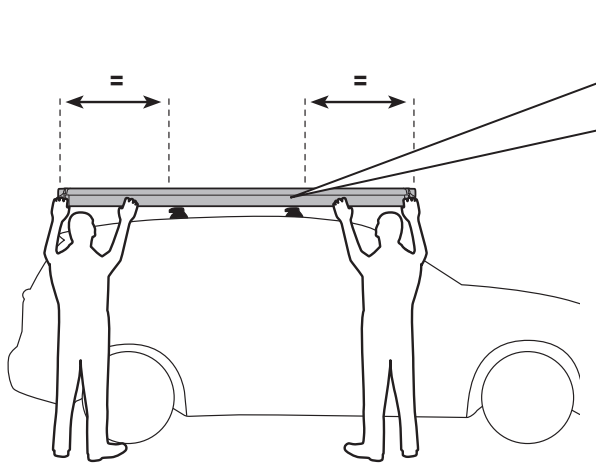
Thule Xsporter  
Thule TracRac



5



6

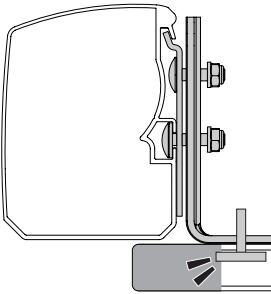
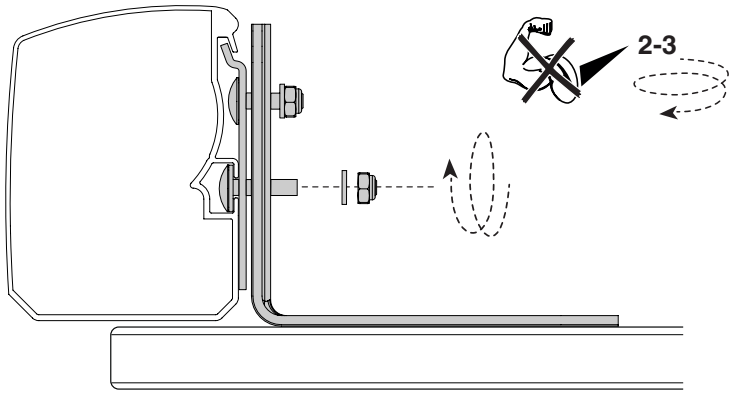


7

⊗ x2

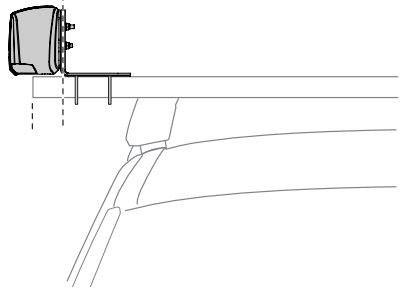
⊗ x2

⊗ x1

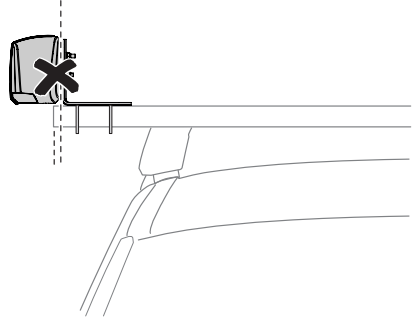


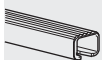
Not ok  
✗

ok  
✓

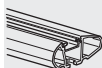
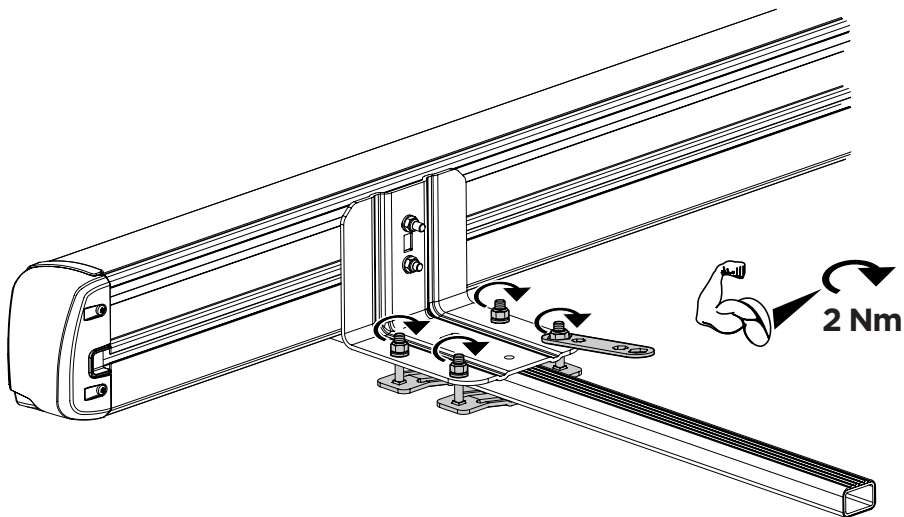
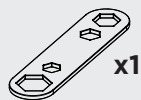


Not ok  
✗

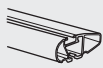




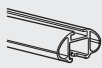
Thule SquareBar



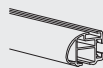
Thule WingBar Evo



Thule WingBar  
Thule Aeroblade



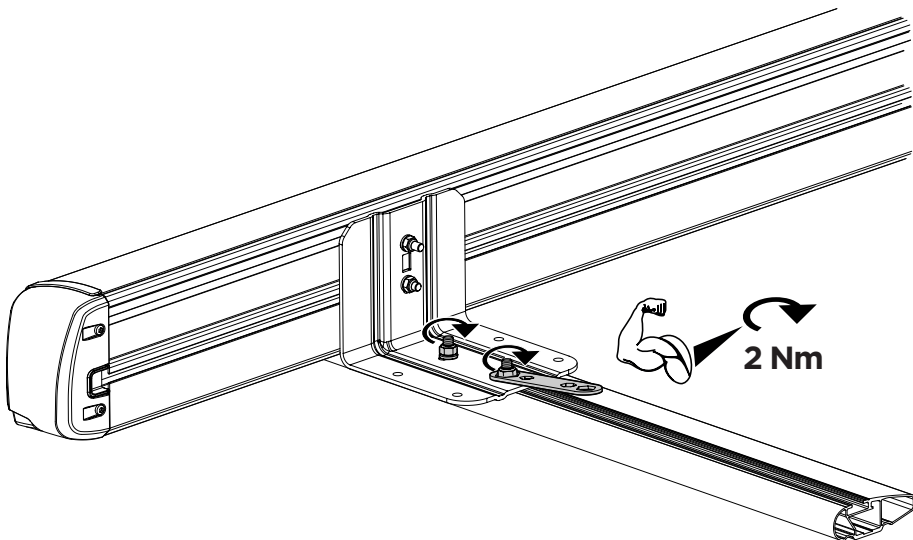
Thule AeroBar



Thule ProBar

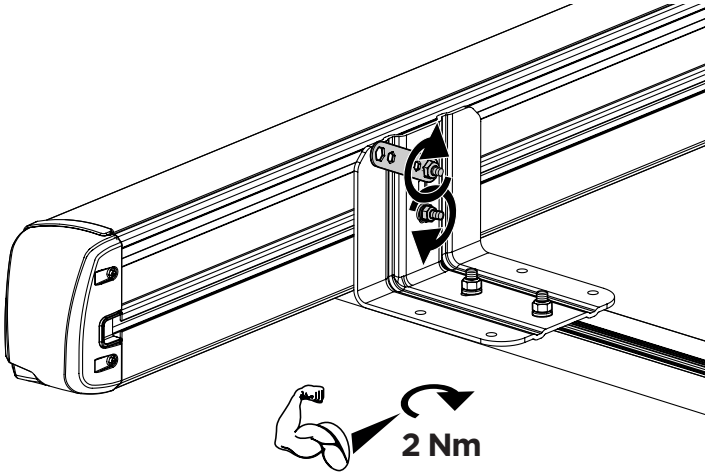
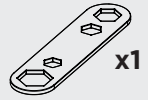


Thule Xsporter  
Thule TracRac





9



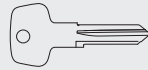
10



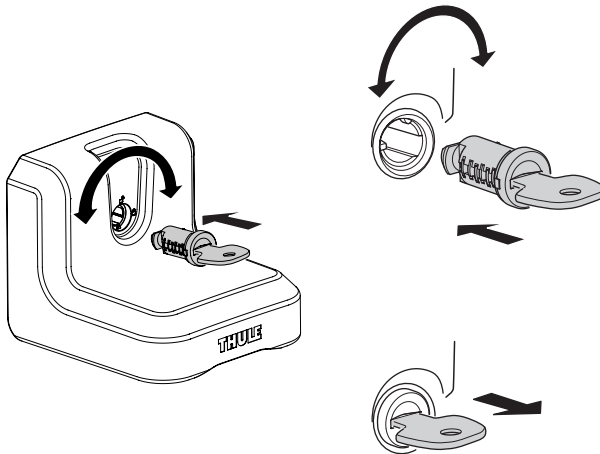
x2



x2

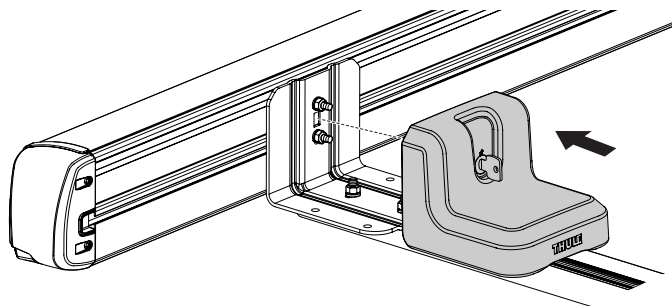


x1

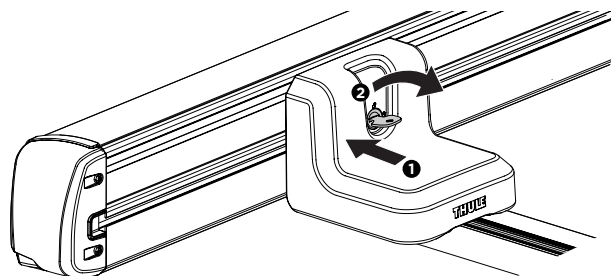




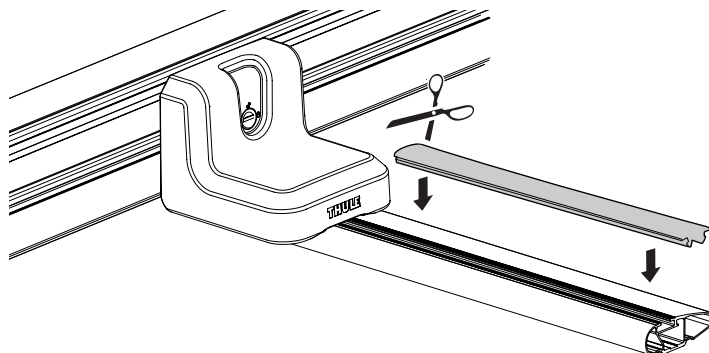
A



B



C



# ➤ Safety

## Thule Awnings

<b>EN</b>	Safety.....	3
-----------	-------------	---





**WARNING: INDICATES A POTENTIALLY HAZARDOUS SITUATION WHICH, IF NOT AVOIDED, COULD RESULT IN SERIOUS INJURY, MAJOR PROPERTY DAMAGE OR EVEN DEATH.**



**NOTE: INDICATES FURTHER INFORMATION.**



**TIP: PROVIDES HELPFUL SUGGESTIONS.**

## A.0 GENERAL

- |     |   |     |  |
|-----|---|-----|--|
| A.1 | This manual comes with the awning and is also available on <a href="http://www.thule.com">www.thule.com</a> | A.3 | Keep the manual and all instructions for future reference. |
| A.2 | The manual must be read and understood before the device is set up, operated, cleaned or serviced.          |     |  |

## B.0 SAFETY AND WARNINGS

- |     |  |     |  |
|-----|--|-----|--|
| B.1 | Check and replace worn-out or defective parts. If you do not have sufficient technical knowledge, this must be done by a specialist.   | B.5 | Disconnect the power supply by means of the on/off switch before you clean the vehicle near the awning or the awning itself.   |
| B.2 | Periodically check the fixing status of the brackets, especially after having traveled the first kilometers after the assembly and every time before and after long journeys, making sure that they have not moved and that the tightening is correct. If you do not have sufficient technical knowledge, this must be done by a specialist. | B.6 | To avoid shock hazard and/or accidental system shorting, always disconnect the battery or power source before working on or around the electrical system.  |
| B.3 | For motorized awnings :  | B.7 | Electrical devices are not toys. Keep out of the reach of children. Prevent children from playing with the switch.   |
| B.4 | If the connection cable of the awning is damaged, it must be replaced by an expert.  | B.8 | Do not use electrical equipment if you are lacking in concentration or awareness, or are under the influence of drugs, alcohol or medication. Even a short moment of inattentiveness can lead to serious accidents and injuries when using electrical equipment. |

## C.0 DRIVING PROPERTIES & REGULATIONS

- |     |  |  |
|-----|--|--|
| C.1 | The vehicle's speed must always be adjusted to the load being carried and the current driving conditions, such as the road type, | road quality, wind conditions, traffic intensity and applicable speed limits, but must |
|-----|--|--|

under no circumstances exceed 130 km/h. Applicable speed limits and other traffic regulations must always be observed.

- C.2 Drive slowly over speed bumps.
- C.3 Note that the vehicle's total height may increase when install a awning.

## D.0 INSTALLATION

---

- D.1 We recommend that the installation is carried out by qualified personnel and in compliance with current local regulations. Improper installation can lead to serious injury.
- D.2 Before installation, ensure compatibility with the vehicle on which the product must be installed. A full check that the wall is sufficiently solid and suitable for guaranteeing the resistance of the anchoring points is always mandatory.
- D.3 Check with the assembly instructions that all the necessary parts are present.
- D.4 If there is insufficient space above the door after the awning is mounted, the door must remain closed when retracting or extending to avoid the door making contact with the arms or the front panel. The required space depends on the design of the door (door width, swing or sliding door) as well as the set angle of inclination of the awning.
- D.5 The adapters must support the awning at the awnings spring arms for a correct and stable mounting. When this is not possible use a full length adapter.

## E.0 MAINTENANCE

---

- E.1 Remove any debris (twigs, leaves or similar) lying on the awning fabric to prevent abrasions, stains and mildew. The awning can also get damaged when it is retracted.
- E.2 "Risk of damage!"
  - Never clean the awning with a high-pressure cleaner.
  - Do not use abrasive cleaning agents or hard objects during cleaning, as these can damage the product. Use only a soft cloth or soft brush."
- E.3 Do not use oil-based cleaners or any caustic, granulated, or abrasive type cleaners on your Thule product.
- E.4 Mildew is a fungus growth that looks like dirt. Vinyl coated polyester fabrics are mildew resistant because of a chemical biocide in the vinyl coating. Under ordinary conditions, mildew will not appear. However, in areas where high temperature and humidity are common, mildew can be a problem and require the material to be washed more frequently. Thoroughly rinse the fabric with clean water and allow to air dry completely before rolling up the awning.
- E.5 If required, lubricate the joints of the awning with paraffin wax, teflon oil or silicone oil.
- E.6 Check the awning regularly for any imbalance and wear, as well as damage to major parts.
- E.7 Only retract the awning, when the fabric is free of debris (branches, leaves or similar). Otherwise the awning can be damaged.
- E.8 Only retract the awning if it is wet for safety reasons. Extend it again as soon as possible. Otherwise, mildew or stains can form or the colour may fade.

## F.0 ENVIRONMENT

---

- F.1 Place the packaging material in the appropriate recycling waste bins wherever possible. If you wish to finally dispose of the product, ask your local recycling centre or

specialist dealer for details about how to do this in accordance with the applicable disposal regulations.

- F.2 For motorized awnings or electrical accessories :
- F.3 "The WEEE symbol on the device, the accessory or the packaging, indicates that this device may not be treated as unsorted municipal waste, but must be collected separately!  
Within the countries of the EU, the device

must be presented at an official collection point for the recycling of waste electrical and electronic equipment . In other European or foreign countries, use the local collection systems for disposing electrical and electronic equipment.

By disposing the device in the proper manner, you help to avoid environmental damage and risk to public health. The recycling of materials contributes to the conservation of natural resources."

## G.0 WARRANTY

---

- G.1 The Thule Guarantee will cover any defect or damage affecting your Thule product. Even damage caused by normal wear and tear or the natural discoloration of materials for 2 years from the date of purchase by the end consumer. The Thule Guarantee gives you specific legal rights. It does not affect any statutory rights that you have as a purchaser of a defective product.
- G.2 The warranty covers replacement of parts arising from defects and from the inability of the awning to perform its intended function.
- G.3 In case of a defect, consult your dealer with the original invoice.
- G.4 Defects, which in our judgment occur from misuse, negligence or accident, are out of Thule's control and not covered by the warranty. In addition, the warranty does not apply if the product is installed or handled improperly or if the awning has been altered in any way or has been repaired by unqualified personnel, or if the serial number and/or date has been altered. In case of use of non-original Thule accessories, the warranty will be declared invalid.
- G.5 It's not allowed to attach an inflatable tent to the front (lead) rail of the awning. In case of misuse of the awning, the warranty will be declared invalid.
- G.6 Should the end consumer wish to return a product, contact your RV dealer directly.
- G.7 Returned goods should be packed in solid wrapping.
- G.8 No other warranty is given and no representative is authorised to give any warranty or assume liability by words or action under any warranty other than that is contained herein. This warranty is expressly in lieu of any other expressed or implied warranty of whatever nature and expressly excludes any other or further liability.
- G.9 "Thule reserves the right to:  
Repair the item falling under the terms of the Thule Guarantee. Replace the item if the damage or defect cannot be repaired. Offer a similar product of comparable value, or refund the price paid, if we cannot replace with the same model. The Thule Guarantee does not cover defects resulting from conditions beyond Thule's control. These include, but are not limited to, misuse, overloading, or from failure to assemble, mount or use the product or its accessories in accordance with Thule's written instructions, guidelines, and safety text. Nor does it cover damage to the user's vehicle, electronic devices, cargo, or to any other person or property."
- G.10 "How to report a warranty  
Please return your product with a filled out claims form along with proof of purchase to the point of sale. Your claim will be evaluated and, in most cases, handled at the dealer. If

further inspection is needed, the product will be sent to Thule through your dealer.

"

G.11 "Warranty and replacement parts:  
Thule is dedicated to providing exceptional products that are quality tested and guaranteed against defects in materials and workmanship. Only use replacement parts supplied or recommended by Thule. Replacement parts are available for purchase at your local Thule dealer. You can find the closest Thule Dealer by using our dealer locator on Thule.com."

G.12 "Manufacturer and seller expressly disclaim any and all liability for personal injury, property damage or loss, whether direct, indirect, or incidental, resulting from the incorrect attachment, improper use, inadequate maintenance, or neglect of this product.

We warrant this product to the first consumer to be free from defect in material and workmanship for 2 years from the date of purchase."

G.13 The awnings are produced with a high quality standard, but some of the characteristics of the materials (as little imperfections on paint or linearity of aluminium profiles; little marks or light deformations of plastic parts),

which could be interpreted as defects, derive from the materials and from the specific work processes, and these characteristics occur even though Thule uses advanced and innovative machine production techniques. These characteristics are not considered as a replacement.

G.14 This manual provides operational procedures for the thule awning. Operating the thule awning in any other manner than described may result in personal injury, damage to the recreational vehicle unit or the awning assembly as well as voiding the thule warranty.

G.15 If a user uses a non Thule accessory on a Thule awning, it will invalidate the warranty on the awning.

G.16 This Limited Warranty gives you specific legal rights. You may also have other legal rights that vary by country or jurisdiction. Similarly, some of the limitations in this limited warranty may not apply in certain countries or jurisdictions. The terms of this limited warranty apply to the extent permitted by applicable law. For a full description of your legal rights you should refer to both this limited warranty and the laws applicable in your jurisdiction.

## H.0 TROUBLESHOOTING

---

H.1 In case of problems please contact your local Thule dealer indicating the data on the label that can be found inside the awning. Consult our website for spare parts drawing: [www.thule.com](http://www.thule.com)





