



**SUBARU**

INSTALLATION INSTRUCTIONS

PART NUMBER: L101SSJ000

DESCRIPTION: FORESTER  
TRAILER HITCH

**PLEASE READ THESE INSTRUCTIONS CAREFULLY, BEFORE YOU START INSTALLATION**

SAFETY PRECAUTION: When installing Trailer Hitch, the use of safety glasses is recommended.

**WARNING:**

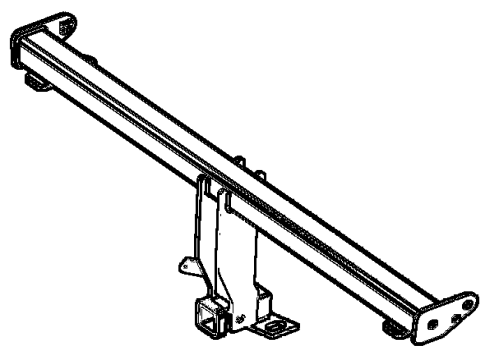
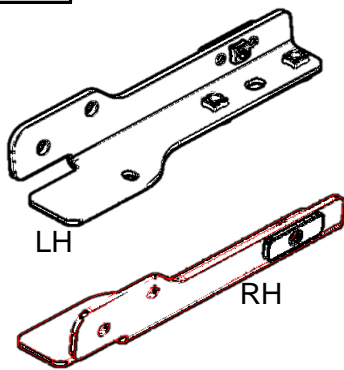
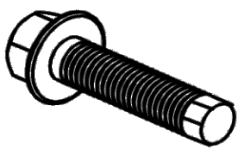
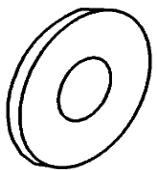
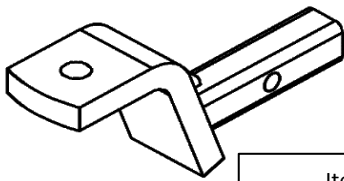

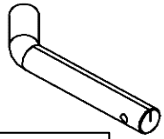
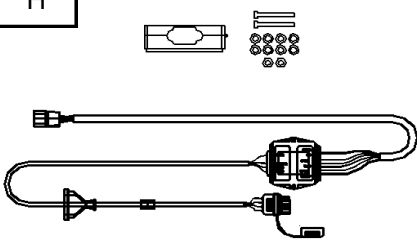

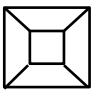


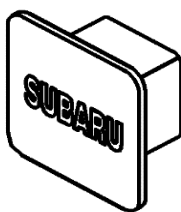

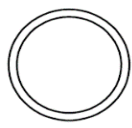
1. Always install the accessory following the instructions. Failure to do so may cause damage to the vehicle or the accessory.
2. Please also refer to SUBARU SERVICE MANUAL upon removing and re-assembling vehicle components.
3. Do not drill, cut, weld or otherwise modify the Trailer Hitch.
4. Do not lubricate the bolts and nuts with oil or grease.
5. If Trailer Hitch is removed, a bumper beam **MUST** be reinstalled. Failure to reinstall a bumper beam after removal of the trailer hitch will negatively affect vehicle rear crash performance. Please contact your SUBARU dealer.
6. When a Trailer Hitch is installed, it is not possible to install the rear towing hook.
7. Never exceed the maximum towing capacity and maximum tongue load. It could cause personal injury and/or vehicle damage.
8. When towing, total vehicle weight must not exceed the Gross Vehicle Weight Rating (GVWR). Also the load distribution on each axle must not exceed the Gross Axle Weight Rating (GAWR). The GVWR and GAWR for your vehicle can be found on the "Certification label" which is located on the left side center pillar of the vehicle.
9. For models equipped with RAB, refer to the part which indicated 【RAB.】
10. Ensure all recyclable discarded vehicle accessory components and packaging are recycled following local recycling regulations.
11. It is always recommended that this accessory is fitted by a qualified SUBARU technician.
12. In the engine bay, disconnect the negative battery terminal.
13. Safely store and protect any removed vehicle components.
14. Ensure all bare metal surfaces are protected using Automotive Bare Metal Primer and touch-up paint.
15. Remove all metal swarf and dust from all vehicle surfaces if surface is used for accessory installation.
16. Tow hitch to be used with Subaru ball mount L101SSJ200. Ball mount is sold separately.

Warranty is granted only when installation is done correctly by your SUBARU dealer.

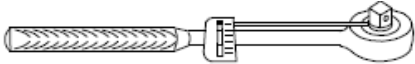

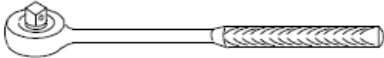


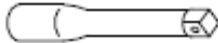

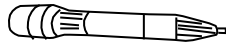
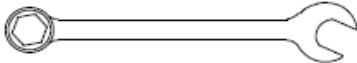
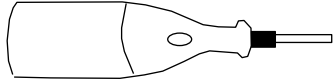
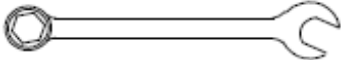

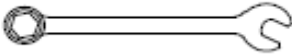
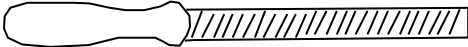

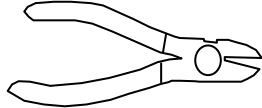


SUBARU reserves the right to change the design of accessories and/or construction, illustration, and text of this manual at anytime without prior notice.

**Please put installation instruction in glove box once installation is complete.**

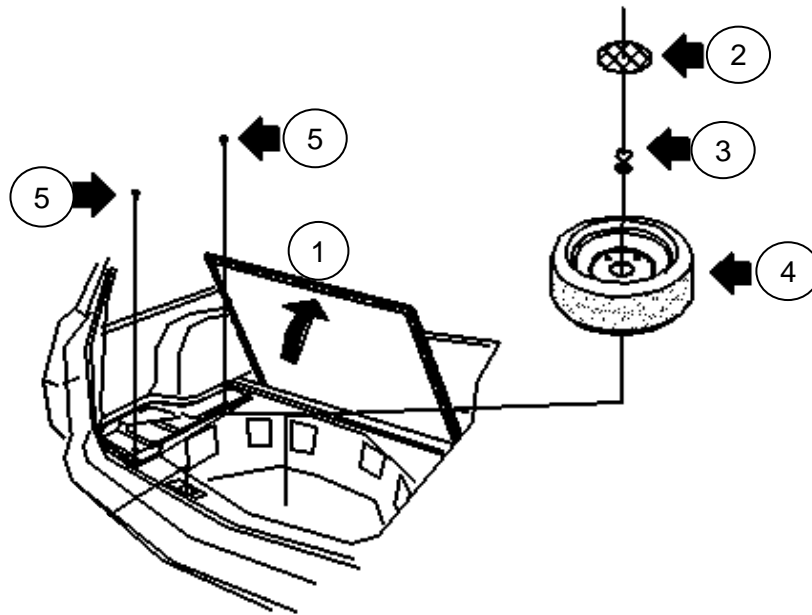
KIT CONTENTS:

<p>A</p>  <p>x1</p>	<p>B</p>  <p>LH RH</p> <p>x1 set</p>	<p>C</p>  <p>M12 hex flange bolt</p> <p>x12</p>	
<p>D</p>  <p>M12 flat washer</p> <p>x6</p>	<p>E</p> 	<p>F</p> 	<p>G</p> 
<p>Items E, F, G are not included with hitch kit. Ball mount kit is sold separately as #L101SSJ200</p>			
<p>H</p>  <p>wiring harness</p> <p>x1</p>	<p>I</p>  <p>cable tie</p> <p>x3</p>	<p>J</p>  <p>cable tie mount</p> <p>x3</p>	
<p>K</p>  <p>foam tape</p> <p>x1</p>	<p>L</p>  <p>rubber trim</p> <p>x2</p>	<p>M</p>  <p>SUBARU</p> <p>x1</p>	<p>N</p>  <p>exhaust nut</p> <p>x2</p>
<p>O</p>  <p>exhaust gasket</p> <p>x1</p>			

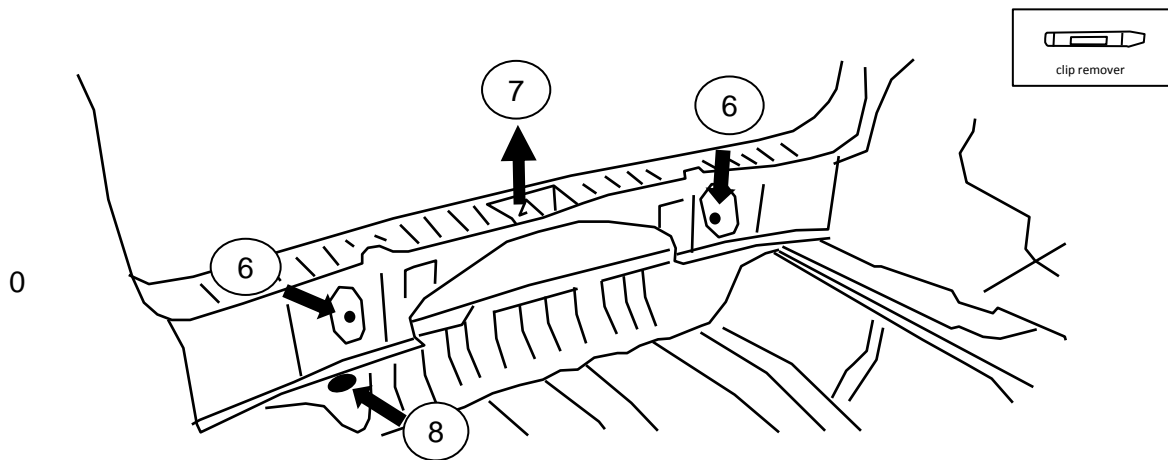
**TOOLS REQUIRED:**

<p>1/2" drive torque wrench</p> 	<p>10 mm socket</p> 
<p>1/2" drive ratchet</p> 	<p>7mm socket</p> 
<p>Flat head screwdriver</p> 	<p>6" socket extension</p> 
<p>Phillips head screwdriver</p> 	<p>touch up paint</p> 
<p>18mm open end wrench</p> 	<p>cutting tool</p> 
<p>14mm open end wrench</p> 	<p>reamer</p> 
<p>7mm open end wrench</p> 	<p>file</p> 
<p>17mm deep well socket</p> 	<p>side cutter</p> 
<p>14mm deep well socket</p> 	<p>clip remover</p> 

1 ACCESS TRUNK WELL AND REMOVE SPARE TIRE

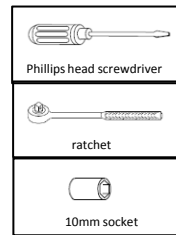
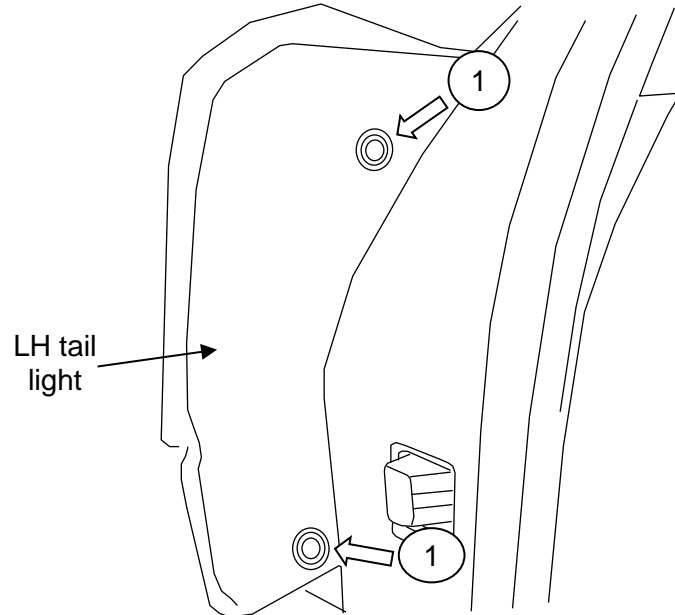


- ① Raise and remove the carpeted spare tire compartment cover.
- ② Remove tool tray
- ③ Unscrew and remove tire thumbscrew.
- ④ Remove spare tire.
- ⑤ Remove (4) push pin fasteners from side foam trays.
- ⑥ Remove (2) push pin fasteners to remove the rear inside trunk panel.
- ⑦ Remove rear tailgate trim.
- ⑧ Remove rubber plug from rear skirt panel.

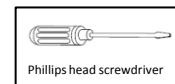
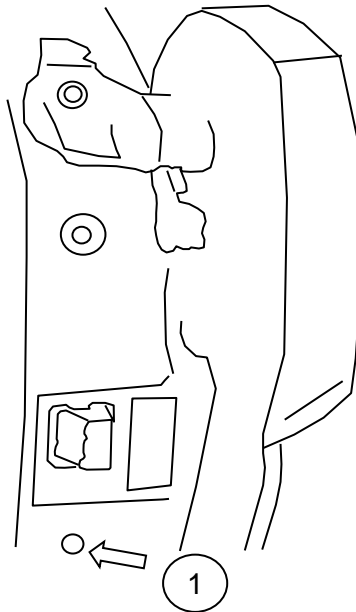


## 2 REMOVE REAR TAIL LIGHT COVERS

- 1 Using a small Phillips head screwdriver and ratchet with 10 mm socket, remove (2) screws from the rear tail light cover assembly on each side

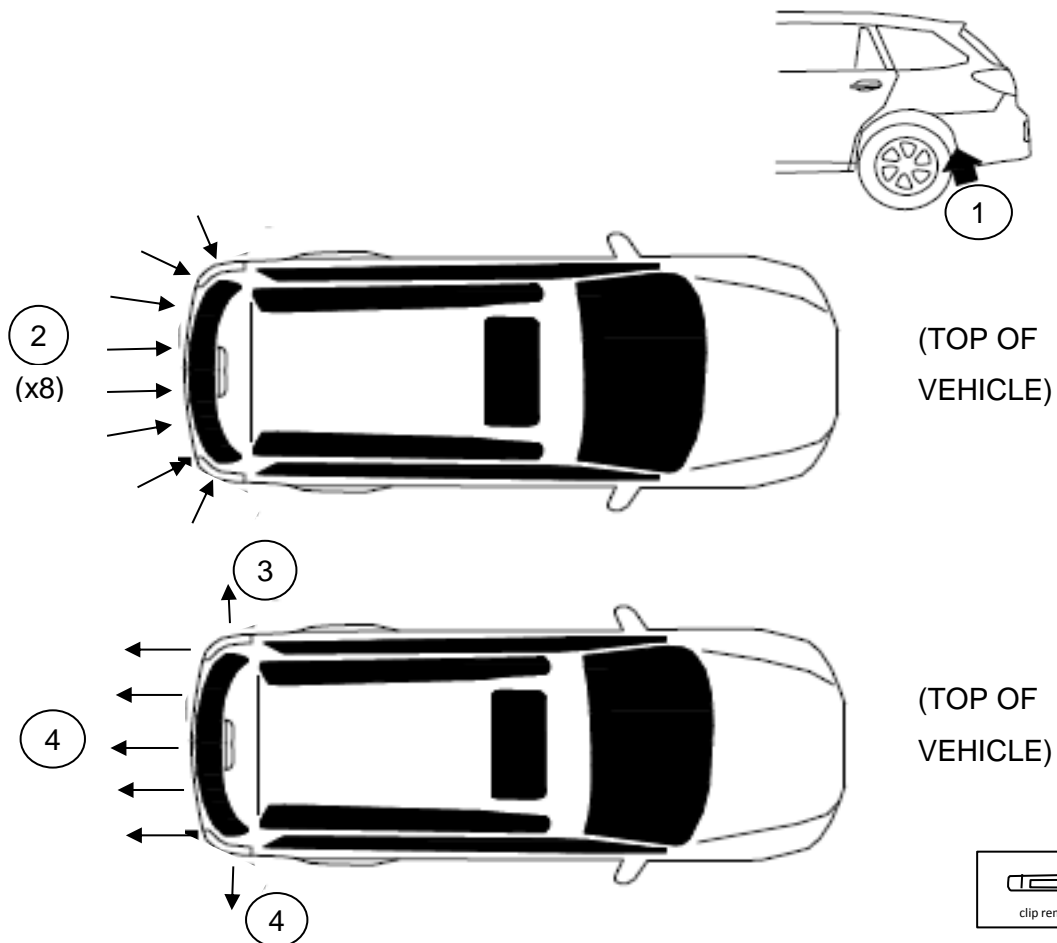


- 2 Using a small Phillips head screwdriver to remove the bottom screw that is attaching the bumper fascia.



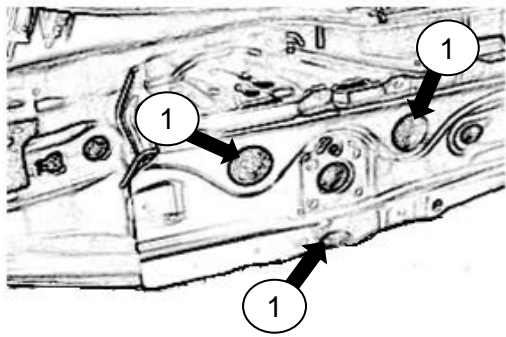
### 3 REMOVE REAR BUMPER FASCIA

- 1 With a screwdriver, release (1) small push pin fastener per side on the LH/RH fascia wheel well. Use the tip of the screwdriver to push the center of the pin.
- 2 With a small flat head screwdriver, remove (8) large push pin fasteners across the length of the bumper. Save push pins for later use.
- 3 Starting at the LH side wheel well, using both hands, pull one side of the fascia out from the vehicle.
- 4 Continue around the rear LH side. At the rear corner, begin to pull rearward and work across the vehicle from left to right to remove the entire bumper.
- 5 Disconnect the RAB sensor harness.
- 6 Fully release the bumper from the vehicle body.
- 7 Lay fascia aside where it will not be damaged during hitch installation.

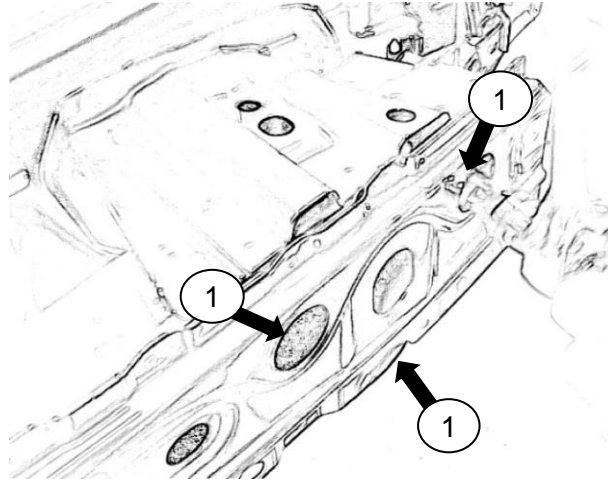


#### 4 REMOVE REAR BUMPER BEAM

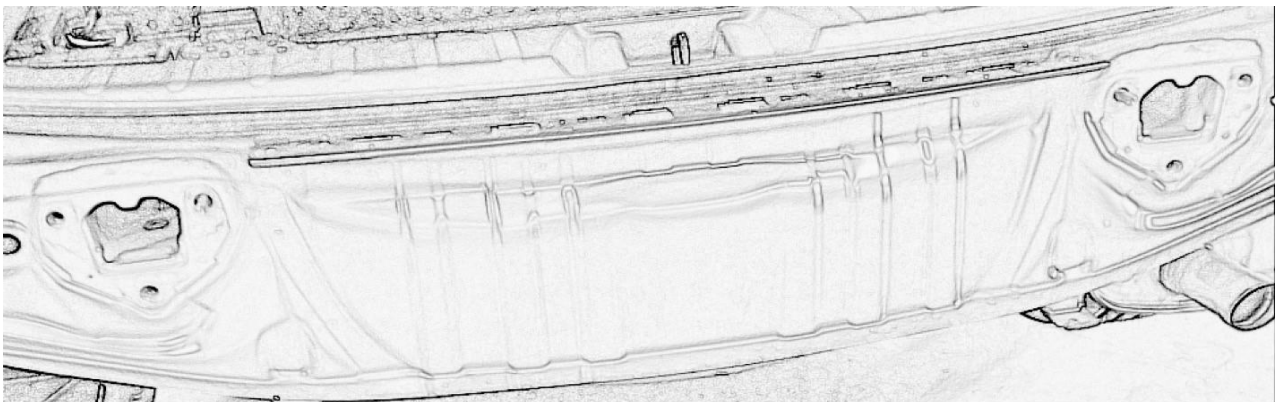
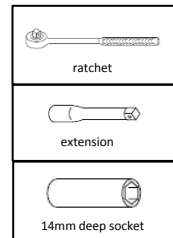
- ① Using 14 mm deep socket, remove (2) bolts and (1) nut from each side of the bumper beam
- ② Discard (2) nuts and (4) bolts.
- ③ Remove the bumper beam.



LH SIDE



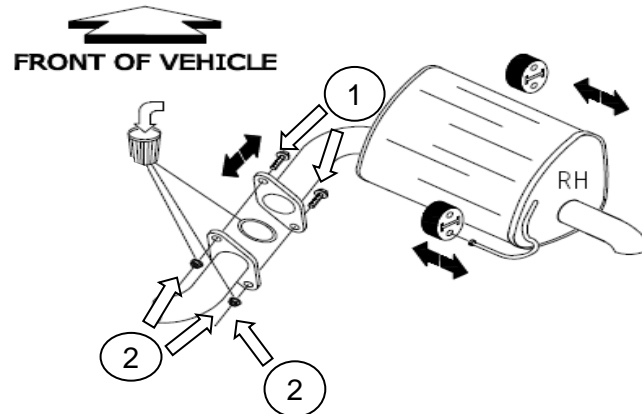
RH SIDE



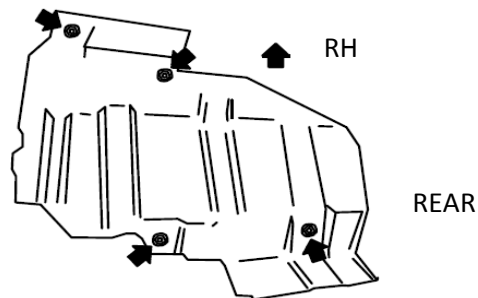
If Trailer Hitch is removed, a bumper beam MUST be reinstalled. Failure to reinstall a bumper beam after removal of the trailer hitch will negatively affect vehicle rear crash performance. Please contact your SUBARU dealer.

## 5 REMOVE MUFFLER AND HEAT SHIELD AND PREPARE FRAME

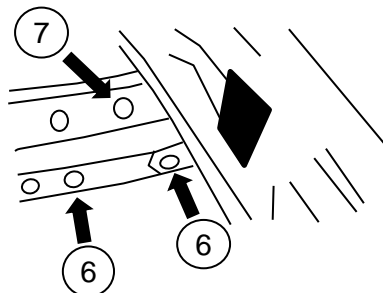
- ① Unbolt the muffler from the exhaust pipe by disconnecting 2 bolts at the flange.
- ② Discard the exhaust gasket and (2) lock nuts
- ③ Remove the muffler by first disengaging the rearmost exhaust hanger, then disengaging the forwardmost exhaust hanger.
- ④ Put the muffler aside for later reinstallation.



- ⑤ Remove (4) heat shield bolts and then remove the heat shield. Retain bolts and heat shield for reinstallation.



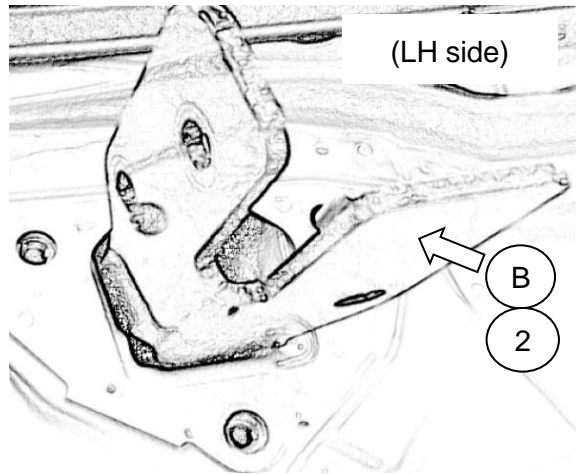
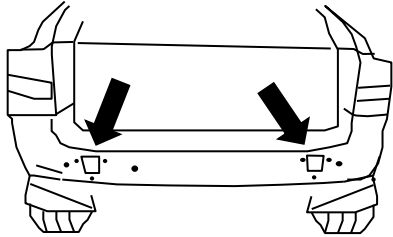
- ⑥ Remove (2) rubber grommets per side from the bottom of the side frame.
- ⑦ Remove (1) rubber grommet per side from the inside of the frame rail.



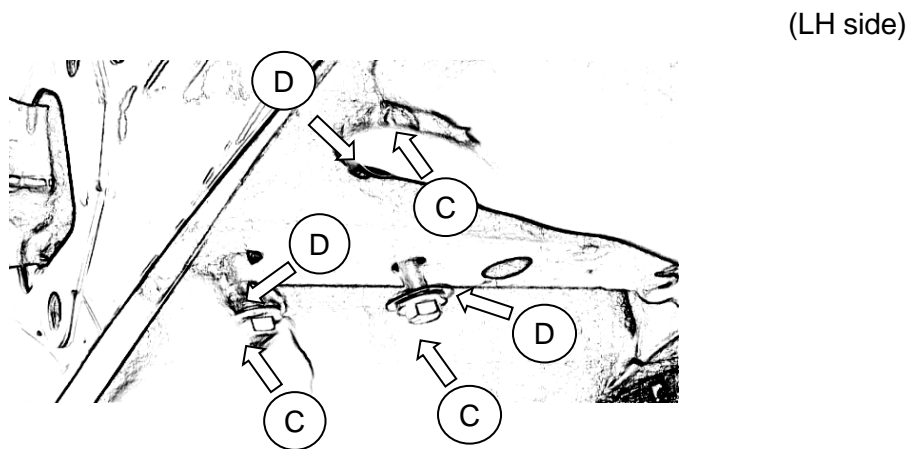


6 INSTALL LH / RH FRAME BRACKET ASSEMBLIES - PART "B"

- ② Place LH and RH welded bracket subassembly "B" into side frame hole opening.

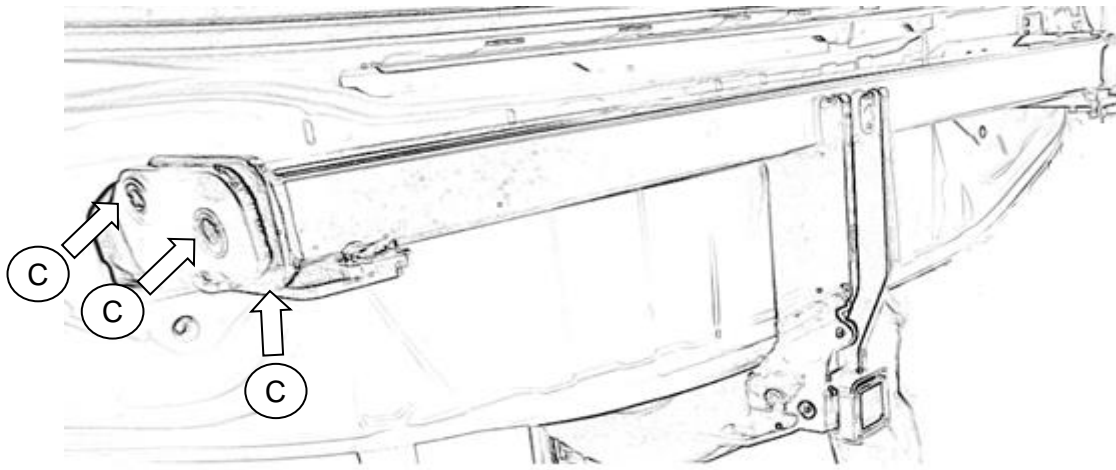


- ③ Align the bracket holes with the holes in the frame rail.
- ④ Loosely install (1) M12 bolt "C" and washer "D" through the bottom of the frame into the (2) frame holes and (1) into the side frame hole. Repeat on the other side of the vehicle.



**7** INSTALL MAIN HITCH MEMBER - PART "A"

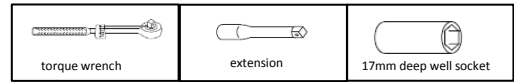
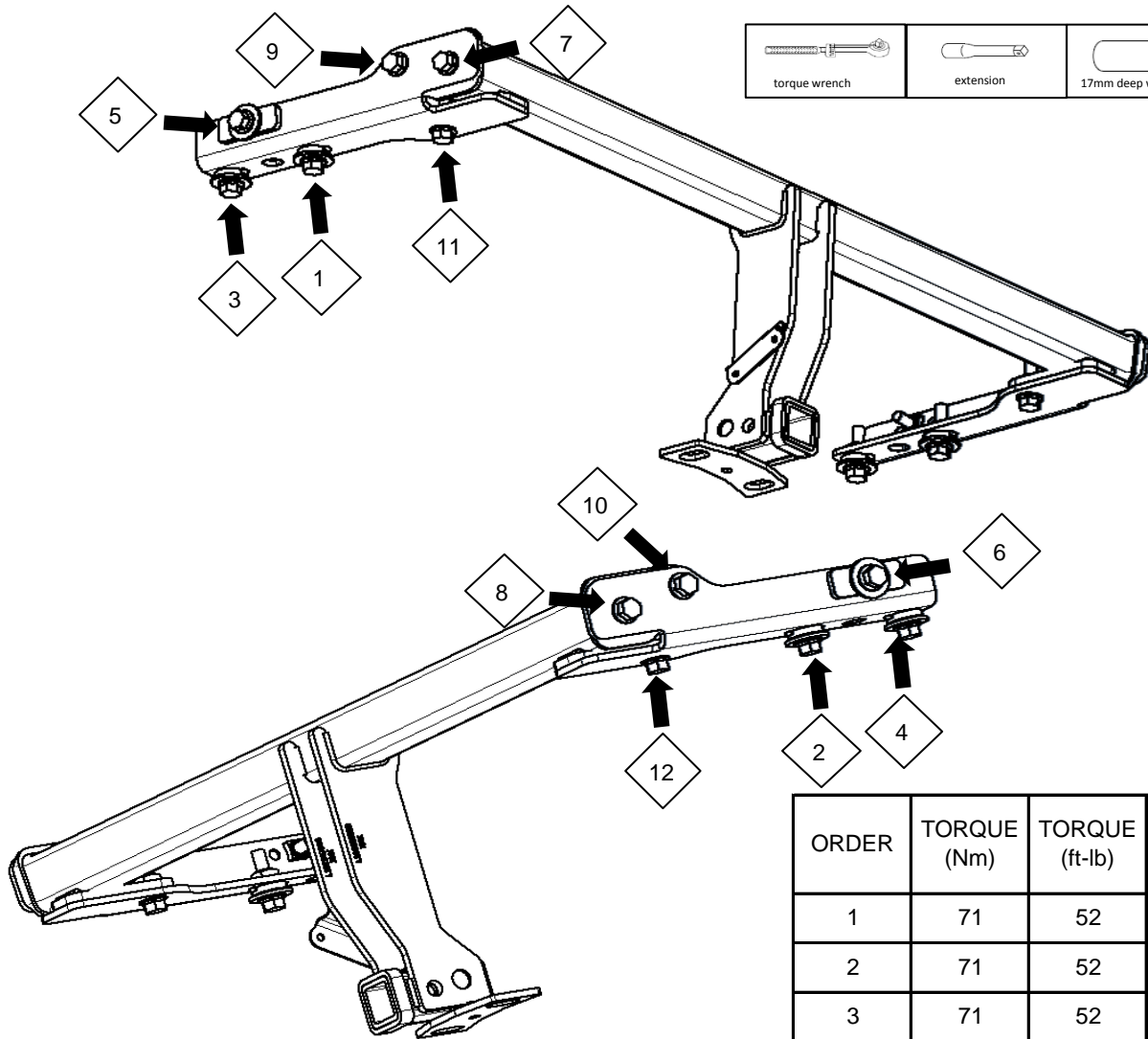
- 1 Install the main hitch "A" between the LH and RH frame bracket subassemblies.
- 2 Loosely install (3) M12 bolt "C" on each side into the bracket weld nuts



**8 TORQUE FASTENERS**



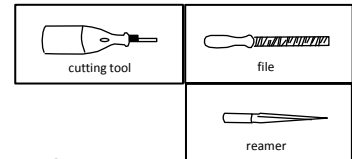
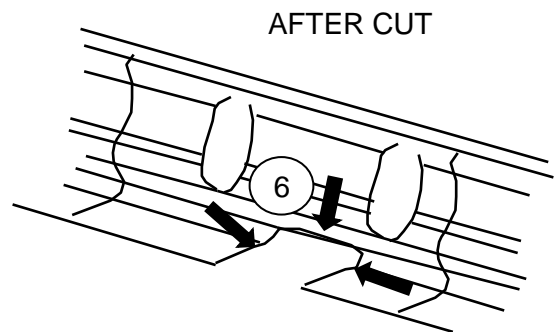
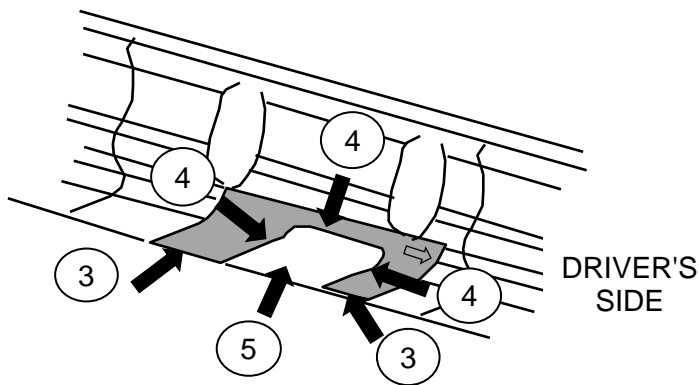
1 Torque all fasteners in the order and to the torque valuse as shown in the table



ORDER	TORQUE (Nm)	TORQUE (ft-lb)	socket size (mm)
1	71	52	17
2	71	52	17
3	71	52	17
4	71	52	17
5	71	52	17
6	71	52	17
7	71	52	17
8	71	52	17
9	71	52	17
10	71	52	17
11	71	52	17
12	71	52	17

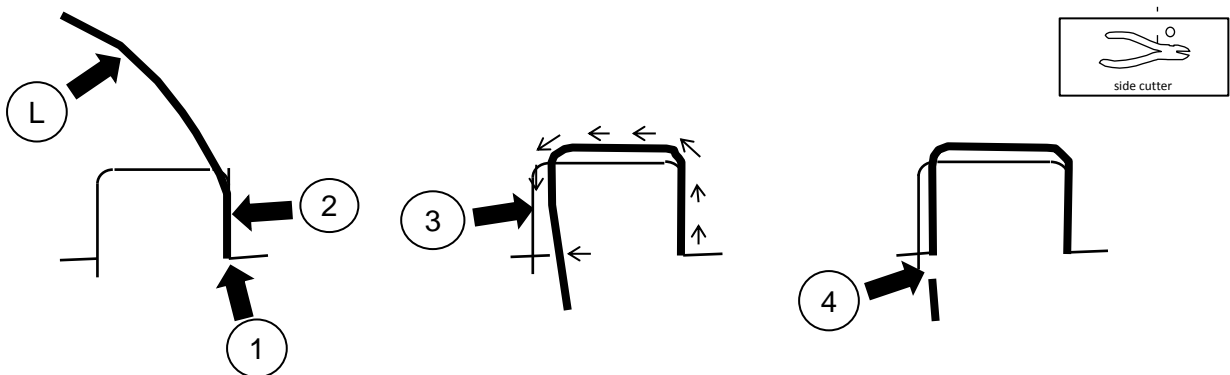
## 9 MODIFYING REAR BUMPER FASCIA

- 1 Move the fascia to a flat area in order to cut the "U" shape for the trailer hitch.
- 2 Remove the paper template on the next page and prepare as shown on that page.
- 3 Align the holes in the template to the holes on the inside of the bumper fascia.
- 4 With the template in place, mark the "U" shape.
- 5 Move the fascia to a flat area in order to cut the "U" shape for the trailer hitch.
- 6 Remove all burrs and rough edges after the cut is made.



## 10 INSTALLING RUBBER BUMPER TRIM GASKET "M"

- 1 Make sure the starting end of the gasket has a 90° square cut end.
- 2 Starting at one end of the bumper opening, carefully slide the gasket "L" along the edge.
- 3 Continue to wrap around the opening, being sure to create a smooth joint as you go.
- 4 Once the gasket is in place, trim the excess length so that it is even with the edge.



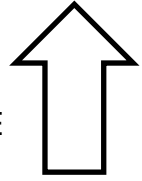
REAR BUMPER FASCIA - HITCH OPENING CUTTING TEMPLATE

Paper Size: Letter

Scale: 1:1

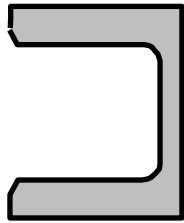
Select "Actual Size" in printer options

DRIVER'S SIDE



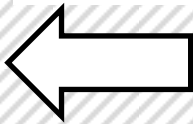
cut out all hatched area

when complete, template should look like this:



fascia centerline

BUMPER EDGE

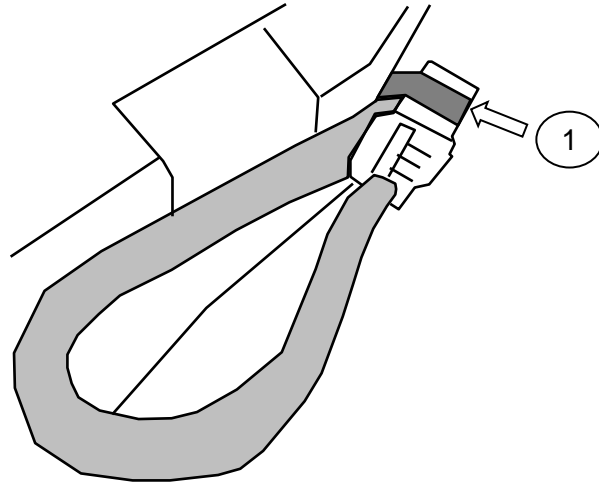


1" SQUARE  
use as  
reference to  
verify correct  
print scale

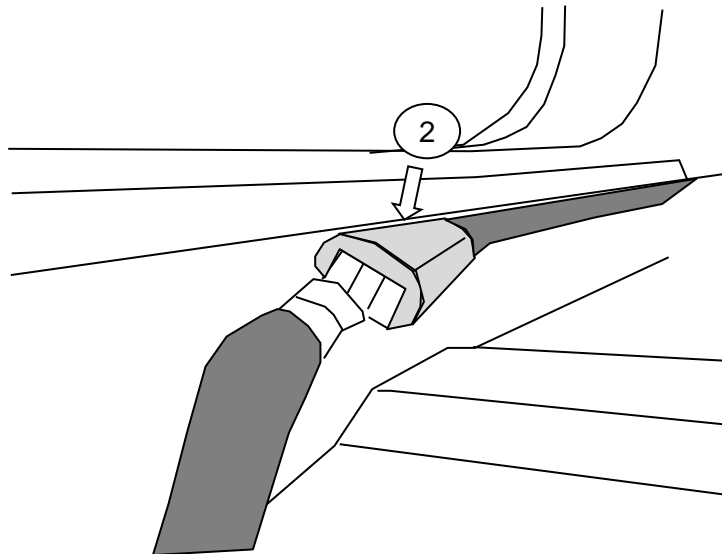
INSTALL ON INSIDE FACE OF BUMPER FASCIA

## 11 WIRING HARNESS INSTALLATION

- 1 Locate vehicle side connector and remove/cut tape to uncoil

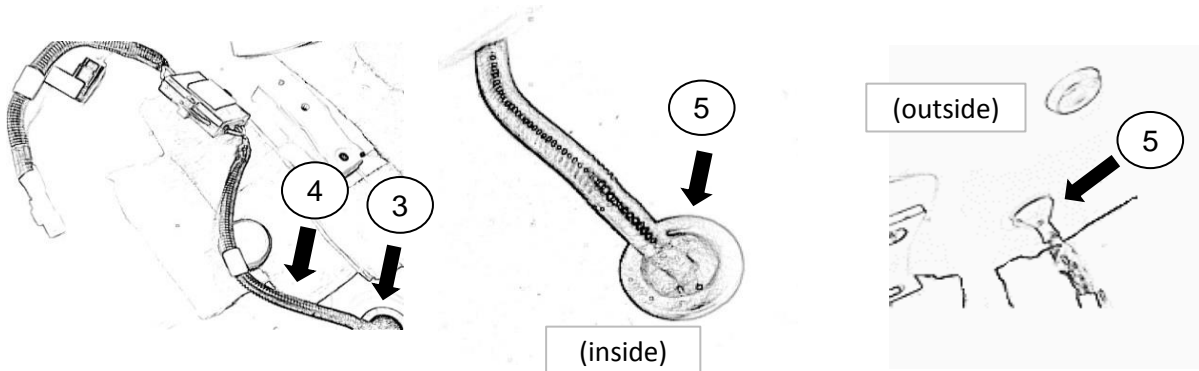


- 2 Mate trailer harness connector "H" to vehicle connector and wrap in foam tape "K".

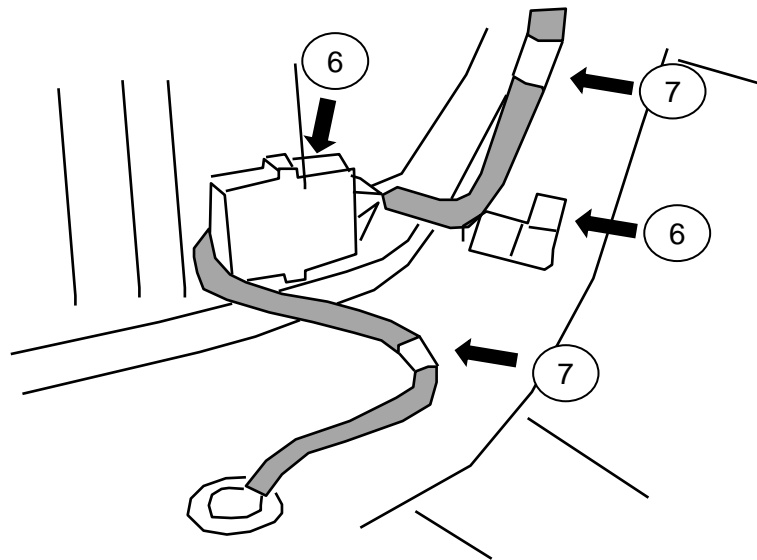


## 11 WIRING HARNESS INSTALLATION (CONT'D)

- 3 Remove plug from trunk floor panel as shown.
- 4 Route the 4-pin connector end of the trailer harness from the inside of the trunk, through the hole to the underside of the vehicle
- 5 Fully seat the rubber grommet into the hole.

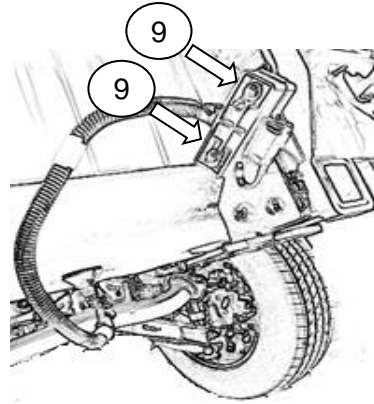
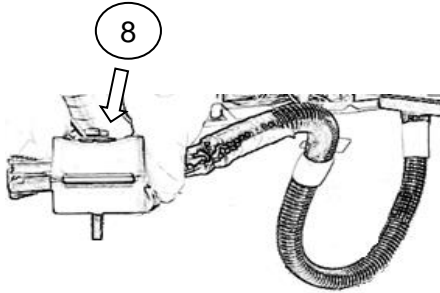


- 6 Remove the adhesive line from the fuse and controller module (ECU) and secure to trunk well in locations shown in picture. (Be sure to clean surface before applying tape)
- 7 Apply adhesive cable tie mounts "J" in the locations shown. Use a cable tie "I" to secure the wiring harness to the mounts using the white tape marks on the harness tube as a guide.

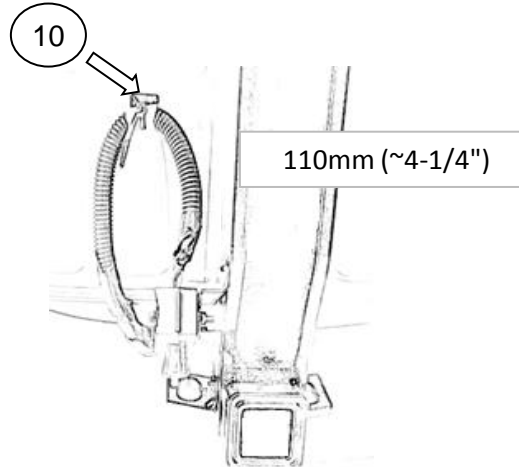


## 11 WIRING HARNESS INSTALLATION (CONT'D)

- 8 Install the 4-pin flat connector into the clam shell mounting connector.
- 9 Using hardware provided, install to trailer hitch wiring mounting bracket.



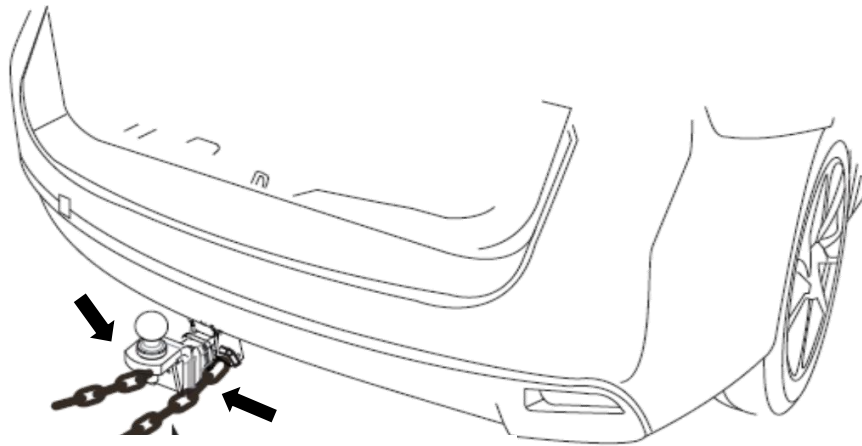
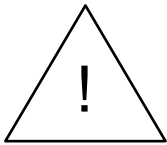
- 10 Install (1) adhesive back cable tie mounts "J" in the locations shown. Use a cable tie "I" to secure the wiring harness to the mounts using the white tape marks on the harness tube as a guide.





12 SAFETY CHAIN HOOK

- 1 Always use safety chains when towing.



## 13 INSTALLATION INSTRUCTIONS

- 1 These instructions are an official document and an integral part of the trailer hitch. It should be stored in a glove box all the time and handed over with the vehicle if sold.

## 14 REINSTALLATION OF COMPONENTS

- 1 Reinstall heat shield. Torque to 10 Nm (90 in-lb)
- 2 Reinstall the muffler using self locking nut "N" and exhaust gasket "O" supplied in kit. Torque the exhaust nuts to  $45\pm 5$  Nm ( $35\pm 4$  ft-lb)
- 3 Reconnect RAB harness
- 4 Reinstall rear bumper fascia.
- 5 Reinstall rear tail light covers.
- 6 Reinstall spare tire and related components.
- 7 Replace rear compartment cover.
- 8 Place receiver plug "M" into tow hitch receiver neck.

## 15 CAUTION



- 1 For further information, read vehicle's owners manual or consult your dealer or dealer's service department.
- 2 SUBARU accepts no liability for product defects caused by the vehicle owner or other persons and/or incorrect use.
- 3 After the first 600 miles, please consult with SUBARU dealer to re-check the tightness of Trailer Hitch bolts and/or nuts.
- 4 For models equipped with BSD (Blind Spot Detection) and RCTA (Rear Cross Traffic Alert) driving support systems, when towing a trailer, press BSD/RCTA OFF switch to deactivate the systems. The system may not operate properly due to the blocked radar waves. For details about BSD/RCTA OFF switch, refer to the owners manual "BSD/RCTA OFF switch".
- 5 For models equipped with RAB (Reverse Automatic Braking) system, please consult with SUBARU dealer when towing a trailer.