

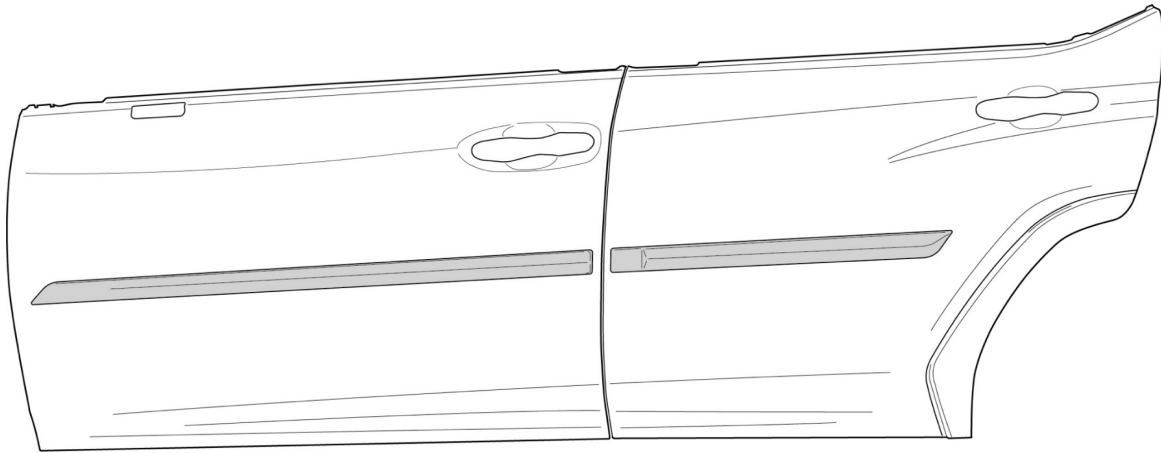


SUBARU

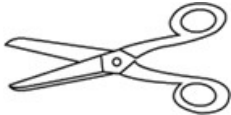
PART NUMBER: J101SVC000

INSTALLATION INSTRUCTIONS

DESCRIPTION: WRX Body Side Molding (BSM)



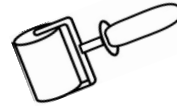
TOOLS REQUIRED:



Scissors

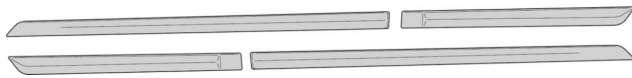


Painters Tape

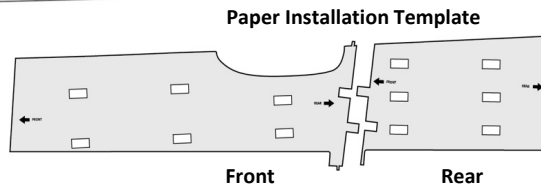


Rubber Roller

KIT CONTENTS:



Body Side Molding
Front + Rear LH & RH Side



Paper Installation Template



Isopropyl Alcohol Packets
(4 per Kit)

MEANING OF CHARACTERS:



: CAUTION – A process that must be carefully observed in order to reduce the risk of damage to the accessory/vehicle and to ensure a quality installation.



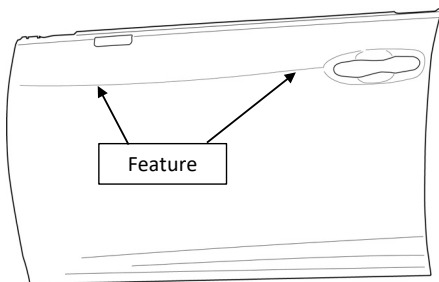
: STOP – Damage to the vehicle may occur. Do not proceed until process has been complied with.



: TOOLS & EQUIPMENT – Specific tools and equipment recommended for this process.

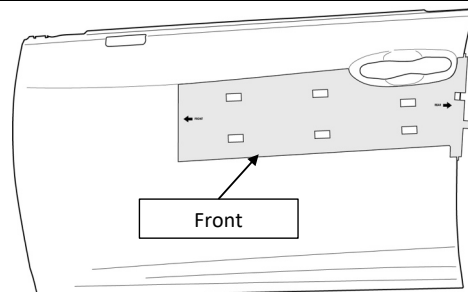
Step 1: Align the paper template on the vehicle door

1a



Feature

1b



Front

Locate the Door Feature Line on the Front Door of the vehicle. Align the Front BSM Template on the door, level with the Door Feature Line.

PART NUMBER:
SPN0004015

ISSUE
00

3/15/2021

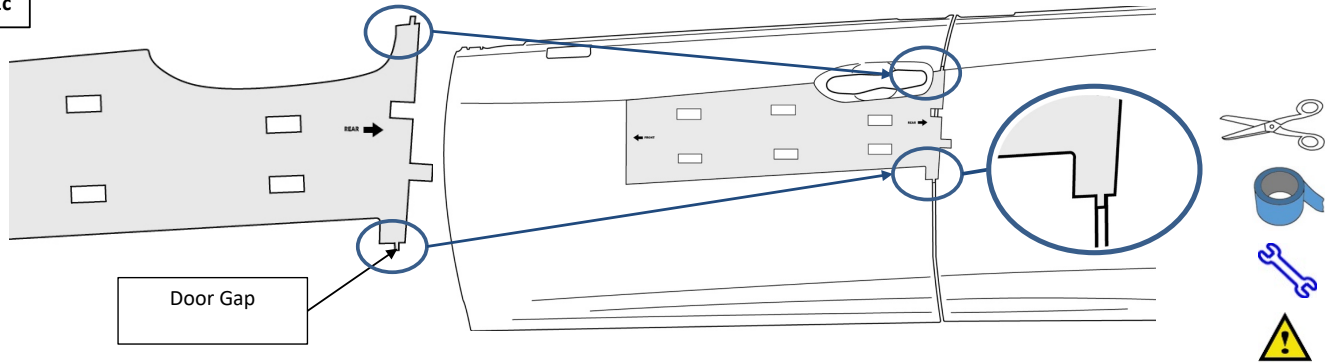
SUBARU OF AMERICA

PAGE 1 / 4



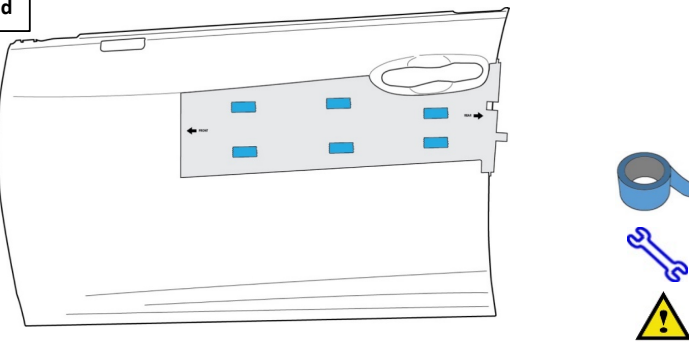
Step 1 (continued): Align the paper template on the vehicle door

1c



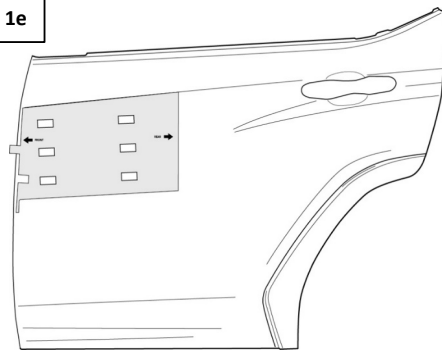
Verify that the small tabs on the top and bottom of the Front Template are lined up in the door gap.

1d



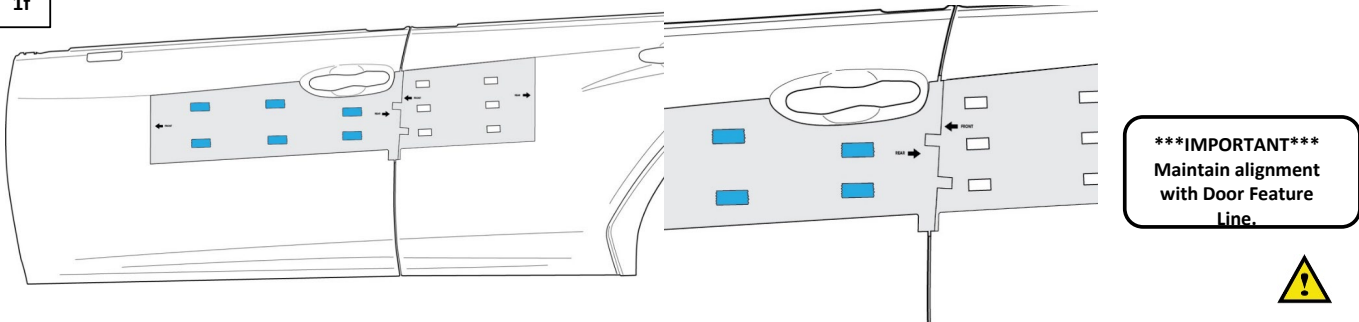
Cut off a piece of Painter's Tape (low adhesive tape) to adhere the Front Door (LH) template into place, using the Six (6) Taping Squares provided in the template.

1e



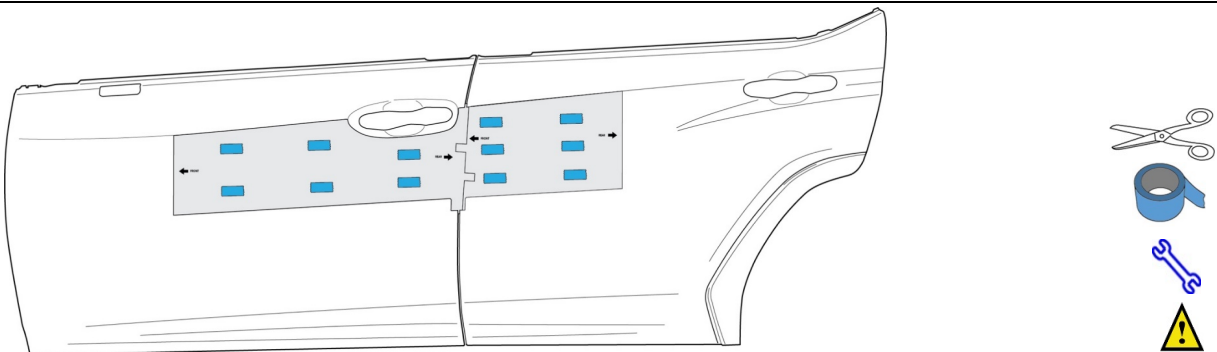
Align the Rear BSM Template on the Rear door, level with the Door Feature Line, but do not tape prior to steps 1f and 1g.

1f



Ensure Center Tabs of Front and Rear Templates Align before taping the Rear Template into place on the vehicle.

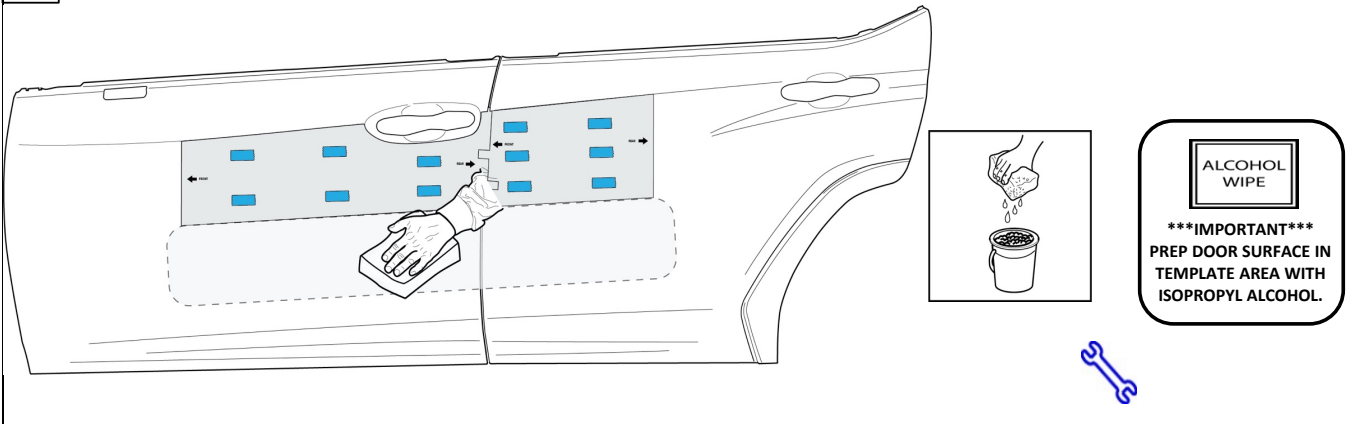
1g



After steps 1e and 1f are completed and verified, tape the Rear Template (small template) into place using Low Adhesive tape. Ensure alignment with the Door Line Feature is maintained during this process.

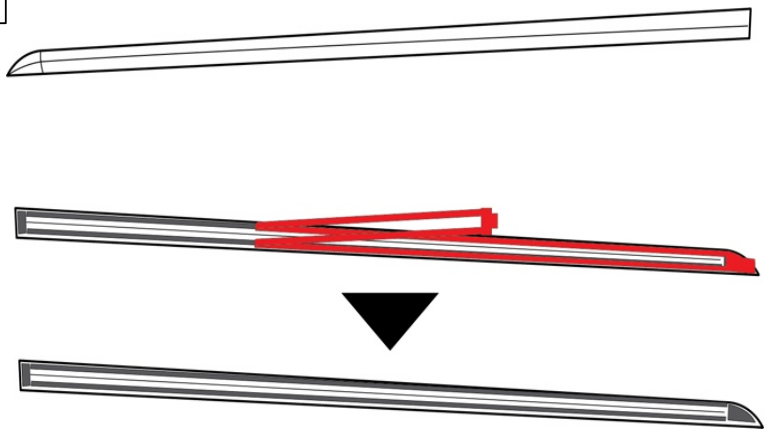
Step 1: (continued) Align the paper template on the vehicle door

1h



Thoroughly clean the Body Side Molding installation area with Soapy water and a sponge. Dry, and go back over installation area with an alcohol packet (1 wipe per do

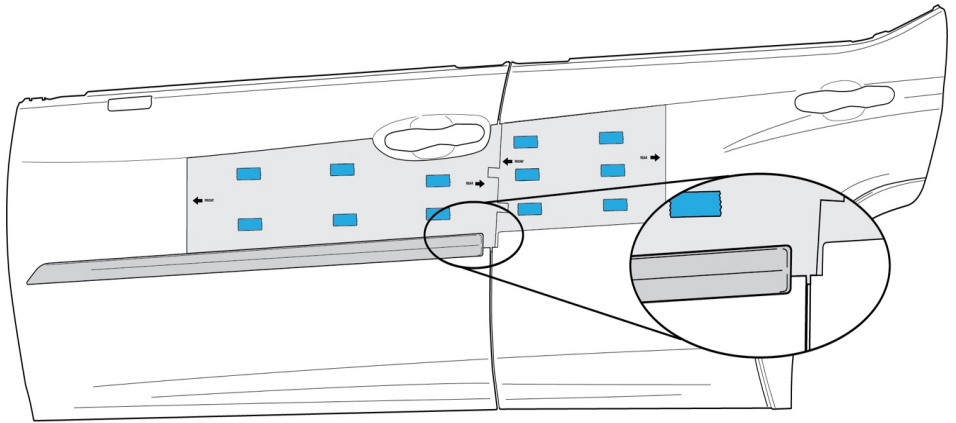
2a



NOTE: Each Segment of the Body Side Molding is labeled on the back side with designated door. For Example, the front drivers side will have LH Front or LH Rear.

Step 2: Installing the Body Side Molding

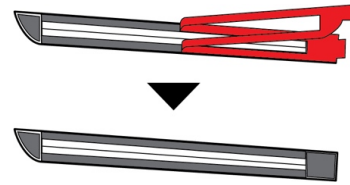
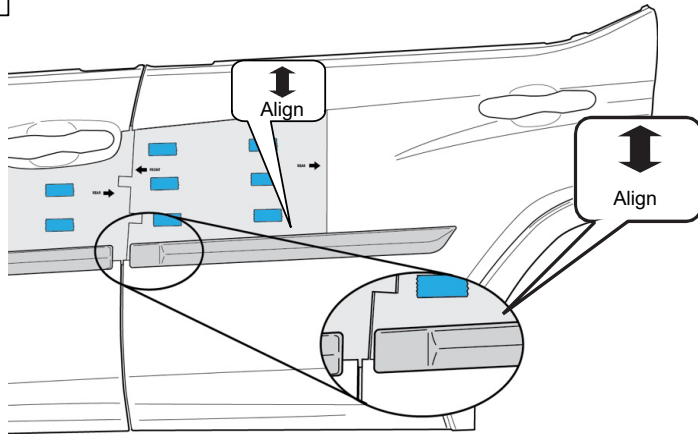
2b



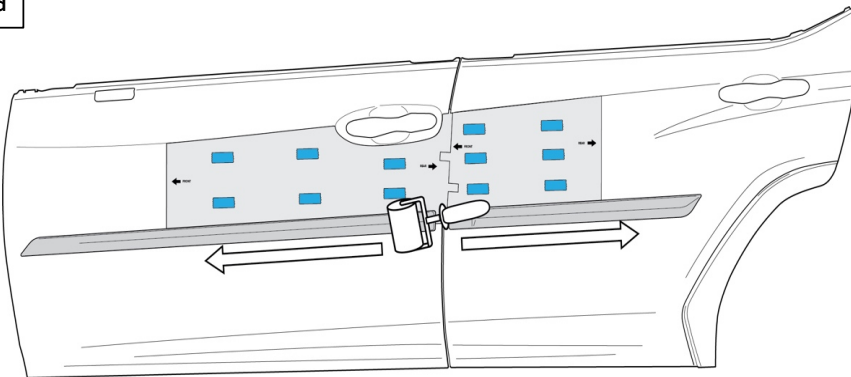
Starting with the Front Door (LH) Body Side Molding. Begin installation by removing tape liner from back side of the part as shown.
Caution: When removing the tape liner, do not let exposed tape contact or get contaminated with any foreign material, which could affect proper adhesion during the installation process.

Step 2 (continued): Installing the Body Side Molding

2c



2d

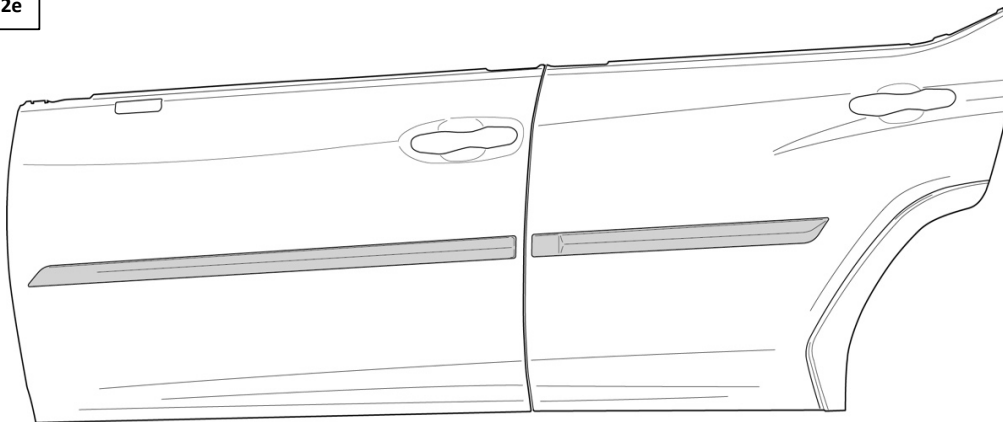


*****IMPORTANT*****
Ensure that the rubber roller is held perpendicular to the Body Side Molding for proper installation.



Once step 2b & 2c have been completed and verified, use the rubber roller to ensure the Body Side Molding is properly installed. Firmly (with 15 lbs / 6.8 kgs) roll the rubber roller across the part to properly set the Body Side Molding in place. Roll across the part from inner ends toward outer ends.

2e



*****IMPORTANT*****
Do not remove templates, and tape until the Body Side Molding is fully engaged.

*****IMPORTANT*****
The Templates are reversible for either side of the vehicle.



Once steps 2a through 2d are completed and verified, cautiously remove the paper templates from the doors, one at a time. To remove each template, slowly remove the painter's tape, being careful not to damage the template.