



SUBARU

SUBARU

PART NUMBER: J101SSJ201

INSTALLATION INSTRUCTIONS

DESCRIPTION: FORESTER Body Side Molding

PRE-INSTALLATION NOTES

NOTE: VEHICLE AND ALL INSTALLATION MATERIAL TEMPERATURES MUST BE 60°F (16°C) TO 86°F (31°C) BEFORE AND DURING INSTALLATION PROCESS.

NOTE: IF INSTALLING BODY SIDE MOLDING ALONG WITH DOOR EDGE GUARDS, THE BODY SIDE MOLDING MUST BE INSTALLED FIRST TO ALLOW PROPER ALIGNMENT OF THE INSTALLATION TEMPLATE.

KIT CONTENTS:

A.



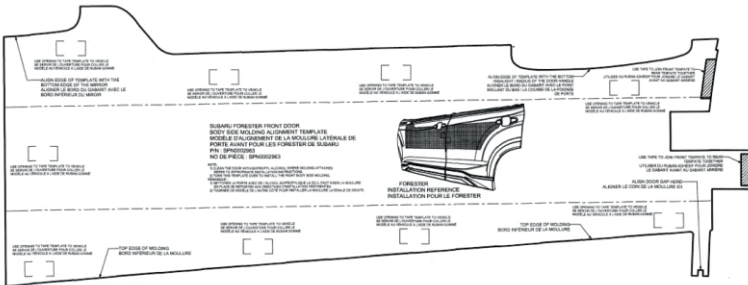
Body Side Molding 4 pcs.

B.

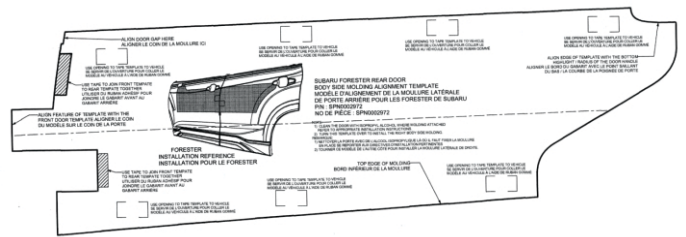


Alcohol Wipe x 4

C. Installation Template Front Door x 1



Installation Template Rear Door x 1



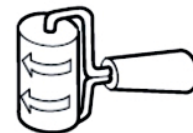
TOOLS REQUIRED:



Masking Tape



Wash Supplies



Rubber Roller

PART NUMBER:

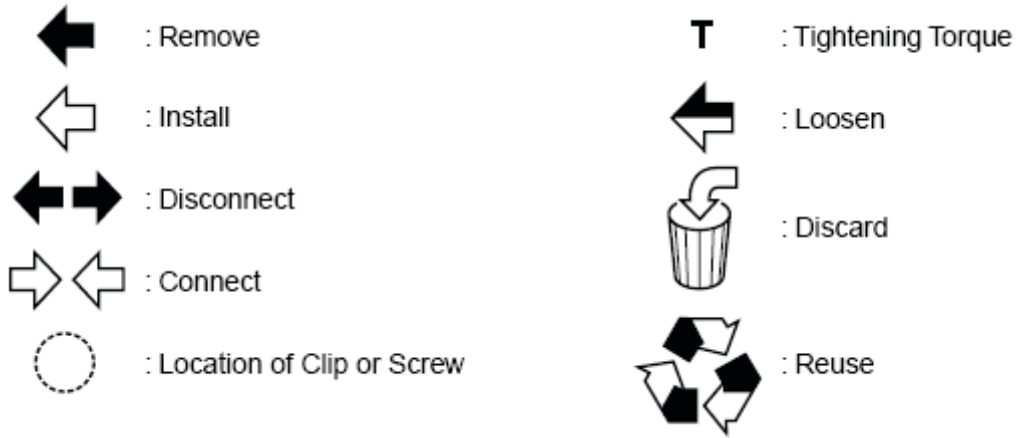
ISSUE:
REV-2

DATE:
1-15-21

SUBARU OF AMERICA

PAGE
1/4

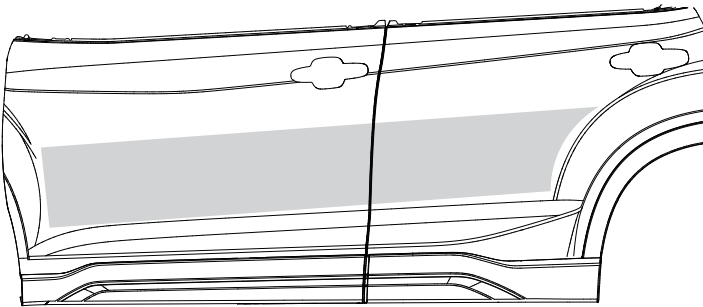
MEANING OF CHARACTERS:




Surface Preparation

1

Make sure that all shaded installation surfaces (shown below) are washed and free of dirt, grease, and debris. Next use the alcohol wipes included in the kit and then dry. Inspect vehicle for damage before installation of body side molding. Before beginning, vehicle and body side molding must be at room temperature. If the temperature is below 60F (21 C) or above 110F (43 C). Let vehicle sit indoors until the doors and body side molding are at room temperature.



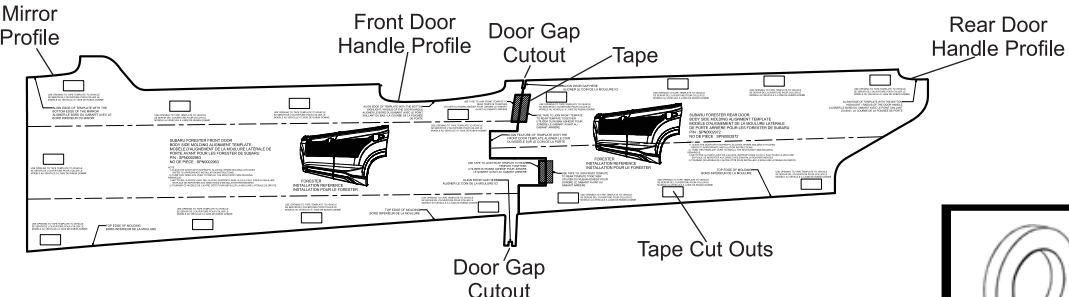
ALCOHOL
WIPE




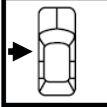
Body Side Molding Installation

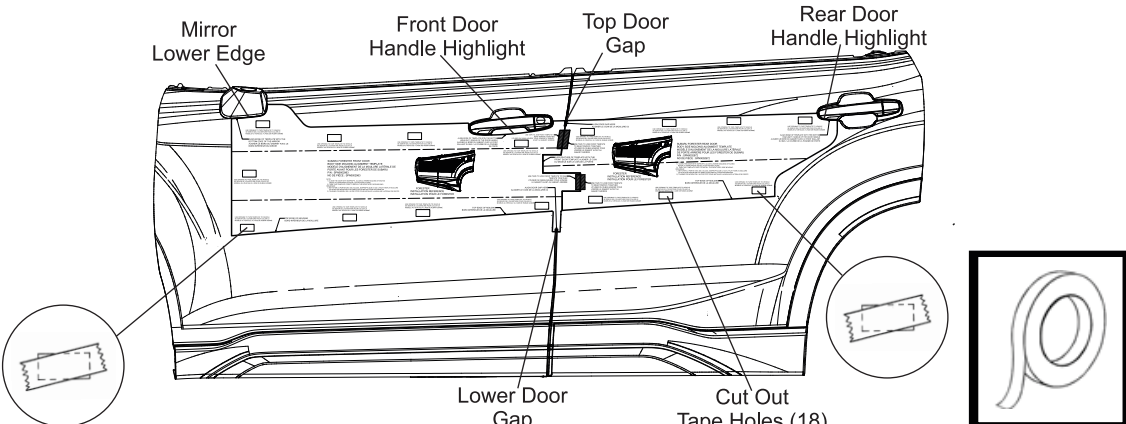
2

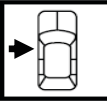
Position the front and rear body side moulding location templates together using locking profile as shown. Make sure templates are aligned then tape together at locking profile as shown.

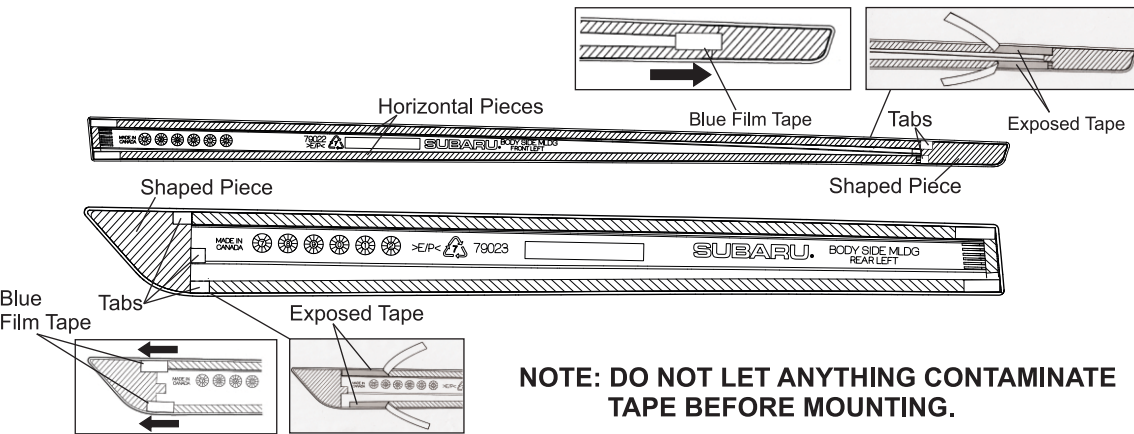




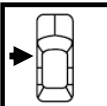
3  Position the assembled template and align the front upper corner to the bottom edge of the mirror and tape cut out hole, then align middle and back cut outs to bottom highlight / radius on door around the door handles (not directly against the handles). Make sure that bottom and top cut outs match to door gap then tape all cut outs.(18)

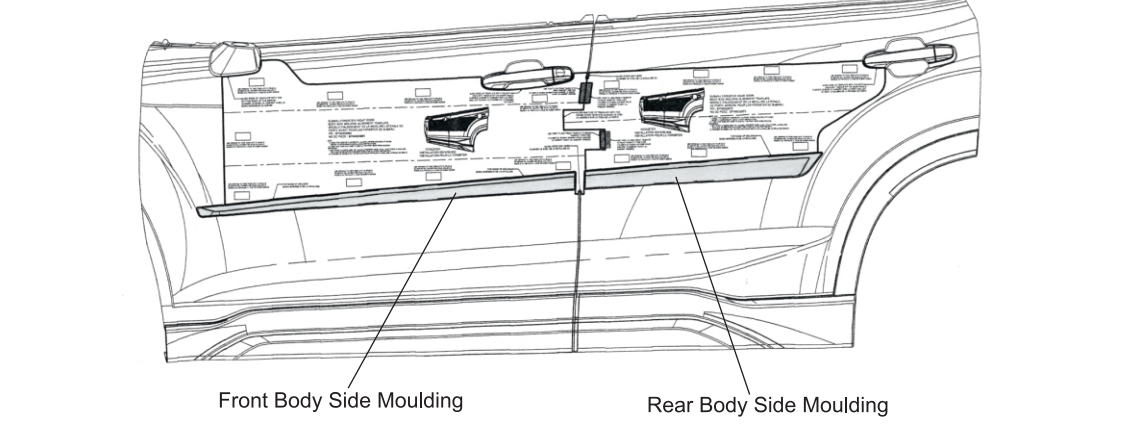


4  Remove blue film tape at shaped pieces first then remove tape liners from backside of body side mouldings, using tabs start with horizontal pieces first then shaped pieces, **DO NOT TOUCH EXPOSED TAPE.**

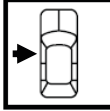


NOTE: DO NOT LET ANYTHING CONTAMINATE TAPE BEFORE MOUNTING.

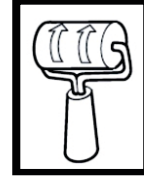
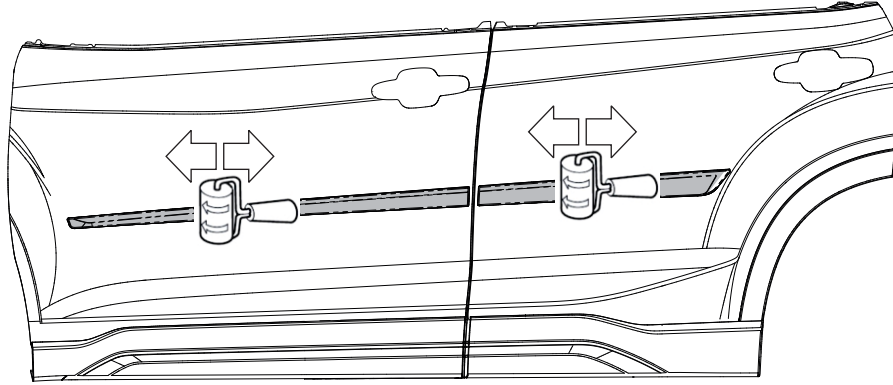
5  Place rear then front body side moulding into locations as shown and tack down along entire lengths of tape. Remove templates and reverse for other side of vehicle.



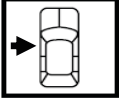
6



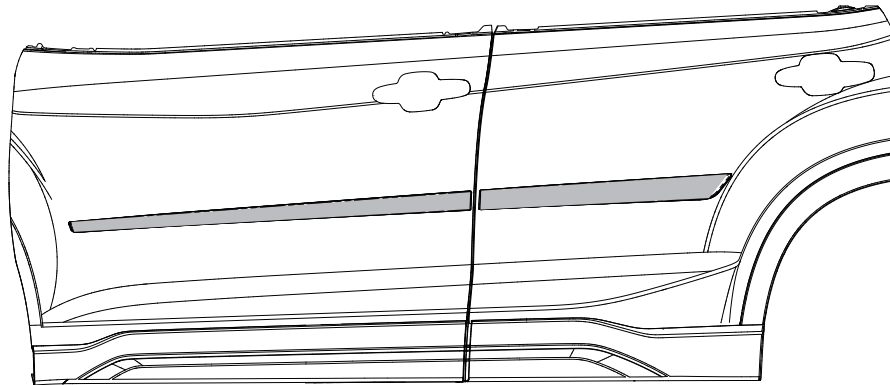
Using a rubber roller, apply firm, even pressure across the body side mouldings to adhere all pieces of tape to vehicle. Repeat procedure for the passenger side.



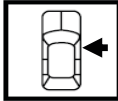
7



Installation is complete for driver side of vehicle.



8



Repeat steps 1 through 7 on passengers side of vehicle, using other side of paper template.