



SUBARU

PART NUMBER:
NUMÉRO DE PIÈCE :

J101SSJ000

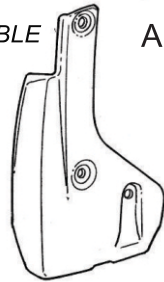
DESCRIPTION:
DESCRIPTION :

Forester Splash Guard Kit

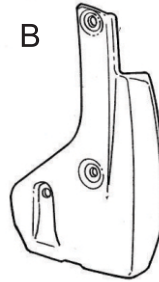
INSTALLATION INSTRUCTIONS
INSTRUCTIONS D'INSTALLATION

KIT CONTENTS:

CONTENU DE L'ENSEMBLE



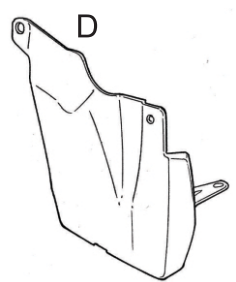
A



B



C

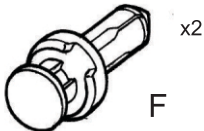


D



x4

E



x2

F



x8

G



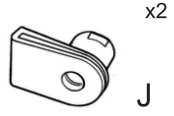
x4

H



x2

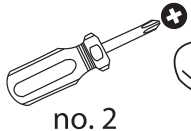
I



x2

J

TOOLS REQUIRED
OUTILS REQUIS



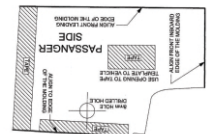
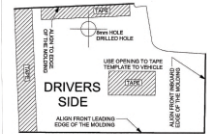
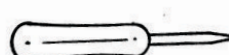
no. 2



• 5/16 or 8mm



8mm



MEANING OF CHARACTERS:
SIGNIFICATION DES SYMBOLES :



Remove
Enlever



Install
Installer

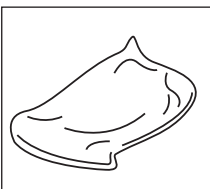
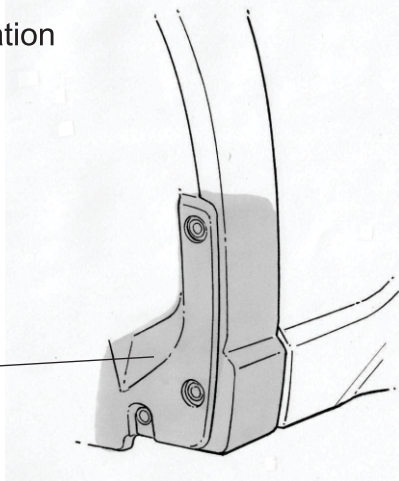


Re use
Réutiliser

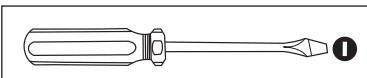
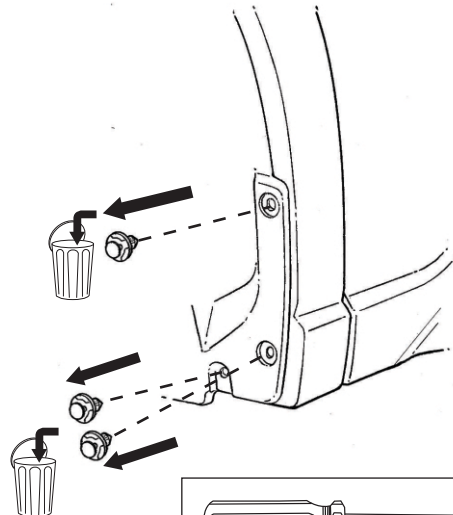


Discard
Jeter/recycler

1 Front Installation



2



ISSUE
ÉDITION
01

DATE
May, 4, 2018

SUBARU OF AMERICA

PAGE
1/3

3

Install clip over metal panel

J

H

4

NOTE: CUT TEMPLATE OUT OF SHEET

5

6

Drill hole at center punch mark

Use 5/16 or 8mm Drill Bit

Use tape as a drill stop 3/4" or 19mm

7

B

E

8

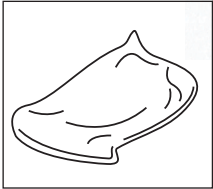
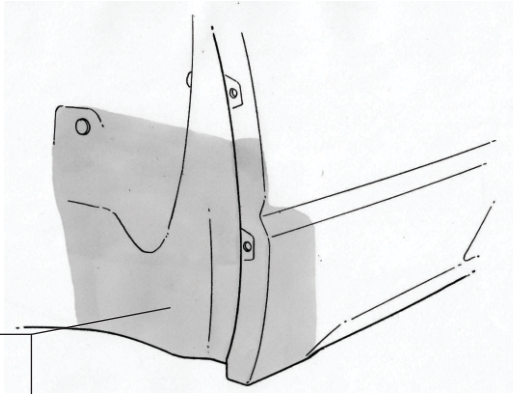
G

B

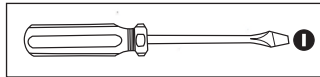
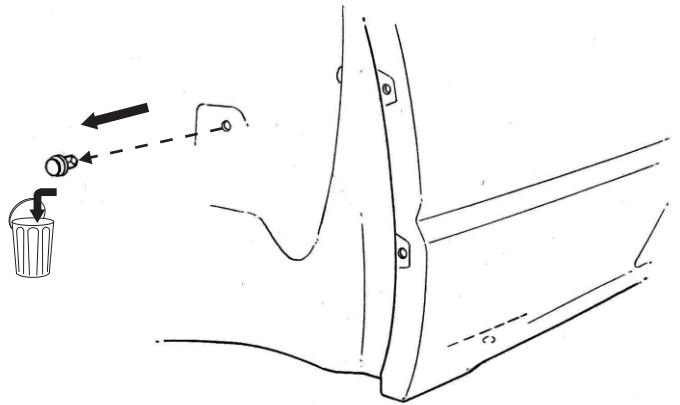
PUSH UP & IN WHILE TIGHTENING

Screw Torque:
1.0 - 1.5 Nm (9~13 in-lb)

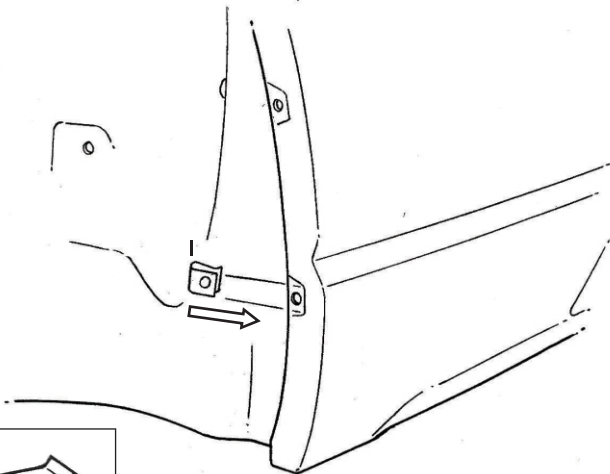
9 Rear Installation



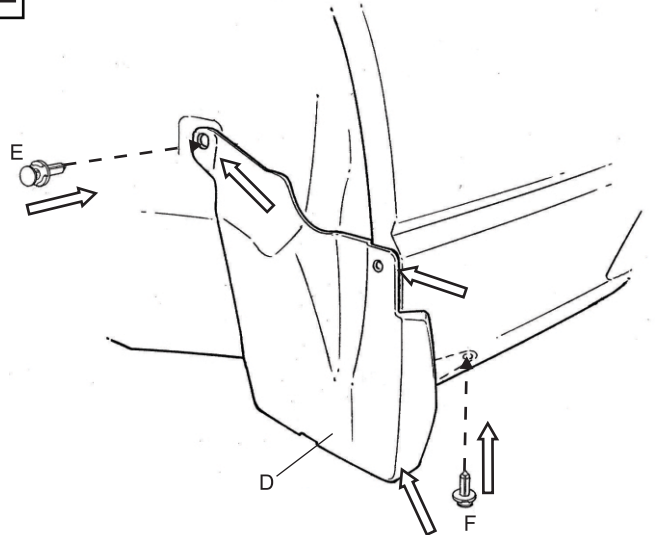
10



11

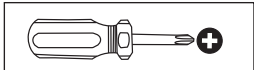
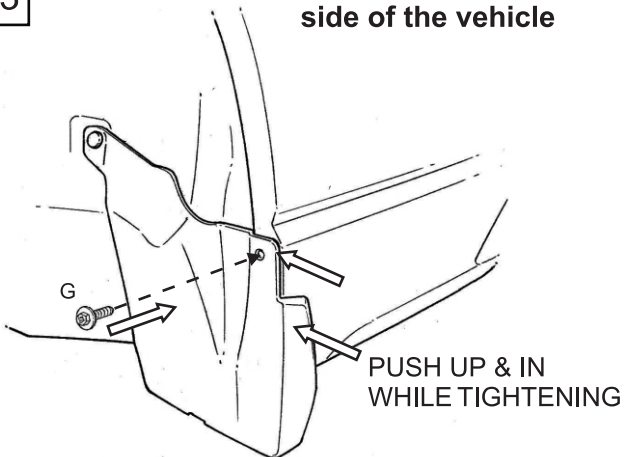


12



13

• Repeat steps for the other side of the vehicle



Screw Torque:
1.0 - 1.5 Nm (9~13 in-lb)