



SUBARU

SUBARU

PART NUMBER: J101SFN960

**INSTALLATION
INSTRUCTIONS**

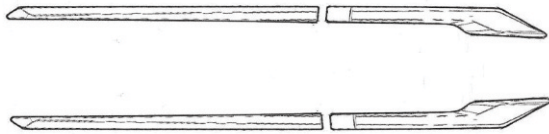
DESCRIPTION: CROSTREK WILDERNESS Door Cladding

PRE-INSTALLATION NOTES

- NOTE:** VEHICLE AND ALL INSTALLATION MATERIAL TEMPERATURES MUST BE 60°F (16°C) TO 86°F (31°C) BEFORE AND DURING INSTALLATION PROCESS.
- NOTE:** IF INSTALLING DOOR CLADDING ALONG WITH DOOR EDGE GUARDS, THE DOOR CLADDING MUST BE INSTALLED FIRST TO ALLOW PROPER ALIGNMENT OF THE INSTALLATION TEMPLATE.

KIT CONTENTS:

A.



Door Cladding 4 pcs.

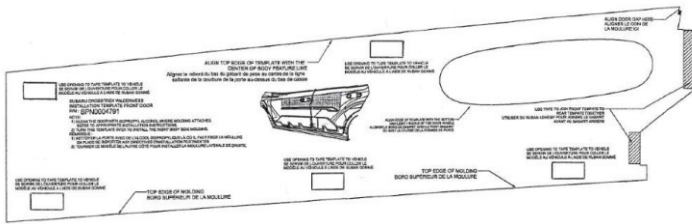
B.



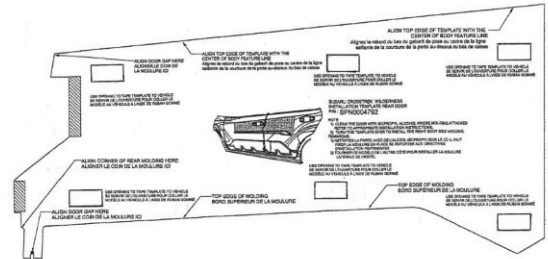
Alcohol Wipe x 4

C.

Installation Template Front Door x 1



Installation Template Rear Door x 1



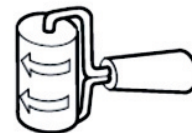
TOOLS REQUIRED:



Masking Tape











Wash Supplies



Rubber Roller

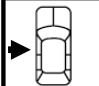
MEANING OF CHARACTERS:

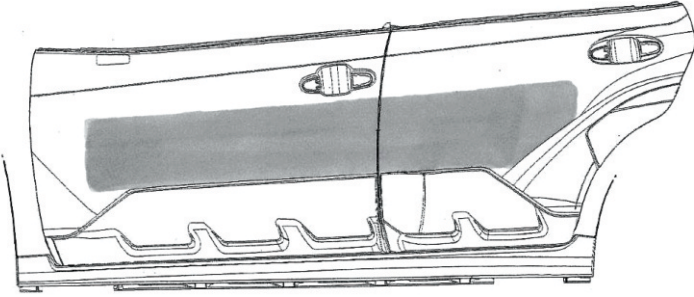
-  : Remove
-  : Install
-  : Disconnect
-  : Connect
-  : Location of Clip or Screw
- T** : Tightening Torque
-  : Loosen
-  : Discard
-  : Reuse


Surface Preparation


1

Make sure that all shaded installation surfaces (shown below) are washed and free of dirt, grease, and debris. Next use the alcohol wipes included in the kit and then dry. Inspect vehicle for damage before installation of door cladding. Before beginning, vehicle and door cladding must be at room temperature. If the temperature is below 60F (21°C) or above 110F (43°C). Let vehicle sit indoors until the doors and door cladding are at room temperature.





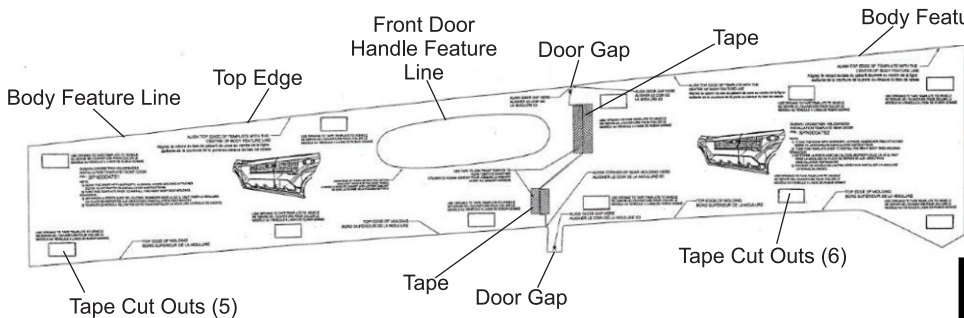





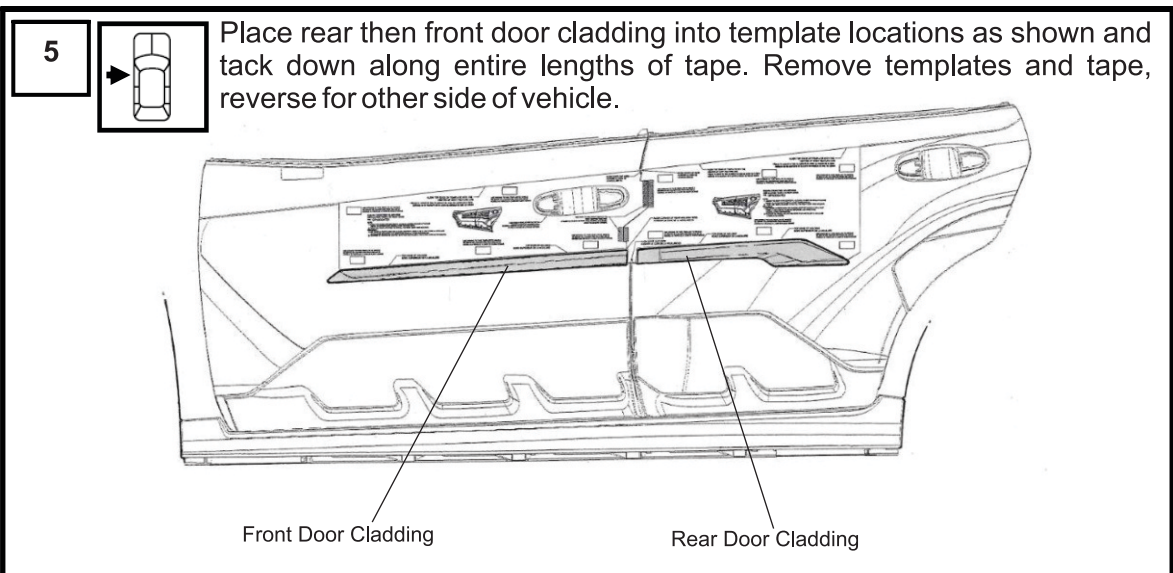
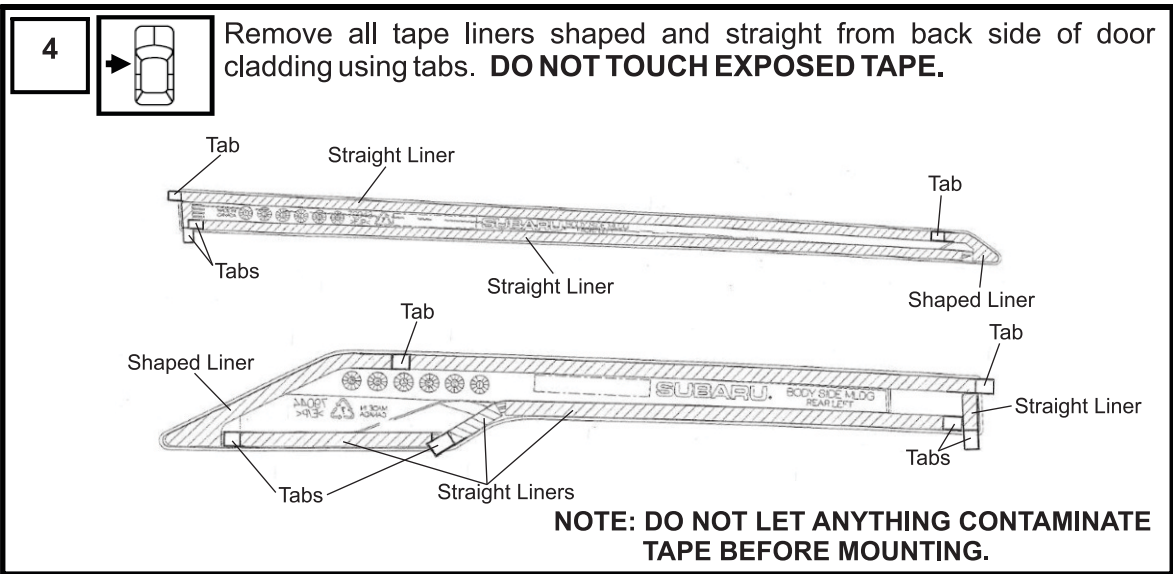
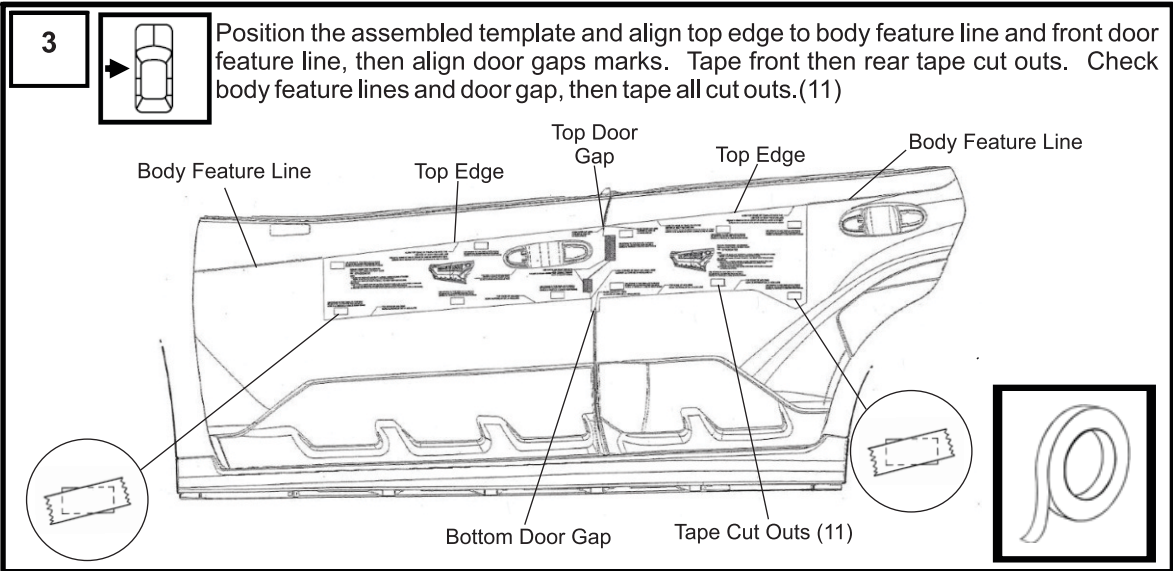
Door Cladding Installation

2

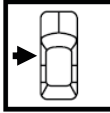
Position the front and rear door cladding location templates together using locking profile as shown. Make sure templates are aligned then tape together at locking profile as shown.



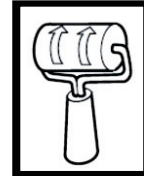
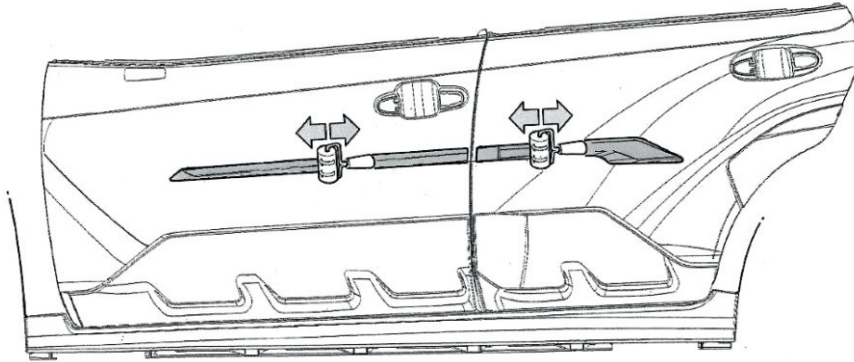




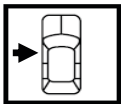
6



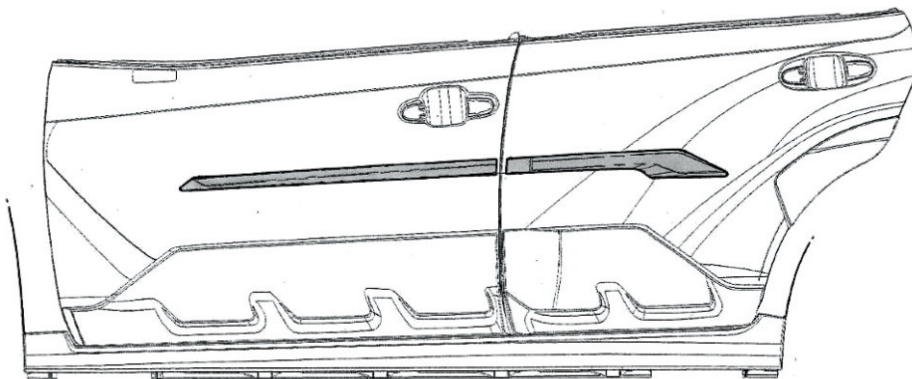
Using a rubber roller, apply firm, even pressure across the door cladding to adhere all pieces of tape to vehicle. Repeat procedure for the passenger side.



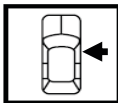
7



Installation is complete for driver side of vehicle.



8



Repeat steps 1 through 7 on passengers side of vehicle, using other side of paper template.