



SUBARU

PART NUMBER:
NUMÉRO DE PIÈCE :

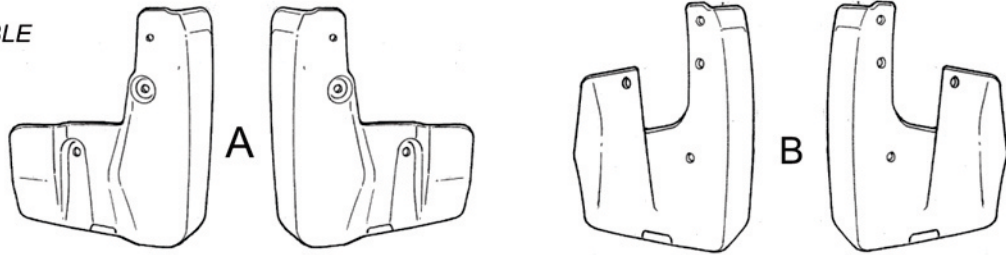
J101SAL350

DESCRIPTION:
DESCRIPTION :

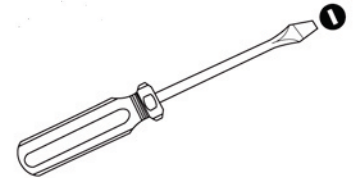
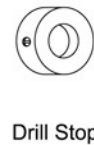
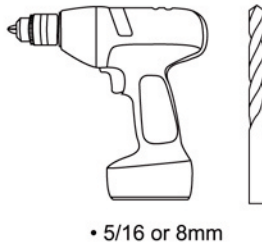
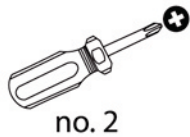
Outback Splash Guard Kit

INSTALLATION INSTRUCTIONS
INSTRUCTIONS D'INSTALLATION

KIT CONTENTS:
CONTENU DE L'ENSEMBLE



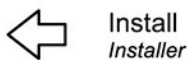
TOOLS REQUIRED
OUTILS REQUIS



MEANING OF CHARACTERS:
SIGNIFICATION DES SYMBOLES :



Remove
Enlever



Install
Installer

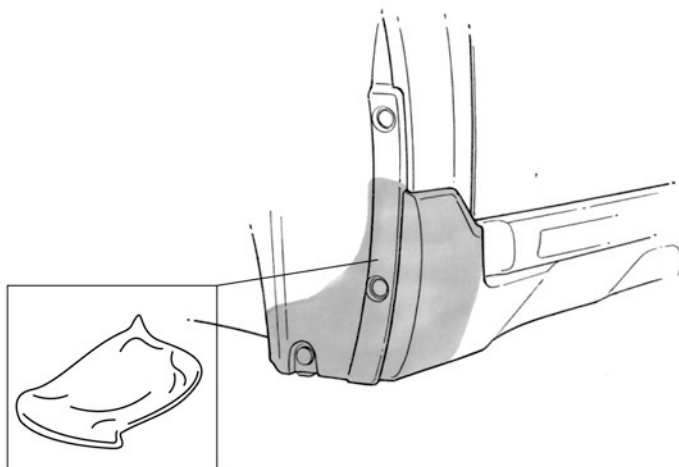


Re use
Réutiliser

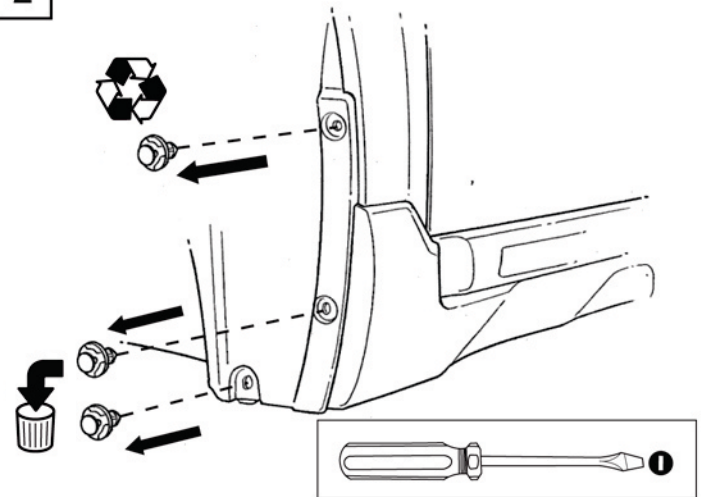


Discard
Jeter/recycler

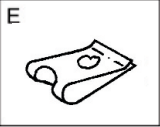
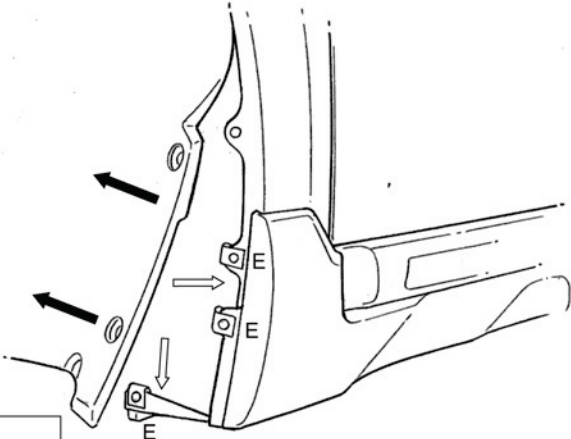
1 Front Installation



2

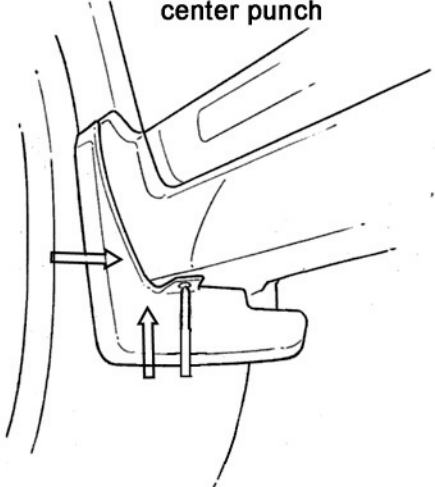


3



4

Mark hole location with center punch



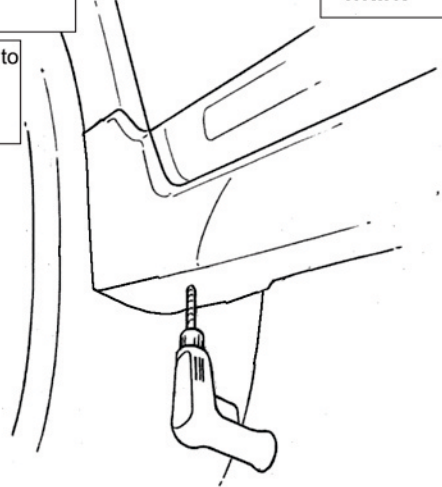
Firmly press splash guard onto vehicle to ensure no gaps during installation

5

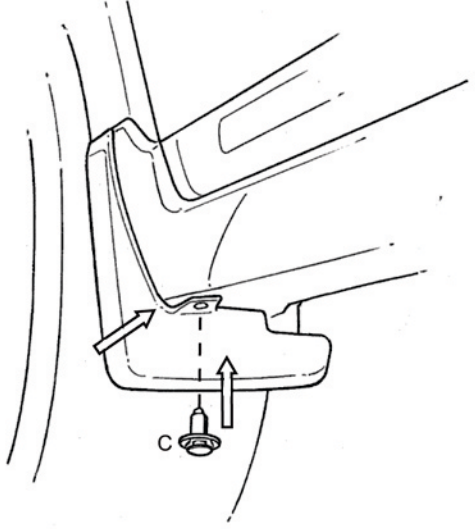
Drill hole at center punch mark

Use 5/16 or 8mm Drill Bit

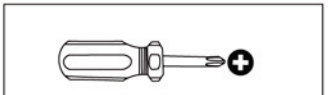
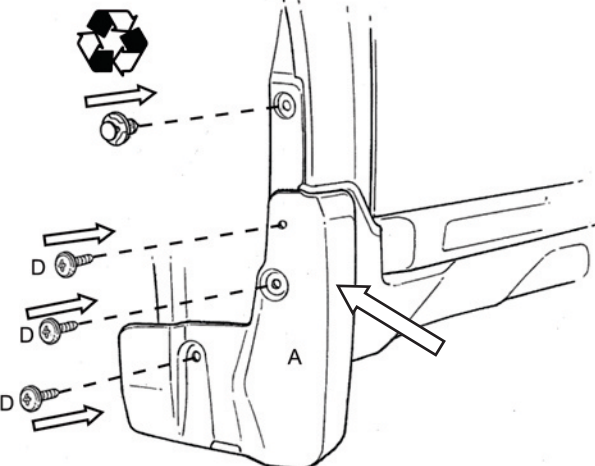
Set Drill Stop to 3/4 or 19mm



6



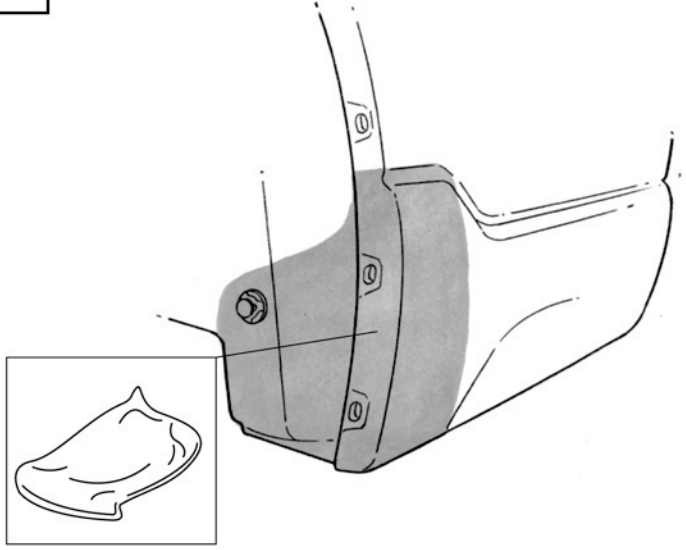
7



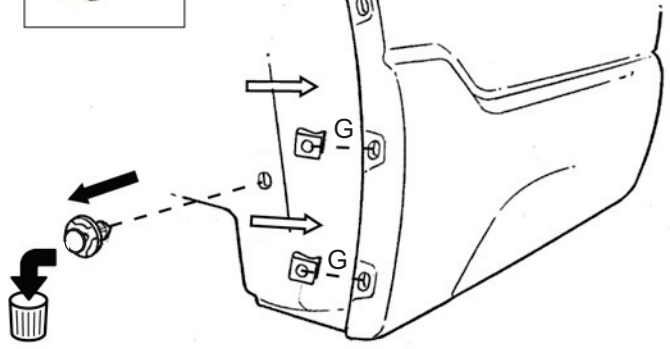
Screw Torque:
1.0 - 1.5 Nm (9-13 in-lbs)

8

Rear Installation

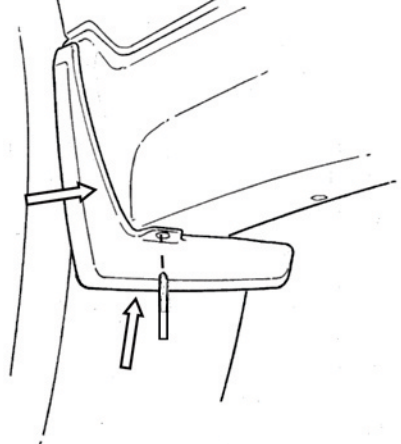


9



10

Firmly press splash guard onto vehicle to ensure no gaps during installation

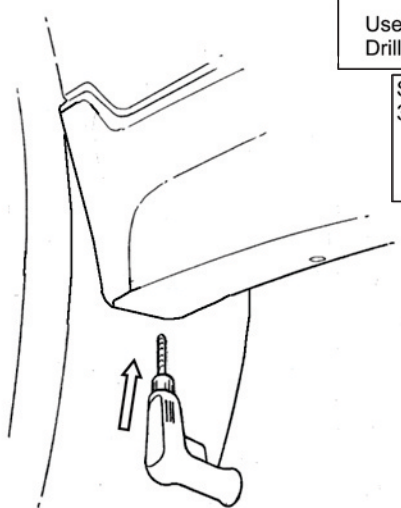


Mark hole location with center punch

11

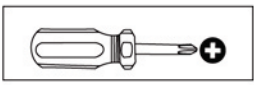
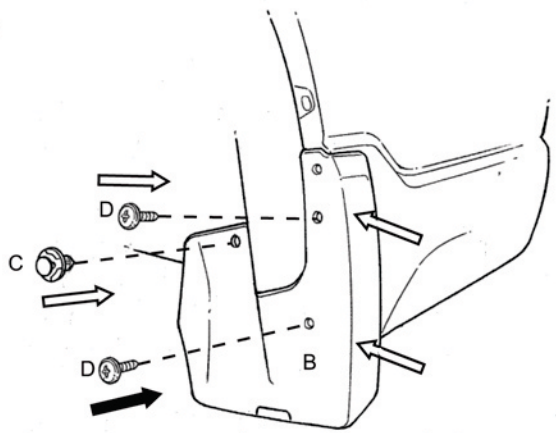
Use 5/16 or 8mm Drill Bit

Set Drill Stop to 3/4 or 19mm



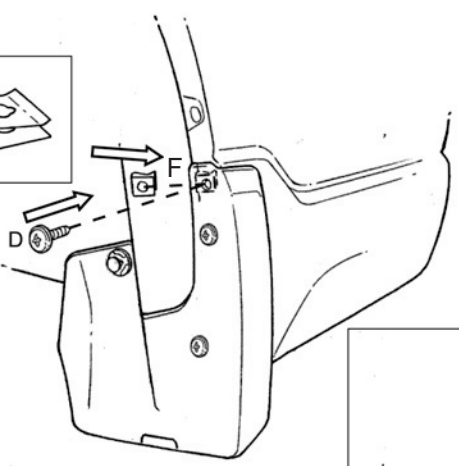
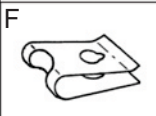
Drill hole at center punch mark

12

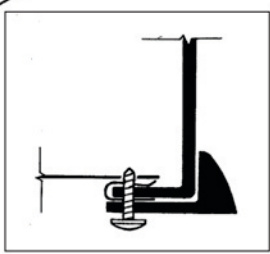


Screw Torque:
1.0 - 1.5 Nm (9-13 in-lbs)

13



Screw Torque:
1.0 - 1.5 Nm (9-13 in-lbs)



14

