



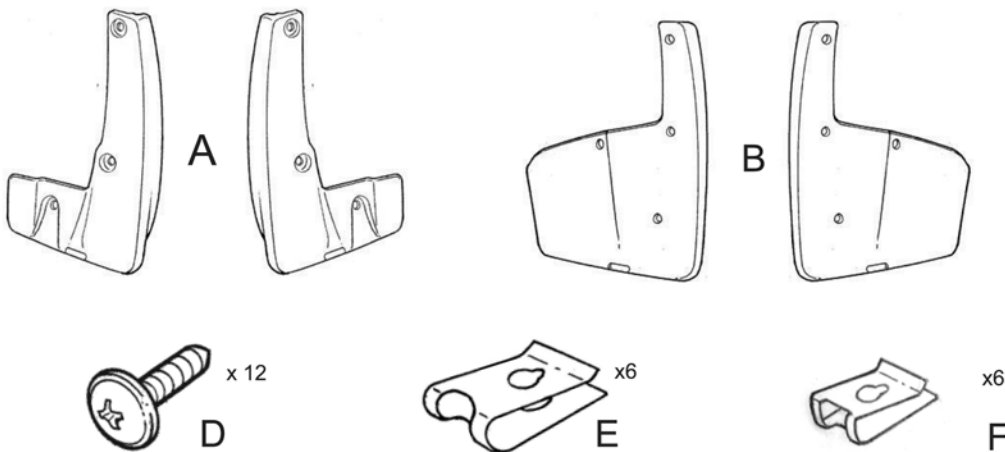
SUBARU

PART NUMBER: J101SAL200/300/330/340
NUMÉRO DE PIÈCE :

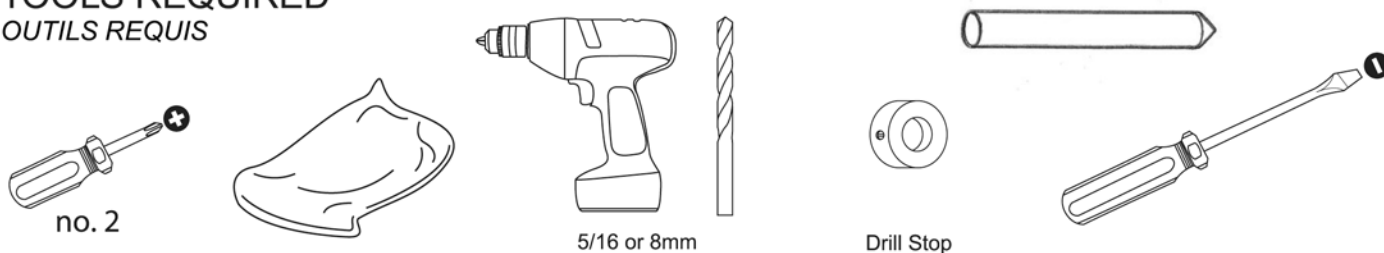
DESCRIPTION: Legacy/Legacy Sport Splash Guard Kit
DESCRIPTION :

INSTALLATION INSTRUCTIONS INSTRUCTIONS D'INSTALLATION

KIT CONTENTS: CONTENU DE L'ENSEMBLE



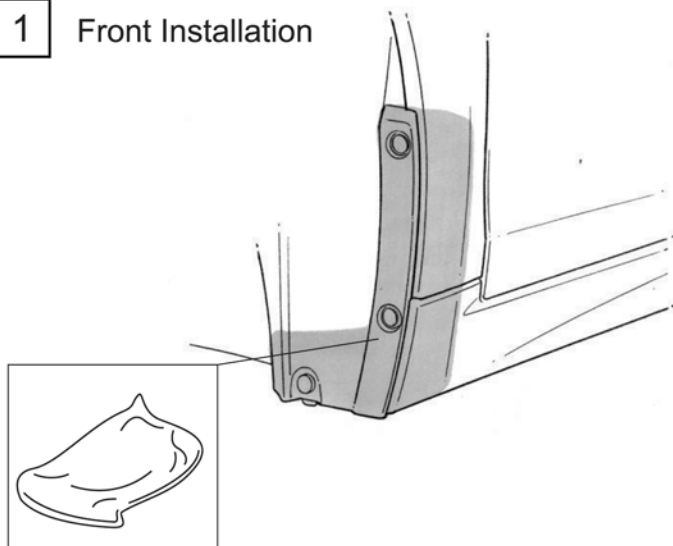
TOOLS REQUIRED OUTILS REQUIS



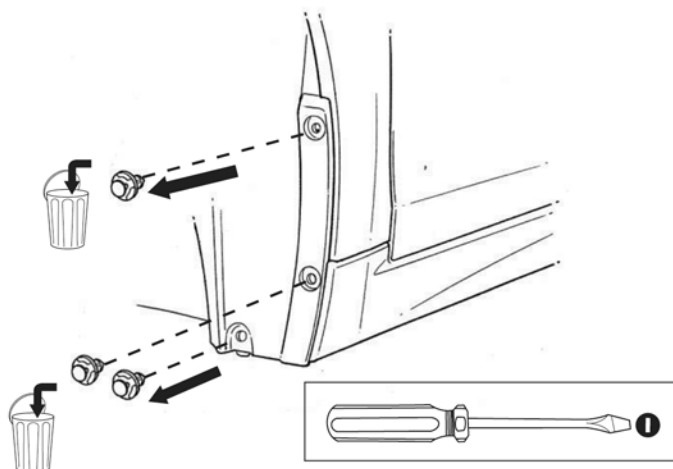
MEANING OF CHARACTERS: SIGNIFICATION DES SYMBOLES :



1 Front Installation



2

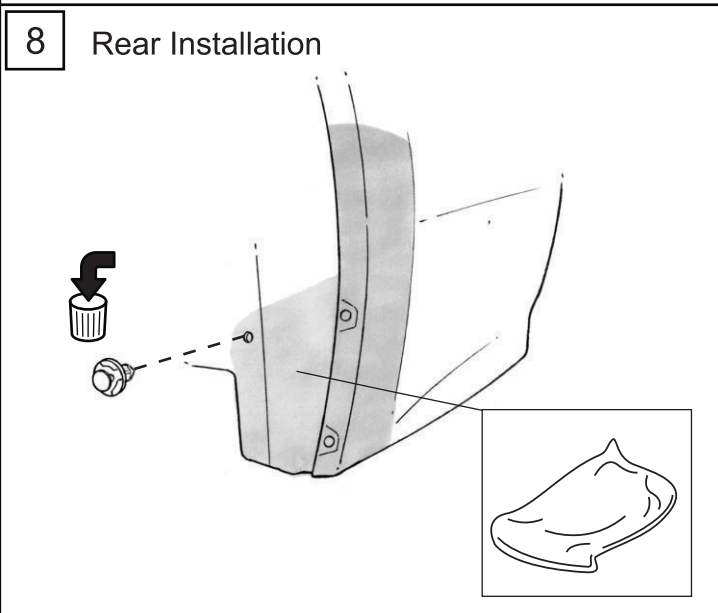
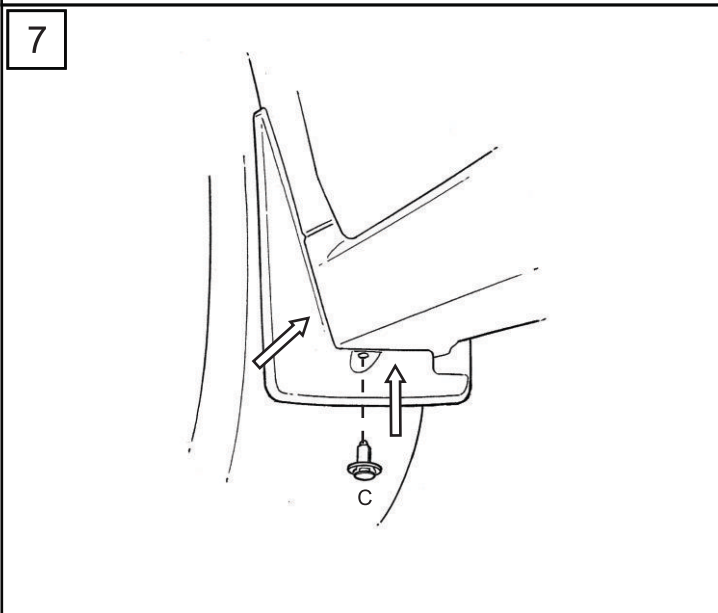
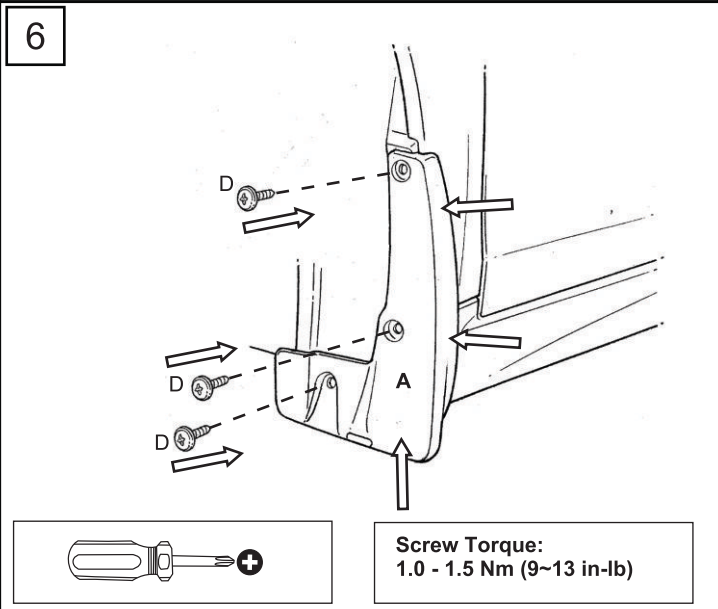
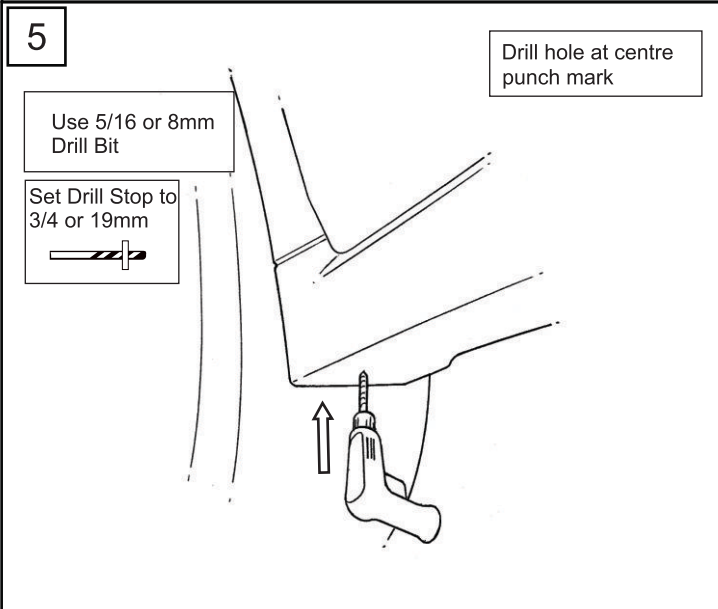
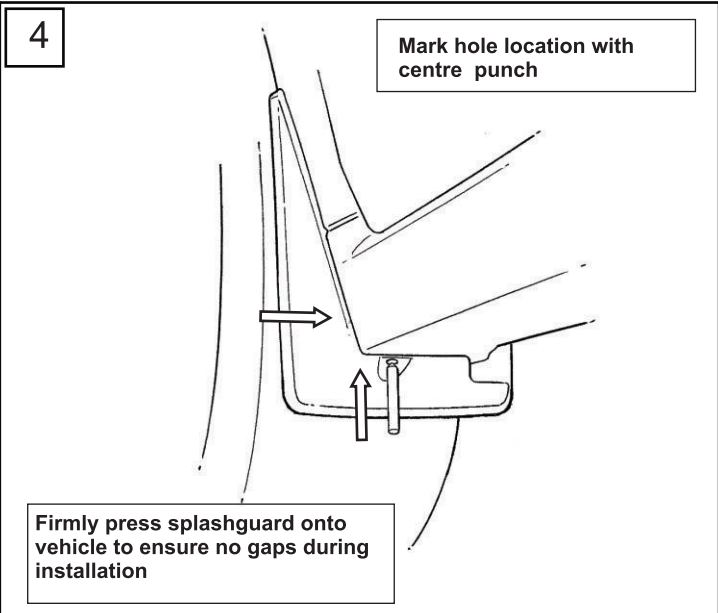
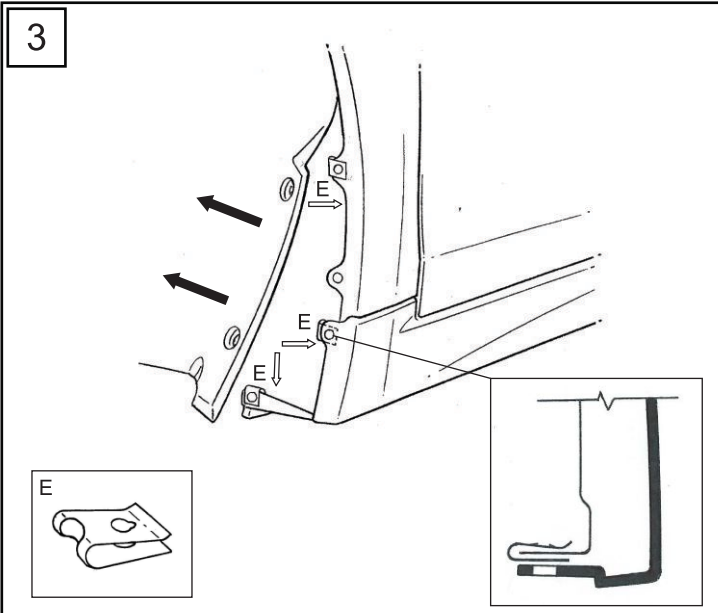


ISSUE
ÉDITION
02

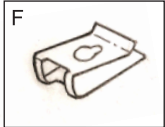
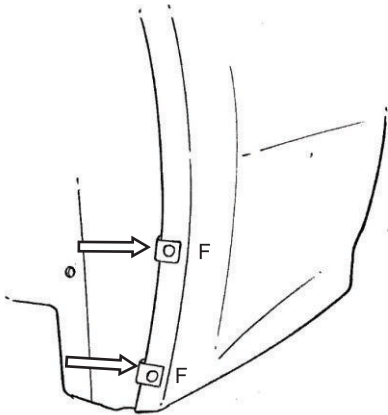
DATE
February 10th, 2016

SUBARU OF AMERICA

PAGE
1/4

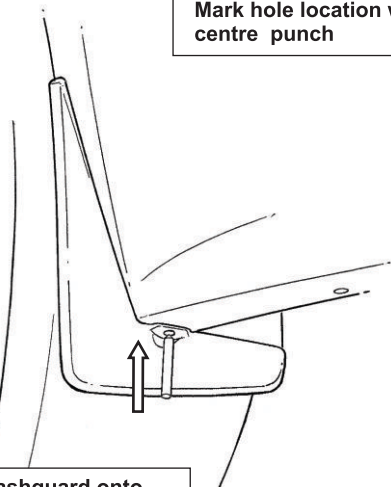


9



10

Mark hole location with centre punch



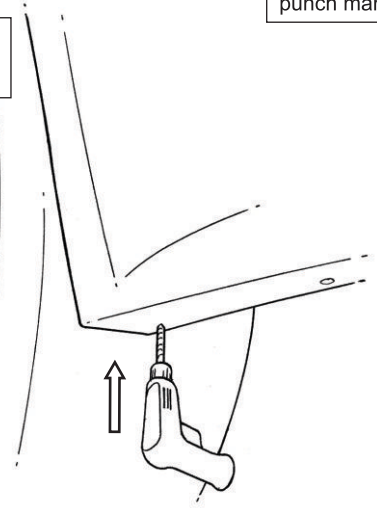
Firmly press splashguard onto vehicle to ensure no gaps during installation

11

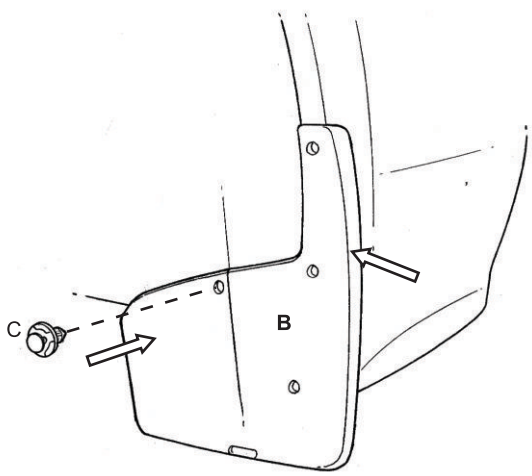
Drill hole at centre punch mark

Use 5/16 or 8mm Drill Bit

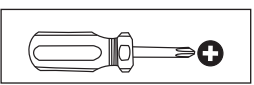
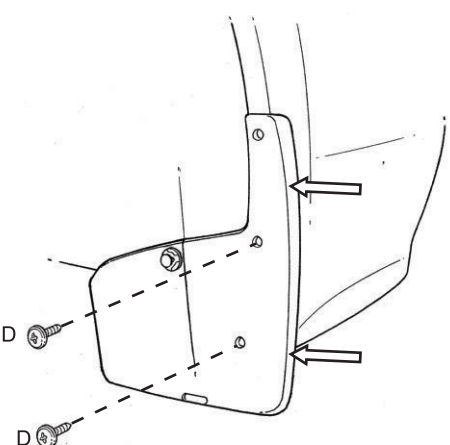
Set Drill Stop to 3/4 or 19mm



12

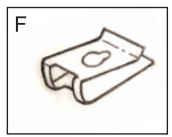
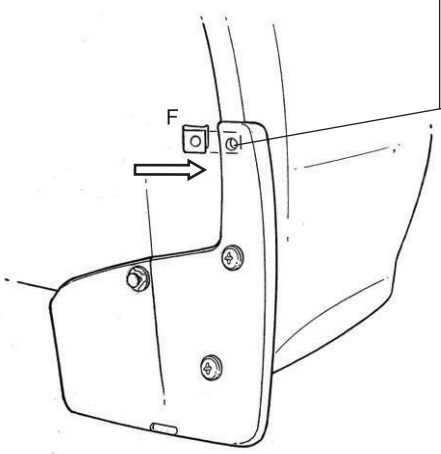


13

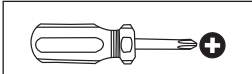
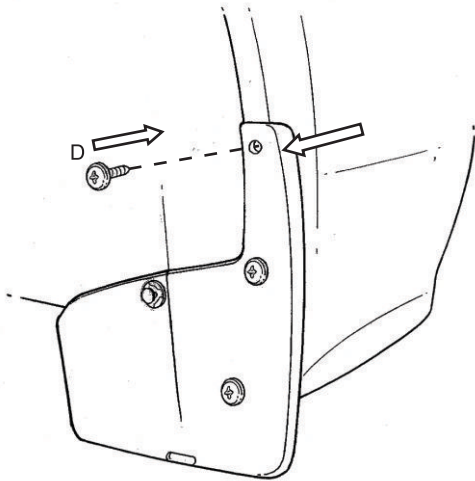


Screw Torque:
1.0 - 1.5 Nm (9~13 in-lb)

14

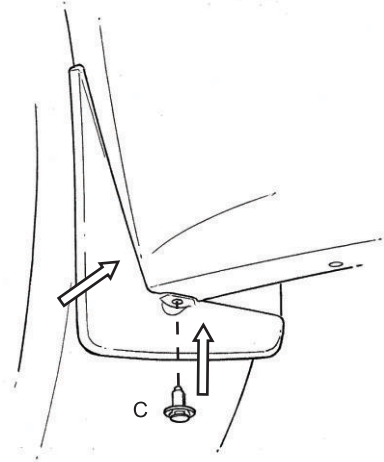


15



Screw Torque:
1.0 - 1.5 Nm (9~13 in-lb)

16



17

- Repeat steps for the other side of the vehicle