



Aero splash guard

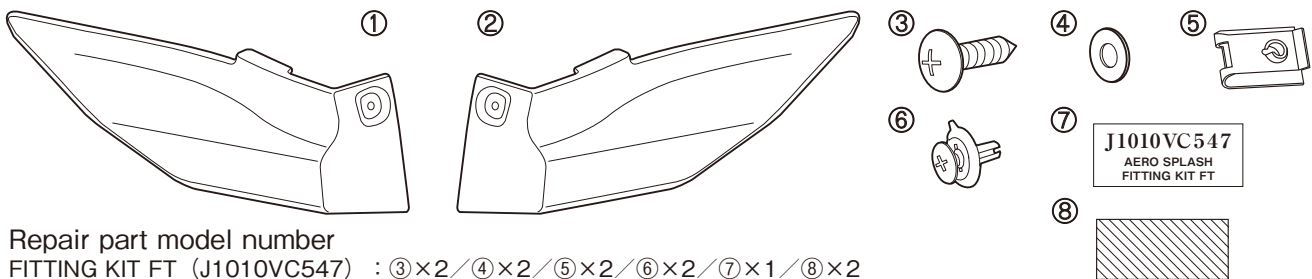
Installation Manual

Genuine Part Number: J1010VC540

Applicable Model: WRX 2022MY~

Components Front aero splash guard : J1010VC541

No.	Part Description	Quantity	No.	Part Description	Quantity
①	Front aero splash guard RH	1	⑤	Speed nut	2
②	Front aero splash guard LH	1	⑥	Resin clip (small with a cross head)	2
③	Tapping screw	2	⑦	LABEL	1
④	Washer (small)	2	⑧	Protection film	2

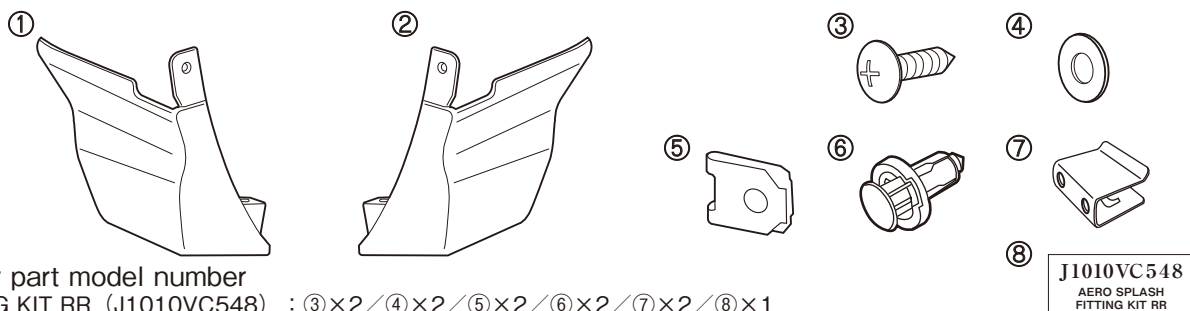


Repair part model number

FITTING KIT FT (J1010VC547) : ③×2/④×2/⑤×2/⑥×2/⑦×1/⑧×2

Components Rear aero splash guard : J1010VC544

No.	Part Description	Quantity	No.	Part Description	Quantity
①	Rear aero splash guard RH	1	⑤	Speed nut	2
②	Rear aero splash guard LH	1	⑥	Resin clip	2
③	Tapping screw	2	⑦	Metal clip	2
④	Washer	2	⑧	LABEL	1



Repair part model number

FITTING KIT RR (J1010VC548) : ③×2/④×2/⑤×2/⑥×2/⑦×2/⑧×1

Tools

Waste cloth, neutral detergent or cleaning detergent [IPA (isopropyl alcohol) or nonane], masking tape, clip remover, flathead screwdriver, Phillips screwdriver

Request

Please check the installation manual of each parts kit for installation method.

Revised contents

△	Details of the work	date
00	Newly created document	2022.08.10



Front aero splash guard

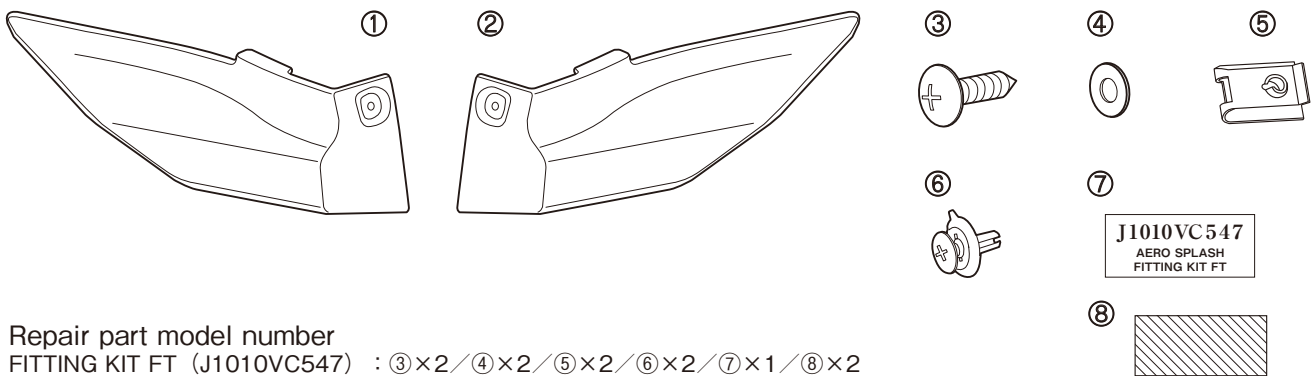
Installation Manual

Genuine Part Number: J1010VC541

Applicable Model: WRX 2022MY~

Components

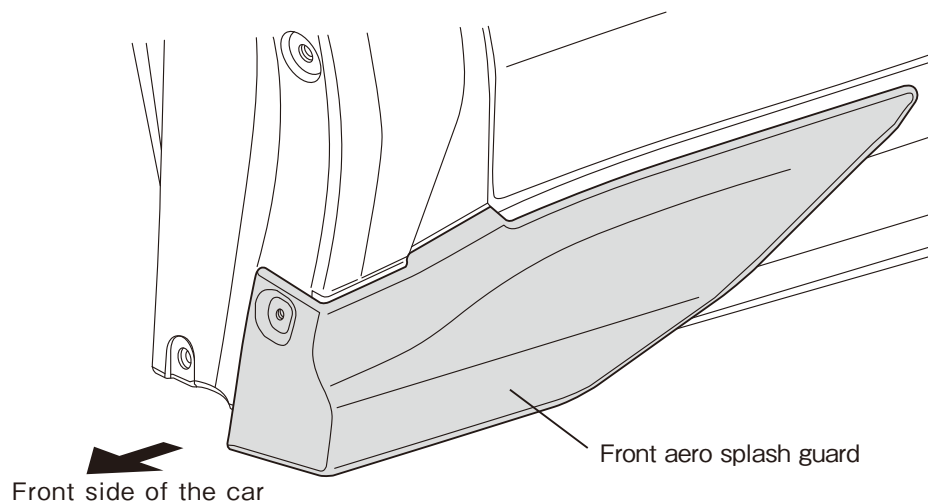
No.	Part Description	Quantity	No.	Part Description	Quantity
①	Front aero splash guard RH	1	⑤	Speed nut	2
②	Front aero splash guard LH	1	⑥	Resin clip (small with a cross head)	2
③	Tapping screw	2	⑦	LABEL	1
④	Washer (small)	2	⑧	Protection film	2



Tools

Waste cloth, neutral detergent or cleaning detergent [IPA (isopropyl alcohol) or nonane], masking tape, clip remover, flathead screwdriver, Phillips screwdriver

Completed installation drawing



※The completed drawing shows the left side of the car.

Front aero splash guard

This manual describes how to install the front aero splash guards.

Request

Before installing this product, please ensure to read this manual and carry out proper installation.

Precautions

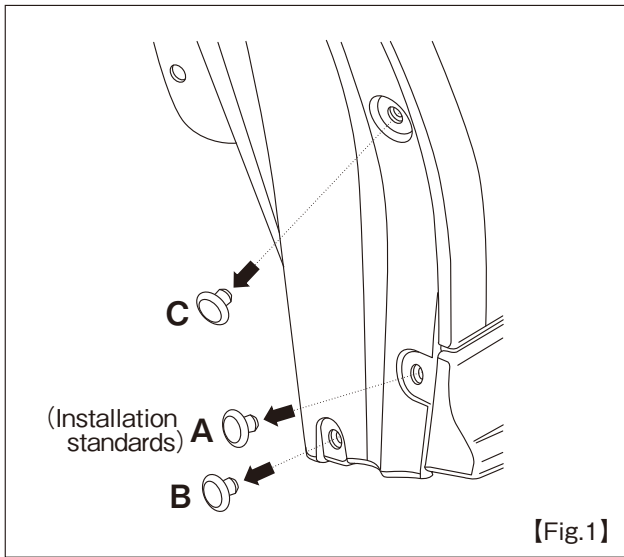
1. When installing this product, park the car on a level surface, securely apply the parking brake, and turn the steering wheel fully to the left before carrying out the work.
2. Before the installation, use a neutral detergent (or cleaning detergent) and waste cloth to remove any dirt adhering to the car's surface where the aero splash guard will be attached, and then dry the surface thoroughly. Moreover, if sand or mud adheres to the back of the clip insertion holes, etc., then clean the contaminated sections.
3. Install the aero splash guards before applying body coating. When installing them on a car that has been coated, remove the coating from the area where double-sided tape is to be applied before installation.
4. During the installation work, pay careful attention not to damage the car with tools, etc.
5. This manual describes how to install the product on the left side. Installation on the right side is symmetrical to that on the left side. Check the shape of the components to be installed before carrying out the work.
6. When the air temperature is 15° C or lower, use a hair dryer to warm up this product and the car surface where double-sided tape is to be applied to approx. 30° C to 50° C. Avoid using an industrial dryer.
7. Double-sided tape does not adhere unless it is adequately pressed. The adhesive strength of double-sided tape significantly decreases when the tape is reapplied. Position the tape properly before applying it to avoid the need for reapplication.
8. The adhesive strength of the double-sided tape gradually increases after it is applied. Avoid washing the car within 24 hours after installation. If the car needs to be washed or waxed on the day of the installation, leave it for at least one hour and use tape, etc. to cover the areas where double-sided tape is applied. Also be careful not to apply excessive force to the aero splash guards.
9. When blowing air after installing the product, keep the discharge port at least 300 mm away. If it is too close, it may cause the product to peel.
10. When a car has undergone a body coating treatment including glass coating, this product cannot exhibit its original adhesive performance.
Please confirm whether or not a body coating treatment is applied to the car.
Moreover, ensure to remove dirt, oils and fats, etc. adhering to the surface on which the product is to be attached, and also use sufficient pressure to attach it to the car.

<<How to remove a body coating film and confirm the removal>>

- Use a fine-grained compound agent (so as not to affect the car's paint) to rub the coating film off the area on which the product is to be attached.
- After polishing the area, spray water on it. You can confirm that the coating film has been removed when there is no repelling of water on the area.

Installation guidelines

This drawing shows how to install the product on the LH side.



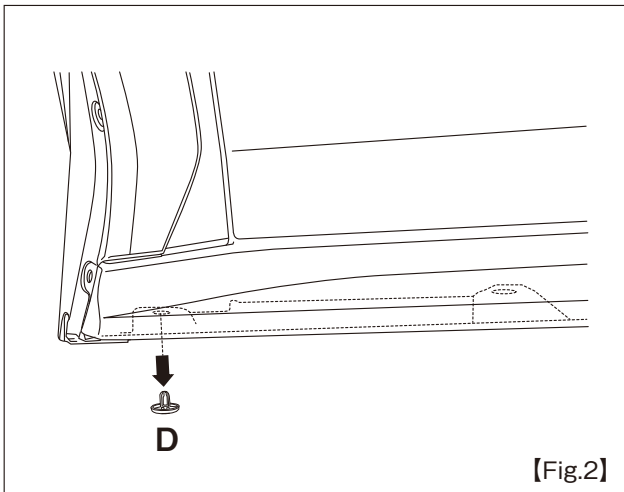
1. Preparation work

Park the car on a level surface and securely apply the parking brake to ensure safe and reliable work.

(1) Remove car clips A, B, and C of the car. [Fig.1]

⚠ Caution

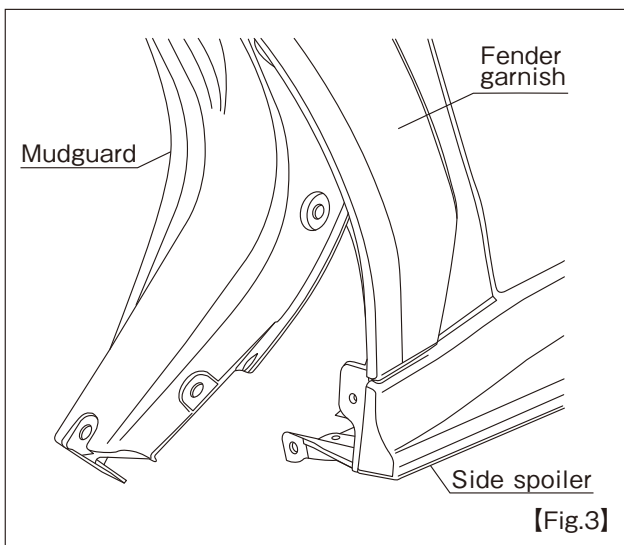
Car clips B and C will be reused.



(2) Remove the car clip from part D. [Fig.2]

⚠ Caution

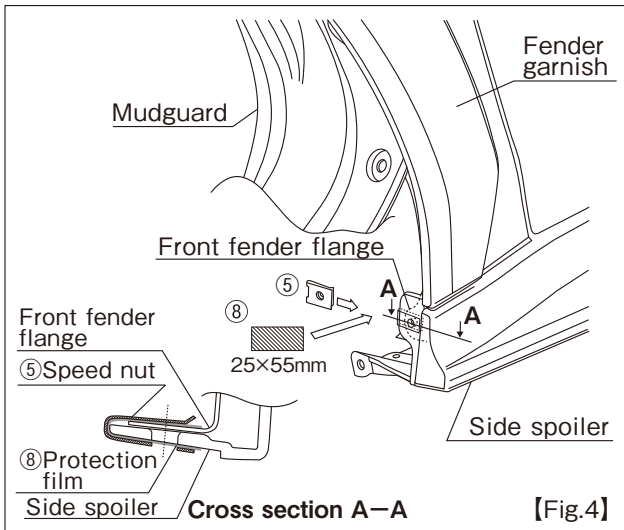
The removed car clip will not be used.



(3) Lift up the car mudguard. [Fig.3]

⚠ Caution

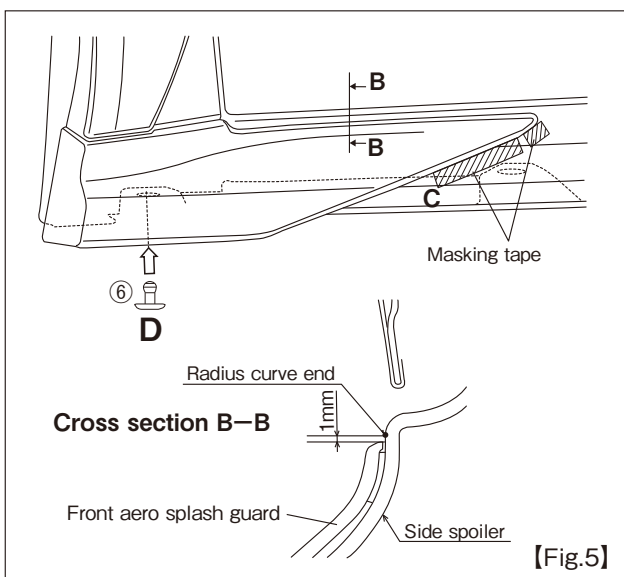
For the removal/restoration of mudguards, refer to the car service manual and be careful not to damage any car components.



- (4) Attach a protection film (8) to the flanges of the front fender and side spoiler. Then insert the speed nut (5) onto the protection film. Refer the Sec A-A [Fig4]

Caution
Attach the center of the protection film to the end of the flange.

After completing the insertion of speed nut (5), return the car mudguard back to its original position and reattach the car clips to parts B and C.



- (5) Position the front aero splash guard.

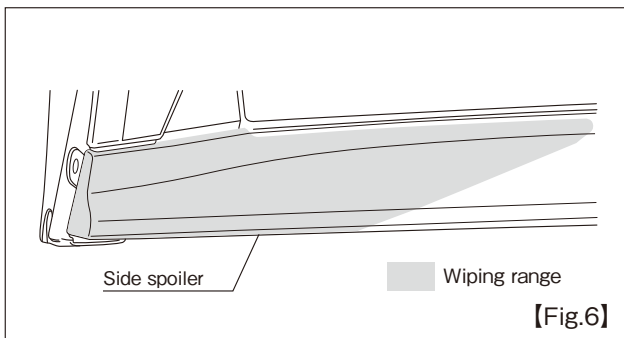
Attach clip (small with a cross head) (6) to part D to fix the front aero splash guard. [Fig.5]

As shown in cross section B-B, temporarily place the front aero splash guard to align its top edge 1 mm below the radius curve end of the side spoiler, and then apply masking tape along the diagonal edge as shown in C.[Fig.5]

Check for any significant misalignment or interference between the side spoiler and the front aero splash guard.

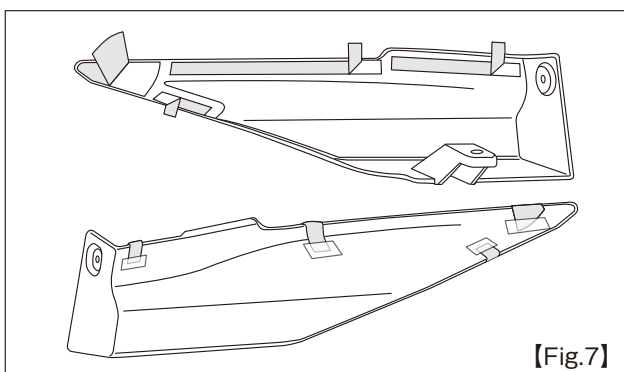
Remove the front aero splash guard and the clip (6).

Caution
The removed clip (small with a cross head) will be reused.

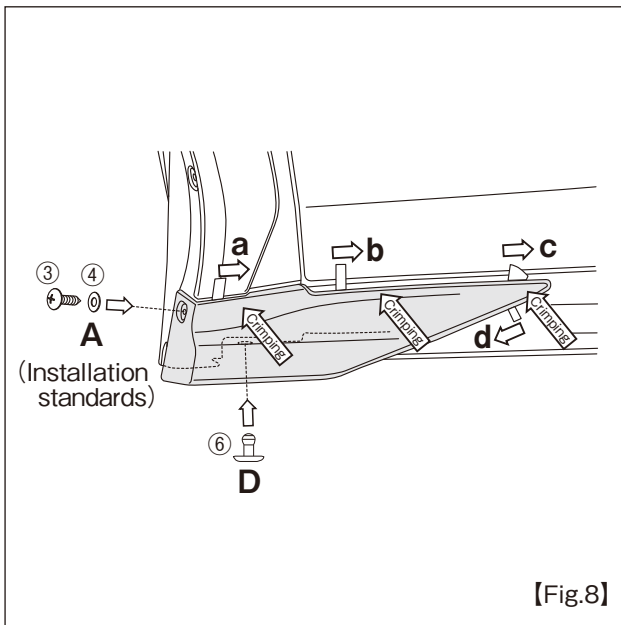


- (6) Use a neutral detergent (or cleaning detergent) and waste cloth to remove any dirt adhering to the car's surface where the front aero splash guard will be attached, and then dry the surface thoroughly. [Fig.6]

Moreover, if sand or mud adheres to the back of the clip insertion holes, etc., then clean the contaminated sections.



- (7) Partly peel off the liners of the double-sided tape on the back of the front aero splash guard and temporarily fix them to the surface of the front aero splash guard with masking tape. [Fig.7]



2. Installation work

- (1) Align the edges of the front aero splash guard with the edges of the masking tape applied to the side spoiler during the preparation work and temporarily attach the guard.
- (2) Temporarily fasten screw ③ with washer ④ to part A. [Fig.8]

⚠ Caution

Temporarily fasten with creating a hole on the protection film with the tip of the screw.

- (3) Attach resin clip (small with a cross head) ⑥ to part D. [Fig.8]
- (4) Peel off the liners of the double-sided tape in the direction of the arrow in order from "a" to "d" and attach the front aero splash guard by applying pressure with a force of 49 N or more. [Fig.8]

⚠ Caution

To avoid leaving any gaps between the contact surfaces of the front aero splash guard and the side spoiler, carry out the work while ensuring a good fit between them.

The liners of the double-sided tape may break when peeled off; therefore, pay careful attention when carrying out the work.

The liner of "a" requires particular attention as it is likely to break due to interference with the shape of the front aero splash guard.

- (5) Use a Phillips screwdriver to securely tighten the screw ③, which was temporarily tightened to part A. [Fig.8]

⚠ Caution

Tighten the bolt of part A with the following torque.

Torque: $1.5 \pm 0.2 \text{ N} \cdot \text{m}$ ($15 \pm 2 \text{ kgf}\cdot\text{cm}$)

Be careful not to tighten the bolt with a torque exceeding the specified value to prevent deformation.

Gap after bonding : 0.5 mm or less

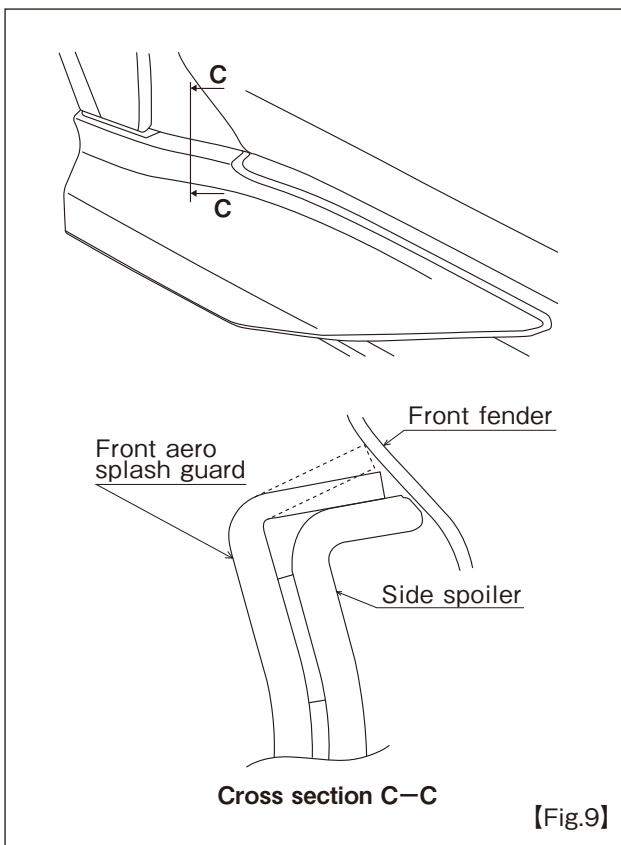
- (6) After the work is completed, peel off the masking tape from the car.
If the surface of the guard or car is soiled, then wipe it clean.

Install the product on the right side in a similar manner.(Turn the steering wheel fully to the right before installation.)

This completes the installation work.

⚠ Inspection guidelines

Check the clip engagement and the bonded state of the double-sided tape and there shall be no rattling. There shall be no significant gap check for gaps caused by interference between the front aero splash guard and the front fender or separation. [Fig.9]



Revised contents

△	Details of the work	date
00	Newly created document	2022.08.02



Rear aero splash guard

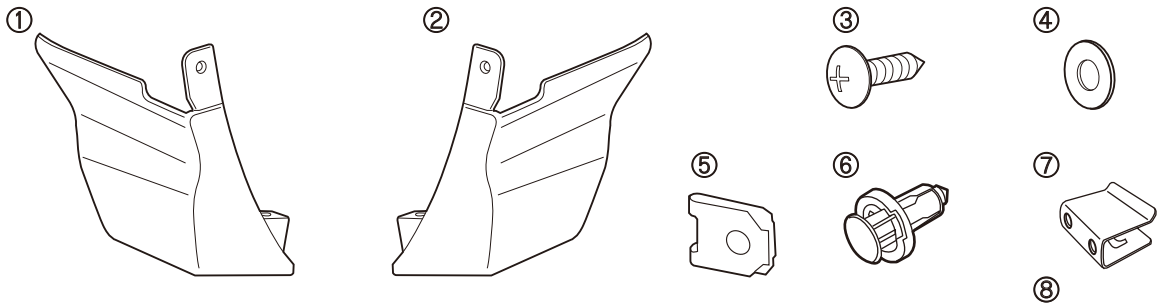
Installation Manual

Genuine Part Number: J1010VC544

Applicable Model: WRX 2022MY~

Components

No.	Part Description	Quantity	No.	Part Description	Quantity
①	Rear aero splash guard RH	1	⑤	Speed nut	2
②	Rear aero splash guard LH	1	⑥	Resin clip	2
③	Tapping screw	2	⑦	Metal clip	2
④	Washer	2	⑧	LABEL	1



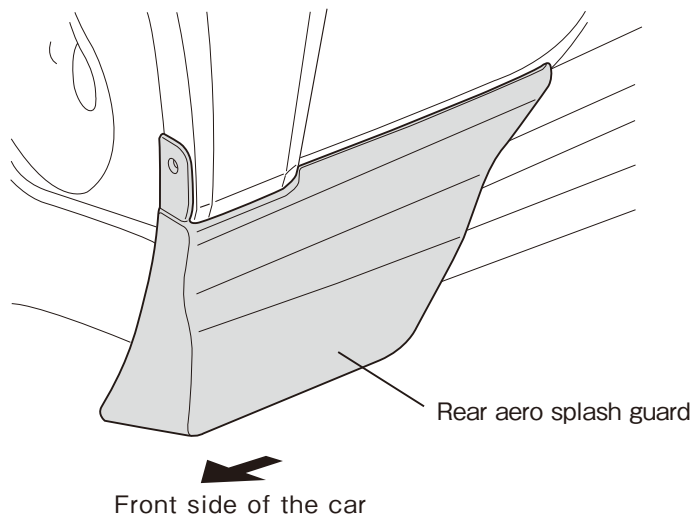
J1010VC548
AERO SPLASH
FITTING KIT RR

Repair part model number
FITTING KIT RR (J1010VC548) : ③×2/④×2/⑤×2/⑥×2/⑦×2/⑧×1

Tools

Waste cloth, neutral detergent or cleaning detergent [IPA (isopropyl alcohol) or nonane], masking tape, clip remover, flathead screwdriver, Phillips screwdriver

Completed installation drawing



※The completed drawing shows the left side of the car.

Rear aero splash guard

This manual describes how to install the rear aero splash guards.

Request

Before installing this product, please ensure to read this manual and carry out proper installation.

Precautions

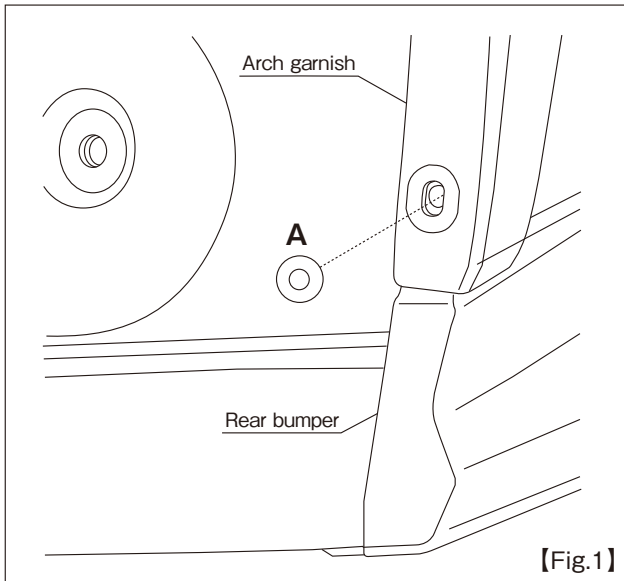
1. When installing this product, park the car on a level surface and securely apply the parking brake before carrying out the work.
2. Before the installation, use a neutral detergent (or cleaning detergent) and waste cloth to remove any dirt adhering to the car's surface where the aero splash guard will be attached, and then dry the surface thoroughly. Moreover, if sand or mud adheres to the back of the clip insertion holes, etc., then clean the contaminated sections.
3. Install the aero splash guards before applying body coating. When installing them on a car that has been coated, remove the coating from the area where double-sided tape is to be applied before installation.
4. During the installation work, pay careful attention not to damage the car with tools, etc.
5. This manual describes how to install the product on the left side. Installation on the right side is symmetrical to that on the left side. Check the shape of the components to be installed before carrying out the work.
6. When the air temperature is 15° C or lower, use a hair dryer to warm up this product and the car surface where double-sided tape is to be applied to approx 30° C to 50° C. Avoid using an industrial dryer.
7. Double-sided tape does not adhere unless it is adequately pressed. The adhesive strength of double-sided tape significantly decreases when the tape is reapplied. Position the tape properly before applying it to avoid the need for reapplication.
8. The adhesive strength of the double-sided tape gradually increases after it is applied. Avoid washing the car within 24 hours after installation. If the car needs to be washed or waxed on the day of the installation, leave it for at least one hour and use tape, etc. to cover the areas where double-sided tape is applied. Also be careful not to apply excessive force to the aero splash guards.
9. When blowing air after installing the product, keep the discharge port at least 300mm away. If it is too close, it may cause the product to peel.
10. When a car has undergone a body coating treatment including glass coating, this product cannot exhibit its original adhesive performance.
Please confirm whether or not a body coating treatment is applied to the car.
Moreover, ensure to remove dirt, oils and fats, etc. adhering to the surface on which the product is to be attached, and also use sufficient pressure to attach it to the car.

<<How to remove a body coating film and confirm the removal>>

- Use a fine-grained compound agent (so as not to affect the car's paint) to rub the coating film off the area on which the product is to be attached.
- After polishing the area, spray water on it. You can confirm that the coating film has been removed when there is no repelling of water on the area.

Installation guidelines

This drawing shows how to install the product on the LH side.

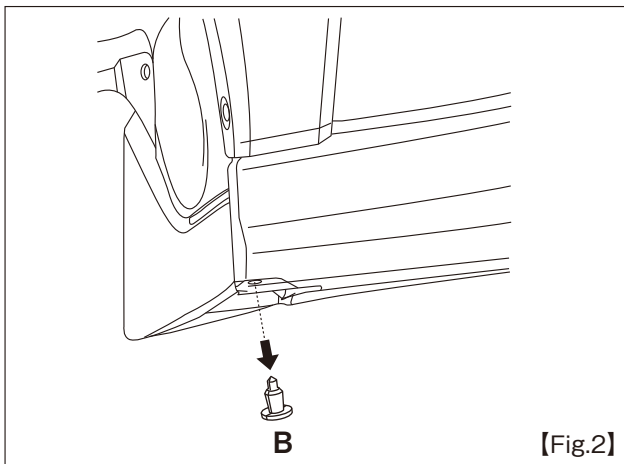


1. Preparation work

Park the car on a level surface and securely apply the parking brake to ensure safe and reliable work.

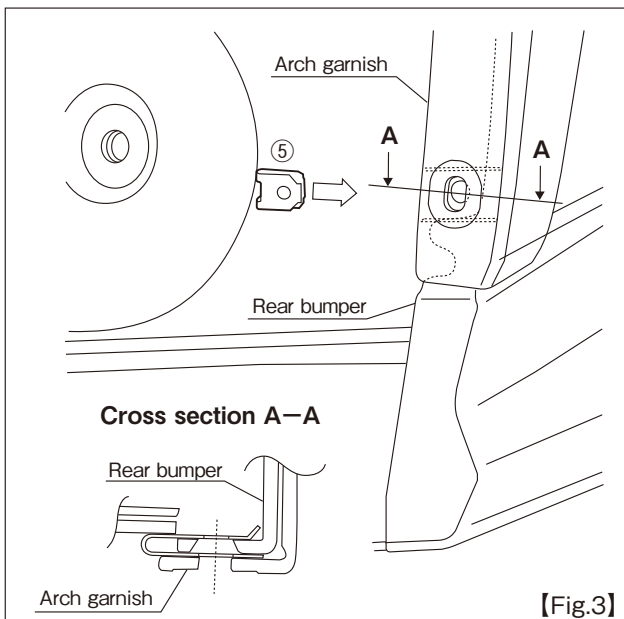
- (1) Remove the car clip from part A. [Fig.1]

⚠ Caution
The removed car clip will not be used.



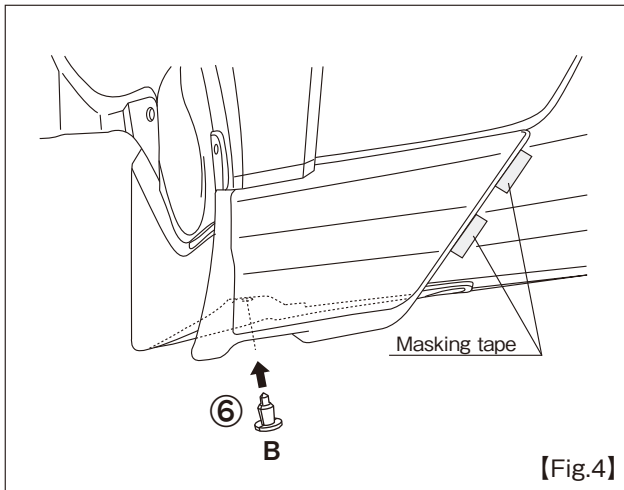
- (2) Remove the car clip from part B. [Fig.2]

⚠ Caution
The removed car clip will not be used.



- (3) Insert speed nut ⑤ into the rear bumper flange. [Fig.3]

⚠ Caution
The rear bumper flange, where the speed nut ⑤ is to be inserted, is located behind the arch garnish. Be careful not to insert the nuts in the wrong sections. [Fig.3]



(4) Position the rear aero splash guard.

Attach clip ⑥ to part B to fix the rear aero splash guard. [Fig.4]

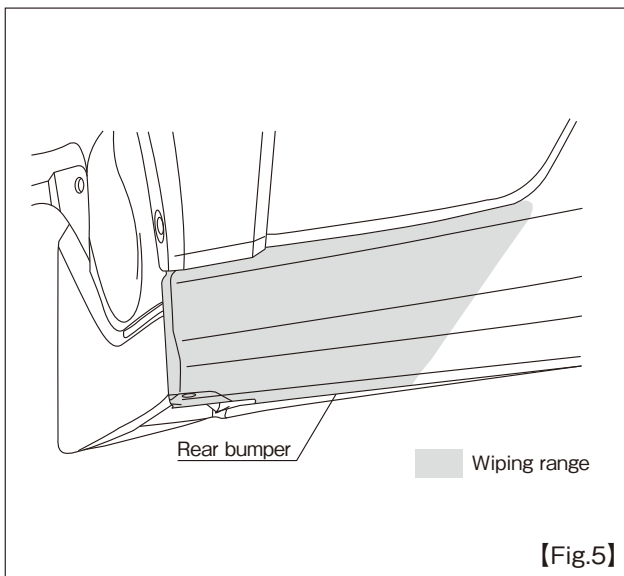
Apply masking tape along the diagonal edge of the rear aero splash guard.[Fig.4]

Check for any significant misalignment or interference between the rear bumper and the rear aero splash guard.

Remove the rear aero splash guard and the clip ⑥.

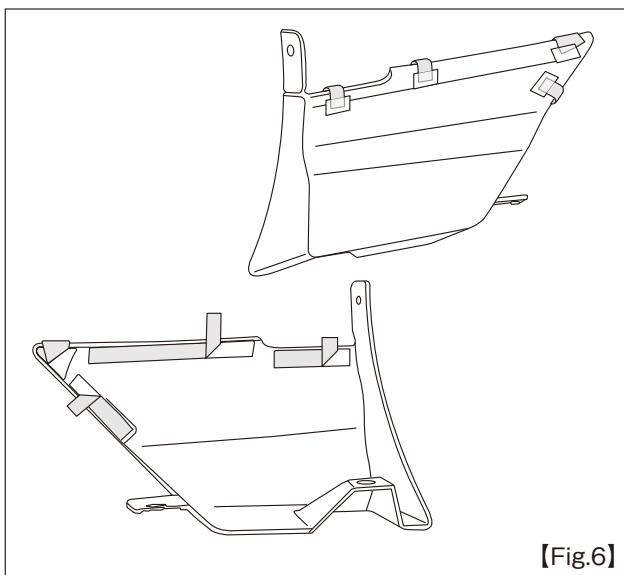
⚠ Caution

The removed car clip ⑥ will be reused.

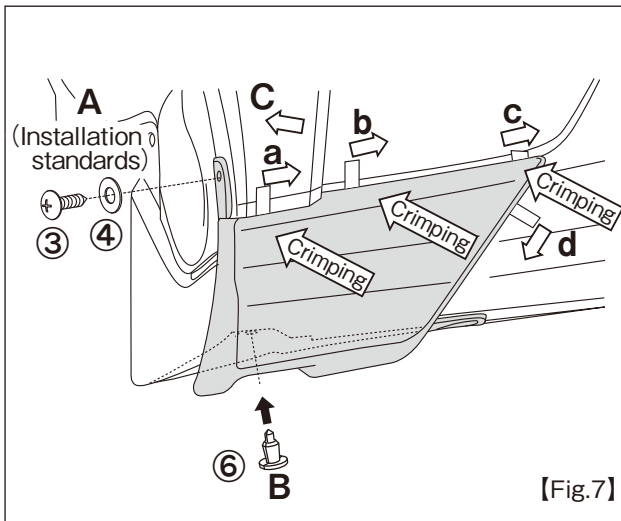


(5) Use a neutral detergent (or cleaning detergent) and waste cloth to remove any dirt adhering to the car's surface where the rear aero splash guard will be attached, and then dry the surface thoroughly.[Fig.5]

Moreover, if sand or mud adheres to the back of the clip insertion holes, etc., then clean the contaminated sections.



(6) Partly peel off the liners of the double-sided tape on the back of the rear aero splash guard and temporarily fix them to the surface of the rear aero splash guard with masking tape. [Fig.6]

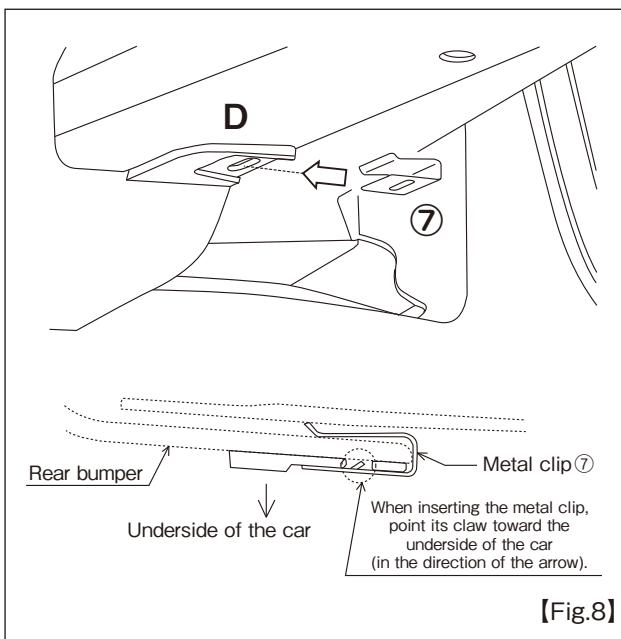


2. Installation work

- (1) Align the edges of the rear aero splash guard with the edges of the masking tape applied to the rear bumper during the preparation work and temporarily attach the guard.
- (2) Temporarily fasten screw ③ with washer ④ to part A with a Phillips screwdriver, while pressing C by hand in the direction of the arrow. [Fig.7]
- (3) Attach resin clip ⑥ to part B. [Fig.7]
- (4) Attach metal clip ⑦ to part D while pressing the rear aero splash guard from the outside by hand to prevent it from moving away from the car. [Fig.8]
- (5) Peel off the liners of the double-sided tape in the direction of the arrow in order from "a" to "d" and attach the rear aero splash guard by applying pressure with a force of 49 N or more. [Fig.7]

⚠ Caution

To avoid leaving any gaps between the contact surfaces of the rear aero splash guard and the rear bumper, carry out the work while ensuring a good fit between them.
When inserting the metal clip, ensure the correct position of the claw and securely insert it until it clicks.
The metal clip will not click unless the rear aero splash guard is firmly pressed by hand when the clip is inserted.



- (6) Use a Phillips screwdriver to securely tighten the screw ③, which was temporarily tightened to part A.

⚠ Caution

Tighten the bolt of part A with the following torque.
Torque: $1.5 \pm 0.2 \text{ N} \cdot \text{m}$ ($15 \pm 2 \text{ kgf} \cdot \text{cm}$)
Be careful not to tighten the bolt with a torque exceeding the specified value to prevent deformation.
Gap after bonding: 0.5 mm or less

- (7) After the work is completed, peel off the masking tape from the car.
If the surface of the guard or car is soiled, then wipe it clean.
Install the product on the right side in a similar manner.
This completes the installation work.

⚠ Inspection guidelines

Check the clip engagement and the bonded state of the double-sided tape and there shall be no rattling. There shall be no significant gap or separation.

Revised contents

△	Details of the work	date
00	Newly created document	2022.08.02