



Sport Grille

Installation Manual

Genuine Part Number J1010SL000
 Applicable Model FORESTER 2025MY~

Thank you for purchasing the Subaru Genuine Sport Grille.
 This manual describes the procedure to install the Sport Grille on the FORESTER.
 Be sure to read this manual before installing this product and follow the instructions described below.

Component Parts

		Sport Grille		
		No.	Part Name	Quantity
	1	Sport Grille	1	
	2	Camera Cover	1	
	3	Screws #4 × 12 mm	2	

⚠ Installation Precautions

For your safety, important instructions that should be observed are shown with the following symbols in this Installation Manual.

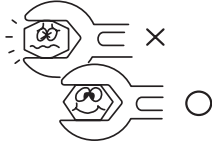
⚠ **CAUTION**This refers to situations in which injury may occur or property may be damaged if the caution instructions are not followed.

👉 **NOTE**This denotes things that you should be made aware of so you can do the work quickly.

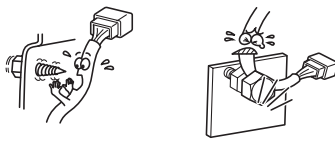
- (1) Park the vehicle on a level place, apply the parking brake, and use wheel chocks.
- (2) Make sure to arrange vehicle parts by part when removing them so that you do not lose the tapping screws, nuts and bolts, and so you do not mistaken them when reinstalling the vehicle components. Also, pay due attention not to damage the vehicle and the removed parts during work.
- (3) Follow the Service Manual when handling the battery.
- (4) To prevent damage to the vehicle and vehicle parts when removing vehicle parts and installing the product, be sure to perform the work on a Protective Sheet.

Installation of Parts

● Use the proper size of tools.

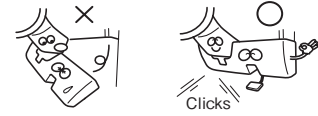


● Pay attention to the back side and do not allow any wire harness to get caught.



After Completion of Installation

● Be sure to reassemble all the vehicle parts that have been removed.



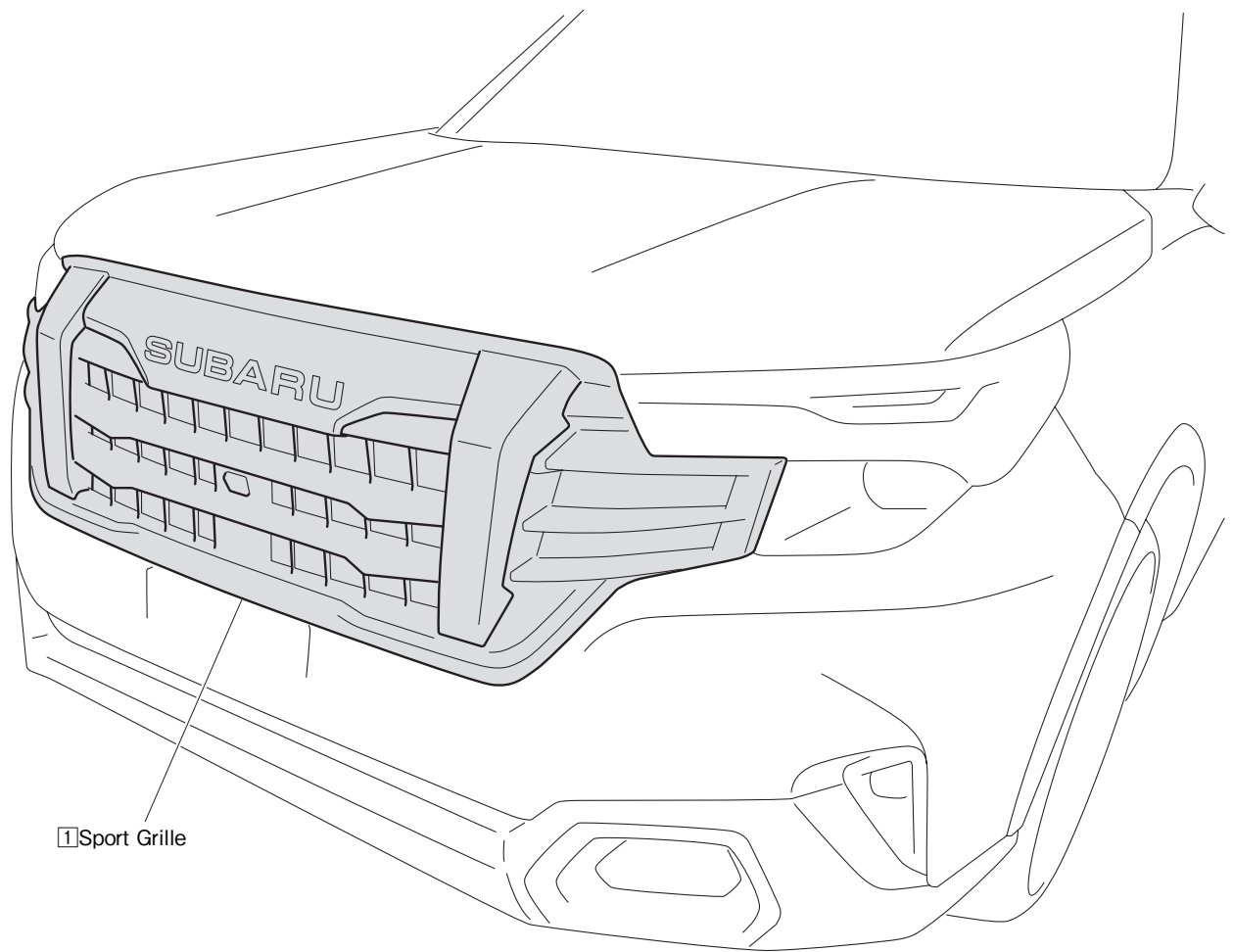
⚠ CAUTION

Follow the Service Manual when performing the work.

Tools Required

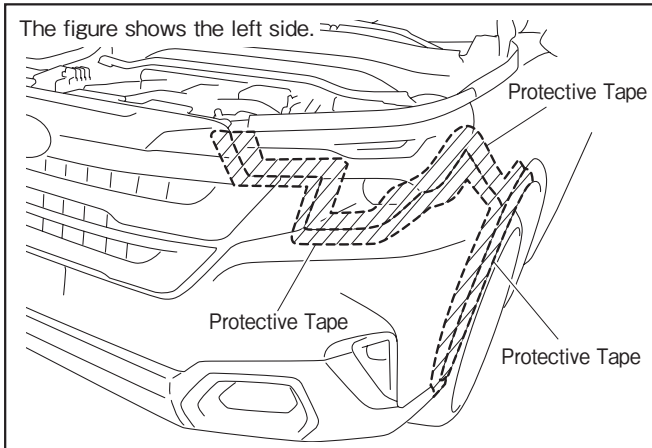
Philips screwdriver, Flat head screwdriver, Torque check screwdriver, clip removal tool, Needle nose pliers, Protection tape, Waste cloth, De-greasing agent

Post-installation Diagram



Installation Procedure

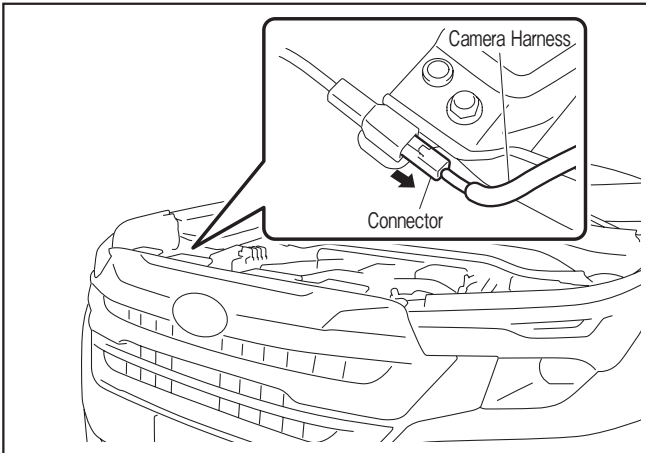
The figure shows the left side.



TG-CT-A01

1. Applying Protective Tape

- (1) Apply Protective Tape to the shaded area in the figure.
- (2) Repeat the same procedure for the right side.

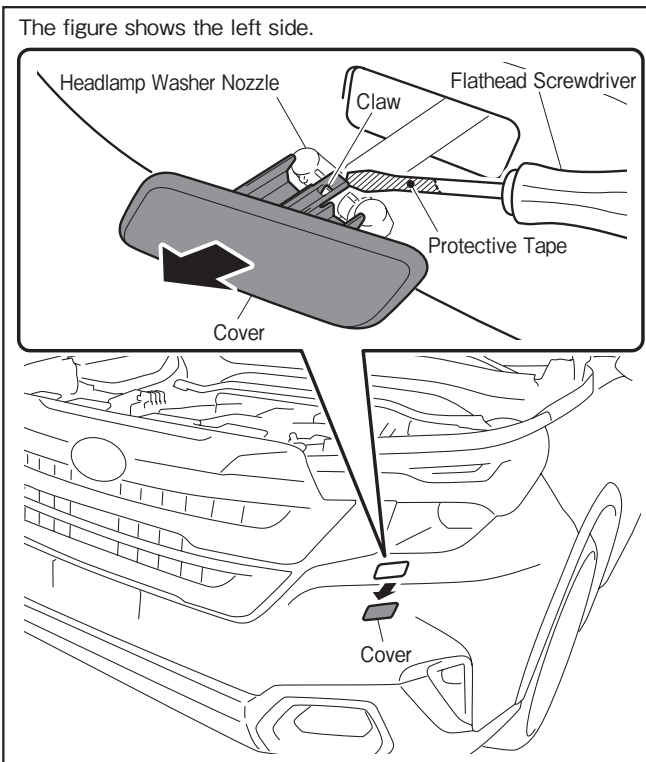


TG-CT-A06

2. Detaching the Camera Harness

<For vehicles with a camera>

- (1) Disconnect the Connector on the Camera Harness.



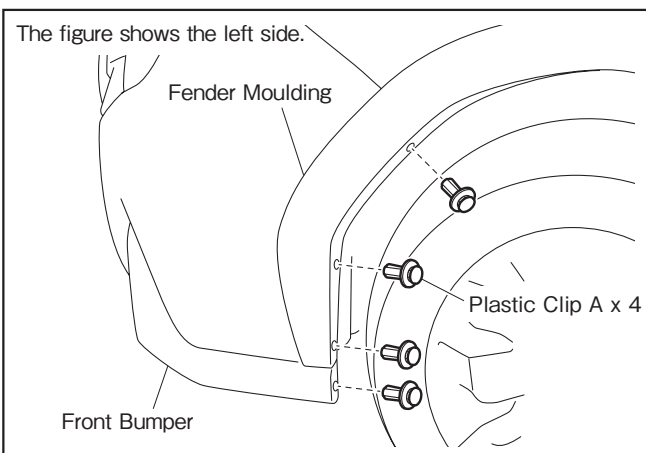
TG-CT-A02

3. Removing the Front Bumper

- (1) Pull out the Headlamp Washer Nozzle, disengage the Claw, and remove the cover.
- (2) Repeat the same procedure for the right side.

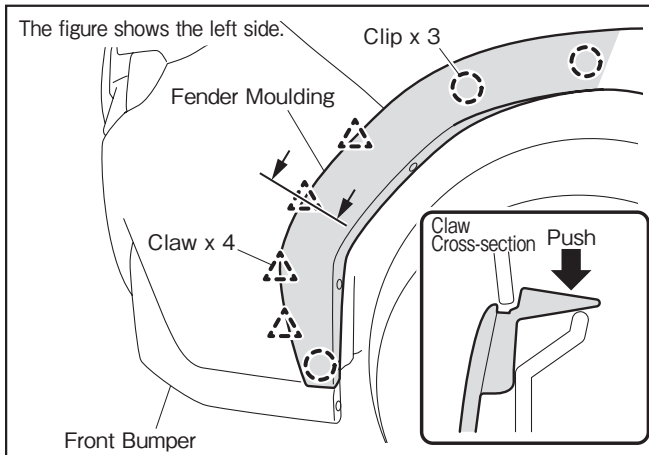
⚠ CAUTION

Unless otherwise stated, the removed vehicle parts will be reused, so be careful not to misplace them. **(Adopt this practice throughout the rest of the procedure)**



TG-CT-A03

- (3) Remove Plastic Clips A (4 pcs) that secure the Front Bumper and Fender Moulding.
- (4) Repeat the same procedure for the right side.



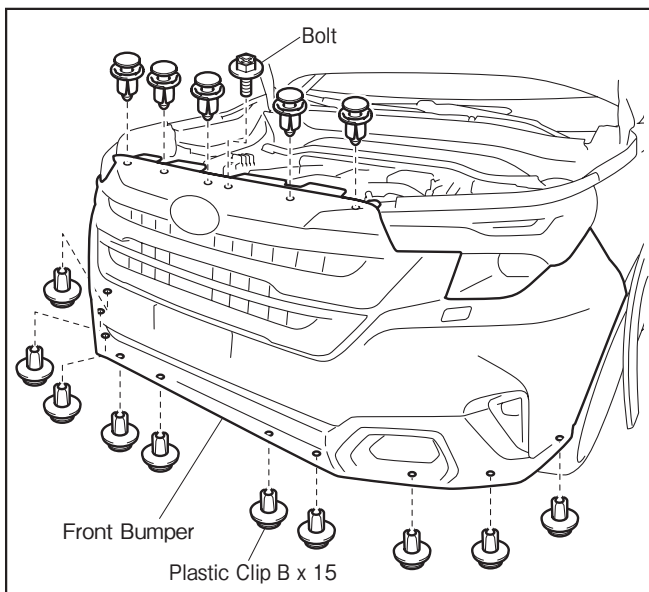
TG-CT-A08

- (5) Disengage Clips (3 places) and Claws (4 places) and allow Fender Moulding to rise up on front side of vehicle.

NOTE

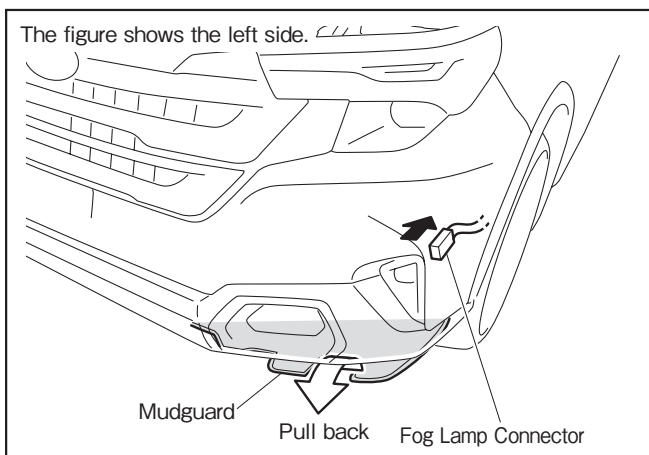
If Clips remain on vehicle, remove them using a Clip Remover, etc. and attach to Fender Moulding before restoring to original position.

- (6) Repeat the same procedure for the right side.



TG-CT-A04

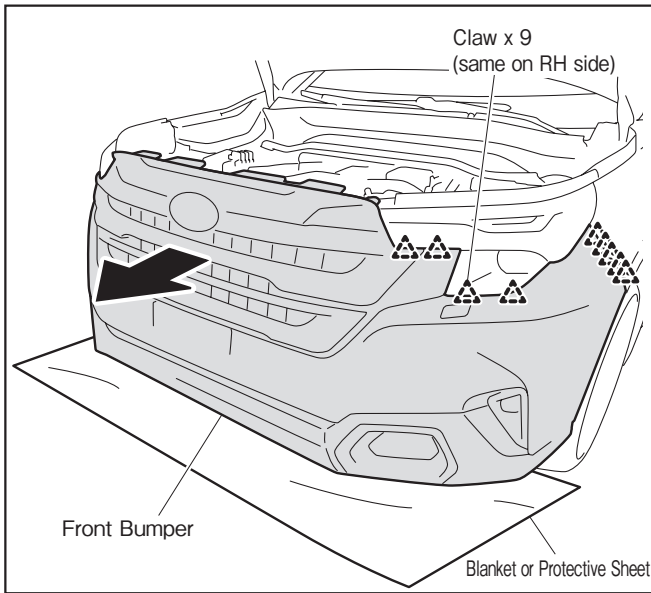
- (7) Remove Bolt (1 pc) and Plastic Clips (15 pcs).



TG-CT-A07

- (8) Pull back the Mudguard and disconnect the Fog Lamp Connector.

- (9) Repeat the same procedure for the right side.

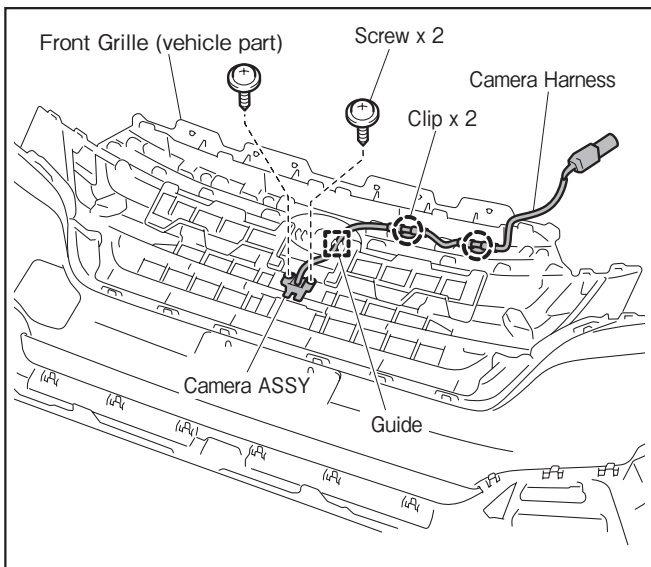


TG-CT-A05

- (10) Disengage the Claws (18 places) and remove the Front Bumper.

⚠ CAUTION

- (1) Be careful not to break the harness when removing the Front Bumper.
- (2) Place the Front Bumper on a blanket or Protective Sheet so that it will not get scratched.



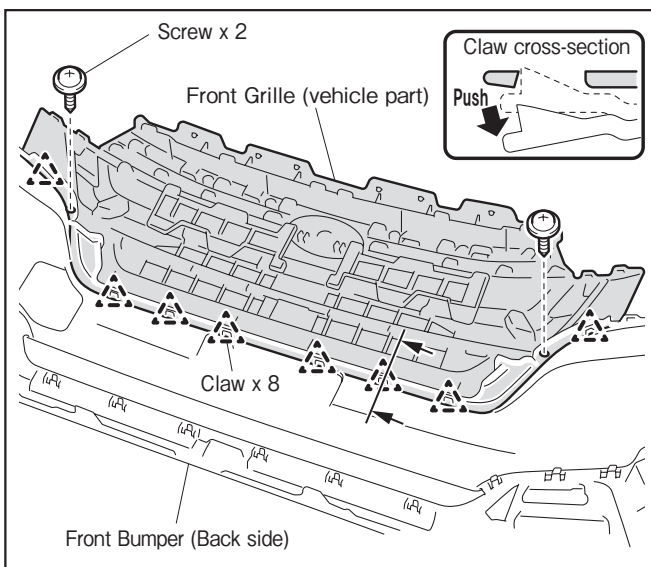
TG-CT-B01

4. Removing the Camera
 <For vehicles with a camera>

- (1) Remove the Screws (2 pcs).
- (2) Disengage the Clips (2 places) and Guide (1 place), and remove the Camera from the Front Grille.

⚠ CAUTION

- (1) Be sure to remove or install the Front Bumper above a blanket or Protective Sheet so that it will not get scratched. **(Adopt this practice throughout the rest of the procedure)**
- (2) Use needle nose pliers to gently pinch the sides of the clips or flat head screwdriver to pry each side out. Be careful not to damage the clip.
- (3) Protect the Camera with a blanket or the like so that it does not get scratched.



TG-CT-B02

5. Removing the Front Grille

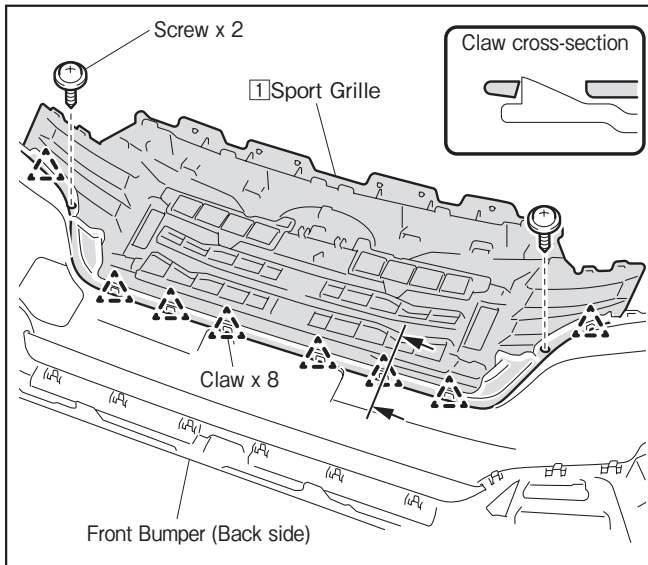
- (1) Remove the Screws (2 pcs).
- (2) Disengage the Claws (8 places) and remove the Front Grille (vehicle part).

⚠ CAUTION

- Be sure to remove or install the Front Bumper above a blanket or Protective Sheet so that it will not get scratched. **(Adopt this practice throughout the rest of the procedure)**

NOTE

Front Grille (vehicle part) will not be used again.



TG-CT-B03

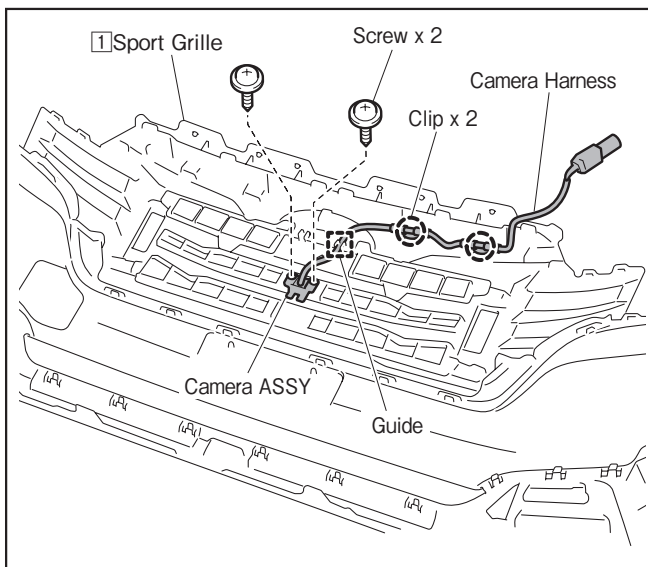
6. Installing the Sport Grille

- (1) Engage the Claws (8 places) to attach 1 Sport Grille to the Front Bumper.
- (2) Affix the 1 Sport Grille using Screws (2 pcs).

⚠ CAUTION

Tightening the screw with an electric drill or another tool with a high torque specification may damage the screw, so use a Phillips-head Screwdriver to tighten the screw by hand.

(FYI: Tightening torque = $1.5 \text{ N} \cdot \text{m} \pm 0.3$)



TG-CT-B04

7. Installing the Camera

<For vehicles with a camera>

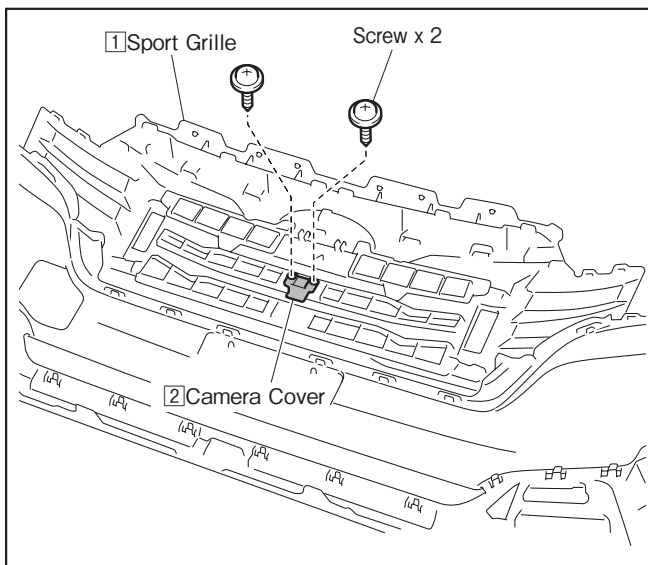
- (1) Attach the Camera Assy to the 1 Sport Grille using Screws (2 pcs).

Tightening torque: $1.1 \text{ N} \cdot \text{m} \pm 0.2$

⚠ CAUTION

Reuse the vehicle screws (2 pcs). Do not use the 3 Screws (2 pcs) included with the product.

- (2) Engage the Clips (2 places) and Guide (1 place), and then secure the Camera Harness.



TG-CT-B05

8. Installing the Camera Cover

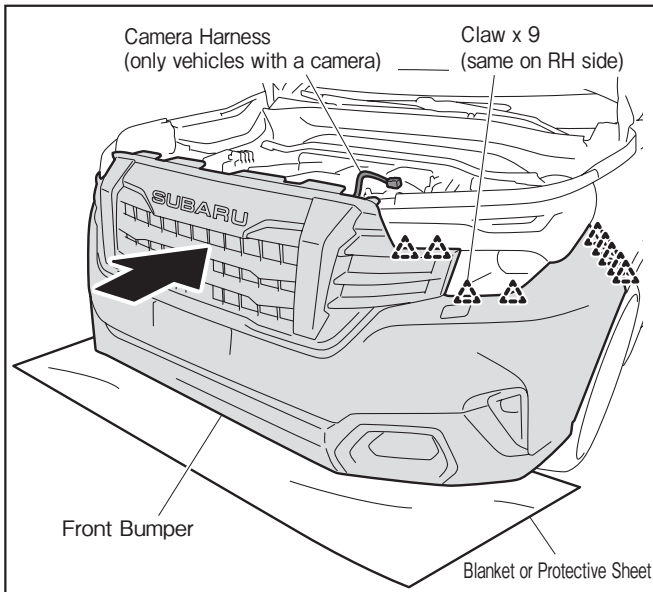
<Only for vehicles without a camera>

- (1) Attach the 2 Camera Cover to the 1 Sport Grille using 3 Screws (2 pcs).

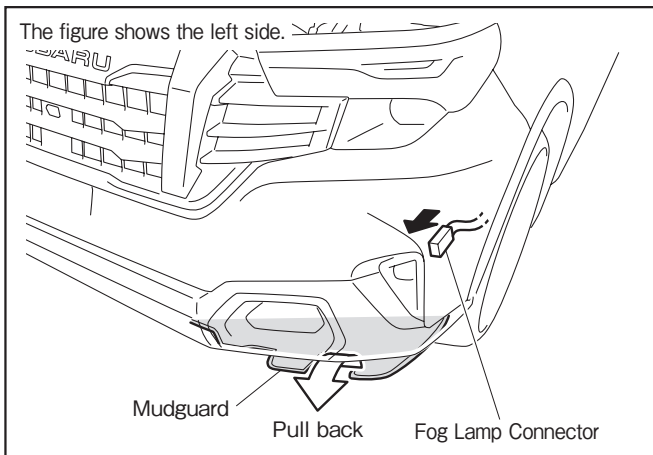
Tightening torque: $1.1 \text{ N} \cdot \text{m} \pm 0.2$

⚠ CAUTION

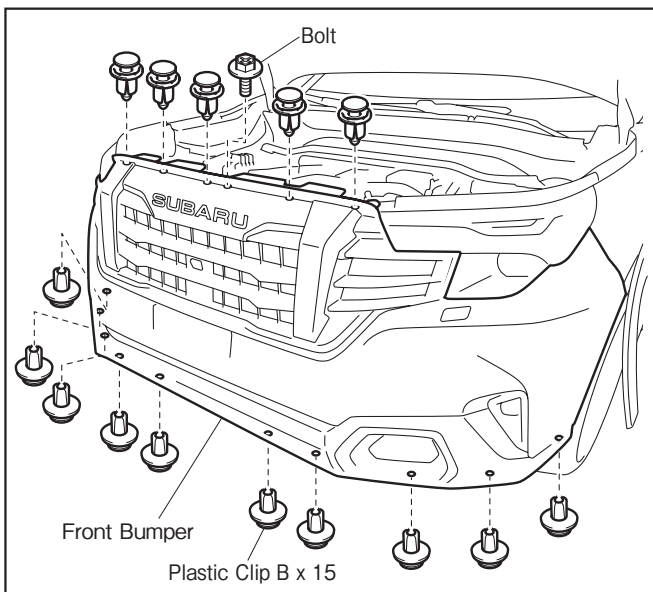
Use the 2 Camera Cover and 3 Screws (2 pcs) included with the product.



TG-CT-C06



TG-CT-C07



TG-CT-C08

9. Reinstalling the Front Bumper

- (1) Engage the Claws (18 places) and reinstall the Front Bumper.

⚠ CAUTION

- (1) Check that the Front Bumper Claws are set in the correct position before pushing them in to engage them. Not doing so may damage the Front Bumper.
- (2) For vehicles with a camera, face the camera harness toward the engine room so that you will be able to connect it.

- (2) Pull back the Mudguard and connect the Fog Lamp Connector.

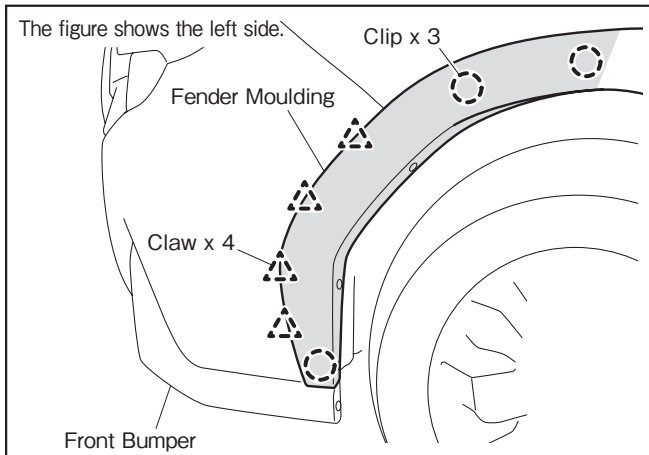
⚠ CAUTION

Check the orientation of the Fog Lamp Connector and insert it until it makes a clicking sound. The Fog Lamps will not turn on if the connector is not connected correctly.

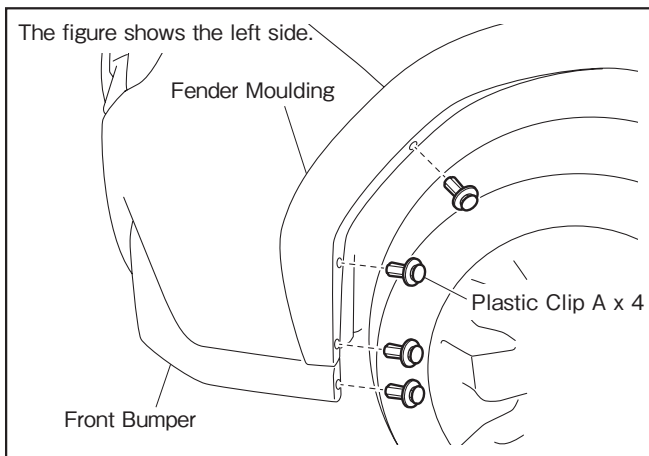
- (3) Repeat the same procedure for the right side.

- (4) Secure the Front Bumper with Bolt (1 pc) and Plastic Clips B (15 pcs).

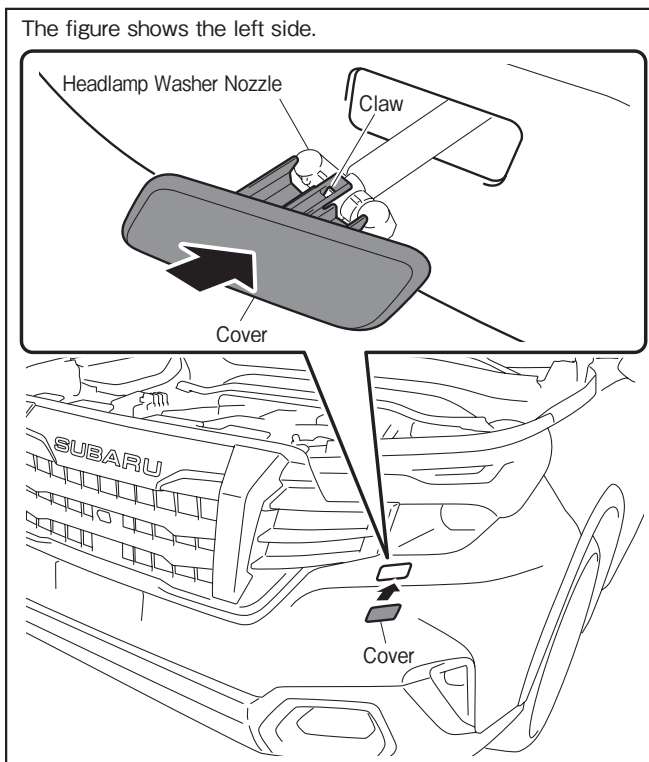
Tightening torque: 7.5 Nm (0.8kgf-m, 5.5ft-lb)



TG-CT-C12



TG-CT-C09

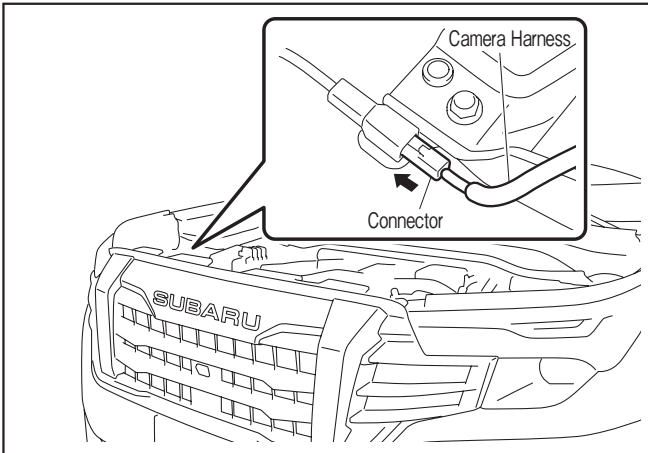


TG-CT-C10

- (5) Engage Clips (3 places) and Claws (4 places) to restore Fender Moulding to original position on front side of vehicle.
- (6) Repeat the same procedure for the right side.

- (7) Secure the Front Bumper and Fender Moulding with Plastic Clips A (4 pcs).
- (8) Repeat the same procedure for the right side.

- (9) With the Head Lamp Washer Nozzle pulled out, engage the Claw to attach the cover.
- (10) Repeat the same procedure for the right side.



TG-CT-C11

10. Connecting the Camera Harness

<For vehicles with a camera>

- (1) Connect the Camera Harness Connector.

Post-installation Inspection

- (1) Remove all Protective Tape.
- (2) Follow the Service Manual when performing the work.

Inspection Procedure

- (1) Check that the Fog Lamps turn on.
- (2) Check that the camera images are displayed correctly on the multifunction display.
- (3) Re-check that the Plastic Clips, Bolts and Screws are not loose and that parts are firmly secured and are not damaged or soiled.

Revision History

△	Description	Revision Date
△00	First version	November 2023