



Sport Grille

Installation Manual

Genuine Part Number: J1010SJ260

Applicable Model: FORESTER 2022MY~

Thank you for purchasing the Subaru Genuine Sport Grille.
 This manual describes the procedure to install the Sport Grille on the Forester.
 Be sure to read this manual before installing this product and follow the instructions described below.

Component Parts

No.	Sport Grille	
	Part Name	Quantity
1	Sport Grille	1
2	Camera Cover	1
3	Screw M4 x 12 mm	2
4	Cushion	1

⚠ Installation Precautions

For your safety, important instructions that should be observed are shown with the following symbols in this Installation Manual.

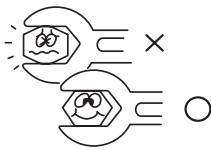
⚠ CAUTION ...This refers to situations in which injury may occur or property may be damaged if the caution instructions are not followed.

👉 NOTE ...This denotes things that you should be made aware of so you can do the work quickly.

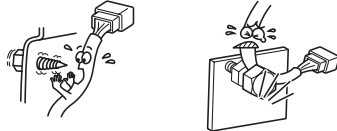
1. Park the vehicle on a level place, apply the parking brake, and use wheel chocks.
2. Make sure to arrange vehicle parts by part when removing them so that you do not lose the tapping screws, nuts and bolts, and so you do not mistaken them when reinstalling the vehicle components. Also, pay due attention not to damage the vehicle and the removed parts during work.
3. Follow the Owner's Manual when handling the battery.
4. To prevent damage to the vehicle and vehicle parts when removing vehicle parts and installing the product, be sure to perform the work on a Protective Sheet.

Installation of Parts

- Use proper size tools.



- Pay attention to the back side and do not allow any wire harness to get caught.



After Completion of Installation

- Be sure to reassemble all the vehicle parts that have been removed.



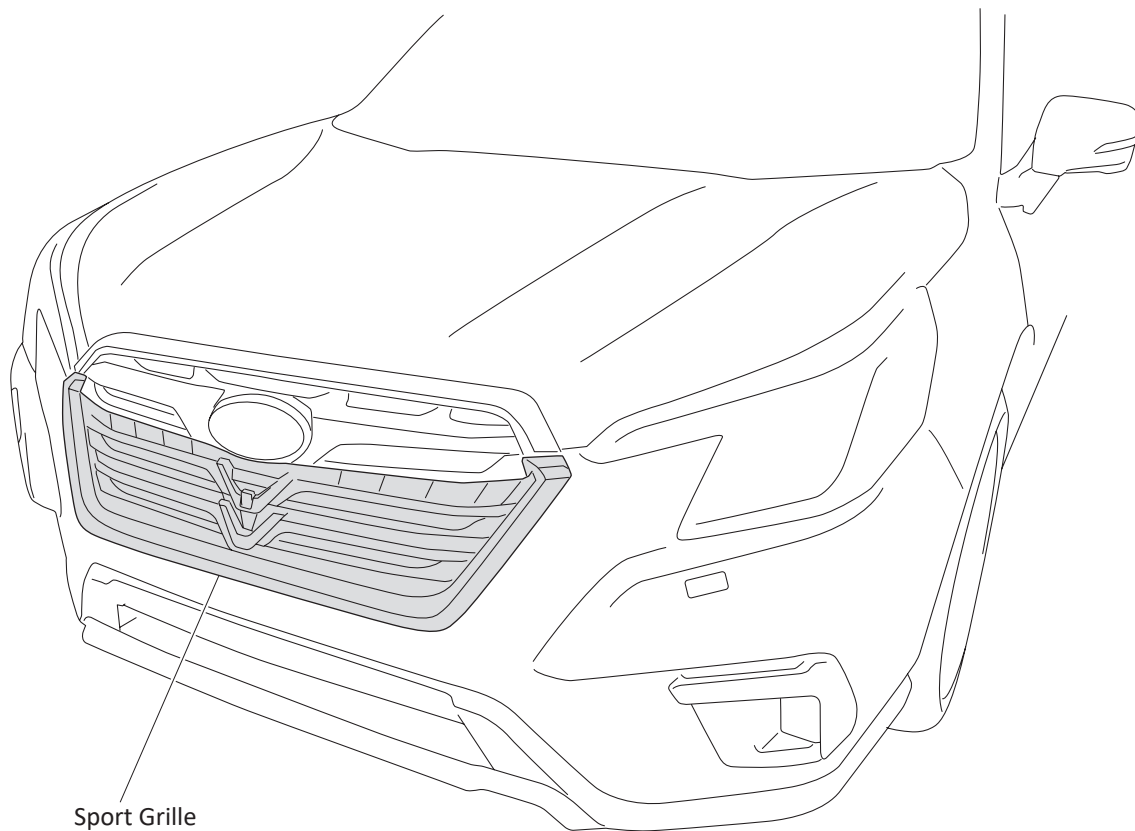
⚠ CAUTION

Follow the Service Manual when performing the work.

Tools Required

Combination Wrench (10 mm), Phillips-head Screwdriver, Flathead Screwdriver, Torque Screwdriver, Clip Remover, Protective Tape, and Blanket or Protective Sheet, Cloth, Rubbing Alcohol.

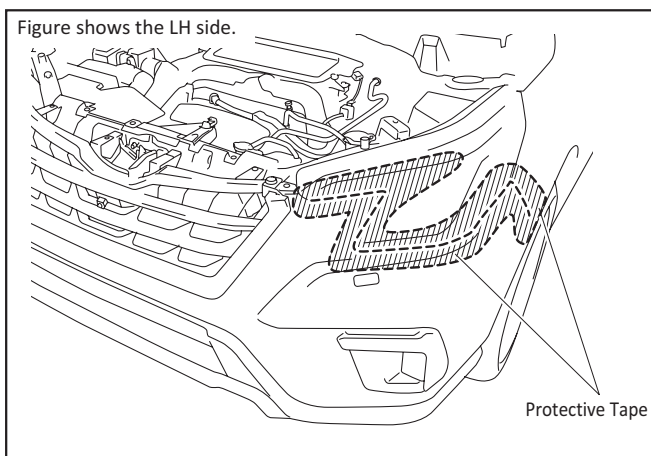
Post-installation Diagram



Sport Grille

Installation Procedure

Figure shows the LH side.



Protective Tape

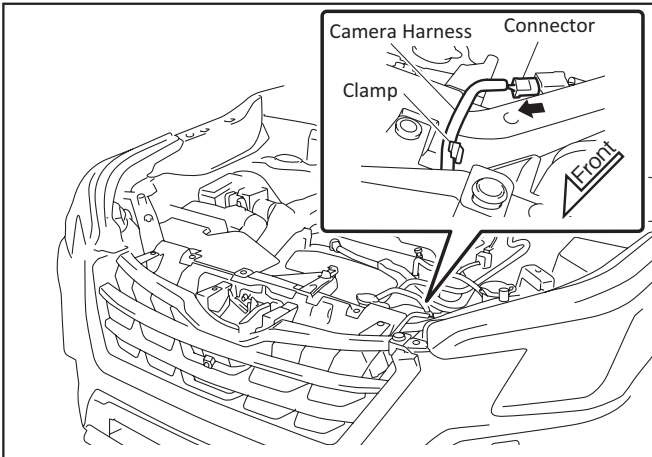
TG-ZN-A01

NOTE

For vehicles with Fog Lamps, disconnect negative battery terminal before starting.

1. Applying Protective Tape

- (1) Apply Protective Tape to the shaded area in the figure.
- (2) Repeat the same procedure for the right side.



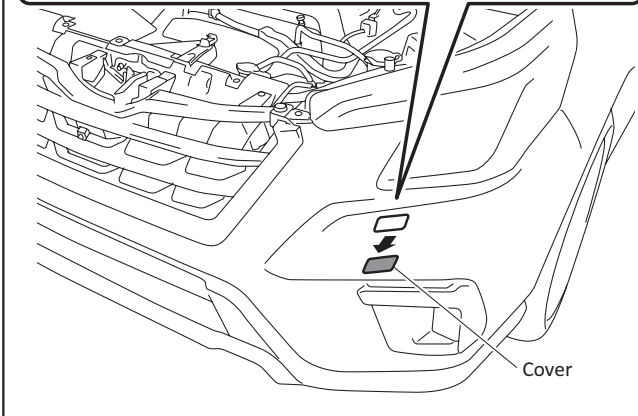
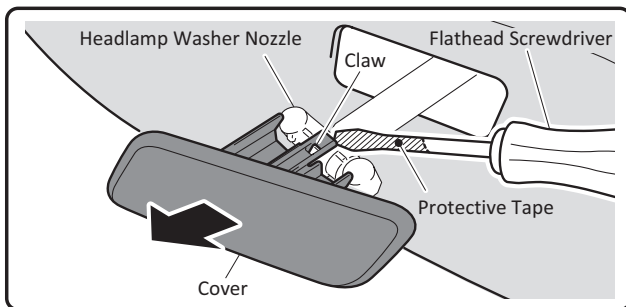
TG-ZN-A06

2. Detaching the Camera Harness

<For vehicles with a camera>

- (1) Detach the Connector and Clamp on the Camera Harness.

Figure shows the LH side.



TG-ZN-A02

3. Removing the Front Bumper

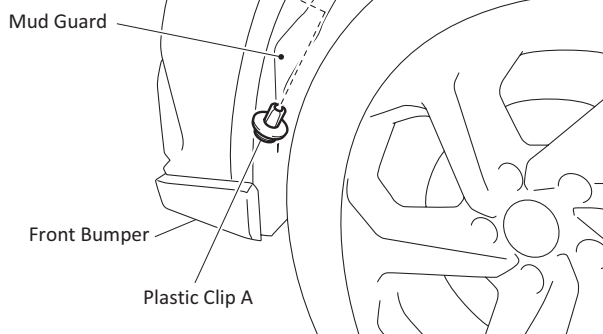
- (1) If equipped, pull out the Headlamp Washer Nozzle, disengage the Claw, and remove the Cover.
- (2) Repeat the same procedure for the right side.

⚠ CAUTION

Unless otherwise specified, the removed vehicle parts will be reused. Sort them out so that you do not lose any of the removed items.

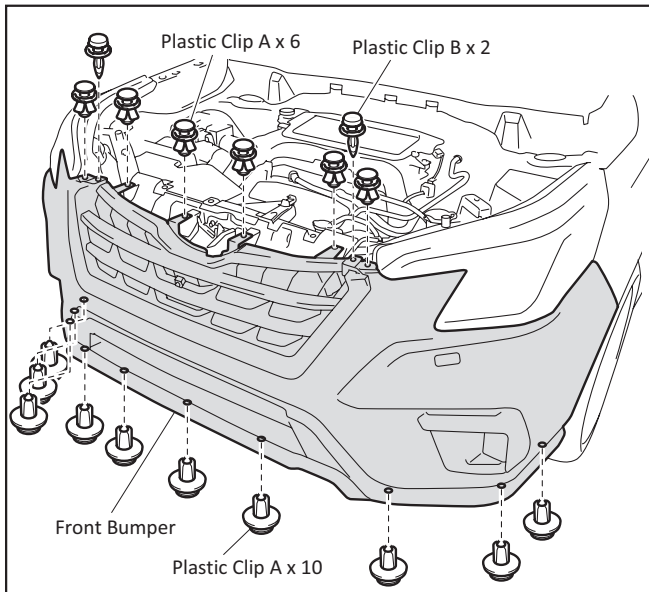
(Adopt this practice throughout the rest of the procedure).

Figure shows the LH side.



TG-ZN-A03

- (3) Remove Plastic Clip A (1 pcs) that secure the Front Bumper.
- (4) Repeat the same procedure for the right side.

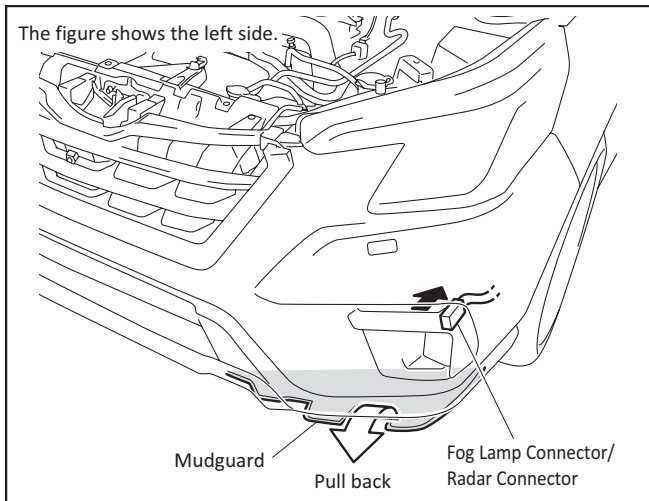


TG-ZN-A04

(5) Remove Plastic Clip A (bottom 10 pcs) (top 6 pcs) and Plastic Clip B (2 pcs).

NOTE

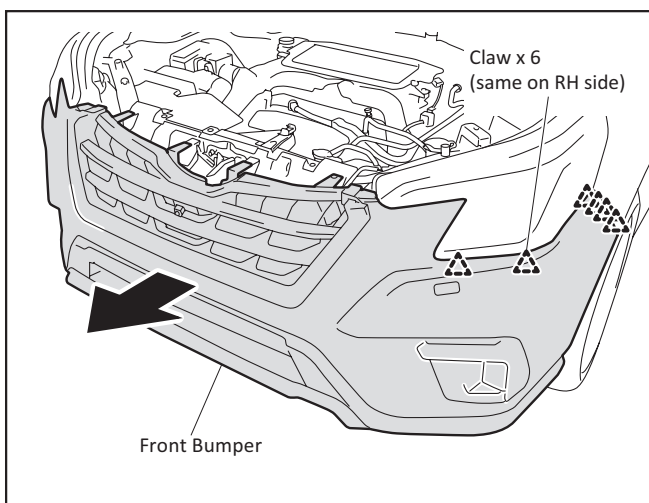
Plastic Clip B will be used in "6. Installing the Sport Grille" (p. 6).



TG-ZN-A07

(6) Partially fold over the Mud Guard, and disconnect the Fog Lamp Connector.

(7) Repeat the same procedure for the right side.

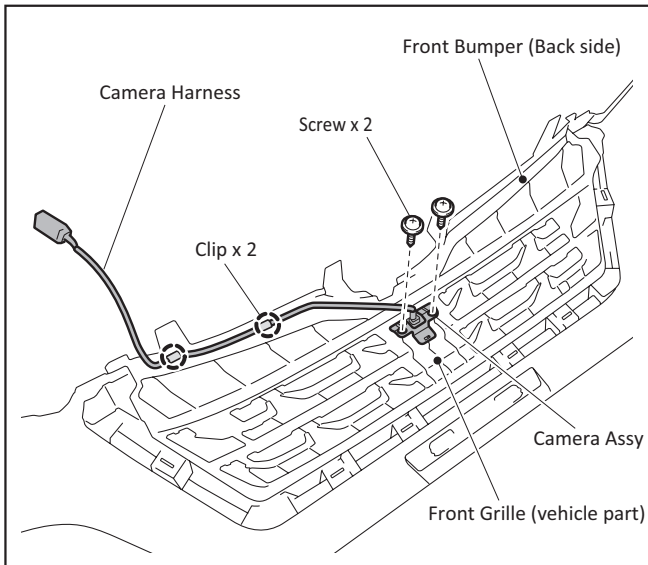


TG-ZN-A05

(8) Disengage the Claws (12 places on right and left sides) and remove the Front Bumper.

CAUTION

- (1) Be careful not to break the harness when removing the Front Bumper.
- (2) Place the Front Bumper on a blanket or Protective Sheet so that it will not get scratched.



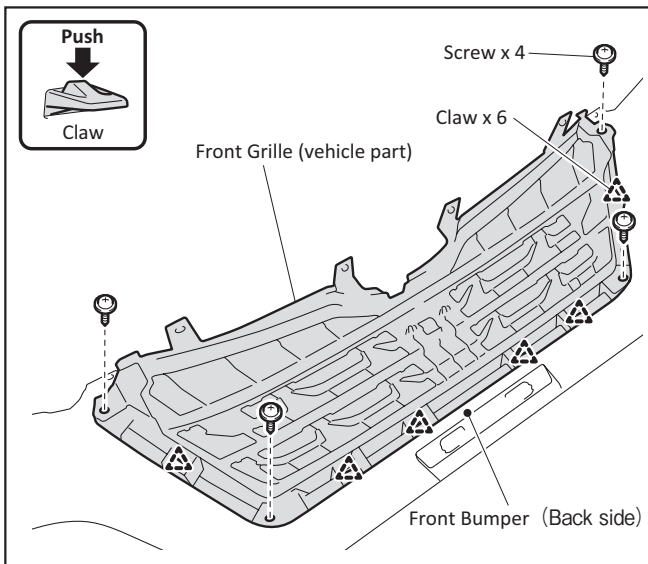
TG-ZN-B01

4. Detaching the Camera <Only for a vehicle with a Camera>

- (1) Remove the Screws (2 pcs).
- (2) Disengage the Clips (2 pcs), and detach the Camera from the Front Grille.

⚠ CAUTION

- (1) Be sure to remove or install the Front Bumper above a blanket or Protective Sheet so that it will not get scratched.
(Adopt this practice throughout the rest of the procedure).
- (2) Protect the Camera with a blanket or the like so that it does not get scratched.



TG-ZN-B02

5. Removing the Front Grille

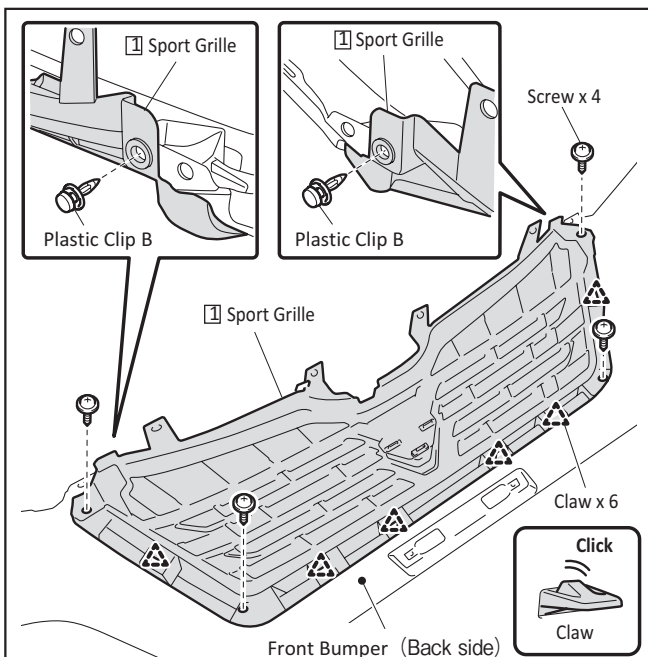
- (1) Remove the Screws (4 pcs).
- (2) Disengage the Claws (6 places) and remove the Front Grille (vehicle part).

⚠ CAUTION

- Be sure to remove or install the Front Bumper above a blanket or Protective Sheet so that it will not get scratched.
(Adopt this practice throughout the rest of the procedure).


👉 NOTE

Front Grille (vehicle part) will not be used again.



TG-ZN-B03

6. Installing the Sport Grille

- (1) Engage the Claws (6 places) to attach the  Sport Grille to the Front Bumper.
- (2) Attach Plastic Clip B (2 pcs).

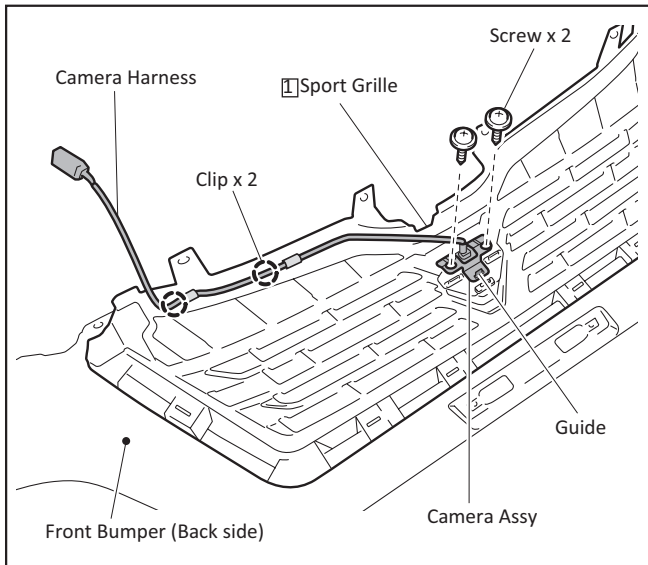
👉 NOTE

Use Plastic Clip B that you removed in "3. Removing the Front Bumper" (p. 5).

- (3) Secure the  Sport Grille with the Screws (4 pcs).

⚠ CAUTION

Tightening the Screws with an electric (high torque) tool may damage the grille so tighten the Screws by hand using a Phillips-head Screwdriver.
(FYI: Tightening torque 1.5 N·m±0.3)



TG-ZN-B04

7. Installing the Camera

<Only for a vehicle with a Camera>

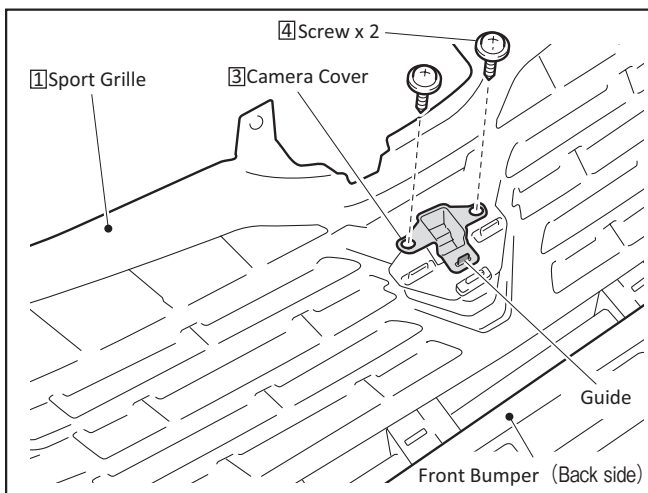
- (1) Attach the Camera Assy to the **1** Sport Grille with the Screws (2 pcs) and Guide (1 place).

Tightening torque: 1.1 Nm ±0.2 (10 in-lbs ± 1)

CAUTION

Do not use the M4 screws (2 pcs) included in the product package.

- (2) Engage the Clips (2 pcs) and Guide (1 pc), and then secure the Camera Harness.



TG-ZN-B05

8. Installing the Camera Cover

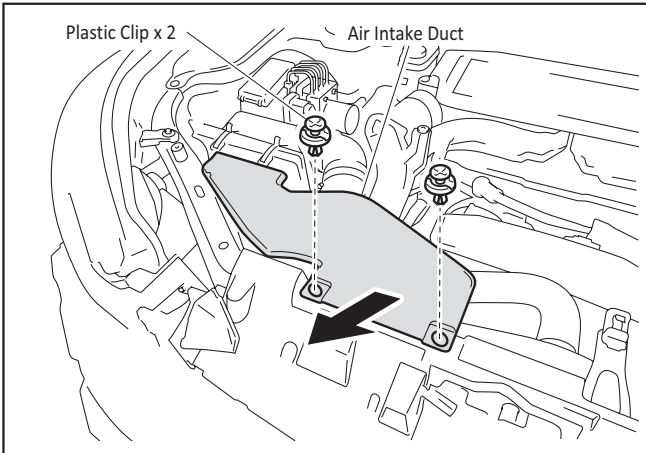
<Only for a vehicle without a Camera>

- (1) Attach the **3** Camera Cover to the **1** Sport Grille with the **4** Screws (2 pcs) and Guide (1 place).

Tightening torque: 1.1 Nm ±0.2 (10 in-lbs ± 1)

CAUTION

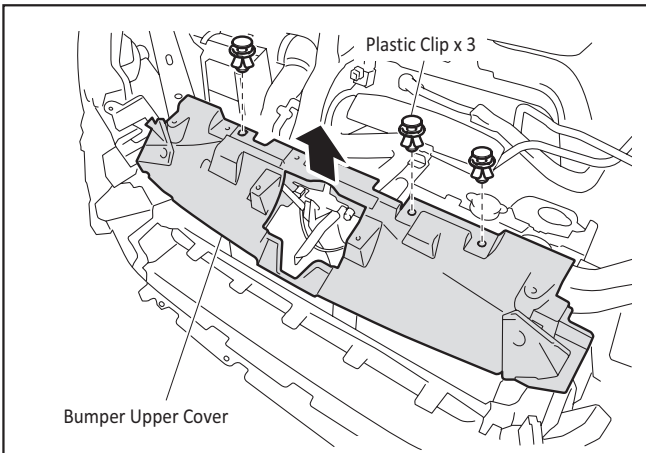
Use the Screws (2 pcs) and Camera Cover included with the product.



TG-ZN-C01

9. Removing the Air Intake Duct

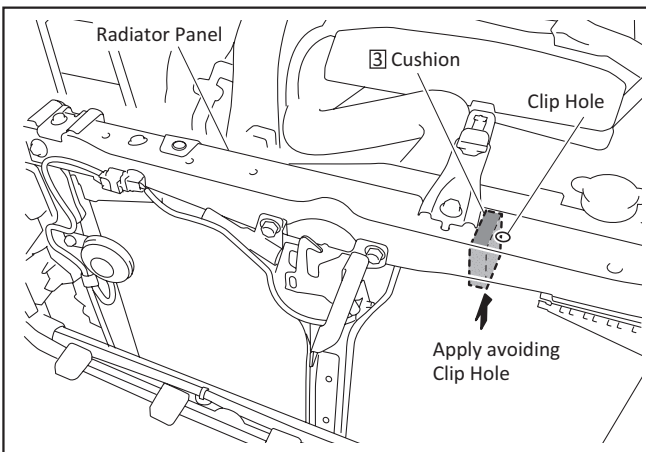
- (1) Remove the Plastic Clips (2 pcs), and remove the Air Intake Duct by lifting it upwards.



TG-ZN-C02

10. Removing the Bumper Upper Cover

- (1) Remove the Plastic Clips (3 pcs), and remove the Bumper Upper Cover.



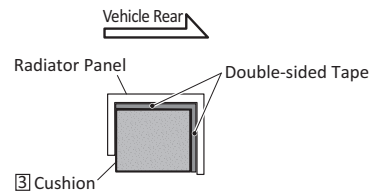
TG-ZN-C03

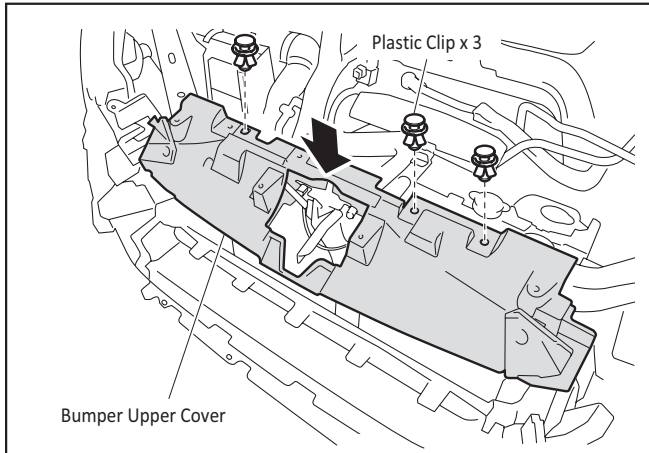
11. Installing the Cushions

- (1) Clean the Cushion application position on the back side of the Radiator Panel with Degreaser.
- (2) [5] Apply the Cushion.

NOTE

Apply the Double-sided Tape facing the top and side of the panel facing the rear of the vehicle.

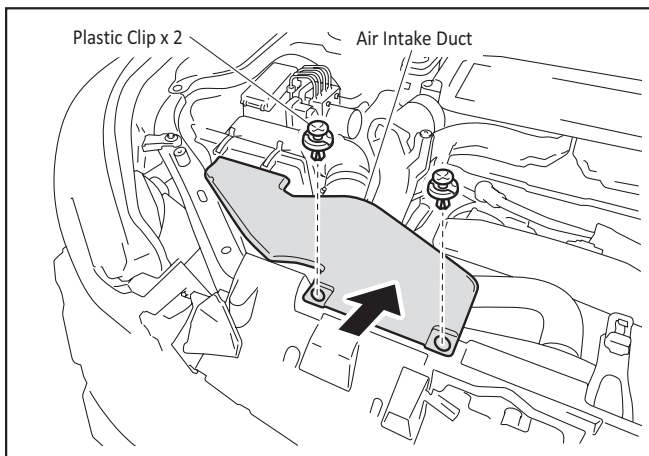




TG-ZN-C04

12. Reinstalling the Bumper Upper Cover

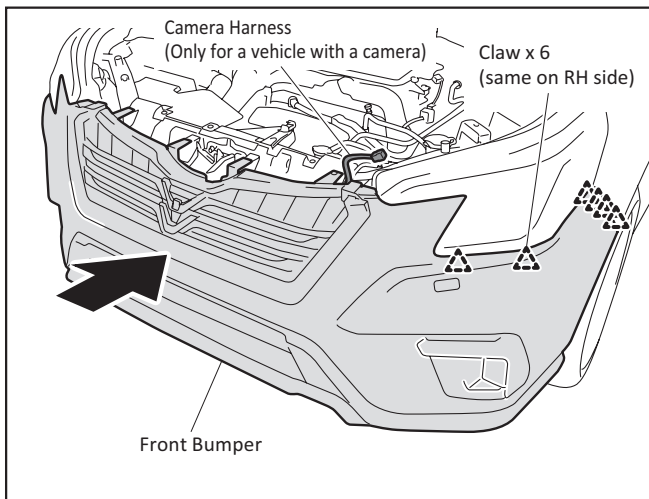
- (1) Install the Bumper Upper Cover with the Plastic Clips (3 pcs).



TG-ZN-C05

13. Reinstalling the Air Intake Duct

- (1) Install the Air Intake Duct with the Plastic Clips (2 pcs).



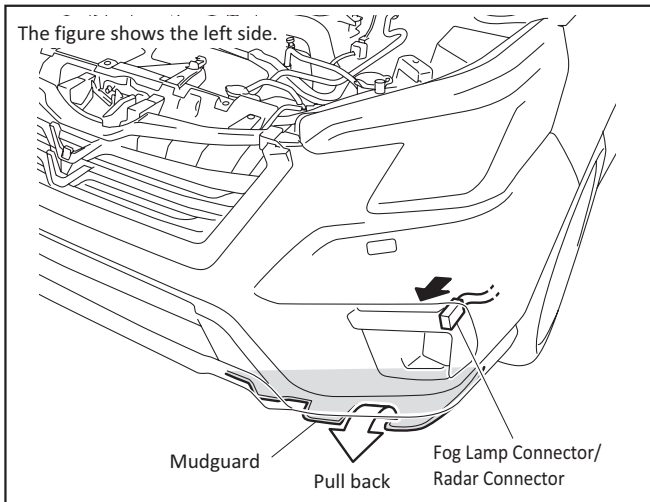
TG-ZN-C06

14. Reinstalling the Bumper Upper Cover

- (1) Engage the Claws (12 places) and reinstall the Front Bumper.

⚠ CAUTION

- (1) Check that the Front Bumper Claws are set in the correct position before pushing them in to engage them. Not doing so may damage the Front Bumper.
- (2) For vehicles with a camera, face the camera harness toward the engine room so that you will be able to connect it.



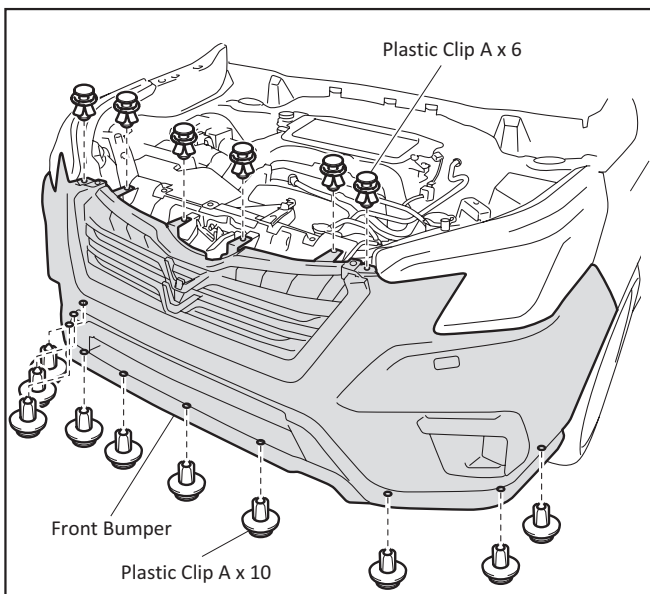
TG-ZN-C07

- (2) Pull back the Mudguard and connect the Fog Lamp Connector/Radar Connector.

⚠ CAUTION

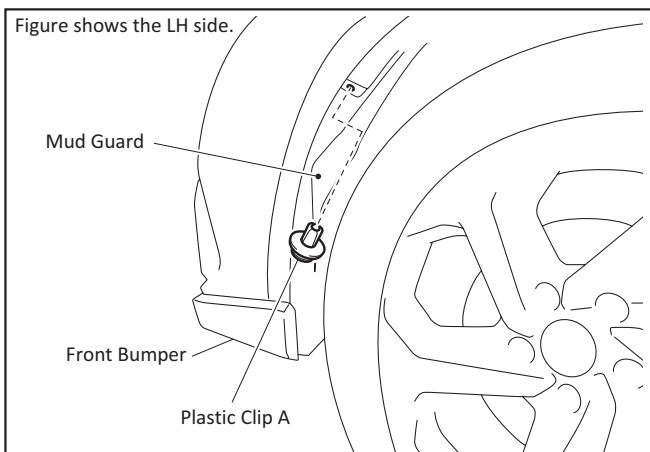
Check the orientation of the Fog Lamp Connector/Radar Connector and insert it until it makes a clicking sound. The Fog Lamps will not turn on if the connector is not connected correctly.

- (3) Repeat the same procedure for the right side.



TG-ZN-C08

- (4) Secure the Front Bumper with Plastic Clip A (bottom 10 pcs) (top 6 pcs).

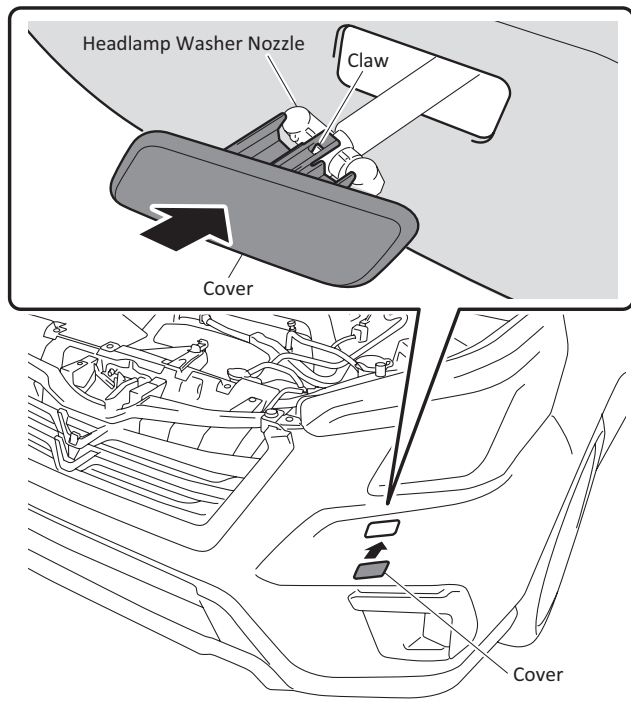


TG-ZN-C09

- (5) Secure the Front Bumper with Plastic Clip A (1 pcs).

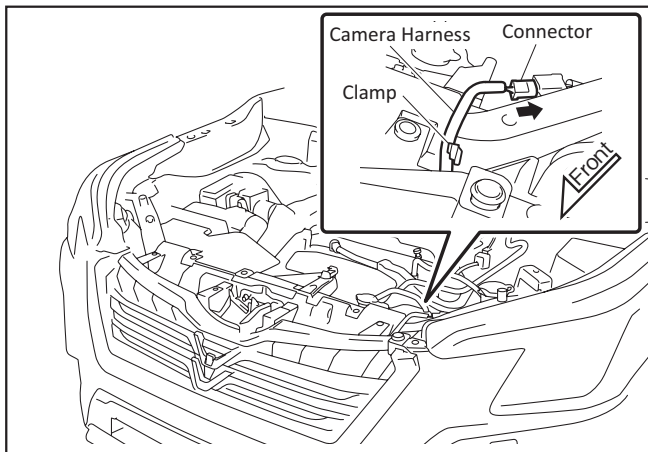
- (6) Repeat the same procedure for the right side.

Figure shows the LH side.



TG-ZM-C10

- (7) If equipped, with the Headlamp Washer Nozzle pulled out, engage the Claw to attach the cover.
- (8) Repeat the same procedure for the right side.



TG-ZN-C11

15. Connecting the Camera Harness <For vehicles with a camera>

- (1) Connect the Connector and Clamp on the Camera Harness.

Post-installation Inspection

- (1) Remove all the Protective Tape.
- (2) For vehicles with Fog Lamps, reconnect battery terminal. Refer to owner's manual.

Inspection Procedure

- (1) Check that the Fog Lamps turn on.
- (2) Check that the camera images are displayed correctly on the multifunction display.
- (3) Re-check that the Plastic Clips and Bolts are not loose, and the parts are properly secured, not scratched, or dirty.

Revision History

Revision	Revision Date	Revision details