

General Notes

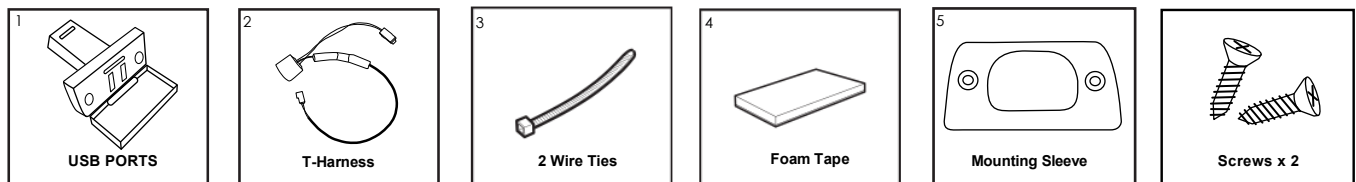
- Read through the fitting instructions before installation of the accessory. Install the accessory following the fitting instructions. Failure to do so may cause damage to the vehicle or the accessory.
- Ensure all recyclable discarded vehicle accessory components and packaging are recycled following local recycle regulations.
- It is always recommended that this accessory is fitted by a qualified automotive technician.
- Safely store and protect any removed vehicle components.

Safety Notes

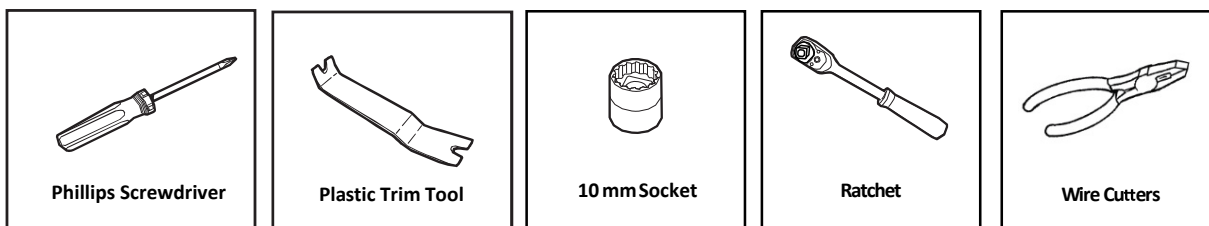
- Check that all work practices comply with safety standards.
- Please wear appropriate clothing and use safety equipment.



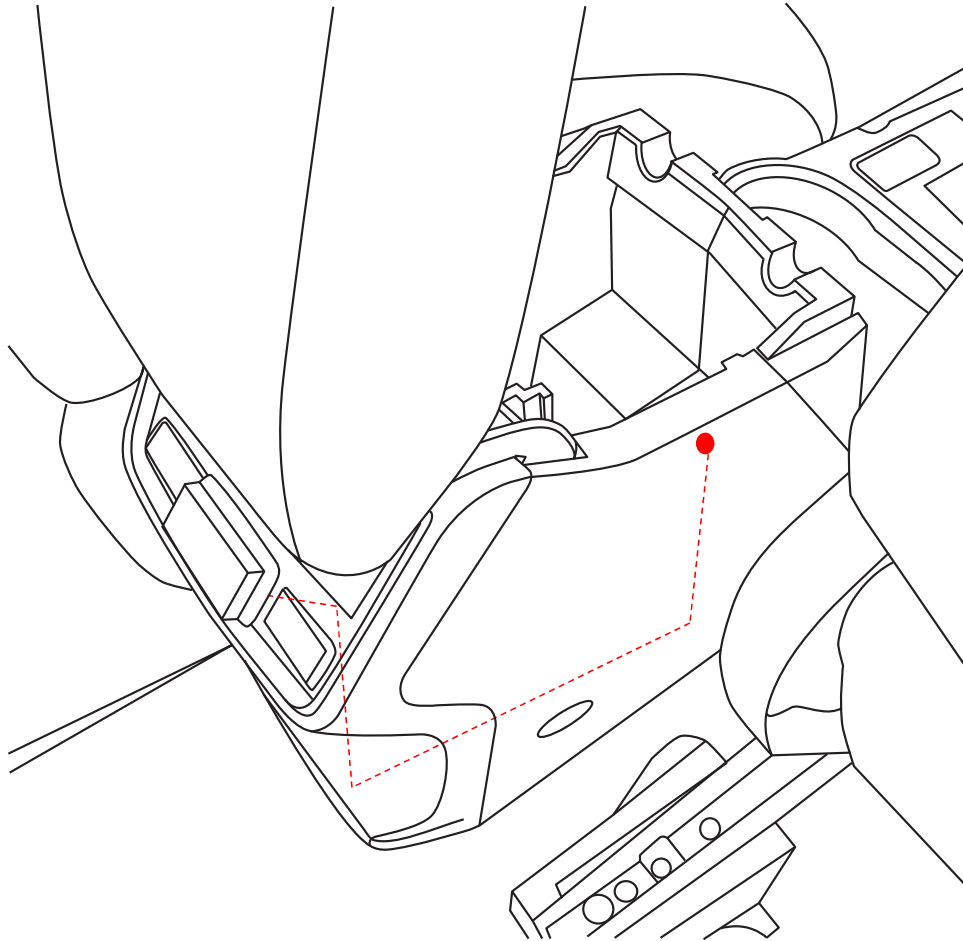
Parts Supplied



Tools Required

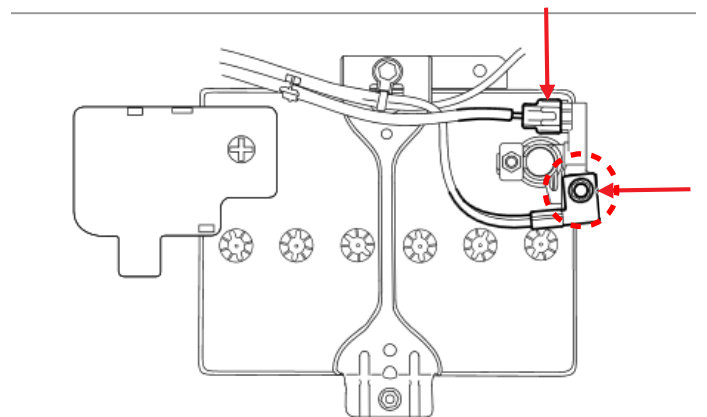


WIRING GUIDE

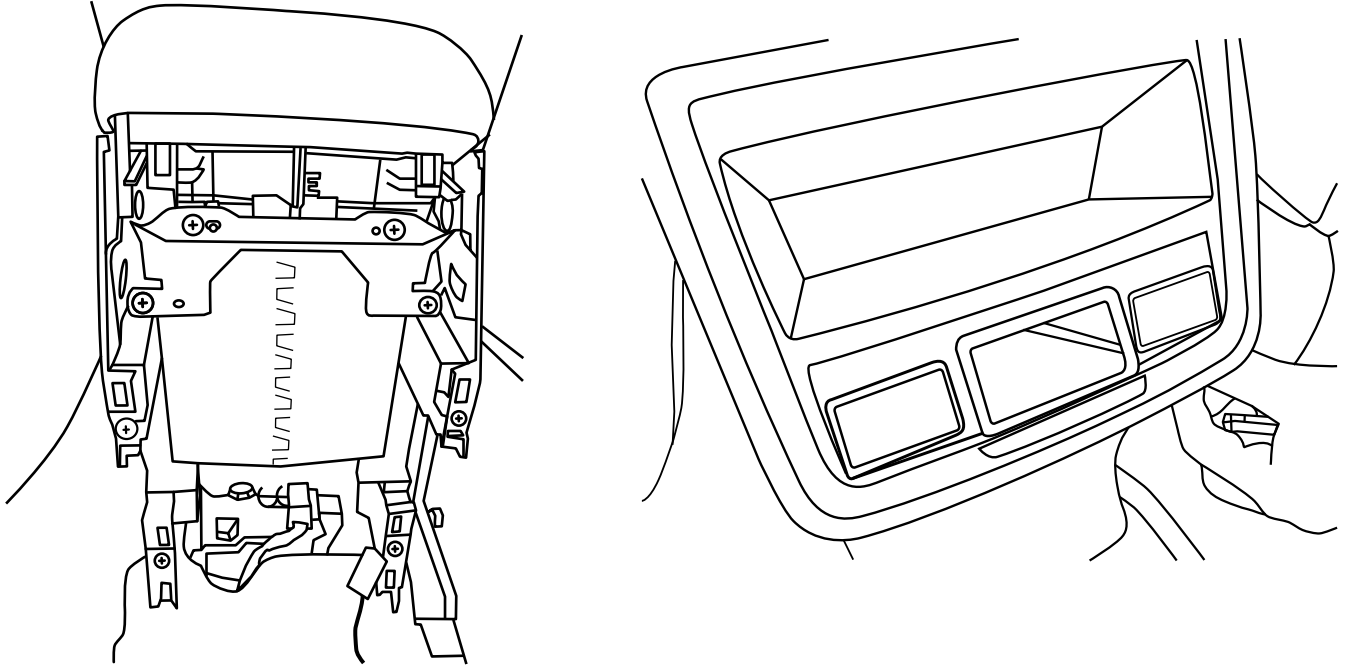


1. Disconnect the Negative (-) battery cable from the battery sensor terminal. Hold the battery sensor carefully removing the 10mm nut.

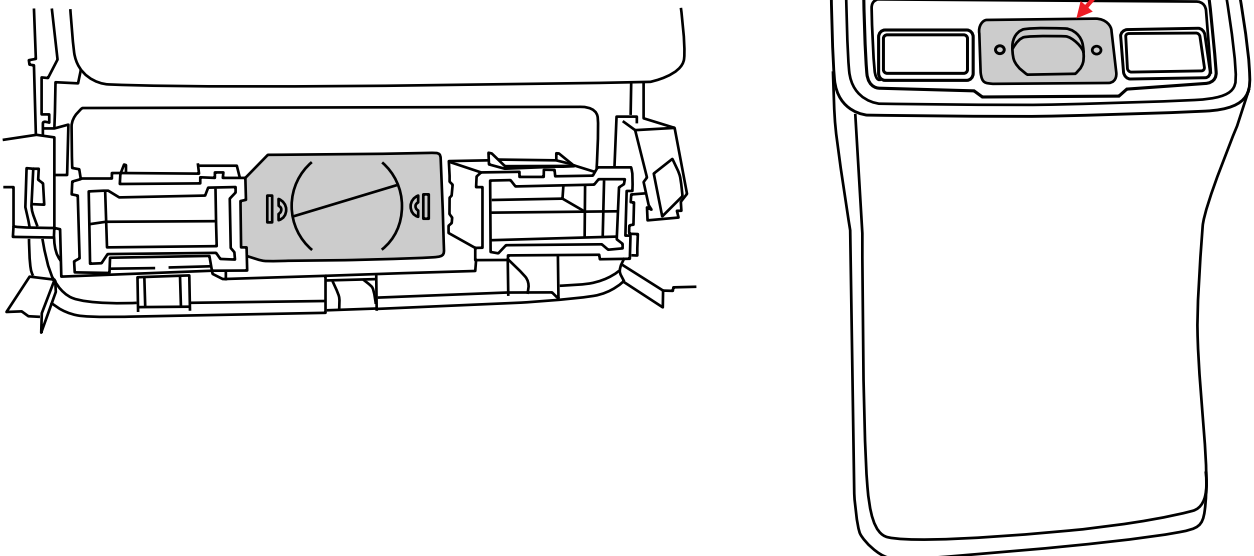
NOTE:
Vehicles equipped with rear seat A/C vents please skip to Step 12. If vehicle does not have rear A/C vents proceed to the next step.



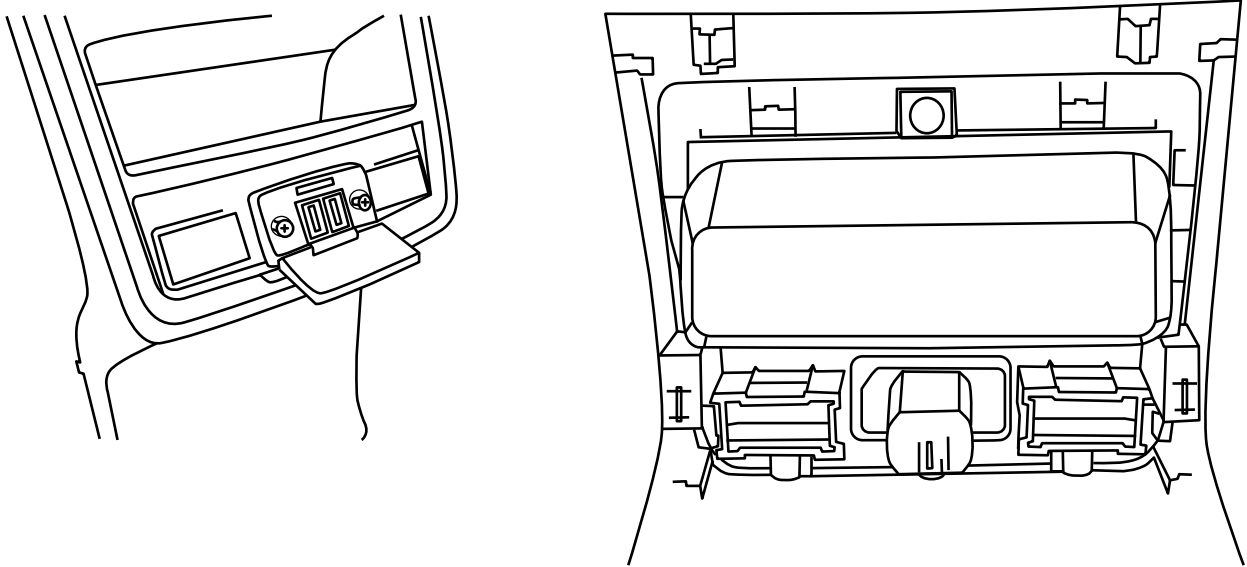
-
2. Remove center console rear trim panel using a trim tool. Remove the center plug cap in the panel and discard.



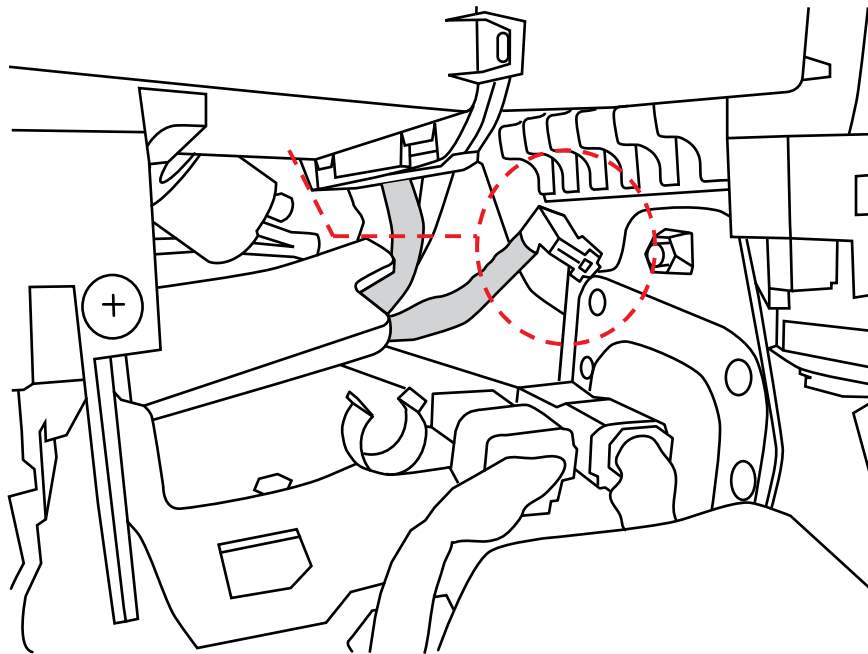
-
3. Insert the included USB mounting adapter into the center opening. Press firmly to snap it into place.



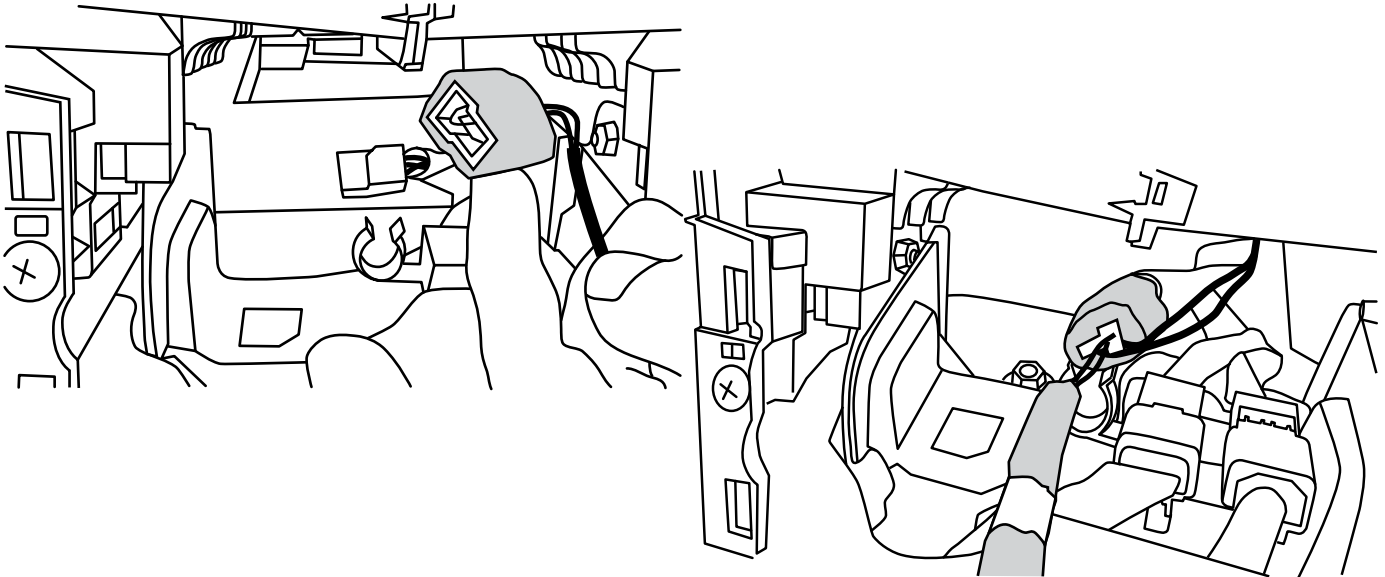
- Slide the USB Charging Port Assembly into the mounting adapter, and attach using enclosed screws.



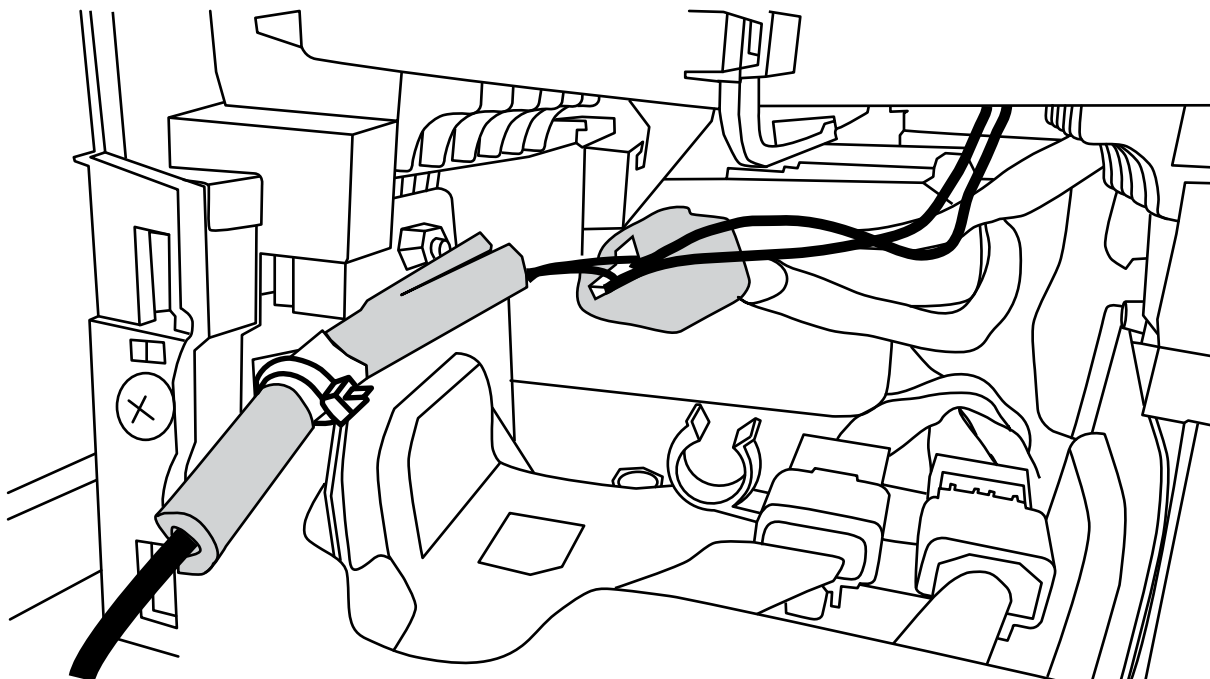
- Reach under the center console to disconnect the OE 2-pin black connector from the 12V power outlet.



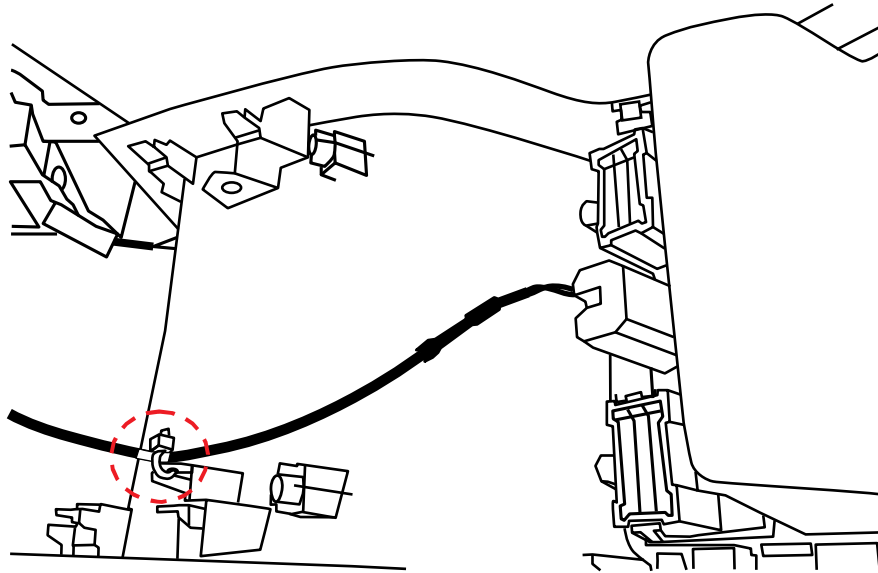
6. Connect the black connector to the white foam-wrapped connector on the USB power harness. Press firmly to confirm the terminal lock. Plug the black connector of the USB power harness into the OE 12V power outlet.



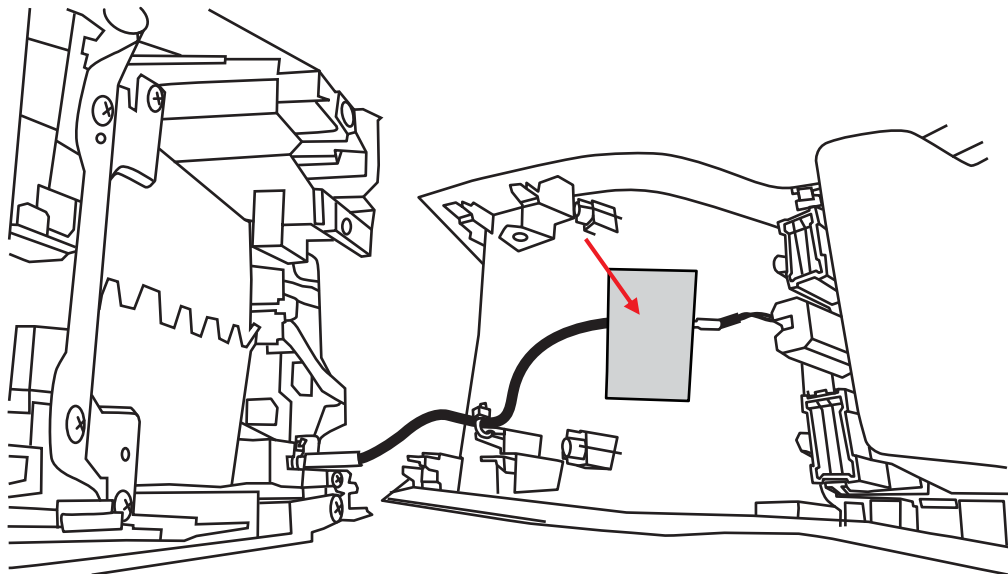
7. Secure the USB power harness to the bottom edge of the center console using a wire tie at the white tape location as shown.



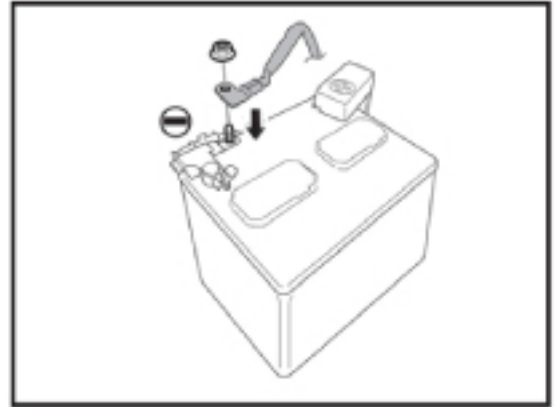
8. Plug the USB Power Harness into the bottom of the USB Charging Port Assembly. Use a wire tie to secure the USB power harness at the white tape mark to the rear trim panel at the loop in the location shown.



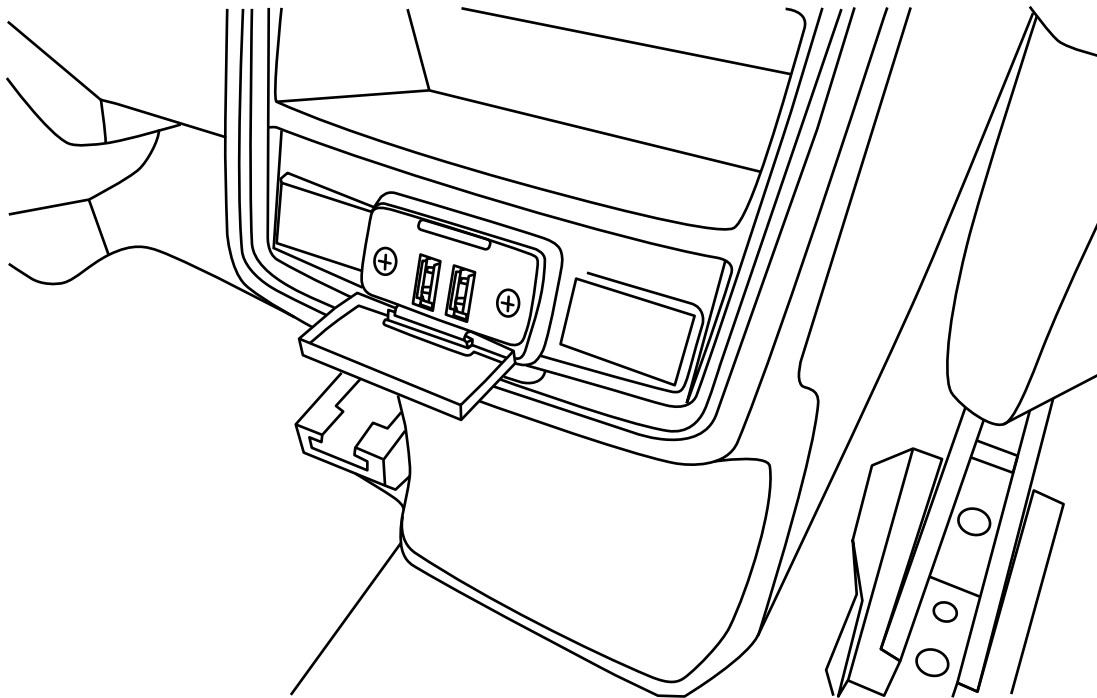
9. Use a piece of foam tape to secure the USB Power Harness flat against the inside of the rear trim panel as shown.



-
10. Re-install all panels and reverse order of removal. Reconnect negative battery terminal.
Note: Make sure all clips are fully engaged.

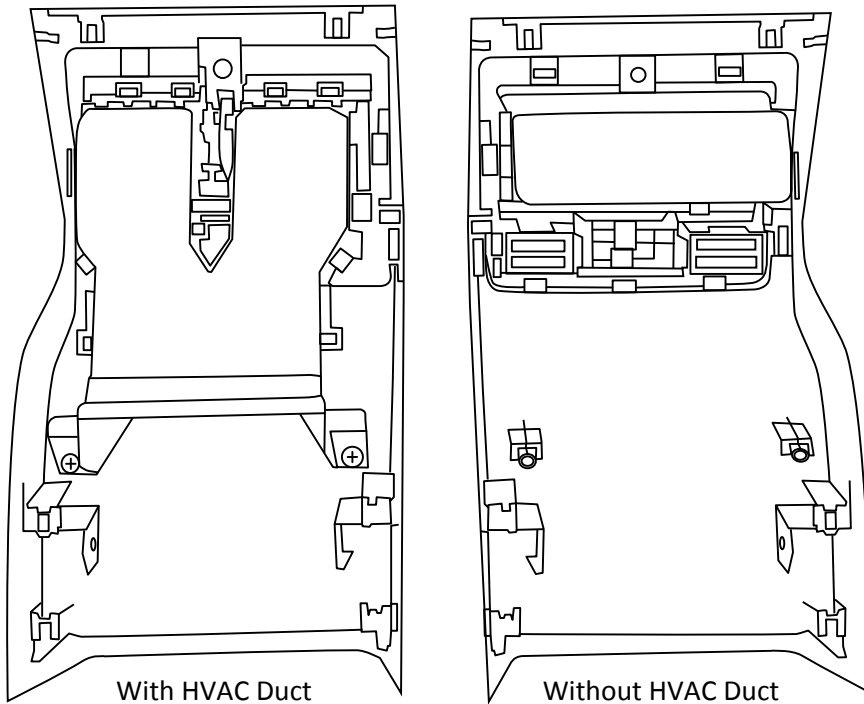


-
11. Test both the USB Charging Ports and 12V power outlet and reassemble the rear trim panel.



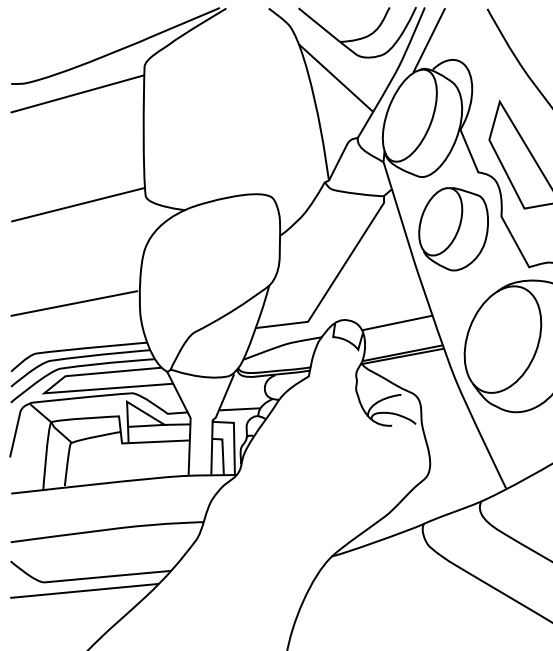
Models with Rear HVAC

Some Forester models may have rear HVAC vents in the center console. Steps 12-25 should be used for vehicles with rear HVAC only.

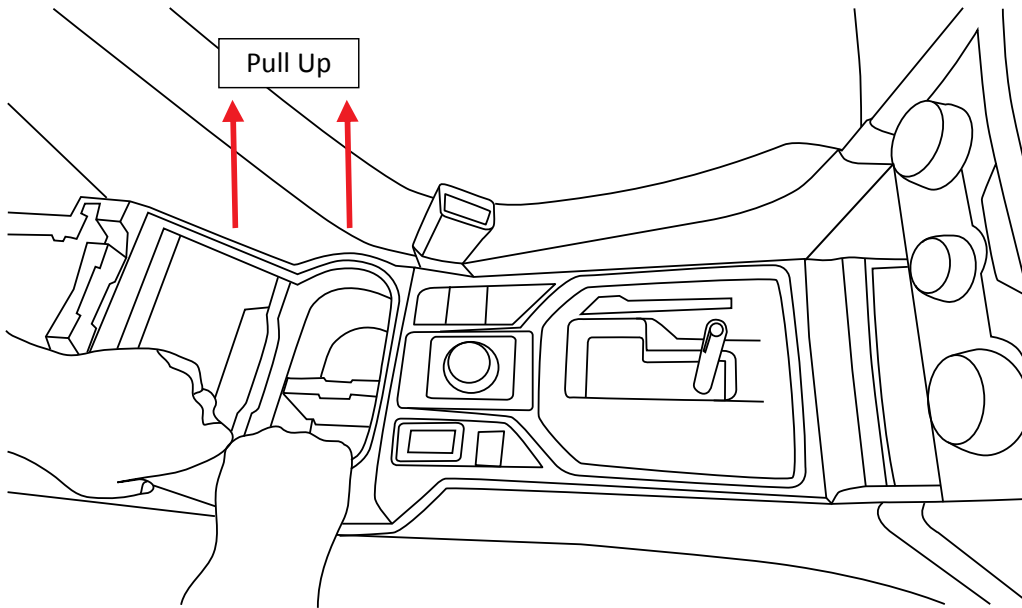


Back of Rear center console trim panel with HVAC vents and ducts shown on left, without shown on right.

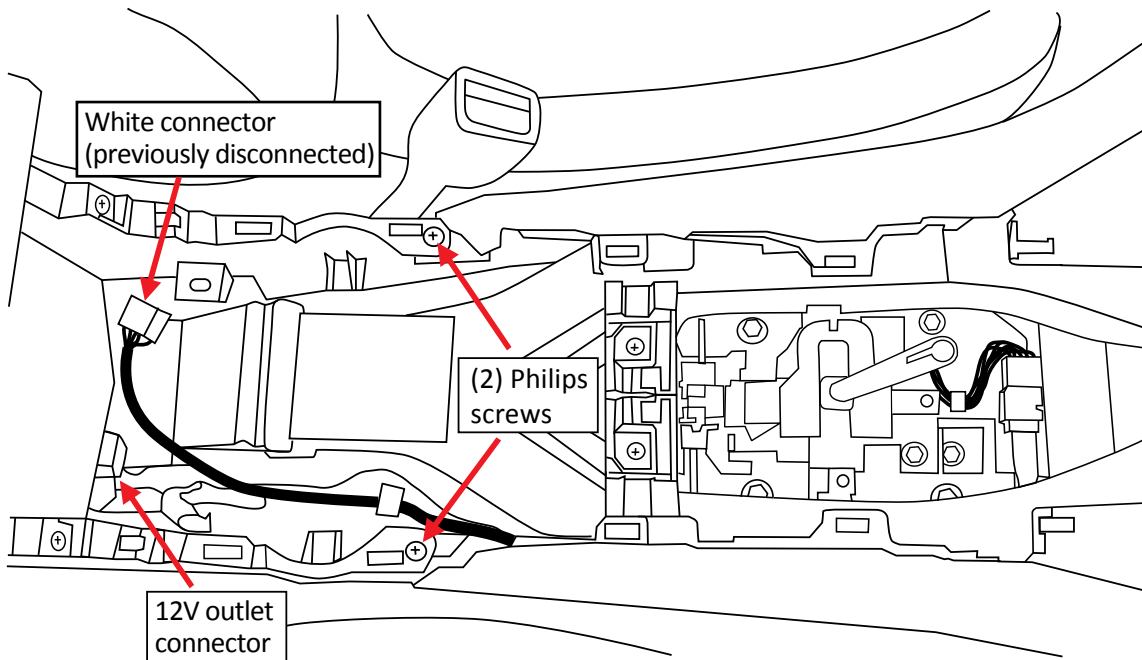
12. Follow the service manual to remove the shift knob.



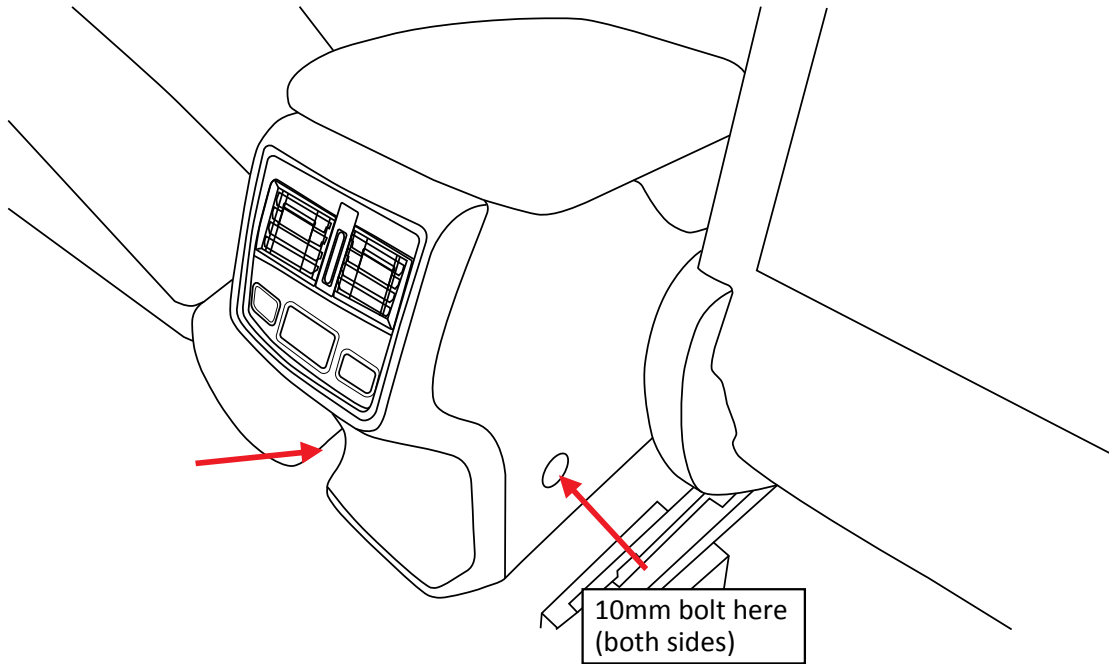
-
13. Pull up on the upper console at the cupholder area to release it from the lower console.
Disconnect the 20-pin connector below the cupholders and remove the console from the vehicle.



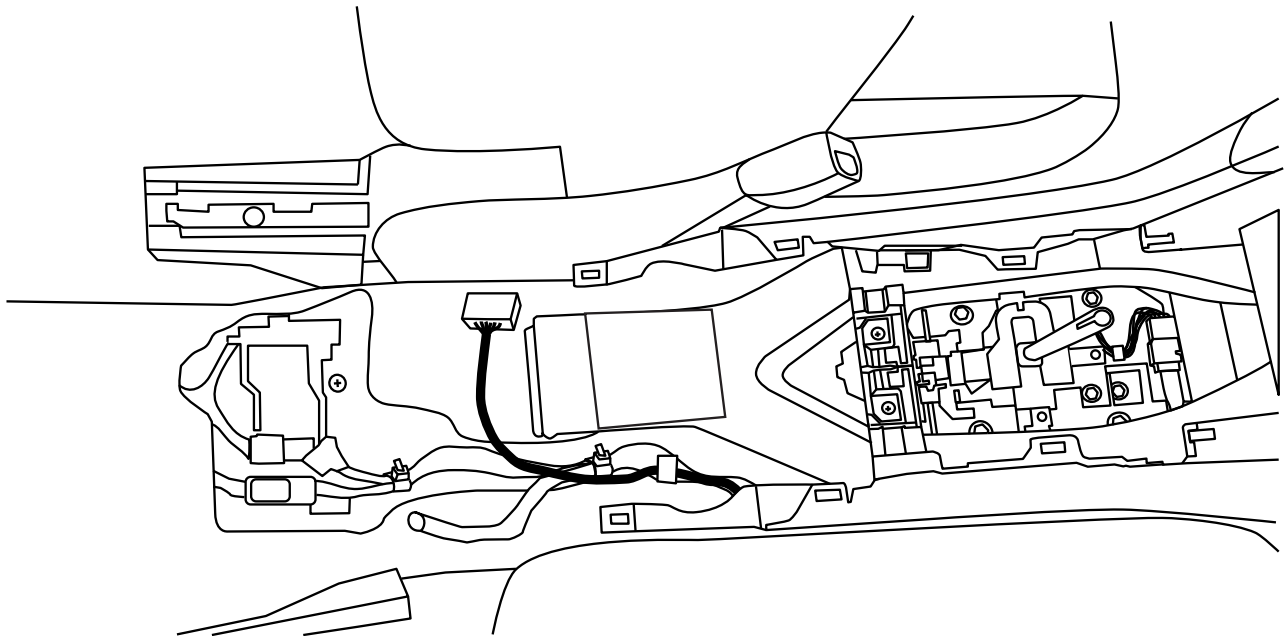
-
14. Remove (2) Philips screws securing the rear section of the floor console to the front section.
Disconnect the black 2-pin 12V power outlet connector.



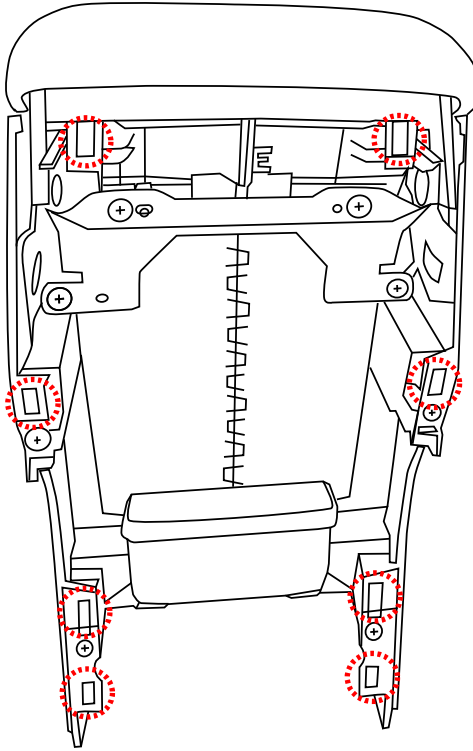
15. Remove (2) 10mm bolts (under plastic trim covers) securing the console box assembly to the vehicle.



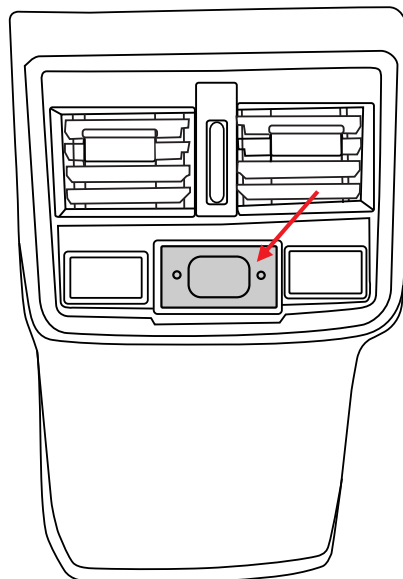
16. Remove the console box from the vehicle.



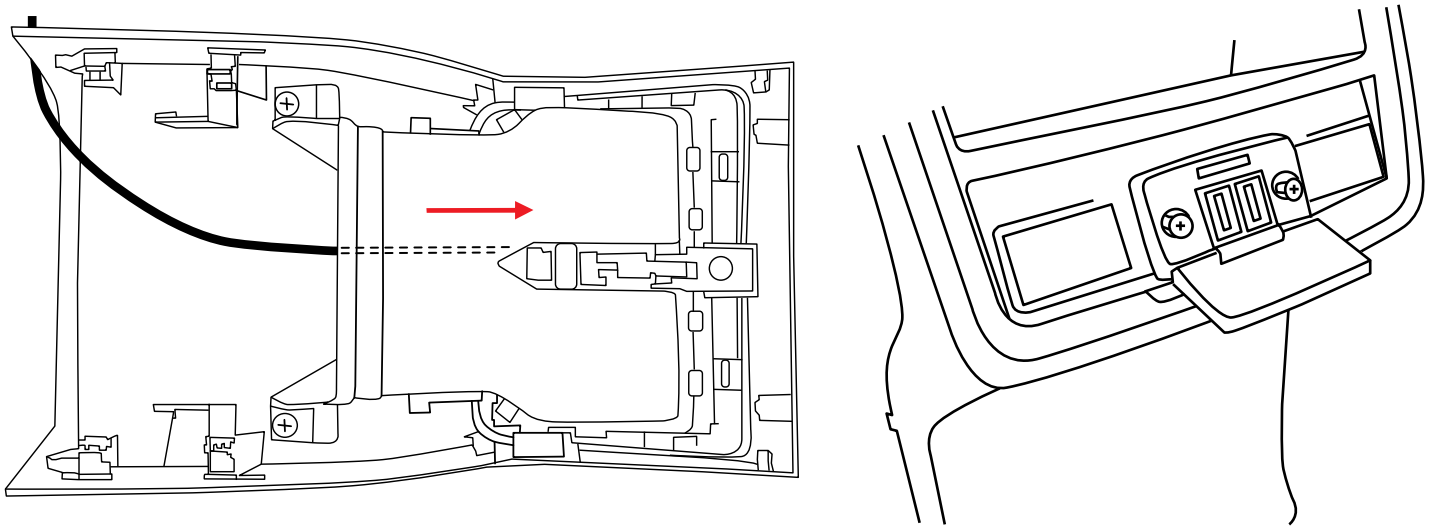
-
17. Remove the rear cover of the console box by disengaging the (8) clips and lifting upward to unseat the air duct.



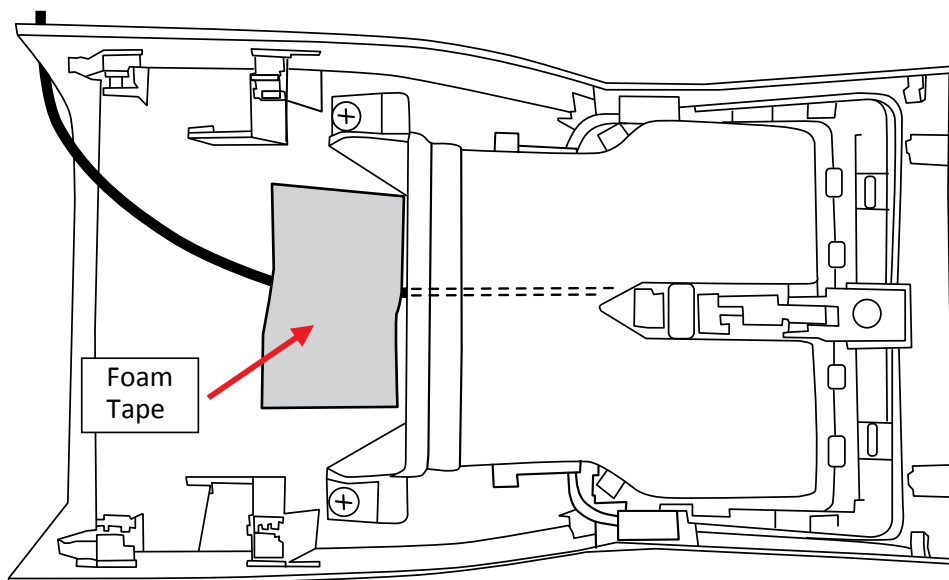
-
18. Remove the knockout plug beneath the air vents on the rear console trim panel. Insert the included USB mounting adapter into the center of panel. Press firmly to snap it into place.



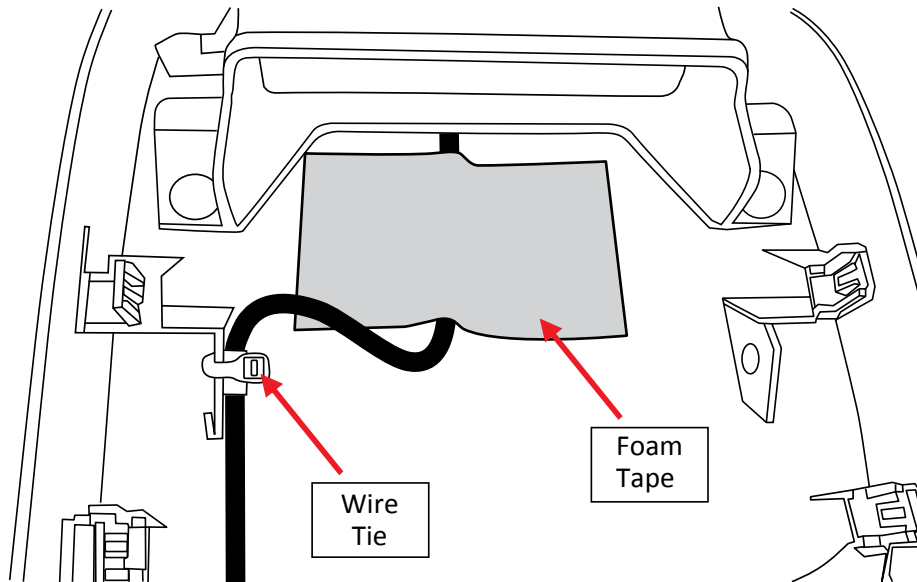
-
19. Route the USB power harness under the air ducts on the back of the rear console trim panel to the opening for the USB port. Connect the 2-pin connector to the USB Charging Port assembly. Insert the assembly into the mounting adapter and secure with included (2) Philips screws.



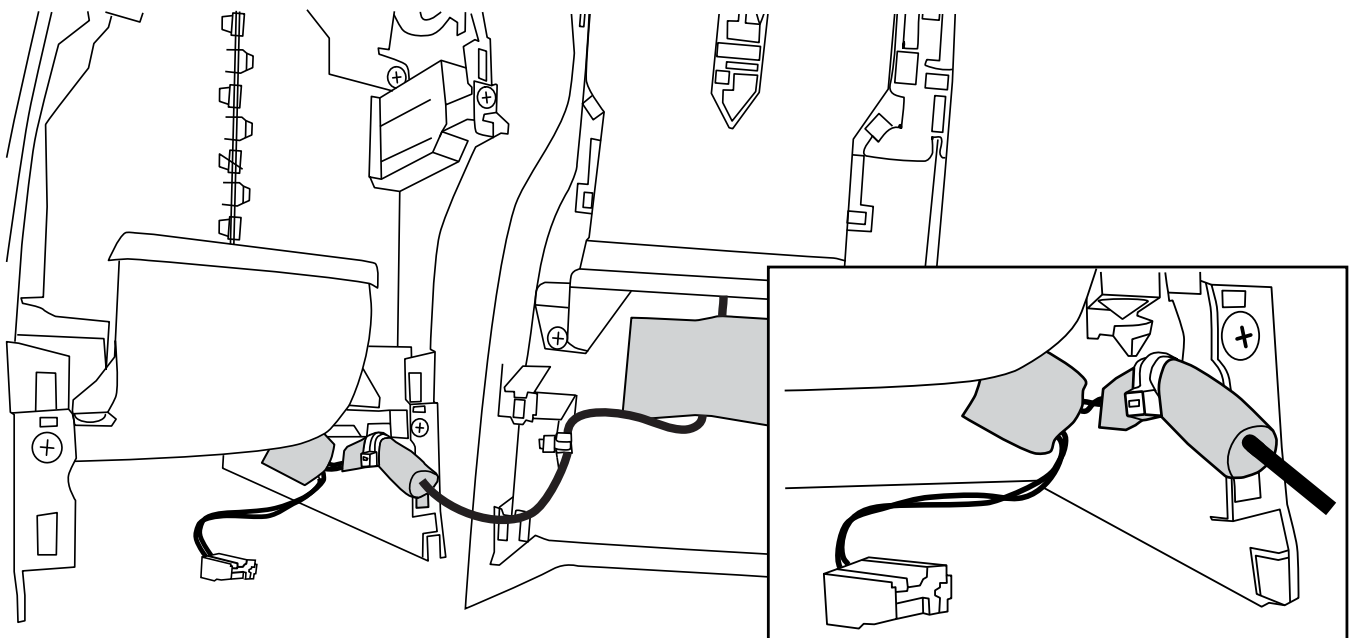
-
20. Use the supplied foam tape to secure the harness to the rear console trim panel as shown.



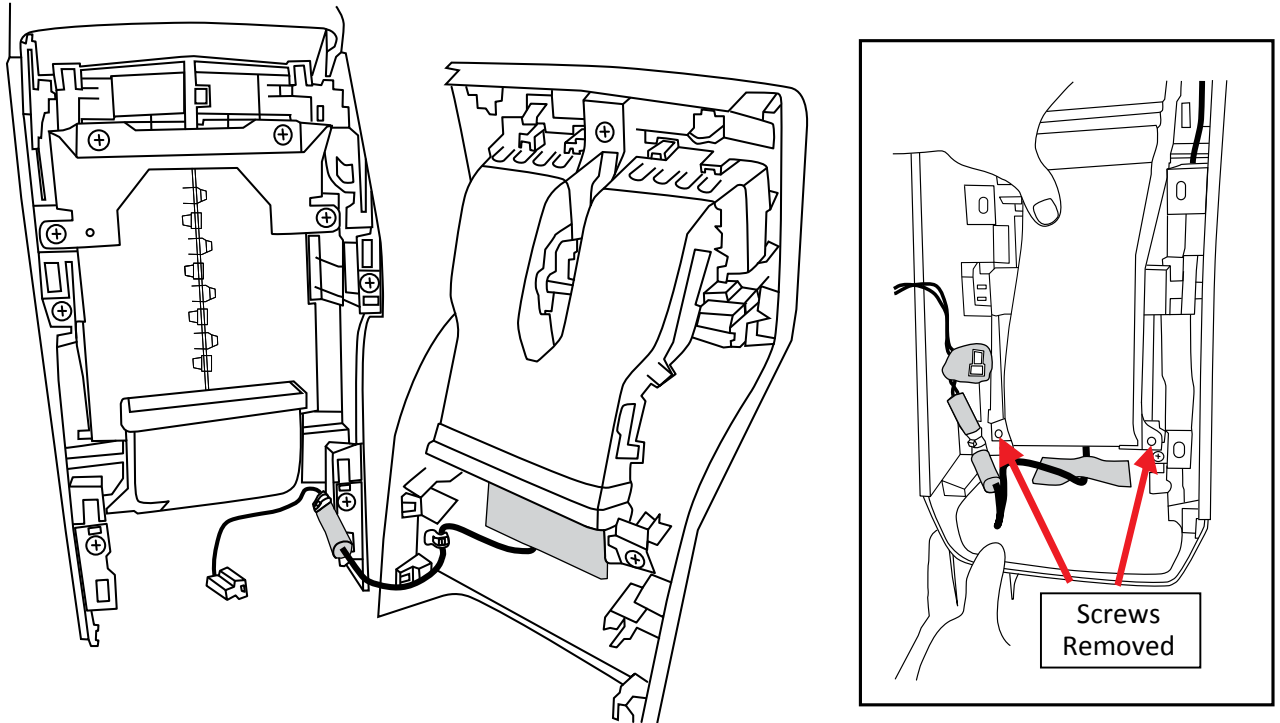
21. Use (1) wire tie to secure the USB harness at the first white tape mark to the hole on the left (when viewed from behind) of the rear console trim panel.



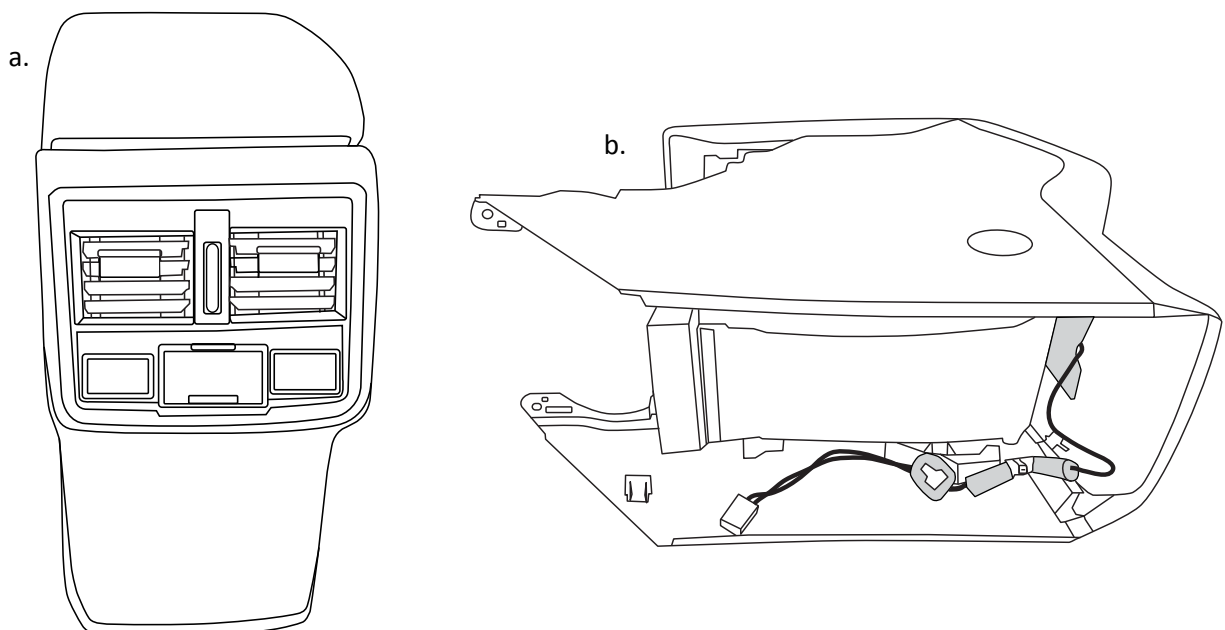
22. Use (1) wire tie to secure the USB harness at the second white tape mark (on foam wrap) to the tab below the lower air duct on the console box. The harness should be secured to the right (passenger side) of the console box as shown.



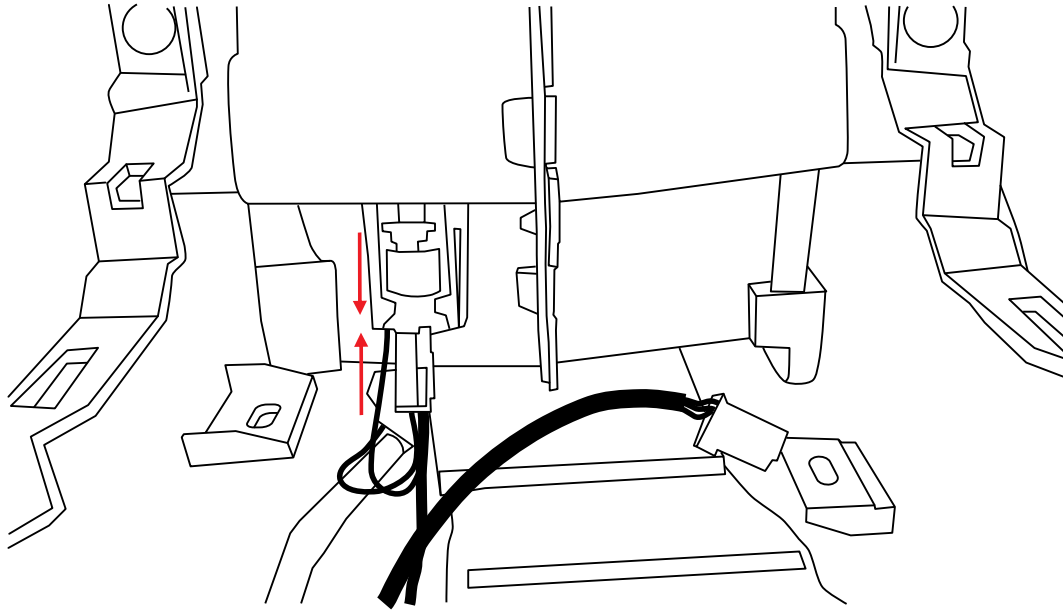
23. Reinstall the rear console trim panel to the console box by aligning the (8) clips and air ducts.
Tip: It may be easier to align the air ducts by loosening or removing the (2) Philips screws on the lower duct.



24. a. Verify that the USB Charging Port is secure and properly aligned in the panel.
b. Verify that the harness is properly routed on the right side of the console box assembly.



-
25. Connect the USB Power Harness to the 12V Power Outlet in the console box. Replace the console box into the vehicle. Connect the white foam-wrapped connector to the vehicle's black 2-pin 12V Power Outlet connector.



**END OF ADDITIONAL STEPS FOR VEHICLES WITH REAR HVAC VENTS.
MOVE ON TO STEP 10 OF EXISTING INSTRUCTIONS.**