



SUBARU

**EN: CIGARETTE LIGHTER KIT
WRX/WRX STI**

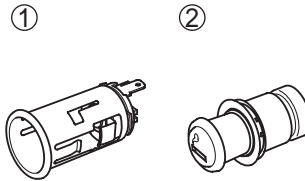
Installation Instruction

PART No.

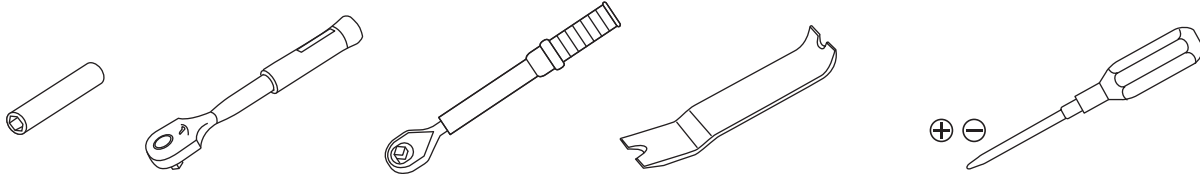
H6710FJ000

EN : COMPONENTS

No.	Name	Qty
①	Socket ASSY	1
②	Plug	1



TOOLS NEEDED



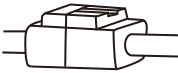
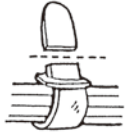


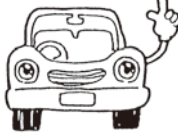
PRECAUTIONS

- Please refer to the precautions below before you begin work, in order to install the product safely and accurately. Please also refer to the vehicle Service manual.



ATTENTION

	<ul style="list-style-type: none"> • Please disconnect the battery cable while conducting wiring operations. Failure to do so may result in electrical shock or injury.
	<ul style="list-style-type: none"> • Please confirm that the electrical components of the vehicle operate normally. Also, please make a note of data in the memory of the electrical components such as the radio. This will help avoid problems that may arise when performing the repair check after the installation.
	<ul style="list-style-type: none"> • When tightening bolts or screws, use the proper tools and the proper size, and comply for the specified torque specified for the part. Failure to securely tighten the bolt and nut may cause them to loosen and fall off, causing damage.
	<ul style="list-style-type: none"> • When removing the connector from the vehicle, remember to remove the lock that holds the main body of the connector, instead of pulling the lead line. This protects against a lead wire cuts, etc.

	<ul style="list-style-type: none"> • Please be sure to properly connect the connector and terminal. This helps to avoid a poor connection.
	<ul style="list-style-type: none"> • When wiring the harness(wiring), clamp the wires together along with the wiring harness of the vehicle. This protects the harness from becoming entangled or causing strange sounds.
	<ul style="list-style-type: none"> • When connecting or disconnecting parts or installing or removing the finisher, etc, be careful not to let the harness be hooked or pulled from the back. This protects against a cut wire or shorts.
	<ul style="list-style-type: none"> • Be careful not to forcefully pull the wiring harness of the vehicle. This helps prevent the connector from being disconnected, and the wires from being cut or damaged.
	<ul style="list-style-type: none"> • After installing the wiring, perform an operations check on the newly installed parts before reassembling. This helps prevent mis-wiring.

BEFORE BEGINNING INSTALLATION

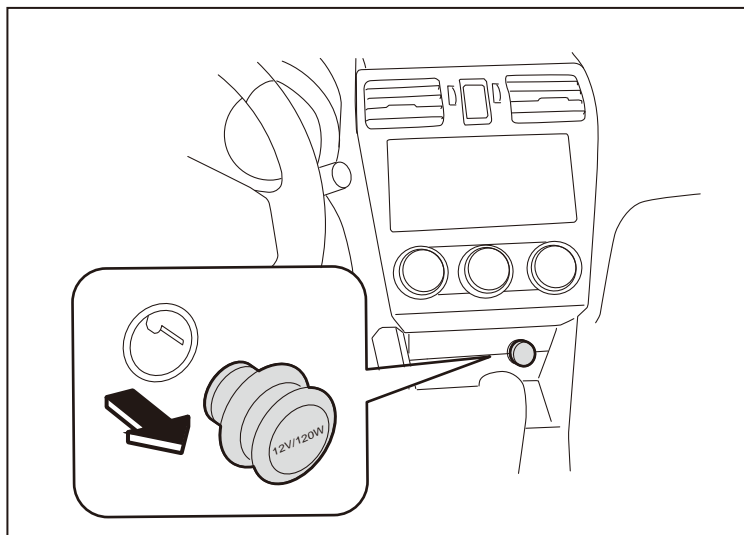
1. Apply parking brake firmly and shift the selector lever in N range.
2. Disconnect the battery negative cable.

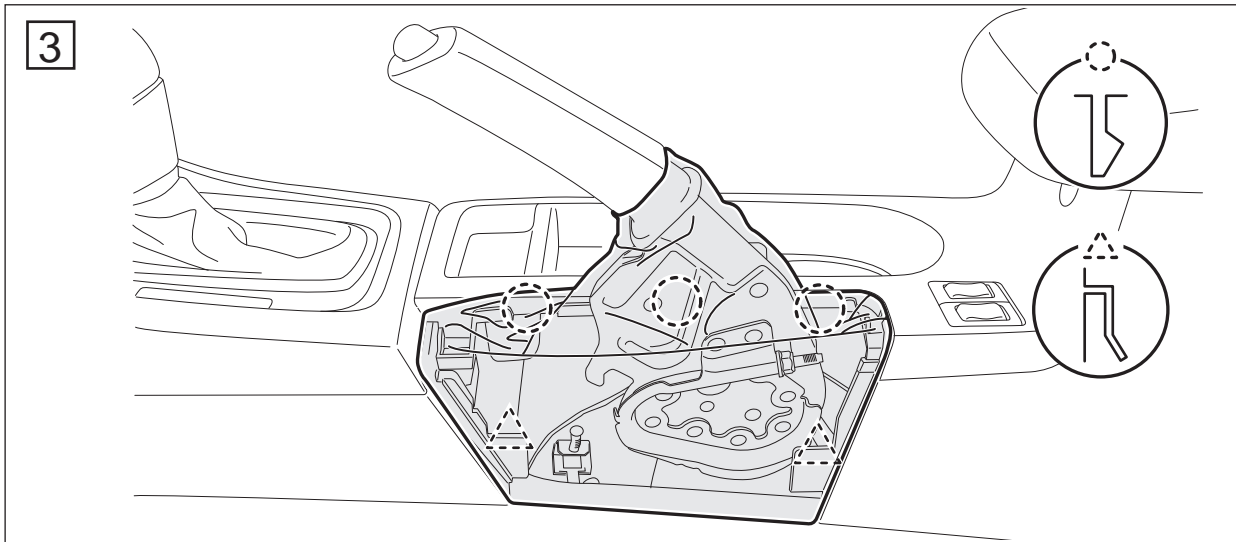
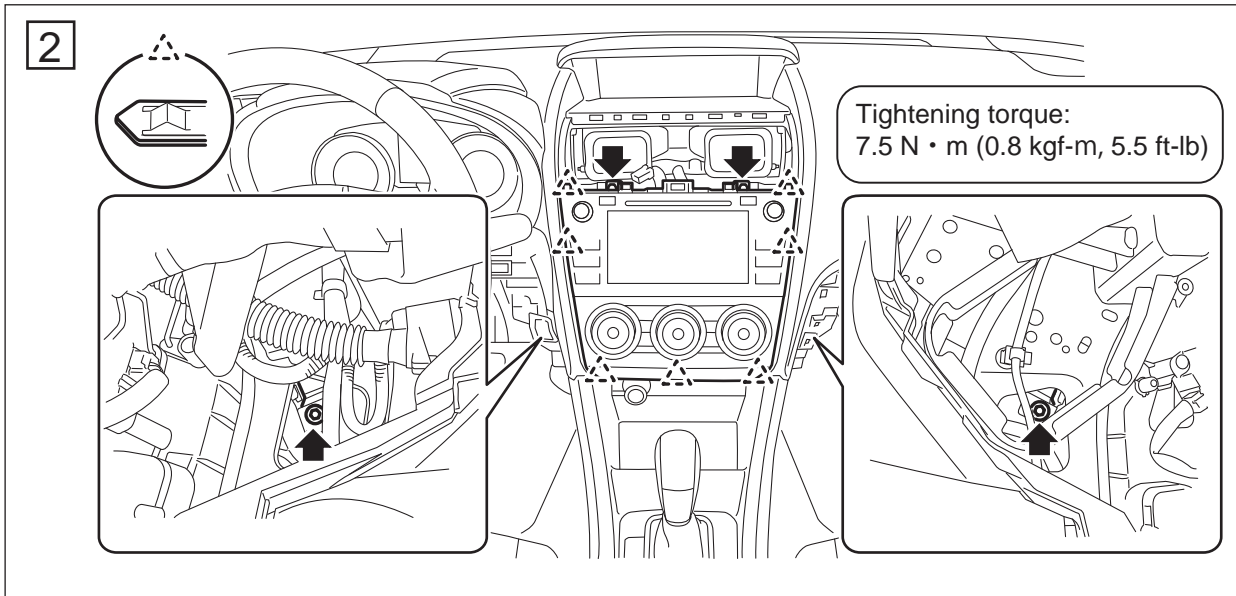
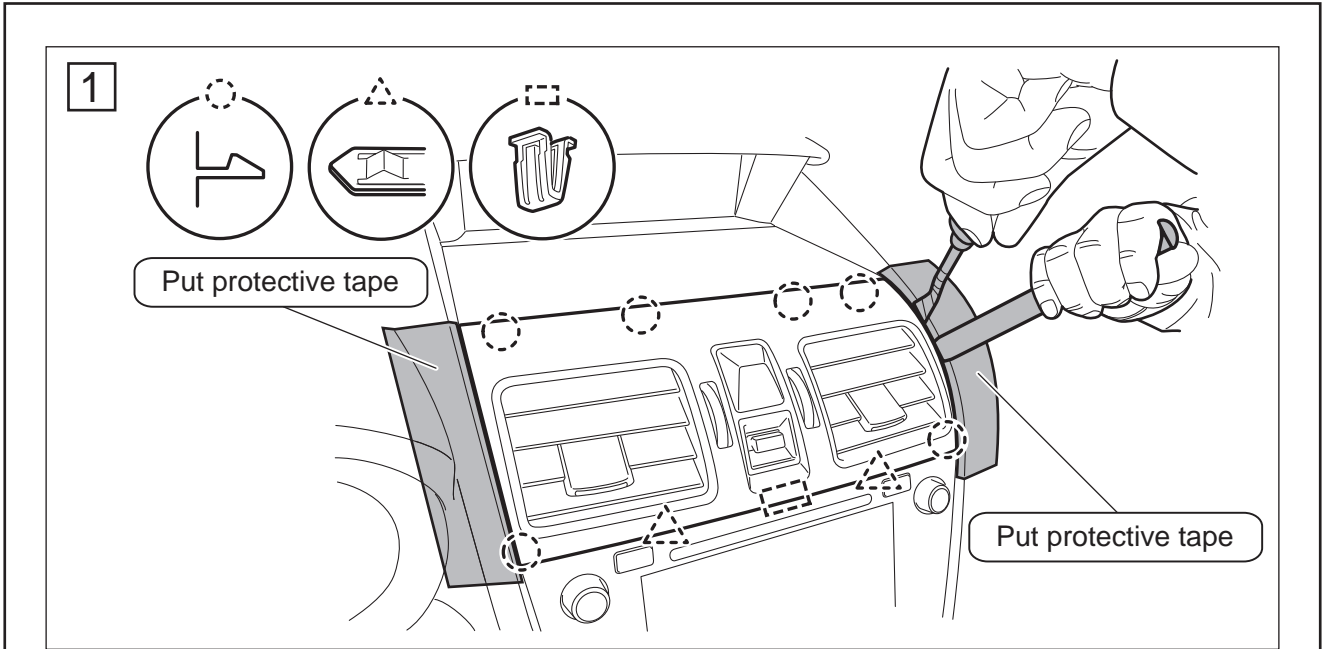
MOUNTING THE CIGARETTE LIGHTER (REPLACING WITH ACCESSORY SOCKET)

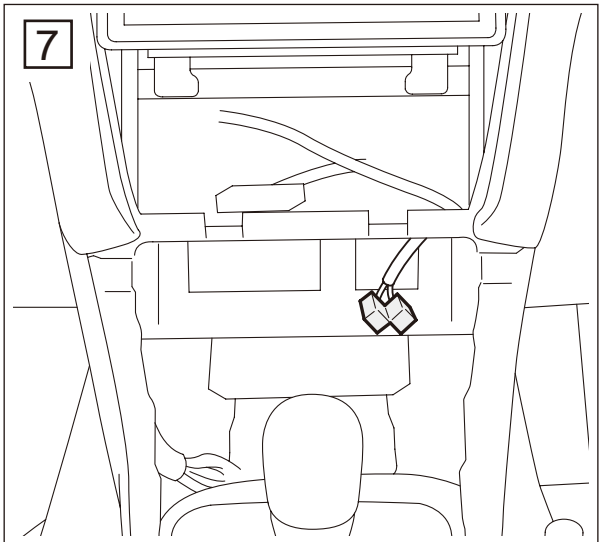
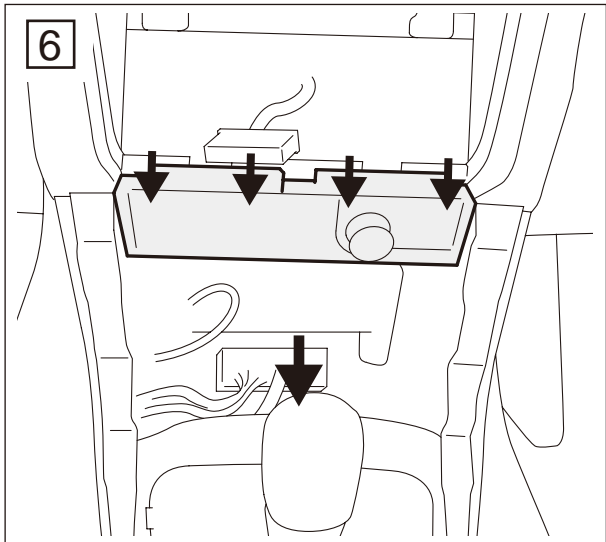
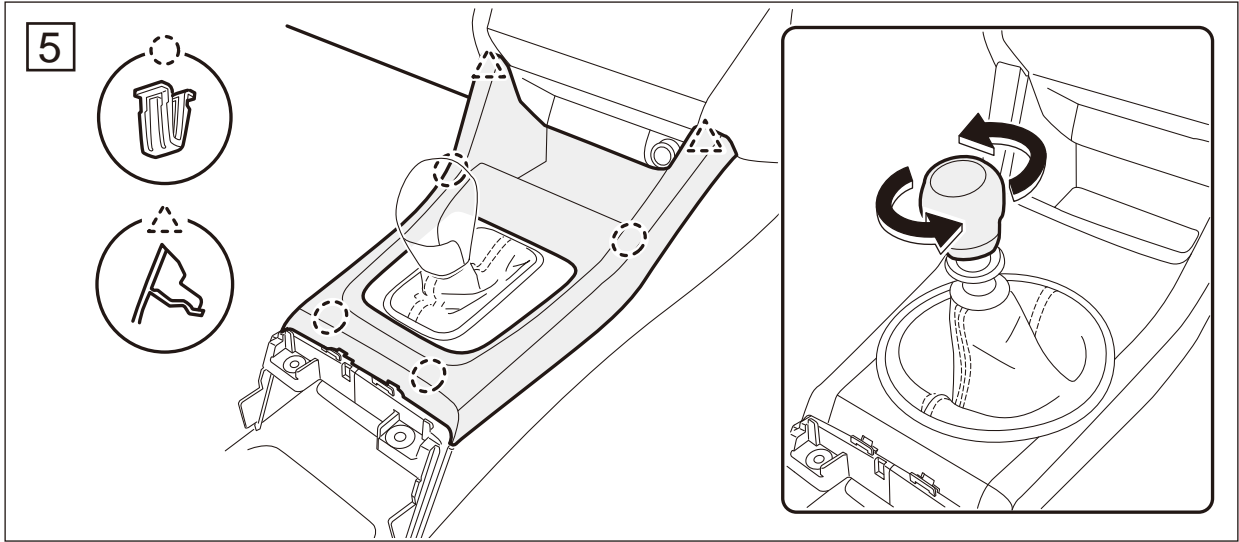
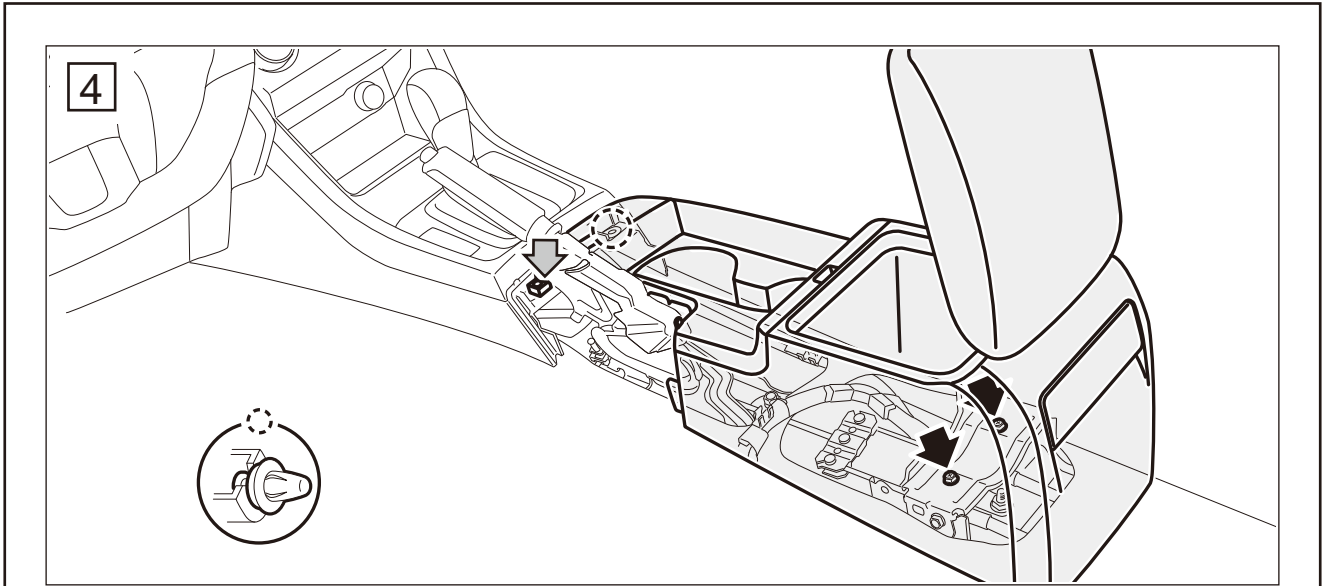
1. Removing associated parts



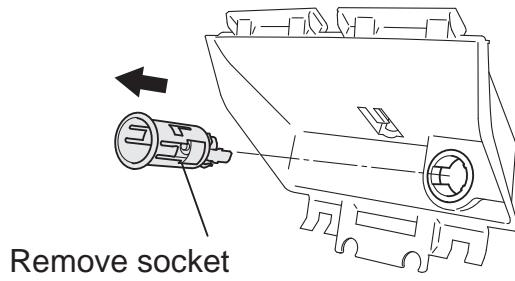
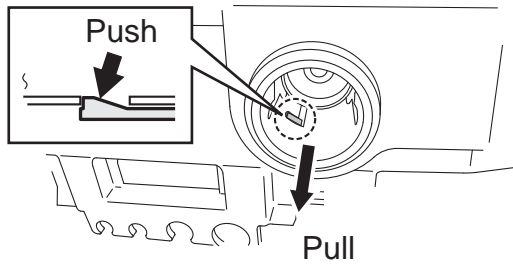
- Upon removal, wrap the screwdriver with vinyl tape to avoid scratching the ornament panels.



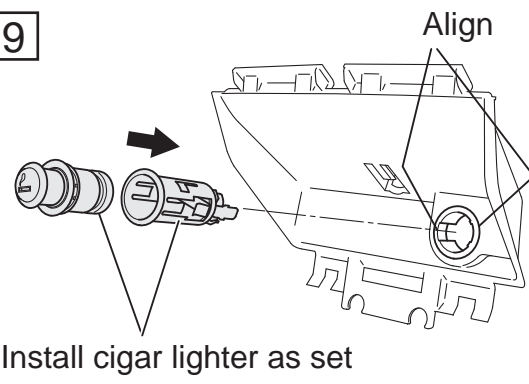




8



9



Re-install the removed parts