



SUBARU

DOOR PROJECTOR LIGHT

SUBARU BRZ 2024MY ~

Installation Manual

PART NO. H4610CC000

For installers



Important

- We recommend that this product should be installed by a Subaru dealer. Damage and injury resulting from improper assembly will not be warranted.
- When installing or removing vehicle parts, pay careful attention not to damage the parts.
- Ensure that the harnesses are wired safely and properly so that a short circuit does not occur, for example, due to a contact with a sharp edge of a body panel.
- For details on how to remove and install vehicle parts, refer to the service manual.

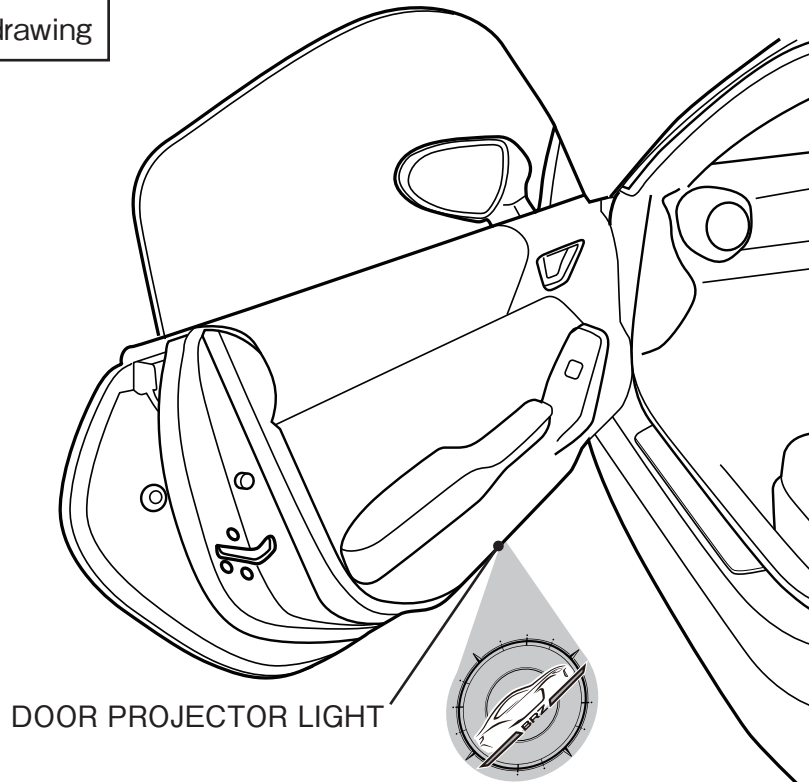
Warning · · · Be sure to observe the following for safety. Failure to observe these instructions could lead to danger to life or serious damage.

- Perform this work in a sufficiently spacious and flat space while paying attention to safety. Also, perform this work with the shift knob in neutral or parking, the parking brake set, the engine stopped, and the key removed.
- Avoid performing this work in an area exposed to rain, etc. Working with wet hands is very dangerous, as doing so could lead to an electric shock. Also, provide adequate ventilation and pay adequate attention to prevent accumulation of exhaust gas etc.

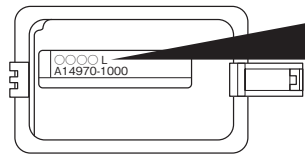
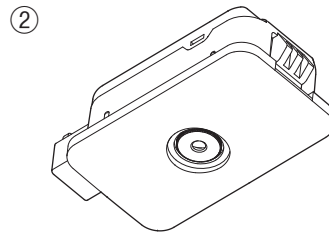
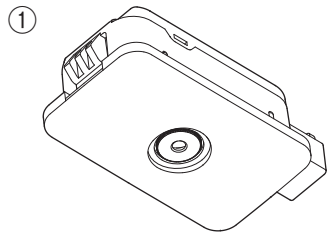
Caution · · · When using or installing this product, be sure to observe the following. Failure to observe these instructions could lead to product performance deterioration or property damage.

- Before starting the work, be sure to disconnect the negative (-) battery terminals.
- When disconnecting and connecting the connector, hold the connector and ensure to do so securely. If the connector is not connected securely, the light may not come on.
- When connecting the connector, secure the connector firmly by inserting it all the way.
- Do not pull the harness with excessive force. Doing so may cause the terminal to come off, resulting in a contact failure. Also, wire the harness so that it is not caught in the moving part.
- When removing or restoring the vehicle parts to their original states, follow the service manual.
- When removing dirt on the product, wipe it off with sponge or other cloth dampened with neutral detergent. Never use an organic solvent, such as thinner, or acid or alkaline cleaner.

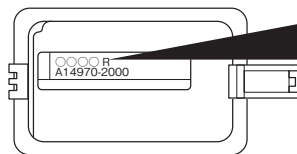
Completion drawing



Components



"L" mark indicated
on the backside



"R" mark indicated
on the backside

NO.	Part name	Quantity
①	DOOR PROJECTOR LIGHT L	1
②	DOOR PROJECTOR LIGHT R	1

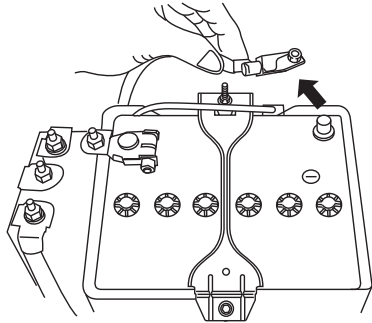
Tools

● Waste cloth

● flat head screwdriver

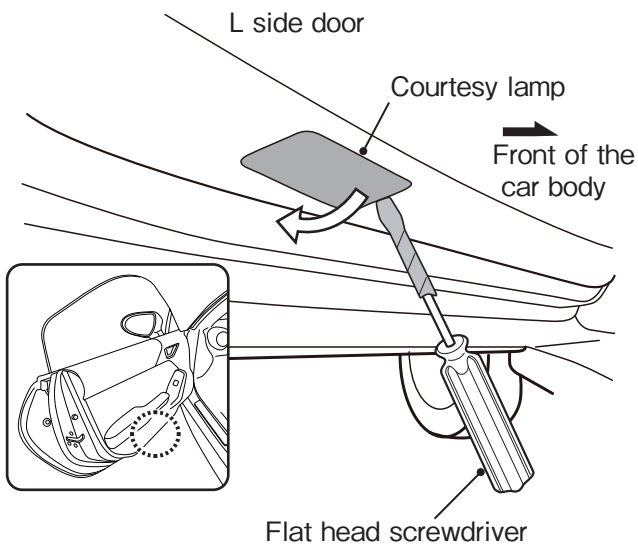
Installation procedure

1



- (1) Turn off the ignition switch.
- (2) Disconnect the negative (-) battery terminal.

2

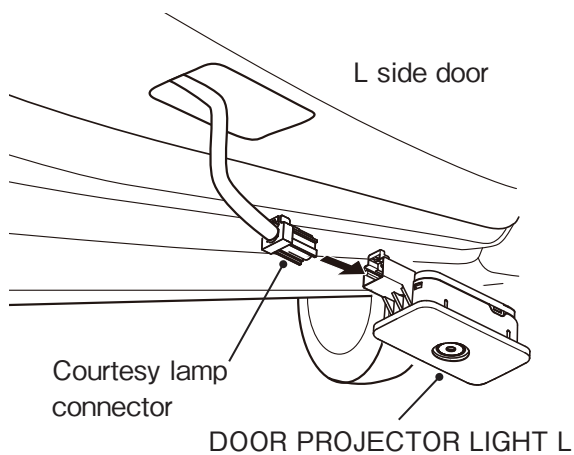


- (1) Apply a waste cloth on a flat head screwdriver. Remove the courtesy lamp by inserting the flat head screwdriver into the vehicle's front side of the courtesy lamp.
- (2) Remove the connector from the courtesy lamp.

⚠ CAUTION

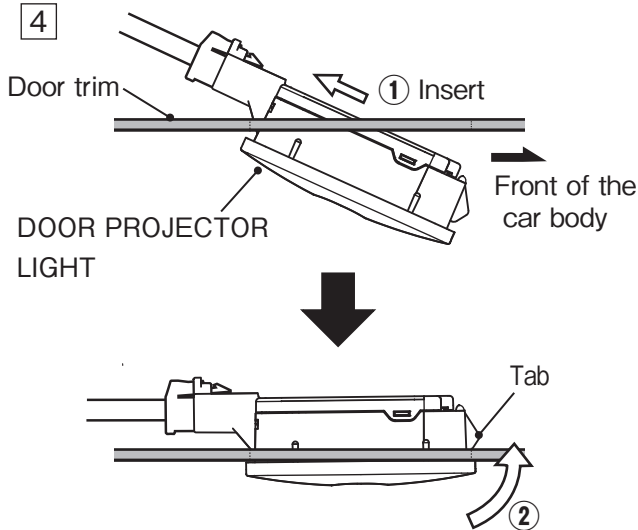
When removing the vehicle parts, follow the service manual and be careful not to scratch or damage them.

3

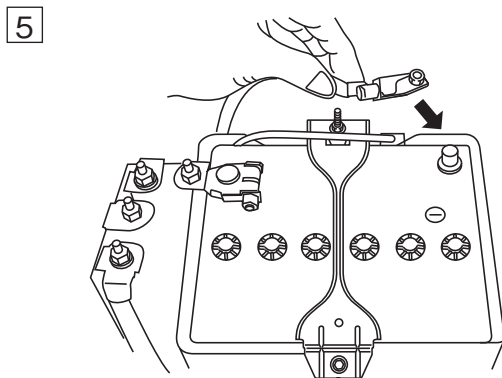


Confirm L/R side is correct. Connect the DOOR PROJECTOR LIGHT to the courtesy lamp connector.

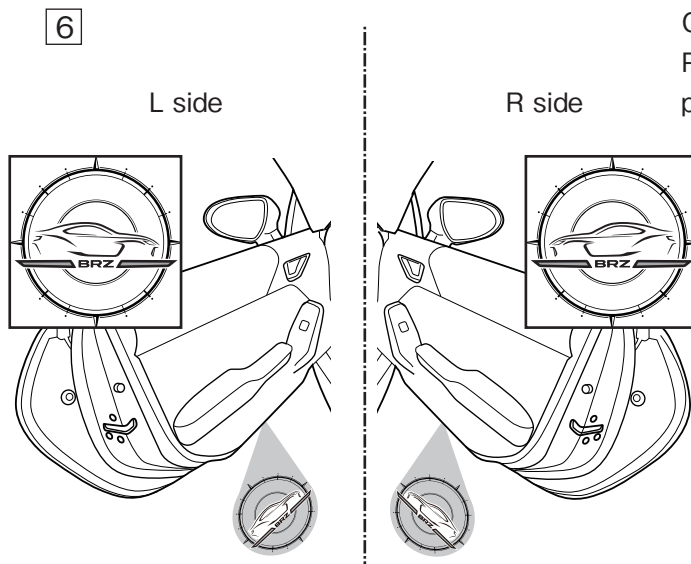
- L side : DOOR PROJECTOR LIGHT L
- R side : DOOR PROJECTOR LIGHT R



Insert the DOOR PROJECTOR LIGHT into the door trim. Ensure the front side tab is locked at the correct position. Repeat Steps 2-4 for the R Side Door.



Connect the negative (-) battery terminal.



Open the door and confirm the DOOR PROJECTOR LIGHT's image is correctly projected.

7

Confirm the DOOR PROJECTOR LIGHT unit is securely fixed to the door trim. Open/close the door and check the DOOR PROJECTOR LIGHT unit does not contact with the door-sill, does not move, or fall off.

