



SUBARU

Part Number: H451SAN000

Installation Instructions

Description: Fog Light Kit, Legacy

Kit Contents



Fog Lights, Driver: 1
Passenger: 1



Relay: 1



Switch: 1



Bolt: 2



Clip: 2



J-Nut: 2

Tools Required

10mm Socket and Ratchet



Philips and flat head screw drivers



Torque Wrench

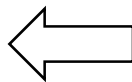
Trim Tool



Icon Legends / Cautions



: Remove/Disconnect



: Install



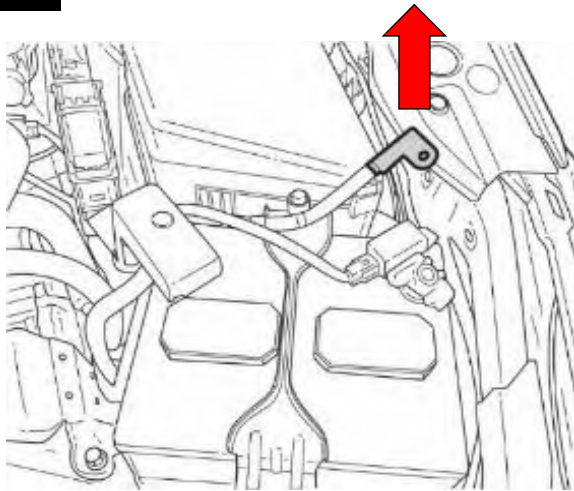
: Location of Clip or Screw

- 1) Read all instructions before proceeding with installation. If uncomfortable performing any procedures, have installation performed by a Subaru dealer technician.
- 2) Take care not to damage vehicle components during removal and installation.
- 3) Route wiring so that it does not rub against any sharp edges.



Installation

1-1



Disconnect Negative (-) battery cable from the battery sensor terminal. Hold the battery sensor carefully when removing the 10mm nut.

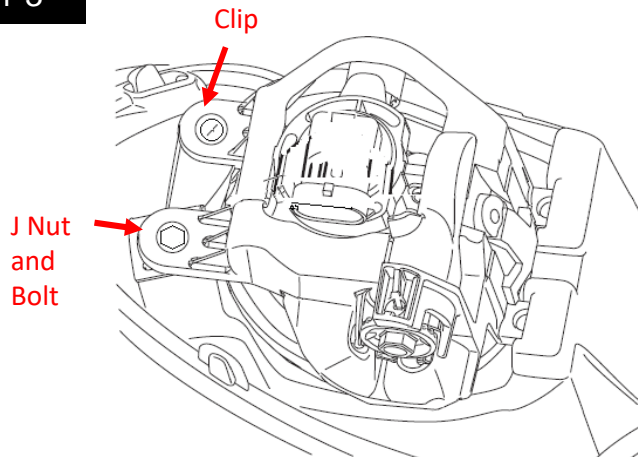
1-2



Remove three (3) clips and pull down the fender liner. Free fog lamp harness connector from the breakaway tape.

Remove fog cover blank.

1-3



Install J-Nut into bumper cavity at the pre-arranged location. Make sure the threaded side is pointing toward the outside (front). Insert lamp assembly into bumper cavity from behind the bumper. Install clip and bolt. Torque bolt to 7.5Nm (5.5 ft lbs)

Plug in lamp connector, ensure the tab locks into place

1-4



Reassemble fender liner.

Repeat install for remaining side of vehicle



Installation

1-5



Using a trim tool, remove the side cover of the lower dash console

1-6



Screw Locations

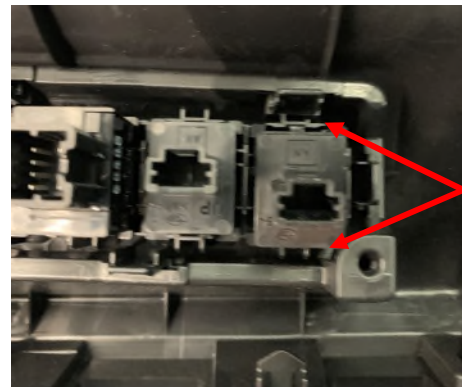
Remove two (2) philips head screws

1-7



Pull lower dash console rearward to disengage all clips
Disconnect all connections from switch panel
Release pre-wired connector

1-8



Locking tabs

Using a flat bladed screw driver, release the top and bottom tabs of the right most switch blank.



SUBARU

Installation Instructions

Part Number: H451SAN100

Description: Fog Light Kit, Outback

Installation

1-9

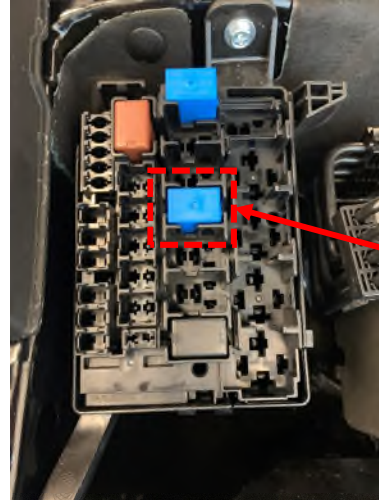


Install fog lamp switch. Ensure both tabs lock into place.

Plug in all connections to switch panel

Reinstall lower dash console

1-10

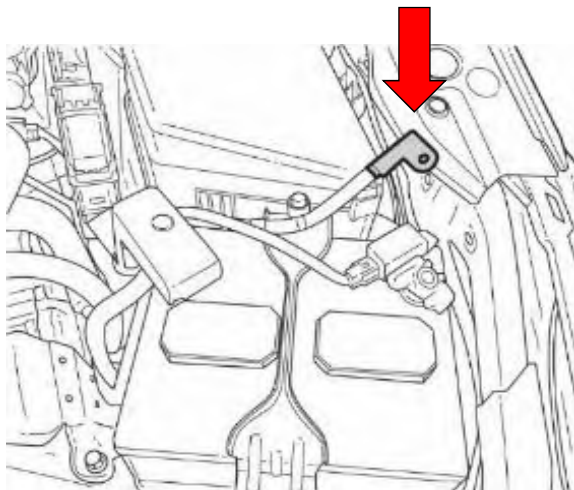


Fog lamp relay location

Open hood and access passenger side relay panel

Install fog lamp relay into above noted position

1-11



Connect Negative (-) battery cable to the battery sensor terminal.

Torque to 7.5Nm (5.5 ft lbs)

Description

2020 Legacy Fog Lamp Kit

Issue

1

Date

4/3/2019

Subaru of America

Page

4 / 4