



# SUBARU

## FORESTER FOG LAMP KIT

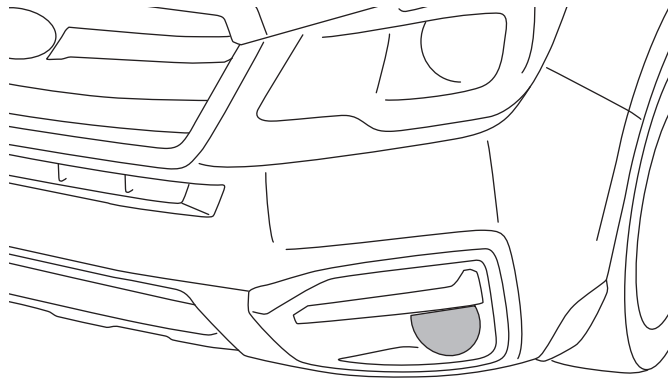
INSTALLATION INSTRUCTION

PART No. H4510SG160 / H4510SG170

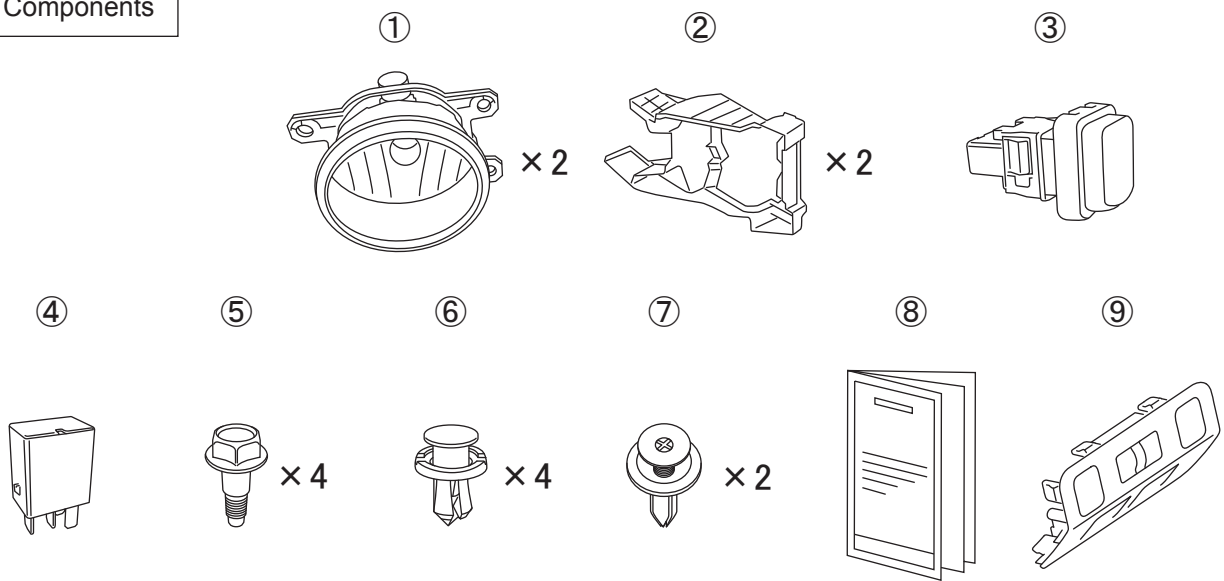


### IMPORTANT

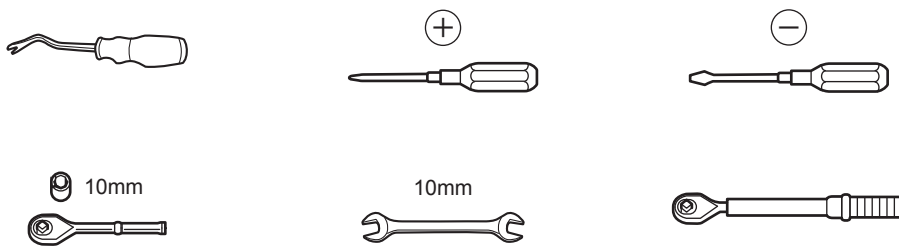
1. Read all instructions before proceeding with installation. If uncomfortable performing any procedures, such as lamp aiming in step 17, have installation performed by a Subaru dealer technician.
2. Pay special attention not to damage vehicle components when removing / installing them.
3. Route wiring so that it does not rub against any sharp edges.



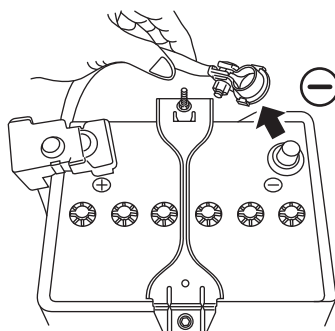
Components



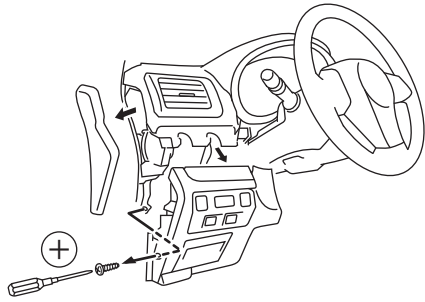
Tools



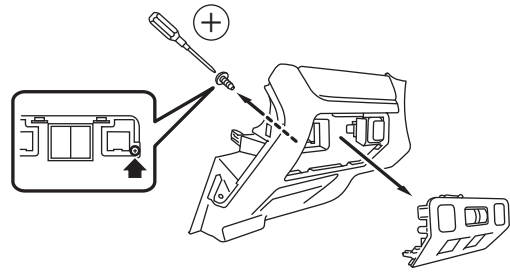
1



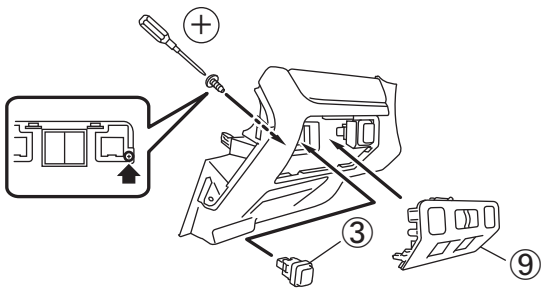
2



3

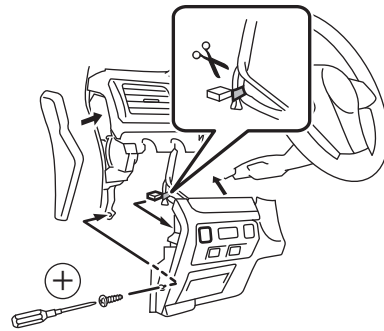


4

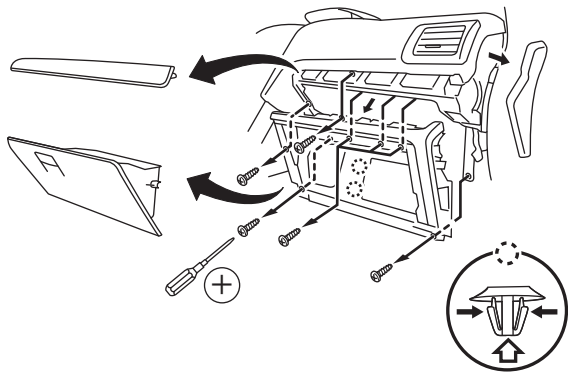


Transfer the switches or dials to the new panel.

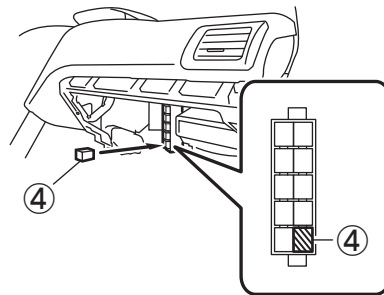
5



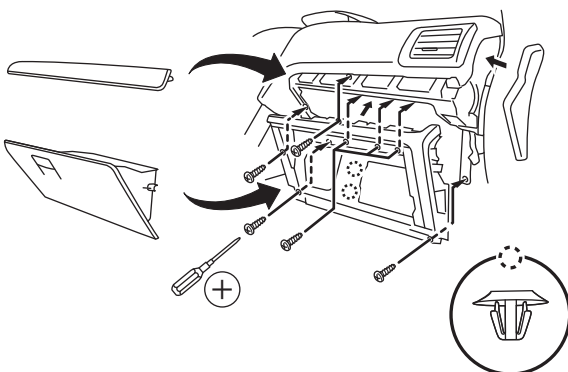
6



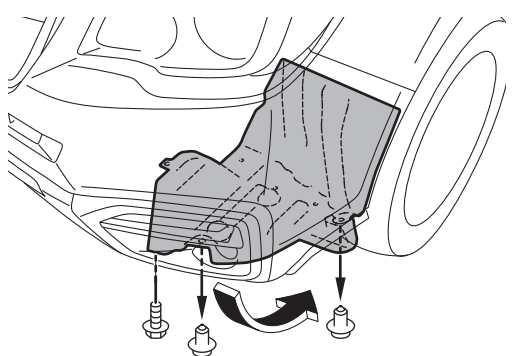
7



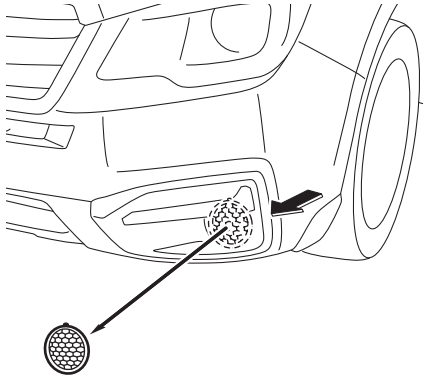
8



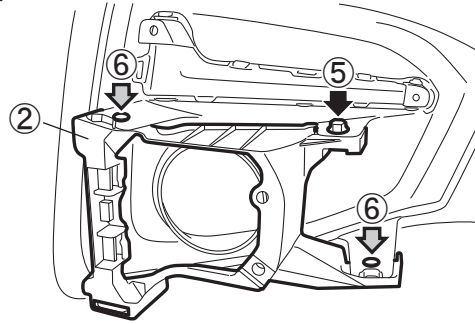
9



10

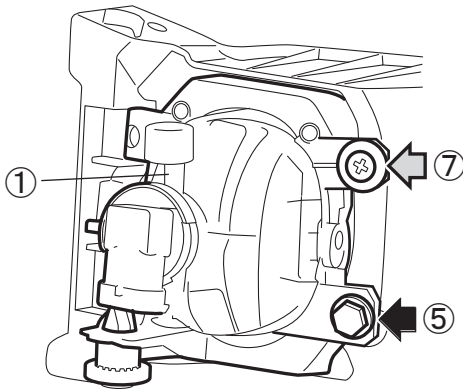


11



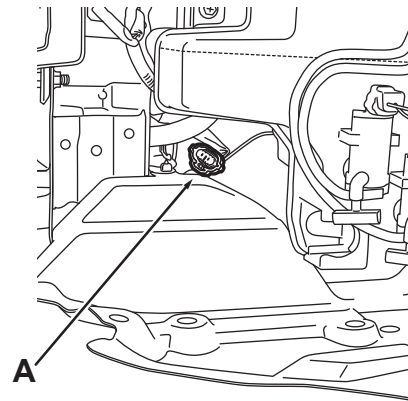
⑤ 7.5 N.m(0.76 kgf-m,5.5 ft-lb)

12

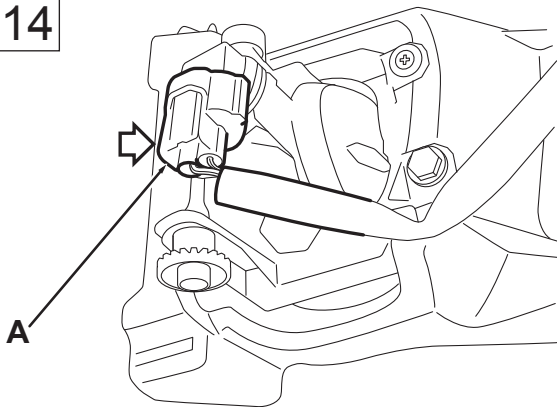


⑤ 7.5 N.m(0.76 kgf-m,5.5 ft-lb)

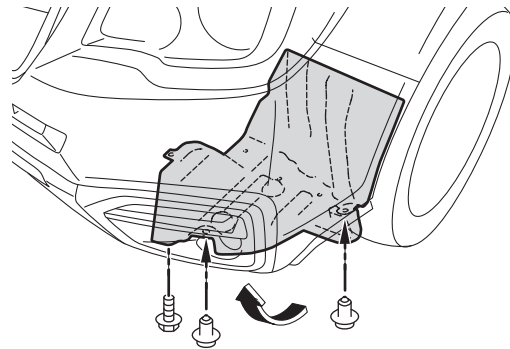
13



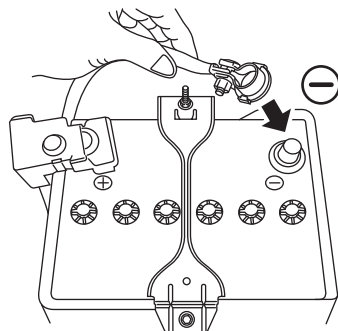
14



15



16



17

