



WIRELESS CHARGER KIT

INSTALLATION INSTRUCTION

FORESTER (2025MY and after)

PART No. H1010SL010



IMPORTANT

1. The installation should be carried out by an authorized Subaru dealer.
2. Pay special attention not to damage vehicle components when removing / installing them.
3. Route the wiring so that it cannot be abraded against any sharp edges.
4. Refer to the vehicle service manual.
5. Check that the vehicle's electronic devices are operating normally. Be sure to make note of the contents of the memory of electronic devices such as the preprogrammed radio channels.

ATTENTION

	<ul style="list-style-type: none"> • Please disconnect the battery cable while conducting wiring operations. Failure to do so may result in electrical shock or injury.
	<ul style="list-style-type: none"> • Please confirm that the electrical components of the vehicle operate normally. Also, please make an note of data in the memory of the electrical components such as the radio. This will help avoid problems that may arise when performing the repair check after the installation.
	<ul style="list-style-type: none"> • When tightening bolts or screws, use the proper tools and the proper size, and comply for the specified torque specified for the part. Failure to securely tighten the bolt and nut may cause them to loosen and fall off, causing damage.
	<ul style="list-style-type: none"> • When removing the connector from the vehicle, remember to remove the lock that holds the main body of the connector, instead of pulling the lead line. This protects against a lead wire cuts, etc.
	<ul style="list-style-type: none"> • Please be sure to properly connect the connector and terminal. This helps to avoid a poor connection.
	<ul style="list-style-type: none"> • When wiring the harness(wiring), clamp the wires together along with the wiring harness of the vehicle. This protects the harness from becoming entangled or causing strange sounds.
	<ul style="list-style-type: none"> • When connecting or disconnecting parts or installing or removing the finisher, etc, be careful not to let the harness be hooked or pulled from the back. This protects against a cut wire or shorts.
	<ul style="list-style-type: none"> • Be careful not to forcefully pull the wiring harness of the vehicle. This helps prevent the connector from being disconnected, and the wires from being cut or damaged.
	<ul style="list-style-type: none"> • After installing the wiring, perform an operations check on the newly installed parts before reassembling. This helps prevent mis-wiring.

COMPONENTS

No.	Name	Qty
①	Wireless charger	1
②	Cable ties	2

①



②

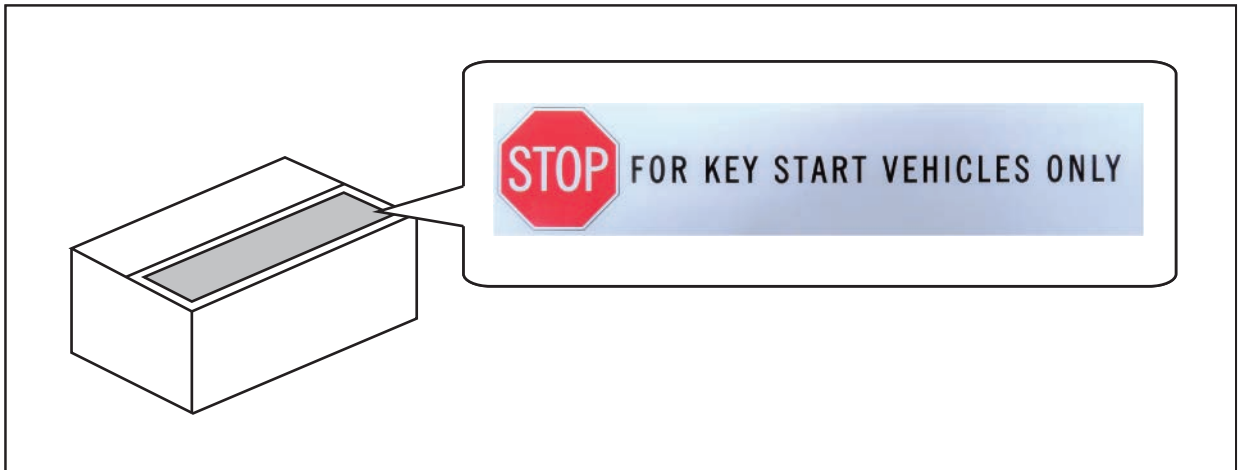


TOOLS

- Driver (-)
- Masking tape

1. Before Starting Work

(1) Before unpacking, check that the key specifications on the package are the same as those on the vehicle.



(2) Securely apply the parking brake and set the select lever to N.

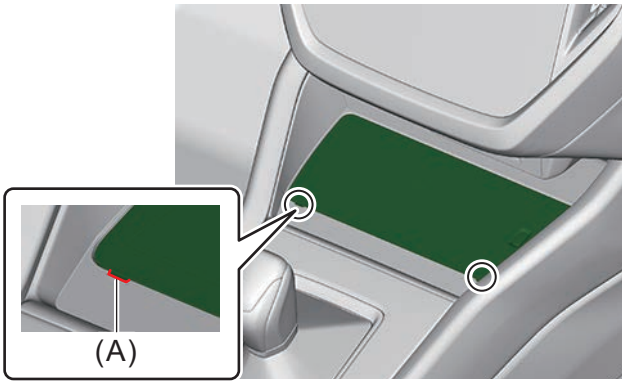
1-1. Removing Battery Terminals

Disconnect the ground terminal from the battery sensor and wait at least 60 seconds before starting work.

CAUTION

Follow the latest service manual instructions for removing and installing the negative (ground) battery terminal.

(Fig. 1)



2. Installing Wireless Charger

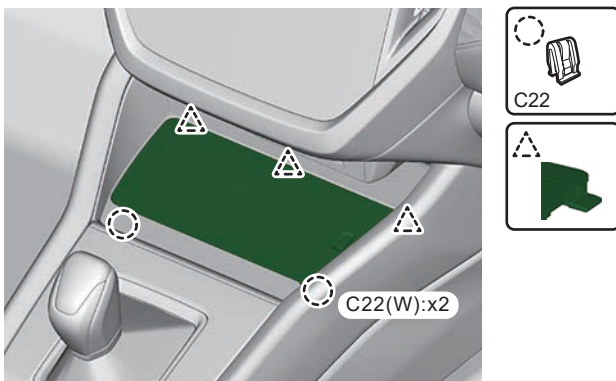
2-1. Removal of Related Parts

- (1) Insert a flat-head screwdriver or similar tool with protective tape wrapped around the (A) section of the tray assembly center LWR. (Fig. 1)

CAUTION

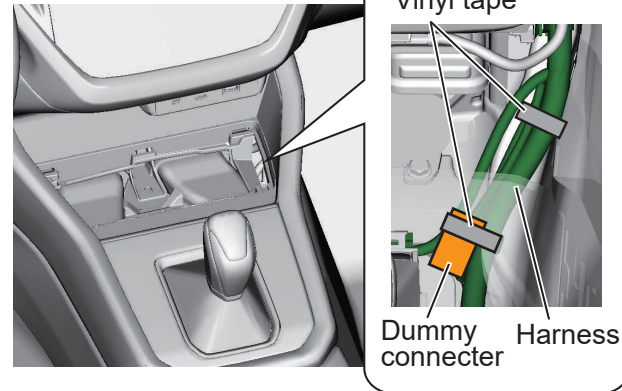
To prevent damage to vehicle parts, apply protective tape to the tool before use.

(Fig. 2)



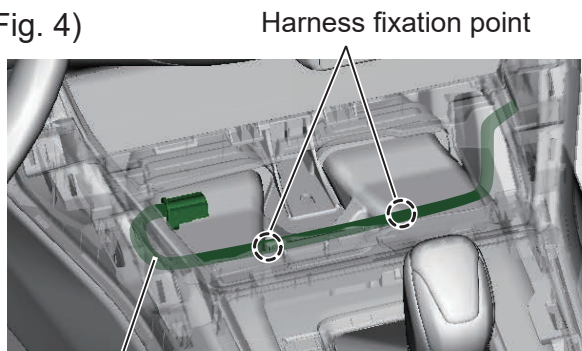
- (2) Remove the clip joints and hooks first. Then remove the tray assembly center LWR. (Fig. 2)

(Fig. 3)



- (3) Pull out the existing wireless charger harness on the vehicle side and remove the vinyl tape holding the harness in place. (Fig. 3) Remove the white connector. Wireless charger connector is covered by dummy connector.

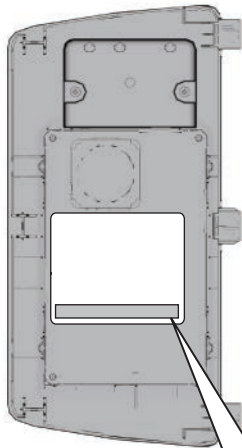
(Fig. 4)



Harness length from harness fixation point:
Approx. 460 mm

- (4) Routing vehicle harness as shown in the figure and fix cable ties at 30 mm from both end side of floor carpet. (Fig. 4)

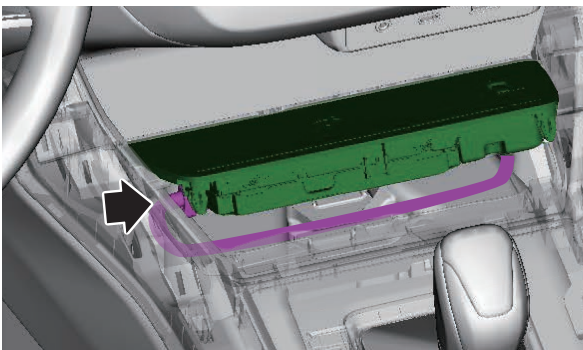
(Fig. 5)



For Key Start vehicles only

- (5) Check that the key specifications on the label on the back of the wireless charger match the vehicle key specifications. (Fig. 5)

(Fig. 6)



- (6) Securely attach the power connector (8-pole connector) to the terminal of the wireless charger. (Fig. 6)

(Fig. 7)



- (7) Install the wireless charger. (Fig. 7)
*The removed tray ASSY center LWR is not used. Return it to the customer.

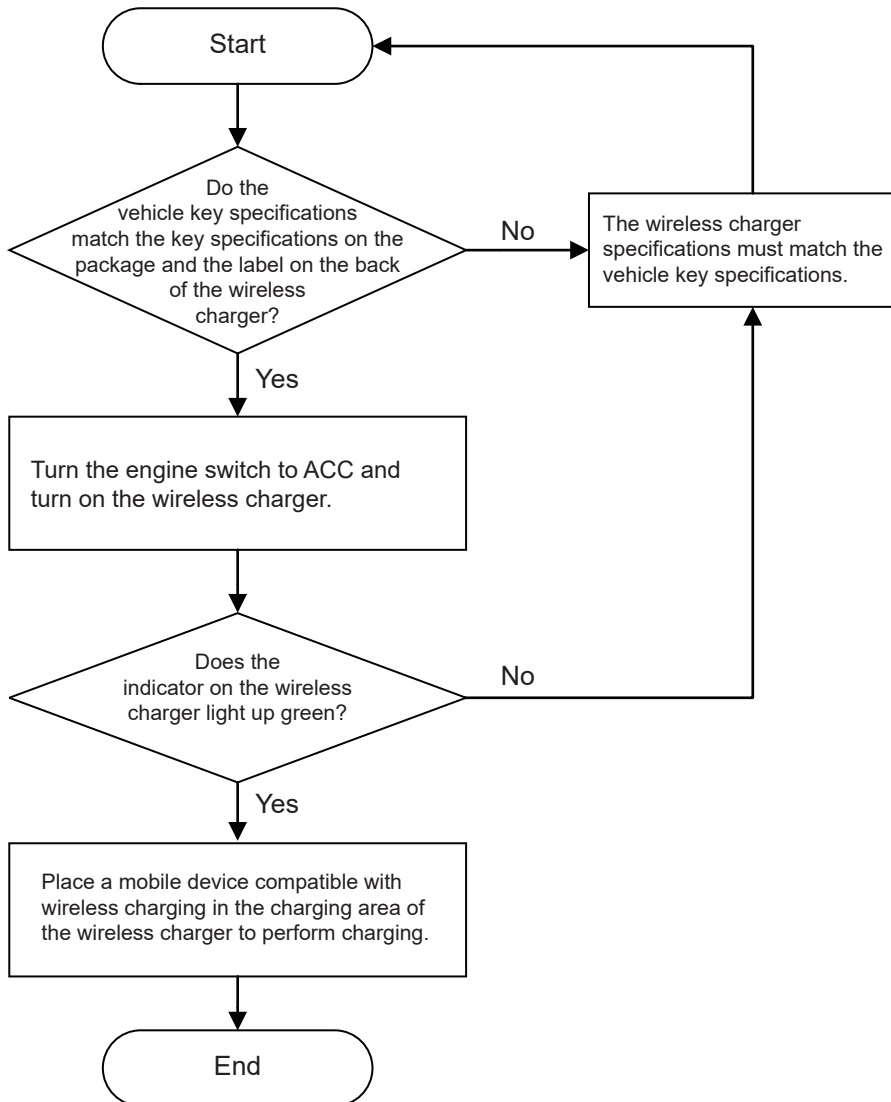
CAUTION

When installing the wireless charger, make sure that the surrounding parts do not bite the harness.

2. Operation Check

(1) Connect the battery.

(2) Check that the wireless charger is compatible with the vehicle key specifications.
Follow the flowchart below to perform the check.



(3) Start the engine (or the hybrid system) and check that the wireless charger operates properly.

(4) Set the clock and settings for audio system, etc. and complete the procedure by cleaning the vehicle.

Revised history		
△	Contents	Creation date
△ 00	Newly created	Oct. 27, 2023