



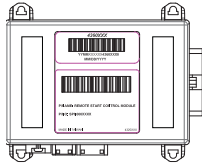
SUBARU

PART NUMBER: H001SSG100

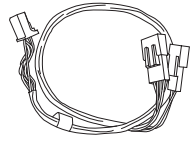
**GENUINE PARTS
INSTALLATION
INSTRUCTIONS**

DESCRIPTION: LONG RANGE PUSH START
REMOTE ENGINE START SYSTEM
FORESTER

1 KIT CONTENTS



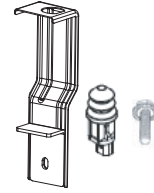
Remote Start Control Module
Quantity=1



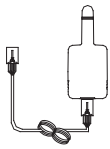
Pre-Arranged Jumper Wiring Harness
Quantity=1



Remote Start Fobs W/ Warning Tags
Quantity=2



Hood Safety Switch, Mounting Bracket & Mounting Bolt
Quantity=1



Remote Start Antenna and Harness
Quantity=1



Underhood Warning Label
Quantity=1

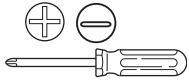


Quick Reference Card
Quantity=1 English,
1 French

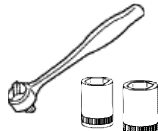


Tie Wraps
20cm Quantity=10
53cm Quantity=1

2 TOOLS REQUIRED



Phillips Screwdriver
Short and Standard



Ratchet, 10mm
and 12mm Sockets



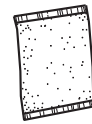
Torque Wrench



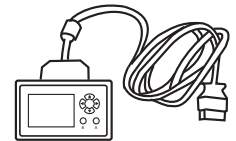
Wire Cutters



Panel Removal Tool



Alcohol and Towel



SSM IV (DST-i)
Diagnostic Interface



Ruler

3 MEANING OF CHARACTERS



: Remove



: Install



: Disconnect



: Connect



: Location of Clip or Screw

T

: Tighten Torque



: Loosen



: Discard



: Re-use

CAUTION: DO NOT SECURE ANY REMOTE START HARNESSSES / MODULES TO ANY YELLOW HARNESSSES / CONNECTORS (AIRBAG SYSTEM) IN THE VEHICLE.

PART NUMBER
H001SSG100

ISSUE
01

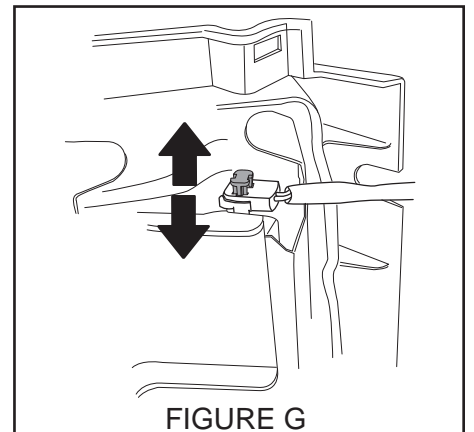
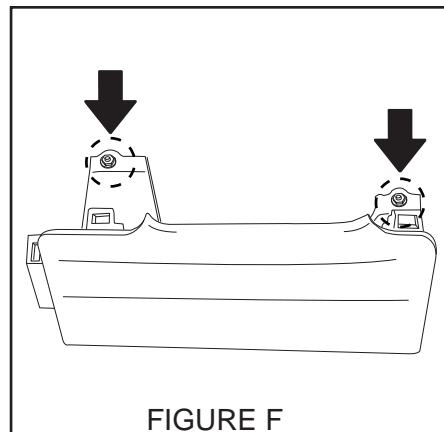
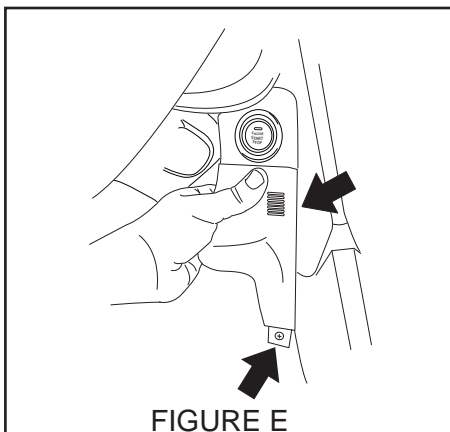
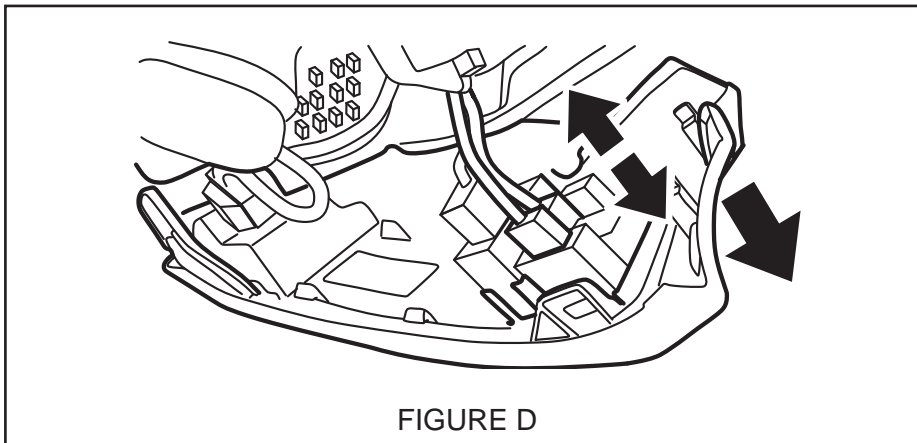
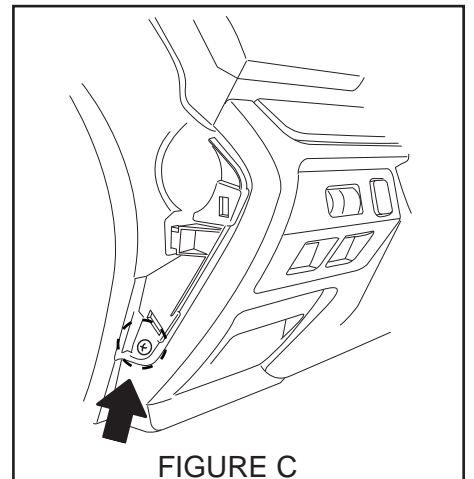
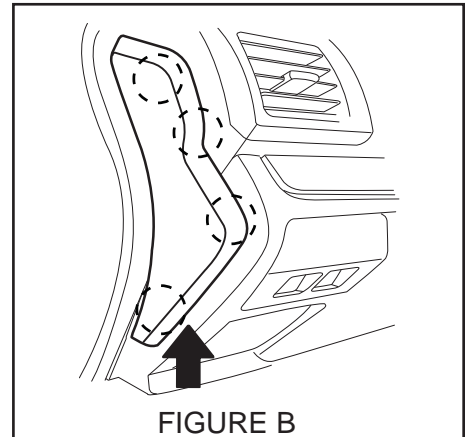
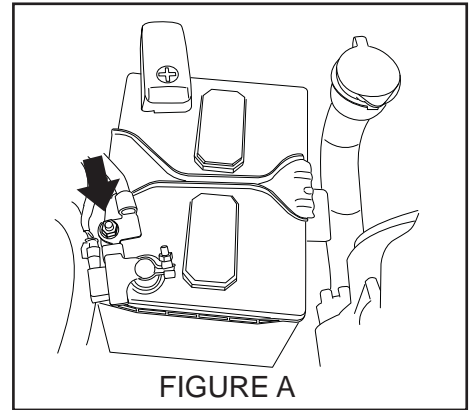
DATE
17 May 2016

SUBARU OF AMERICA

1 OF 13

4 VEHICLE PREPARATION

1. Using a 12mm socket/ratchet, disconnect the negative battery terminal. (FIGURE A)
NOTE: DO NOT PROCEED TO THE NEXT STEP FOR ONE (1) MINUTE TO ALLOW TIME FOR THE AIRBAG POWER SUPPLY TO DISCHARGE.
2. Using a panel removal tool, carefully remove the left side dashboard panel by beginning at the bottom and working upward. (FIGURE B) Remove one (1) Phillips screw securing the lower dashboard panel on the left side of the dashboard. (FIGURE C)
3. Using a panel removal tool, carefully remove the driver's left side lower dashboard panel by pulling straight out. Unplug all connectors attached to the dashboard panel. (FIGURE D)
4. Remove one (1) Phillips screw on the lower corner of the driver's right side lower dashboard panel. Carefully remove the driver's right side lower dashboard panel by grasping in the middle of the trim panel and pulling straight out towards the rear of the vehicle. (FIGURE E)
NOTE: Do Not pull from the bottom of the panel, doing so may result in damage to the panel or the retaining clips.
5. Using a 10mm socket/ratchet, remove the two (2) nuts securing the driver's side lower airbag/knee bolster. (FIGURE F) After removing the lower airbag/knee bolster, disengage the yellow connector lock by lifting upward. Using a panel removal tool, carefully lift upward to unplug the electrical connector and place the airbag/knee bolster in a safe area. (FIGURE G)



5

WINDSHIELD MOUNT ANTENNA INSTALLATION - NON EYESIGHT EQUIPPED VEHICLES

IMPORTANT! THIS SECTION ONLY APPLIES TO VEHICLES WITHOUT THE EYESIGHT SYSTEM. FOR VEHICLES EQUIPPED WITH THE EYESIGHT SYSTEM, DISREGARD THIS SECTION AND PROCEED TO SECTION 6.

OVERHEAD CONSOLE REMOVAL

1. Open the sunglass holder on the overhead console (near rear view mirror).
2. Remove the two (2) Phillips screws securing the front of the overhead console. (FIGURE H)
3. Pull down on the overhead console to release the pressure clips in the rear of the overhead console. Use care to ensure headliner is not damaged.
4. Disconnect any electrical connectors attached to the overhead console.
5. Using a panel removal tool, remove the retaining clip securing the headliner/overhead console bracket. (FIGURE I)

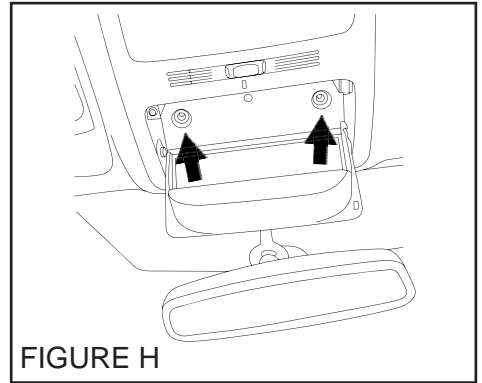


FIGURE H

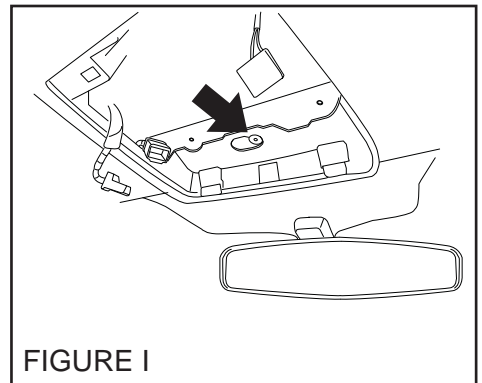


FIGURE I

A-PILLAR PANEL REMOVAL

1. Using a panel removal tool, carefully remove the driver's side dashboard tweeter cover by lifting upward. (FIGURE J)
2. Remove the driver's side A-pillar panel by releasing the two (2) body clips along with the lower clips where the A-pillar panel meets the dashboard. (FIGURE K)

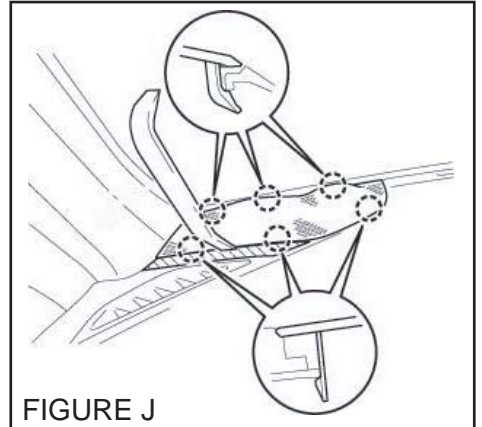


FIGURE J

3. Rotate the A-pillar panel away from the dashboard and release the the airbag tether clip from the top of the A-pillar panel. (FIGURE L)

CAUTION! Use care when performing this step to avoid damage to the curtain airbag. If the airbag is damaged, it must be replaced.

4. Inspect the white protective (non-woven fabric) of the curtain airbag. If the fabric is damaged, the curtain airbag assembly must be replaced.

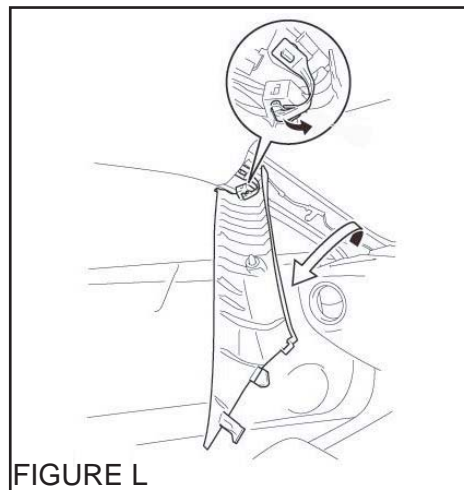


FIGURE L

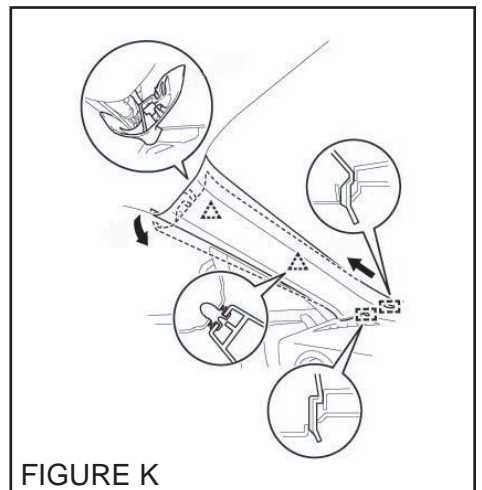


FIGURE K

5

WINDSHIELD MOUNT ANTENNA INSTALLATION - NON EYESIGHT EQUIPPED VEHICLES, continued

ANTENNA POD MOUNTING / HARNESS ROUTING

1. Plug the 5-pin connector on the antenna harness into the 5-pin port on the antenna pod. (FIGURE M)
2. Clean glass surface near antenna mounting area with alcohol. Remove the adhesive backing on the antenna pod and apply the antenna to the windshield. The base of the antenna pod (harness connection end) should line up to the area of the windshield where the solid black film and dotted black film meet and 25mm (1") left of the windshield center mark. (FIGURE N)
3. Route the antenna harness across the headliner and down the A-pillar tucking the cable below the driver's side dashboard through the opening closest to the windshield and allow the harness to hang loose behind the vehicle's dashboard mounted fusebox. (FIGURE O) The antenna harness will be plugged into the remote start control module later.
4. Secure the antenna harness to the existing vehicle wiring in the A-pillar in six (6) places using the supplied 20cm tie wraps. (FIGURE P)
5. Using one (1) of the supplied 20cm tie wraps, secure the antenna harness to the vehicle wiring behind the fusebox.
6. Re-install the airbag tether clip to the A-pillar panel and rotate the panel into place.
7. Re-install the A-pillar panel and driver's side dashboard tweeter cover.
8. Re-install the overhead console.

PROCEED TO SECTION 7

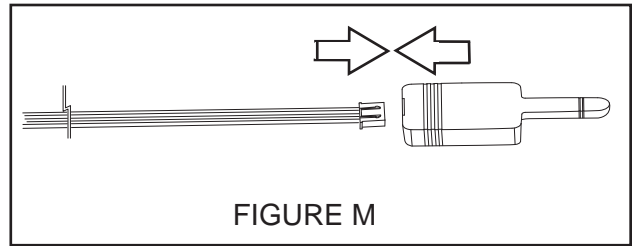


FIGURE M

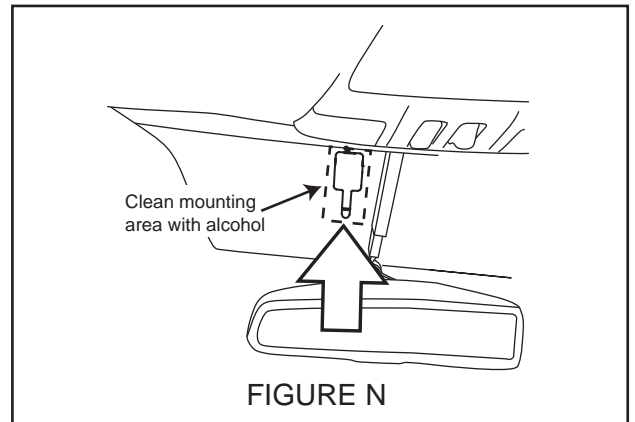


FIGURE N

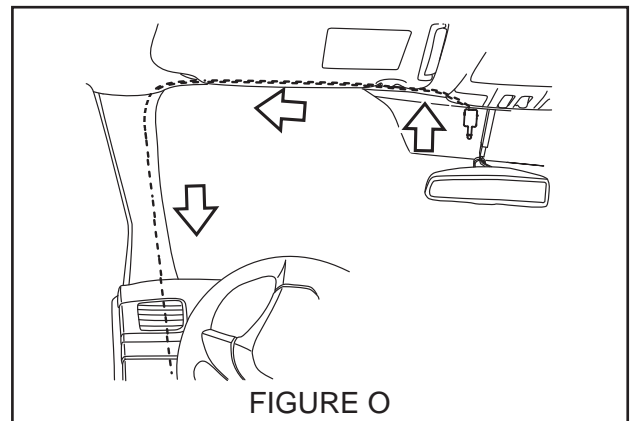


FIGURE O

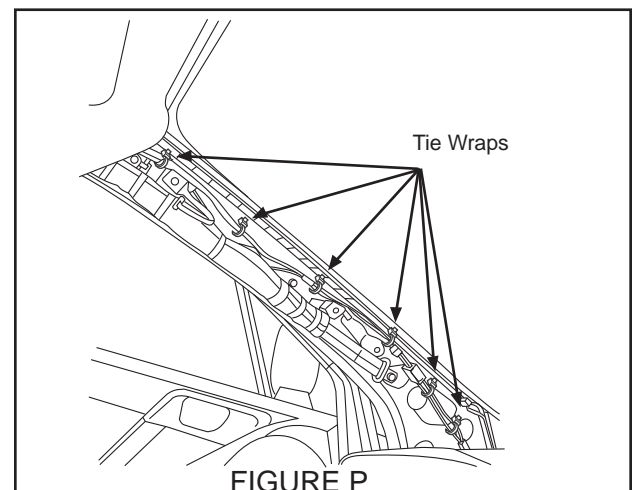


FIGURE P

IMPORTANT! THIS SECTION ONLY APPLIES TO VEHICLES EQUIPPED WITH THE EYESIGHT SYSTEM. FOR VEHICLES WITHOUT THE EYESIGHT SYSTEM, DISREGARD THIS SECTION AND RETURN TO SECTION 5.

ANTENNA MOUNTING

1. Mount the antenna pod to the top left hand side of the windshield, near the headliner and driver's side A-pillar trim panel with the antenna pod "finger" facing the passenger's side. Use alcohol to clean the area thoroughly. (FIGURE Q)
2. Using a ruler, ensure the top left corner of the antenna pod will be 20mm (3/4") from the right corner of the A-pillar trim panel in a straight line and 10mm (3/8") down from the headliner to the upper right corner of the antenna pod. Note: The antenna pod should be level left to right. (FIGURE Q)
3. Remove the adhesive backing and apply the antenna pod to the windshield as described in step 2 above. (FIGURE Q)

A-PILLAR PANEL REMOVAL

1. Using a panel removal tool, carefully remove the driver's side dashboard tweeter cover by lifting upward. (FIGURE R)
2. Remove the driver's side A-pillar panel by releasing the two (2) body clips along with the lower clips where the A-pillar panel meets the dashboard. (FIGURE S)
3. Rotate the A-pillar panel away from the dashboard and release the airbag tether clip from the top of the A-pillar panel. (FIGURE T)
CAUTION! Use care when performing this step to avoid damage to the curtain airbag. If the airbag is damaged, it must be replaced.
4. Inspect the white protective (non-woven fabric) of the curtain airbag. If the fabric is damaged, the curtain airbag assembly must be replaced.

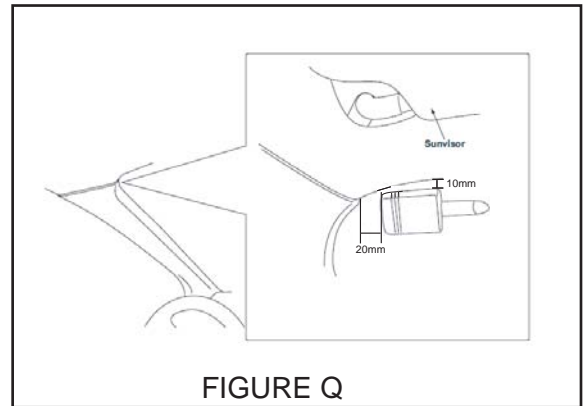


FIGURE Q

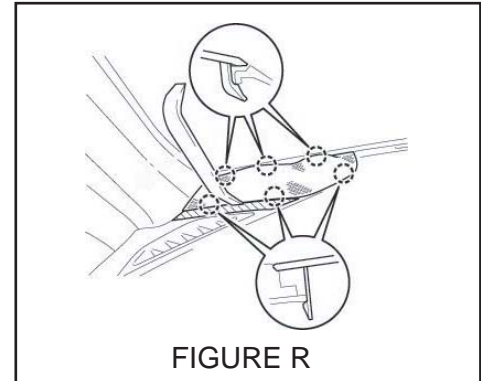


FIGURE R

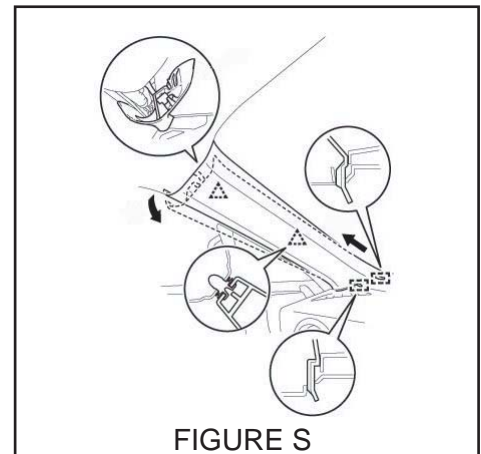


FIGURE S

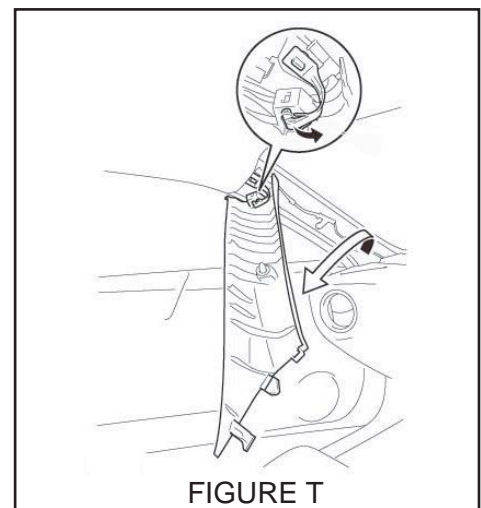
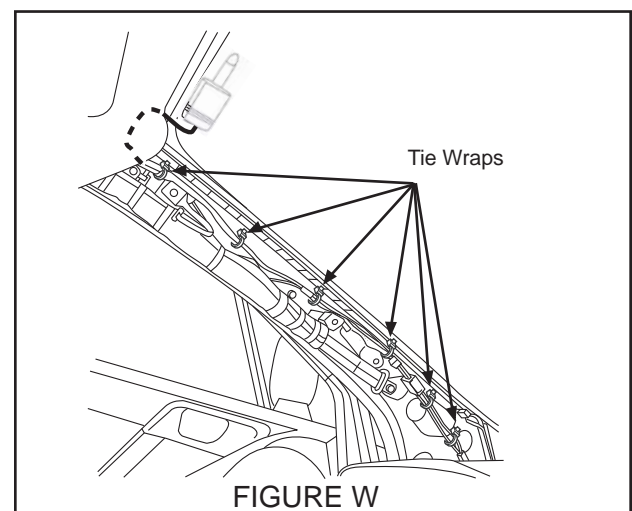
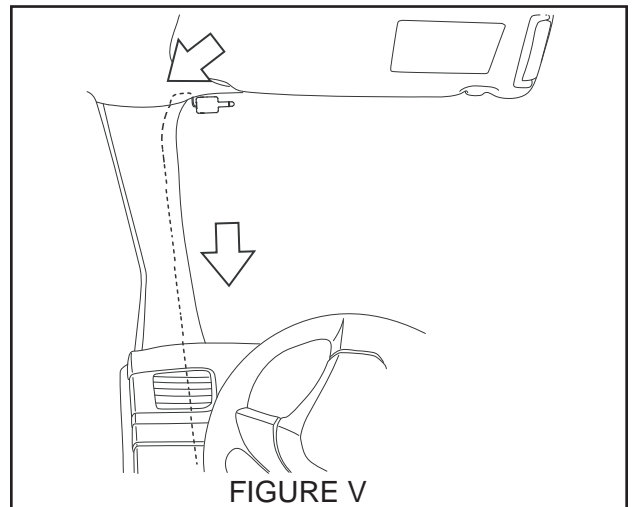
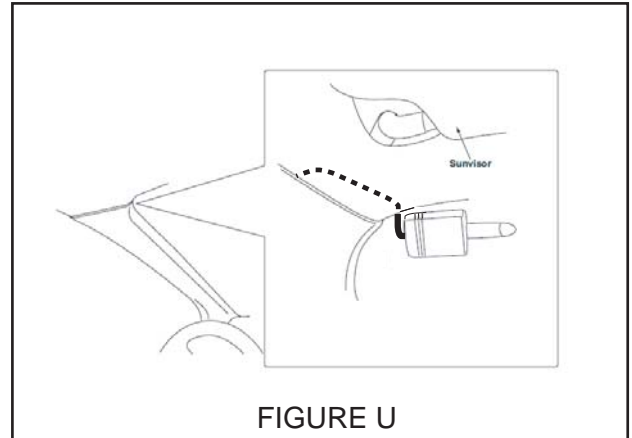


FIGURE T

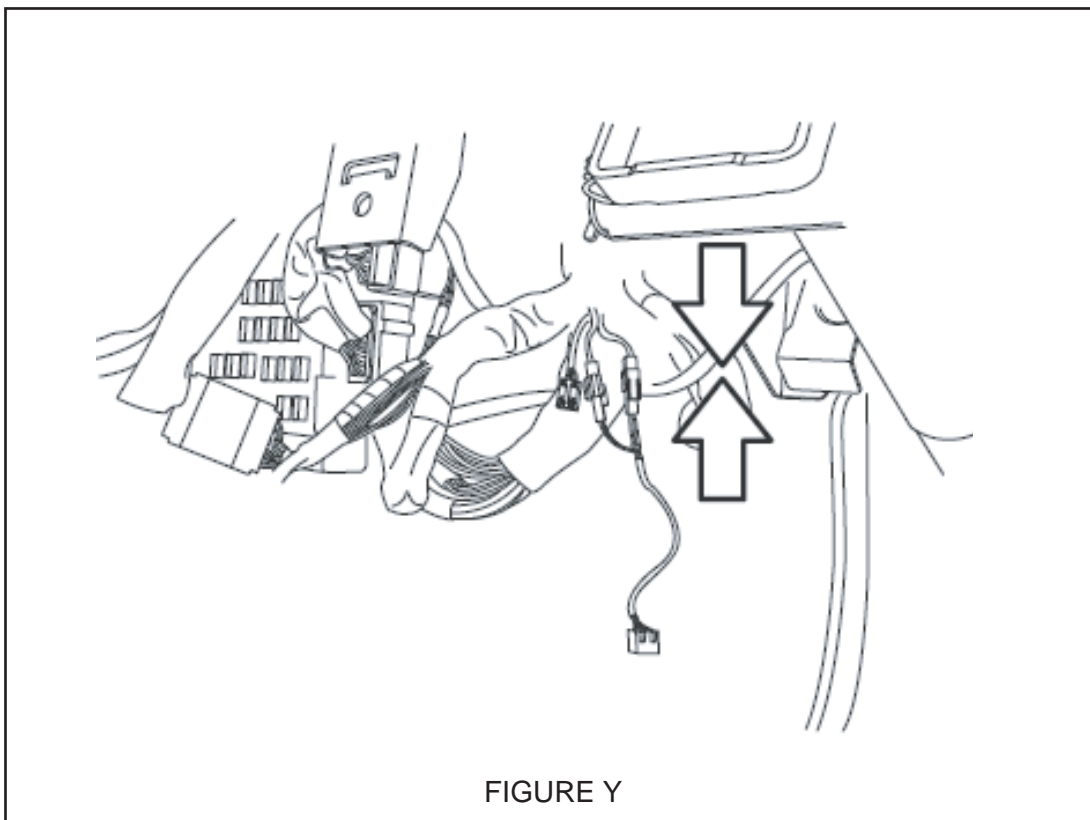
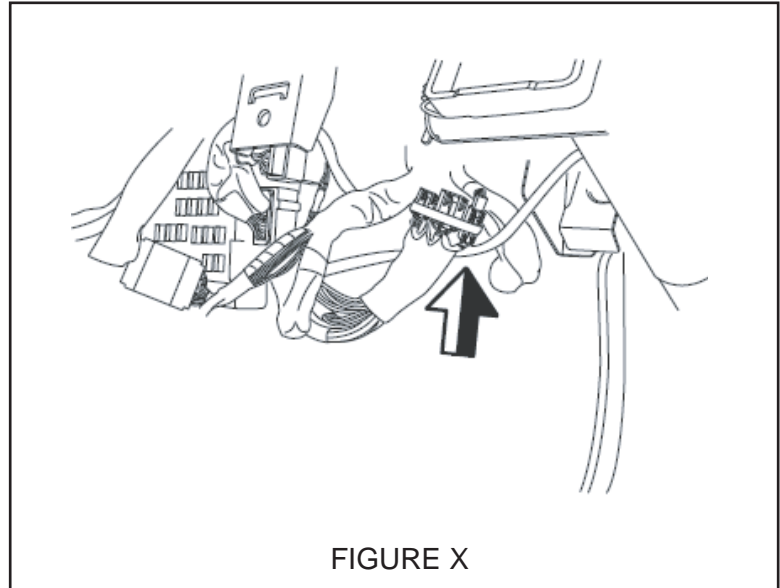
6**WINDSHIELD MOUNT ANTENNA INSTALLATION -
EYESIGHT EQUIPPED VEHICLES, continued**HARNESS ROUTING

1. Plug the 5-pin antenna harness into the previously installed antenna pod. (FIGURE U)
2. Route the antenna harness straight up into the headliner, then across the headliner and down the A-pillar tucking the cable below the driver's side dashboard through the opening closest to the windshield and allow the harness to hang loose behind the vehicle's dashboard mounted fusebox. The antenna harness will be plugged into the remote start control module later. (FIGURE V)
3. Secure the antenna harness to the existing vehicle wiring in the A-pillar in six (6) places using the supplied 20cm tie wraps. (FIGURE W)
4. Using one (1) of the supplied 20cm tie wraps, secure the antenna harness to the vehicle wiring behind the fusebox.
5. Re-install the airbag tether clip to the A-pillar panel and rotate the panel into place.
6. Re-install the A-pillar panel and driver's side dashboard tweeter cover.



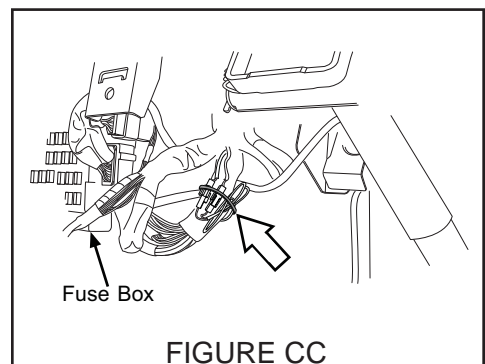
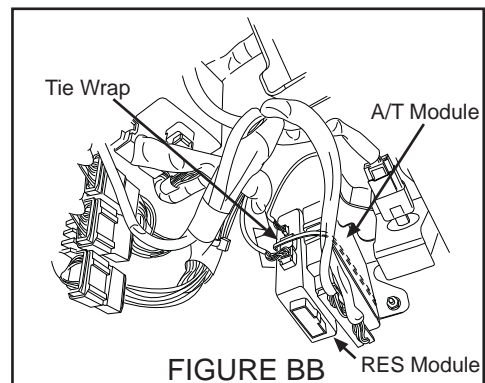
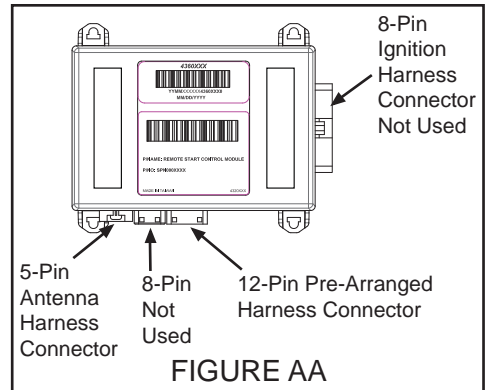
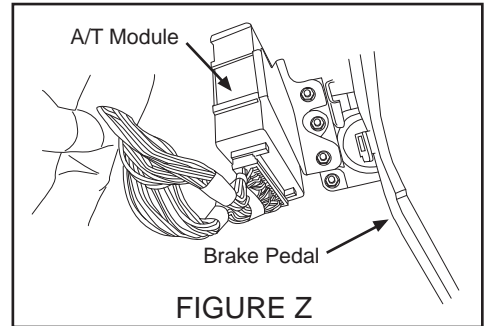
7 PRE-ARRANGED JUMPER HARNESS CONNECTIONS

1. Locate the vehicle's 8-pin and 2-pin pre-fit connectors to the left center of the steering column near the left side lower dashboard airbag/knee bolster mount. These connectors are secured to the vehicle wiring using breakaway tape. (FIGURE X)
2. When the 2-pin pre-fit connector is located, unplug and discard the mating wire jumper. (This is used for the power window interrupt circuit)
3. Plug the remote start pre-arranged jumper harness 8-pin and 2-pin connectors into the corresponding pre-fit connectors. (FIGURE Y)



8 REMOTE START CONTROL MODULE MOUNTING

1. Locate the vehicle's automatic transmission (A/T) module mounted to the left side of the steering column. (FIGURE Z)
2. Route the previously installed windshield mounted antenna harness and remote start pre-arranged jumper harness toward the A/T module and plug into the corresponding connectors on the remote start control module. (FIGURE AA)
3. Secure the remote start control module to the left side of the A/T module using the supplied 3M Dual Lock™ fastener with 2-sided adhesive tape making sure the large 8-pin remote start ignition harness connector (Not used) is facing down (same direction as the A/T module connector). (FIGURE BB)
4. As a secondary mounting provision, secure the remote start control module to the A/T module using the supplied 53cm tie wrap. Route the tie wrap between the 12-pin and 5-pin connectors on the remote start control module and through the right side of the A/T module bracket. (FIGURE BB)
5. Using one (1) of the supplied 20cm tie wraps, bundle and secure any excess antenna harness and remote start pre-arranged jumper harness to the existing vehicle wiring behind the fusebox. (FIGURE CC)



9 HOOD SAFETY SWITCH MOUNTING

1. In the engine compartment, locate the 2-pin pre-fit hood safety switch connector secured to the ABS unit wire harness with breakaway tape, behind the air filter box on the passenger's side of the vehicle. (FIGURE DD)

2. Non-Turbo Vehicles - Mount the hood safety switch bracket to the passenger side inner/lower fender support frame using the supplied 10mm bolt and pre-arranged weld nut in the inner fender support. (FIGURE EE)

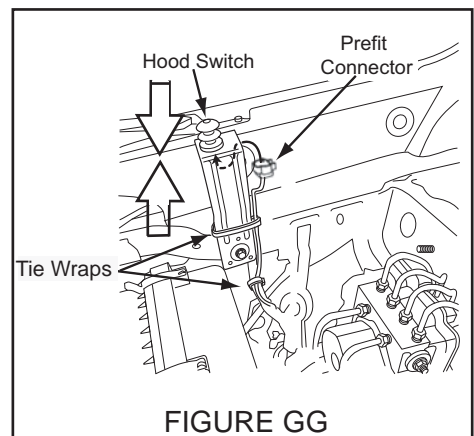
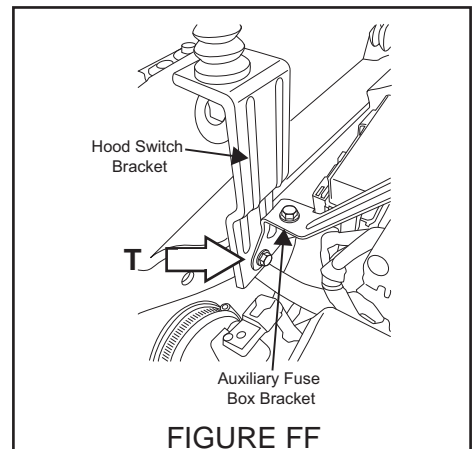
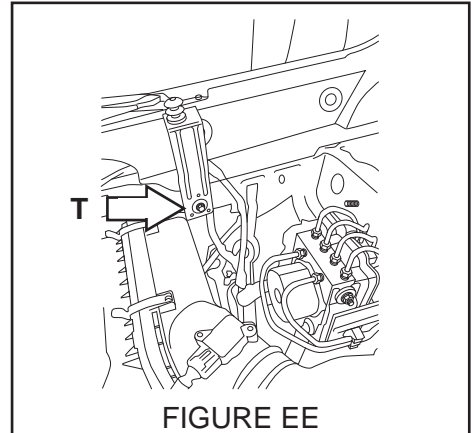
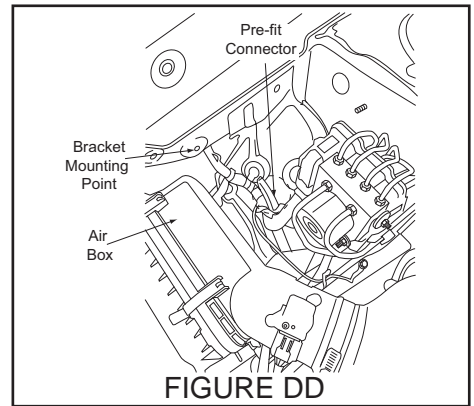
Note: The outward tongue above the mounting hole on the hood switch bracket must rest firmly on the top of the fender support frame and underneath the black fender cover to prevent rotation of the bracket. If necessary, a slight amount of force on the top of the bracket may be required while securing to ensure the tongue rests firmly on the vehicle's support frame. Proceed to step 4.

3. Turbo Vehicles - Locate and remove the 10mm bolt securing the auxiliary fuse box to the passenger side inner/lower fender support frame. Refer to FIGURES CC and DD for the pre-arranged weld nut in the inner fender support and the mounting location of the hood switch bracket. Mount the hood safety switch bracket to the passenger side inner/lower fender support frame (between the vehicle's auxiliary fuse box bracket and the vehicle's frame) using the supplied 10mm bolt. (FIGURE FF)

Note: The outward tongue above the mounting hole on the hood switch bracket must rest firmly on the top of the fender support frame and underneath the black fender cover to prevent rotation of the bracket. If necessary, a slight amount of force on the top of the bracket may be required while securing to ensure the tongue rests firmly on the vehicle's support frame.

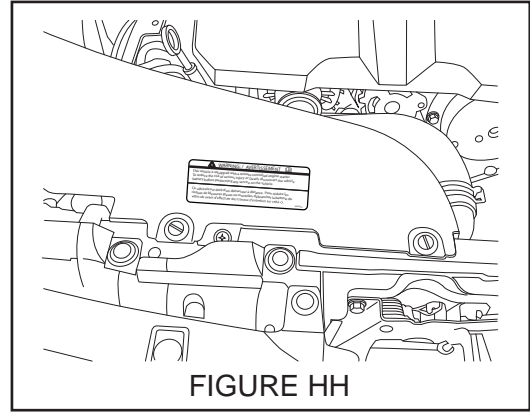
4. Torque the mounting bolt to 10.8 Nm +/- 2 Nm (1.10 Kgf-m +/- 0.2 Kgf-m, 8 ft-lbs +/- 1.5 ft-lbs).

5. Securely mount (snap-in) the supplied hood safety switch into the bracket and plug the vehicle's pre-fit 2-pin female hood switch connector to the base of the hood safety switch. Using two (2) of the supplied 20cm tie wraps, secure the hood switch harness to the hood switch bracket and factory wiring. (FIGURE GG)



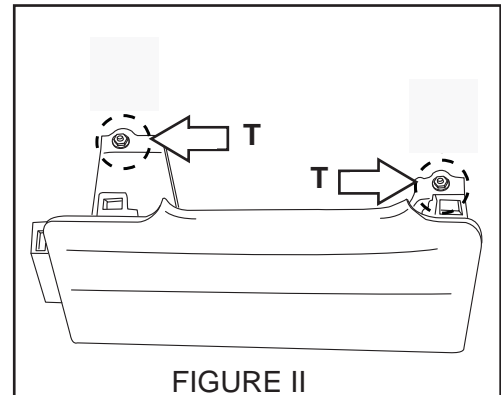
10 UNDER HOOD WARNING LABEL MOUNTING

1. Using alcohol, clean the top of the air intake plenum, near the radiator core support.
2. Remove the adhesive backing of the underhood warning label and secure to the top of the air intake plenum, as shown. (FIGURE HH)



11 PANEL RE-ASSEMBLY

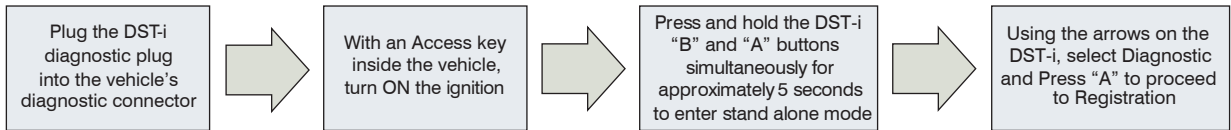
1. Plug the electrical connector into the lower dashboard airbag. Verify that the yellow connector lock is fully seated. Failure to properly seat the connector lock could result in the instrument cluster airbag light staying illuminated. Re-install the lower dashboard airbag/knee bolster and torque the bolts to 7.5 Nm +/- 2 Nm (0.76Kgf-m +/- 0.2 Kgf-m, 5.5 ft-lbs +/- 1.5 ft-lbs). (FIGURE II)
2. Re-install the driver's right side lower dashboard panel and secure with one (1) Phillips screw. (Refer to FIGURE E)
3. Plug in any previously removed connectors and re-install the driver's left side lower dashboard panel. (Refer to FIGURE D).
4. Re-install the one (1) Phillips screw on the left side of the dashboard that secures the lower dashboard panel in place. (Refer to FIGURE C)
5. Re-install the left side dashboard panel. (Refer to FIGURE B)
6. At the end of the installation, insert the Quick Reference Cards into the Owner's Information Kit and install the keychain warning tags on the remote start transmitter key rings.



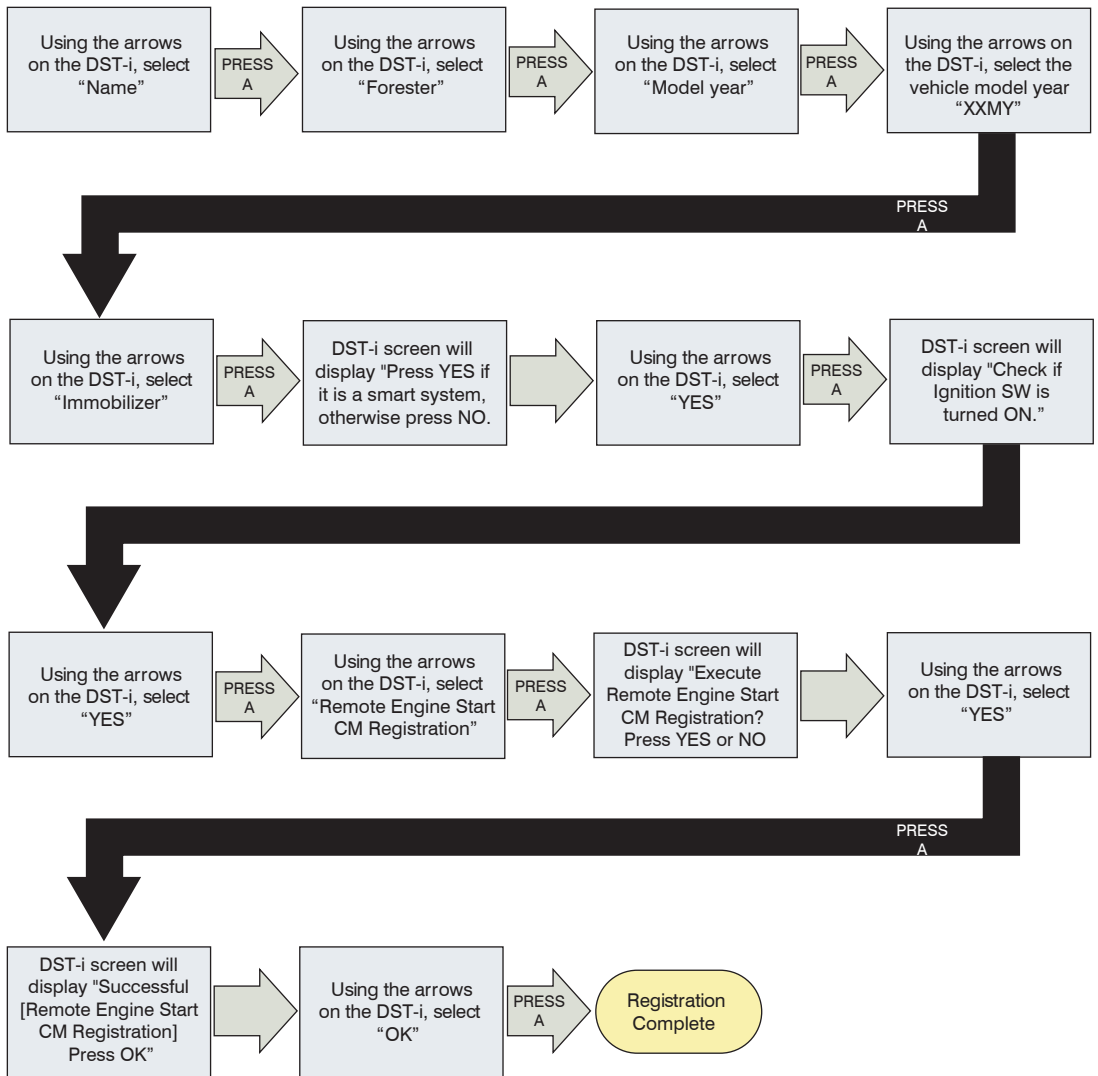
12 SYSTEM POWER-UP

1. After all connections are complete, re-connect the vehicle's negative battery terminal. Torque the 12mm nut to 7.5 Nm +/- 2 Nm (0.76Kgf-m +/- 0.2 Kgf-m, 5.5 ft-lbs +/- 1.5 ft-lbs).
2. Start the vehicle a minimum of one (1) time using the Access key prior to activating the remote engine start system. This is required to allow the vehicle electronic systems to re-synchronize.
3. With vehicle running via the Access key, verify that the instrument cluster airbag light turns off. If the airbag light remains on, refer to the vehicle service information for troubleshooting.
4. Refer to the vehicle Owner's manual for the Power Window Reset Procedure to restore the power window functions.

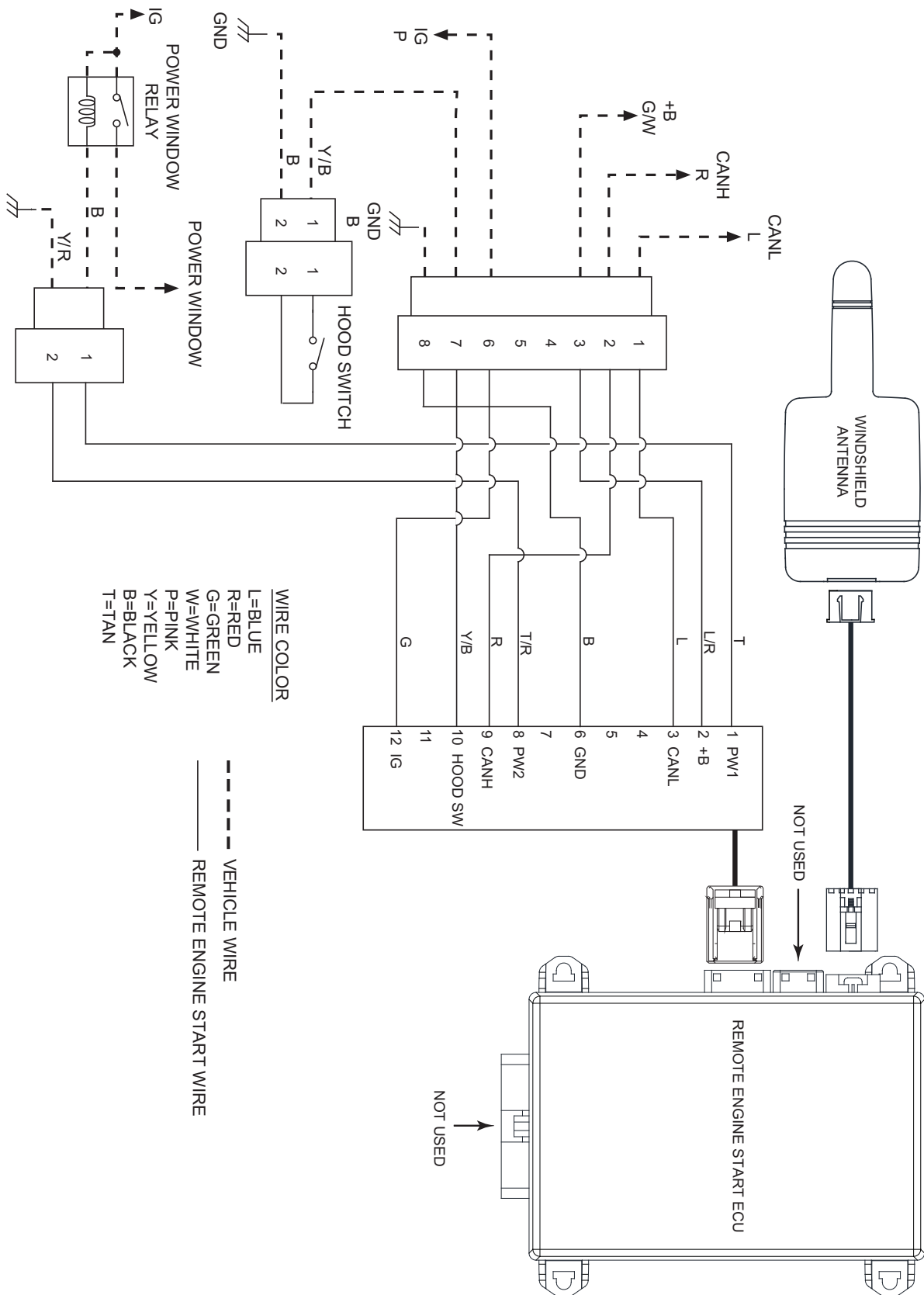
DST-i SETUP



REGISTRATION



REMOTE ENGINE START WIRING DIAGRAM



15 POST INSTALLATION CHECKLIST

- 1. REMOTE ENGINE START- Make sure the Access key is removed from the vehicle, the engine hood is closed and all doors and hatch are closed. Press the START button on the remote start transmitter twice within three (3) seconds - The vehicle's parking lights should flash one (1) time, the horn should honk one (1) time and then the vehicle should crank and start. Once started the parking lights will turn on and stay on and the transmitter button will flash one (1) time every three (3) seconds signifying the vehicle is started.
- 2. SHUT DOWN WITH DOOR OPENING - While the vehicle is running by the remote engine start, wait at least five (5) seconds and then confirm that all function's (lock, unlock, etc.) operate properly on the FACTORY transmitter. Once the FACTORY transmitter functionality is confirmed, press the UNLOCK button on FACTORY transmitter and open any vehicle door. The remote engine starter should shut down and the transmitter button should flash three (3) times indicating the system has shut down.
- 3. ACTIVATION WITH DOOR OPEN - Make sure the Access key is removed from the vehicle and the engine hood and hatch are closed. Open the driver's door, press the START button on the remote start transmitter twice within three (3) seconds - The vehicle's horn should honk and the parking lights should flash a total of six (6) times. The vehicle should not start with any door or hatch opened.
- 4. BRAKE PEDAL SAFETY - While sitting in the vehicle with all doors, hood and hatch closed, restart the vehicle using the remote engine starter and press the brake pedal. The vehicle should shut off.
- 5. HOOD SAFETY SWITCH - Open the engine hood and activate the remote engine starter. The horn should honk two (2) times signifying that hood safety switch is activated and the vehicle will not start.
- 6. HEATER / AC FUNCTION - With an Access key inside the vehicle, turn ON the ignition. Preset the vehicle's heater or air conditioning to the ON position. Turn OFF the ignition and remove the Access key from the vehicle. Activate the remote engine starter and verify that the heater or air conditioning turns on to the preset setting for manual climate controlled vehicles and turns to the "Full Auto" setting for electronic climate control vehicles.
- 7. 15-MINUTE RUN TIME - Activate the remote engine starter and allow the system to run for the 15-minute preset run time. The remote engine starter should shut the vehicle off in 15 minutes (+/- 10 seconds).
- 8. TRANSMITTER FUNCTIONALITY VERIFICATION - Activate the remote engine starter using both of the supplied single button remote start transmitters.

FUNCTIONAL TESTING IS NOW COMPLETE.

PART NUMBER H001SSG100	ISSUE 01	DATE 17 May 2016	SUBARU OF AMERICA	13 OF 13
---------------------------	-------------	---------------------	-------------------	----------



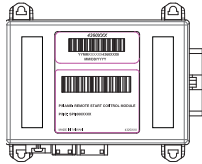
SUBARU

GENUINE PARTS
INSTRUCTIONS
D'INSTALLATION

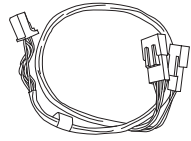
NUMÉRO DE PIÈCE : H001SSG100

DESCRIPTION : LONG RANGE PUSH COMMENCER
À DISTANCE DÉMARRAGE DU MOTEUR
SYSTÈME - FORESTER

1 CONTENU DE LA TROUSSE



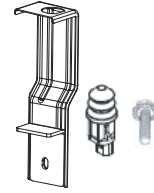
Module de démarrage à distance
Quantité = 1



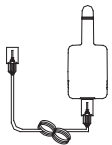
Faisceau cavalier prémonté
Quantité = 1



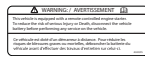
Télécommandes de démarrage à
distance avec étiquettes de mise en
garde
Quantité = 2



Contacteur de sécurité du capot,
support et boulon
Quantité = 1



Antenne et faisceau de câblage de
démarrage à distance
Quantité = 1



Étiquette de mise en garde du
compartiment moteur
Quantité = 1

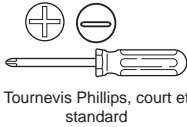


Carte de référence rapide
Quantité =
1 anglais, 1 français

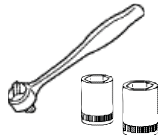


Attaches
20 cm Quantité = 10
53 cm Quantité = 1

2 OUTILS REQUIS



Tournevis Phillips, court et
standard



Clé à rochet, douille
de 10 mm et 12 mm



Clé
dynamométrique



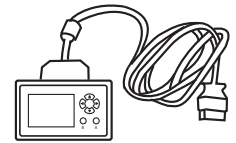
Coupe-fils



Outil de dépose de
panneau



Alcool et chiffon



Interface diagnostic DST-i
SSM IV



Règle

3 SIGNIFICATION DES SYMBOLES



: Enlever



: Poser



: Déconnecter



: Connecter



: Emplacement de l'attache ou de la vis

T

: Couple de serrage



: Desserrer



: Jeter



: Réutiliser

MISE EN GARDE : N'ATTACHEZ JAMAIS LE FAISCEAU OU LE MODULE DE DÉMARRAGE À DISTANCE À UN FAISCEAU JAUNE DU VÉHICULE OU À SON CONNECTEUR (SYSTÈME DE COUSSINS GONFLABLES).

NUMÉRO DE PIÈCE
H001SSG100

VERSION
01

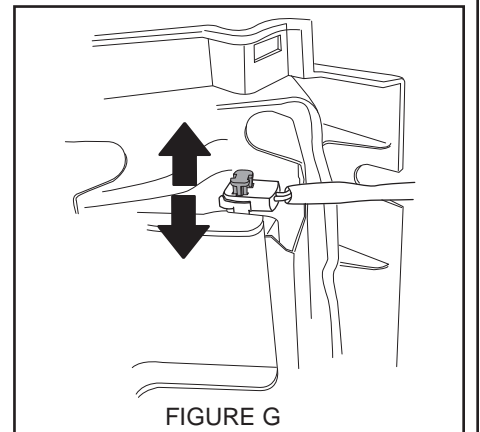
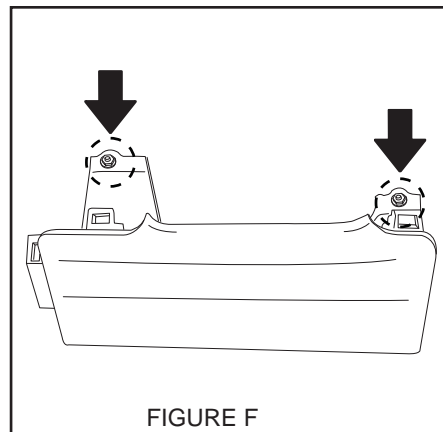
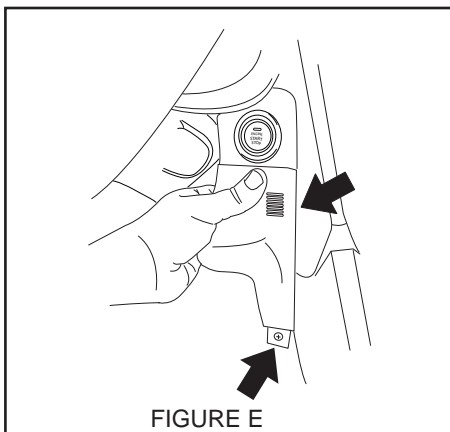
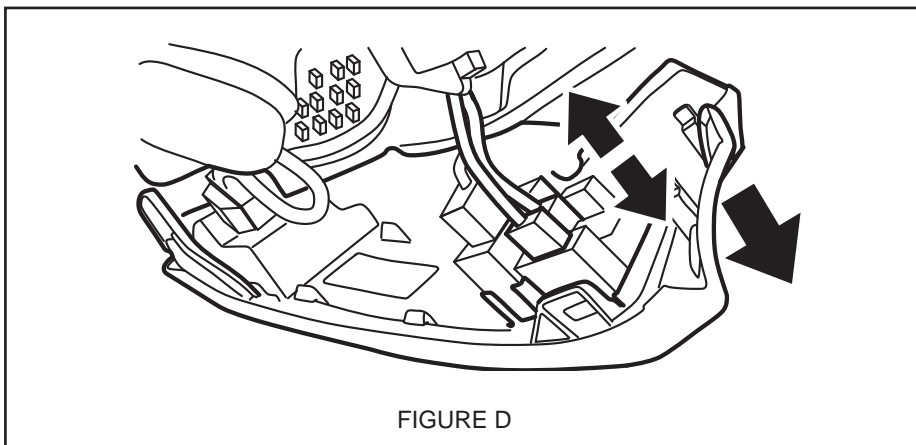
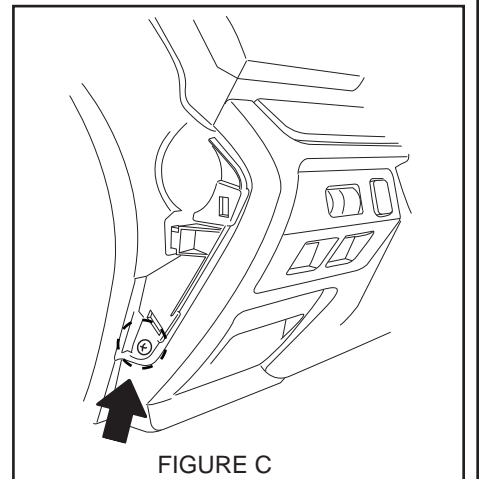
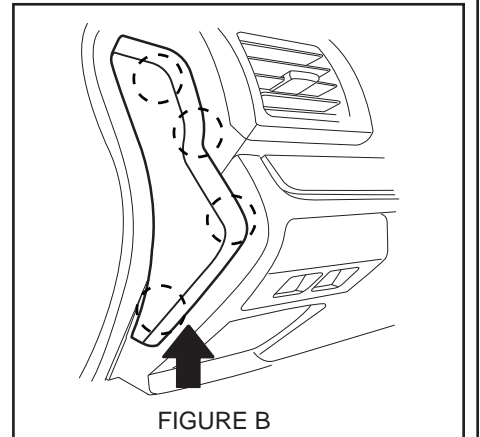
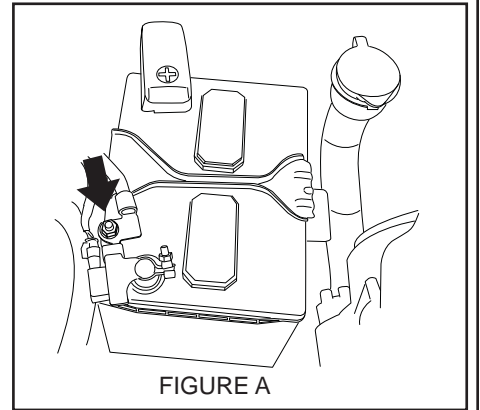
DATE
17 Mai 2016

SUBARU OF AMERICA

1 DE 13

4 PRÉPARATION DU VÉHICULE

1. Avec une clé à rochet et une douille de 12 mm, déconnectez la borne négative de la batterie. (FIGURE A)
REMARQUE : ATTENDEZ UNE (1) MINUTE AVANT DE PASSER À LA PROCHAINE ÉTAPE POUR QUE LE BLOC D'ALIMENTATION DES COUSSINS GONFLABLES AIT LE TEMPS DE SE DÉCHARGER.
2. Au moyen de l'outil de dépose de panneau, enlevez délicatement le côté gauche du tableau de bord en partant du bas vers le haut. (FIGURE B) Retirez une (1) des vis Phillips retenant le panneau inférieur au tableau de bord à l'extrémité gauche du tableau de bord. (FIGURE C)
3. Au moyen de l'outil de dépose de panneau, enlevez délicatement le panneau inférieur gauche du tableau de bord en le tirant directement. Débranchez tous les connecteurs fixés au tableau de bord. (FIGURE D)
4. Retirez une (1) vis Phillips du coin inférieur du panneau inférieur droit du tableau de bord côté conducteur. Enlevez délicatement le panneau inférieur droit du tableau de bord côté conducteur en le saisissant par le milieu et en le tirant droit vers l'arrière du véhicule. (FIGURE E)
REMARQUE : Ne tirez pas à partir du bord inférieur du panneau au risque de l'endommager, ainsi que ses chevilles de montage.
5. Avec une clé à rochet et une douille de 10 mm, retirez les deux (2) écrous de montage du protège-genou/coussin gonflable inférieur du conducteur. (FIGURE F) Après avoir enlevé le protège-genou/coussin gonflable inférieur, ouvrez le fermoir du connecteur jaune en le soulevant. Au moyen de l'outil de dépose de panneau, soulevez délicatement pour débrancher le connecteur électrique, puis rangez le protège-genou/coussin gonflable à un endroit sûr. (FIGURE G)



IMPORTANT! CETTE SECTION S'APPLIQUE SEULEMENT AUX VÉHICULES QUI NE SONT PAS ÉQUIPÉS D'UNE CAMÉRA EYESIGHT. POUR LES VÉHICULES ÉQUIPÉS D'UNE CAMÉRA EYESIGHT, SAUTEZ CETTE SECTION ET PASSEZ À LA SECTION 6.

RETRAIT DE LA CONSOLE AU PAVILLON

1. Ouvrez le porte-lunettes dans la console au pavillon (près du rétroviseur).
2. Retirez les deux (2) vis Phillips retenant l'avant de la console au pavillon. (FIGURE H)
3. Tirez la console au pavillon vers le bas pour libérer les attaches à l'arrière de la console au pavillon. Faites attention de ne pas abîmer la garniture de toit.
4. Débranchez tout connecteur électrique fixé à la console au pavillon.
5. Au moyen de l'outil de dépose de panneau, retirez les attaches de retenue fixant la garniture de toit / le support de console au pavillon. (FIGURE I)

DÉPOSE DU PANNEAU DU MONTANT AVANT

1. Au moyen de l'outil de dépose de panneau, enlevez délicatement le couvercle du haut-parleur d'aigus à l'extrémité gauche du tableau de bord en le soulevant. (FIGURE J)
2. Retirez le panneau du montant avant du côté conducteur en dégageant les deux (2) attaches ainsi que les attaches inférieures à l'endroit où le panneau du montant avant entre en contact avec le tableau de bord. (FIGURE K)
3. Tournez le panneau du montant avant pour le dégager du tableau de bord, puis dégagez l'attache de coussin gonflable à partir de la partie supérieure du panneau du montant avant. (FIGURE L)

MISE EN GARDE! Faites preuve de précaution pendant l'exécution de cette étape pour éviter d'endommager le rideau gonflable. Si le coussin gonflable est endommagé, il faut le remplacer.

4. Examinez la toile protectrice blanche (tissu non tissé) du rideau gonflable. Si le tissu est endommagé, le rideau gonflable doit être remplacé.

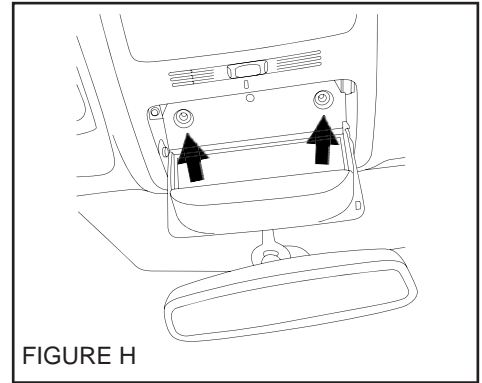


FIGURE H

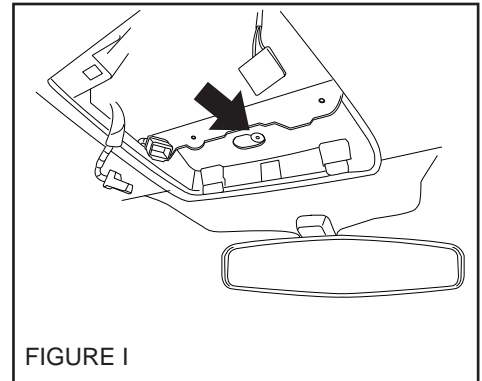


FIGURE I

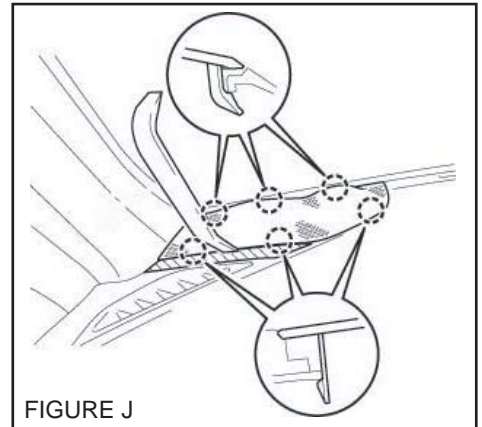


FIGURE J

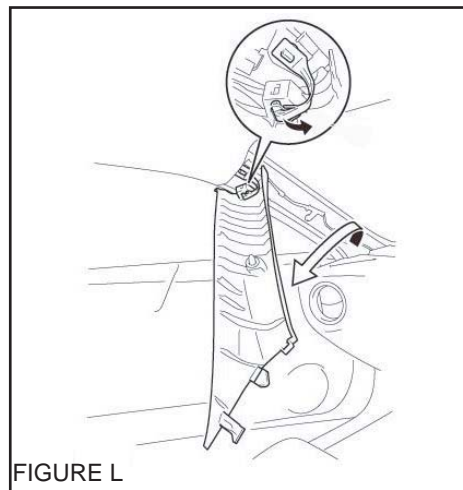


FIGURE L

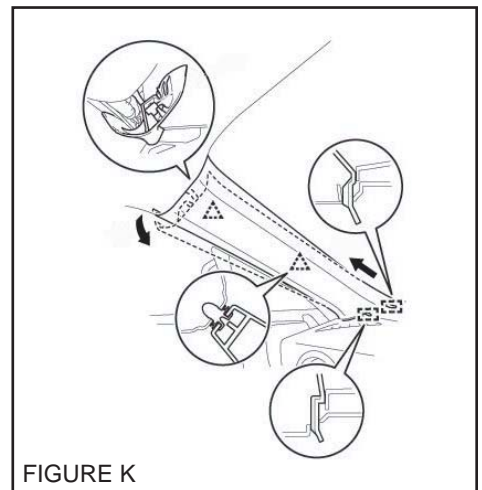


FIGURE K

MONTAGE ET ACHEMINEMENT DU CÂBLAGE DU PIED D'ANTENNE

1. Branchez le connecteur à 5 broches du faisceau de l'antenne au connecteur à 5 broches du pied d'antenne. (FIGURE M)
2. Nettoyez la surface de verre près de la zone de montage de l'antenne avec de l'alcool. Retirez l'endos adhésif du pied d'antenne et appliquez l'antenne sur le pare-brise. La base du pied d'antenne (extrémité connexion) doit être alignée avec la section du pare-brise au point de jonction des pellicules noire et à pois, et à 25 mm (1 po) à gauche de la marque centrale sur le pare-brise. (FIGURE N)
3. Acheminez le faisceau de l'antenne le long du pavillon et faites-le descendre le long du montant avant, puis glissez-le sous le tableau de bord côté conducteur par l'ouverture la plus proche du pare-brise; laissez le faisceau pendre librement derrière la boîte à fusibles montée sur le tableau de bord. (FIGURE O) Vous brancherez plus tard le faisceau de l'antenne au module de démarrage à distance.
4. Branchez le faisceau de l'antenne au câblage du véhicule à six (6) endroits le long du montant avant en utilisant les attaches de 20 cm fournies. (FIGURE P)
5. À l'aide des attaches de 20 cm fournies avec la trousse, attachez le faisceau de l'antenne au câblage situé à l'arrière de la boîte à fusibles du véhicule.
6. Réinstallez l'attache de coussin gonflable au panneau du montant avant, puis faites pivoter le panneau pour le remettre en place.
7. Réinstallez le panneau du montant avant et le couvercle du haut-parleur d'aigus du côté conducteur du tableau de bord.
8. Réinstallez le console au pavillon.

PASSEZ À LA SECTION 7

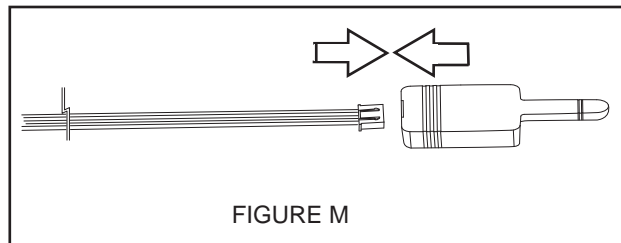


FIGURE M

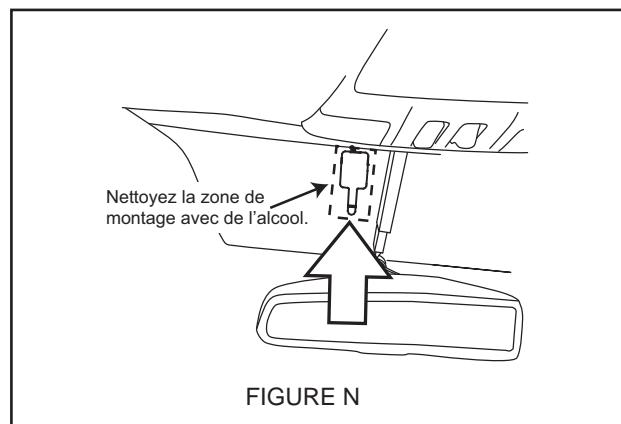


FIGURE N

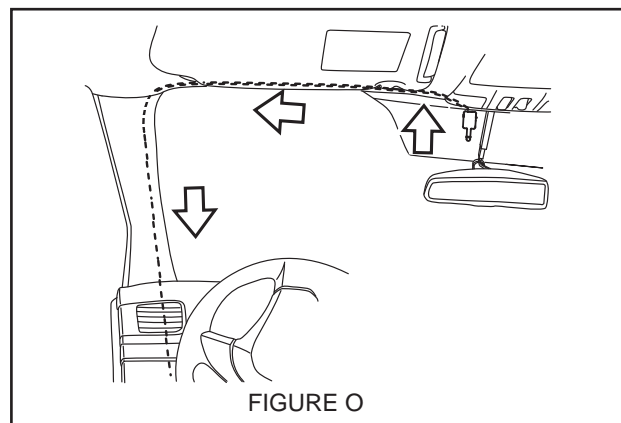


FIGURE O

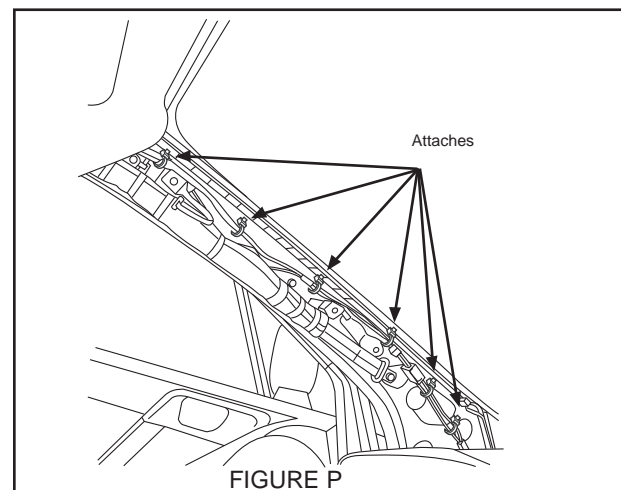


FIGURE P

IMPORTANT! CETTE SECTION S'APPLIQUE SEULEMENT AUX VÉHICULES ÉQUIPÉS D'UNE CAMÉRA EYESIGHT. POUR LES VÉHICULES QUI NE SONT PAS ÉQUIPÉS D'UNE CAMÉRA EYESIGHT, SAUTEZ CETTE SECTION ET RETOURNEZ À LA SECTION 5.

MONTAGE DE L'ANTENNE

1. Installez le pied d'antenne sur la partie supérieure gauche du pare-brise, près du pavillon et du panneau du montant avant du côté conducteur en orientant la saillie du pied d'antenne vers le côté conducteur. Nettoyez cet endroit consciencieusement à l'alcool. (FIGURE Q)
2. À l'aide d'une règle, veillez à ce que la partie supérieure gauche du pied d'antenne se trouve en ligne droite à 20 mm (3/4 po) de la partie supérieure droite du panneau du montant avant et à 10 mm (3/8 po) plus bas à partir du pavillon jusqu'au coin supérieur droit du pied d'antenne. Remarque : Le pied d'antenne doit être de niveau. (FIGURE Q)
3. Retirez l'endos adhésif et placez le pied d'antenne sur le pare-brise, comme le décrit l'étape 2 ci-dessus. (FIGURE Q)

DÉPOSE DU PANNEAU DU MONTANT AVANT

1. Au moyen de l'outil de dépose de panneau, enlevez délicatement le couvercle du haut-parleur d'aigus à l'extrémité gauche du tableau de bord en le soulevant. (FIGURE R)
2. Retirez le panneau du montant avant du côté conducteur en dégageant les deux (2) attaches ainsi que les attaches inférieures à l'endroit où le panneau du montant avant entre en contact avec le tableau de bord. (FIGURE S)
3. Tournez le panneau du montant avant pour le dégager du tableau de bord, puis dégagez l'attache de coussin gonflable à partir de la partie supérieure du panneau du montant avant. (FIGURE T)

MISE EN GARDE! Faites preuve de précaution pendant l'exécution de cette étape pour éviter d'endommager le rideau gonflable. Si le coussin gonflable est endommagé, il faut le remplacer.

4. Examinez la toile protectrice blanche (tissu non tissé) du rideau gonflable. Si le tissu est endommagé, le rideau gonflable doit être remplacé.

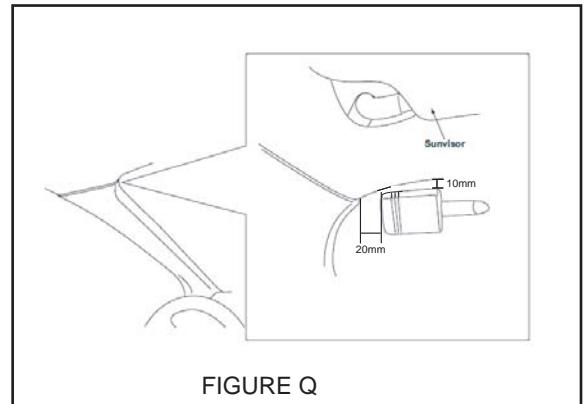


FIGURE Q

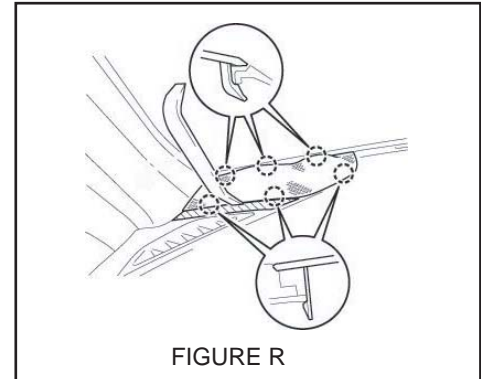


FIGURE R

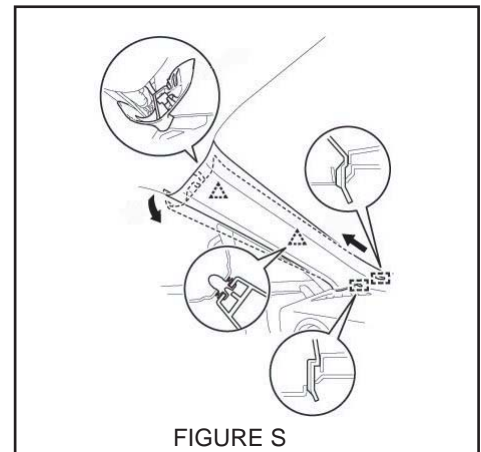


FIGURE S

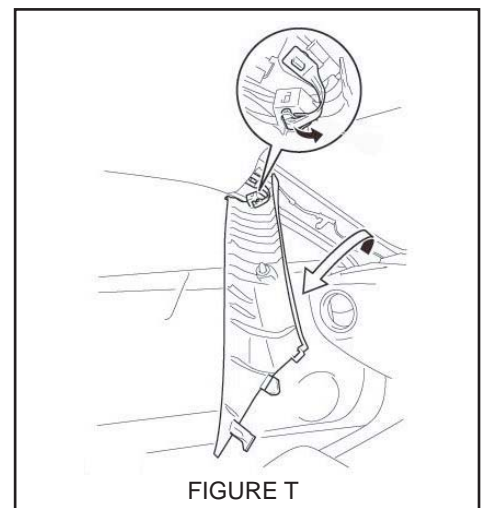


FIGURE T

ACHEMINEMENT DU FAISCEAU DE CÂBLAGE

1. Branchez le faisceau de l'antenne à 5 broches au pied d'antenne posé précédemment. (FIGURE U)
2. Acheminez le faisceau de l'antenne directement vers le pavillon, puis le long de ce dernier, et faites-le descendre le long du montant avant; ensuite, glissez-le sous le tableau de bord côté conducteur par l'ouverture la plus proche du pare-brise; laissez le faisceau pendre librement derrière la boîte à fusibles montée sur le tableau de bord. Vous brancherez plus tard le faisceau de l'antenne au module de démarrage à distance. (FIGURE V)
3. Branchez le faisceau de l'antenne au câblage du véhicule à six (6) endroits le long du montant avant en utilisant les attaches de 20 cm fournies. (FIGURE W)
4. À l'aide des attaches de 20 cm fournies avec la trousse, attachez le faisceau de l'antenne au câblage situé à l'arrière de la boîte à fusibles du véhicule.
5. Réinstallez l'attache de coussin gonflable au panneau du montant avant, puis faites pivoter le panneau pour le remettre en place.
6. Réinstallez le panneau du montant avant et le couvercle du haut-parleur d'aigus du côté conducteur du tableau de bord.

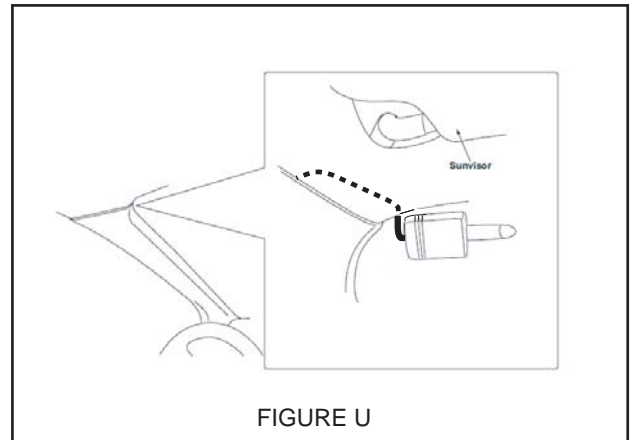


FIGURE U

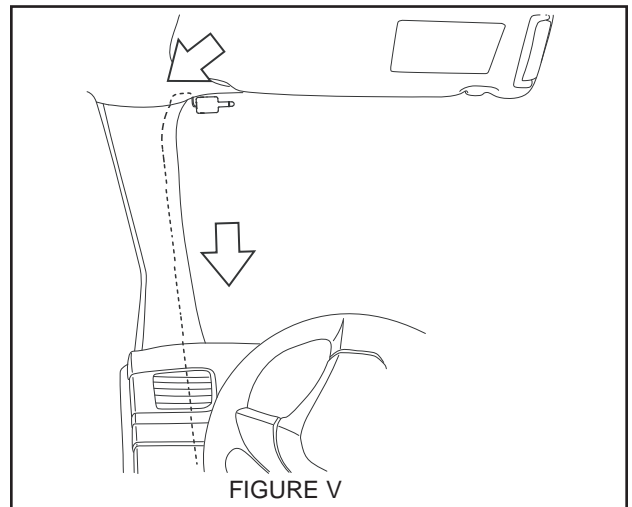


FIGURE V

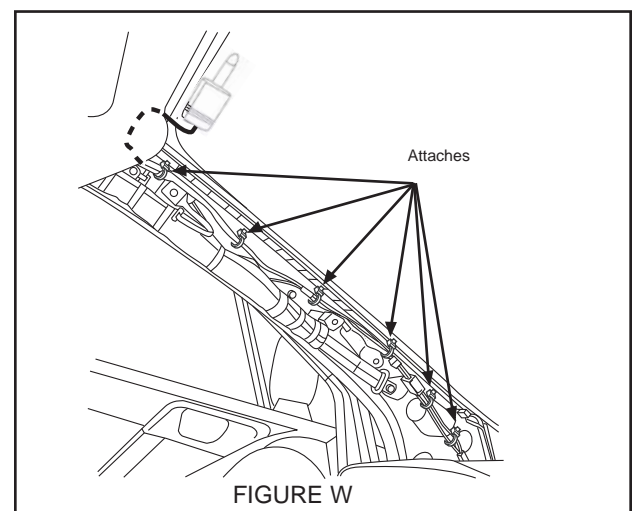
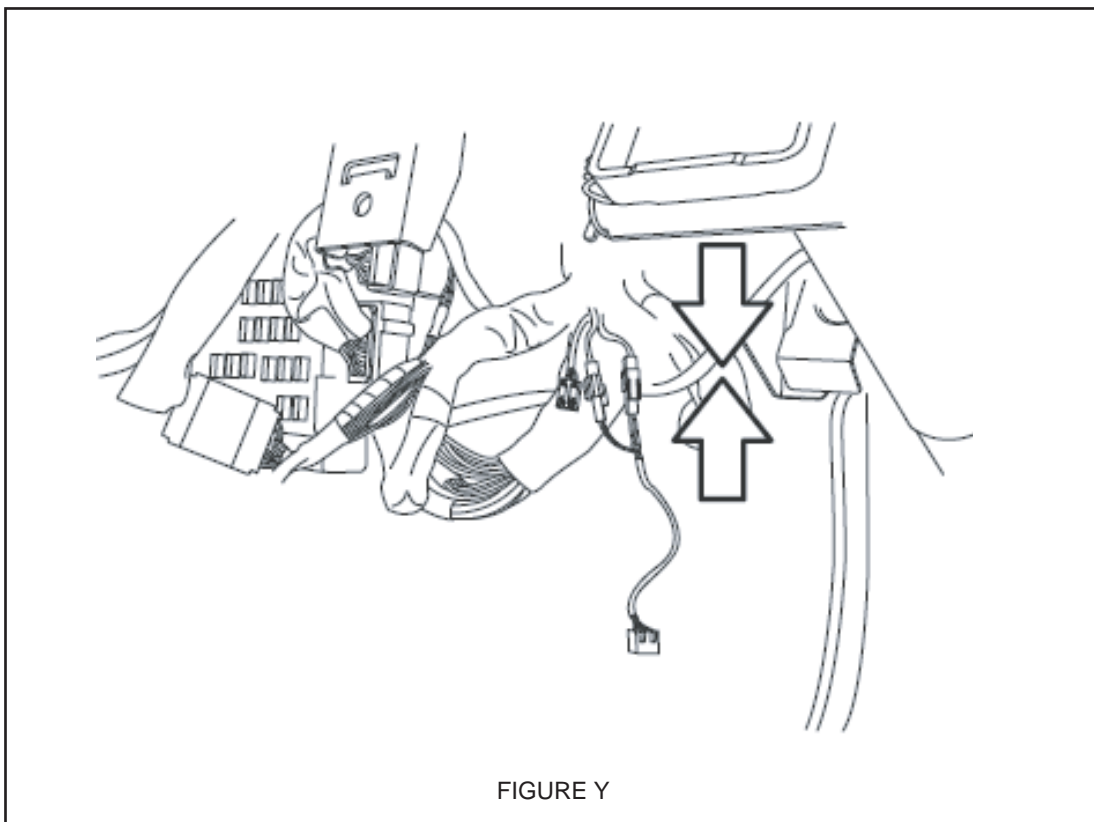
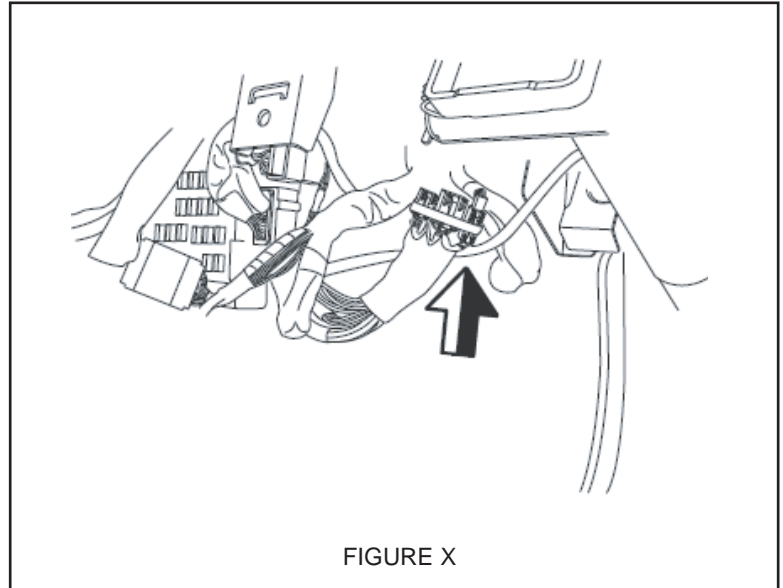


FIGURE W

7 CONNEXIONS DU FAISCEAU CAVALIER PRÉMONTÉ

1. Repérez les connecteurs prémontés 8 broches et 2 broches au centre gauche de la colonne de direction, près du point de montage du protège-genou/coussin gonflable sous le côté gauche du tableau de bord. Ces connecteurs sont attachés au câblage du véhicule à l'aide de ruban déchirable. (FIGURE X)
2. Une fois que vous avez trouvé le connecteur à 2 broches prémonté, débranchez et jetez son cavalier. (il est destiné au circuit de coupure du lève-glace).
3. Branchez les connecteurs à 8 et 2 broches du faisceau cavalier prémonté du démarreur à distance dans les connecteurs prémontés correspondants. (FIGURE Y)



8 MONTAGE DU MODULE DE DÉMARRAGE À DISTANCE

1. Repérez le module de boîte automatique du véhicule, du côté gauche de la colonne de direction. (FIGURE Z)
2. Acheminez le faisceau de l'antenne de pare-brise et le faisceau cavalier de démarrage à distance jusqu'au module de boîte automatique et branchez-les aux connecteurs correspondants du module de démarrage à distance. (FIGURE AA)
3. Attachez le module de démarrage à distance au côté gauche du module de boîte automatique avec l'attache 3M Dual Lock^{MC} et le ruban adhésif double-face fournis, en vous assurant que le grand connecteur de faisceau de démarrage à distance à huit broches (non utilisé) est orienté vers le bas (même direction que le connecteur du module de boîte automatique). (FIGURE BB)
4. Pour garantir un montage plus sûr, fixez également le module de démarrage à distance au module de boîte automatique avec l'attache de 53 cm fournie. Faites-la passer entre les connecteurs 12 broches et 5 broches du module de démarrage à distance, du côté droit du support du module de boîte automatique. (FIGURE BB)
5. À l'aide d'une (1) attache de 20 cm fournie, regroupez tout faisceau d'antenne et faisceau cavalier de démarrage à distance excédentaires et attachez le tout au câblage existant situé à l'arrière de la boîte à fusibles du véhicule. (FIGURE CC)

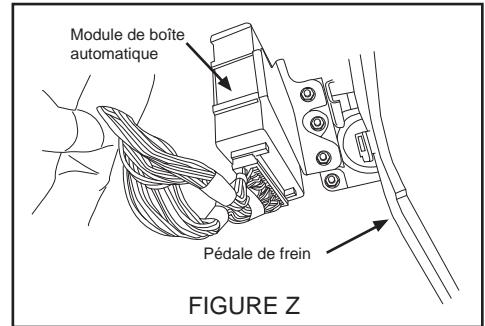


FIGURE Z

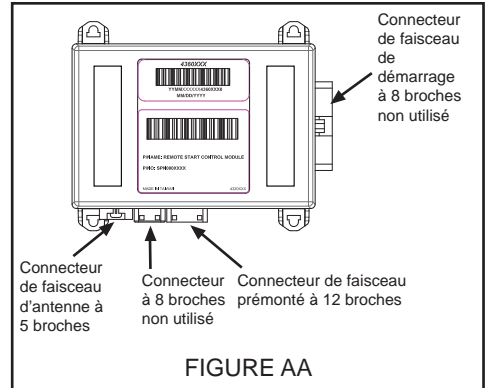


FIGURE AA

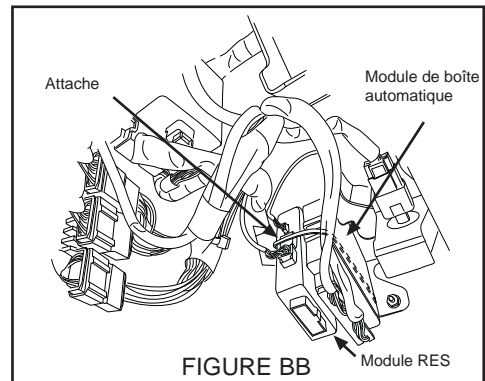


FIGURE BB

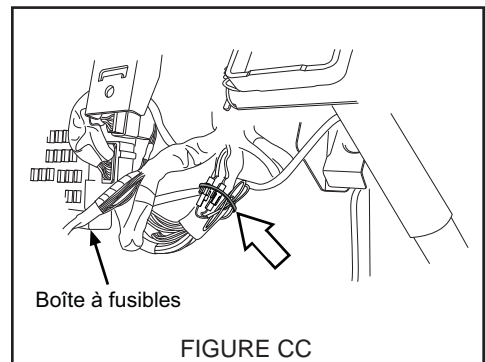


FIGURE CC

1. Dans le compartiment moteur, repérez le connecteur à 2 broches prémonté du conducteur de sécurité du capot, qui est fixé au faisceau de l'unité ABS avec du ruban déchirable, derrière le boîtier du filtre à air, côté passager du véhicule. (FIGURE DD)
2. Véhicules équipés d'un moteur non turbo – Montez le support du contacteur de sécurité du capot sur le support intérieur/inférieur de l'aile côté passager avec le boulon de 10 mm fourni et l'écrou soudé prémonté dans le support intérieur de l'aile. (FIGURE EE)
Remarque : La languette extérieure au-dessus de l'orifice de montage du support de contacteur de capot doit être appuyée fermement sur le dessus du support de l'aile et sous la protection des garde-boues noire pour éviter une rotation du support. Si nécessaire, il faut appliquer une légère force sur le dessus du support en le fixant pour s'assurer que la languette est appuyée fermement sur le châssis du véhicule. Passez à l'étape 4.
3. Véhicules équipés d'un moteur turbo – Repérez et retirez le boulon de 10 mm fixant la boîte à fusibles auxiliaire au support intérieur/inférieur de l'aile côté passager. Reportez-vous aux FIGURES CC et DD pour voir où se situe l'écrou soudé prémonté dans le support de l'aile et le point de montage du support de contacteur de capot. Montez le support du contacteur de sécurité du capot sur le support intérieur/inférieur de l'aile côté passager (entre le support de boîte à fusibles auxiliaire et le châssis du véhicule) au moyen du boulon de 10 mm fourni. (FIGURE FF)
Remarque : La languette extérieure au-dessus de l'orifice de montage du support de contacteur de capot doit être appuyée fermement sur le dessus du support de l'aile et sous la protection des garde-boues noire pour éviter une rotation du support. Si nécessaire, il faut appliquer une légère force sur le dessus du support en le fixant pour s'assurer que la languette est appuyée fermement sur le châssis du véhicule.
4. Serrez le boulon à 10,8 +/- 2 Nm (1,10 +/- 0,2 kgf-m, 8 +/- 1,5 lb-pi).
5. Enclenchez fermement le contacteur de sécurité du capot dans son support et branchez le connecteur femelle à 2 broches prémonté du véhicule à la base du contacteur. À l'aide de deux (2) attaches de 20 cm fournies, fixez le faisceau du contacteur de capot et au support de contacteur de capot et au câblage installé en usine. (FIGURE GG)

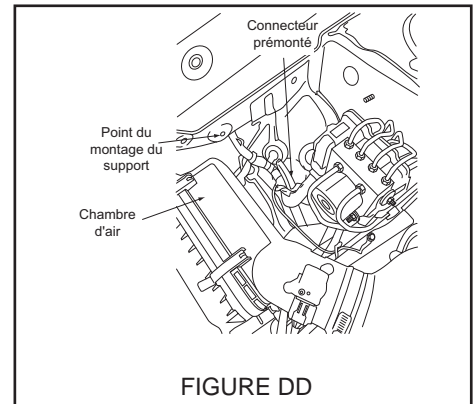


FIGURE DD

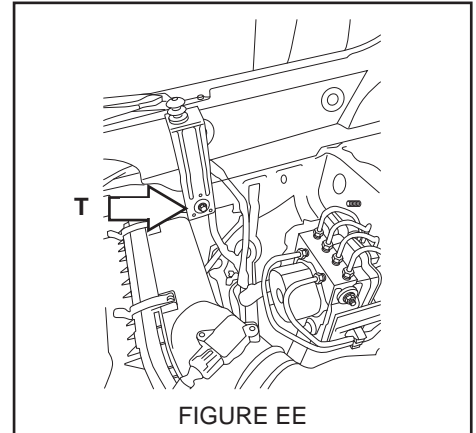


FIGURE EE

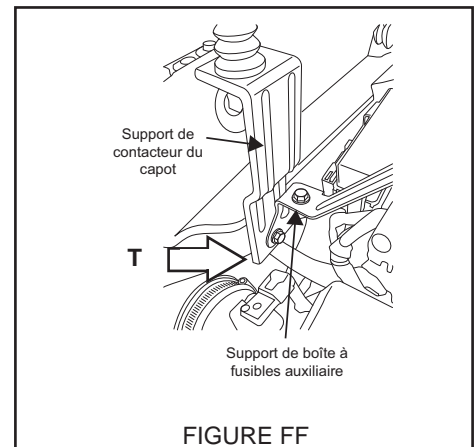


FIGURE FF

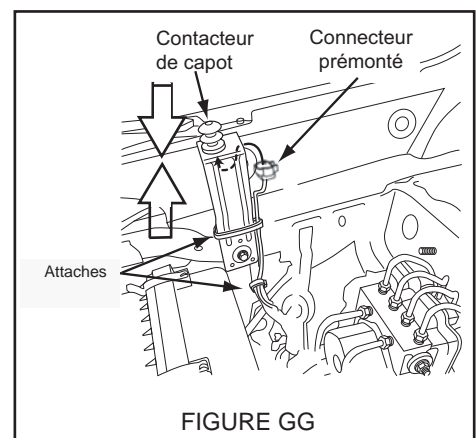


FIGURE GG

10 ÉTIQUETTE DE MISE EN GARDE DU COMPARTIMENT MOTEUR

1. En utilisant de l'alcool, nettoyez la partie supérieure de la chambre d'admission d'air à proximité du support de faisceau de radiateur.
2. Retirez l'endos adhésif de l'étiquette de mise en garde du compartiment moteur et collez-la sur le haut de la chambre d'admission d'air, comme le montre l'illustration. (FIGURE HH)

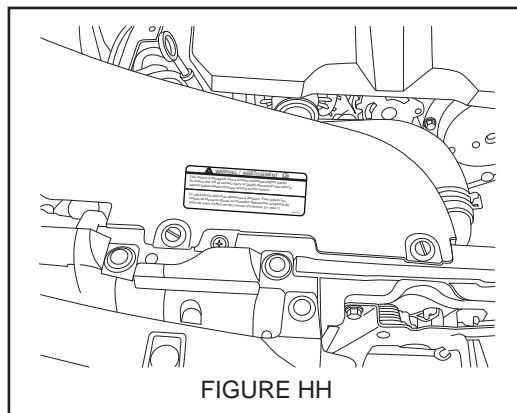


FIGURE HH

11 RÉASSEMBLAGE DU PANNEAU

1. Branchez le connecteur électrique au coussin gonflable du tableau de bord inférieur. Vérifiez que le fermoir du connecteur jaune est complètement enfoncé. Le défaut de ne pas enclencher adéquatement le fermoir du connecteur pourrait faire en sorte que le témoin de coussin gonflable du tableau de bord reste allumé. Remontez le protège-genou/coussin gonflable du tableau de bord et serrez ses boulons à $7.5 \pm 2 \text{ Nm}$ ($0.76 \pm 0,2 \text{ kgf-m}$, $5.5 \pm 1,5 \text{ lb-pi}$). (FIGURE II)
2. Remontez le panneau inférieur droit du tableau de bord et fixez-le avec une (1) vis Phillips. (Voir la FIGURE E)
3. Rebranchez tous les connecteurs débranchés au démontage et remontez le panneau inférieur gauche du tableau de bord côté conducteur. (Voir la FIGURE D).
4. Remettez la vis Phillips qui sert à fixer le panneau inférieur du tableau de bord sur le côté gauche du tableau de bord. (voir la FIGURE C)
5. Remontez le panneau gauche du tableau de bord. (Voir la FIGURE B)
6. À la fin de l'installation, glissez la Carte de référence rapide dans le dossier du propriétaire et installez les étiquettes de mise en garde sur le porte-clés de la télécommande de démarrage à distance.

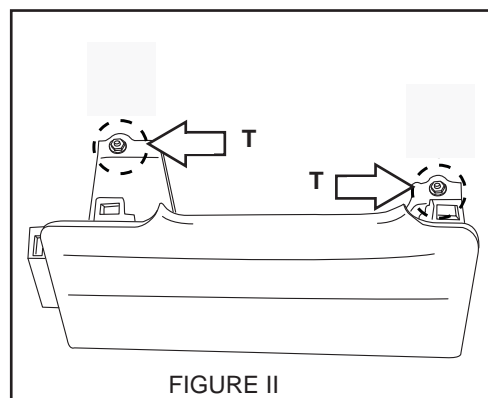
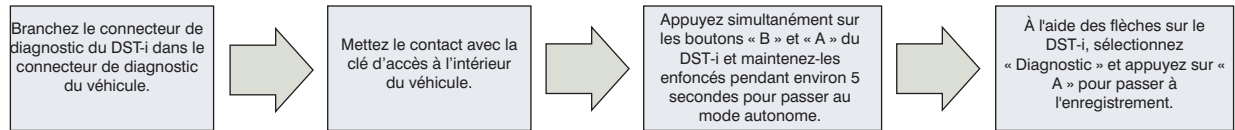


FIGURE II

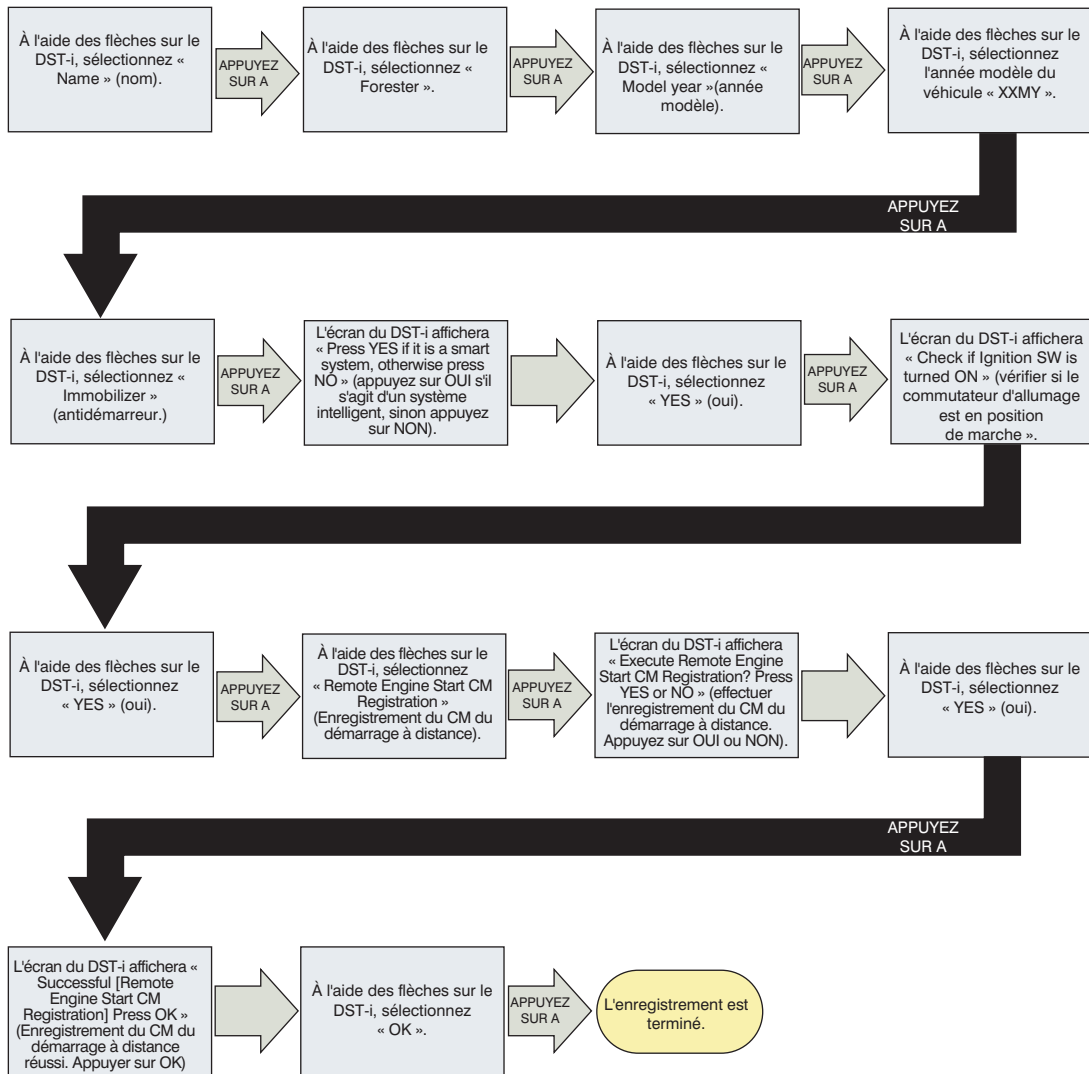
12 DÉMARRAGE DU SYSTÈME

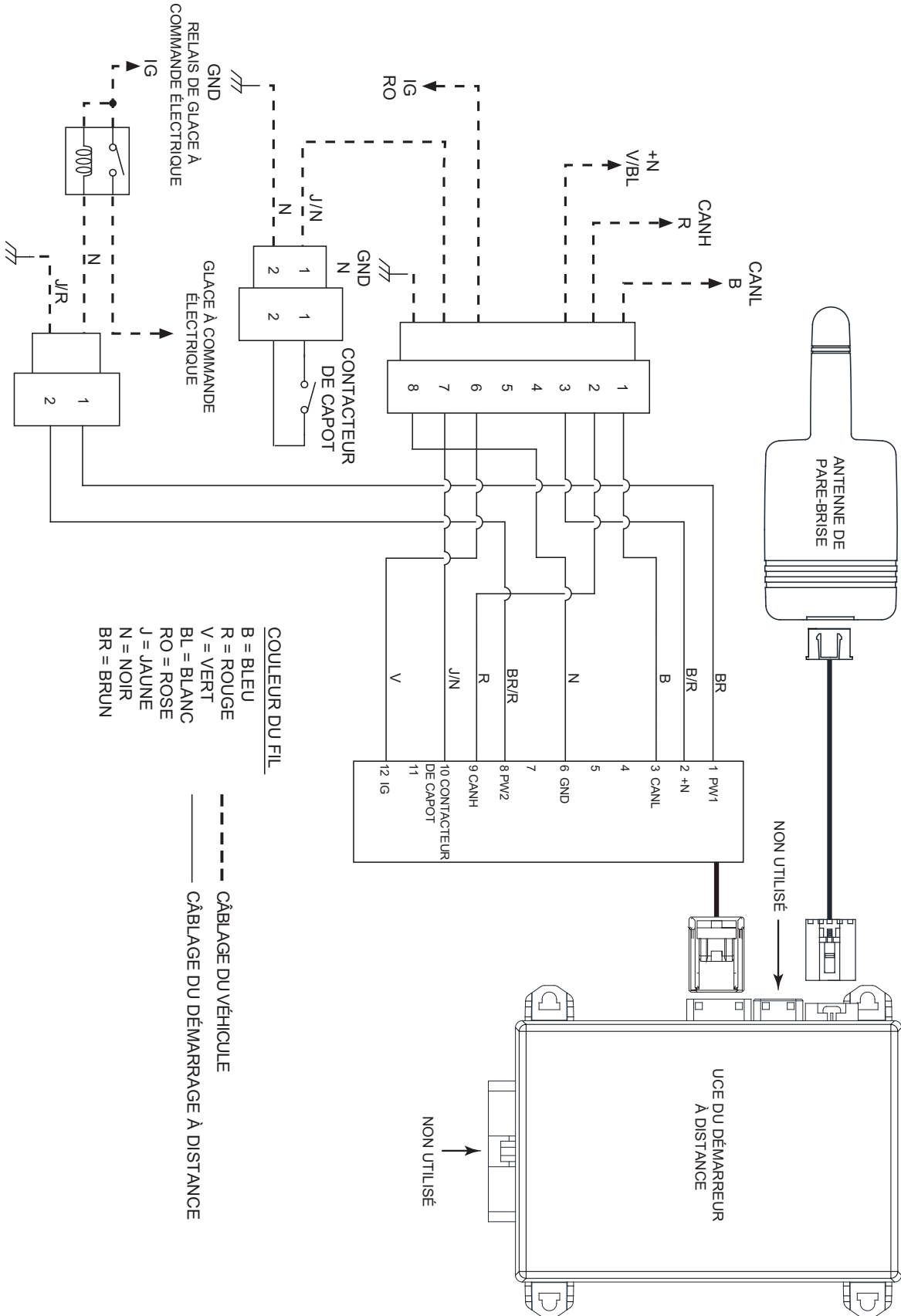
1. Une fois toutes les connexions terminées, rebranchez la borne négative de la batterie du véhicule. Serrer l'écrou 12 mm $7.5 \pm 2 \text{ Nm}$ ($0.76 \pm 0,2 \text{ kgf-m}$, $5.5 \pm 1,5 \text{ lb-pi}$).
2. Faites démarrer le véhicule au moins une (1) fois avec la clé d'accès avant d'essayer le système de démarrage à distance. Cette précaution est nécessaire pour permettre aux systèmes électroniques du véhicule de se resynchroniser.
3. Alors que le moteur est en marche avec la clé d'accès, vérifiez si le témoin de coussin gonflable du tableau de bord s'éteint. Si le témoin de coussin gonflable reste allumé, reportez-vous à l'information de service après-vente du véhicule pour avoir des précisions sur le dépannage.
4. Consultez le manuel du conducteur du véhicule pour la vitre électrique Procédure de réinitialisation pour restaurer les fonctions de la fenêtre de puissance .

CONFIGURATION DU DST-i



ENREGISTREMENT





- 1. DÉMARRAGE À DISTANCE – Assurez-vous que la clé d'accès est retirée du véhicule et que le capot moteur ainsi que toutes les portes sont fermées, y compris le hayon. Appuyez deux fois sur le bouton START de la télécommande de démarrage à distance en moins de trois (3) secondes – Les feux de position doivent clignoter une (1) fois, l'avertisseur sonore retentit une (1) fois et le moteur doit démarrer. Après le démarrage, les feux de position restent allumés et le bouton de la télécommande clignote une (1) fois toutes les trois (3) secondes pour indiquer que le moteur est en marche.
- 2. ARRÊT À L'OUVERTURE D'UNE PORTE – Pendant que le moteur est en marche après un démarrage à distance, attendez au moins cinq (5) secondes, puis confirmez la bonne marche de toutes les fonctions (verrouillage, déverrouillage, etc.) avec la télécommande D'ORIGINE. Après avoir confirmé le fonctionnement de la télécommande D'ORIGINE, appuyez sur le bouton de DÉVERROUILLAGE de cette télécommande et ouvrez n'importe laquelle des portes. Le système de démarrage à distance doit s'arrêter et la télécommande doit clignoter trois (3) fois pour indiquer l'arrêt de ce système.
- 3. ACTIVATION AVEC PORTE OUVERTE – Assurez-vous que la clé d'accès est retirée du véhicule et que le capot et le hayon sont fermés. Ouvrez la porte du conducteur, appuyez deux fois sur le bouton START de la télécommande de démarrage à distance en moins de trois (3) secondes; le klaxon du véhicule doit sonner et les feux de position doivent clignoter un total de six (6) fois. Le moteur ne doit pas démarrer si n'importe laquelle des portes est ouverte, y compris le hayon.
- 4. SÉCURITÉ-FREINAGE – En prenant place derrière de volant avec toutes les portes fermées (y compris le capot et le hayon), redémarrez avec le système de démarrage à distance, puis appuyez sur la pédale de freinage : le moteur doit s'arrêter. Le moteur doit s'arrêter.
- 5. CONTACTEUR DE SÉCURITÉ DU CAPOT - Ouvrez le capot et activez le système de démarrage à distance. L'avertisseur sonore doit retentir deux (2) fois, indiquant que le contacteur de sécurité du capot est activé et que le moteur ne démarrera pas.
- 6. CHAUFFAGE ET CLIMATISATION – Mettez le contact avec la clé d'accès à l'intérieur du véhicule. Mettez en marche le chauffage ou la climatisation. Coupez le contact et retirez la clé d'accès du véhicule. Activez le système de démarrage à distance et vérifiez si le chauffage ou la climatisation se met en marche au réglage choisi avant la coupure du contact, s'il s'agit d'un système CVC manuel, ou au réglage maximum automatique, s'il s'agit d'un système CVC électronique.
- 7. DURÉE MAXIMALE DE FONCTIONNEMENT DE 15 MINUTES – Activez le système de démarrage à distance et laissez le moteur tourner pendant 15 minutes. Le système de démarrage à distance devrait arrêter le moteur au bout de 15 minutes (+/- 10 secondes).
- 8. VÉRIFICATION DU FONCTIONNEMENT DE LA TÉLÉCOMMANDE – Activez le système de démarrage à distance tour à tour avec les deux télécommandes de démarrage à distance à un bouton fournies.

L'ESSAI DE FONCTIONNEMENT EST MAINTENANT TERMINÉ.