

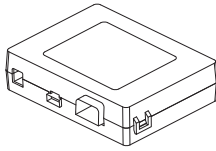


GENUINE PARTS INSTALLATION INSTRUCTIONS

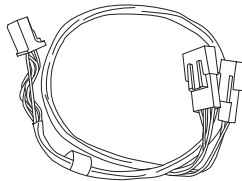
PART NUMBER: H001SFL300

DESCRIPTION: LONG RANGE PUSH START
REMOTE ENGINE START SYSTEM
IMPREZA / CROSSTREK

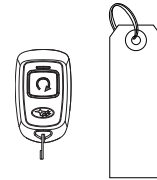
1 KIT CONTENTS



Remote Engine Start
Control Module (ECU)
Quantity=1



Pre-Arranged
Jumper Wiring Harness
Quantity=1



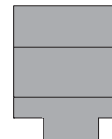
Remote Engine Start
Transmitters w/ Warning Tags
Quantity=2



Under Hood
Warning Label
Quantity=1



Quick Reference Card
Quantity=1 English,
1 French

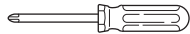


ECU Foam Tape
Quantity=1



Tie Wraps
20cm Quantity=4
39cm Quantity=1

2 TOOLS REQUIRED



Phillips Screwdriver
Short and Standard



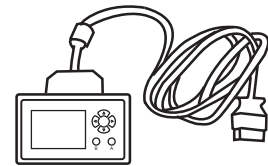
Torque Wrench



Panel Removal Tool



Wire Cutters



SSM IV (DST-i)
Diagnostic Interface



Ratchet, 10mm Socket &
Extension



Alcohol and Towel

3 MEANING OF CHARACTERS



: Remove

T : Tighten Torque



: Install



: Loosen



: Disconnect



: Discard



: Connect



: Re-use



: Location of Clip or Screw

CAUTION: DO NOT SECURE ANY REMOTE START HARNESSSES TO ANY YELLOW HARNESSSES / CONNECTORS (AIRBAG SYSTEM) IN THE VEHICLE.

PART NUMBER
H001SFL300

ISSUE
00

DATE
22 Jun 2018

SUBARU OF AMERICA

1 OF 7

4 VEHICLE PREPARATION

1. Using a 10mm socket/ratchet, disconnect the negative battery terminal. (FIGURE A)

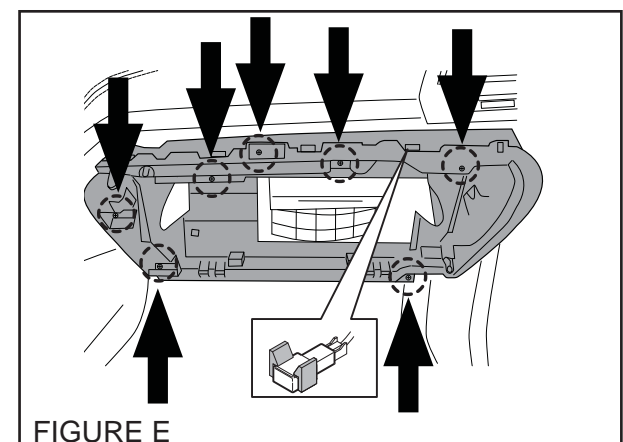
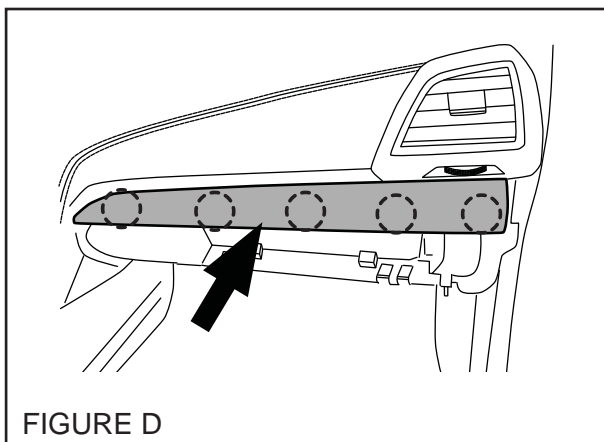
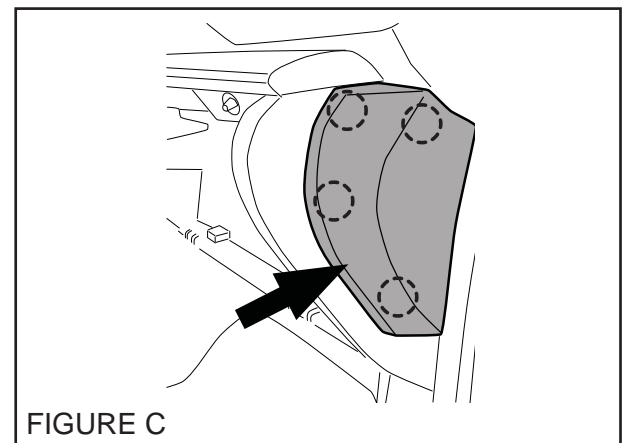
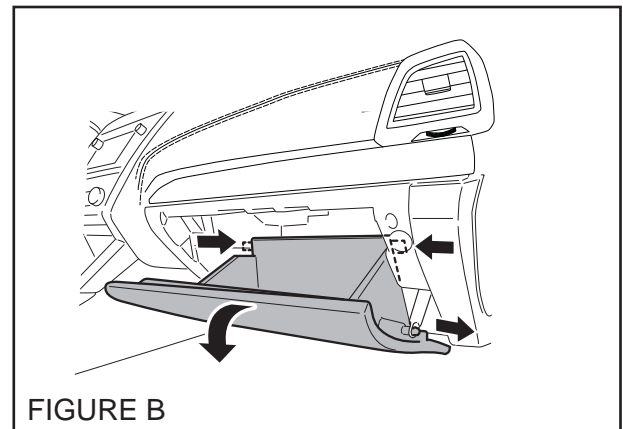
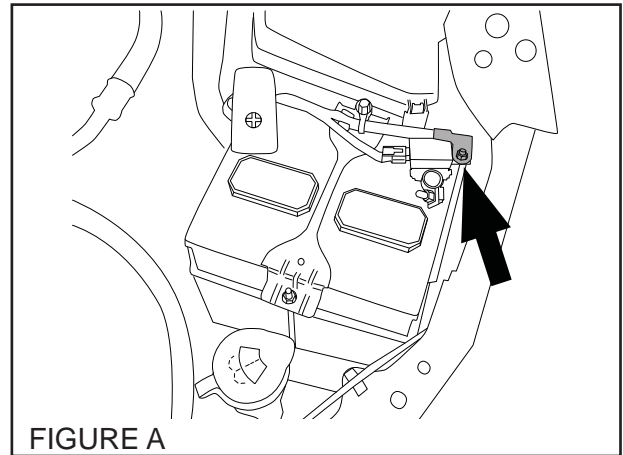
NOTE: Do not disconnect the battery cable from the battery post.

2. Open the glove box and press inward on the sides of the glove box to disengage the retaining tabs from the glove box inner cover. Disconnect the strut from the glove box. (FIGURE B)

3. Using a panel removal tool, carefully remove the right side dashboard panel by starting at the bottom access notch and working upward to disengage four (4) pressure clips. (FIGURE C)

4. Using a panel removal tool, carefully lift upward to disengage (4) pressure clips and one (1) finger clip and then pull rearward to remove the passenger's side ornament panel. (FIGURE D)

5. Using a Phillips screwdriver, remove seven (7) Phillips screws securing the glove box inner cover. Disengage the six (6) pressure clips and disconnect the glove box lamp connector to remove the glove box inner cover. (FIGURE E)



5 REMOTE ENGINE START ECU MOUNTING

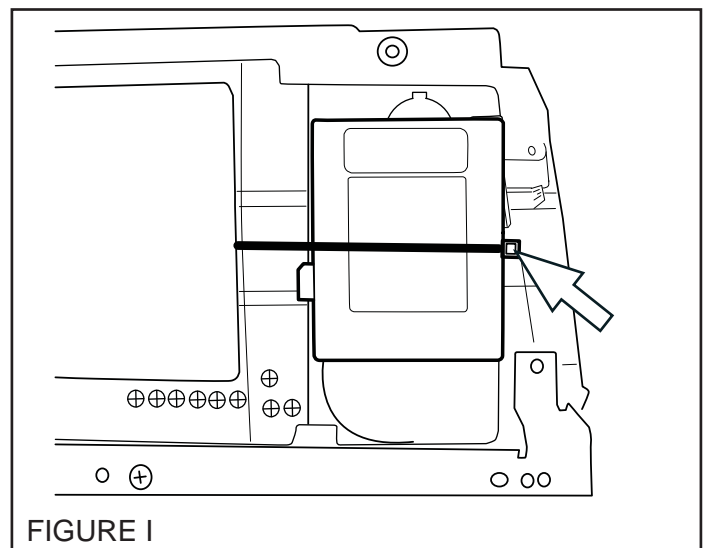
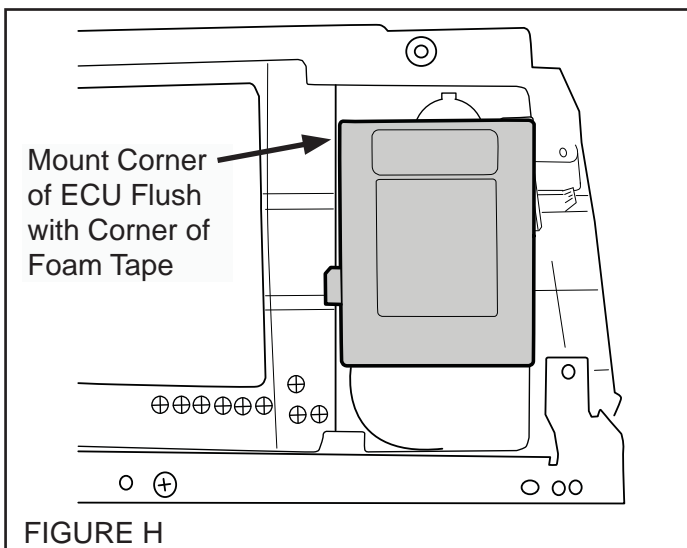
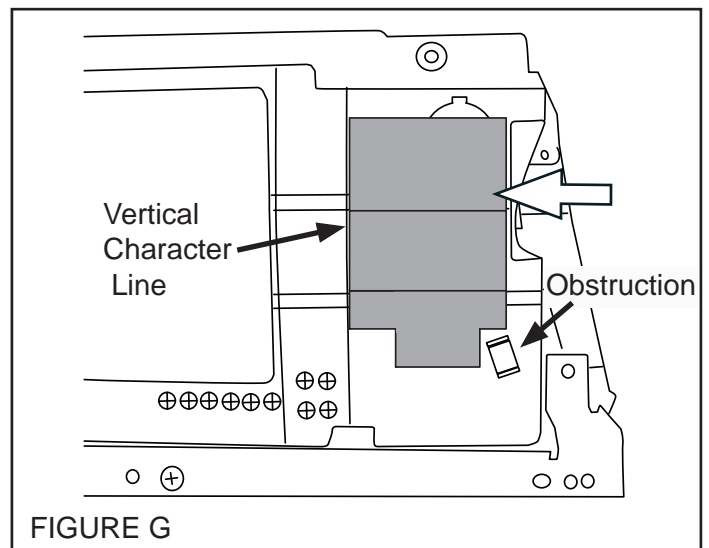
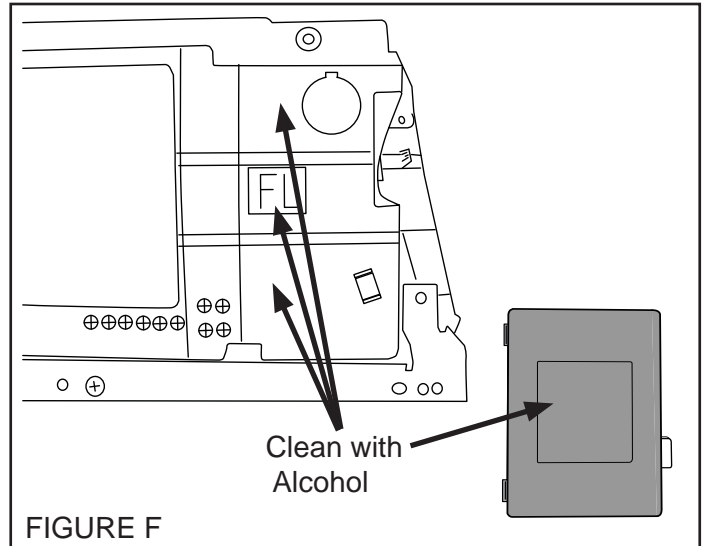
1. Locate the glove box inner cover and remote engine start ECU. Using alcohol, clean the back side of the glove box inner cover and ECU, as shown. (FIGURE F)
Using the supplied double sided tape, remove the three (3) small release liners and attach the tape to the glove box inner cover. Ensure the tape is positioned against the vertical character line and flat against the multi-level inner cover. Press firmly in place for at least 30 seconds. (FIGURE G)

NOTE: Ensure the double sided tape is positioned away from any obstructions on the glove box inner cover.

2. Remove the one (1) large release liner from the double sided tape and attach the remote engine start ECU. Ensure the corner of the ECU, closest to the small gray connector, is flush with the upper left corner of the tape, as shown. Press firmly in place for at least 30 seconds. (FIGURE H)

NOTE: Ensure the ECU connectors will be facing toward the passenger's side of the vehicle when the inner cover is replaced.

3. Using one (1) of the supplied 39cm tie wraps, secure the remote engine start ECU to the glove box inner cover. Trim off the excess tie wrap. (FIGURE I)



6 PRE-ARRANGED JUMPER HARNESS CONNECTIONS

1. Locate and release the vehicle's 8-pin and 2-pin pre-fit connectors secured to the vehicle's wire harness with breakaway tape near the upper passenger's side glove box area. (FIGURE J)
2. When the vehicle's 8-pin and 2-pin pre-fit connectors are free from the breakaway tape, unplug and discard the 2-pin mating connector/wire jumper. (This is used for the power window interrupt circuit).
3. Plug the remote engine start pre-arranged jumper harness 8-pin and 2-pin connectors into the corresponding pre-fit connectors. (FIGURE K)
4. Secure the pre-arranged jumper harness to the vehicle's wire harness using three (3) of the supplied 20cm tie wraps. Trim off the excess tie wraps. (FIGURE L)
5. Plug the pre-arranged jumper harness 12-pin connector into the 12-pin white port on the remote engine start ECU, previously mounted to the back side of the glove box inner cover (Step 5).

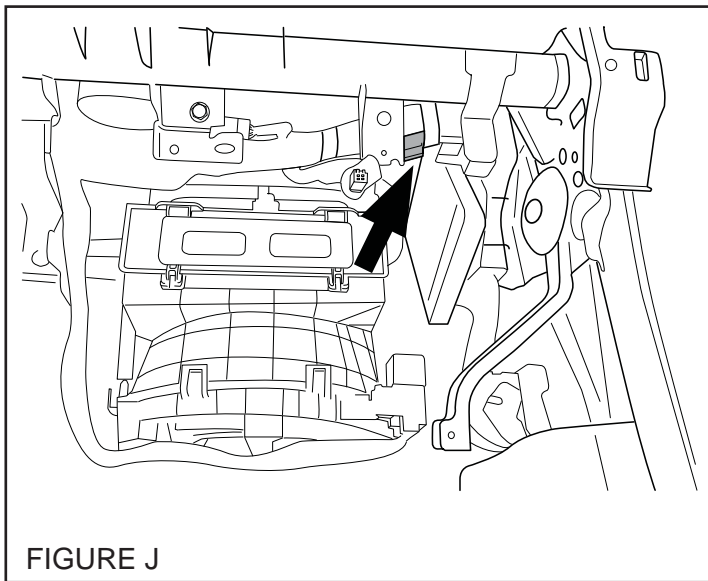


FIGURE J

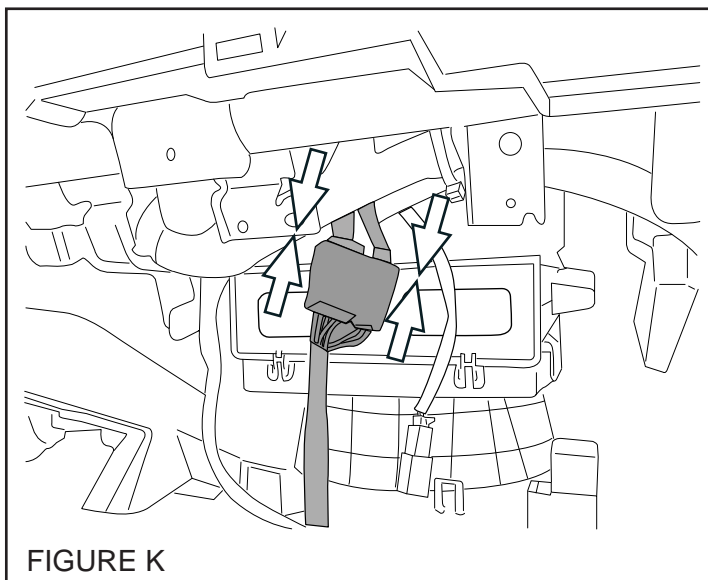


FIGURE K

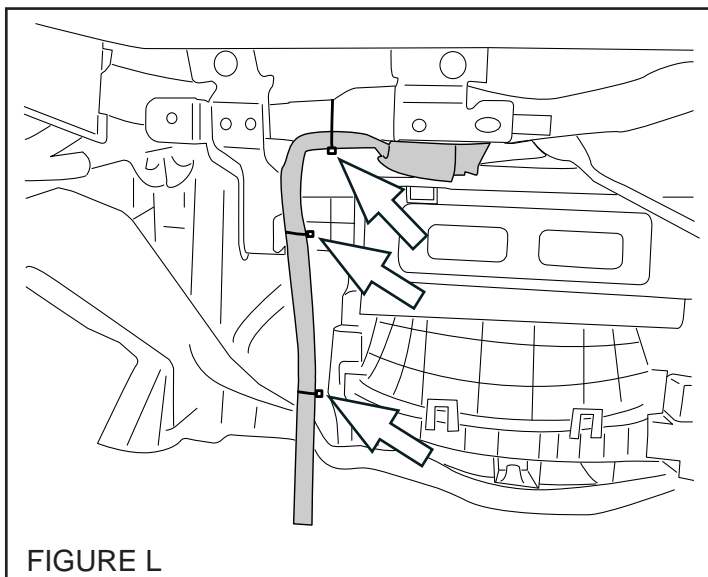


FIGURE L

7 PANEL RE-ASSEMBLY

1. Re-connect the glove box lamp connector to the lamp on the glove box inner cover. Re-install the glove box inner cover by engaging the six (6) pressure clips and secure with seven (7) Phillips screws.
2. Re-install the passenger's side ornament panel by engaging the four (4) pressure clips and one (1) finger clip.
3. Re-install the right side dashboard panel by engaging the four (4) pressure clips.
4. Re-install the glove box and strut.
5. At the end of the installation, insert the Quick Reference Cards into the Owner's Information Kit.

8 UNDER HOOD WARNING LABEL MOUNTING

1. Using alcohol, clean the top of the air intake plenum, near the radiator core support.
2. Remove the release liner from the under hood warning label and secure to the top of the air intake plenum, as shown. (FIGURE M)

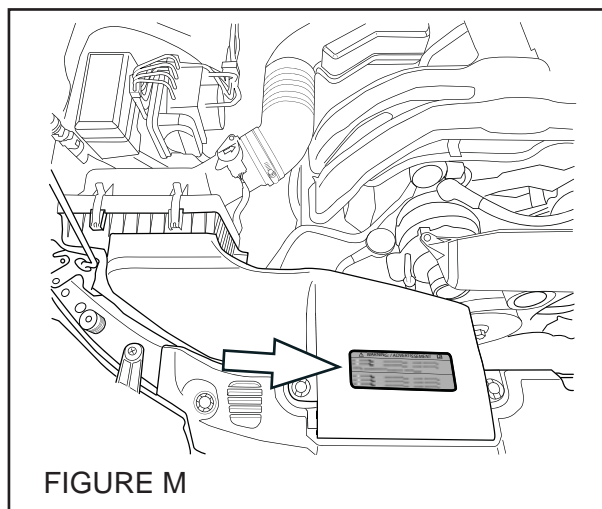


FIGURE M

9

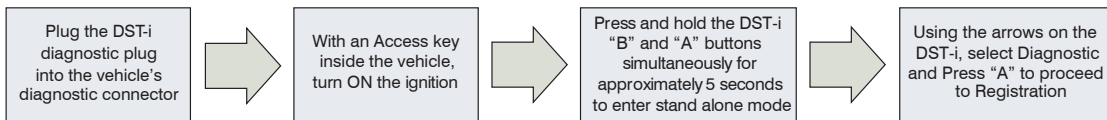
SYSTEM POWER-UP

1. After all the connections are complete, re-connect the vehicle's negative battery terminal. Using a 10mm socket/ torque wrench, tighten the 10mm nut to 7.5 Nm +/- 2 Nm (0.76 Kgf-m +/- 0.2 Kgf-m, 5.5 ft-lbs +/- 1.5 ft-lbs).
2. Start the vehicle at least one (1) time using the Access key prior to activating the remote engine start system. This is required to allow the vehicle's electronic systems to re-synchronize.
3. With the vehicle running via the Access key, verify that the instrument cluster airbag light turns off. If the airbag light remains on, refer to the vehicle service information for troubleshooting.
4. Refer to the vehicle Owner's manual for the Power Window Reset Procedure to restore the power window functions.

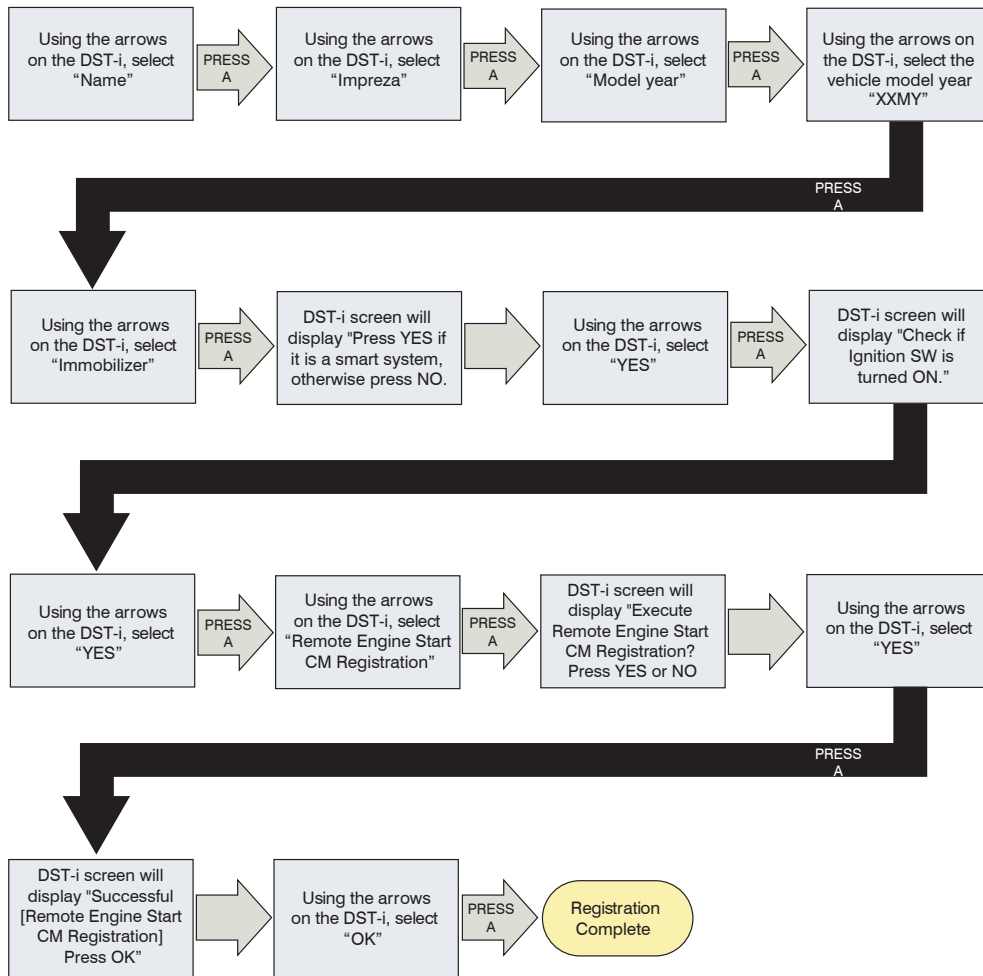
10

SYSTEM REGISTRATION

DST-i SETUP



REGISTRATION



POST INSTALLATION CHECKLIST

- 1. REMOTE ENGINE START - Ensure the Access key (FACTORY transmitter) is removed from the vehicle, the engine hood, all doors and trunk or hatch are closed. Press the LOCK button on the Access key one (1) time to lock the vehicle doors. Press the START button on the remote start transmitter two (2) times within three (3) seconds. The vehicle's parking lights should flash and the vehicle's horn should honk one (1) time and then the vehicle should crank and start. Once started, the transmitter LED will flash two (2) times and the parking lights will turn on and stay on signifying the vehicle is running. The transmitter LED will flash one (1) time every three (3) seconds signifying the vehicle is still running.
- 2. CUSTOMER TAKE OVER - While the vehicle is running by the remote engine start, wait at least five (5) seconds and then confirm that all functions (lock, unlock & trunk or hatch, but not panic) operate properly on the Access key. Once the Access key functionality is confirmed, press the UNLOCK button on the Access key, open the driver's door and enter the vehicle with the Access key. Press and hold the brake pedal, press the ENGINE START/STOP button on the dashboard one (1) time and move the shift position lever from the "P" position to the "D" position and back to the "P" position. The remote engine start should shut down and the transmitter LED should flash three (3) times indicating the system has shut down, but the engine should remain running. Press the ENGINE START/STOP button on the dashboard one (1) time to turn off the vehicle.
- 3. ACTIVATION WITH DOOR UNLOCKED - Ensure the Access key is removed from the vehicle, the engine hood, all doors and trunk or hatch are closed and the driver's door is unlocked. Press the START button on the remote start transmitter two (2) times within three (3) seconds. The vehicle's parking lights should flash and the vehicle's horn should honk six (6) times. The vehicle should not start with the driver's door unlocked.
- 4. ACTIVATION WITH DOOR OPEN - Ensure the Access key is removed from the vehicle, the engine hood, all doors and trunk or hatch are closed. Open the driver's door and press the START button on the remote start transmitter two (2) times within three (3) seconds. The vehicle's parking lights should flash and the vehicle's horn should honk six (6) times. The vehicle should not start with any door, trunk or hatch opened.
- 5. HOOD SAFETY SWITCH - Open the engine hood and activate the remote engine start. The vehicle's parking lights should flash and the vehicle's horn should honk two (2) times. The vehicle should not start since the hood safety switch is activated.
- 6. HEATER / AC FUNCTION - With the Access key inside the vehicle, press the ENGINE START/STOP button on the dashboard two (2) times to turn ON the ignition. Preset the vehicle's heater or air conditioning to the ON position. Press the ENGINE START/STOP button on the dashboard one (1) time to turn OFF the ignition and remove the Access key from the vehicle. Activate the remote engine start and verify that the heater or air conditioning turns on to the preset setting for manual climate controlled vehicles or turns to the "Full Auto" setting for electronic climate control vehicles.
- 7. 15 MINUTE RUN TIME - Activate the remote engine start and allow the system to run for the 15 minute preset run time. The remote engine start should shut down after 15 minutes (+/- 10 seconds).
- 8. TRANSMITTER FUNCTIONALITY VERIFICATION - Activate the remote engine start using both of the supplied single button remote start transmitters.

FUNCTIONAL TESTING IS NOW COMPLETE.

PART NUMBER H001SFL300	ISSUE 00	DATE 22 Jun 2018	SUBARU OF AMERICA	7 OF 7
---------------------------	-------------	---------------------	-------------------	--------