

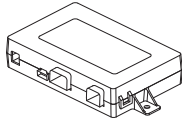


GENUINE PARTS INSTALLATION INSTRUCTIONS

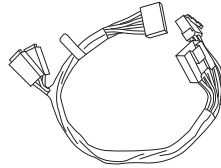
PART NUMBER: H001SFL101

DESCRIPTION: LONG RANGE TURN START
REMOTE ENGINE START SYSTEM
IMPREZA / CROSSTREK

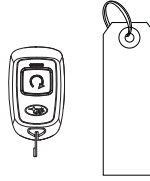
1 KIT CONTENTS



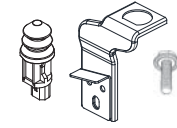
Remote Engine Start
Control Module (ECU)
Quantity=1



Remote Engine Start
Wire Harness
Quantity=1



Remote Engine Start
Transmitters w/ Warning Tags
Quantity=2



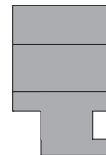
Hood Safety Switch,
Mounting Bracket &
10mm Mounting Bolt
Quantity=1



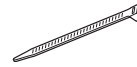
Under Hood
Warning Label
Quantity=1



Quick
Reference Card
Quantity=1 English,
1 French



ECU Foam Tape
Quantity=1

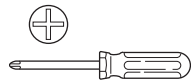


Tie Wraps
20cm Quantity=6
39cm Quantity=8



Foam Tape
Quantity=1

2 TOOLS REQUIRED



Phillips Screwdriver
Short and Standard



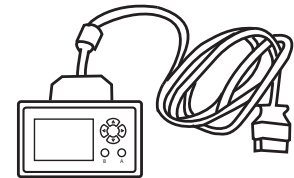
Torque Wrench



Panel Removal Tool



Wire Cutters



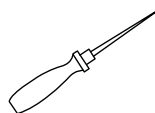
SSM IV (DST-i)
Diagnostic Interface



Ratchet, 10mm Socket &
Extension



Alcohol and Towel



Pick Tool

3 MEANING OF CHARACTERS



: Remove

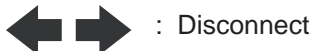
T : Tighten Torque



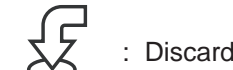
: Install



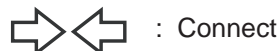
: Loosen



: Disconnect



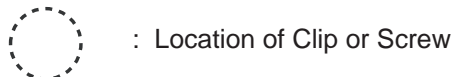
: Discard



: Connect



: Re-use



: Location of Clip or Screw



CAUTION: DO NOT SECURE ANY REMOTE START HARNESSSES TO ANY YELLOW HARNESSSES / CONNECTORS (AIRBAG SYSTEM) IN THE VEHICLE.

PART NUMBER
H001SFL101

ISSUE
00

DATE
9 Feb 2017

SUBARU OF AMERICA

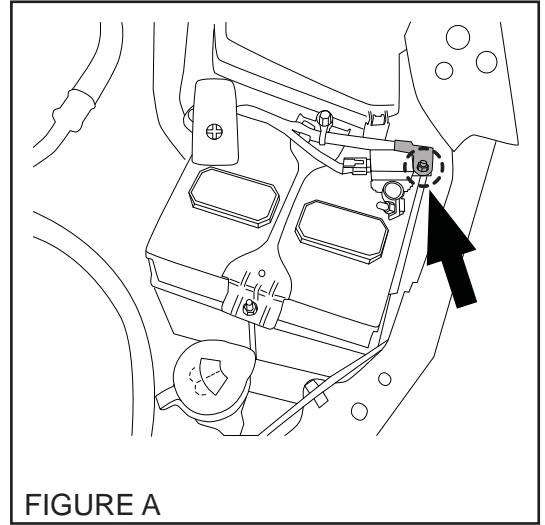
1 OF 14

4 VEHICLE PREPARATION

1. Using a 10mm socket/ratchet, disconnect the negative battery terminal. (FIGURE A)

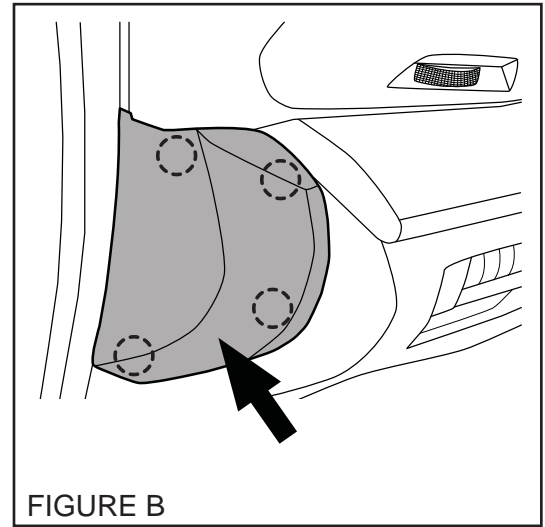
NOTE: Do not disconnect the battery cable from the battery post.

NOTE: DO NOT PROCEED TO THE NEXT STEP FOR ONE (1) MINUTE TO ALLOW TIME FOR THE AIRBAG POWER SUPPLY TO DISCHARGE.

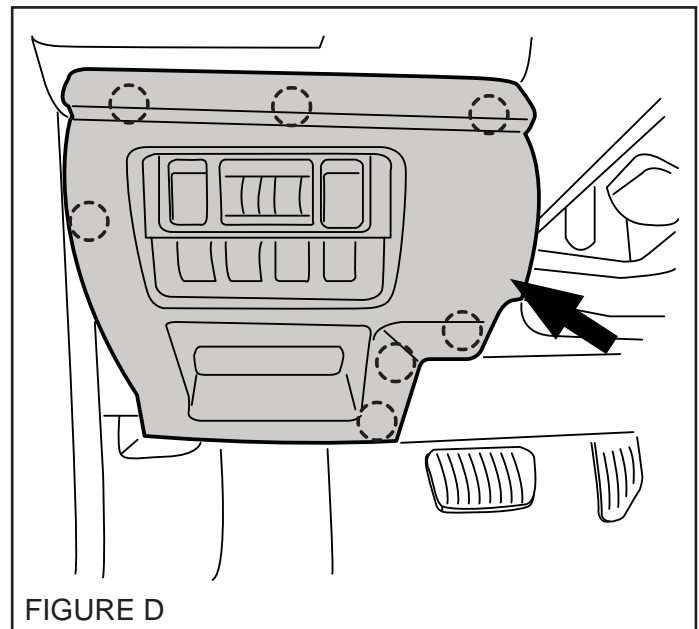
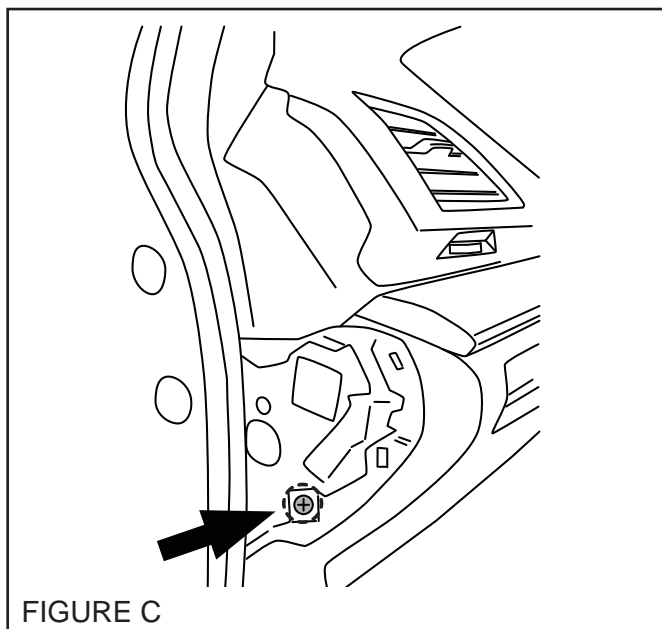


2. Using a panel removal tool, carefully remove the left side dashboard panel by starting at the bottom access notch and working upward to disengage four (4) pressure clips. (FIGURE B)

Using a Phillips screwdriver, remove one (1) Phillips screw securing the lower dashboard panel on the left side of the dashboard. (FIGURE C)



3. Using a panel removal tool, carefully remove the driver's left side lower dashboard panel by pulling straight out to disengage seven (7) pressure clips. Unplug all connectors attached to the dashboard panel. (FIGURE D)



4 VEHICLE PREPARATION, continued

- Using a Phillips screwdriver, remove one (1) Phillips screw on the lower corner of the driver's right side lower dashboard panel. Carefully remove the driver's right side lower dashboard panel by pulling straight out toward the rear of the vehicle to disengage six (6) pressure clips. (FIGURE E)

NOTE: Do not pull from the bottom of the panel, doing so may result in damage to the panel or the retaining clips.

- Remove the steering column shroud. Using a Phillips screwdriver, remove one (1) Phillips screw on the left side face and one (1) Phillips screw on the right side face of the steering column shroud. Carefully unsnap and remove the lower steering column shroud panel and then remove the upper steering column shroud panel. (FIGURE F)

NOTE: Insert the ignition key into the ignition switch and turn to the "ACC" position to unlock and rotate the steering wheel to access the Phillips screws on the face of the steering column.

- Using a 10mm socket/ratchet/extension, remove the two (2) 10mm nuts securing the driver's side lower airbag/knee bolster. (FIGURE G)

Remove the lower airbag/knee bolster. Using a pick tool, disengage the yellow connector lock by lifting upward. (FIGURE H)

Using a panel removal tool, carefully lift upward to unplug the electrical connector and place the airbag/knee bolster panel in a safe area.

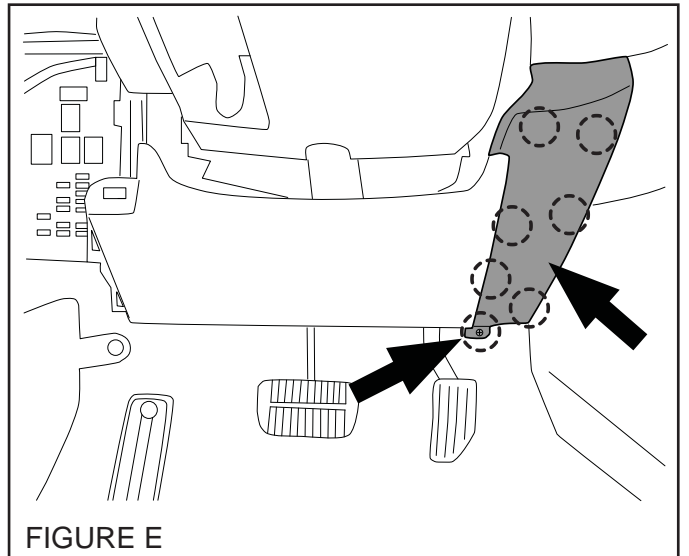


FIGURE E

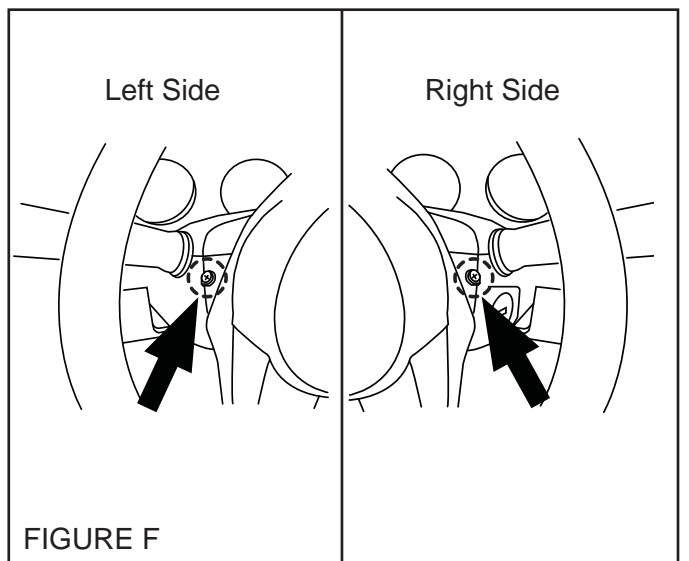


FIGURE F

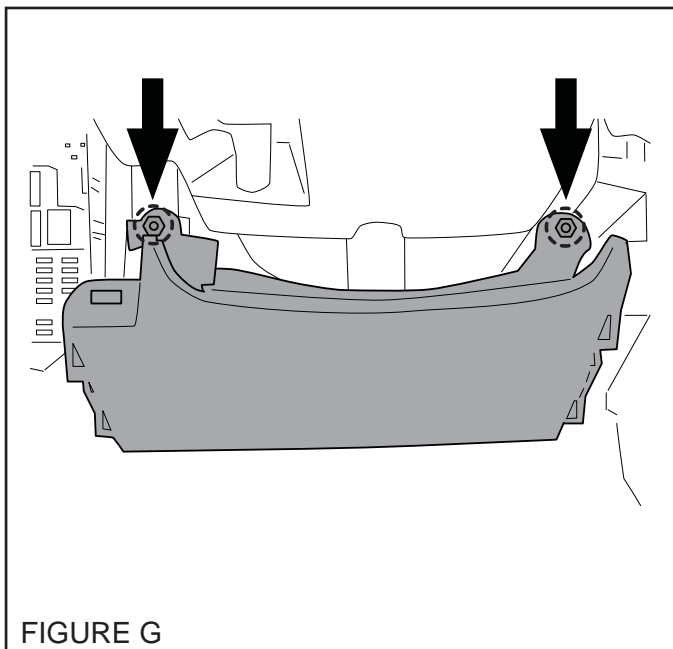


FIGURE G

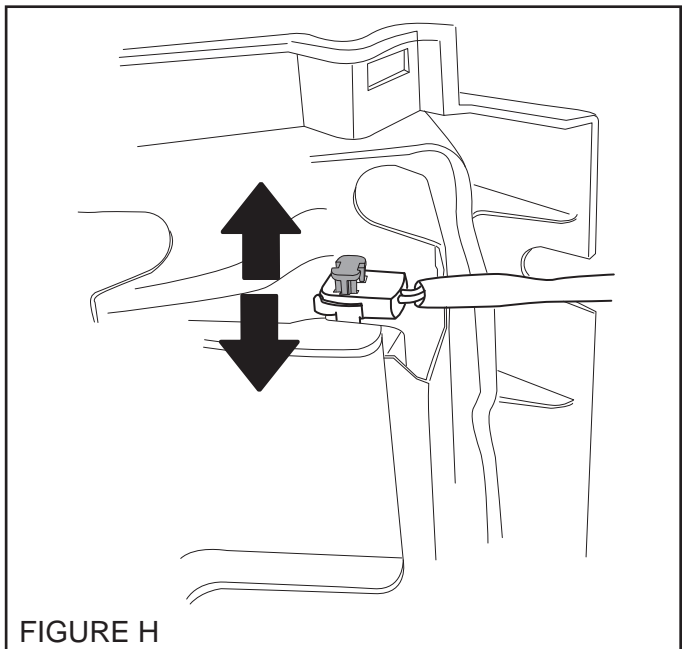
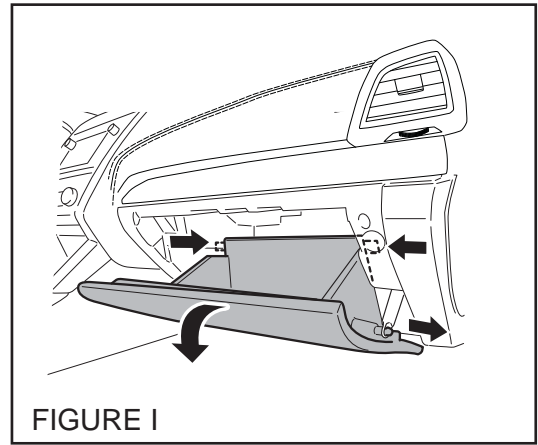


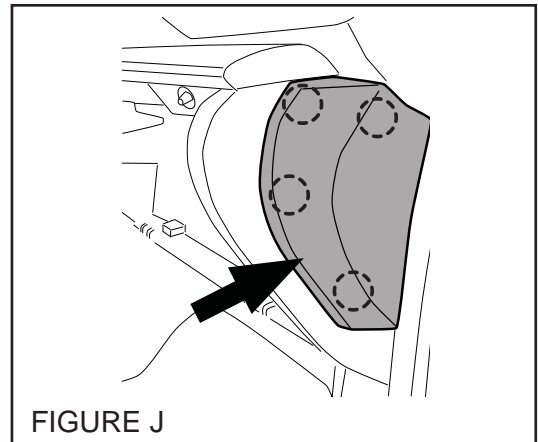
FIGURE H

4 VEHICLE PREPARATION, continued

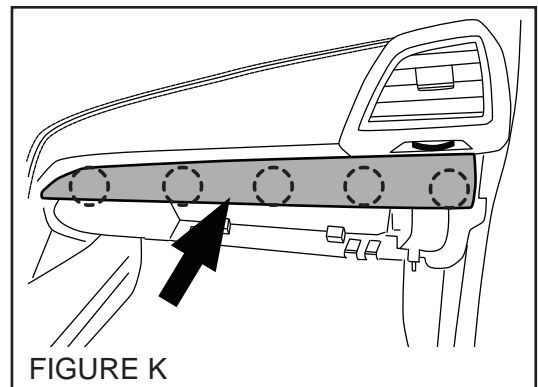
7. Open the glove box and press inward on the sides of the glove box to disengage the retaining tabs from the glove box inner cover. Disconnect the strut from the glove box. (FIGURE I)



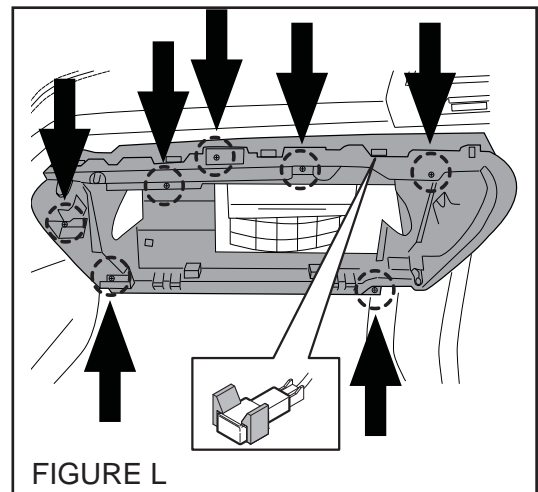
8. Using a panel removal tool, carefully remove the right side dashboard panel by starting at the bottom access notch and working upward to disengage four (4) pressure clips. (FIGURE J)



9. Using a panel removal tool, carefully lift upward to disengage four (4) pressure clips and one (1) finger clip and then pull rearward to remove the passenger's side ornament panel. (FIGURE K)



10. Using a Phillips screwdriver, remove seven (7) Phillips screws securing the glove box inner cover. Disengage the six (6) pressure clips and disconnect the glove box lamp connector to remove the glove box inner cover. (FIGURE L)



5 REMOTE ENGINE START ECU MOUNTING

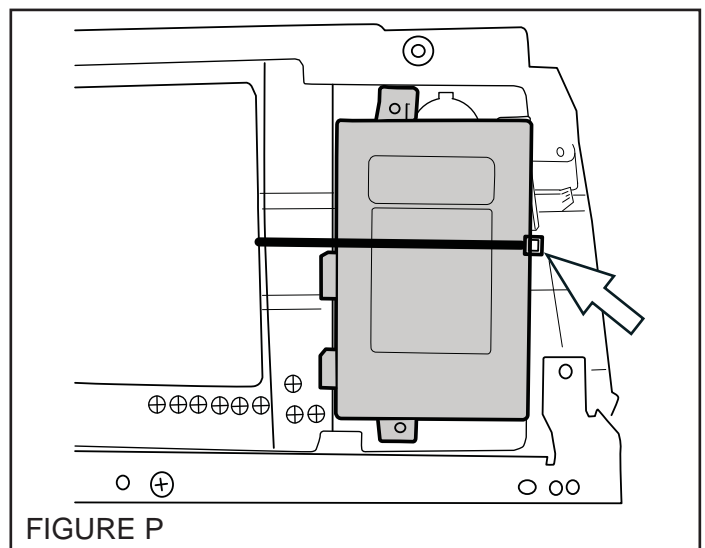
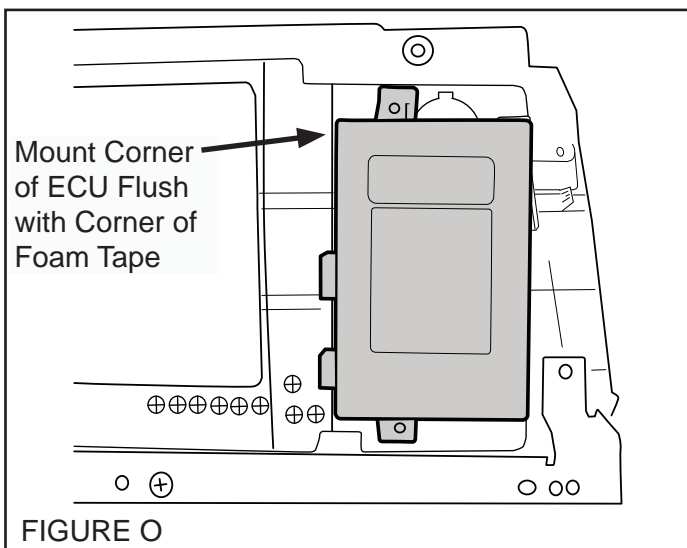
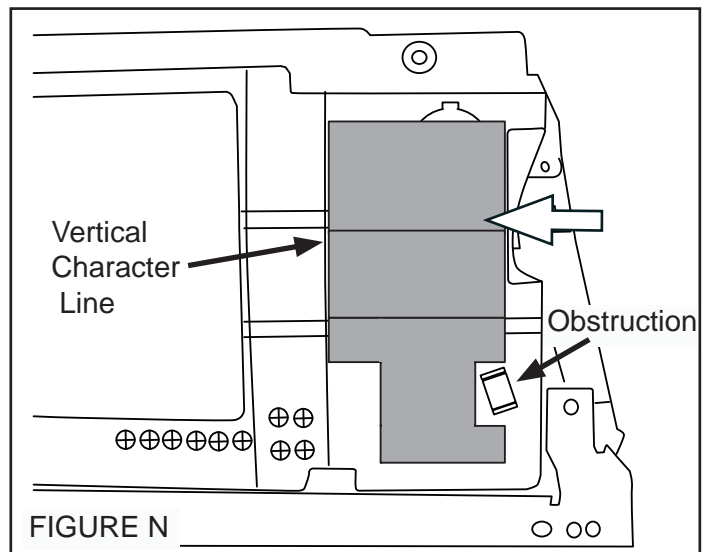
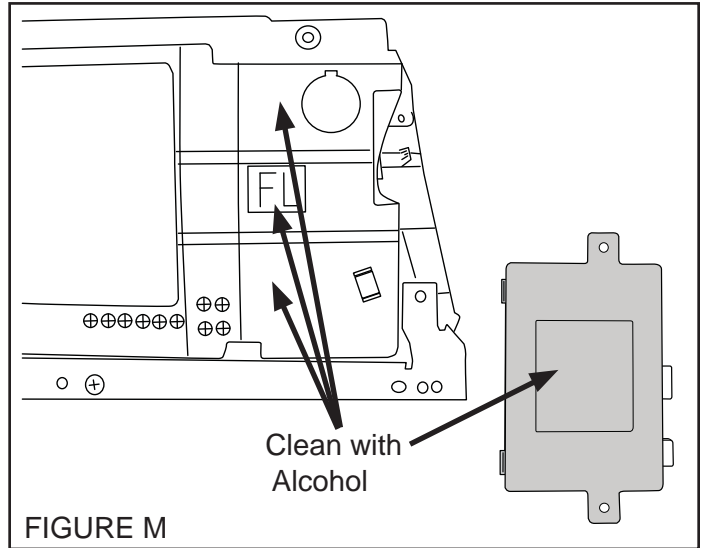
1. Locate the glove box inner cover and remote engine start ECU. Using alcohol, clean the back side of the glove box inner cover and ECU, as shown. (FIGURE M) Using the supplied double sided tape, remove the three (3) small release liners and attach the tape to the glove box inner cover. Ensure the tape is positioned against the vertical character line and flat against the multi-level inner cover. Press firmly in place for at least 30 seconds. (FIGURE N)

NOTE: Ensure the double sided tape is positioned away from any obstructions on the glove box inner cover.

2. Remove the one (1) large release liner from the double sided tape and attach the remote engine start ECU. Ensure the corner of the ECU, closest to the small gray connector, is flush with the upper left corner of the tape, as shown. Press firmly in place for at least 30 seconds. (FIGURE O)

NOTE: Ensure the ECU connectors will be facing toward the passenger's side of the vehicle when the inner cover is replaced.

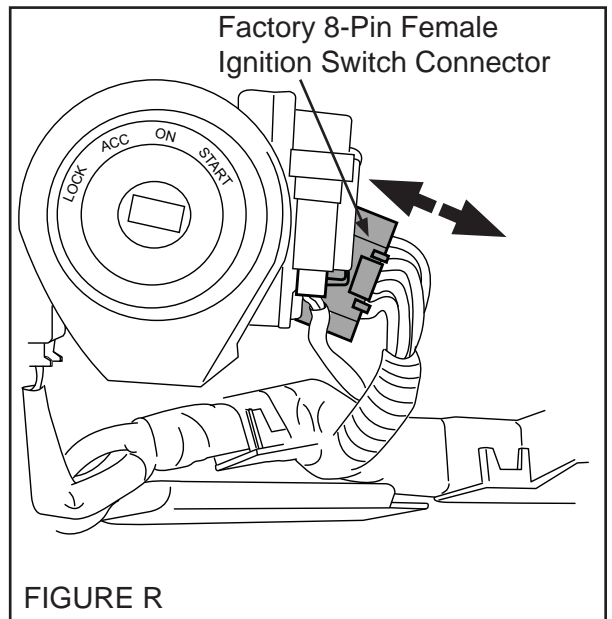
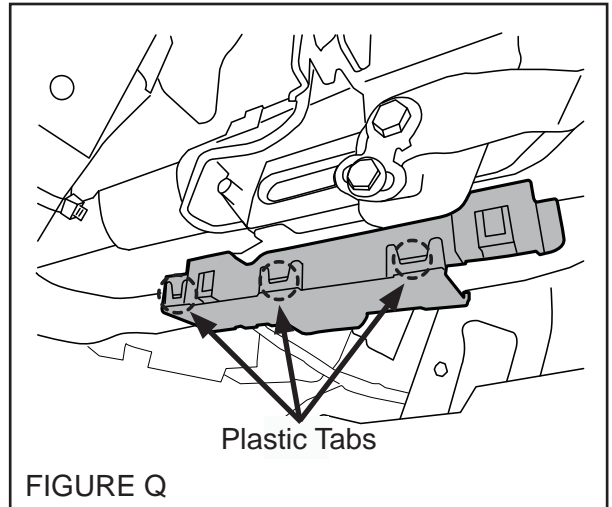
3. Using one (1) of the supplied 39cm tie wraps, secure the remote engine start ECU to the glove box inner cover. Trim off the excess tie wrap. (FIGURE P)



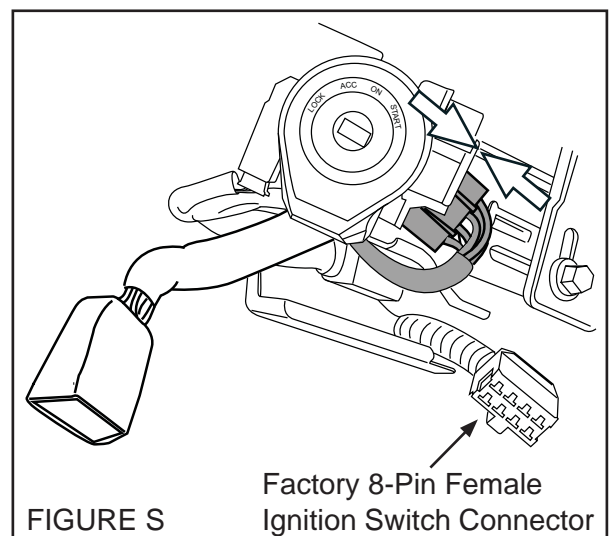
6 REMOTE ENGINE START WIRE HARNESS CONNECTIONS

8-PIN IGNITION SWITCH CONNECTIONS

1. Adjust the tilt/telescopic steering column all the way out and down.
2. Locate the plastic channel at the base of the steering column that protects the ignition wire harness. (FIGURE Q)
Using a panel removal tool, carefully release the three (3) plastic tabs on the left side to open the plastic channel and carefully swing it downward. (FIGURE Q)
3. Locate and unplug the 8-pin ignition switch connector on the right side of the steering column. Carefully pull the connector down and away from the steering column. (FIGURE R)



4. Plug the remote engine start wire harness 8-pin female connector into the vehicle's ignition switch. (FIGURE S)



6 REMOTE ENGINE START WIRE HARNESS CONNECTIONS, continued

8-PIN IGNITION SWITCH CONNECTIONS, continued

- Carefully fold back the remote engine start harness 8-pin foam wrapped male connector. Plug the factory 8-pin female ignition switch connector into the remote engine start wire harness 8-pin male connector. (FIGURE T)
- Route the remote engine start wire harness inside the plastic channel on the left side of the factory ignition wire harness. Engage the three (3) plastic tabs to close the plastic channel. (FIGURE U)
- Secure the remote engine start wire harness 8-pin foam wrapped male connector to the vehicle's wire harness using one (1) of the supplied 39cm tie wraps. Secure the remote engine start wire harness above the plastic channel using one (1) of the supplied 39cm tie wraps at the white tape ring. Trim off the excess tie wraps. (FIGURE V)
NOTE: Ensure the tie wrap clasps are rotated upward to avoid contact with the steering column shroud after re-assembly.
- Continue to route the remote engine start wire harness, with 4-pin and 2-pin pre-fit connectors, along the vehicle's wire harness toward the left side of the dashboard and secure with three (3) of the supplied 39cm tie wraps at the white tape rings. Trim off the excess tie wraps. (FIGURE W)

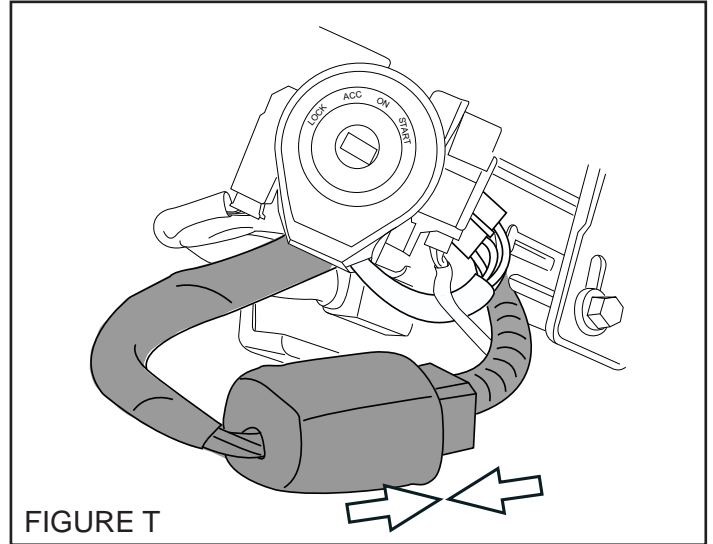


FIGURE T

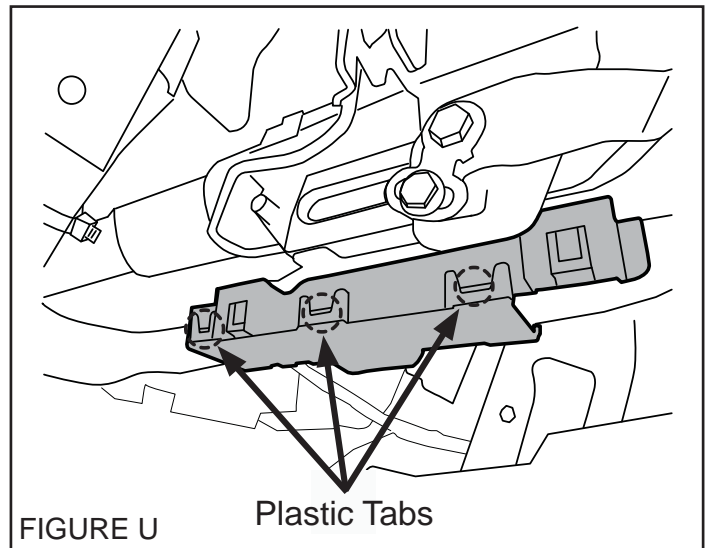


FIGURE U

Plastic Tabs

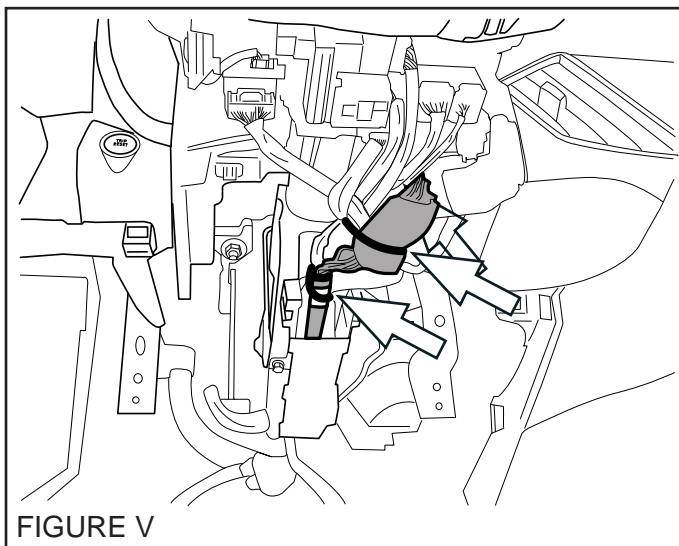


FIGURE V

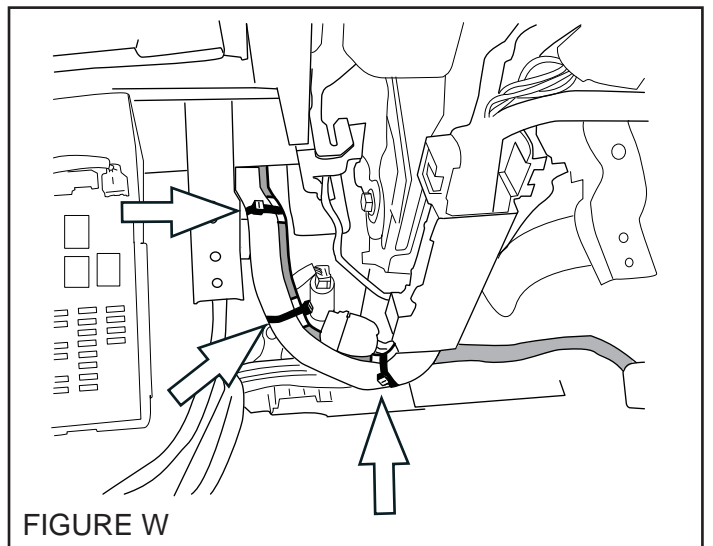


FIGURE W

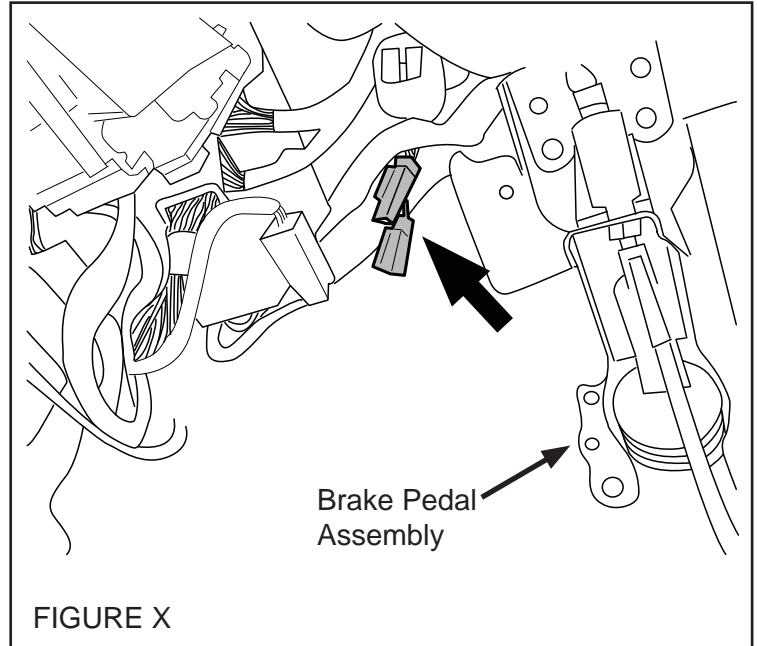
6

REMOTE ENGINE START WIRE HARNESS CONNECTIONS, continued

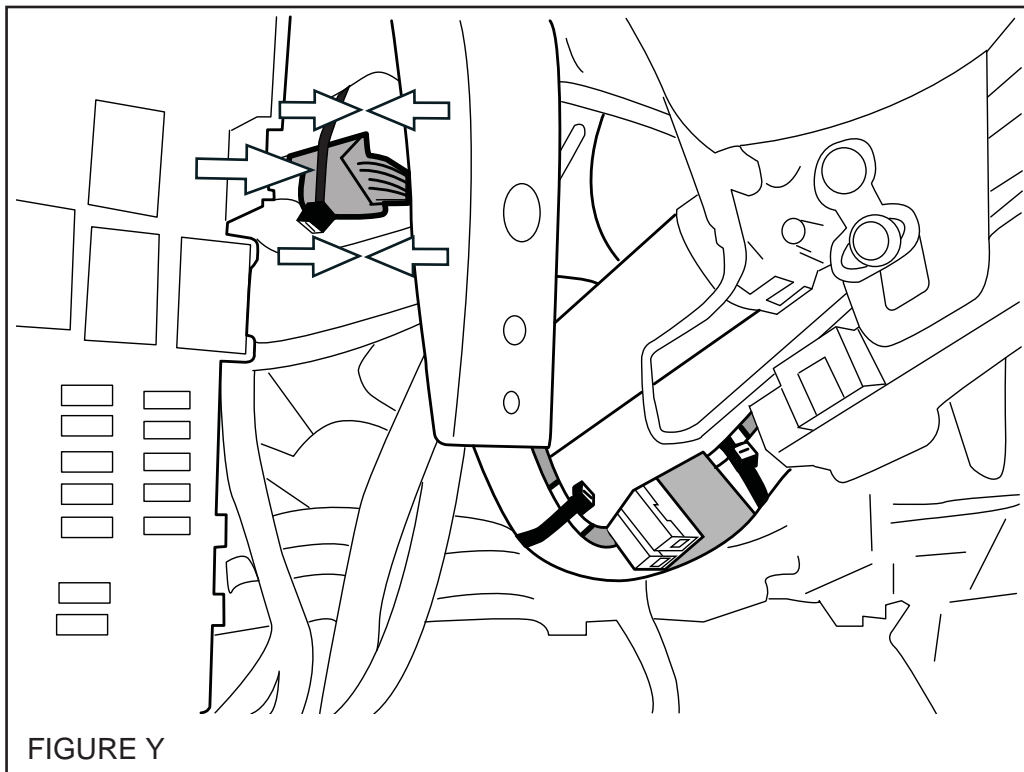
4-PIN & 2-PIN PRE-FIT CONNECTIONS

9. Locate and release the vehicle's 4-pin and 2-pin pre-fit connectors secured to the vehicle's wire harness with breakaway tape near the dash wall and to the left of the brake pedal assembly. (FIGURE X)

10. When the vehicle's 4-pin and 2-pin pre-fit connectors are free from the breakaway tape, unplug and discard the 2-pin mating connector/wire jumper. (This is used for the power window interrupt circuit).



11. Plug the remote engine start wire harness 4-pin and 2-pin connectors into the corresponding pre-fit connectors and secure to the vehicle's wire harness with one (1) of the supplied 39cm tie wraps. Trim off the excess tie wrap. (FIGURE Y)



6

REMOTE ENGINE START WIRE HARNESS CONNECTIONS, continued

REMOTE ENGINE START ECU CONNECTIONS

12. Route the remote engine start wire harness, with 12-pin and 8-pin ECU connectors, to the center console and secure with two (2) of the supplied 20cm tie wraps at the white tape rings. Trim off the excess tie wraps. (FIGURE Z)

NOTE: The lower tie wrap is routed through a slot in the vehicle's HVAC assembly.

13. Continue to route the remote engine start wire harness behind the center console and secure with one (1) of the supplied 20cm tie wraps at the white tape ring. Trim off the excess tie wrap. (FIGURE AA)

NOTE: The tie wrap is routed through a slot in the vehicle's HVAC assembly.

14. Route the remote engine start wire harness to the remote engine start ECU, previously mounted to the back side of the glove box inner cover (Step 5). Plug the remote engine start wire harness 12-pin and 8-pin connectors into the ECU. (FIGURE BB)

15. Secure the remote engine start wire harness to the bottom eyelet of the ECU with one (1) of the supplied 20cm tie wraps. Trim off the excess tie wrap. (FIGURE CC)

NOTE: Ensure the remote engine start wire harness is NOT too tight to avoid stress on the ECU connectors.

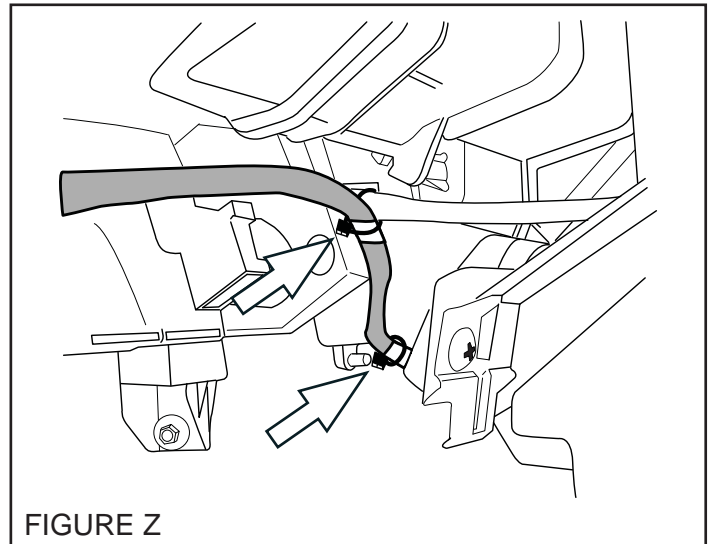


FIGURE Z

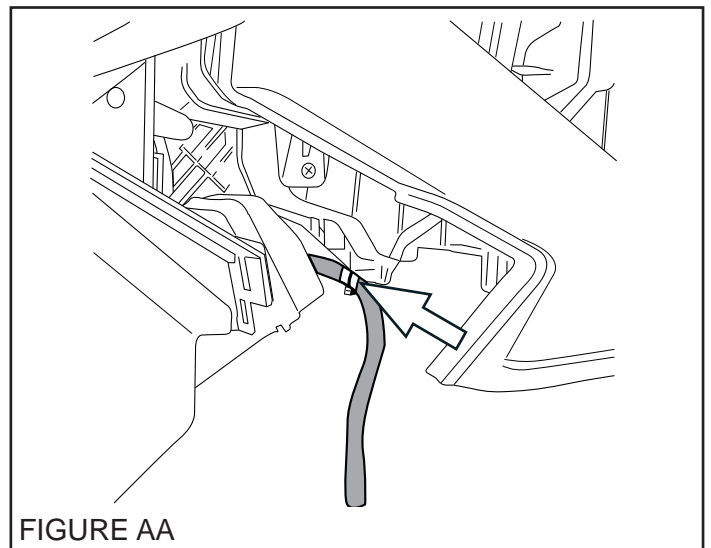


FIGURE AA

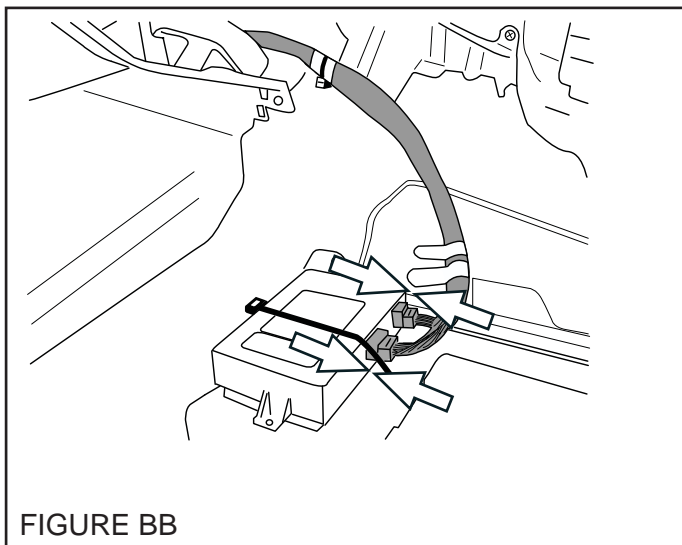


FIGURE BB

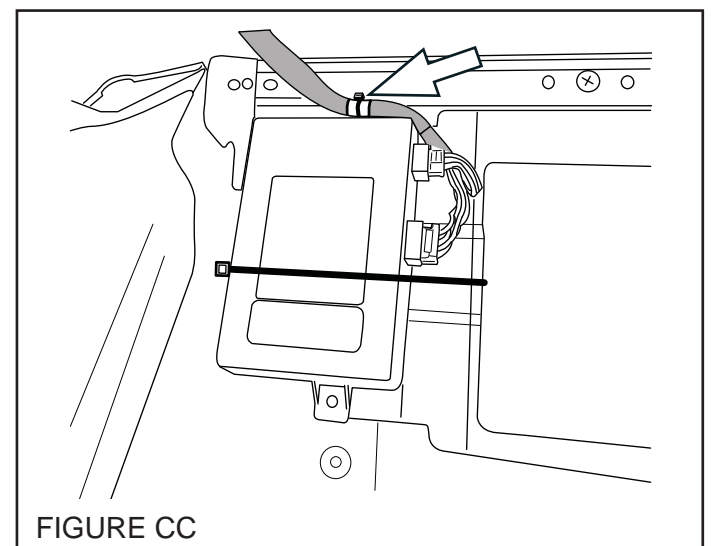


FIGURE CC

7 HOOD SAFETY SWITCH MOUNTING

1. In the engine compartment, locate and release the 2-pin pre-fit hood safety switch connector secured to the vehicle's wire harness with breakaway tape in front of the relay box on the passenger's side of the vehicle. (FIGURE DD)
2. When the 2-pin pre-fit hood safety switch connector is free from the breakaway tape, unplug and discard the 2-pin mating connector.
3. Locate the vehicle's relay box mounted on the passenger's side fender support. Using a panel removal tool, release the relay box retaining tabs and remove it from the bracket to provide access to the 10mm mounting bolt closest to the front of the vehicle. (FIGURE EE)
4. Remove the 10mm bolt securing the relay box bracket, closest to the front of the vehicle and discard. Using the supplied foam tape, wrap the bottom of the relay box bracket. (FIGURE FF)
- NOTE: The foam tape should be flush with the bottom edge of the relay box bracket.**
5. Using a 10mm socket/ratchet, mount the hood safety switch bracket behind the relay box bracket using the supplied 10mm bolt. (FIGURE GG)
6. Ensure that the supporting tongue on the hood safety switch bracket is seated flat against the top of the fender support while tightening the 10mm bolt. (FIGURE HH)
7. Using a 10mm socket/torque wrench, tighten the 10mm bolt to 10.8 Nm +/- 2 Nm (1.10 Kgf-m +/- 0.2 Kgf-m, 8 lbs +/- 1.5 ft-lbs).

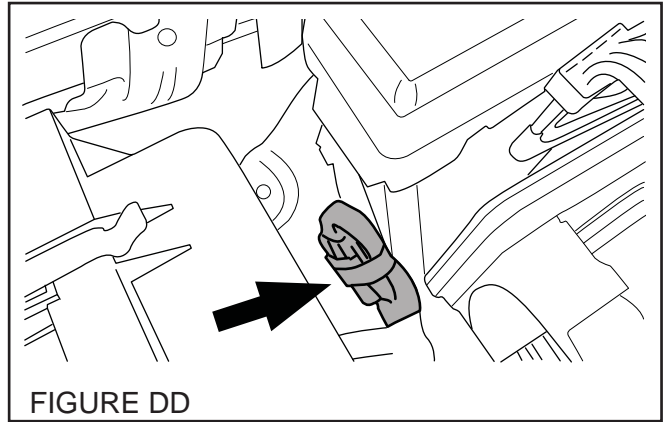


FIGURE DD

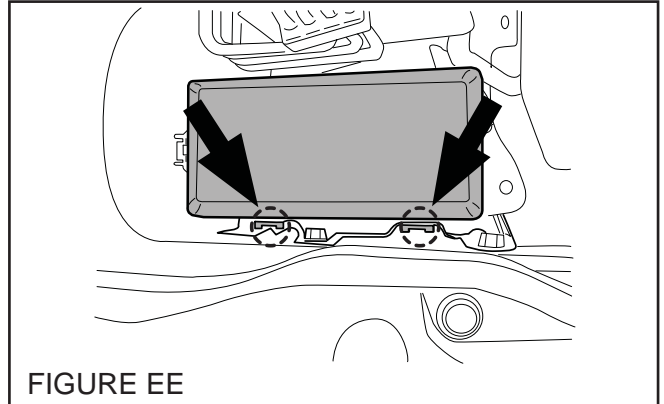


FIGURE EE

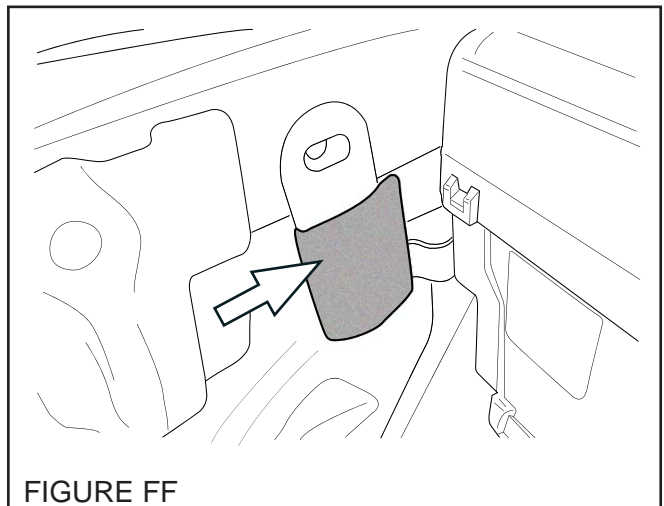


FIGURE FF

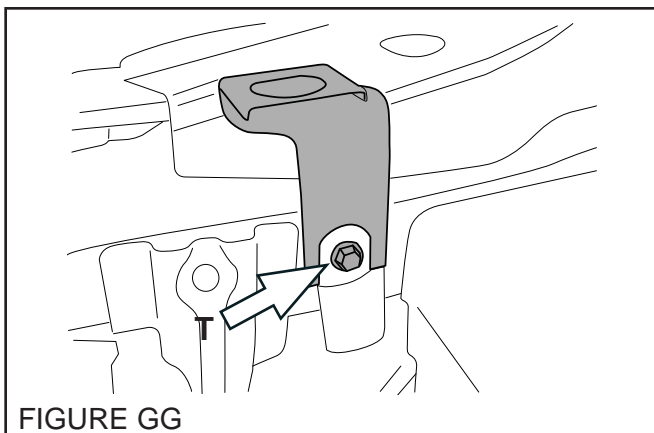


FIGURE GG

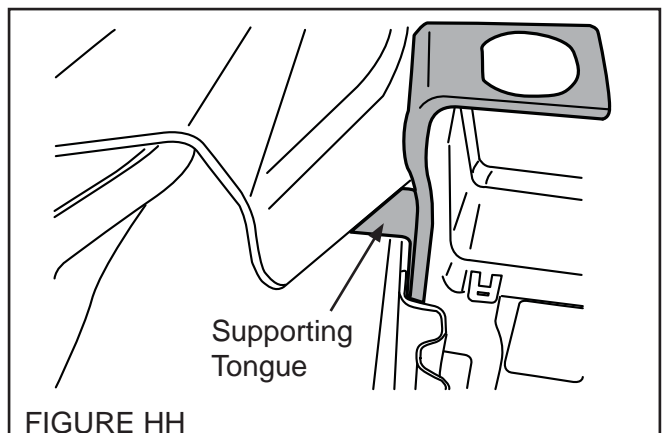
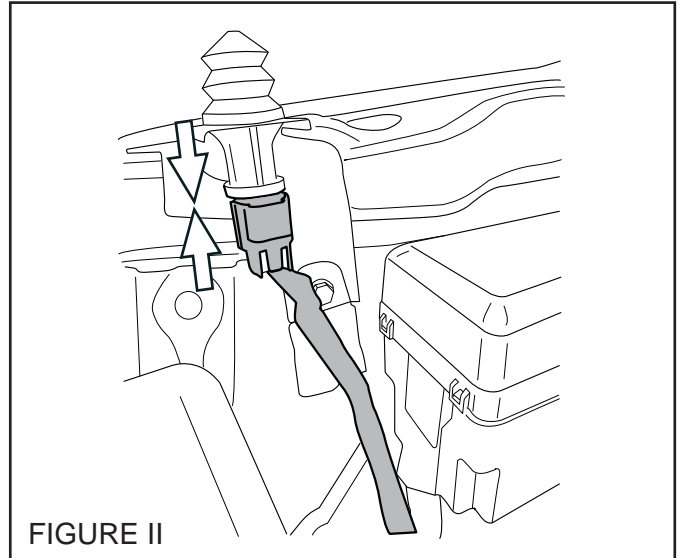


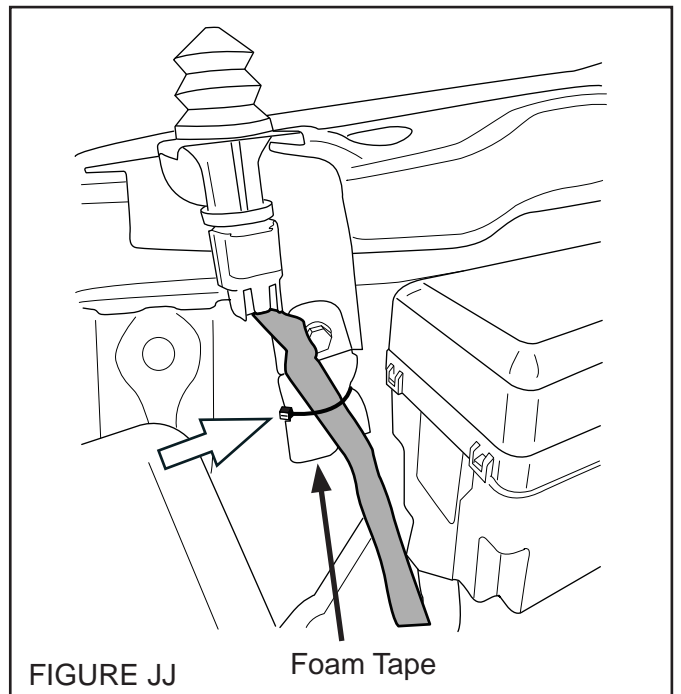
FIGURE HH

7 HOOD SAFETY SWITCH MOUNTING, continued

- Securely mount (snap-in) the supplied hood safety switch into the bracket and plug the vehicle's pre-fit 2-pin female hood switch connector into the base of the hood safety switch. (FIGURE II)



- Using one (1) of the supplied 20cm tie wraps, secure the hood safety switch wire harness to the vehicle's relay box bracket. Trim off the excess tie wrap. (FIGURE JJ)



8 UNDER HOOD WARNING LABEL MOUNTING

1. Using alcohol, clean the top of the air intake plenum, near the radiator core support.
2. Remove the release liner from the under hood warning label and secure to the top of the air intake plenum, as shown. (FIGURE KK)

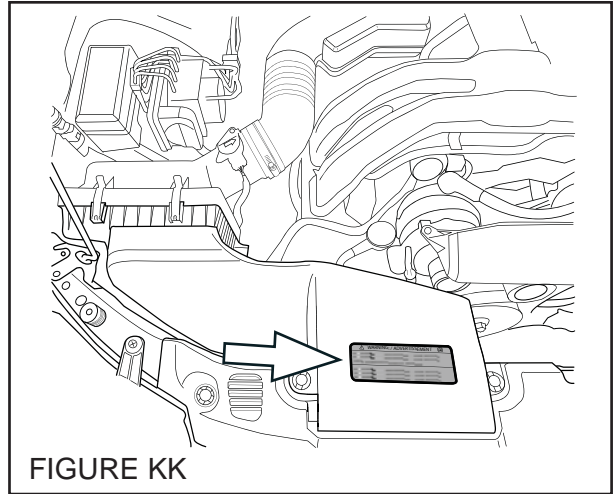


FIGURE KK

9 PANEL RE-ASSEMBLY

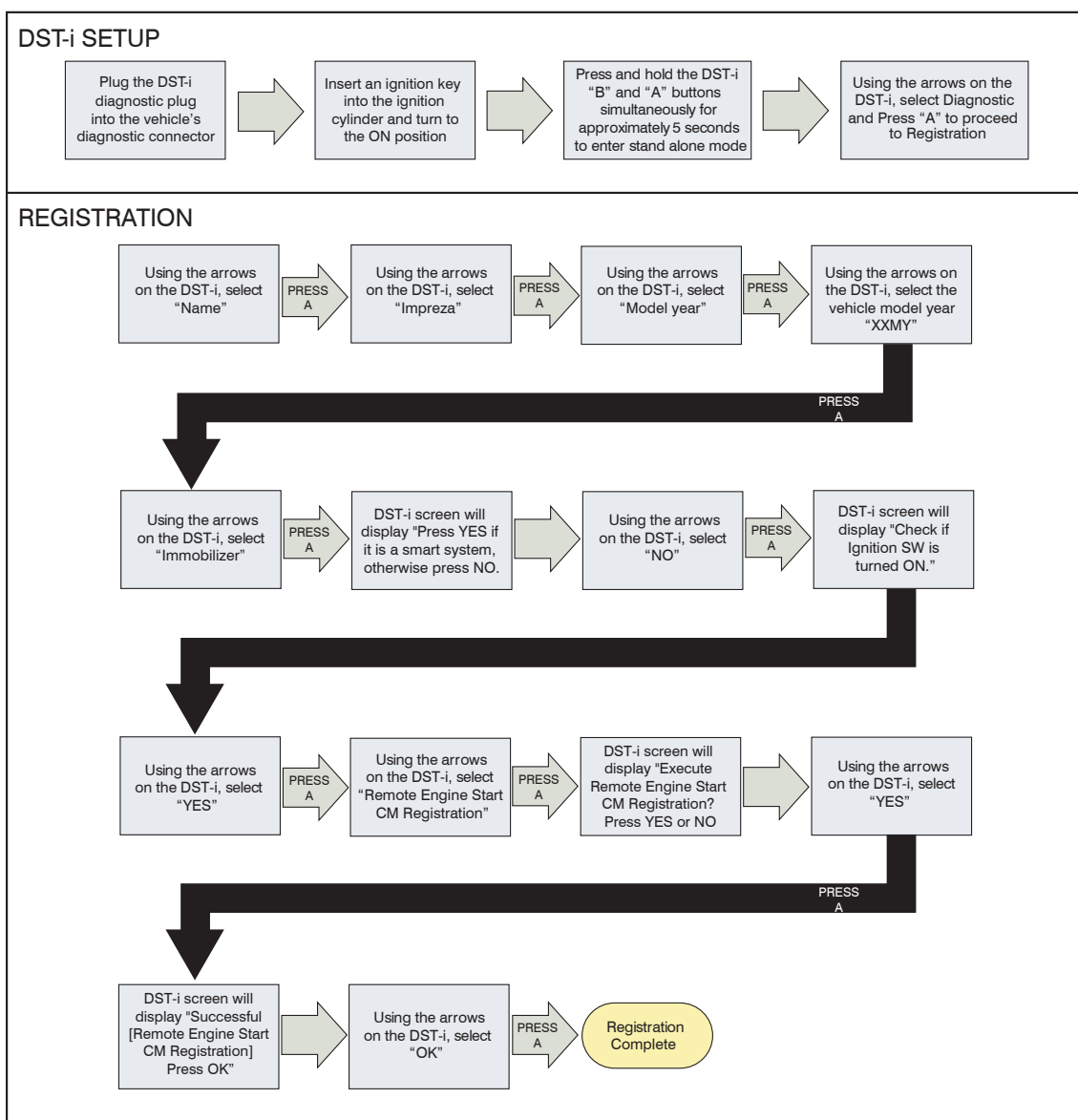
1. Plug the yellow electrical connector into the airbag/knee bolster. Verify that the yellow connector is fully seated. Failure to seat the connector lock could result in the instrument cluster airbag light remaining illuminated. Reinstall the airbag/knee bolster and torque the two (2) 10mm nuts to 7.5 Nm +/- 2 Nm (0.76 Kgf-m +/- 0.2 Kgf-m, 5.5 ft-lbs +/- 1.5 ft-lbs).
2. Re-install the steering column shroud and secure in place with two (2) Phillips screws.
3. Re-install the driver's right side lower dashboard panel and secure with one (1) Phillips screw.
4. Plug in any previously removed connectors and re-install the driver's left side lower dashboard panel.
5. Re-install the one (1) Phillips screw on the left side of the dashboard that secures the lower dashboard panel in place.
6. Re-install the left side dashboard panel.
7. Re-connect the glove box lamp connector to the lamp on the glove box inner cover. Re-install the glove box inner cover by engaging the six (6) pressure clips and secure with seven (7) Phillips screws.
8. Re-install the passenger's side ornament panel by engaging the four (4) pressure clips and one (1) finger clip.
9. Re-install the right side dashboard panel by engaging the four (4) pressure clips.
10. Re-install the glove box and strut.
11. At the end of the installation, insert the Quick Reference Cards into the Owner's Information Kit.

10 SYSTEM POWER-UP

1. After all the connections are complete, re-connect the vehicle's negative battery terminal. Using a 10mm socket/torque wrench, tighten the 10mm nut to 7.5 Nm +/- 2 Nm (0.76 Kgf-m +/- 0.2 Kgf-m, 5.5 ft-lbs +/- 1.5 ft-lbs).
2. Start the vehicle at least one (1) time using the ignition key prior to activating the remote engine start system. This is required to allow the vehicle's electronic systems to re-synchronize.
3. With the vehicle running via the ignition key, verify that the instrument cluster airbag light turns off. If the airbag light remains on, refer to the vehicle service information for troubleshooting.
4. With the vehicle running via the ignition key, apply the brake pedal and shift the transmission out of park. Turn off the engine and confirm the ignition key cannot be removed from the ignition switch. If it can, confirm the key lock solenoid connector is connected and the delivery (test) mode fuse is removed, then re-check.
5. Refer to the vehicle Owner's manual for the Power Window Reset Procedure to restore the power window functions.

11 SYSTEM REGISTRATION

NOTE: Once the Ignition is turned ON, the system will exit System Registration after 2 minutes.



POST INSTALLATION CHECKLIST

- 1. REMOTE ENGINE START- Make sure the key is removed from the ignition switch, the engine hood, all doors and trunk are closed. Press the START button on the remote start transmitter two (2) times within 3 seconds. The vehicle's parking lights should flash and the vehicle's horn should honk one (1) time and then the vehicle should crank and start. Once started, the transmitter LED will flash two (2) times and the parking lights will turn on and stay on signifying the vehicle is running. The transmitter LED will flash one (1) time every three (3) seconds signifying the vehicle is still running.
- 2. SHUT DOWN WITH DOOR OPENING - While the vehicle is running by the remote engine start, wait at least five (5) seconds and then confirm that all functions (lock, unlock & trunk, but not panic) operate properly on the FACTORY transmitter. Once the FACTORY transmitter functionality is confirmed, press the UNLOCK button on the FACTORY transmitter and open any vehicle door. The remote engine start should shut down and the transmitter LED should flash three (3) times indicating the system has shut down.
- 3. ACTIVATION WITH DOOR OPEN - Ensure the key is removed from the ignition switch and the engine hood and trunk are closed. Open the driver's door, press the START button on the remote start transmitter two (2) times within three (3) seconds. The vehicle's parking lights should flash and the vehicle's horn should honk six (6) times. The vehicle should not start with any door or trunk opened.
- 4. BRAKE PEDAL SAFETY - While sitting in the vehicle with the engine hood, all doors and trunk closed, activate the remote engine start and press the brake pedal. The vehicle should shut off.
- 5. KEY-IN-SENSE - While sitting in the vehicle with the engine hood, all doors and trunk closed, insert the ignition key into the ignition switch, but keep it in the OFF position. Activate the remote engine start. The vehicle's parking lights should flash and the vehicle's horn should honk (2) times. The vehicle should not start since the key is in the ignition switch.
- 6. HOOD SAFETY SWITCH - Open the engine hood and activate the remote engine start. The vehicle's parking lights should flash and the vehicle's horn should honk two (2) times. The vehicle should not start since the hood safety switch is activated.
- 7. HEATER / A/C FUNCTION - Using the ignition key, turn the ignition to the ON position. Preset the vehicle's heater or air conditioning to the ON position. Turn the ignition OFF and remove the ignition key. Activate the remote engine start and verify that the heater or air conditioning turns on to the preset setting for manual climate controlled vehicles or turns to the "Full Auto" setting for electronic climate control vehicles.
- 8. 15 MINUTE RUN TIME - Activate the remote engine start and allow the system to run for the 15 minute preset run time. The remote engine start should shut down after 15 minutes (+/- 10 seconds).
- 9. TRANSMITTER FUNCTIONALITY VERIFICATION - Activate the remote engine start using both of the supplied single button remote start transmitters.

FUNCTIONAL TESTING IS NOW COMPLETE.

PART NUMBER H001SFL101	ISSUE 00	DATE 9 Feb 2017	SUBARU OF AMERICA	14 OF 14
---------------------------	-------------	--------------------	-------------------	----------

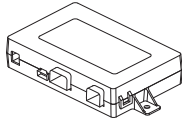


GENUINE PARTS
INSTRUCTIONS
D'INSTALLATION

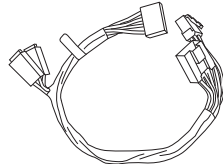
NUMÉRO DE PIÈCE : H001SFL101

DESCRIPTION : SYSTÈME DE DÉMARRAGE À LONGUE DISTANCE SUR IMPREZA/ CROSSTREK AVEC CLÉ DE CONTACT

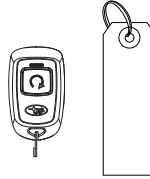
1 CONTENU DE LA TROUSSE



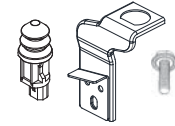
Module de démarrage à distance (UCE)
Quantité = 1



Faisceau de câblage du démarreur à distance
Quantité = 1



Télécommandes de démarrage à distance avec étiquettes de mise en garde
Quantité = 2



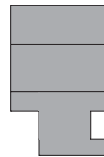
Contacteur de sécurité du capot, support et boulon de 10 mm
Quantité = 1



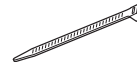
Étiquette de mise en garde du compartiment moteur
Quantité = 1



Carte de référence rapide
Quantité = 1 en anglais,
1 en français



Ruban mousse de l'UCE
Quantité = 1

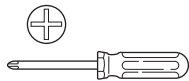


Attaches autobloquantes
20 cm Quantité = 6
39 cm Quantité = 8



Ruban mousse
Quantité = 1

2 OUTILS REQUIS



Tournevis cruciforme, court et standard



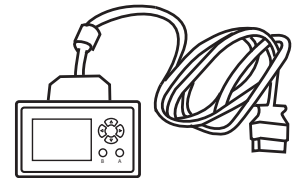
Clé dynamométrique



Outil de dépose de panneau



Coupe-fils



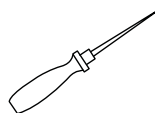
Interface diagnostic DST-i SSM IV



Clé à rochet, rallonge et douille de 10 mm



Alcool et chiffon



Poinçon

3 SIGNIFICATION DES SYMBOLES

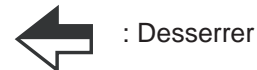


: Enlever

T : Couple de serrage



: Poser



: Desserrer



: Déconnecter



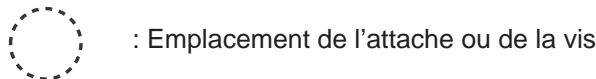
: Jeter



: Connecter



: Réutiliser



: Emplacement de l'attache ou de la vis

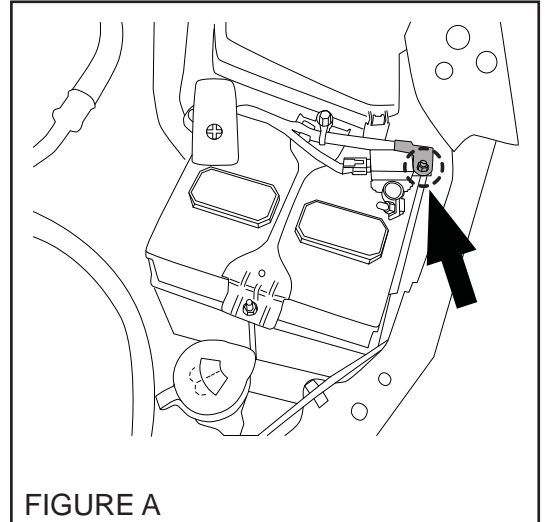
MISE EN GARDE : N'ATTACHEZ JAMAIS LE FAISCEAU DU DÉMARREUR À DISTANCE À DES FAISCEAUX OU DES CONNECTEURS JAUNES (SYSTÈME DE COUSSINS GONFLABLES) DANS LE VÉHICULE.

4 PRÉPARATION DU VÉHICULE

1. À l'aide d'une clé à rochet/douille de 10 mm, déconnectez la borne négative de la batterie. (FIGURE A)

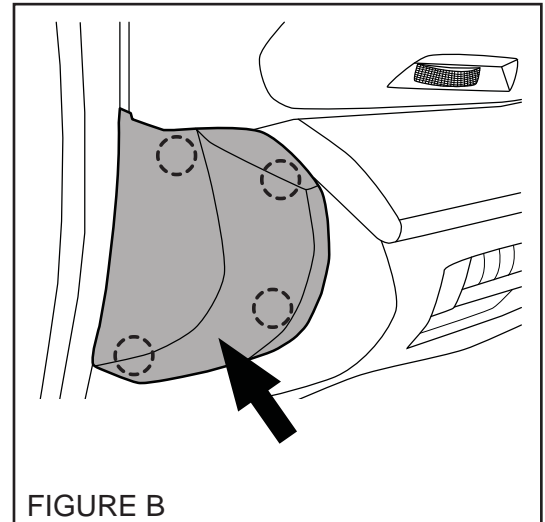
REMARQUE : Ne débranchez pas le câble de la borne de la batterie.

REMARQUE : ATTENDEZ UNE (1) MINUTE AVANT DE PASSER À LA PROCHAINE ÉTAPE POUR QUE LE BLOC D'ALIMENTATION DES COUSSINS GONFLABLES AIT LE TEMPS DE SE DÉCHARGER.

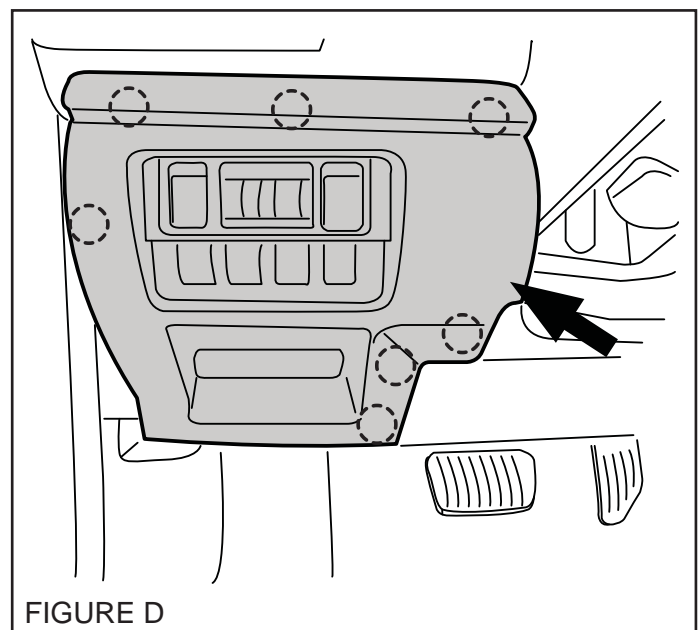
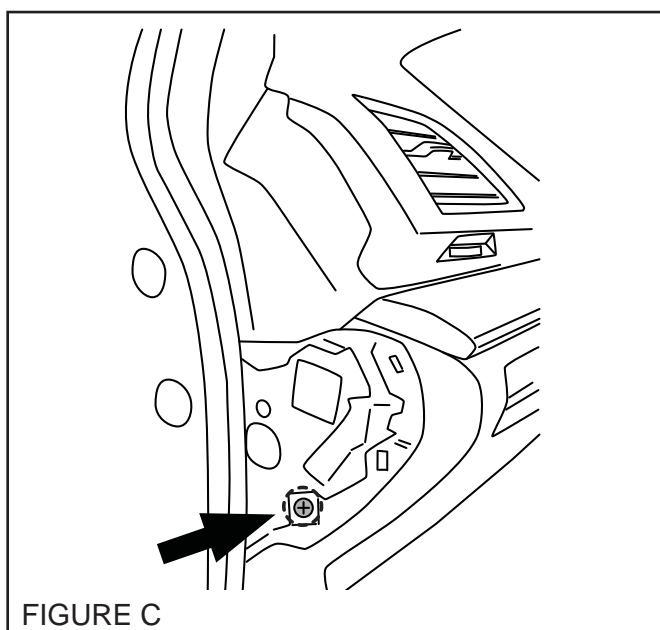


2. À l'aide de l'outil de dépose de panneau, enlevez délicatement le côté gauche du tableau de bord en partant de l'encoche d'accès du bas vers le haut pour libérer les quatre (4) attaches à pression. (FIGURE B)

À l'aide du tournevis cruciforme, retirez une (1) vis qui maintient le panneau inférieur au côté gauche du tableau de bord. (FIGURE C)



3. À l'aide de l'outil de dépose de panneau, enlevez délicatement le panneau inférieur gauche du tableau de bord en le tirant vers l'extérieur pour libérer les sept (7) attaches à pression. Débranchez tous les connecteurs fixés au tableau de bord. (FIGURE D)



4 PRÉPARATION DU VÉHICULE, suite

4. À l'aide du tournevis cruciforme, retirez une (1) vis du coin inférieur du panneau inférieur droit du tableau de bord côté conducteur. Enlevez délicatement le panneau inférieur droit du tableau de bord côté conducteur en le tirant vers l'extérieur pour libérer les six (6) attaches à pression. (FIGURE E)

REMARQUE : Ne tirez pas à partir du bas du panneau au risque de l'endommager, ainsi que ses chevilles de montage.

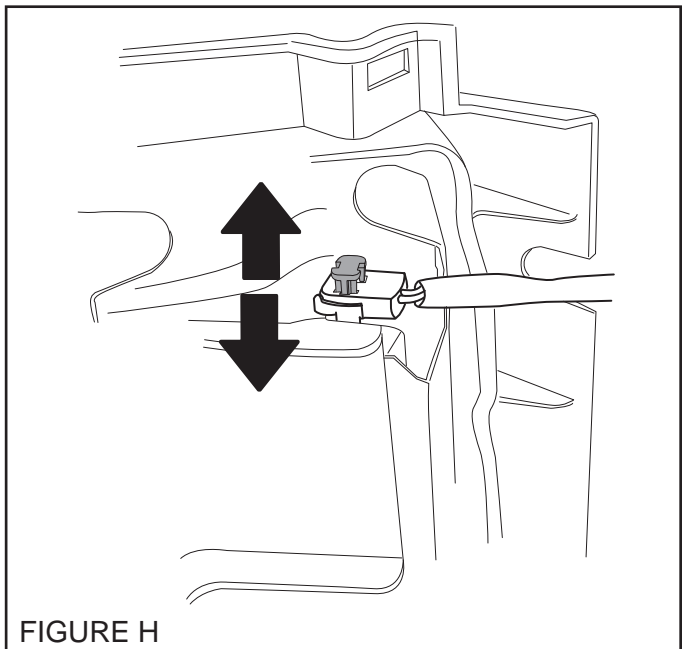
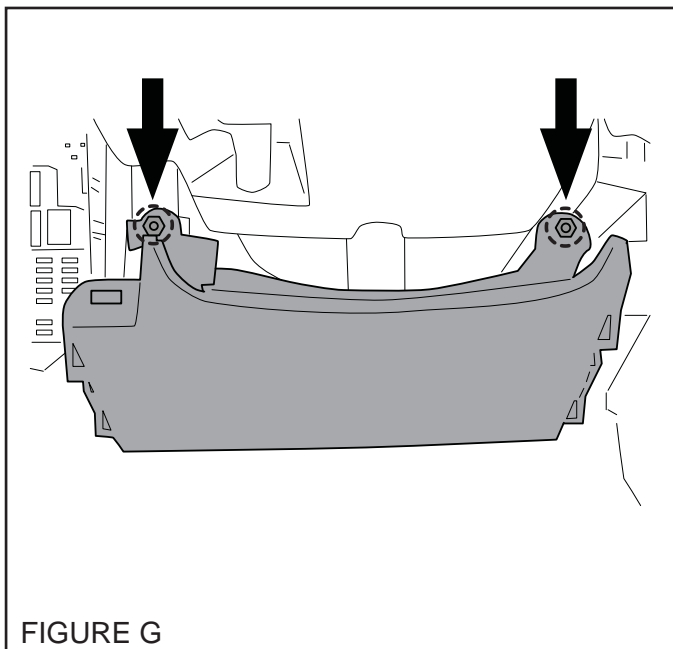
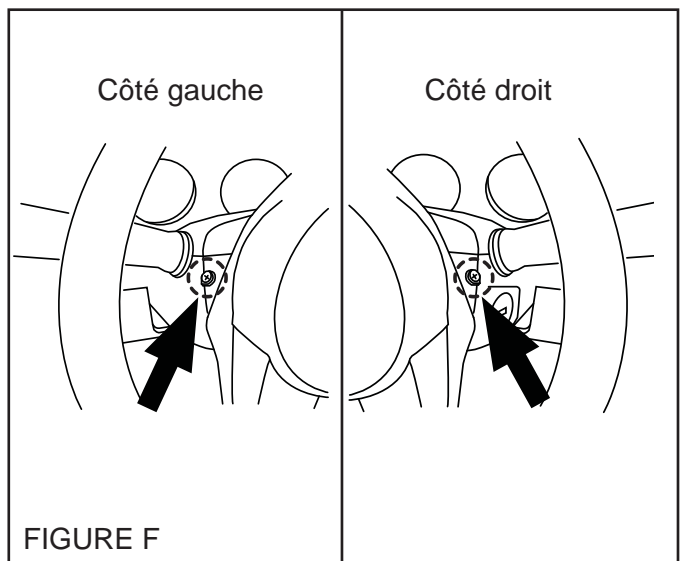
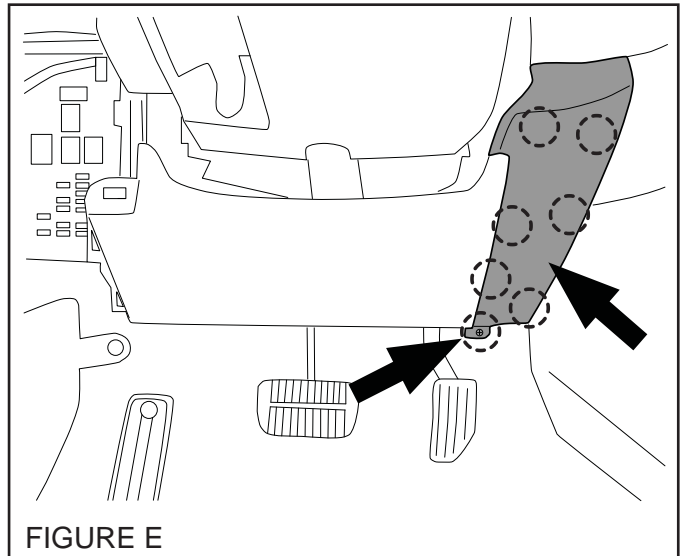
5. Déposez la coquille de la colonne de direction. À l'aide du tournevis cruciforme, retirez une (1) vis de la face gauche et une (1) vis de la face droite de la coquille de la colonne de direction. Décrochez délicatement la coquille inférieure de la colonne de direction et enlevez-la, puis enlevez la coquille supérieure. (FIGURE F)

REMARQUE : Insérez la clé dans le contact et tournez à la position ACC pour déverrouiller et faire pivoter le volant et accéder aux vis cruciformes de la colonne de direction.

6. À l'aide de la clé à rochet/douille/rallonge de 10 mm, retirez les deux (2) écrous de montage du protège-genou/coussin gonflable inférieur côté conducteur. (FIGURE G)

Retirez le protège-genou/coussin gonflable. À l'aide du poinçon, libérez le verrou du connecteur jaune en le soulevant. (FIGURE H)

À l'aide de l'outil de dépose de panneau, soulevez délicatement pour débrancher le connecteur électrique, puis rangez le protège-genou/coussin gonflable à un endroit sûr.



4 PRÉPARATION DU VÉHICULE, suite

7. Ouvrez la boîte à gants et appuyez sur les côtés de la boîte pour libérer les languettes de retenue du couvercle intérieur. Dégagez le support de la boîte à gants. (FIGURE I)

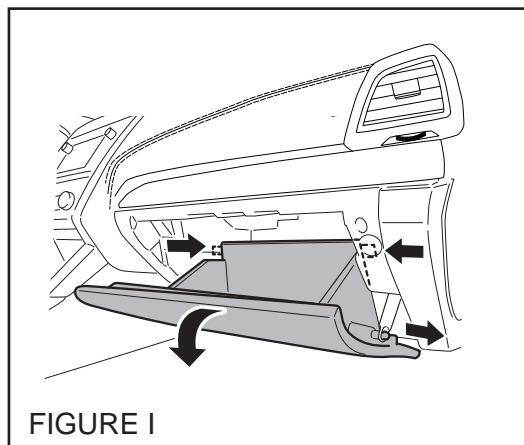


FIGURE I

8. À l'aide de l'outil de dépose de panneau, enlevez délicatement le côté droit du tableau de bord en partant de l'encoche d'accès du bas vers le haut pour libérer les quatre (4) attaches. (FIGURE J)

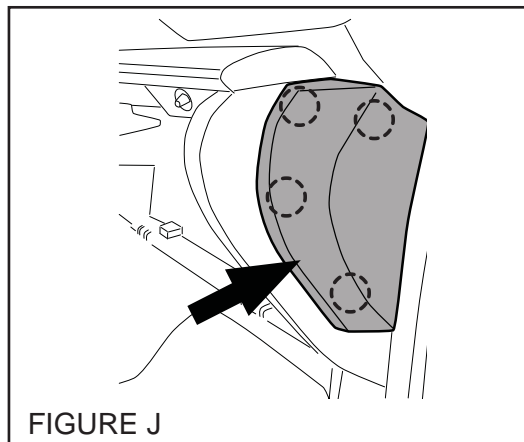


FIGURE J

9. À l'aide de l'outil de dépose de panneau, soulevez délicatement pour libérer quatre (4) attaches à pression et une (1) attache à griffe, puis tirez vers l'arrière pour retirer le panneau de garniture côté passager. (FIGURE K)

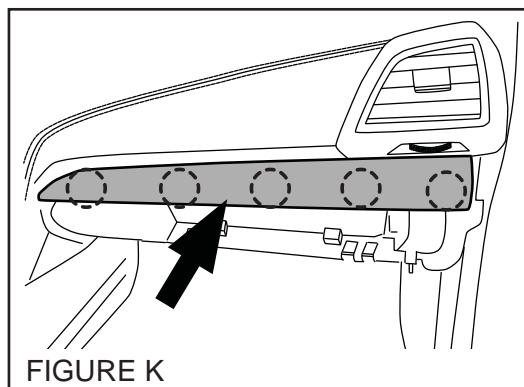


FIGURE K

10. À l'aide du tournevis cruciforme, retirez les sept (7) vis qui maintiennent la boîte à gants dans le couvercle intérieur. Libérez les six (6) attaches à pression et débranchez le connecteur de la lampe de la boîte à gants pour retirer le couvercle intérieur. (FIGURE L)

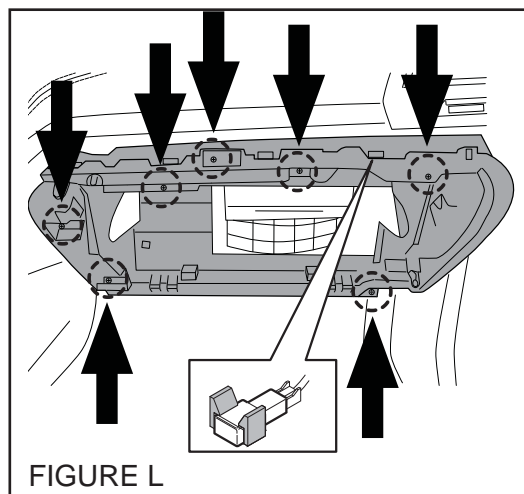
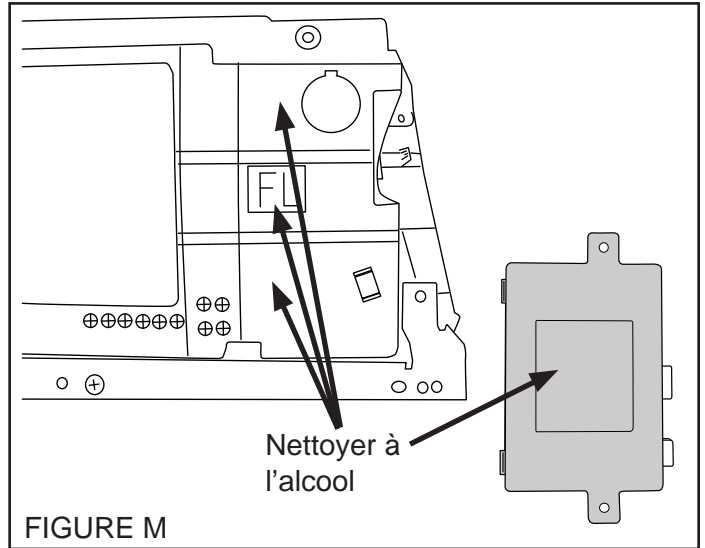


FIGURE L

5 INSTALLATION DE L'UCE DU DÉMARREUR À DISTANCE

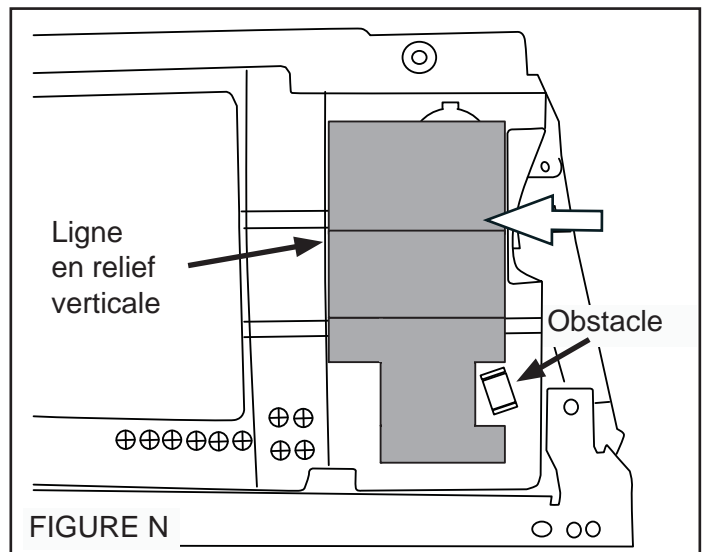
1. Repérez le couvercle intérieur de la boîte à gants et retirez l'UCE du démarreur à distance. Avec de l'alcool, nettoyez l'arrière du couvercle de la boîte à gants et l'UCE, comme illustré. (FIGURE M) Prenez le ruban adhésif double-face fourni, retirez les trois (3) petites pellicules de protection et fixez le ruban au couvercle de la boîte à gants. Assurez-vous de bien placer le ruban contre la ligne de relief verticale et à plat contre le couvercle intérieur multi-niveaux. Appuyez fermement pendant au moins 30 secondes. (FIGURE N)

REMARQUE : Assurez-vous de ne pas placer le ruban adhésif double-face sur les obstacles du couvercle de la boîte à gants.

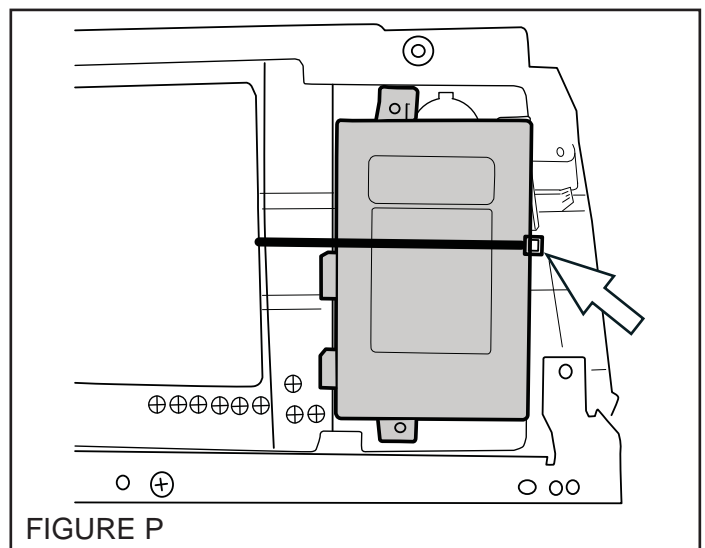
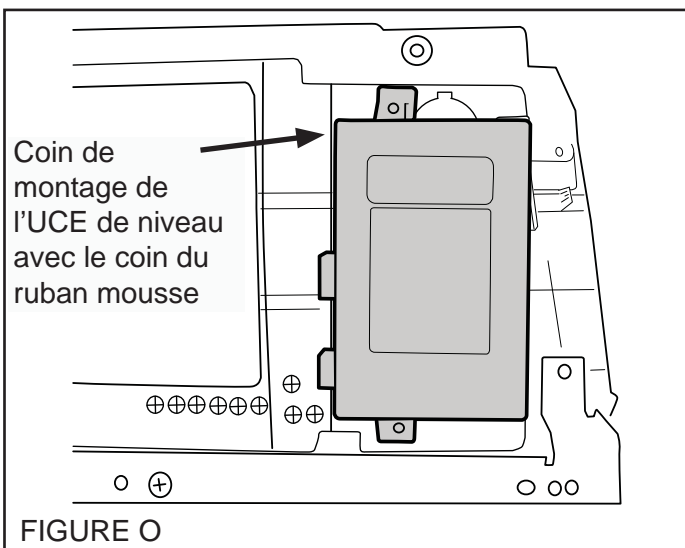


2. Retirez la grande bande de protection du ruban adhésif double-face et fixez l'UCE du démarreur à distance. Assurez-vous que le coin de l'UCE le plus près du petit connecteur gris est bien de niveau avec le coin supérieur gauche du ruban, comme illustré. Appuyez fermement pendant au moins 30 secondes. (FIGURE O)

REMARQUE : Assurez-vous que les connecteurs de l'UCE seront orientés vers le côté passager du véhicule lorsque le couvercle intérieur sera replacé.



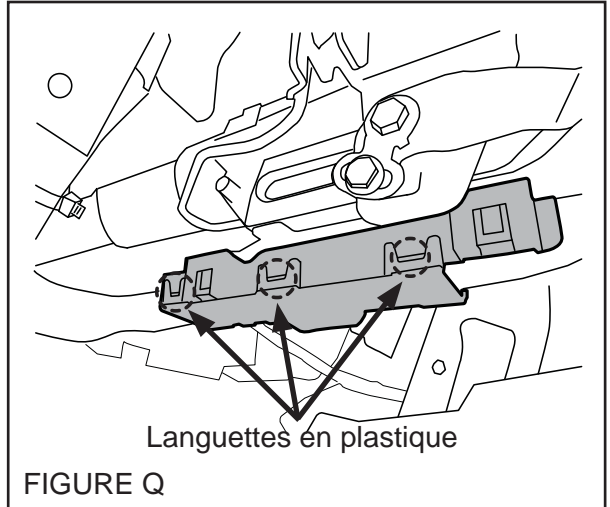
3. À l'aide d'une (1) attache autobloquante de 39 cm fournie, fixez l'UCE du démarreur à distance au couvercle intérieur de la boîte à gants. Coupez l'excédent de l'attache. (FIGURE P)



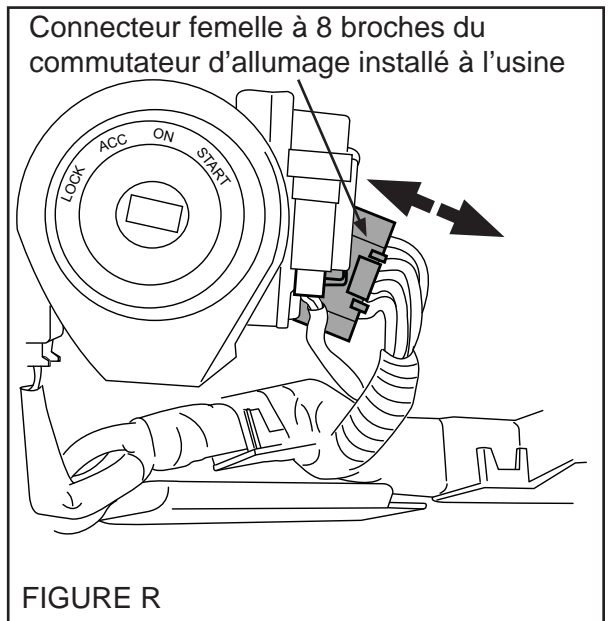
6 CONNEXION DU FAISCEAU DE CÂBLAGE DU DÉMARREUR À DISTANCE

CONNECTEURS À 8 BROCHES DU COMMUTATEUR D'ALLUMAGE

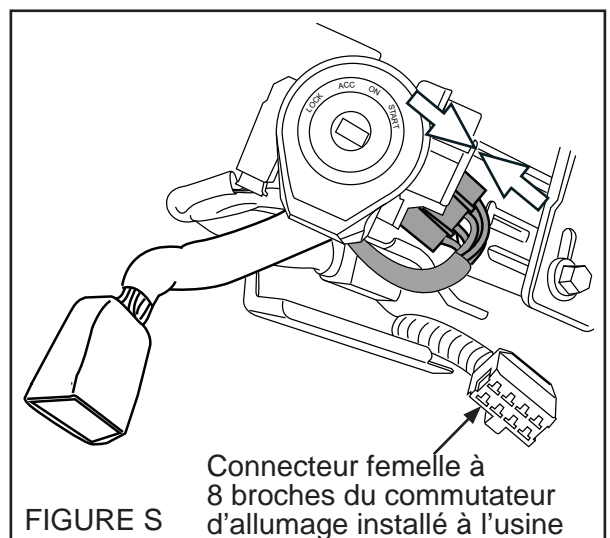
1. Réglez la colonne de direction inclinable/télescopique à la position la plus reculée (vers le conducteur) et la plus basse.
2. Repérez la glissière en plastique à la base de la colonne de direction qui protège le faisceau de câblage du commutateur d'allumage. (FIGURE Q)
À l'aide de l'outil de dépose de panneau, libérez délicatement les trois (3) languettes en plastique du côté gauche pour ouvrir la glissière en plastique et la faire basculer doucement vers le bas. (FIGURE Q)



3. Repérez le connecteur à 8 broches du commutateur d'allumage sur le côté droit de la colonne de direction et débranchez-le. Tirez délicatement sur le connecteur pour le dégager de la colonne de direction. (FIGURE R)



4. Branchez le connecteur femelle à 8 broches du faisceau de câblage du démarreur à distance au connecteur du commutateur d'allumage du véhicule. (FIGURE S)



6 CONNEXION DU FAISCEAU DE CÂBLAGE DU DÉMARREUR À DISTANCE, suite

CONNECTEURS À 8 BROCHES DU COMMUTATEUR D'ALLUMAGE, suite

5. Rabattez délicatement le connecteur mâle à 8 broches du démarreur à distance enveloppé de ruban mousse. Branchez le connecteur femelle à 8 broches du commutateur d'allumage installé à l'usine au connecteur mâle à 8 broches du faisceau de câblage du démarreur à distance. (FIGURE T)
6. Acheminez le faisceau de câblage du démarreur à distance dans la glissière en plastique à gauche du faisceau de câblage du commutateur d'allumage installé à l'usine. Insérez les trois (3) languettes en plastique pour fermer la glissière. (FIGURE U)
7. Fixez le connecteur mâle à 8 broches du faisceau de câblage du démarreur à distance enveloppé de ruban mousse au faisceau de câblage du véhicule au moyen d'une (1) attache autobloquante de 39 cm fournie. Fixez le faisceau de câblage du démarreur à distance au-dessus de la glissière en plastique à l'anneau de ruban blanc au moyen d'une (1) attache autobloquante de 39 cm fournie. Coupez l'excédent des attaches. (FIGURE V)

REMARQUE : Assurez-vous que les boucles d'attache sont tournées vers le haut pour éviter tout contact avec la coquille de la colonne de direction une fois l'installation terminée.

8. Continuez d'acheminer le faisceau de câblage du démarreur à distance avec les connecteurs prémontés à 2 et 4 broches, ainsi que le faisceau de câblage du véhicule vers le côté gauche du tableau de bord et fixez-les aux anneaux de ruban blanc au moyen de trois (3) attaches autobloquantes de 39 cm fournies. Coupez l'excédent des attaches. (FIGURE W)

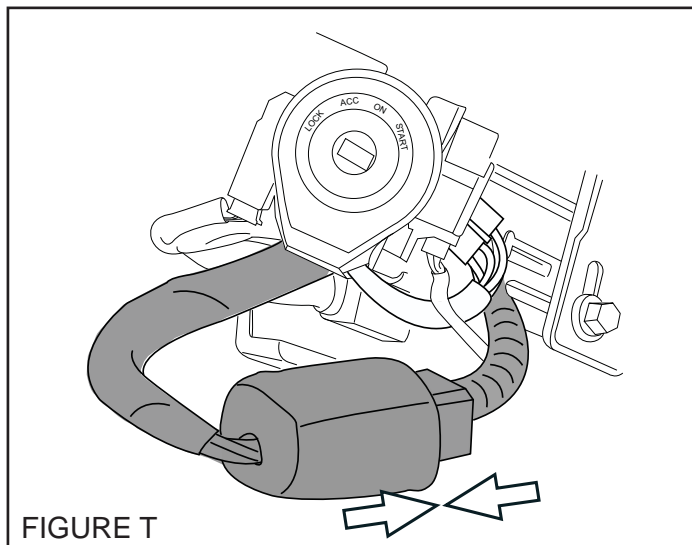


FIGURE T

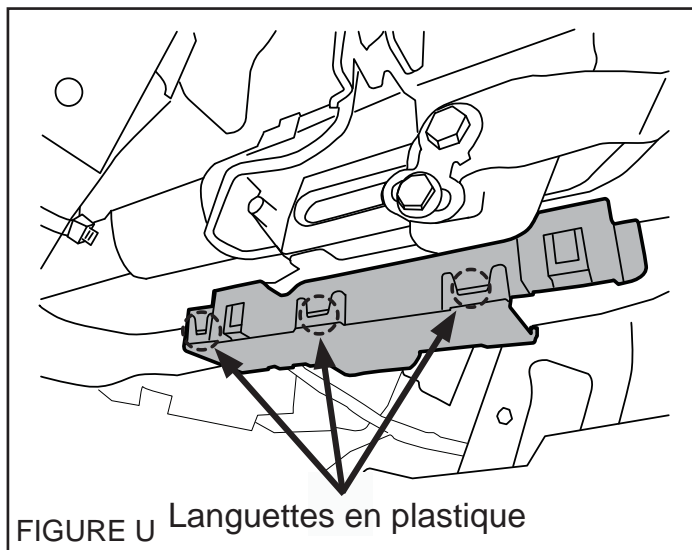


FIGURE U Languettes en plastique

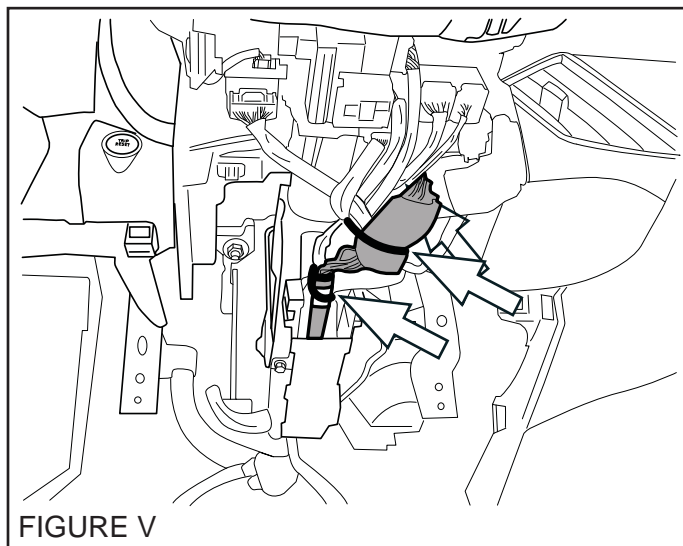


FIGURE V

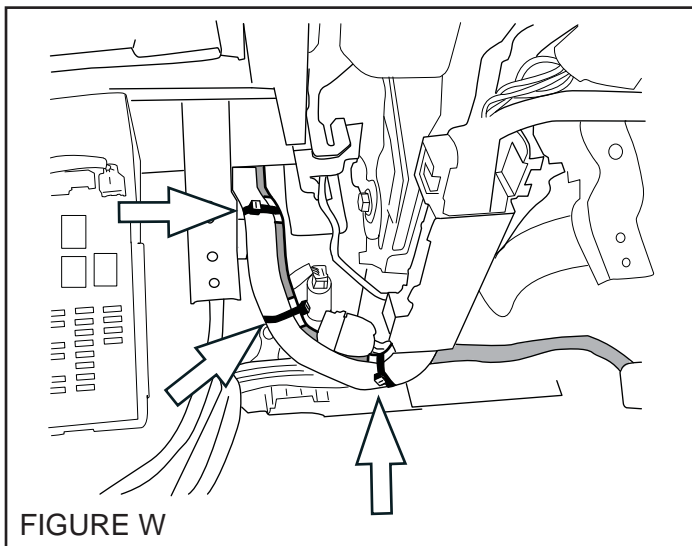


FIGURE W

6 CONNEXION DU FAISCEAU DE CÂBLAGE DU DÉMARREUR À DISTANCE, suite

CONNEXION DES CONNECTEURS PRÉMONTÉS

À 2 ET 4 BROCHES

9. Repérez et dégagez les connecteurs prémontés à 4 et 2 broches fixés au faisceau de câblage du véhicule par du ruban détachable, près de la paroi du tableau de bord, à gauche de la pédale de frein. (FIGURE X)

10. Lorsque les connecteurs prémontés à 4 et 2 broches sont dégagés du ruban détachable, débranchez le cavalier/connecteur homologue à 2 broches et mettez-le au rebut. (Il est destiné au circuit de coupure du lève-glace.)

11. Branchez les connecteurs à 4 et 2 broches du faisceau de câblage du démarreur à distance sur les connecteurs prémontés correspondants et fixez-les au faisceau de câblage du véhicule au moyen d'une (1) attache autobloquante de 39 cm fournie.

Coupez l'excédent des attaches. (FIGURE Y)

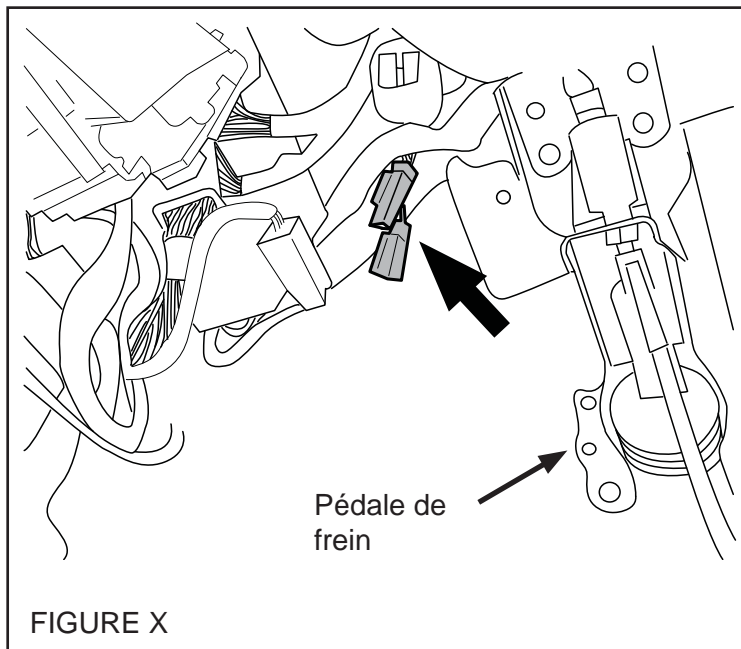


FIGURE X

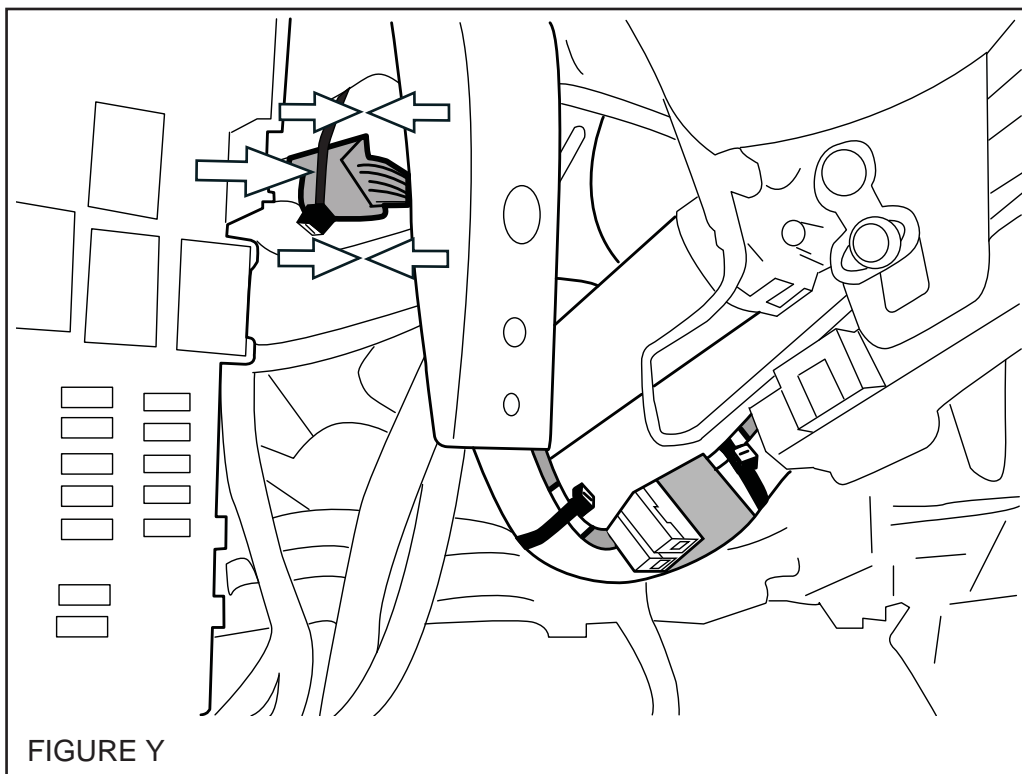


FIGURE Y

CONNEXION DE L'UCE DU DÉMARREUR À DISTANCE

12. Acheminez le faisceau de câblage de l'UCE avec les connecteurs à 12 et 8 broches vers la console centrale et fixez aux anneaux de ruban blanc au moyen de deux (2) attaches autobloquantes de 20 cm fournies. Coupez l'excédent des attaches. (FIGURE Z)

REMARQUE : L'attache inférieure est acheminée dans une fente du système CVC.

13. Continuez d'acheminer le faisceau de câblage du démarreur à distance derrière la console centrale et fixez-le à l'anneau de ruban blanc au moyen d'une (1) attache autobloquante de 20 cm fournie. Coupez l'excédent des attaches. (FIGURE AA)

REMARQUE : L'attache est acheminée dans une fente du système CVC.

14. Acheminez le faisceau de câblage du démarreur à distance vers l'UCE installée précédemment à l'arrière du couvercle intérieur de la boîte à gants (étape 5). Branchez les connecteurs à 12 et 8 broches du faisceau de câblage du démarreur à distance sur l'UCE. (FIGURE BB)

15. Fixez le faisceau de câblage de l'UCE à l'œillet au bas de l'UCE au moyen d'une (1) attache autobloquante de 20 cm fournie. Coupez l'excédent des attaches. (FIGURE CC)

REMARQUE : Assurez-vous que le faisceau de câblage du démarreur à distance n'est PAS trop serré, pour éviter le stress sur les connecteurs de l'UCE.

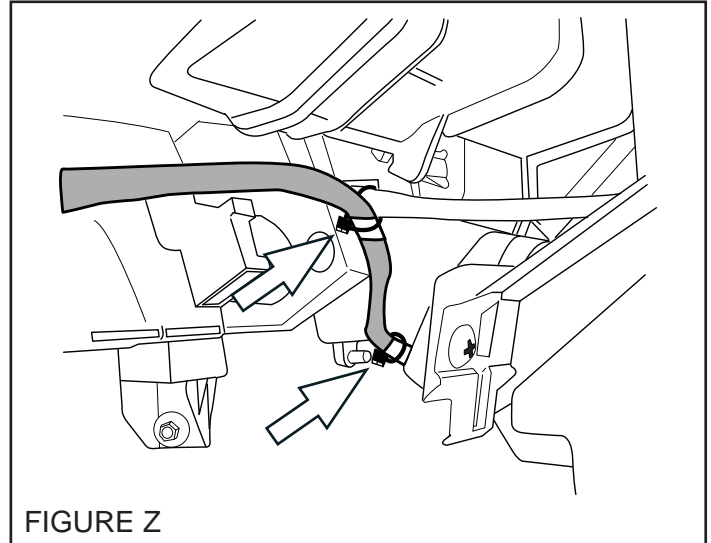


FIGURE Z

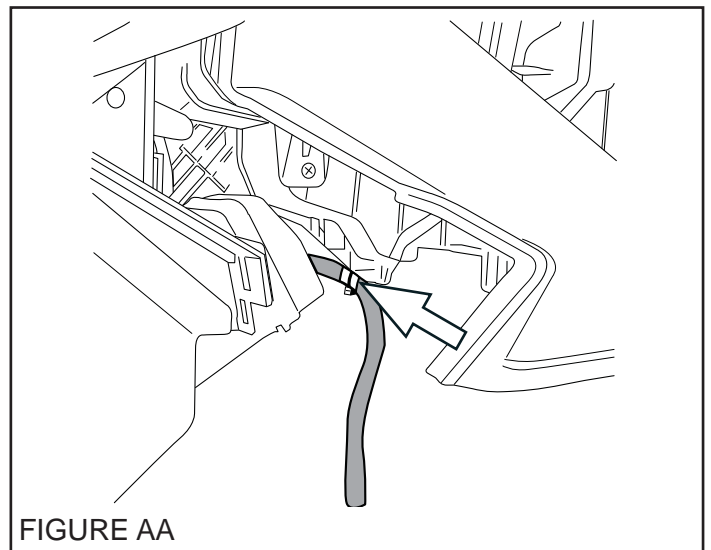


FIGURE AA

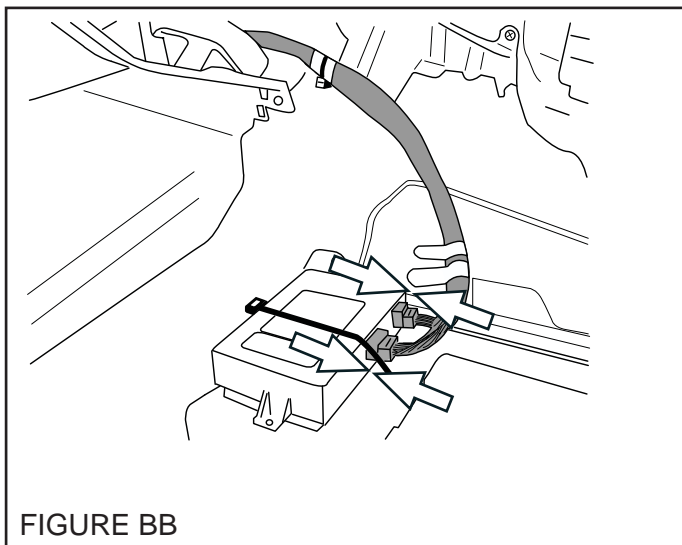


FIGURE BB

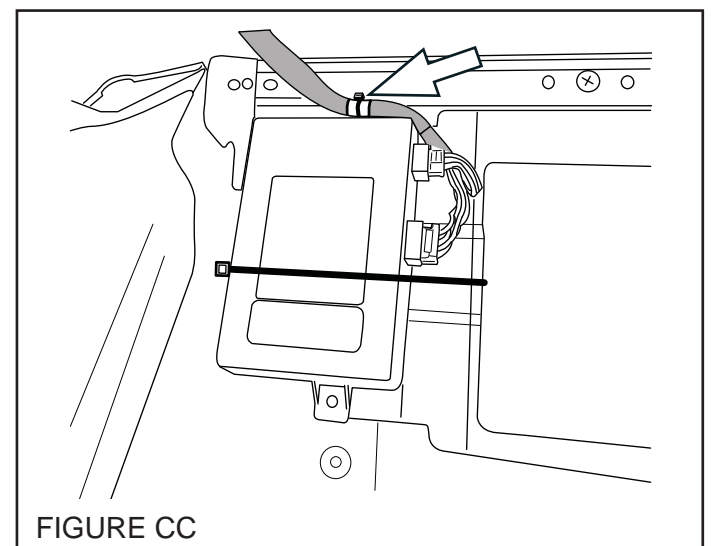
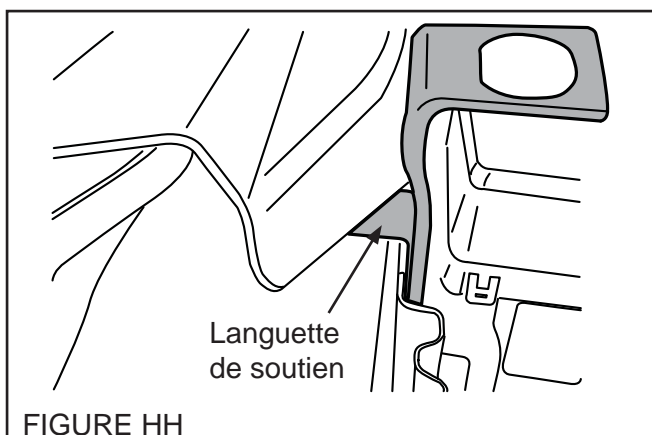
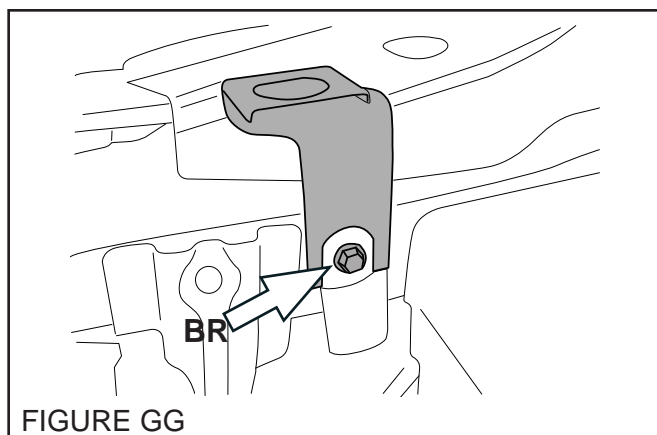
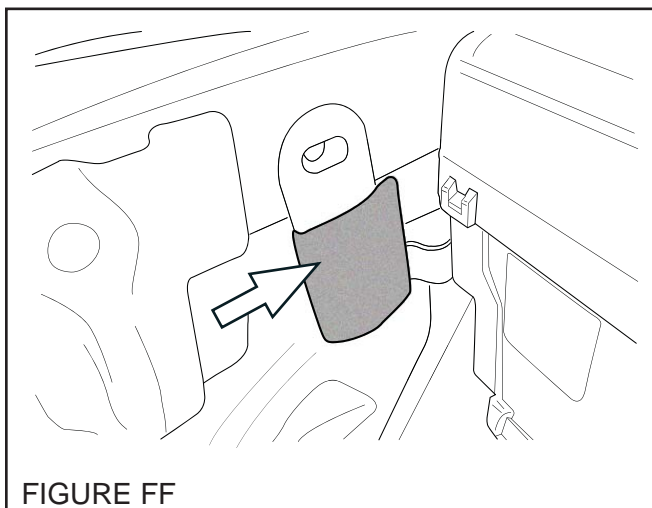
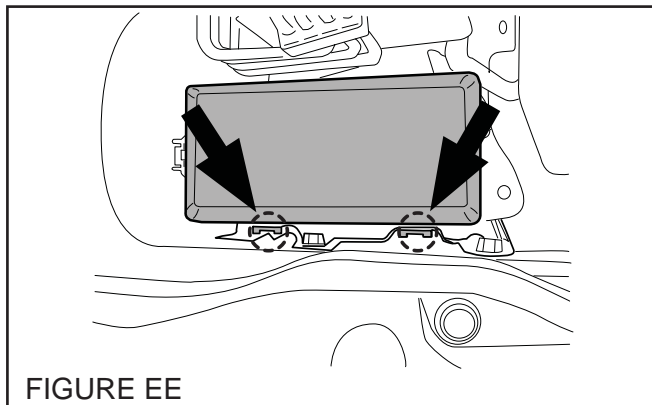
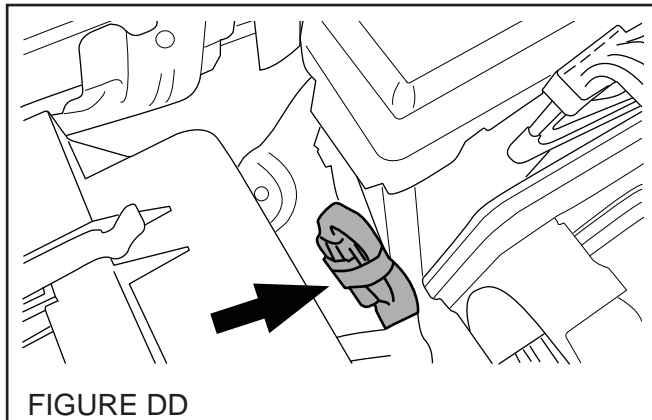


FIGURE CC

7 SUPPORT DU CONTACTEUR DE SÉCURITÉ DU CAPOT

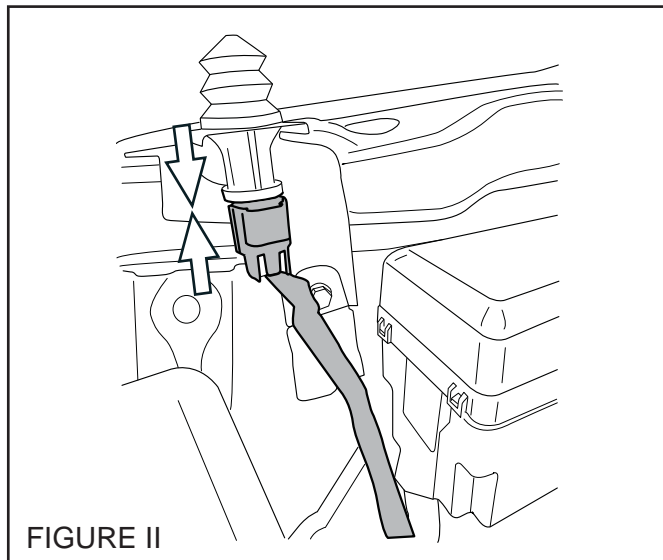
1. Dans le compartiment moteur, repérez et libérez le connecteur à 2 broches prémonté du contacteur de sécurité du capot, qui est fixé au faisceau de câblage du véhicule par du ruban détachable à l'avant de la boîte de relais du côté passager. (FIGURE DD)
2. Lorsque le connecteur à 2 broches du contacteur de sécurité du capot est dégagé du ruban détachable, débranchez-le et mettez au rebut le connecteur homologue à 2 broches.
3. Repérez la boîte de relais du véhicule située sur le support de l'aile côté passager. À l'aide de l'outil de dépose de panneau, dégagez les languettes de retenue de la boîte de relais et retirez-les pour accéder au boulon de 10 mm le plus près de l'avant du véhicule. (FIGURE EE)
4. Retirez le boulon de 10 mm le plus près de l'avant du véhicule, qui retient le support de la boîte de relais, et mettez-le au rebut. À l'aide du ruban mousse fourni, enveloppez le bas du support de la boîte de relais. (FIGURE FF)
REMARQUE : Le ruban mousse doit être affleurant avec le rebord inférieur du support de la boîte de relais.
5. À l'aide de la clé à rochet/douille de 10 mm, installez le contacteur de sécurité du capot derrière le support de la boîte de relais en utilisant le boulon de 10 mm fourni. (FIGURE GG)
6. Lorsque vous serrez le boulon de 10 mm, assurez-vous que la languette de soutien sur le support du contacteur de sécurité du capot est bien à plat contre le haut du support de l'aile. (FIGURE HH)
7. À l'aide de la clé à rochet/douille/rallonge de 10 mm, serrez le boulon à 10,8 +/- 2 Nm (1,10 +/- 0,2 kgf-m, 8 +/- 1,5 lb-pi).



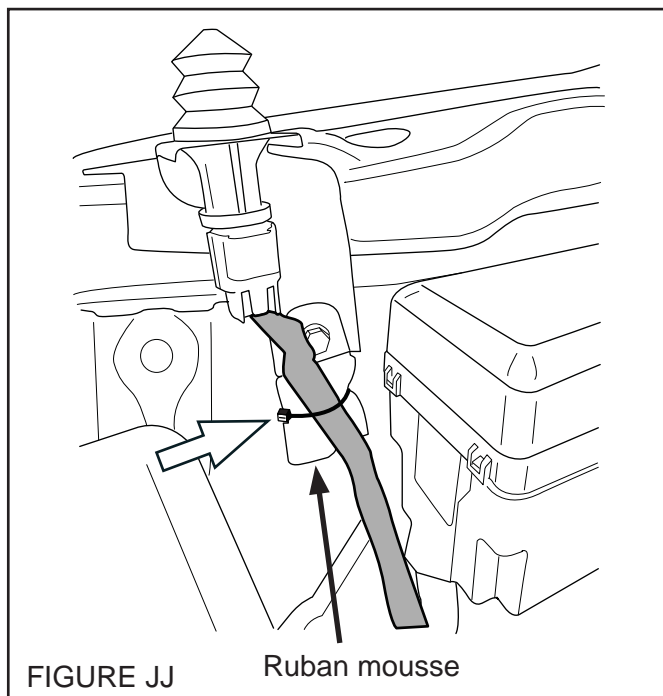
7

SUPPORT DU CONTACTEUR DE SÉCURITÉ DU CAPOT, suite

8. Enclenchez fermement le contacteur de sécurité du capot dans son support et branchez le connecteur femelle à 2 broches prémonté du véhicule à la base du contacteur. (FIGURE II)



9. À l'aide d'une (1) attache aubloquante de 20 cm fournie, fixez le faisceau de câblage du contacteur de sécurité du capot au support de la boîte de relais. Coupez l'excédent des attaches. (FIGURE JJ)



8 ÉTIQUETTE DE MISE EN GARDE DU COMPARTIMENT MOTEUR

1. En utilisant de l'alcool, nettoyez la partie supérieure de la chambre d'admission d'air à proximité du support de faisceau de radiateur.
2. Retirez l'endos adhésif de l'étiquette de mise en garde du compartiment moteur et collez-la sur le haut de la chambre d'admission d'air, comme illustré. (FIGURE KK)

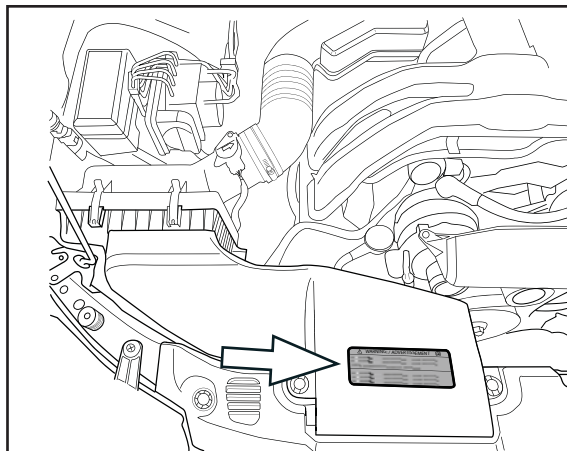


FIGURE KK

9 RÉASSEMBLAGE DU PANNEAU

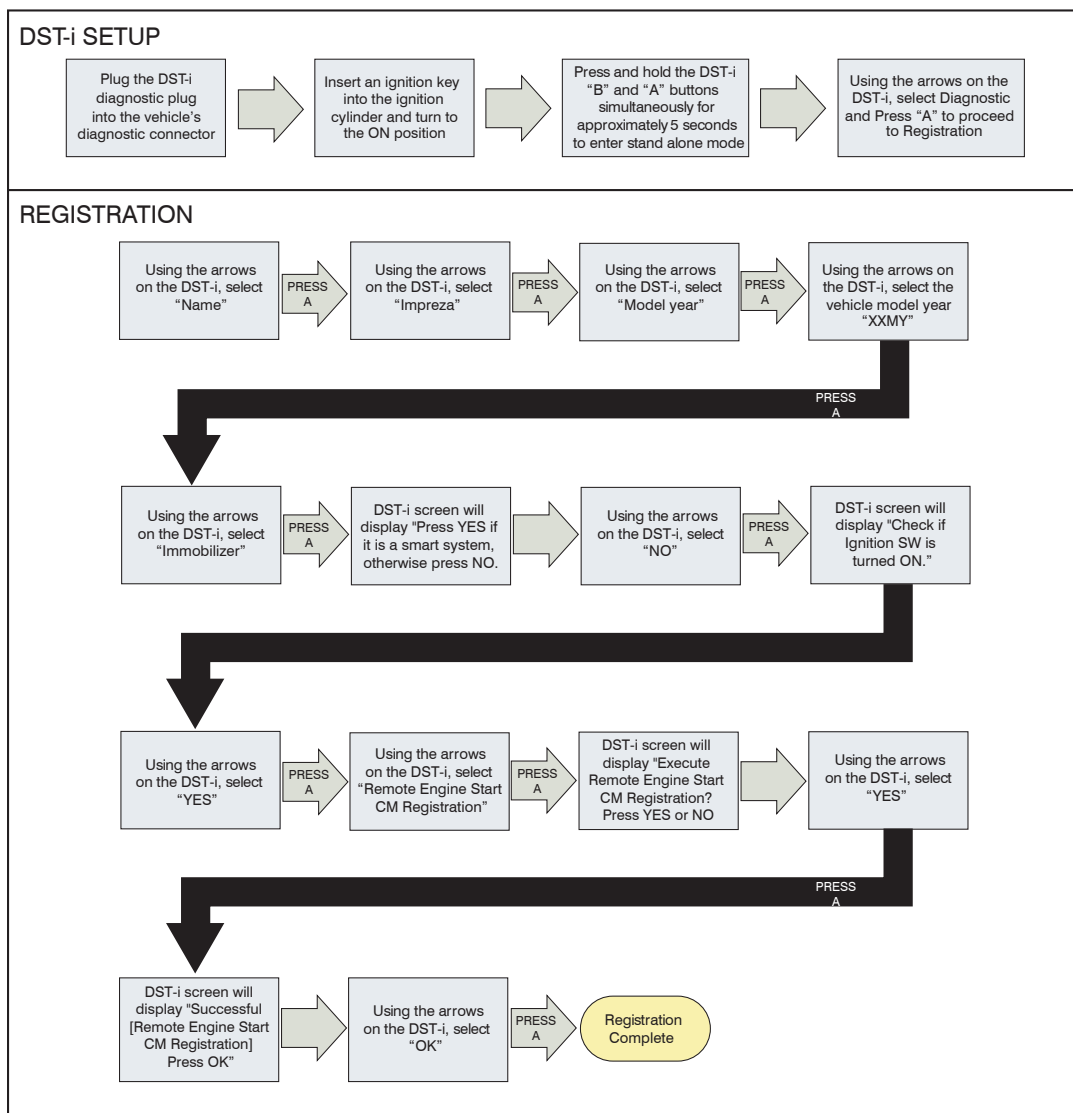
1. Branchez le connecteur électrique jaune sur le sac gonflable/protège-genoux. Assurez-vous que le connecteur jaune est complètement enfoncé. Si le connecteur n'est pas bien enfoncé, le témoin de sac gonflable du groupe d'instrument pourrait rester allumé. Remettez en place le protège-genoux/sac gonflable et serrez les deux (2) boulons de 10 mm à 7,5 +/- 2 Nm (0,76 +/- 0,2 kgf-m, 5,5 +/- 1,5 lb-pi).
2. Installez la coquille de la colonne de direction et fixez-la à l'aide de deux (2) vis cruciformes.
3. Installez le panneau inférieur droit du tableau de bord et fixez-le à l'aide d'une (1) vis cruciforme.
4. Rebranchez tous les connecteurs débranchés au démontage et installez le panneau inférieur gauche du tableau de bord côté conducteur.
5. Remettez la vis cruciforme qui sert à fixer le panneau inférieur sur le côté gauche du tableau de bord.
6. Installez le panneau gauche du tableau de bord.
7. Rebranchez le connecteur de la lampe sur le couvercle intérieur de la boîte à gants. Installez le couvercle intérieur de la boîte à gants au moyen des six (6) attaches à pression et fixez-le à l'aide de sept (7) vis cruciformes.
8. Installez le panneau de garniture côté passager à l'aide de quatre (4) attaches à pression et d'une (1) attache à griffe.
9. Installez le panneau du côté droit du tableau de bord à l'aide des quatre (4) attaches à pression.
10. Installez la boîte à gants et le support.
11. À la fin de l'installation, glissez la Carte de référence rapide dans le dossier du propriétaire.

10 DÉMARRAGE DU SYSTÈME

1. Une fois toutes les connexions terminées, rebranchez la borne négative de la batterie du véhicule. À l'aide de la clé à rochet/douille/rallonge de 10 mm, serrez le boulon à 7,5 +/- 2 Nm (0,76 +/- 0,2 kgf-m, 5,5 +/- 1,5 lb-pi).
2. Faites démarrer le véhicule au moins une (1) fois avec la clé de contact avant d'essayer le système de démarrage à distance. Cette précaution est nécessaire pour permettre aux systèmes électroniques du véhicule de se resynchroniser.
3. Démarrez le moteur à l'aide de la clé de contact et vérifiez si le témoin de coussin gonflable du tableau de bord s'éteint. Si le témoin de coussin gonflable reste allumé, reportez-vous à l'information de service après-vente du véhicule pour avoir des précisions sur le dépannage.
4. Démarrez le moteur à l'aide de la clé de contact, appliquez les freins et déplacez la transmission à une autre position que celle de stationnement. Coupez le moteur et assurez-vous que la clé ne peut pas être retirée du contact. Si la clé peut être retirée, vérifiez si le connecteur à solénoïde de verrouillage est bien branché et si le fusible de mode livraison (test) est retiré, puis essayez de nouveau.
5. Pour restaurer les fonctions des glaces électriques, consultez la procédure de réinitialisation des glaces à commande électrique dans le manuel du propriétaire du véhicule.

11 ENREGISTREMENT DU SYSTÈME

REMARQUE: Une fois que l'allumage est sur ON, le système quittera l'enregistrement du système après 2 minutes.



- 1. DÉMARRAGE À DISTANCE – Assurez-vous que la clé est retirée du contact et que le capot ainsi que toutes les portes sont fermées, y compris le coffre. Appuyez sur le bouton START de la télécommande de démarrage à distance deux (2) fois en trois (3) secondes. Les feux de stationnement du véhicule doivent clignoter et l'avertisseur retentir une (1) fois, puis le véhicule doit démarrer. Lorsque le moteur tourne, le témoin à DEL de la télécommande clignote deux (2) fois et les feux de stationnement s'allument, indiquant que le moteur tourne. Le témoin à DEL de la télécommande clignote une (1) fois toutes les trois (3) secondes, indiquant que le moteur tourne toujours.
- 2. ARRÊT AVEC PORTE OUVERTE – Pendant que le moteur est en marche après un démarrage à distance, attendez au moins cinq (5) secondes, puis vérifiez la bonne marche de toutes les fonctions (verrouillage, déverrouillage, coffre, sauf le bouton d'alarme) sur la télécommande D'ORIGINE. Après avoir confirmé le fonctionnement de la télécommande D'ORIGINE, appuyez sur le bouton de DÉVERROUILLAGE de cette télécommande et ouvrez n'importe laquelle des portes. Le démarreur à distance doit s'arrêter et le témoin à DEL de la télécommande doit clignoter trois (3) fois pour indiquer l'arrêt du système.
- 3. ACTIVATION AVEC PORTE OUVERTE – Assurez-vous que la clé est retirée du contact et que le capot et le coffre sont fermés. Ouvrez la porte du conducteur et appuyez sur le bouton START de la télécommande de démarrage à distance deux (2) fois en trois (3) secondes. Les feux de stationnement du véhicule doivent clignoter et l'avertisseur retentir six (6) fois. Le moteur ne doit pas démarrer si n'importe laquelle des portes est ouverte, y compris le coffre.
- 4. SÉCURITÉ DE LA PÉDALE DE FREIN – Prenez place derrière le volant, toutes les portes fermées (y compris le capot et le coffre), activez le démarrage à distance et appuyez sur la pédale de frein. Le moteur doit s'arrêter.
- 5. DÉTECTION DE LA CLÉ AU CONTACT – Prenez place derrière le volant, toutes les portes fermées (y compris le capot et le coffre) et introduisez la clé dans le contact, en la laissant à la position OFF. Activez le démarrage à distance. Les feux de stationnement du véhicule doivent clignoter et l'avertisseur retentir deux (2) fois. Le moteur ne doit pas démarrer, puisque la clé est dans le contact.
- 6. CONTACTEUR DE SÉCURITÉ DU CAPOT – Ouvrez le capot et activez le démarrage à distance. Les feux de stationnement du véhicule doivent clignoter et l'avertisseur retentir deux (2) fois. Le moteur ne doit pas démarrer, puisque le contacteur de sécurité du capot est activé.
- 7. CHAUFFAGE ET CLIMATISATION – Introduisez la clé de contact et tournez-la à la position ON. Mettez en marche le chauffage ou la climatisation. Tournez ensuite la clé à la position OFF et retirez-la. Activez le démarreur à distance et vérifiez si le chauffage ou la climatisation se met en marche au réglage choisi avant la coupure du contact, s'il s'agit d'un système CVC manuel, ou au réglage maximum automatique, s'il s'agit d'un système CVC électronique.
- 8. DURÉE MAXIMALE DE FONCTIONNEMENT DE 15 MINUTES – Activez le système de démarrage à distance et laissez le moteur tourner pendant 15 minutes. Le démarreur à distance devrait arrêter le moteur après 15 minutes (+/- 10 secondes).
- 9. VÉRIFICATION DU FONCTIONNEMENT DE LA TÉLÉCOMMANDE – Activez le démarreur à distance tour à tour avec les deux télécommandes à un bouton fournies.

L'ESSAI DE FONCTIONNEMENT EST MAINTENANT TERMINÉ.

NUMÉRO DE PIÈCE H001SFL101	VERSION 00	DATE 9 Fév. 2017	SUBARU OF AMERICA	14 DE 14
-------------------------------	---------------	---------------------	-------------------	----------