

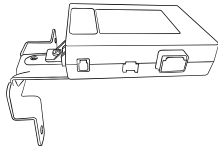


GENUINE PARTS INSTALLATION INSTRUCTIONS

PART NUMBER: H001SAN000

DESCRIPTION: LONG RANGE PUSH START
REMOTE ENGINE START SYSTEM
LEGACY / OUTBACK

1 KIT CONTENTS



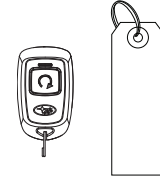
Remote Engine Start Control Module (ECU)
Quantity=1



ECU Foam Tape
Quantity=2



Pre-Arranged Jumper Wiring Harness
Quantity=1



Remote Engine Start Transmitters w/ Warning Tags
Quantity=2



Under Hood Warning Label
Quantity=1



Quick Reference Card
Quantity=1 English,
1 French



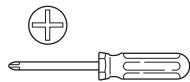
10mm Hex Flange Nut
Quantity=2



Tie Wrap
39cm Quantity=5*

* Extra components intentionally placed in kit as spares. Please follow instructions for proper placement of each component.

2 TOOLS REQUIRED



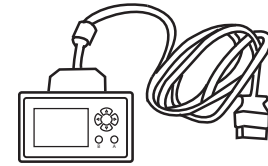
Phillips Screwdriver



Panel Removal Tool



Wire Cutters



SSM4 (DST-i)
Diagnostic Interface and
Network-Enabled Laptop



Ratchet, 10mm Socket &
Extension



Torque Wrench



Alcohol and Towel

3 MEANING OF CHARACTERS



: Remove

T : Tighten Torque



: Install



: Loosen



: Disconnect



: Discard



: Connect



: Re-use



: Location of Clip or Screw

CAUTION: DO NOT SECURE ANY REMOTE START HARNESSSES TO ANY YELLOW HARNESSSES / CONNECTORS (AIRBAG SYSTEM) IN THE VEHICLE.

PART NUMBER
H001SAN000

ISSUE
00

DATE
12 Sept 2019

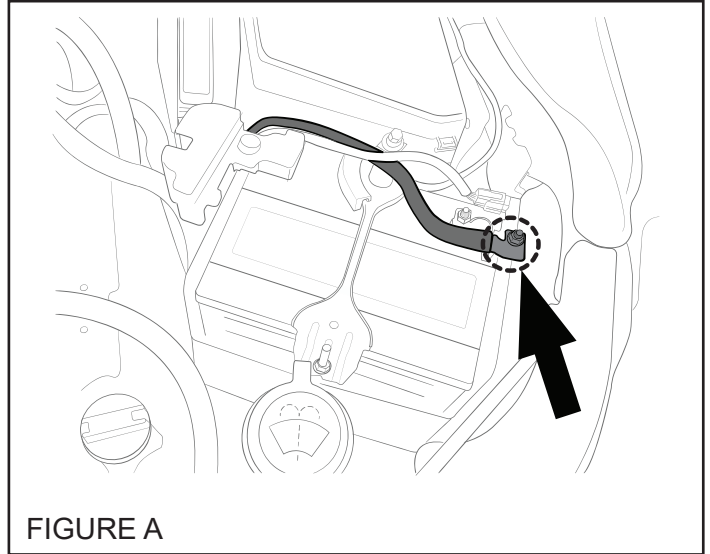
SUBARU OF AMERICA

1 OF 12

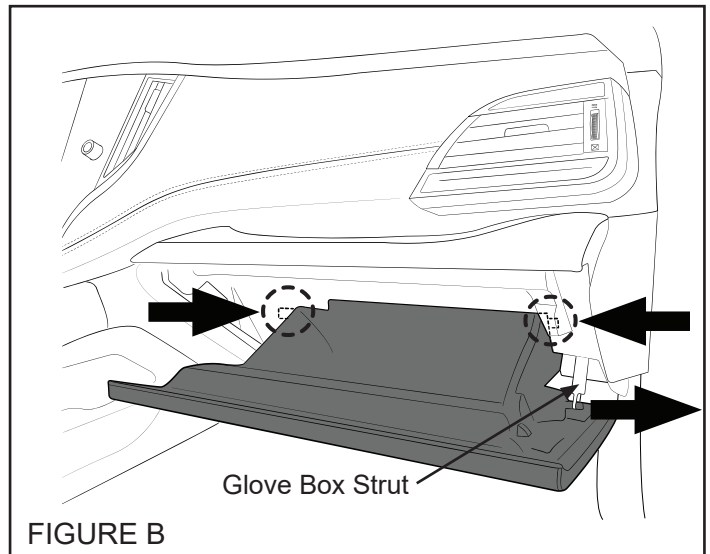
4 VEHICLE PREPARATION

1. Using a 10mm socket/ratchet, disconnect the negative battery cable. (FIGURE A)

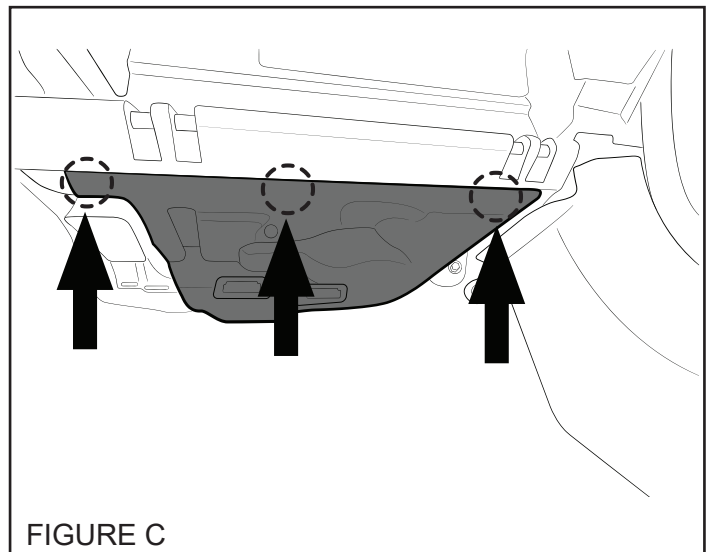
NOTE: Do not disconnect the battery terminal from the battery post.



2. Open the glove box and press inward on the sides of the glove box to disengage the retaining tabs from the glove box inner cover. Disconnect the strut to remove the glove box. (FIGURE B)

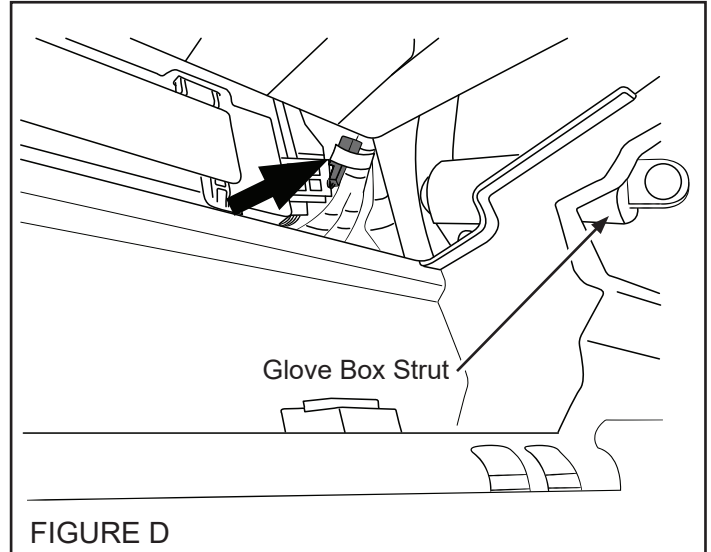


3. Using a panel removal tool, carefully press downward to disengage three (3) pressure clips to remove the passenger's side under dashboard finisher panel. (FIGURE C)

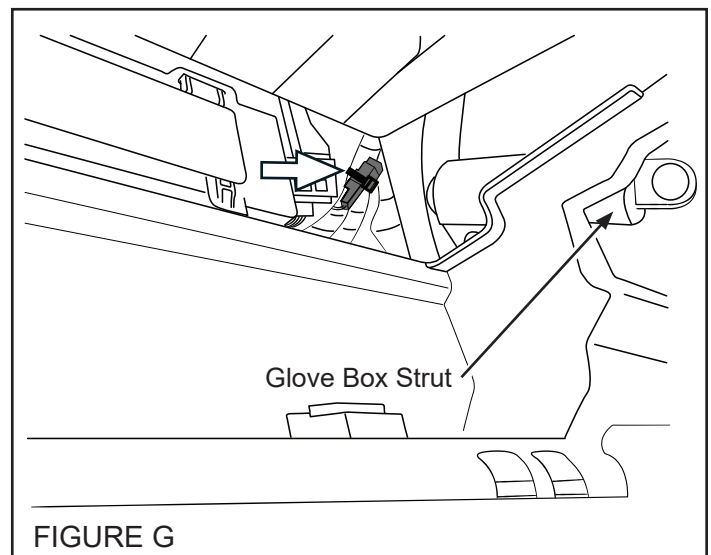
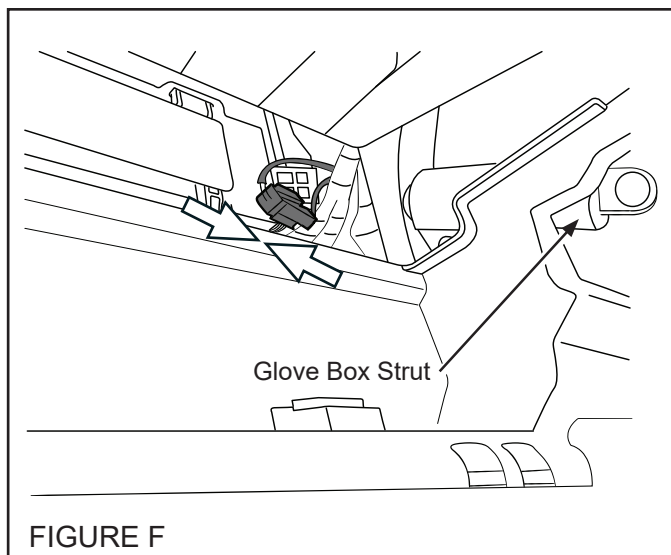
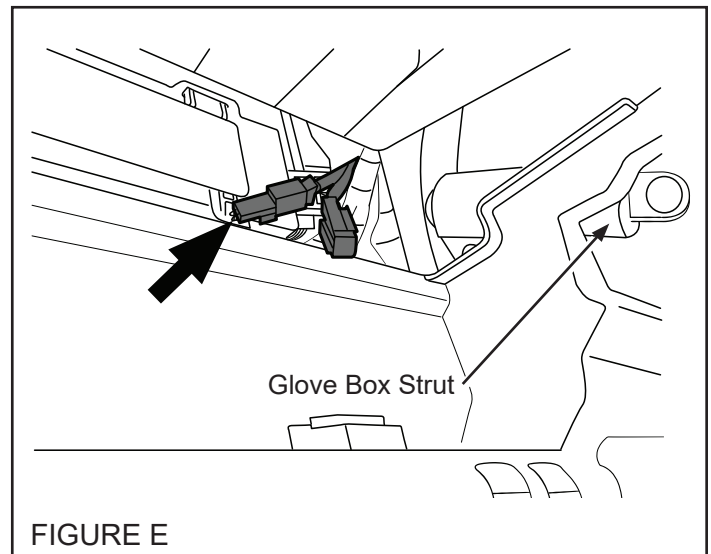


5 PRE-ARRANGED POWER WINDOW INTERRUPT CONNECTION

1. Locate and release the vehicle's 2-pin power window interrupt pre-fit connectors secured to the vehicle's wire harness with breakaway tape near the upper right passenger's side glove box area. (FIGURE D)



2. When the vehicle's 2-pin power window interrupt pre-fit connectors are free from the breakaway tape, unplug and discard the 2-pin mating connector/wire jumper. (FIGURE E)
3. Plug the 2-pin power window interrupt pre-fit connectors together to complete the circuit. (FIGURE F)
4. Secure the 2-pin power window interrupt pre-fit connectors to the vehicle's wire harness with one (1) of the supplied 39cm tie wraps. Trim off the excess tie wrap. (FIGURE G)

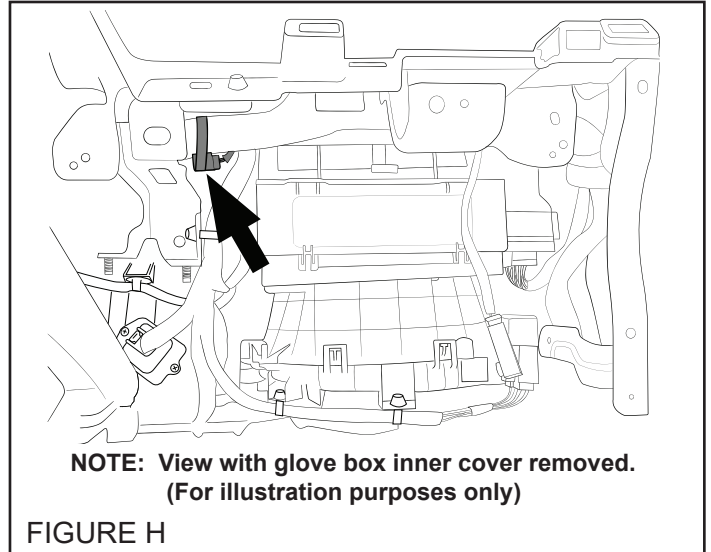


6

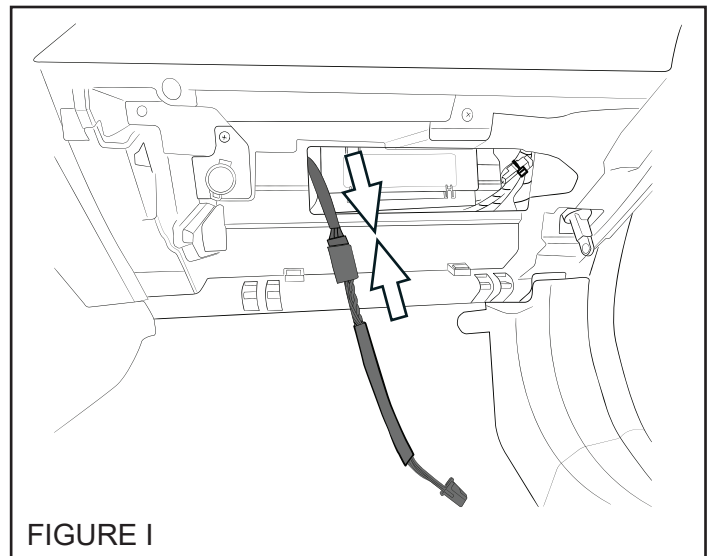
PRE-ARRANGED JUMPER HARNESS CONNECTION / RES ECU MOUNTING NON HARMAN/KARDON AUDIO SYSTEM EQUIPPED VEHICLES

IMPORTANT! THIS SECTION ONLY APPLIES TO VEHICLES WITHOUT THE HARMAN/KARDON AUDIO SYSTEM. FOR VEHICLES EQUIPPED WITH THE HARMAN/KARDON AUDIO SYSTEM, DISREGARD THIS SECTION AND PROCEED TO SECTION 7.

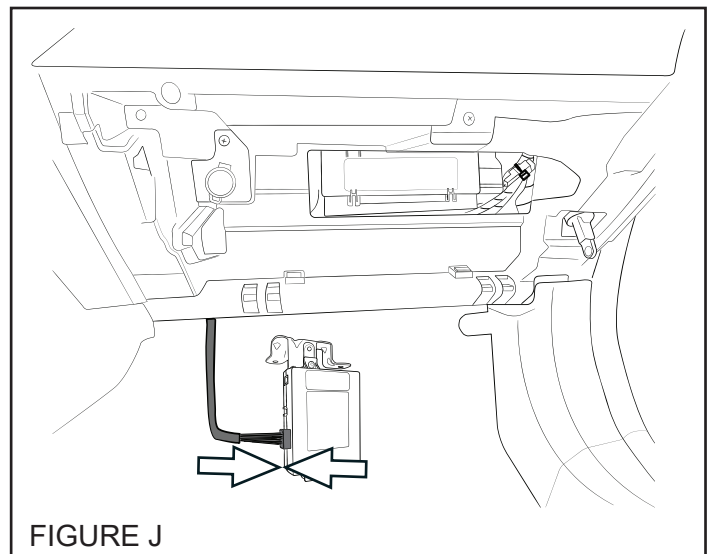
1. Locate and release the vehicle's 12-pin pre-arranged harness connector secured to the vehicle's wire harness with breakaway tape near the upper left passenger's side glove box area. (FIGURE H)



2. When the vehicle's 12-pin pre-arranged harness connector is free from the breakaway tape, route the harness down through the opening in the glove box inner cover. Plug the 12-pin pre-arranged harness connector into the remote engine start jumper harness 12-pin connector. (FIGURE I)

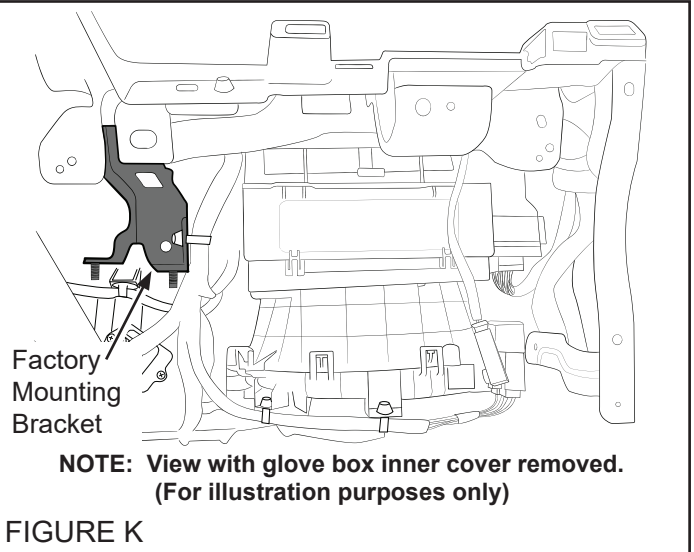


3. Route the remote engine start harness back through and behind the glove box inner cover. Plug the remote engine start jumper harness 12-pin connector into the 12-pin white port on the remote engine start ECU. (FIGURE J)



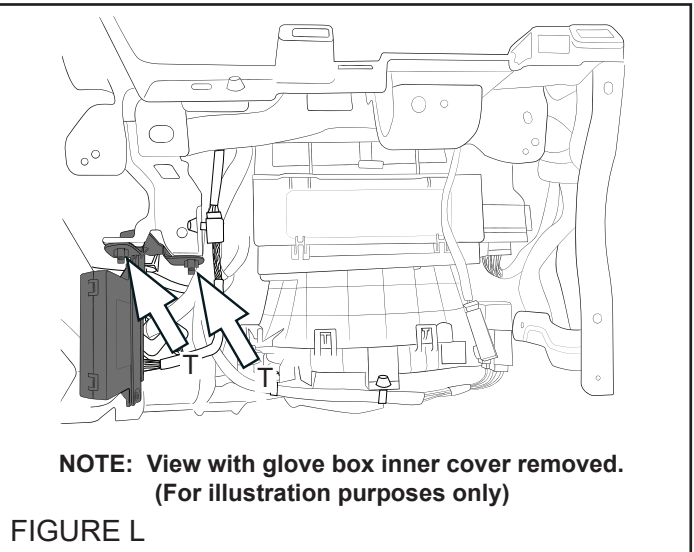
6 PRE-ARRANGED JUMPER HARNESS CONNECTION / RES ECU MOUNTING, continued NON HARMAN/KARDON AUDIO SYSTEM EQUIPPED VEHICLES

4. Locate the factory mounting bracket/studs near the upper left passenger's side glove box area. (FIGURE K)

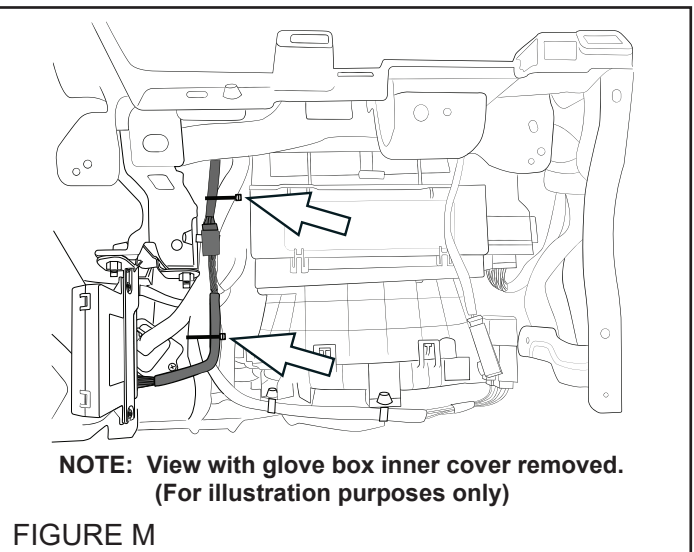


5. Using the two (2) supplied 10mm hex flange nuts, secure the remote engine start ECU/bracket to the factory bracket/studs, as shown. (FIGURE L)
6. Using a 10mm socket/torque wrench, tighten the 10mm hex flange nuts to 7.5 Nm +/- 2 Nm (0.76 Kgf-m +/- 0.2 Kgf-m, 5.5 ft-lbs +/- 1.5 ft-lbs).

NOTE: Ensure the Remote Engine Start ECU connectors will be facing forward, toward the vehicle's dashwall.



7. Using two (2) of the supplied 39cm tie wraps, secure the pre-arranged jumper harness to the vehicle's wire harness above and below the pre-arranged harness connection, as shown. Trim off the excess tie wraps. (FIGURE M)



7

PRE-ARRANGED JUMPER HARNESS CONNECTION / RES ECU MOUNTING HARMAN/KARDON AUDIO SYSTEM EQUIPPED VEHICLES

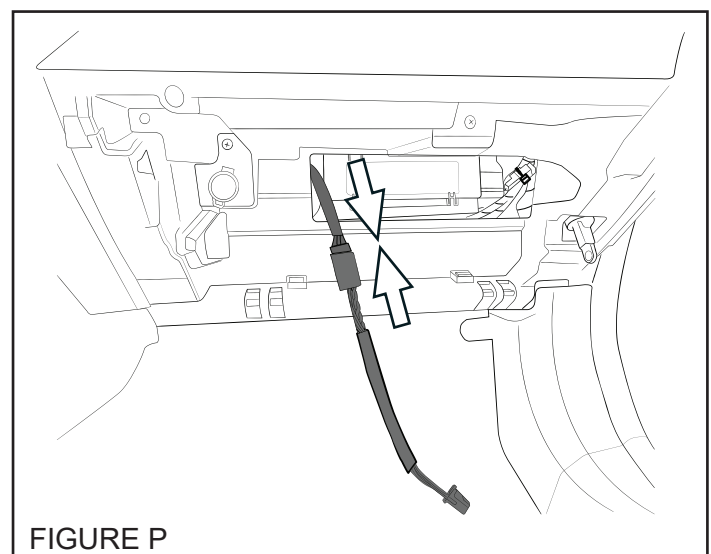
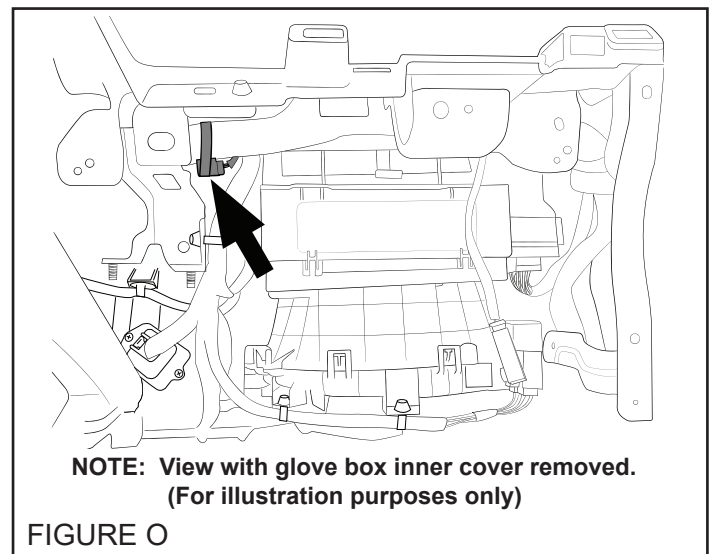
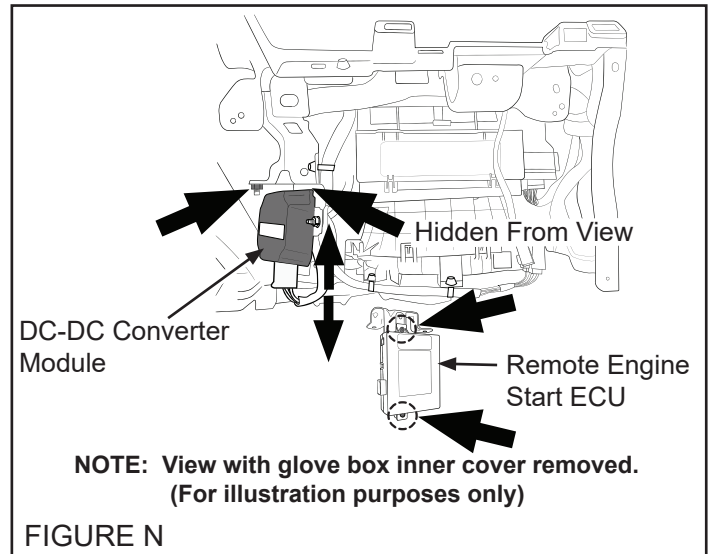
IMPORTANT! THIS SECTION ONLY APPLIES TO VEHICLES WITH THE HARMAN/KARDON AUDIO SYSTEM. FOR VEHICLES NOT EQUIPPED WITH THE HARMAN/KARDON AUDIO SYSTEM, DISREGARD THIS SECTION AND RETURN TO SECTION 6.

1. Locate the DC-DC Converter Module near the upper left passenger's side glove box area and the remote engine start ECU. Using a 10mm socket/ratchet, remove the two (2) 10mm hex flange nuts securing the DC-DC Converter Module and remove it from its mounting location. Unplug the two (2) vehicle harness connectors from the DC-DC Converter Module. Using a Phillips screwdriver, remove the two (2) screws securing the remote engine start ECU to the mounting bracket, as shown. (FIGURE N)

NOTE: The remote engine start ECU mounting bracket/screws will not be used on this vehicle.

2. Locate and release the vehicle's 12-pin pre-arranged harness connector secured to the vehicle's wire harness with breakaway tape near the upper left passenger's side glove box area. (FIGURE O)

3. When the vehicle's 12-pin pre-arranged harness connector is free from the breakaway tape, route the harness down through the opening in the glove box inner cover. Plug the 12-pin pre-arranged harness connector into the remote engine start jumper harness 12-pin connector. (FIGURE P)



7 PRE-ARRANGED JUMPER HARNESS CONNECTION / RES ECU MOUNTING, continued HARMAN/KARDON AUDIO SYSTEM EQUIPPED VEHICLES

4. Route the remote engine start harness back through and behind the glove box inner cover. Plug the remote engine start jumper harness 12-pin connector into the 12-pin white port on the remote engine start ECU. (FIGURE Q)

5. Using alcohol, clean the face of the DC-DC Converter Module above and below the ID label and the back of the remote engine start ECU, as shown. (FIGURE Q)

NOTE: Ensure the DC-DC Converter Module and Remote Engine Start ECU are completely dry.

6. Using the supplied double sided foam tape, remove the two (2) release liners and attach to the face of the DC-DC Converter Module above and below the ID label, as shown. Press the foam tape firmly in place for at least thirty (30) seconds. (FIGURE R)

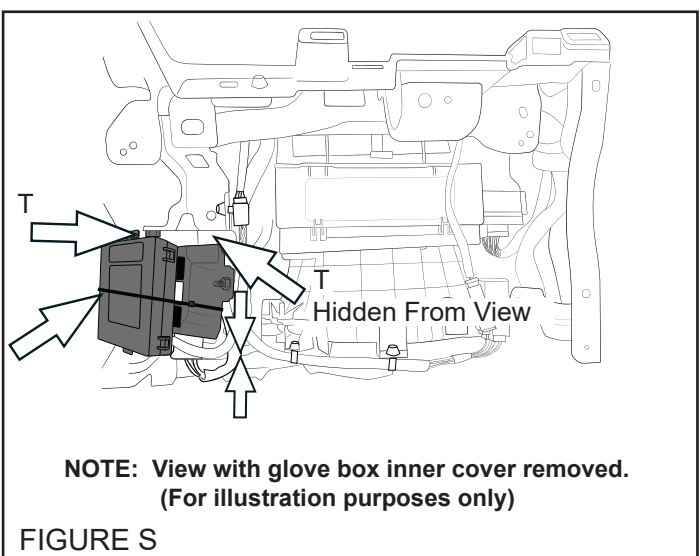
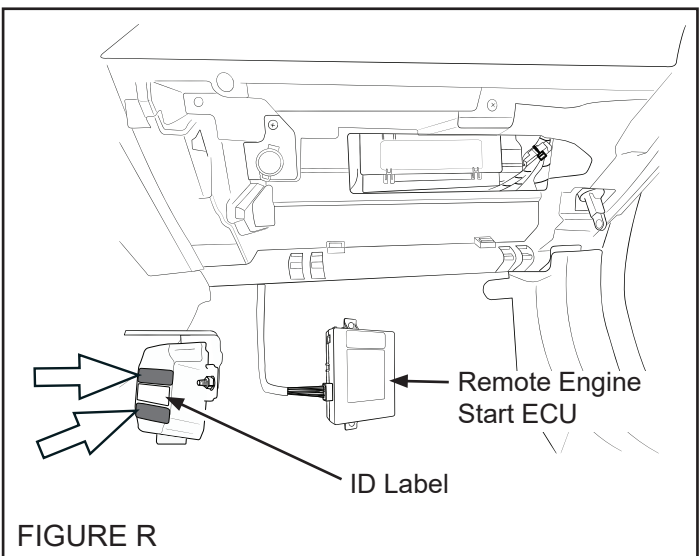
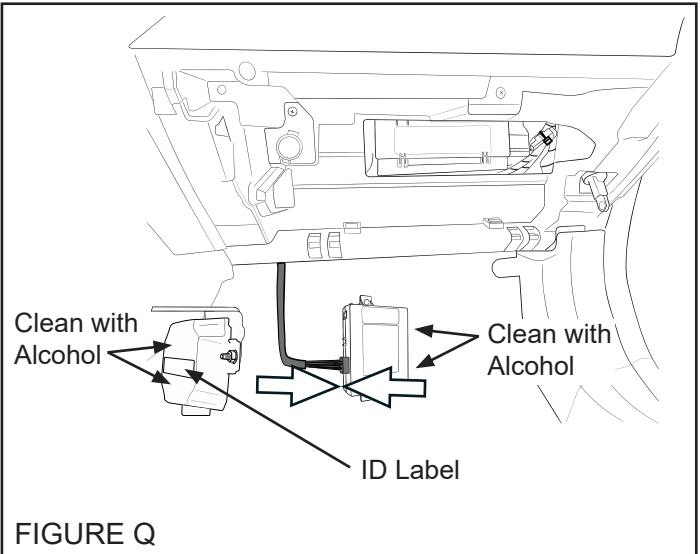
NOTE: Ensure the foam tape does not cover the DC-DC Converter Module ID Label.

7. Remove the two (2) remaining release liners from the foam tape and attach the remote engine start ECU, as shown. Ensure the ECU is mounted flush with the **top, left edges** of the DC-DC Converter Module without interfering with the two (2) bracket mounting holes. Press the ECU firmly in place for at least thirty (30) seconds. (FIGURE S)

8. Using one (1) of the supplied 39cm tie wraps, secure the remote engine start ECU to the DC-DC Converter Module, as shown. Trim off the excess tie wrap. Plug the two (2) vehicle harness connectors back into the DC-DC Converter Module. (FIGURE S)

9. Using the two (2) previously removed 10mm hex flange nuts, secure the DC-DC Converter Module and remote engine start ECU assembly back to the factory bracket/studs. (FIGURE S)

10. Using a 10mm socket/torque wrench, tighten the 10mm hex flange nuts to 7.5 Nm +/- 2 Nm (0.76 Kgf-m +/- 0.2 Kgf-m, 5.5 ft-lbs +/- 1.5 ft-lbs).

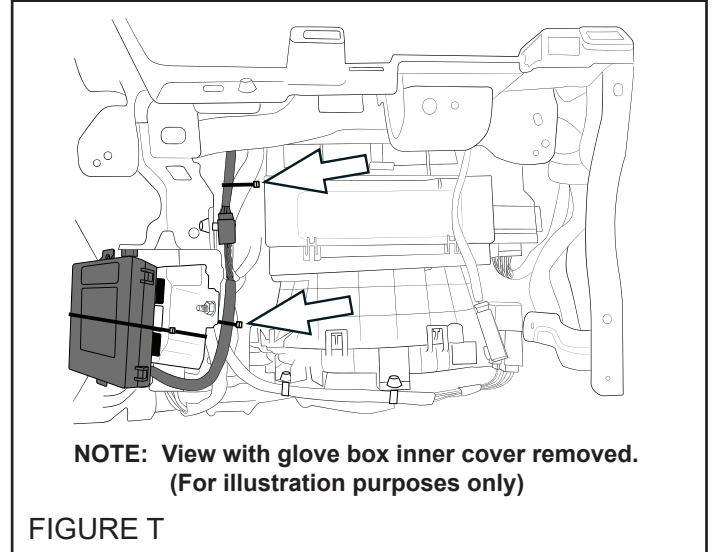


**NOTE: View with glove box inner cover removed.
(For illustration purposes only)**

FIGURE S

7 PRE-ARRANGED JUMPER HARNESS CONNECTION / RES ECU MOUNTING, continued HARMAN/KARDON AUDIO SYSTEM EQUIPPED VEHICLES

- Using two (2) of the supplied 39cm tie wraps, secure the pre-arranged jumper harness to the vehicle's wire harness above and below the pre-arranged harness connection, as shown. Trim off the excess tie wraps. (FIGURE T)



8 PANEL RE-ASSEMBLY

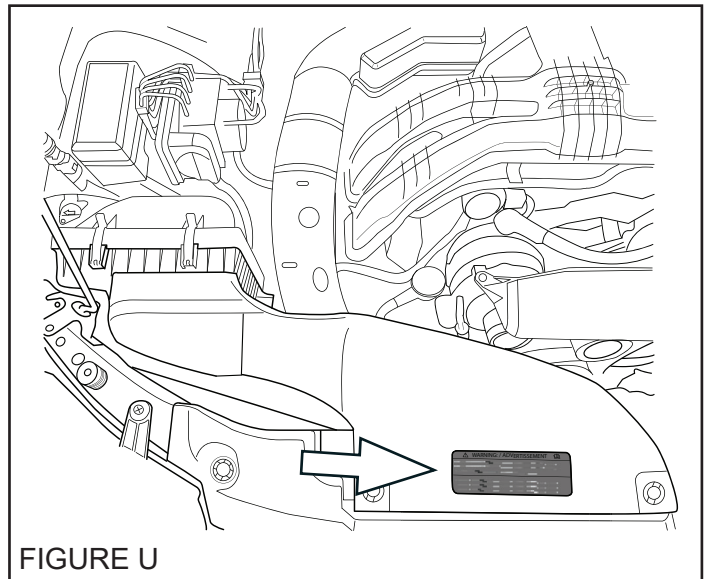
- Re-install the passenger's side under dashboard finisher panel by engaging the three (3) pressure clips.
- Re-install the glove box and strut.
- At the end of the installation, insert the Quick Reference Cards into the Owner's Information Kit.

9 UNDER HOOD WARNING LABEL MOUNTING

- Using alcohol, clean the top of the air intake plenum, near the radiator core support.

NOTE: Ensure the air intake plenum is completely dry.

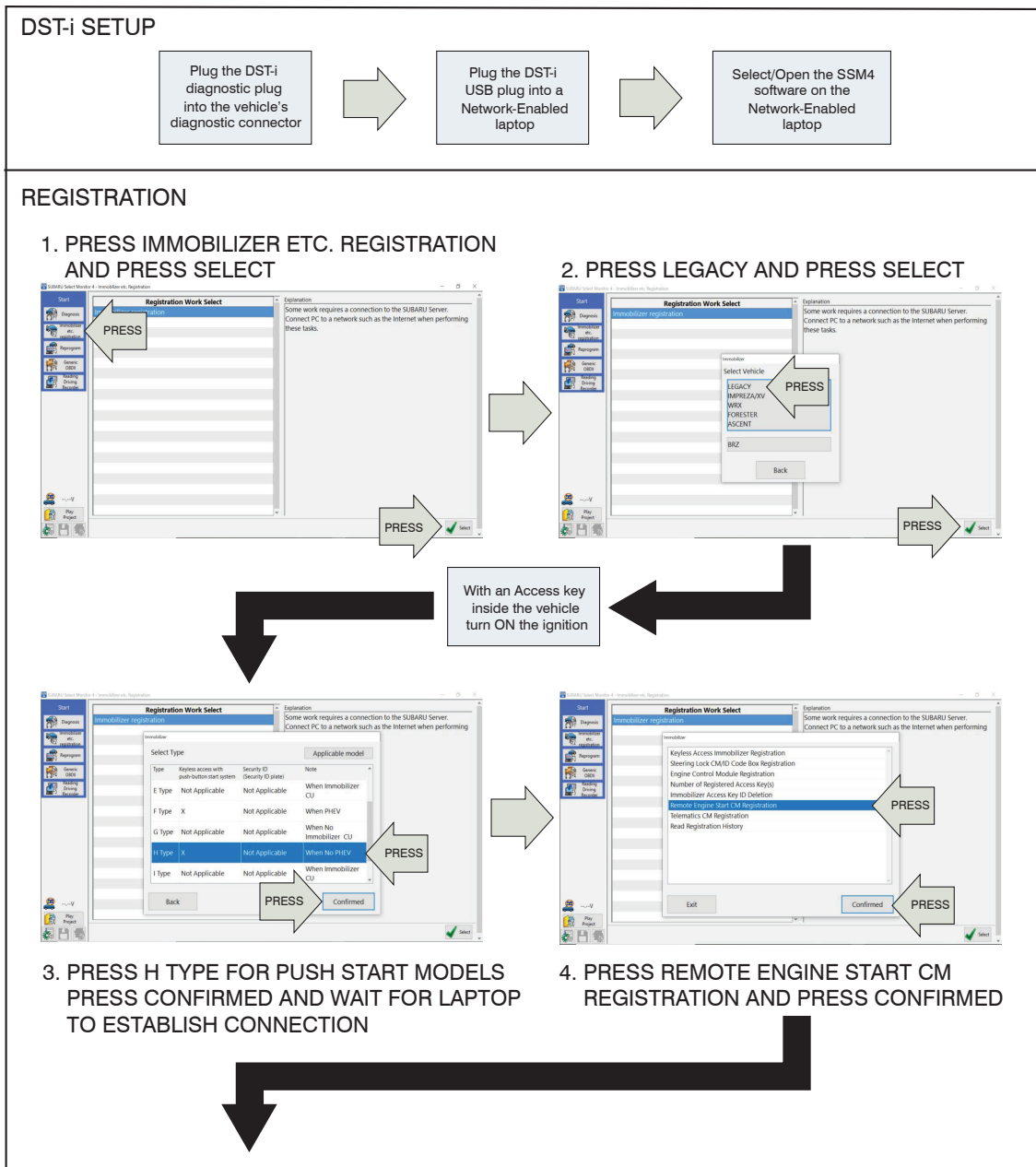
- Remove the release liner from the under hood warning label and secure to the top of the air intake plenum, as shown. (FIGURE U)



10 SYSTEM POWER-UP

1. After all the connections are complete, re-connect the vehicle's negative battery cable. Using a 10mm socket/ torque wrench, tighten the 10mm nut to 7.5 Nm +/- 2 Nm (0.76 Kgf-m +/- 0.2 Kgf-m, 5.5 ft-lbs +/- 1.5 ft-lbs).
2. Start the vehicle at least one (1) time using the Access key prior to activating the remote engine start system. This is required to allow the vehicle's electronic systems to re-synchronize.
3. With the vehicle running via the Access key, verify that the instrument cluster airbag light turns off. If the airbag light remains on, refer to the vehicle service information for troubleshooting.
4. Refer to the vehicle Owner's manual for the Power Window Reset Procedure to restore the power window functions.

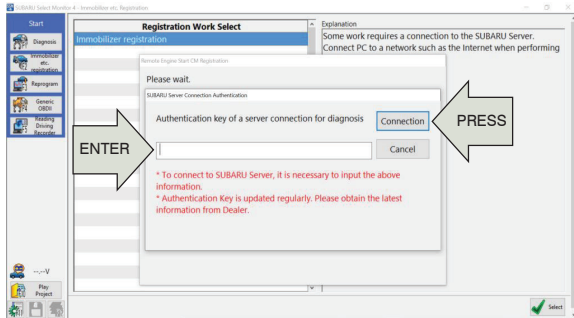
11 SYSTEM REGISTRATION ENSURE SOFTWARE VERSION IS REVISION 18.1.1 OR NEWER (JULY 2019 UPDATE)



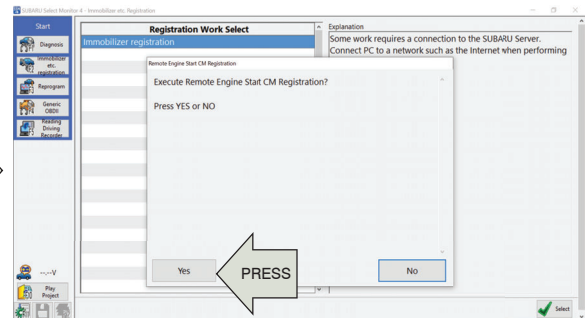
11 SYSTEM REGISTRATION, continued

REGISTRATION, continued

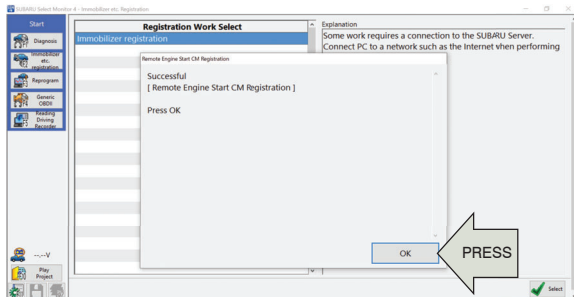
5. ENTER AUTHENTICATION KEY AND PRESS CONNECTION



6. PRESS YES TO EXECUTE REGISTRATION



WAIT FOR BIU TO COMMUNICATE WITH RES CONTROL MODULE



Registration Complete

7. REGISTRATION SUCCESSFUL, PRESS OK

12 POST INSTALLATION CHECKLIST

1. REMOTE ENGINE START- Ensure the Access key is removed from the vehicle, the engine hood, all doors and trunk are closed. Press the START button on the remote start transmitter two (2) times within three (3) seconds. The vehicle's parking lights should flash and the vehicle's horn should honk one (1) time and then the vehicle should crank and start. Once started, the transmitter LED will flash two (2) times and the parking lights will turn on and stay on signifying the vehicle is running. The transmitter LED will flash one (1) time every three (3) seconds signifying the vehicle is still running.

NOTE: If the vehicle does NOT respond to the remote start transmitters, proceed to SECTION 13 for the TRANSMITTER PROGRAMMING procedure.



2. CUSTOMER TAKE OVER - While the vehicle is running by the remote engine start, wait at least five (5) seconds and then confirm that all functions (lock, unlock & trunk, but not panic) operate properly on the Access key (FACTORY transmitter). Once the Access key functionality is confirmed, press the UNLOCK button on the Access key, open the driver's door and enter the vehicle with the Access key. Press and hold the brake pedal, press the ENGINE START/STOP button on the dashboard one (1) time and move the shift position lever from the "P" position to the "D" position and back to the "P" position. The remote engine start should shut down and the transmitter LED should flash three (3) times indicating the system has shut down, but the engine should remain running. Press the ENGINE START/STOP button on the dashboard one (1) time to turn off the vehicle.
3. ACTIVATION WITH DOOR UNLOCKED - Ensure the Access key is removed from the vehicle, the engine hood, all doors and trunk are closed and the driver's door is unlocked. Press the START button on the remote start transmitter two (2) times within three (3) seconds. The vehicle's parking lights should flash and the vehicle's horn should honk six (6) times. The vehicle should not start with the driver's door unlocked.
4. ACTIVATION WITH DOOR OPEN - Ensure the Access key is removed from the vehicle and the engine hood and trunk are closed. Open the driver's door and press the START button on the remote start transmitter two (2) times within three (3) seconds. The vehicle's parking lights should flash and the vehicle's horn should honk six (6) times. The vehicle should not start with any door or trunk opened.
5. HOOD SAFETY SWITCH - Open the engine hood and activate the remote engine start. The vehicle's parking lights should flash and the vehicle's horn should honk two (2) times. The vehicle should not start when the hood safety switch is activated.
6. HEATER / AC FUNCTION - With the Access key inside the vehicle, press the ENGINE START/STOP button on the dashboard two (2) times to turn ON the ignition. Preset the vehicle's heater or air conditioning to the ON position. Press the ENGINE START/STOP button on the dashboard one (1) time to turn OFF the ignition and remove the Access key from the vehicle. Activate the remote engine start and verify that the heater or air conditioning turns on to the preset setting for manual climate controlled vehicles or turns to the "Full Auto" setting for electronic climate control vehicles.
7. 15 MINUTE RUN TIME - Activate the remote engine start and allow the system to run for the 15 minute preset run time. The remote engine start should shut down after 15 minutes (+/- 10 seconds).
8. TRANSMITTER FUNCTIONALITY VERIFICATION - Activate the remote engine start using both of the supplied single button remote start transmitters.

FUNCTIONAL TESTING IS NOW COMPLETE.

PART NUMBER H001SAN000	ISSUE 00	DATE 12 Sept 2019	SUBARU OF AMERICA	11 OF 12
---------------------------	-------------	----------------------	-------------------	----------

13

TRANSMITTER PROGRAMMING

1. Open the driver's door and enter the vehicle. The driver's door must remain open throughout the entire programming process. Ensure all other vehicle doors, the engine hood and trunk are closed.
2. Verify that the transmission shifter is in the "park" position.
3. Turn the ignition "ON" then "OFF", "ON" then "OFF", "ON" then "OFF", then back "ON" and leave on throughout the entire programming process. *(Turn ON the ignition by pressing the Engine Start/Stop button on the dashboard two (2) times with an Access Key inside the vehicle. Do not press the brake pedal or the engine will start.)* (ON/OFF ignition cycles must be completed within twenty (20) seconds.)
4. The system will flash the side marker lights, taillights and parking lights and honk the horn three (3) times indicating that the system has entered transmitter learn mode.
5. Press and hold the  button on the transmitter to be learned for three (3) seconds until the system flashes the side marker lights, taillights and parking lights and honks the horn one (1) time, indicating that the system has learned the transmitter. Release the  button. Upon successful programming, the remote start transmitter may flash/beep one (1) time.
6. Repeat step five (5) for additional transmitters. The system will accept up to eight (8) transmitters.
7. Turn the ignition OFF to exit transmitter learn mode.
8. Return to SECTION 12 to perform the POST INSTALLATION CHECKLIST.

NOTE: The system will exit the transmitter learn mode if the ignition is turned OFF, the driver's door is closed or thirty (30) seconds of inactivity.

PART NUMBER H001SAN000	ISSUE 00	DATE 12 Sept 2019	SUBARU OF AMERICA	12 OF 12
---------------------------	-------------	----------------------	-------------------	----------

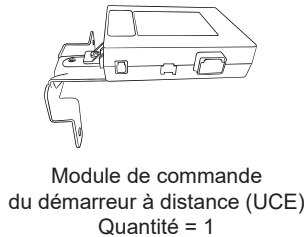


GENUINE PARTS
INSTRUCTIONS
D'INSTALLATION

NUMÉRO DE PIÈCE : H001SAN000

DESCRIPTION : SYSTÈME DE DÉMARRAGE À DISTANCE LONGUE PORTÉE À BOUTON-POUSSOIR LEGACY / OUTBACK

1 CONTENU DE LA TROUSSE

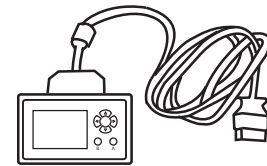
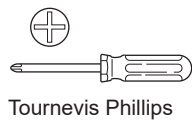


Ruban mousse de l'UCE
Quantité = 2



* Les éléments en extra dans la trousse sont des pièces de rechange. Suivez les instructions pour installer chaque pièce correctement.

2 OUTILS REQUIS



3 SIGNIFICATION DES SYMBOLES

- : Retirer
- : Installer
- : Déconnecter
- : Connecter
- : Emplacement de l'attache ou de la vis
- T** : Couple de serrage
- : Desserrer
- : Jeter
- : Réutiliser

MISE EN GARDE : N'ATTACHEZ JAMAIS LE FAISCEAU DU DÉMARREUR À DISTANCE À DES FAISCEAUX OU CONNECTEURS JAUNES (SYSTÈME DE COUSSINS GONFLABLES) DANS LE VÉHICULE.

NUMÉRO DE PIÈCE
H001SAN000

VERSION
00

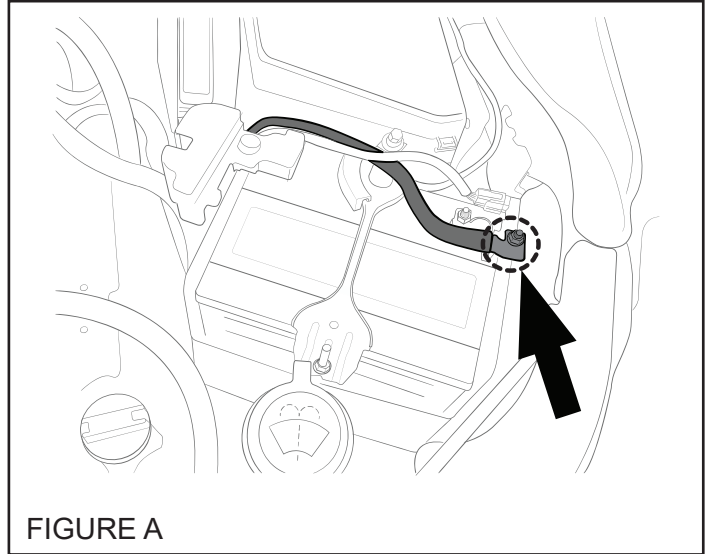
DATE
12 septembre 2019

SUBARU OF AMERICA

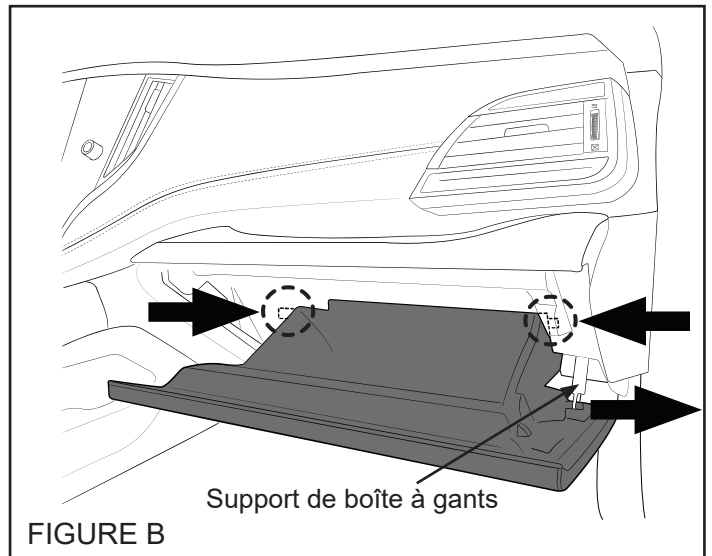
1 DE 12

4 PRÉPARATION DU VÉHICULE

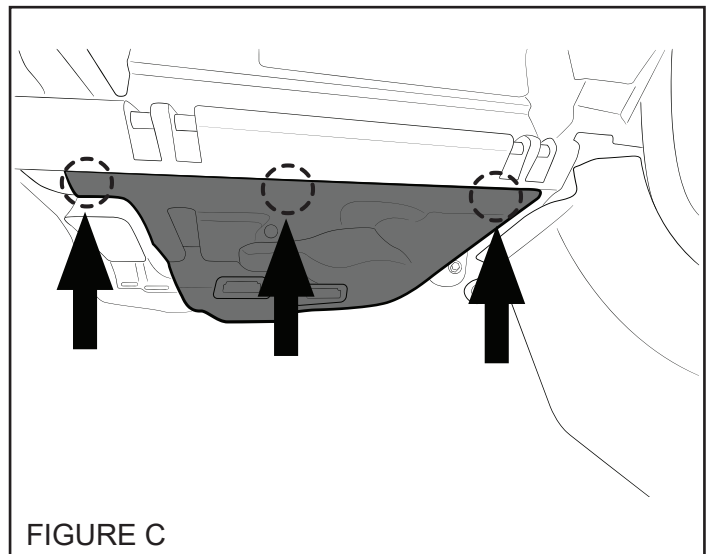
1. À l'aide d'une clé à rochet et d'une douille de 10 mm, déconnectez le câble négatif de la batterie. (FIGURE A)
REMARQUE : Ne débranchez pas la cosse de batterie de la borne de la batterie.



2. Ouvrez la boîte à gants et appuyez sur les côtés de la boîte pour libérer les languettes de retenue du protecteur intérieur de la boîte à gants. Dégagez le support pour retirer la boîte à gants. (FIGURE B)

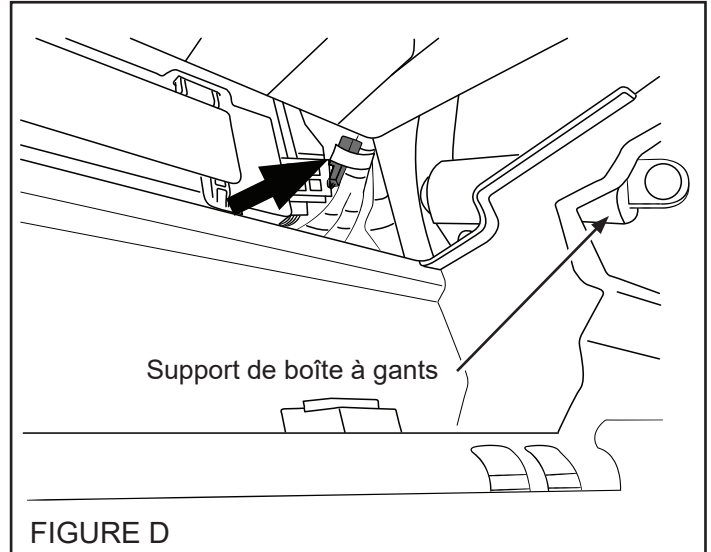


3. À l'aide d'un outil de dépose de panneau, appuyez délicatement sur le bas pour dégager trois (3) attaches à pression pour retirer le panneau de finition sous le tableau de bord du côté passager. (FIGURE C)

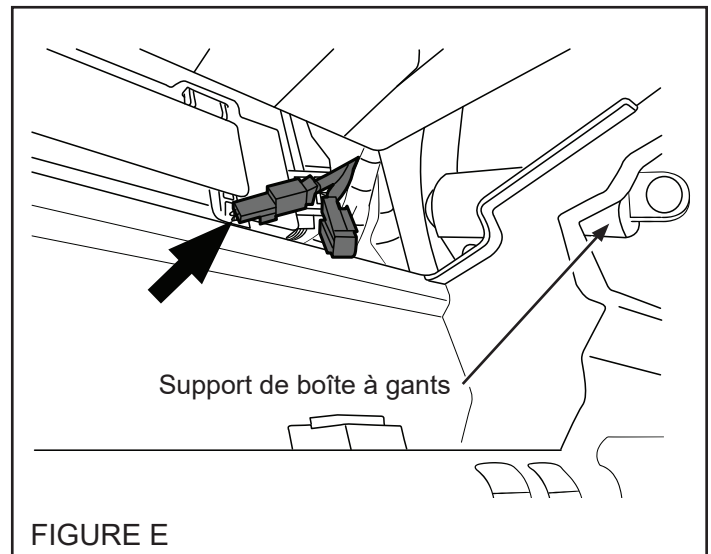


5 CONNEXION PRÉMONTÉE DE COUPURE D'ALIMENTATION DU LÈVE-GLACE

1. Repérez et dégagez les connecteurs prémontés à 2 broches du circuit de coupure du lève-glace fixés au faisceau de câblage du véhicule par du ruban détachable, près du côté supérieur droit de la boîte à gants côté passager. (FIGURE D)

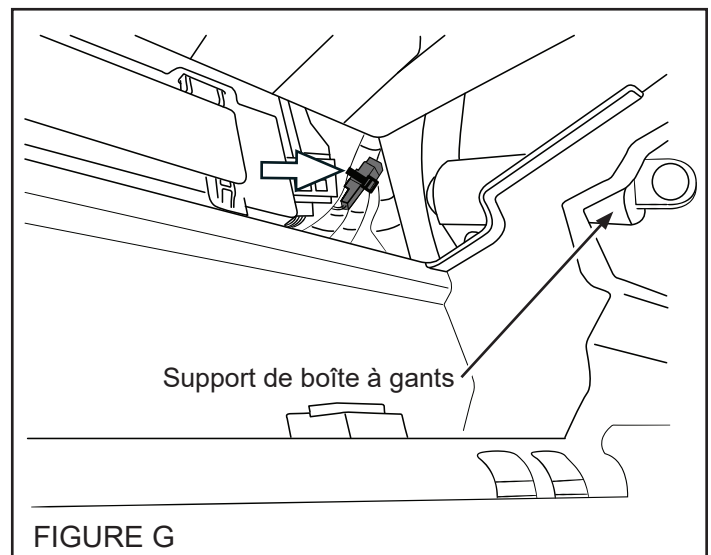
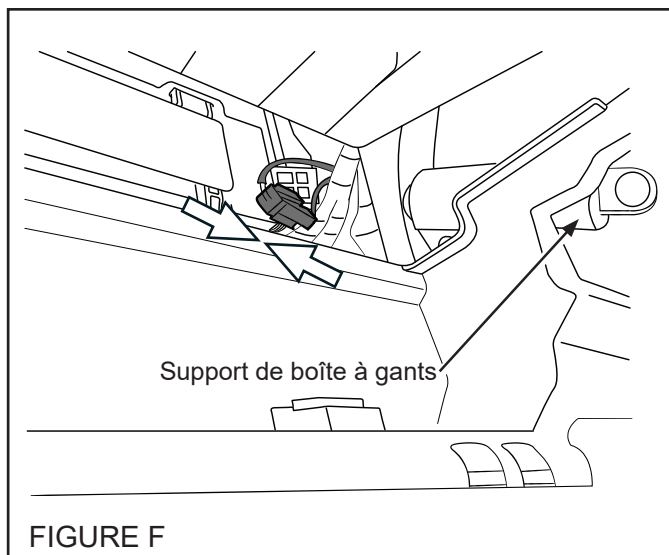


2. Une fois les connecteurs prémontés à 2 broches du circuit de coupure du lève-glace libérés du ruban détachable, débranchez le cavalier et connecteur homologué à 2 broches et mettez-le au rebut. (FIGURE E)



3. Branchez les connecteurs prémontés à 2 broches du circuit de coupure du lève-glace pour fermer le circuit. (FIGURE F)

4. Fixez les connecteurs prémontés à 2 broches du circuit de coupure du lève-glace au faisceau de câblage du véhicule au moyen d'une (1) attache de 39 cm fournie. Coupez l'excédent des attaches. (FIGURE G)



6

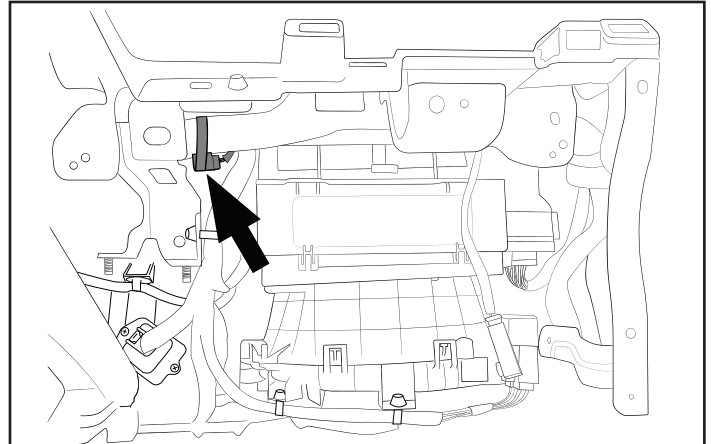
CONNEXION PRÉMONTÉE DU FAISCEAU CAVALIER / MONTAGE DE L'ECU RES VÉHICULES NON ÉQUIPÉS DU SYSTÈME AUDIO HARMAN/KARDON

IMPORTANT! CETTE SECTION S'APPLIQUE UNIQUEMENT AUX VÉHICULES QUI NE SONT PAS ÉQUIPÉS D'UN SYSTÈME AUDIO HARMAN/KARDON. POUR LES VÉHICULES ÉQUIPÉS D'UN SYSTÈME AUDIO HARMAN/KARDON, SAUTEZ CETTE SECTION ET PASSEZ À LA SECTION 7.

1. Repérez et dégagez le connecteur de faisceau prémonté à 12 broches fixé au faisceau de câblage du véhicule par du ruban détachable, près du côté supérieur gauche de la boîte à gants côté passager. (FIGURE H)

2. Une fois le connecteur de faisceau prémonté à 12 broches du véhicule libéré du ruban détachable, acheminez le faisceau dans l'ouverture du protecteur intérieur de la boîte à gants. Branchez le connecteur de faisceau prémonté à 12 broches dans le connecteur à 12 broches du faisceau cavalier du démarreur à distance. (FIGURE I)

3. Réacheminez le faisceau du démarreur à distance dans et derrière le protecteur intérieur de la boîte à gants. Branchez le connecteur à 12 broches du faisceau cavalier du démarreur à distance dans la prise blanche à 12 broches de l'UCE du démarreur à distance. (FIGURE J)



**REMARQUE : Vue avec protecteur intérieur de boîte à gants retiré.
(Pour fins d'illustration seulement)**

FIGURE H

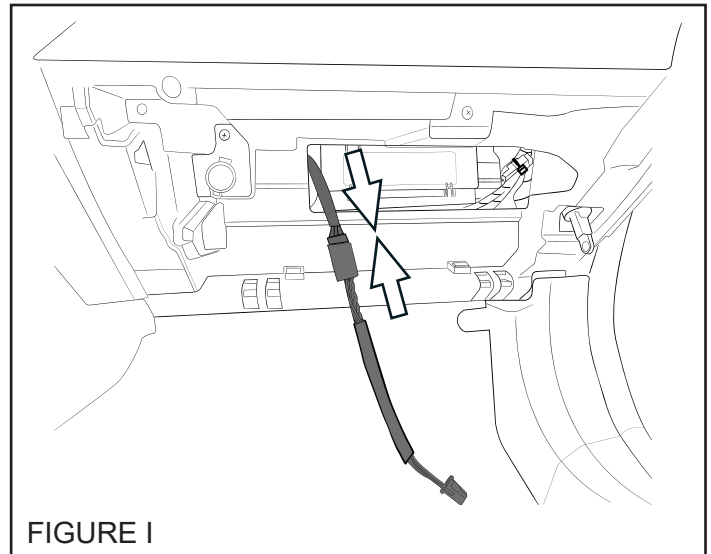


FIGURE I

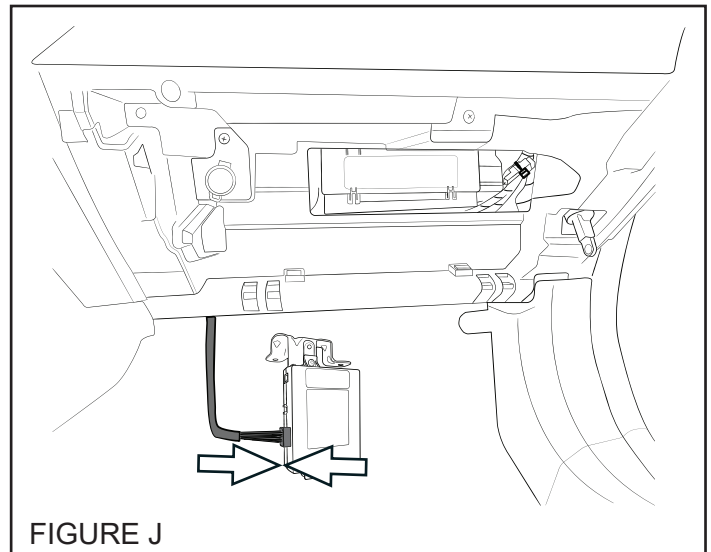
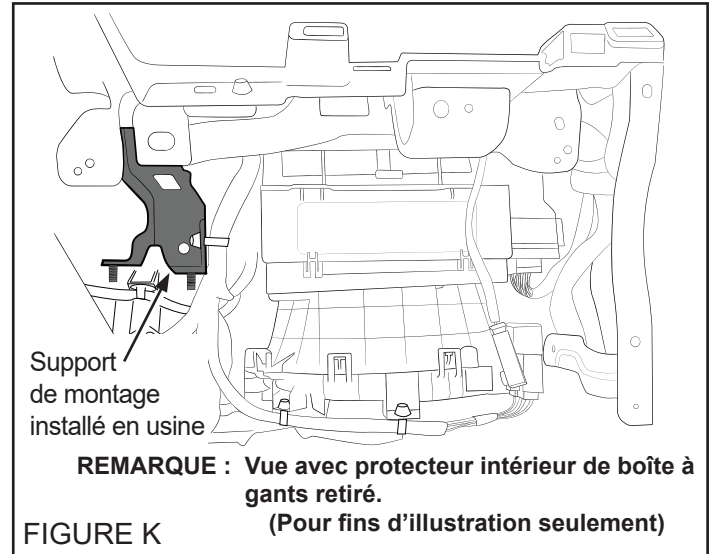


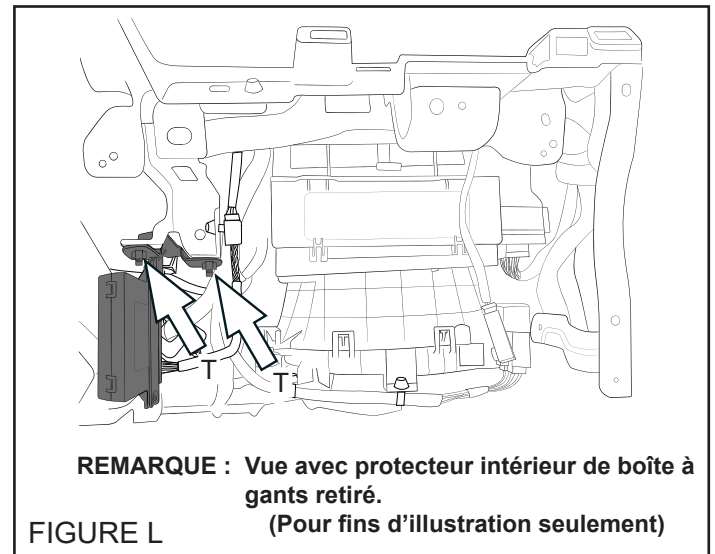
FIGURE J

6 CONNEXION PRÉMONTÉE DU FAISCEAU CAVALIER / MONTAGE DE L'ECU RES (suite) VÉHICULES NON ÉQUIPÉS DU SYSTÈME AUDIO HARMAN/KARDON

4. Repérez les goujons et le support de montage installés en usine près du côté supérieur gauche de la boîte à gants côté passager. (FIGURE K)



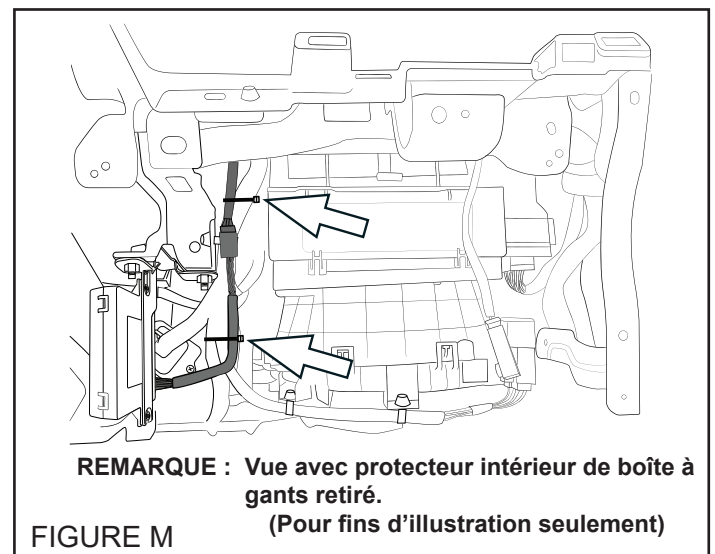
5. À l'aide des deux (2) écrous à embase hexagonale de 10 mm fournis, fixez le support et l'UCE de la télécommande de démarrage à distance aux goujons et au support installés en usine, comme illustré. (FIGURE L)



6. À l'aide de la clé à rochet et d'une douille de 10 mm, serrez les écrous de 10 mm à un couple de 7,5 +/- 2 Nm (0,76 +/- 0,2 kgf-m, 5,5 +/- 1,5 lb-pi).

REMARQUE : Assurez-vous que les connecteurs de l'UCE du démarreur à distance sont orientés vers l'avant, soit vers le tableau de bord du véhicule.

7. À l'aide de deux (2) attaches autobloquantes de 39 cm fournies, fixez le faisceau cavalier prémonté au faisceau de câblage du véhicule au-dessus et en dessous du connecteur de faisceau prémonté, comme illustré. Coupez l'excédent des attaches autobloquantes. (FIGURE M)



7

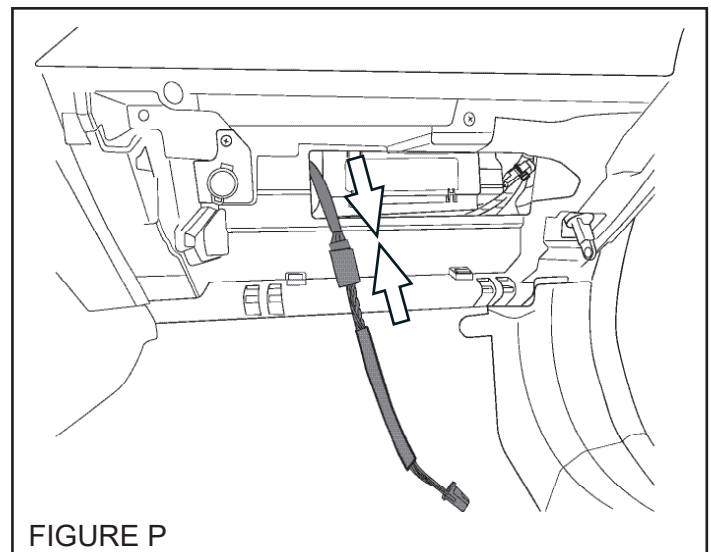
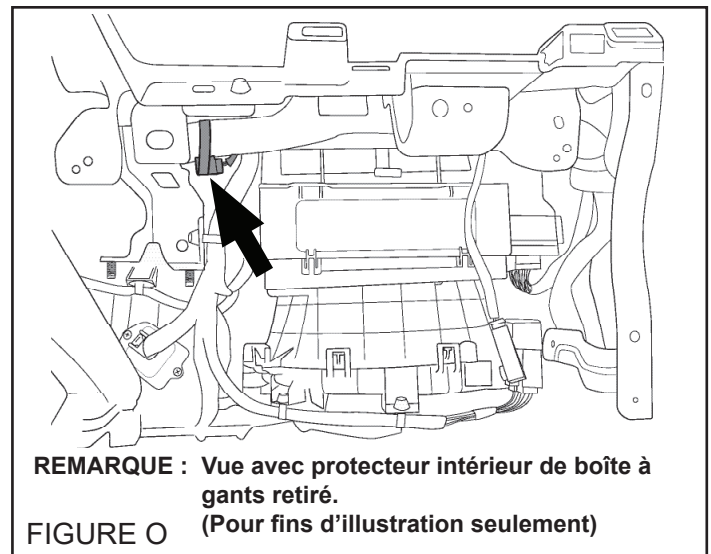
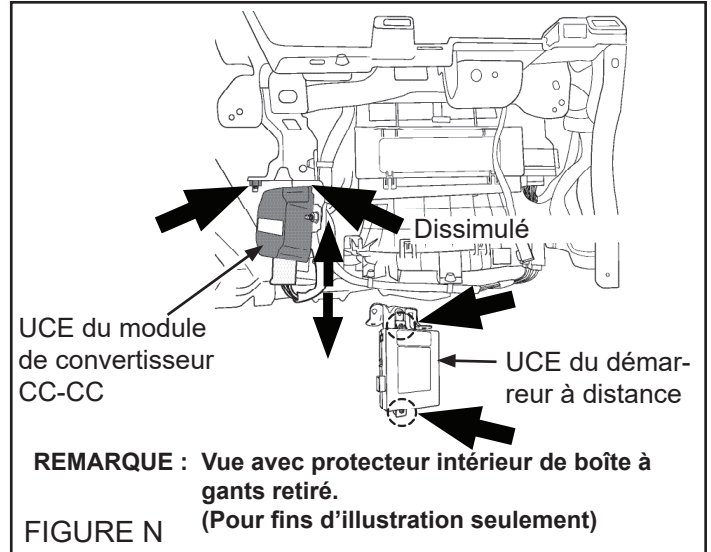
CONNEXION PRÉMONTÉE DU FAISCEAU CAVALIER / MONTAGE DE L'UCE RES VÉHICULES ÉQUIPÉS DU SYSTÈME AUDIO HARMAN/KARDON

IMPORTANT! CETTE SECTION S'APPLIQUE UNIQUEMENT AUX VÉHICULES QUI SONT ÉQUIPÉS D'UN SYSTÈME AUDIO HARMAN/KARDON. POUR LES VÉHICULES NON ÉQUIPÉS D'UN SYSTÈME AUDIO HARMAN/KARDON, SAUTEZ CETTE SECTION ET REVENEZ À LA SECTION 6.

1. Repérez le module de convertisseur CC-CC près du côté supérieur gauche de la boîte à gants côté passager et retirez l'UCE du démarreur à distance. A l'aide d'une douille et d'une clé à rochet de 10 mm, retirez les deux (2) écrous à embase hexagonale de 10 mm qui maintiennent le module de convertisseur CC-CC et retirez-le de son emplacement de montage. Débranchez les deux (2) connecteurs de faisceau du véhicule du module de convertisseur CC-CC. À l'aide d'un tournevis Phillips, retirez les deux (2) vis qui maintiennent l'UCE du démarreur à distance au support de montage, comme illustré. (FIGURE N)
REMARQUE : Le support de montage et les vis de l'UCE de démarrage à distance du moteur ne seront pas utilisés sur ce véhicule.

2. Repérez et dégagez le connecteur de faisceau prémonté à 12 broches fixé au faisceau de câblage du véhicule par du ruban détachable, près du côté supérieur gauche de la boîte à gants côté passager. (FIGURE O)

3. Une fois le connecteur de faisceau prémonté à 12 broches du véhicule libéré du ruban détachable, acheminez le faisceau dans l'ouverture du protecteur intérieur de la boîte à gants. Branchez le connecteur de faisceau prémonté à 12 broches dans le connecteur à 12 broches du faisceau cavalier du démarreur à distance. (FIGURE P)

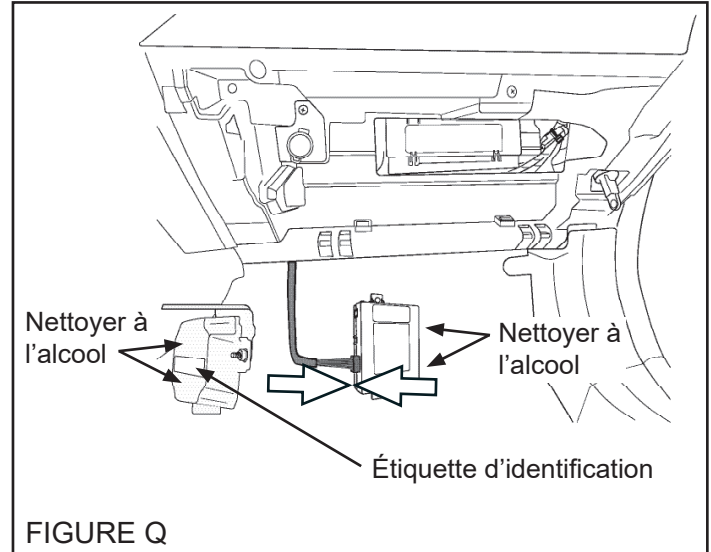


7 CONNEXION PRÉMONTÉE DU FAISCEAU CAVALIER / MONTAGE DE L'UCE RES (suite) VÉHICULES ÉQUIPÉS DU SYSTÈME AUDIO HARMAN/KARDON

4. Réacheminez le faisceau du démarreur à distance dans et derrière le protecteur intérieur de la boîte à gants. Branchez le connecteur à 12 broches du faisceau cavalier du démarreur à distance dans la prise blanche à 12 broches de l'UCE du démarreur à distance. (FIGURE Q)

5. Avec de l'alcool, nettoyez la surface du module de convertisseur CC-CC au-dessus et en dessous de l'étiquette d'identification et l'arrière de l'UCE du démarreur à distance, comme illustré. (FIGURE Q)

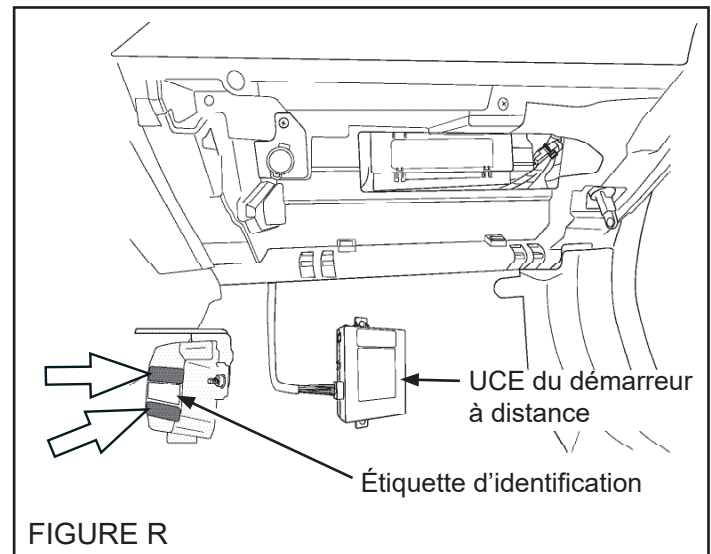
REMARQUE : Vérifiez que le module de convertisseur CC-CC et l'UCE du démarreur à distances sont bien secs.



6. Retirez les deux (2) pellicules de protection et fixez le ruban mousse double-face fourni sur la surface du module de convertisseur CC-CC au-dessus et en dessous de l'étiquette d'identification, comme illustré. Appuyez fermement sur le ruban mousse pendant au moins trente (30) secondes. (FIGURE R)

REMARQUE : Vérifiez que le ruban mousse ne couvre pas l'étiquette d'identification du module de convertisseur CC-CC.

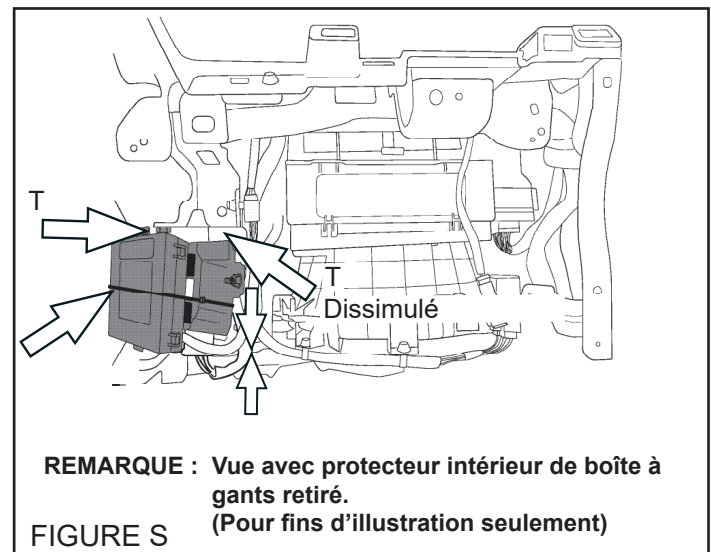
7. Retirez les deux (2) autres pellicules de protection du ruban mousse et fixez l'UCE du démarreur à distance, comme illustré. Assurez-vous que l'UCE affleure les **côtés supérieurs gauches** du module de convertisseur CC-CC sans entraver les deux (2) trous de montage du support. Appuyez fermement sur l'UCE pendant au moins trente (30) secondes. (FIGURE S)



8. Au moyen d'une (1) attache autobloquante de 39 cm fournie, assujettissez l'UCE du démarreur à distance au module de convertisseur CC-CC, comme illustré. Coupez l'excédent des attaches. Rebranchez les deux (2) connecteurs de faisceau du véhicule dans le module de convertisseur CC-CC. (FIGURE S)

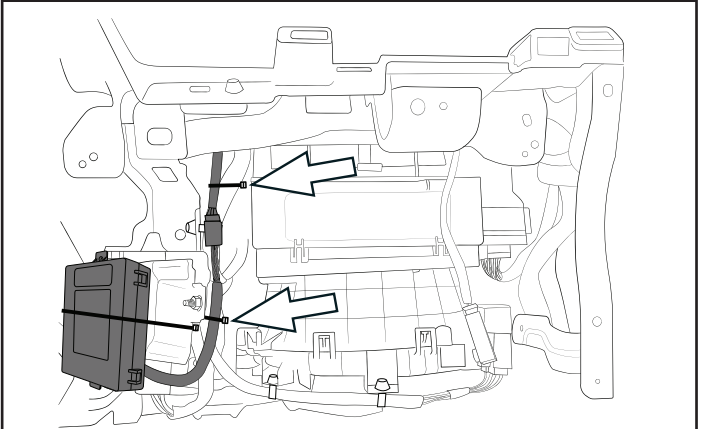
9. À l'aide des deux (2) écrous à embase hexagonale de 10 mm retirés précédemment, fixez le module de convertisseur CC-CC et l'ensemble d'UCE de démarreur à distance au support et aux goujons d'usine. (FIGURE S)

10. À l'aide d'une clé à rochet et d'une douille de 10 mm, serrez les écrous à embase hexagonale de 10 mm à un couple de 7,5 Nm +/- 2 Nm (0,76 Kgf-m +/- 0,2 Kgf-m, 5,5 lb-pi +/- 1,5 lb-pi).



7 CONNEXION PRÉMONTÉE DU FAISCEAU CAVALIER / MONTAGE DE L'UCE RES (suite) VÉHICULES ÉQUIPÉS DU SYSTÈME AUDIO HARMAN/KARDON

11. À l'aide de deux (2) des attaches autobloquantes de 39 cm fournies, fixez le faisceau cavalier prémonté au faisceau de câblage du véhicule au-dessus et en dessous du connecteur de faisceau prémonté, comme illustré. Coupez l'excédent des attaches autobloquantes. (FIGURE T)



REMARQUE : Vue avec protecteur intérieur de boîte à gants retiré.
(Pour fins d'illustration seulement)

FIGURE T

8 REMONTAGE DU PANNEAU

1. Réinstallez le panneau de finition sous le tableau de bord du côté passager en engageant les trois (3) attaches à pression.
2. Installez la boîte à gants et le support.
3. À la fin de l'installation, glissez les cartes de référence rapide dans le dossier du propriétaire.

9 ÉTIQUETTE DE MISE EN GARDE DU COMPARTIMENT MOTEUR

1. Avec de l'alcool, nettoyez la partie supérieure de la chambre d'admission d'air à proximité du support de faisceau de radiateur.

REMARQUE : Assurez-vous que la chambre d'admission d'air est complètement sèche.

2. Retirez l'endos adhésif de l'étiquette de mise en garde du compartiment moteur et collez-la sur le haut de la chambre d'admission d'air, comme illustré. (FIGURE U)

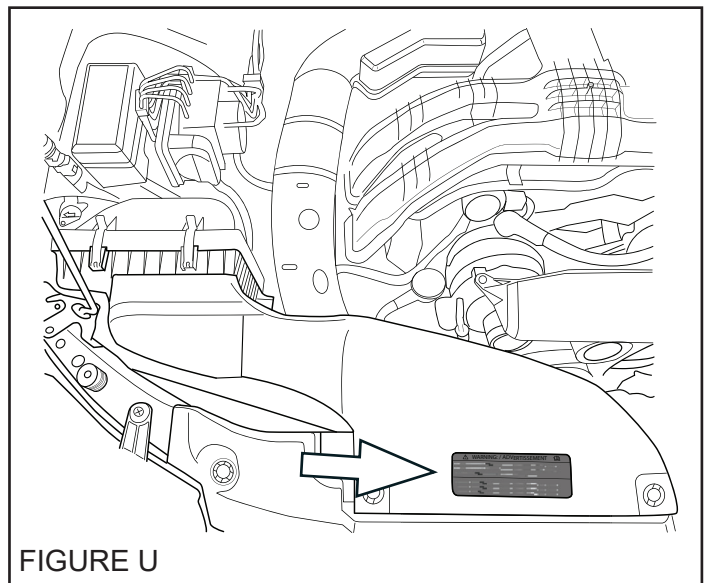
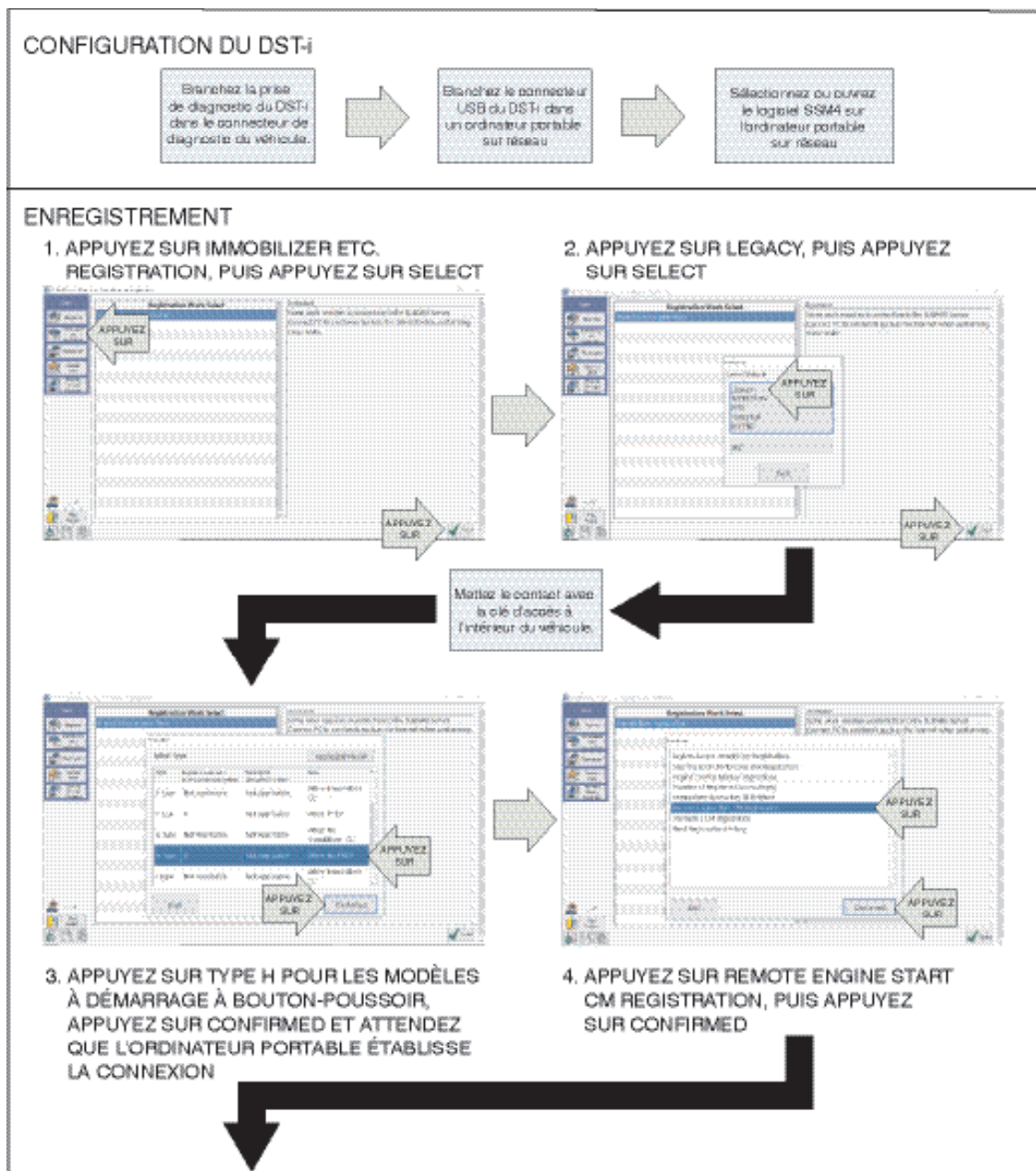


FIGURE U

10 DÉMARRAGE DU SYSTÈME

1. Une fois toutes les connexions terminées, rebranchez le câble négatif de la batterie du véhicule. À l'aide de la clé à rochet et d'une douille de 10 mm, serrez l'écrou de 10 mm au couple de 7,5 +/- 2 Nm (0,76 +/- 0,2 kgf-m, 5,5 +/- 1,5 lb-pi).
2. Faites démarrer le véhicule au moins une (1) fois avec la clé d'accès avant d'essayer le système de démarrage à distance. Cette précaution est nécessaire pour permettre aux systèmes électroniques du véhicule de se resynchroniser.
3. Pendant que le moteur est en marche avec la clé d'accès, vérifiez si le témoin de coussin gonflable du tableau de bord s'éteint. Si le témoin de coussin gonflable reste allumé, reportez-vous à l'information de service après-vente du véhicule pour avoir des précisions sur le dépannage.
4. Pour restaurer les fonctions des glaces électriques, consultez la procédure de réinitialisation des glaces à commande électrique dans le manuel du propriétaire du véhicule.

11 ENREGISTREMENT DU SYSTÈME ASSUREZ-VOUS QUE LA RÉVISION DU LOGICIEL EST 18.1.1 OU PLUS RÉCENTE (MISE À JOUR JUILLET 2019)



ENREGISTREMENT, suite

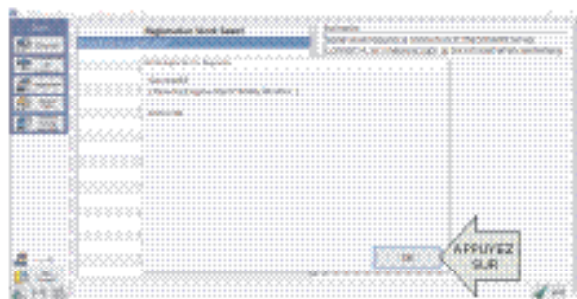
5. ENTREZ LA CLÉ D'AUTHENTIFICATION,
PUIS APPUYEZ SUR CONNECTION



6. APPUYEZ SUR YES POUR EXÉCUTER
L'ENREGISTREMENT



ATTENDEZ QUE LE BIU COMMUNIQUE
AVEC LE MODULE DE COMMANDE FEB



L'enregistrement
est terminé

7. ENREGISTREMENT RÉUSSI,
APPUYEZ SUR OK



1. DÉMARRAGE À DISTANCE – Assurez-vous que la clé d'accès est retirée du véhicule et que le capot ainsi que toutes les portes sont fermés, y compris le coffre. Appuyez sur le bouton START de la télécommande de démarrage à distance deux (2) fois en trois (3) secondes. Les feux de stationnement du véhicule doivent clignoter et l'avertisseur doit retentir une (1) fois, puis le véhicule doit démarrer. Une fois que le véhicule a démarré, le témoin à DEL de la télécommande clignote deux (2) fois et les feux de stationnement s'allument, ce qui indique que le moteur tourne. Le témoin à DEL de la télécommande clignote une (1) fois toutes les trois (3) secondes, ce qui indique que le moteur tourne toujours.

REMARQUE : Si le véhicule ne répond PAS aux émetteurs de démarrage à distance, passez à la SECTION 13 pour la procédure de PROGRAMMATION DE L'EMETTEUR.

2. PRISE DE COMMANDE PAR LE CONDUCTEUR – Pendant que le moteur est en marche après un démarrage à distance, attendez au moins cinq (5) secondes, puis vérifiez la bonne marche de toutes les fonctions (verrouillage, déverrouillage, coffre, sauf le bouton d'alarme) sur la clé d'accès (télécommande D'ORIGINE). Après avoir vérifié le bon fonctionnement de la clé d'accès, appuyez sur le bouton de DÉVERROUILLAGE de la clé d'accès, ouvrez la porte du conducteur et entrez dans le véhicule avec la clé d'accès. Appuyez sur la pédale de frein et maintenez-la enfoncée, appuyez une (1) fois sur le bouton de démarrage et d'arrêt du moteur sur le tableau de bord, puis déplacez le levier de vitesse de la position « P » à la position « D » et de nouveau à la position « P ». Le démarreur à distance doit s'arrêter et le témoin à DEL de la télécommande doit clignoter trois (3) fois pour indiquer l'arrêt du système, mais le moteur doit continuer de tourner. Appuyez une (1) fois sur le bouton de démarrage et d'arrêt du moteur sur le tableau de bord pour arrêter le véhicule.
3. ACTIVATION AVEC PORTE DÉVERROUILLÉE – Assurez-vous que la clé d'accès est retirée du véhicule, puis que le capot, toutes les portes et le coffre sont fermés et que la porte du conducteur est déverrouillée. Appuyez sur le bouton START de la télécommande de démarrage à distance deux (2) fois en trois (3) secondes. Les feux de stationnement du véhicule doivent clignoter et l'avertisseur doit retentir six (6) fois. Le véhicule ne doit pas démarrer si la porte du conducteur est déverrouillée.
4. ACTIVATION AVEC PORTE OUVERTE – Assurez-vous que la clé d'accès est retirée du véhicule et que le capot et le couvercle du coffre sont fermés. Ouvrez la porte du conducteur et appuyez sur le bouton START de la télécommande de démarrage à distance deux (2) fois en trois (3) secondes. Les feux de stationnement du véhicule doivent clignoter et l'avertisseur doit retentir six (6) fois. Le moteur ne doit pas démarrer si l'une des portes ou le coffre est ouvert.
5. CONTACTEUR DE SÉCURITÉ DU CAPOT – Ouvrez le capot et activez le démarrage à distance. Les feux de stationnement du véhicule doivent clignoter et l'avertisseur doit retentir deux (2) fois. Le véhicule ne doit pas démarrer quand le contacteur de sécurité du capot est activé.
6. FONCTIONNEMENT DU SYSTÈME DE CHAUFFAGE/CLIMATISATION – Avec la clé d'accès à l'intérieur du véhicule, appuyez deux (2) fois sur le bouton de démarrage et d'arrêt du moteur sur le tableau de bord pour mettre le contact. Mettez en marche le chauffage ou la climatisation. Appuyez une (1) fois sur le bouton de démarrage et d'arrêt du moteur sur le tableau de bord pour couper le contact, puis retirez la clé d'accès du véhicule. Activez le démarreur à distance et vérifiez si le chauffage ou la climatisation se met en marche au réglage choisi avant la coupure du contact, s'il s'agit d'un système CVC manuel, ou au réglage maximum automatique, s'il s'agit d'un système CVC électronique.
7. DURÉE MAXIMALE DE FONCTIONNEMENT DE 15 MINUTES – Activez le démarrage à distance et laissez le moteur tourner pendant 15 minutes. Le démarreur à distance devrait arrêter le moteur après 15 minutes (+/- 10 secondes).
8. VÉRIFICATION DU FONCTIONNEMENT DE LA TÉLÉCOMMANDE – Activez le système de démarrage à distance tour à tour avec les deux télécommandes de démarrage à distance à un bouton fournies.

L'ESSAI DE FONCTIONNEMENT EST MAINTENANT TERMINÉ.

13 PROGRAMMATION DE L'ÉMETTEUR

1. Ouvrez la porte du conducteur et entrez dans le véhicule. La porte du conducteur doit rester ouverte tout au long du processus de programmation. Assurez-vous que toutes les autres portes du véhicule, le capot du moteur et le coffre sont fermés.
2. Vérifiez que le sélecteur de vitesses est en position de stationnement.
3. Mettez le contacteur sur «ON» puis «OFF», «ON» puis «OFF», «ON» puis «OFF», puis rétablissez «ON» et laissez allumé tout au long du processus de programmation. (Mettez le contact en appuyant sur le bouton de démarrage / arrêt du moteur sur le tableau de bord deux (2) fois avec une clé d'accès à l'intérieur du véhicule. N'appuyez pas sur la pédale de frein, le moteur ne démarrera pas.) (Les cycles d'allumage ON / OFF doivent être terminés dans les vingt (20) secondes.)
4. Le système clignotera les feux de position latéraux, les feux arrière et les feux de stationnement et émettra un klaxon trois (3) fois pour indiquer que le système est entré en mode d'apprentissage de l'émetteur.
5. Appuyez sur le  bouton de l'émetteur et maintenez-le enfoncé pendant trois (3) secondes, le temps que le système clignote feux de position latéraux, feux arrière et feux de stationnement et klaxon une (1) fois pour indiquer que le système a appris l'émetteur. Relâchez le  bouton. En cas de programmation réussie, l'émetteur de démarrage à distance peut clignoter / bip une (1) fois.
6. Répétez l'étape cinq (5) pour d'autres émetteurs. Le système acceptera jusqu'à huit (8) émetteurs.
7. Coupez le contact pour quitter le mode apprentissage de l'émetteur.
8. Retournez à la SECTION 12 pour effectuer la LISTE DE CONTRÔLE APRÈS INSTALLATION.

REMARQUE : Le système quittera le mode d'apprentissage du transmetteur si le contact est coupé, si la porte du conducteur est fermée ou après trente (30) secondes d'inactivité.