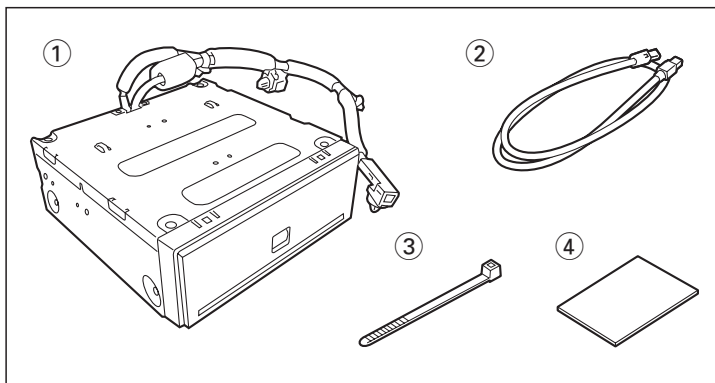
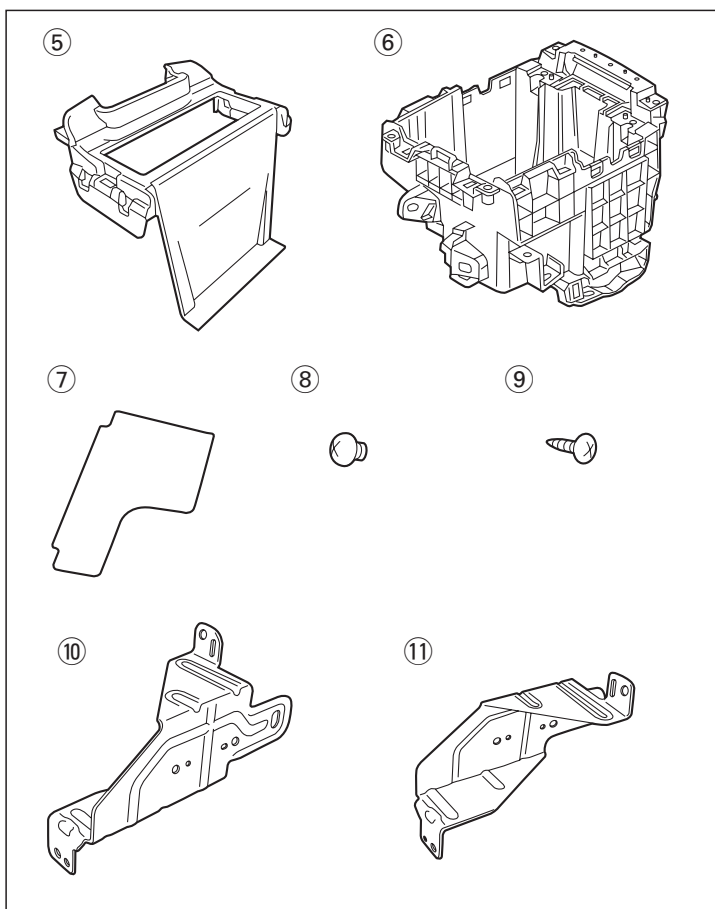



SUBARU
CD PLAYER INSTALLATION INSTRUCTION

Applicable model	Genuine component number
WRX(6MT) 2022MY~	H0010VC780
WRX(CVT) 2022MY~	H0010VC770

COMPONENTS **6MT**
●CD PLAYER 6MT H0010VC760


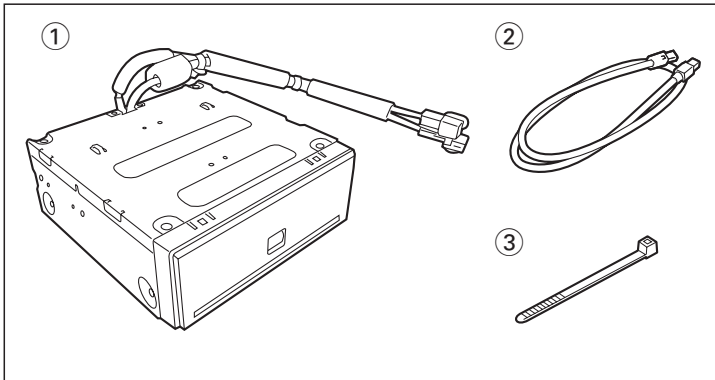
No.	Name	Qty
①	CD PLAYER	1
②	Relay harness	1
③	Cable tie	10
④	Urethane sheet	2

●FITTING KIT 6MT H0010VC710


No.	Name	Qty
⑤	Panel deck	1
⑥	Pocket (for deck)	1
⑦	Mat	1
⑧	Truss screws (M5x6)	4
⑨	Screws (M5x16)	6
⑩	Bracket RH	1
⑪	Bracket LH	1

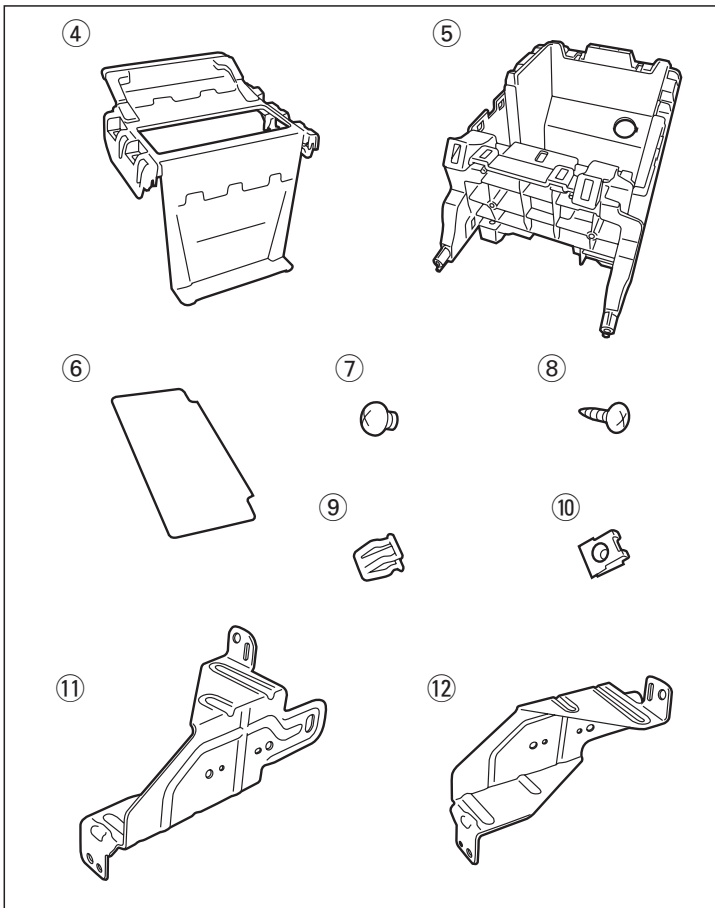
COMPONENTS **CVT**

●CD PLAYER CVT H0010VC750



No.	Name	Qty
①	CD PLAYER	1
②	Relay harness	1
③	Cable tie	10

●FITTING KIT CVT H0010VC700



No.	Name	Qty
④	Panel deck	1
⑤	Pocket (for deck)	1
⑥	Mat	1
⑦	Truss screws (M5x6)	4
⑧	Screws (M5x16)	4
⑨	Plastic clips	6
⑩	Spring nuts	4
⑪	Bracket RH	1
⑫	Bracket LH	1

TOOLS USED

Philips screwdriver, Flathead screwdriver, Clip remover, Trim removal tool, Nose pliers, Nipper, Cutter knife, Plastic tape, Curing tape

PRECAUTIONS

- Please refer to the precautions below before you begin work, in order to install the product safely and accurately. Please also refer to the vehicle Service manual.
- This manual shows typical installation procedures on LHD vehicle. Installation will be mirror image for RHD vehicles.



ATTENTION

	<ul style="list-style-type: none"> • Please disconnect the battery cable while conducting wiring operations. Failure to do so may result in electrical shock or injury.
	<ul style="list-style-type: none"> • Please confirm that the electrical components of the vehicle operate normally. Also, please make a note of data in the memory of the electrical components such as the radio. This will help avoid problems that may arise when performing the repair check after the installation.
	<ul style="list-style-type: none"> • When tightening bolts or screws, use the proper tools and the proper size, and comply for the specified torque specified for the part. Failure to securely tighten the bolt and nut may cause them to loosen and fall off, causing damage.
	<ul style="list-style-type: none"> • When removing the connector from the vehicle, remember to remove the lock that holds the main body of the connector, instead of pulling the lead line. This protects against a lead wire cuts, etc.
	<ul style="list-style-type: none"> • Please be sure to properly connect the connector and terminal. This helps to avoid a poor connection.
	<ul style="list-style-type: none"> • When wiring the harness(wiring), clamp the wires together along with the wiring harness of the vehicle. This protects the harness from becoming entangled or causing strange sounds.
	<ul style="list-style-type: none"> • When connecting or disconnecting parts or installing or removing the finisher, etc, be careful not to let the harness be hooked or pulled from the back. This protects against a cut wire or shorts.
	<ul style="list-style-type: none"> • Be careful not to forcefully pull the wiring harness of the vehicle. This helps prevent the connector from being disconnected, and the wires from being cut or damaged.
	<ul style="list-style-type: none"> • After installing the wiring, perform an operations check on the newly installed parts before reassembling. This helps prevent mis-wiring.

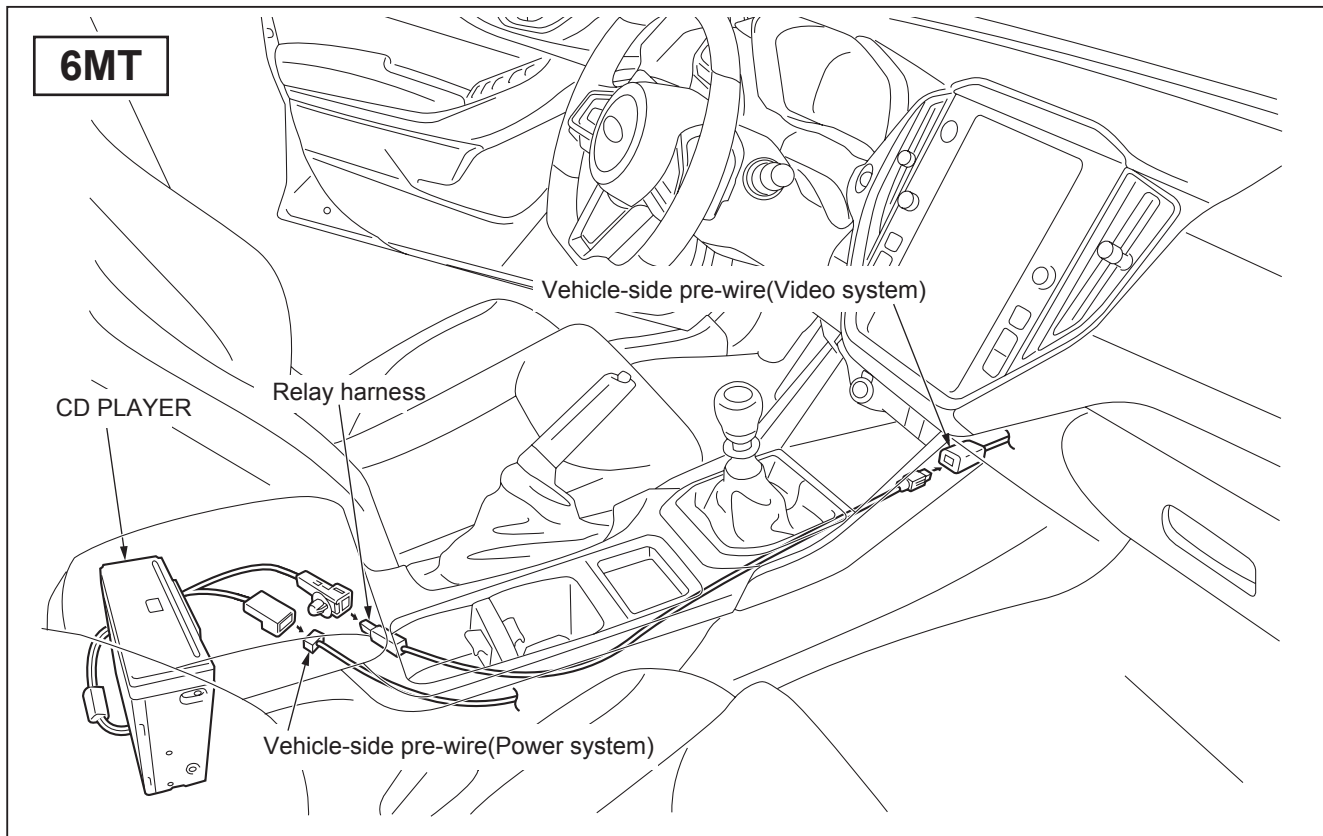
WRX

⚠ WARNING

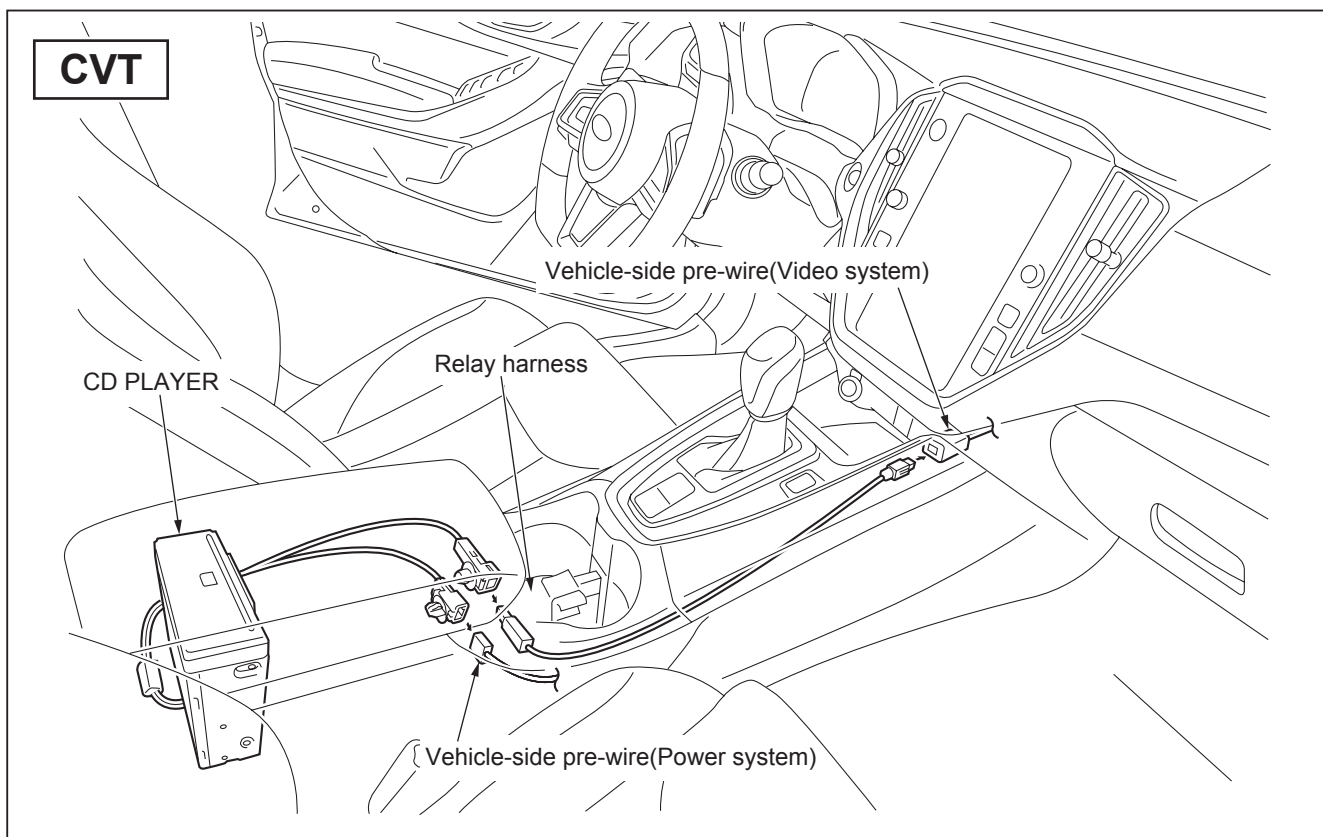
To prevent any accident during work, make sure to disconnect the negative (-) terminal of the battery according to the latest service manual.

INSTALLATION OVERVIEW

6MT



CVT

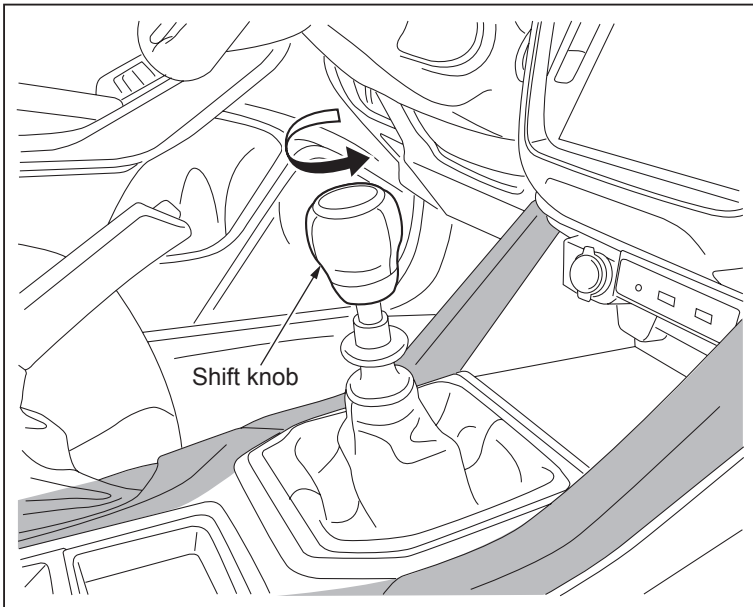


REMOVING THE VEHICLE COMPONENTS

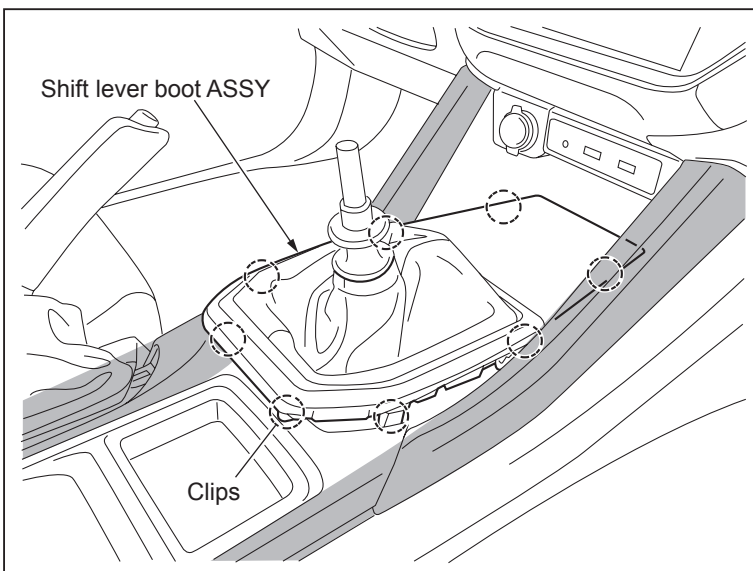
NOTE

Affix curing tape to the shaded parts (■) in the figure to protect the vehicle.

6MT

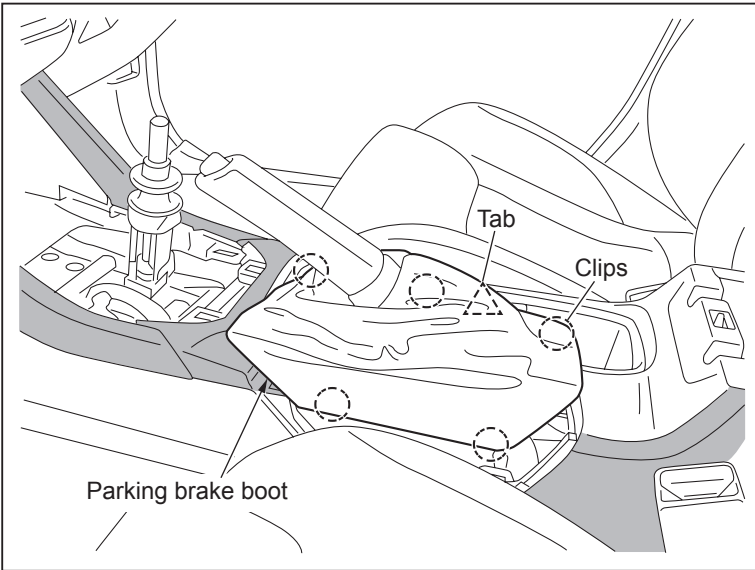


- (1) Rotate the shift knob in the direction of the arrow to remove it.

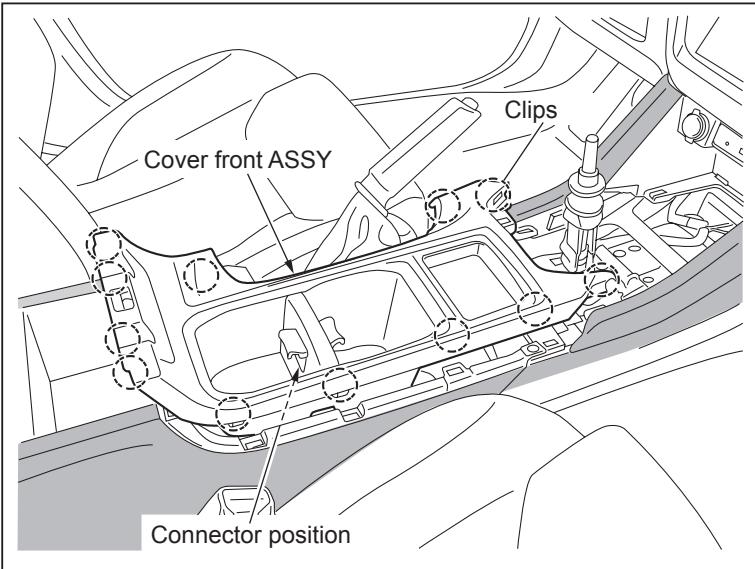


- (2) Remove the shift lever boot ASSY.
(Clips: 8 points)

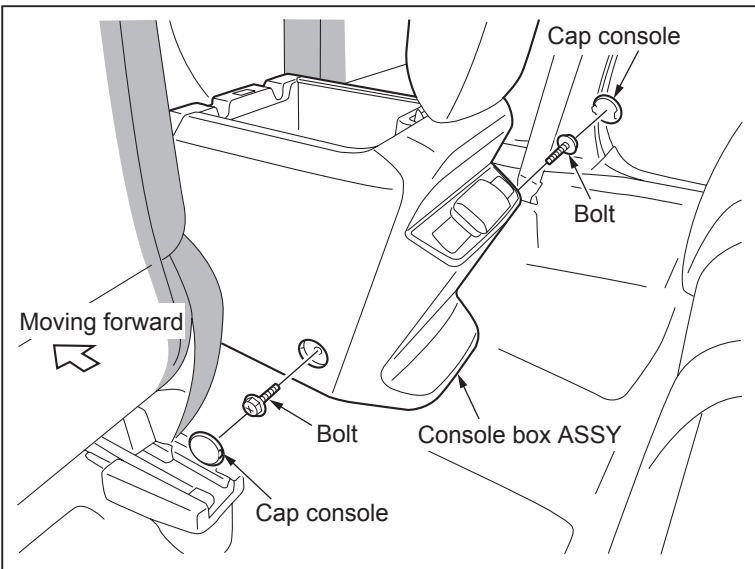
6MT



- (3) Remove the parking brake boot.
(Clips: 5 points, Tab: 1 point)

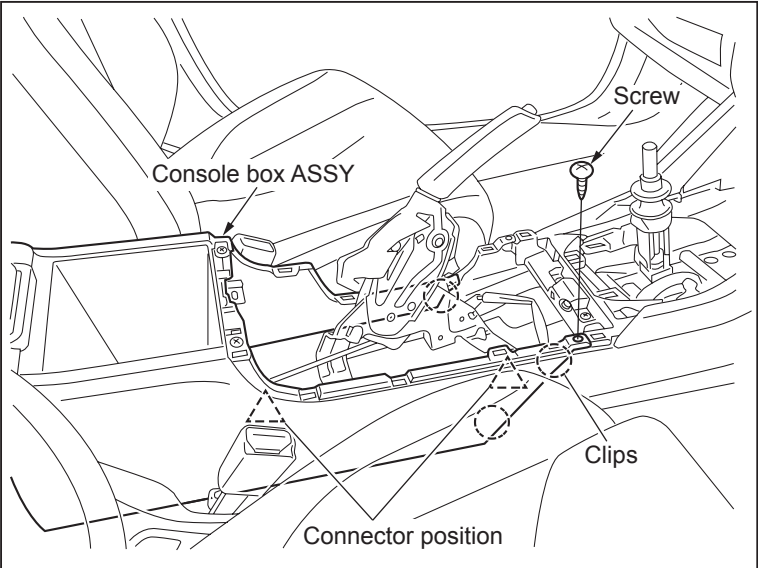


- (4) Remove the cover front ASSY.
(Clips: 12 points)

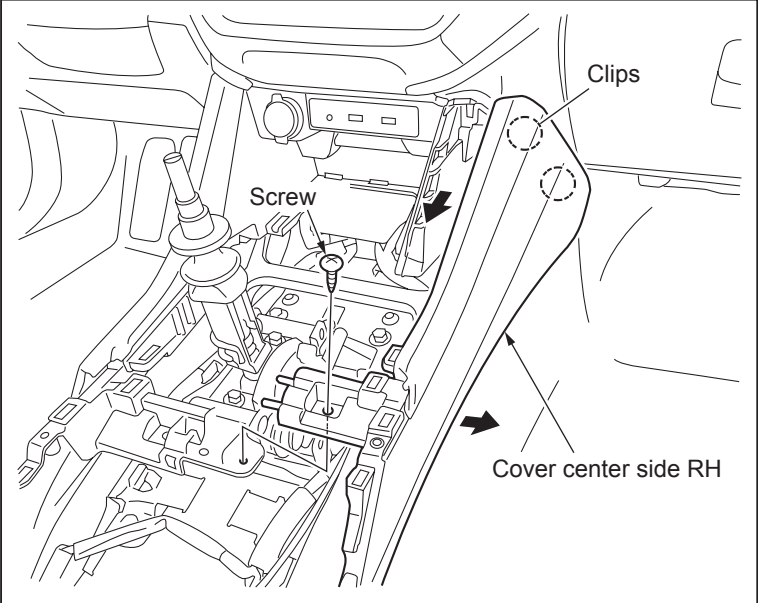


- (5) Remove the two cap consoles.
- (6) Remove the two bolts.

6MT



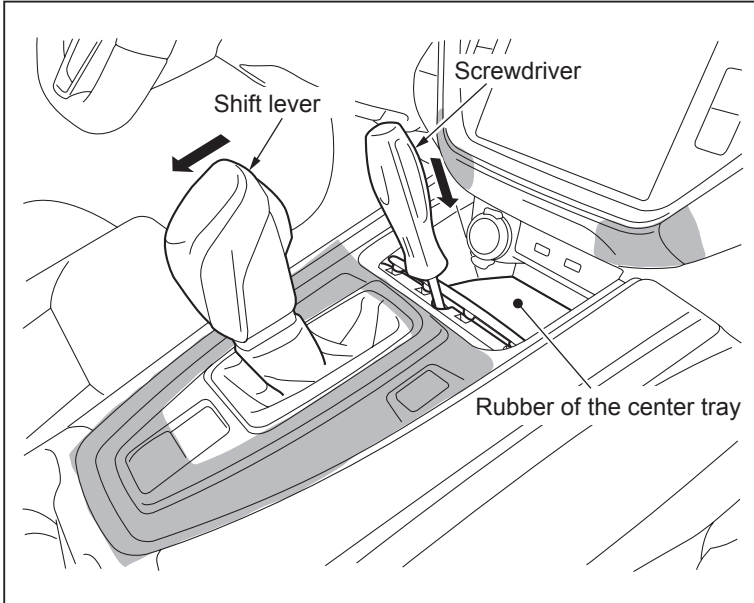
(7) Remove the screw, disconnect each connector, and remove the console box ASSY.
(Clips: 3 points)



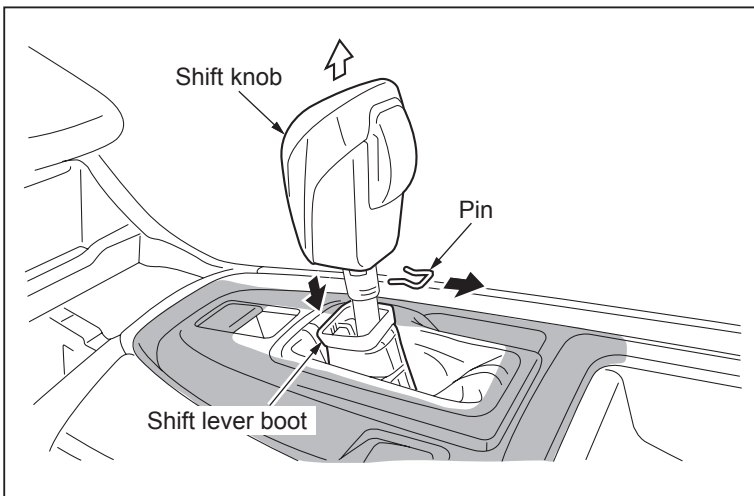
(8) Remove the screw, and then remove the cover center side RH.
(Clips: 2 points)

NOTE

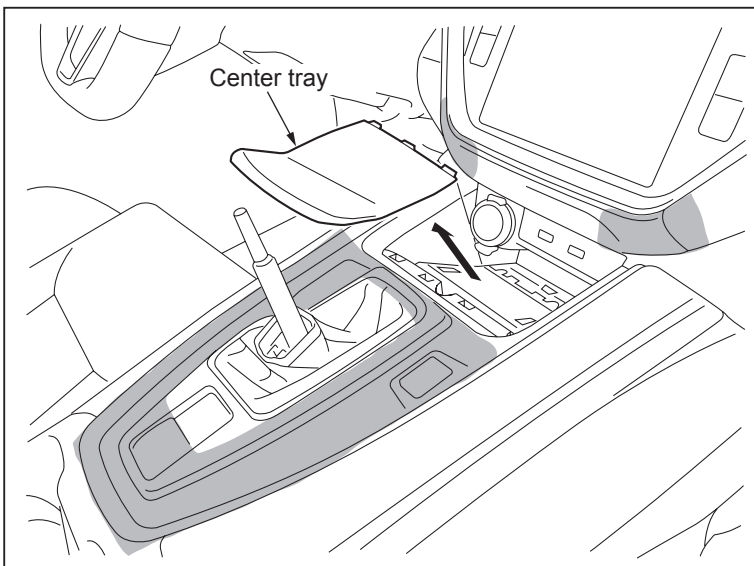
Affix curing tape to the shaded parts (■) in the figure to protect the vehicle.

CVT

- (1) Turn over the rubber of the center tray, insert the screwdriver into the position in the figure, and while inserting it to the depth, lower the shift lever.

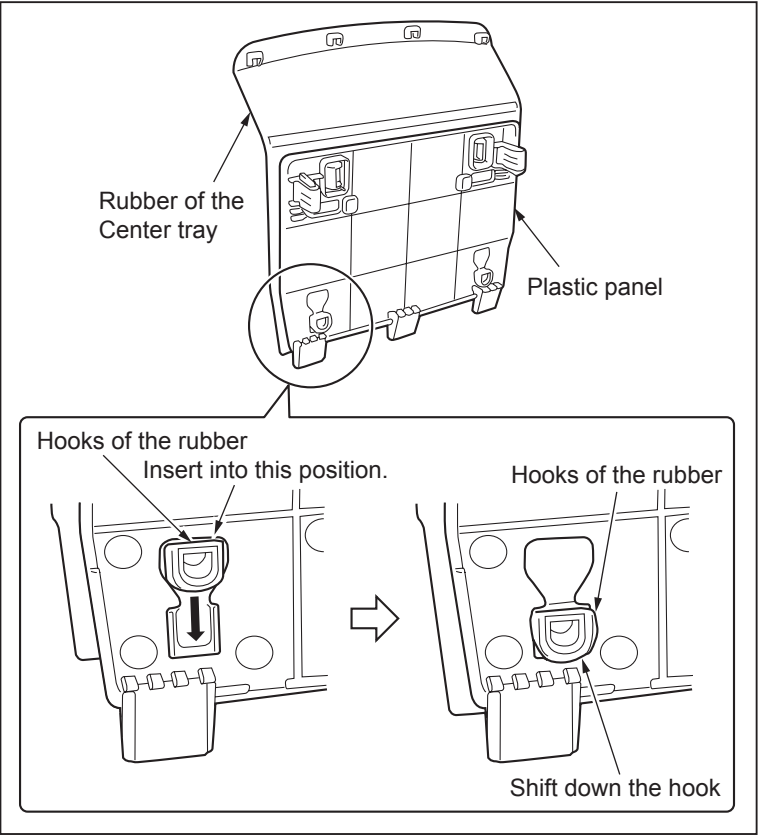


- (2) Lower the shift lever boot, and pull out the pin to remove the shift knob.



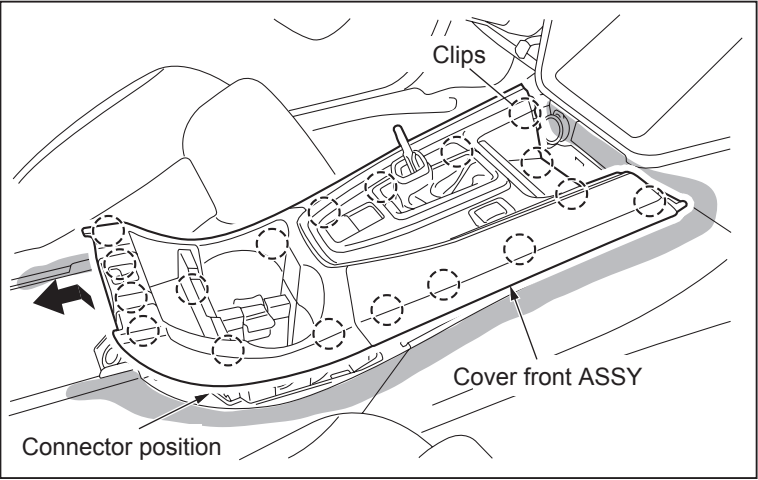
- (3) Remove the center tray.

CVT



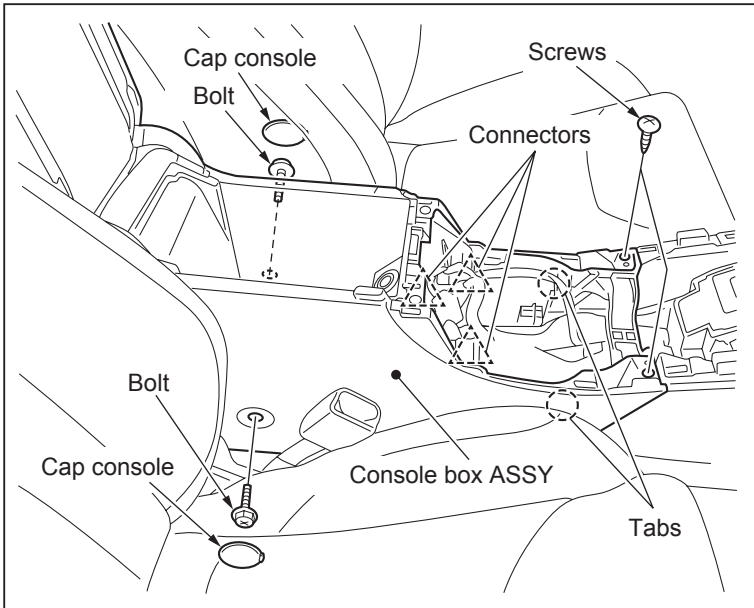
Caution during reinstallation

- If the plastic panel is detached from the rubber during removal of the center tray, firmly fit the hooks of the rubber into the recess sections of the plastic panel, and perform reinstallation.

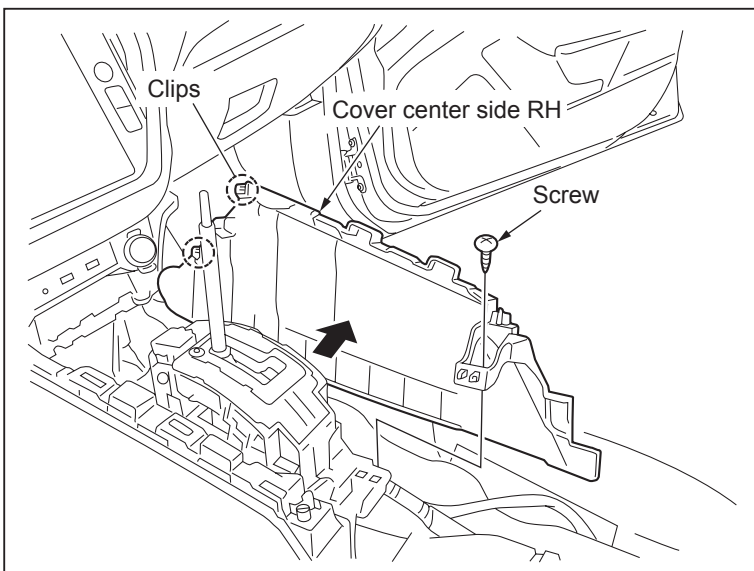


- (4) Disconnect the one connector, and then remove the cover front ASSY.
(Clips: 18 points)

CVT



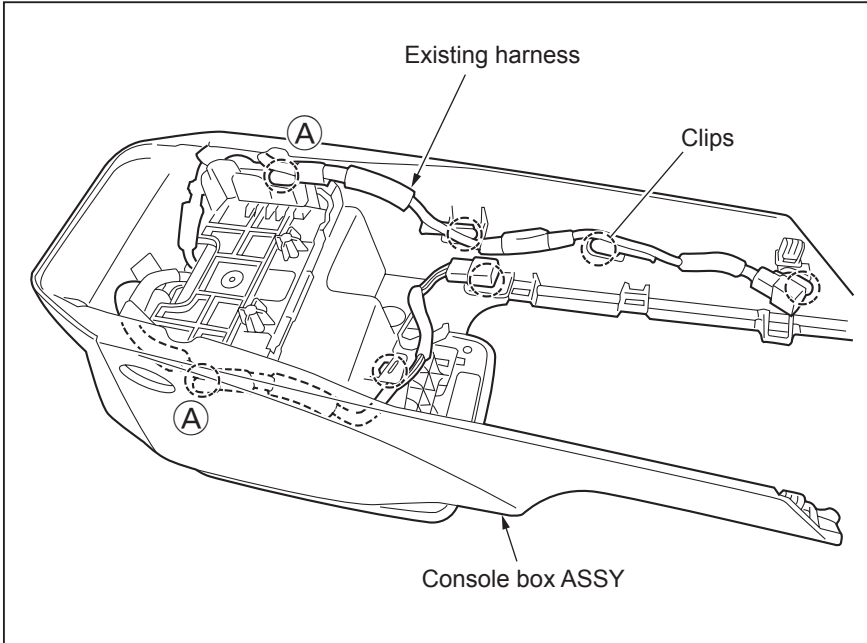
- (5) Remove the two points of the cap console.
- (6) Remove the two bolts and two screws, and while disconnecting the three connectors, remove the console box ASSY.
(Tabs: 2 points)



- (7) Remove the screw, and then remove the cover center side RH.
(Clips: 2 points)

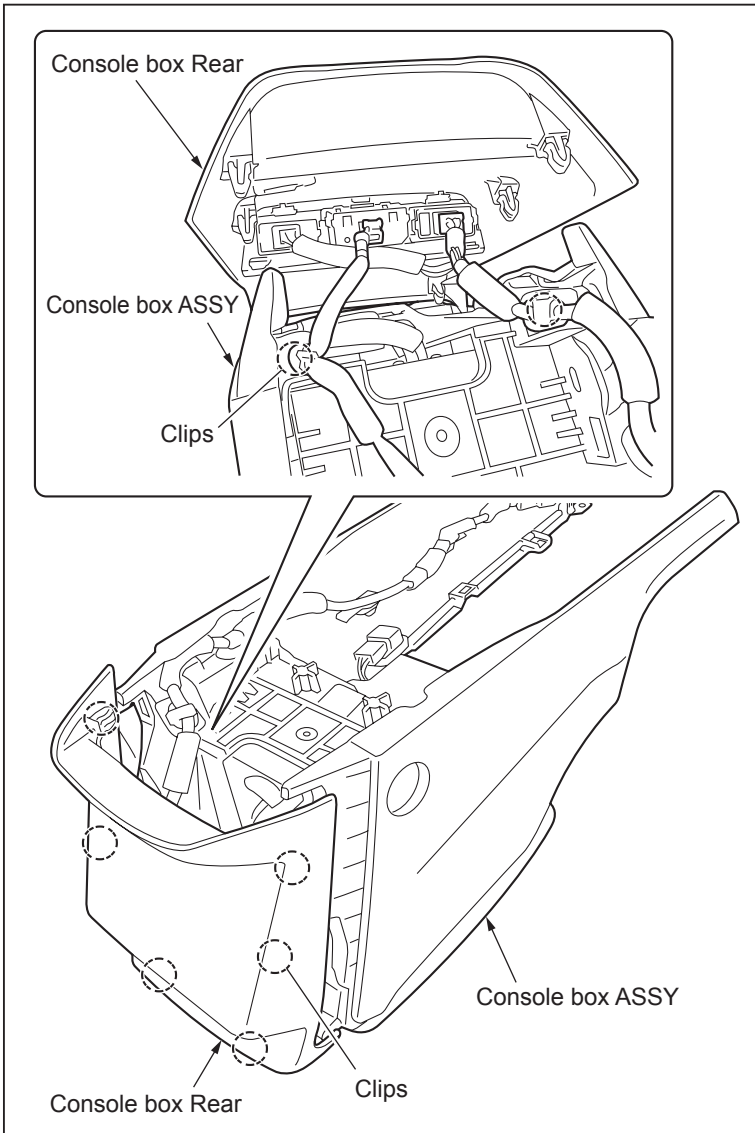
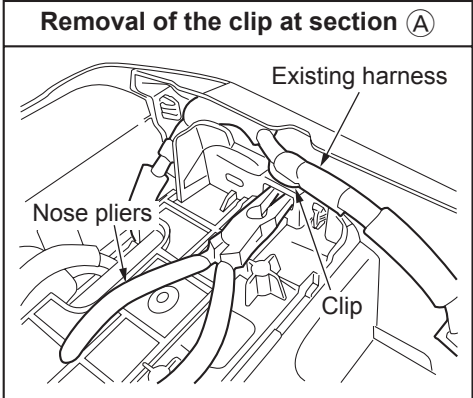
EXCHANGING TO THE CONSOLE BOX ASSY POCKET (FOR DECK)

6MT



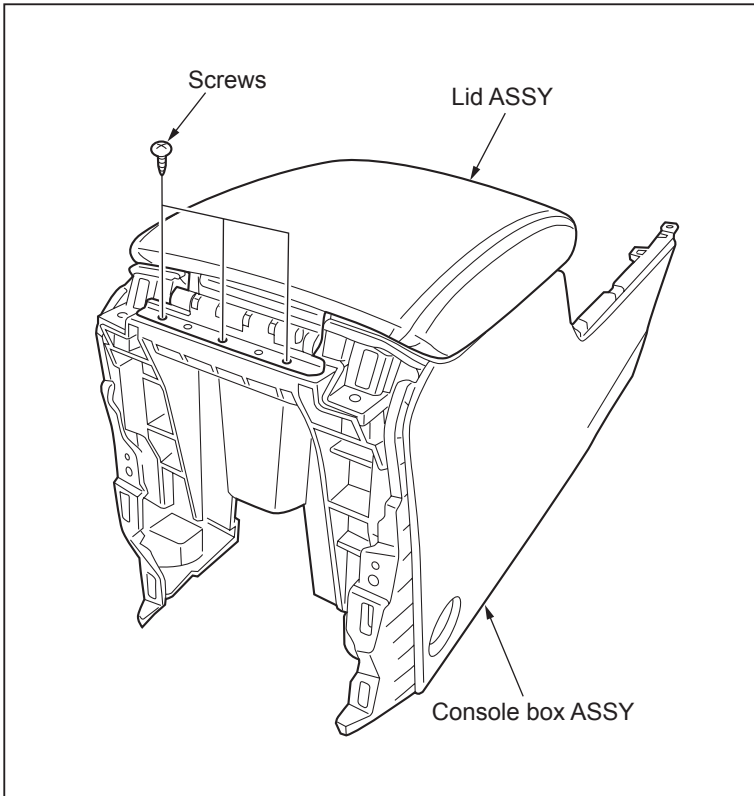
- (1) Remove the existing harness.
(Clips: 7 points)

NOTE
For section **A** in the figure, use nose pliers to hold the clips and remove them.

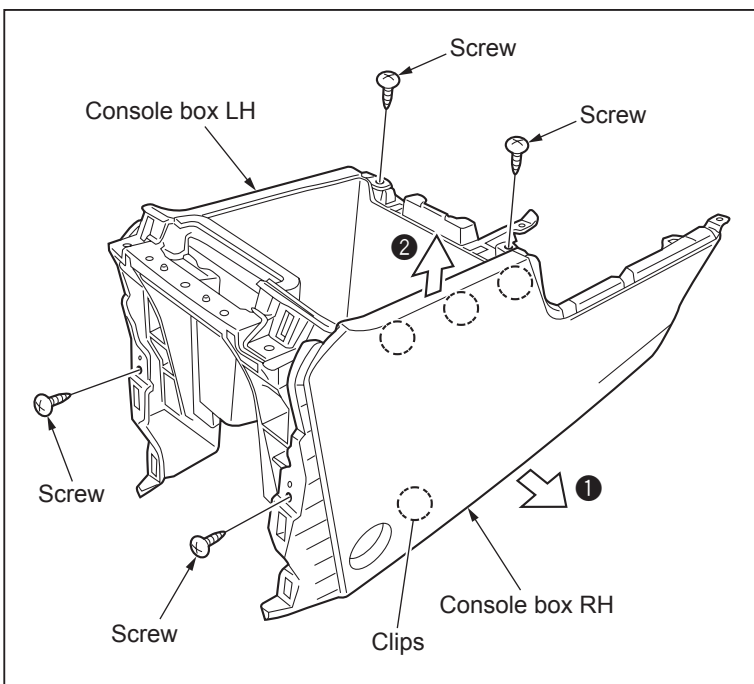


- (2) Remove the console box rear and set it to the floating state.
(Clips: 6 points)
- (3) Release the clips (2 points) of the existing harness, and then remove the console box rear.

6MT



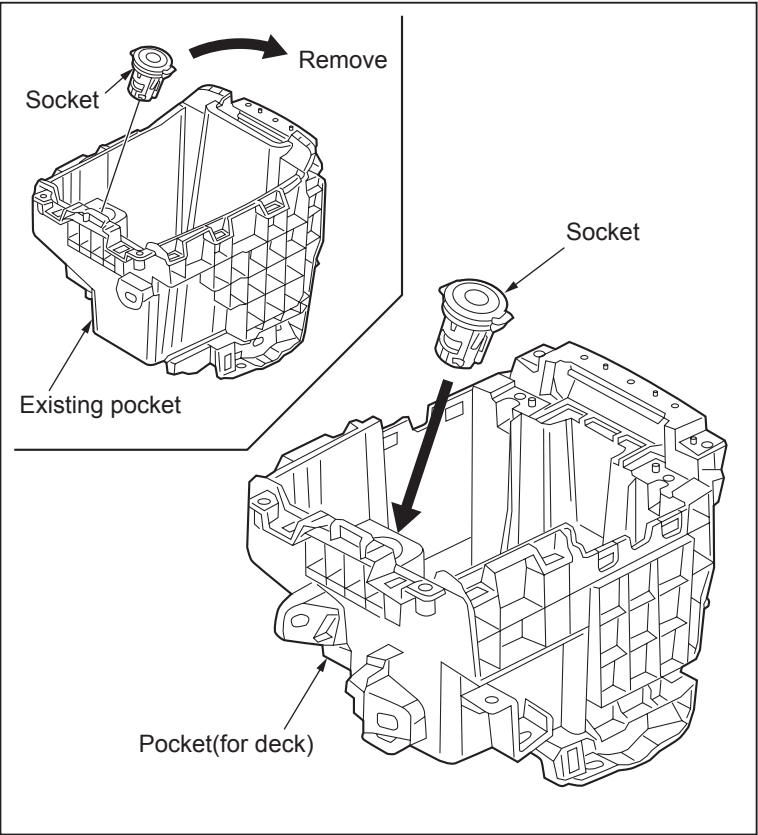
(4) Remove the three screws, and then remove the lid ASSY.



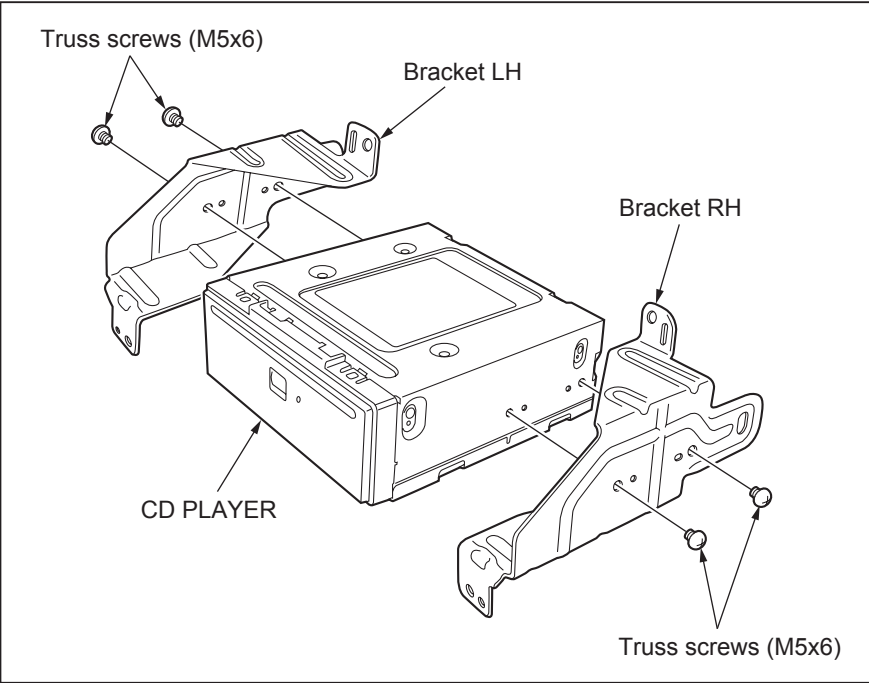
(5) Remove the two screws, and then remove the console box RH in the order of ① and ②.
(Clips: 4 points)

* Remove the console box LH in the same way.

6MT

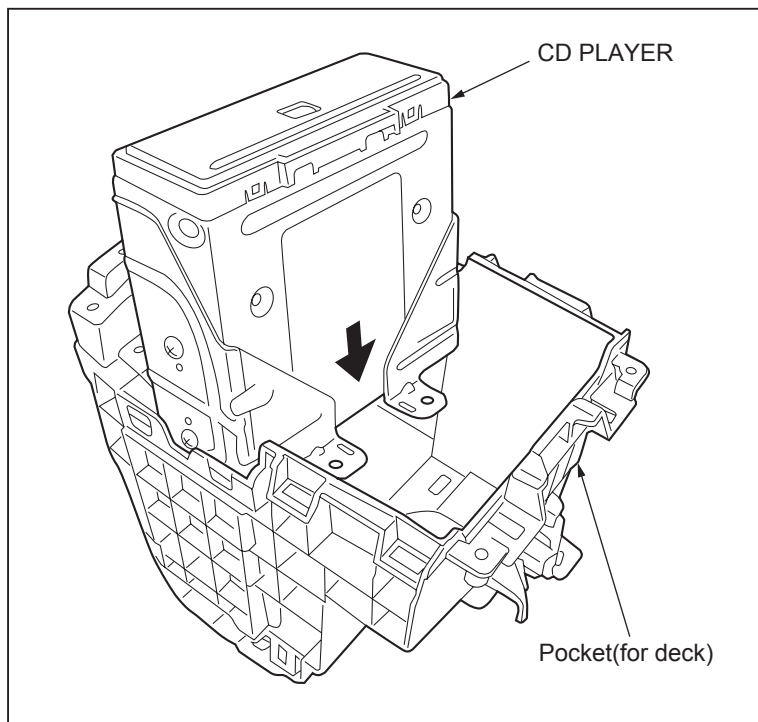


(6) Remove the socket from the existing pocket, and attach it to the pocket (for deck).

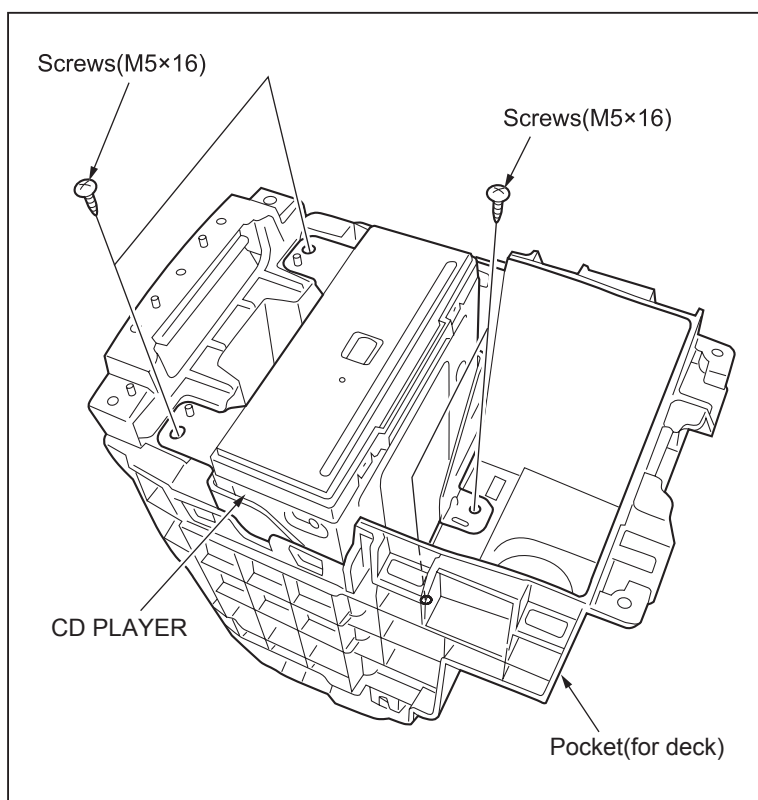


(7) Use the four truss screws (M5x6) to attach the bracket RH and bracket LH to the CD PLAYER.

6MT

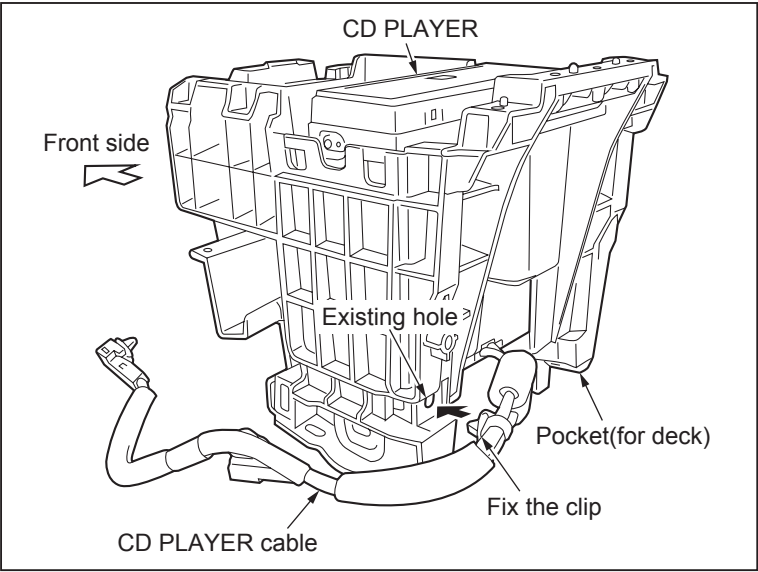


(8) Install the CD PLAYER while passing the CD PLAYER cable through the hole in the pocket (for deck).

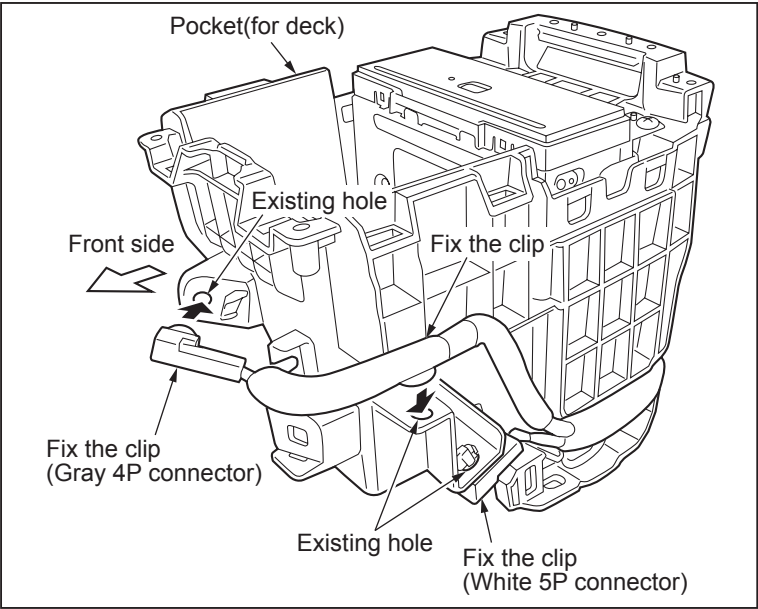


(9) Use the four screws (M5x16) to fix the CD PLAYER to the pocket (for deck).

6MT

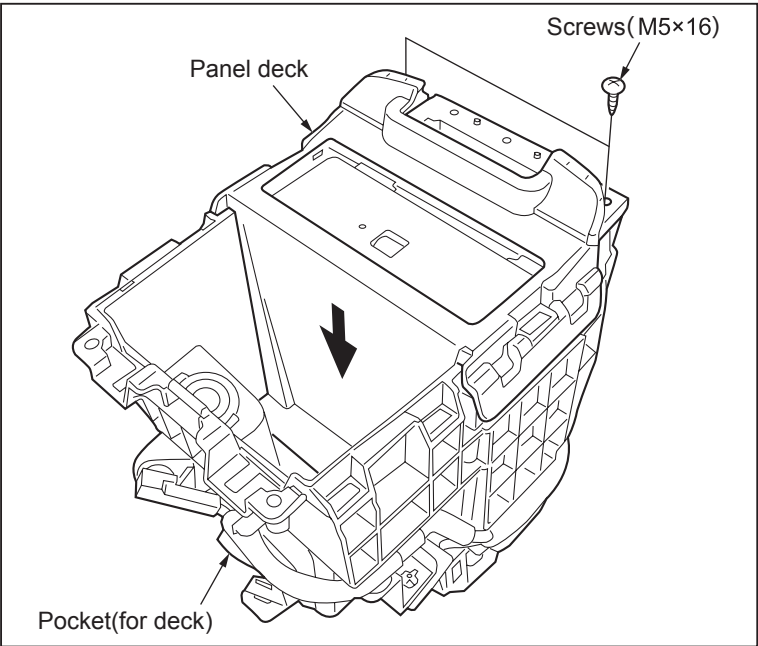


(10) Fix the clip of the CD PLAYER cable into the existing holes in the pocket (for deck).



(11) Fix the two CD PLAYER cable connectors into the existing holes in the pocket (for deck).

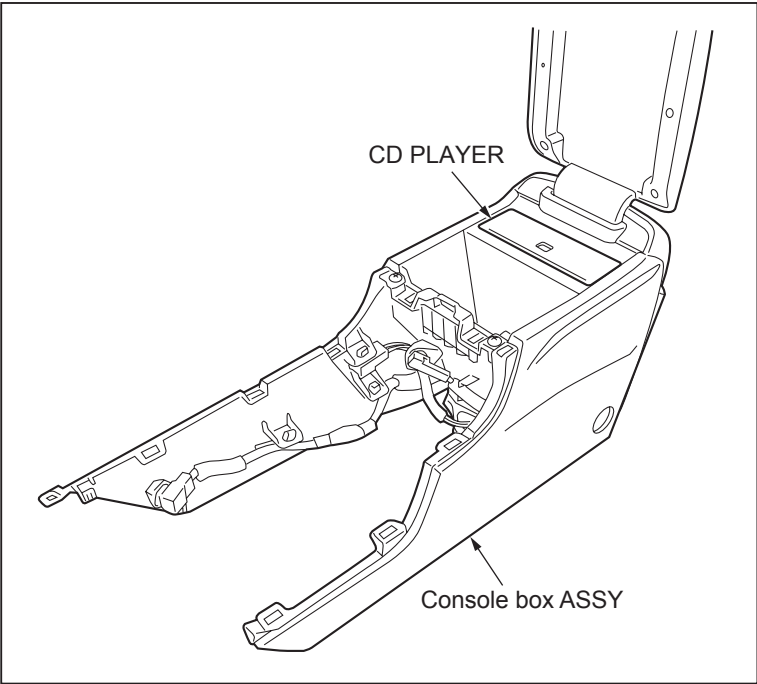
(12) Fix the clip of the CD PLAYER cable into the existing holes in the pocket (for deck).



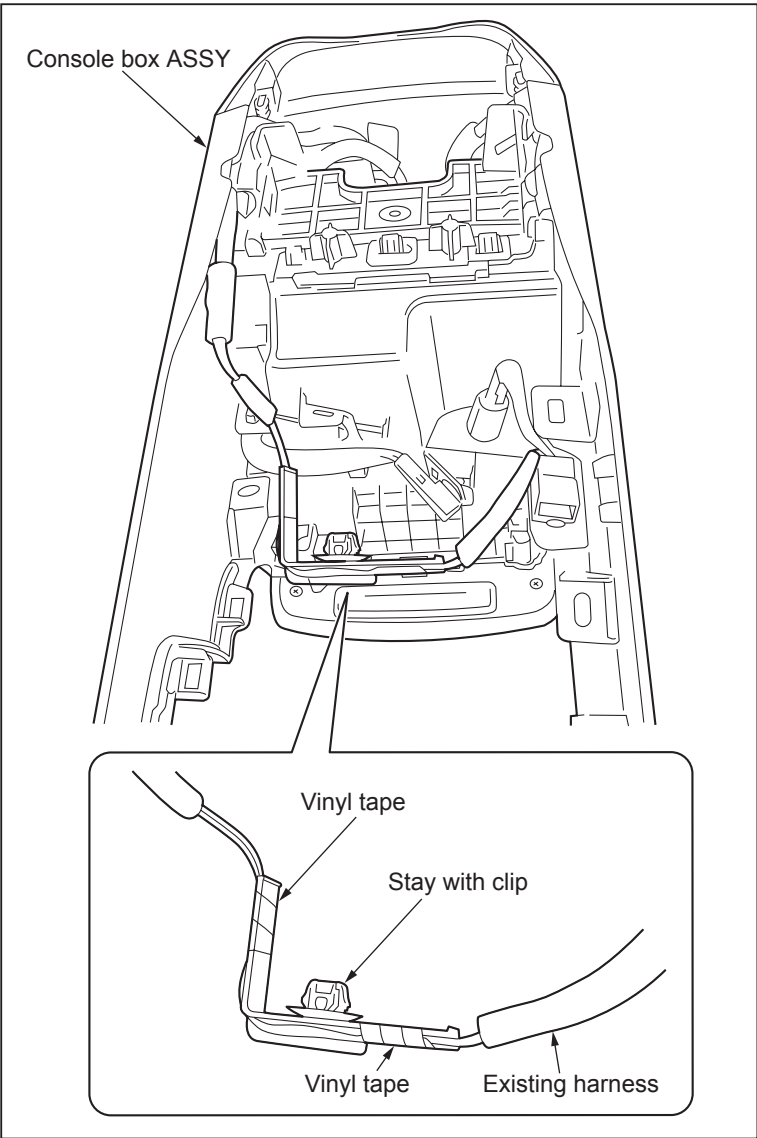
(13) Install the panel deck to the pocket (for deck).

(14) Use the two screws (M5x16) to fix the deck.

6MT

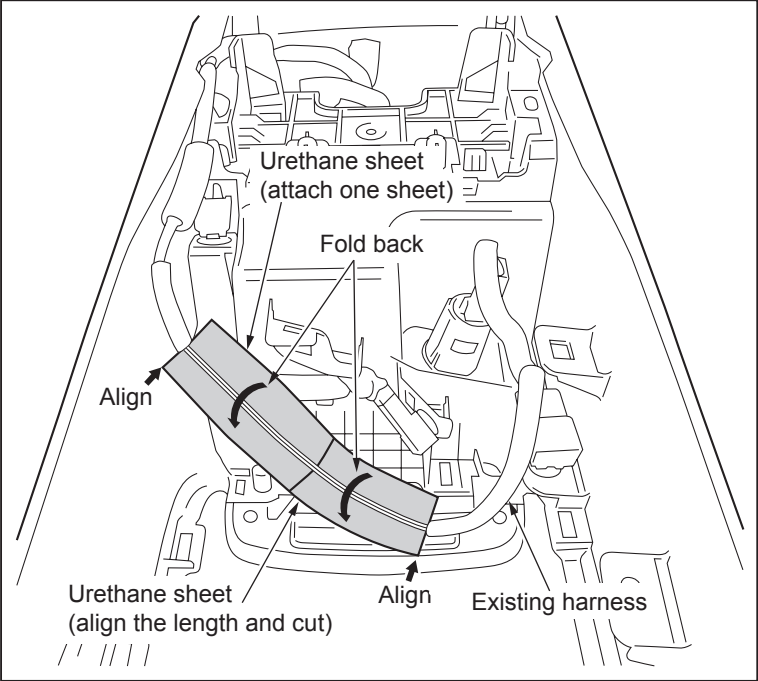


(15) Assemble the console box ASSY using the reverse procedure to removal.

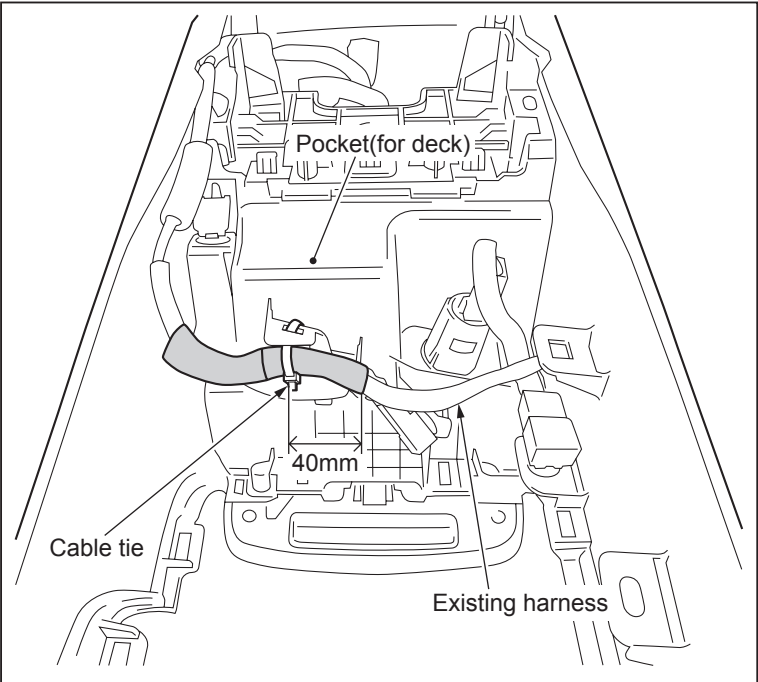


(16) Turn over the console box ASSY, peel off the vinyl tape from the existing harness, and then remove the L-shaped stay with clip.

6MT

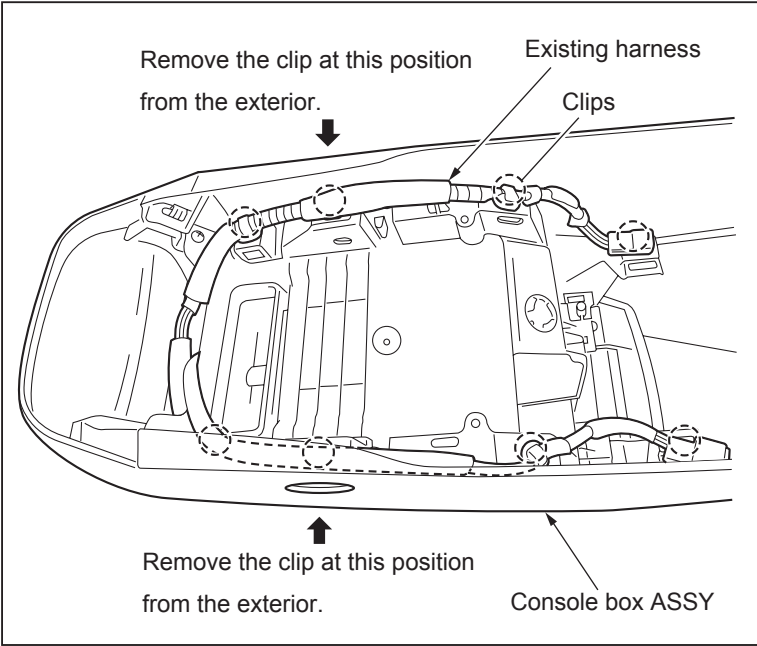


(17) Aligning with the end of the sponge of existing harness, attach the two urethane sheets and fold them back.



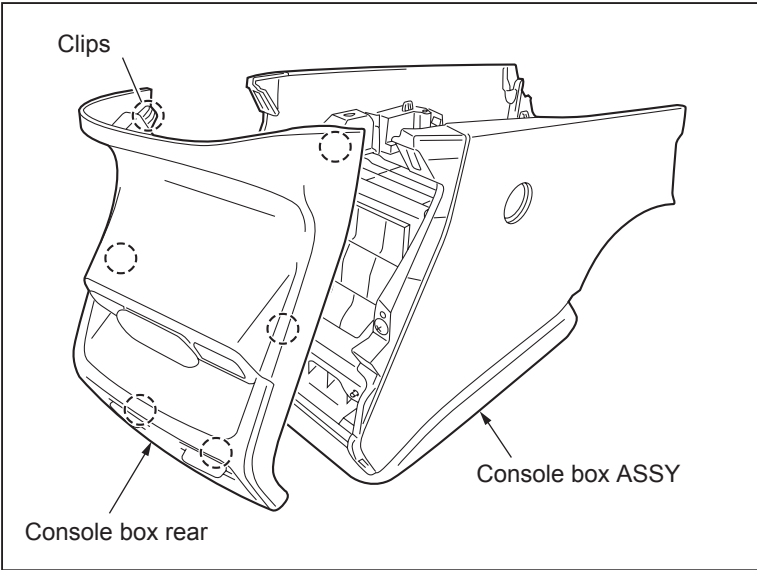
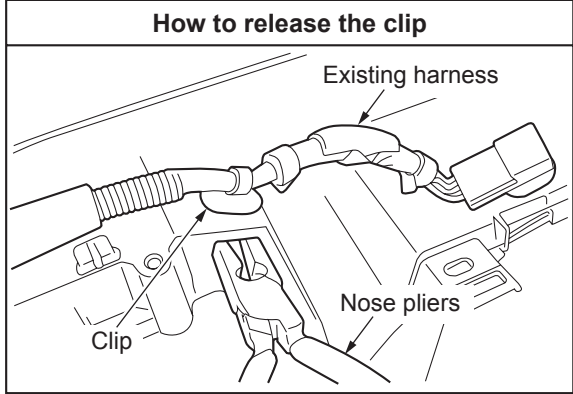
(18) Use a cable tie to fix the indicated position of the existing harness to the pocket (for deck).

CVT



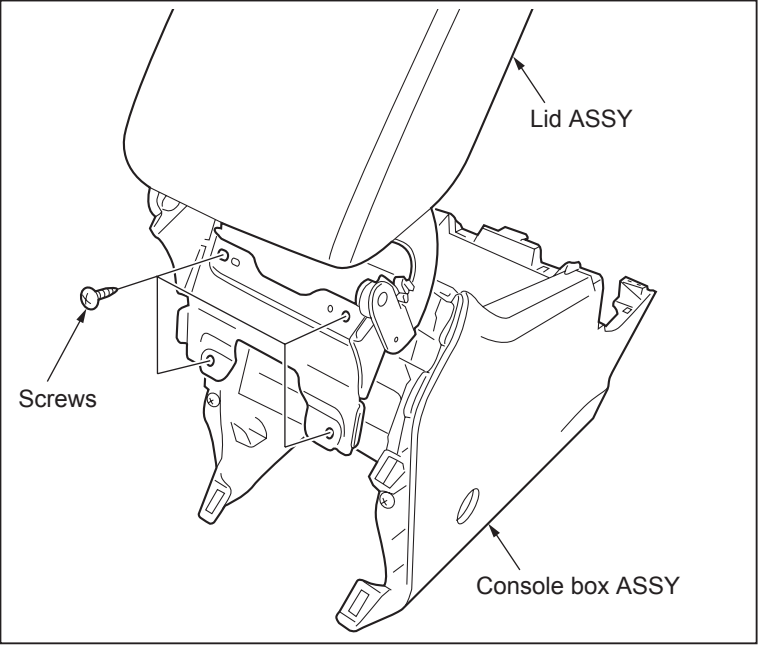
(1) Remove the existing harness.
(Clips: 8 points)

NOTE
Use nose pliers to pinch the six clips on the existing harness and release them. Release the two clips shown by the arrows in the figure from the exterior of the console box ASSY.

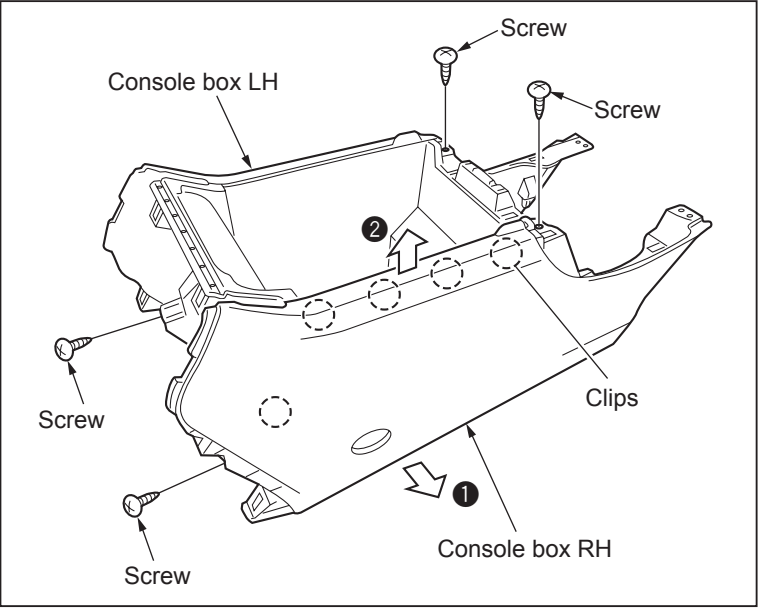


(2) Remove the console box rear.
(Clips: 6 points)

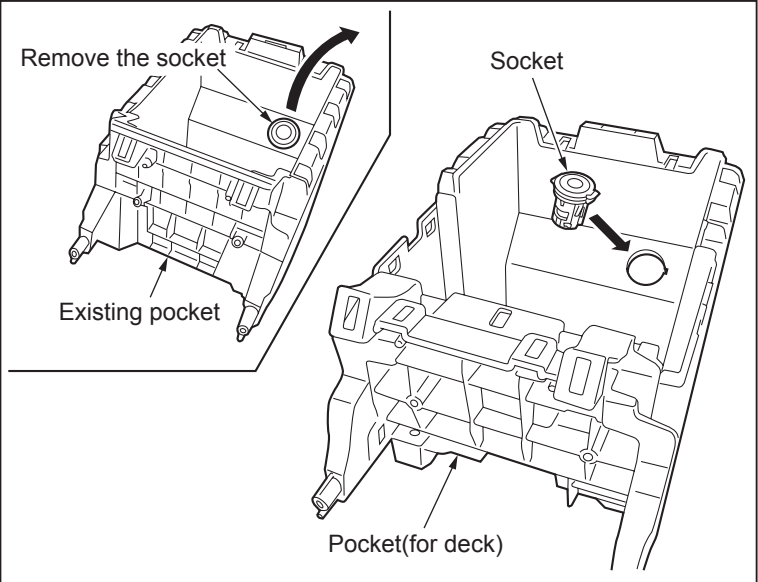
CVT



(3) Remove the four screws, and then remove the lid ASSY.



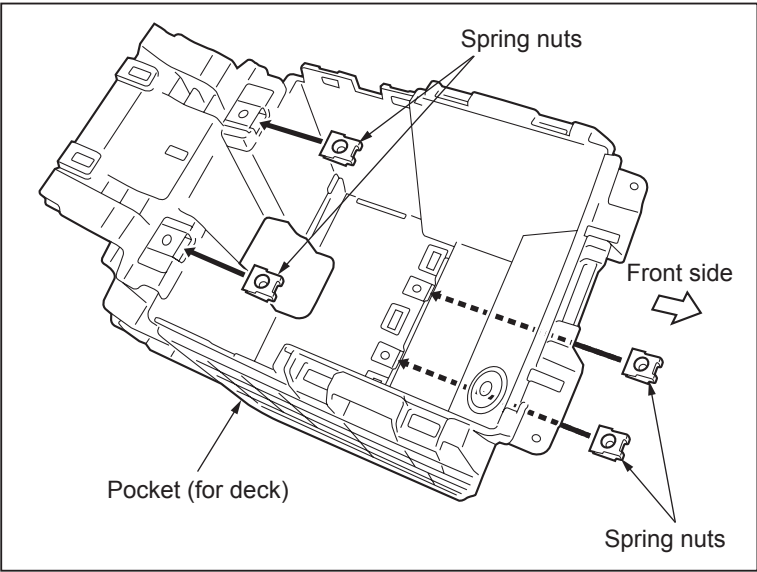
(4) Remove the two screws, and then remove the console box RH in the order of ① and ②. (Clips: 5 points)
 * Remove the console box LH in the same way.



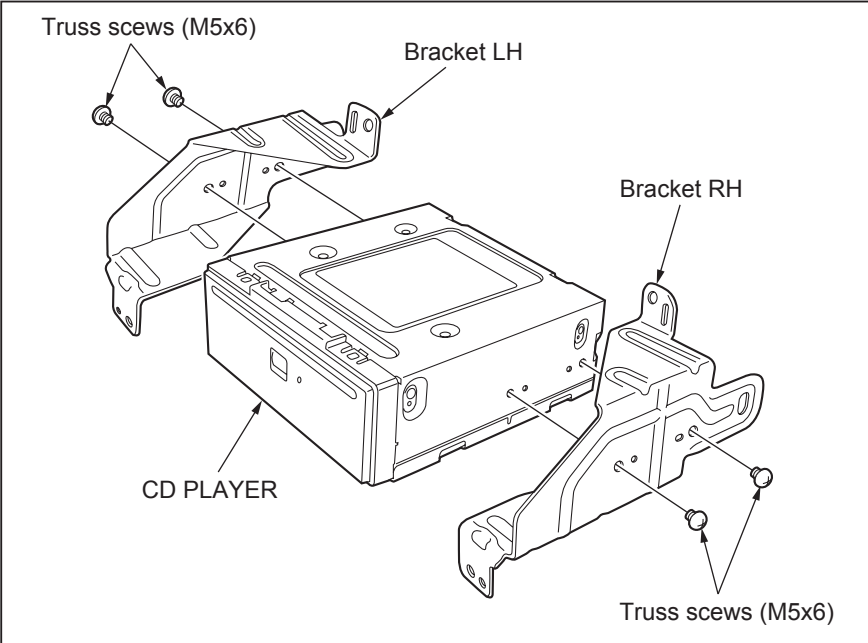
(5) Remove the socket from the existing pocket, and attach it to the pocket (for deck).

NOTE
 The existing pocket is not reused.
 Hand it to the customer.

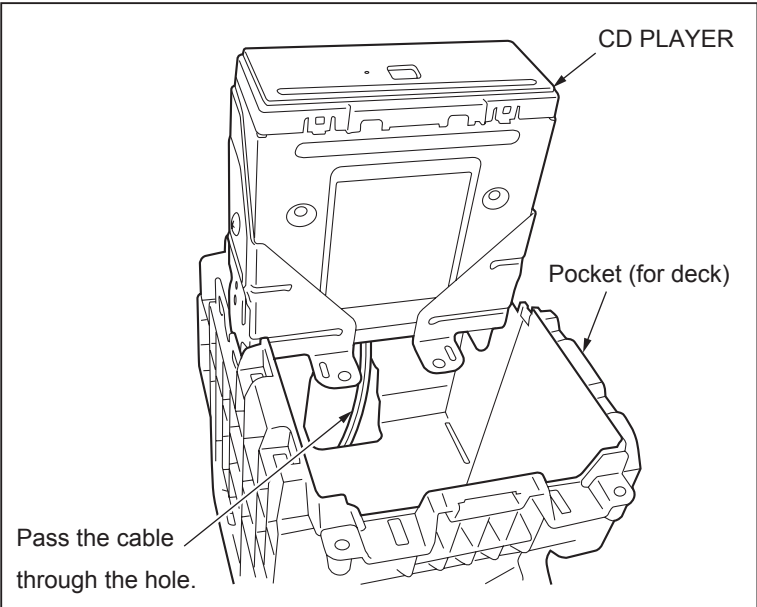
CVT



(6) Attach the four spring nuts to the pocket (for deck).

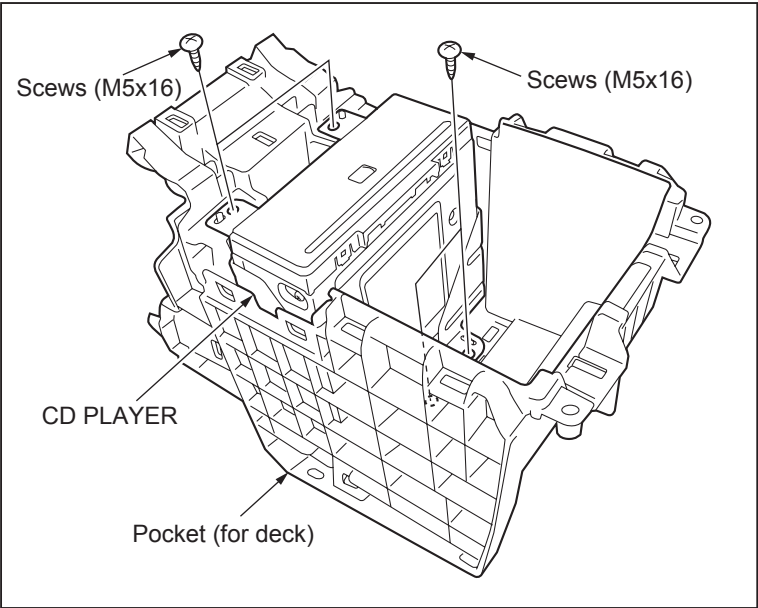


(7) Use the four truss screws (M5x6) to attach the bracket RH and bracket LH to the CD PLAYER.

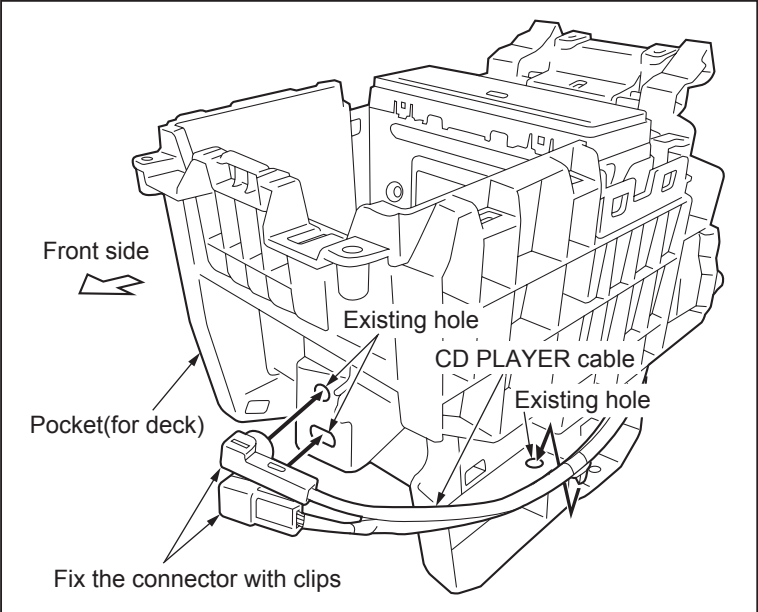


(8) Install the CD PLAYER while passing the CD PLAYER cable through the hole in the pocket (for deck).

CVT

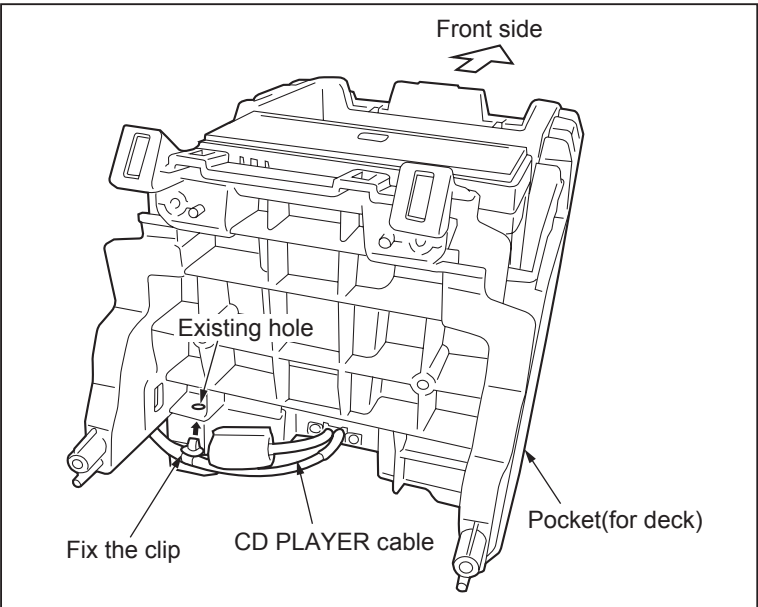


(9) Use the four screws (M5x16) to fix the CD PLAYER to the pocket (for deck).



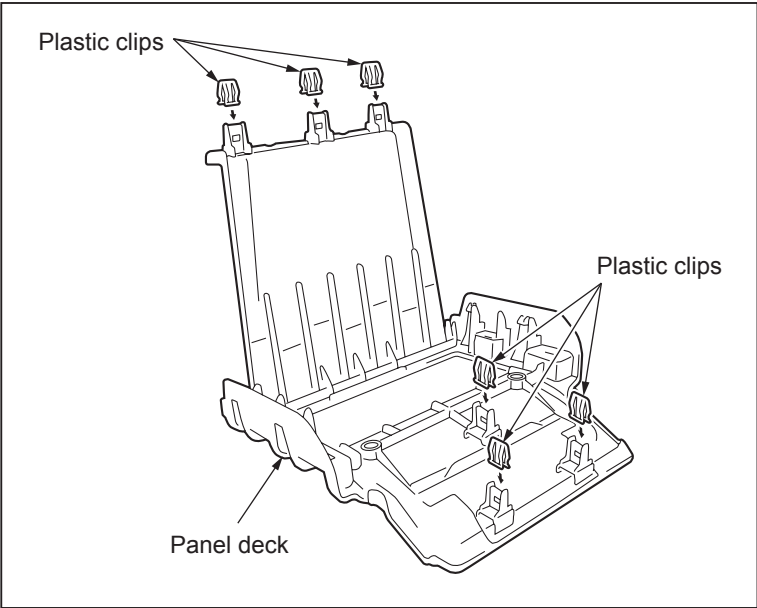
(10) Fix the two CD PLAYER cable connectors into the existing holes in the pocket (for deck).

(11) Fix the CD PLAYER cable into the existing holes in the pocket (for deck) using a cable tie.

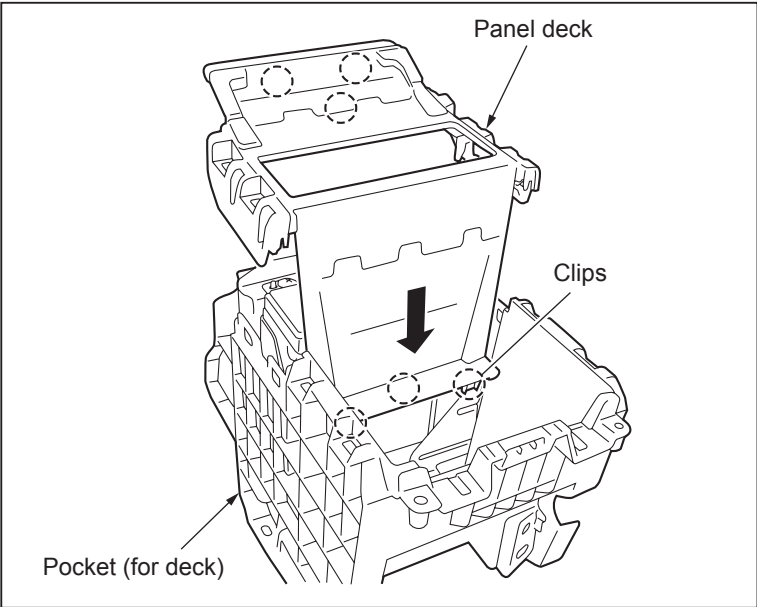


(12) Fix the CD PLAYER cable into the existing holes in the pocket (for deck) using a cable tie.

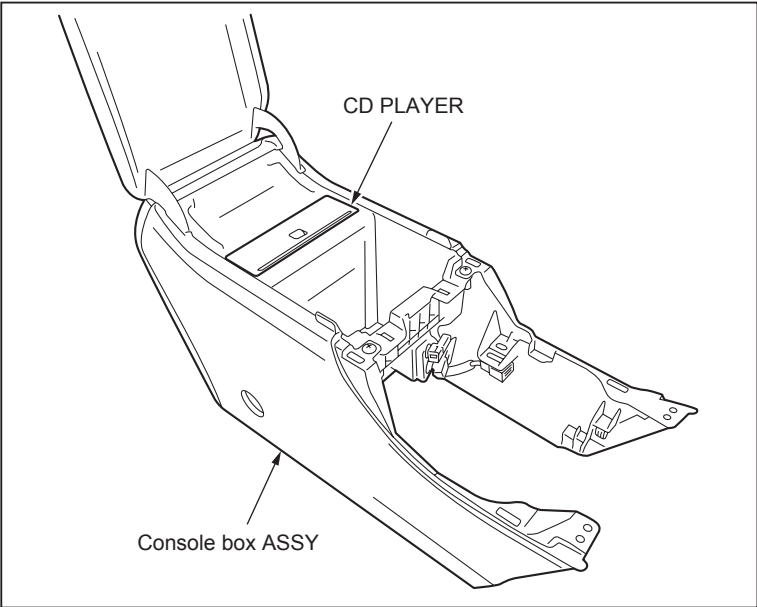
CVT



(13) Install six plastic clips to the panel deck.



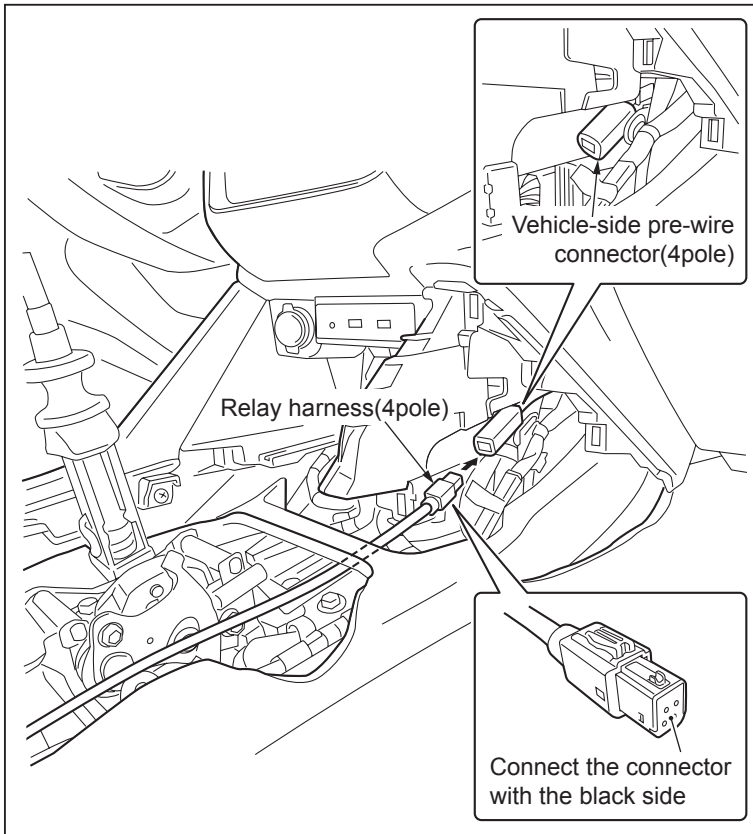
(14) Install the panel deck to the pocket (for deck).



(15) Assemble the console box ASSY using the reverse procedure to removal.

WIRING OF RELAY HARNESS

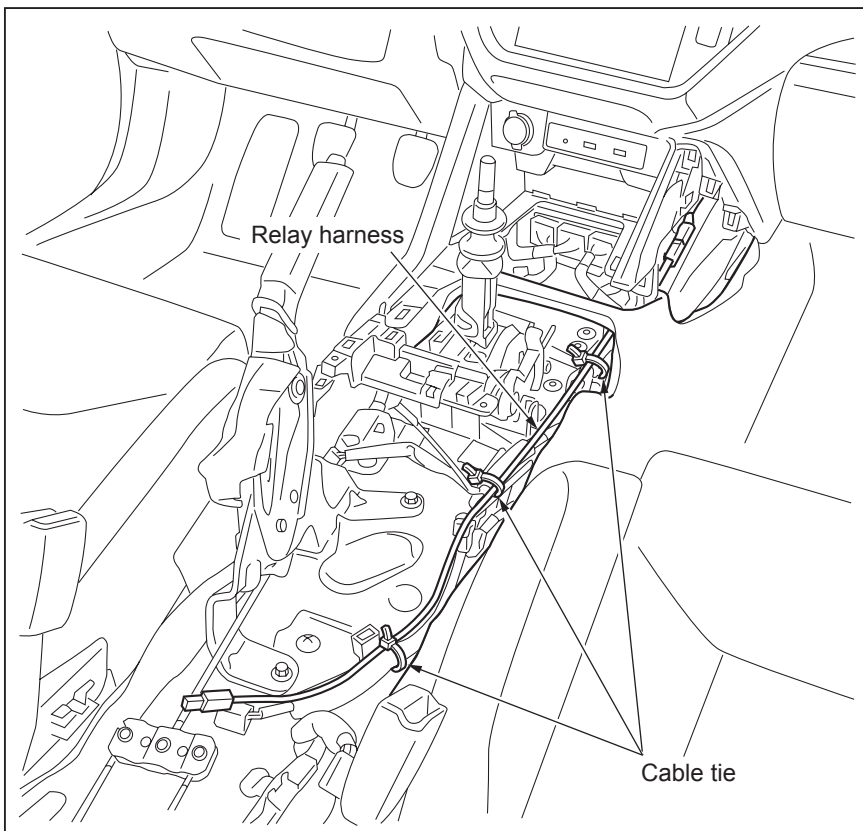
6MT



- (1) Connect the connector with the black connection side of the relay harness to the vehicle-side pre-wire connector.

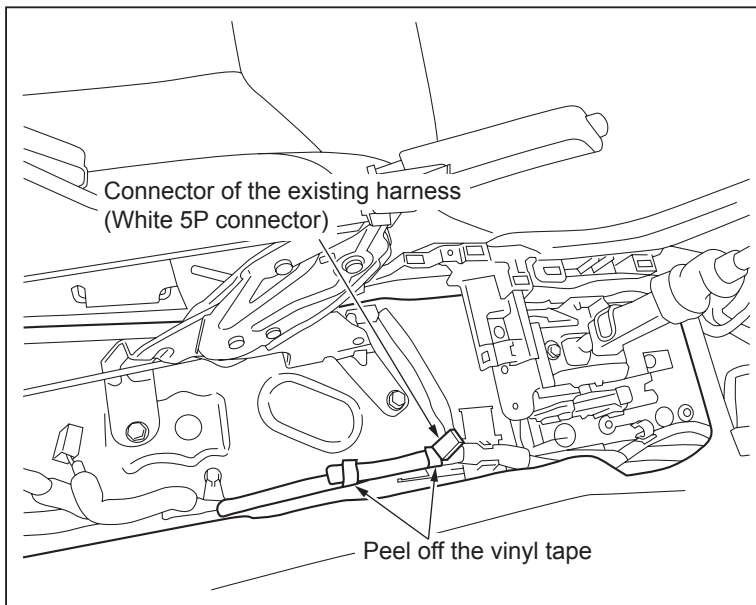
NOTE

To prevent damage to the vehicle-side connector, make sure not to connect the gray-surface connector of the relay harness.

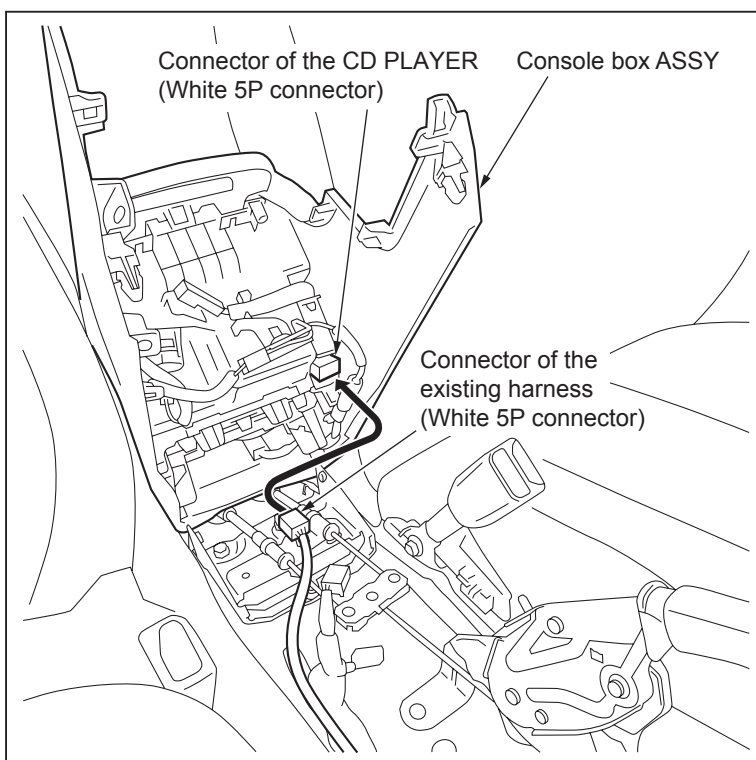


- (2) Wire the relay harness along the vehicle harness, and fix it with a cable tie.

6MT

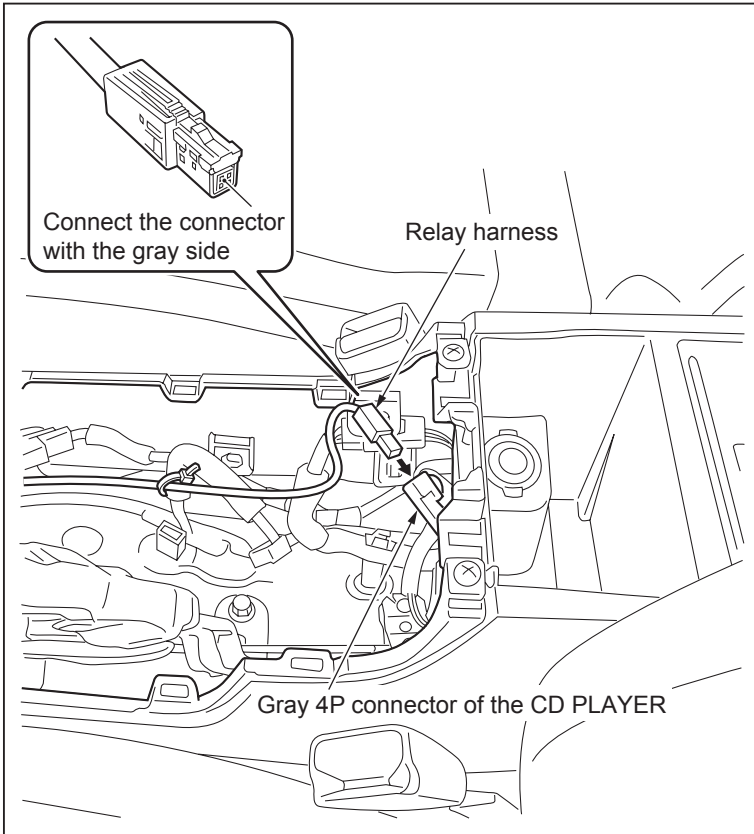


- (3) Peel off the vinyl tape and take out the white 5P connector of the existing harness.



- (4) Connect the white 5P connector of the existing harness to the white 5P connector of the CD PLAYER installed in the console box ASSY.
- (5) Reinstall the console box ASSY in the vehicle using the reverse procedure to removal.

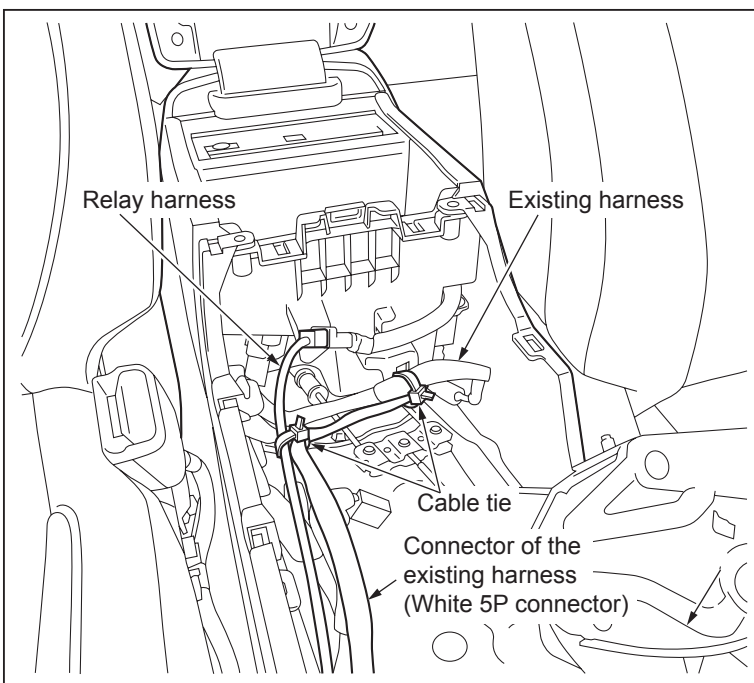
6MT



- (6) Connect the relay harness to the gray 4P connector of the CD PLAYER.

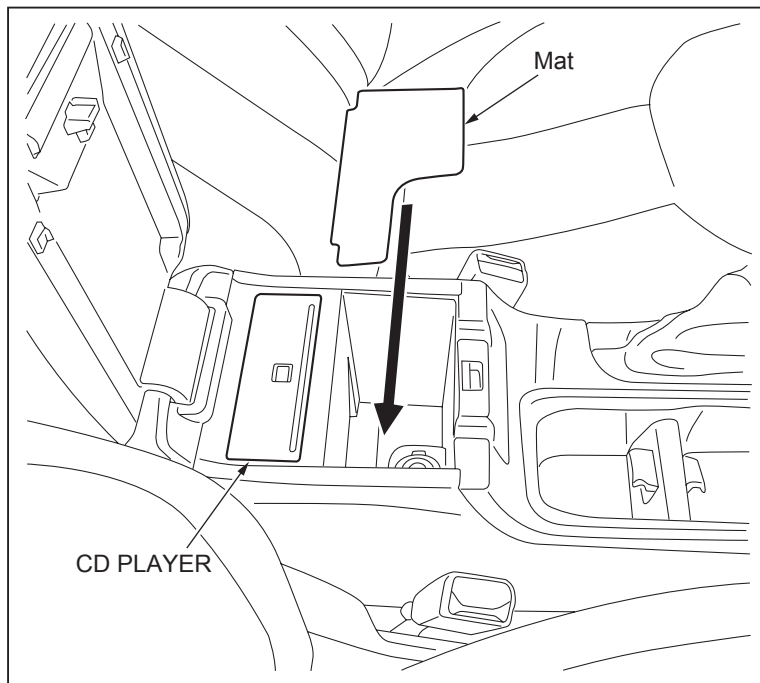
NOTE

To prevent damage to the vehicle-side connector, make sure not to connect the black-surface connector of the relay harness.



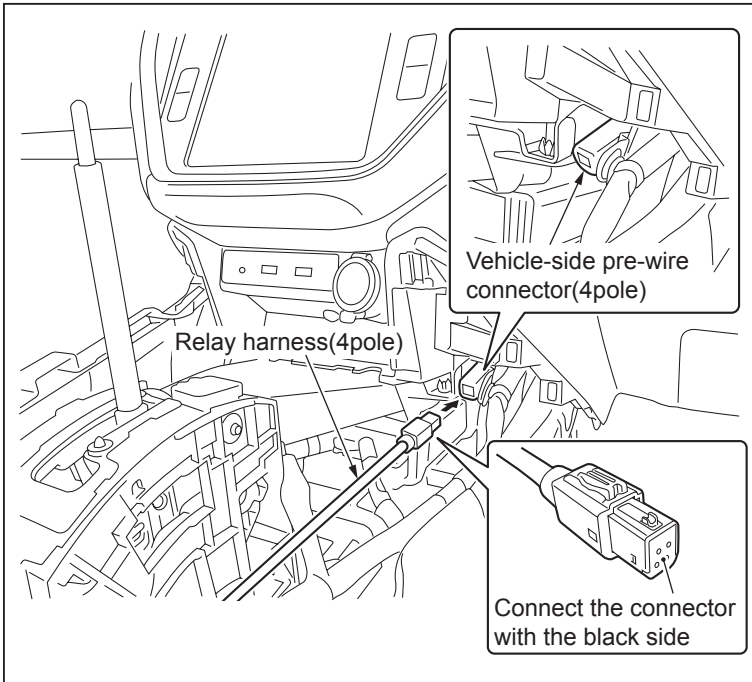
- (7) Fix the harnesses with cable ties as shown in the figure.

6MT



(8) After reinstalling the vehicle components, attach the mat in the console box ASSY.

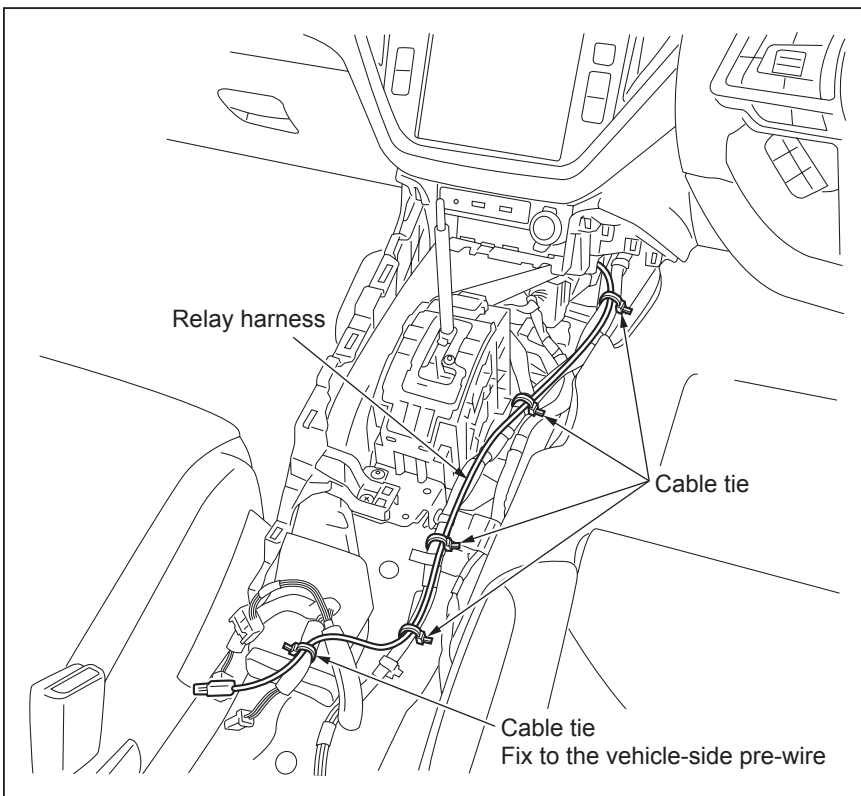
CVT



- (1) Connect the connector with the black connection side of the relay harness to the vehicle-side pre-wire connector.

NOTE

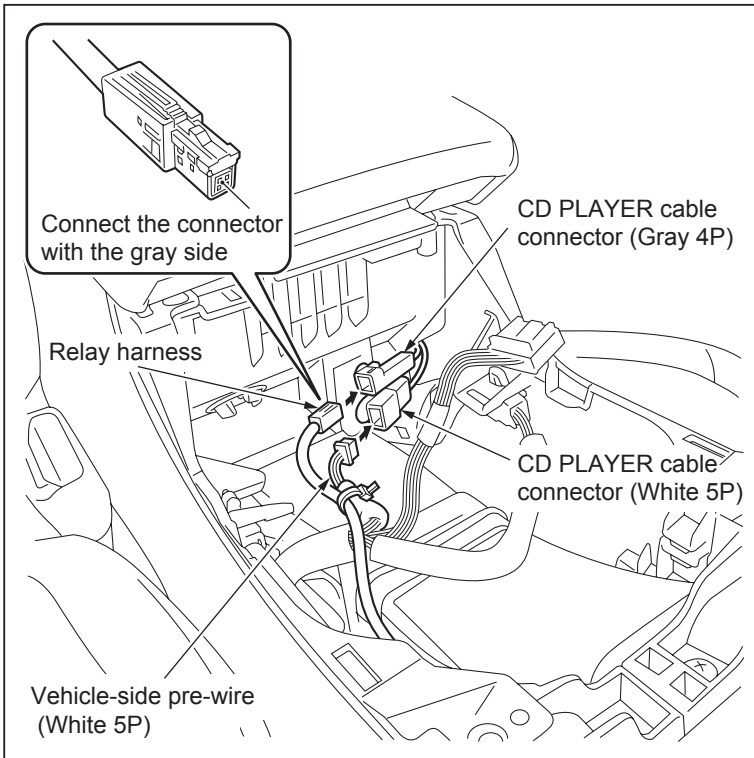
To prevent damage to the vehicle-side connector, make sure not to connect the gray-surface connector of the relay harness.



- (2) Wire the relay harness along the vehicle harness, and fix it with a cable tie.

- (3) Reinstall the console box ASSY in the vehicle using the reverse procedure to removal.

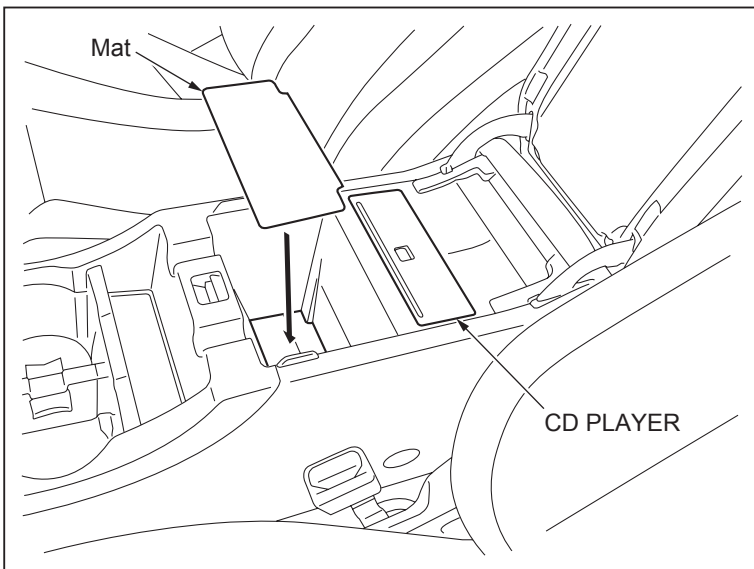
CVT



- (4) Connect the connectors of the relay harness and vehicle-side pre-wire to the CD PLAYER cable connectors.

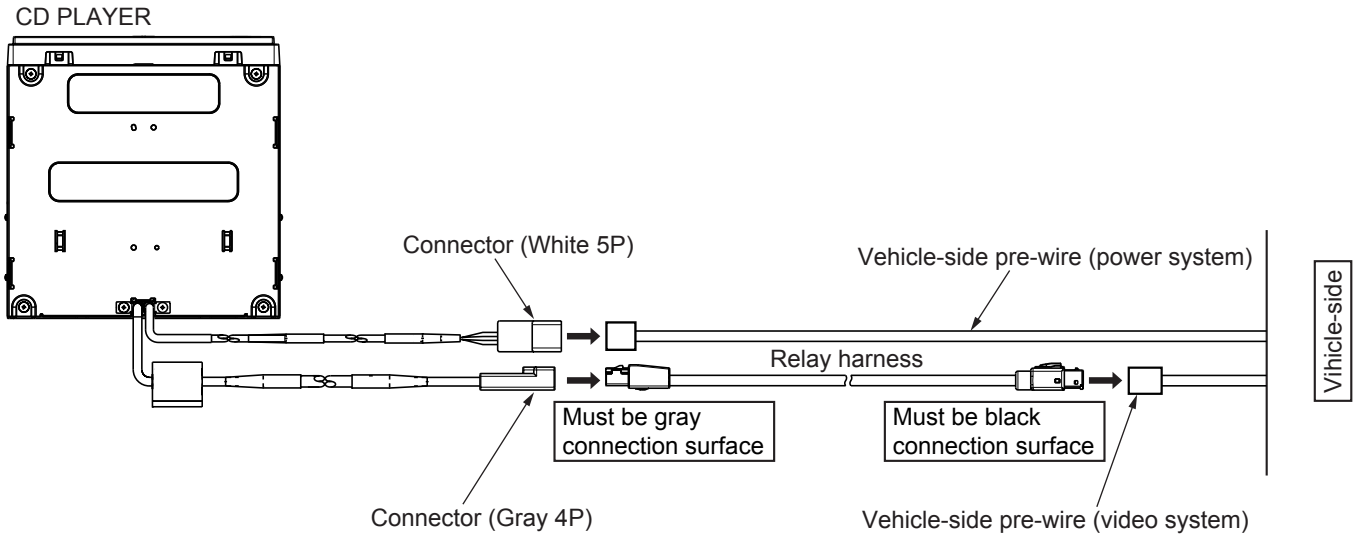
NOTE

To prevent damage to the vehicle-side connector, make sure not to connect the black-surface connector of the relay harness.



- (5) After reinstalling the vehicle components, attach the mat in the console box ASSY.

WIRING DIAGRAM



Operation Check

- (1) Referring to the wiring diagram, connect all wires.
- (2) Connect the battery, and turn on the engine switch.
- (3) Insert a CD medium into the deck, and check for EJECT/Loading/Playback output.

REVISION HISTORY

△	Content	Date
△0	Newly established	10 / 2021
△		
△		
△		