



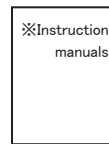
CARGO SHELF KIT

Installation Manual

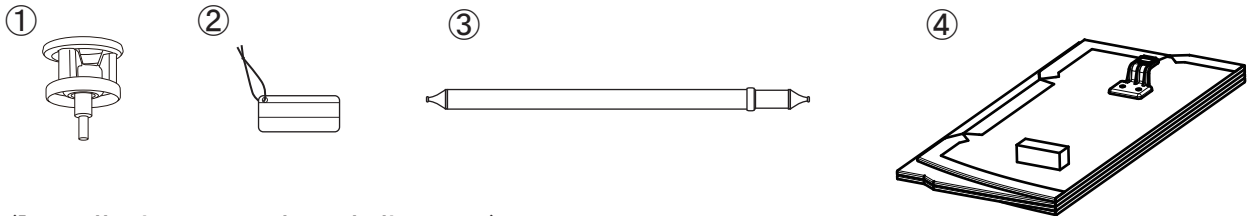
Genuine part number F5510SL110
 Applicable car model FORESTER 2025MY ~

Kit includes

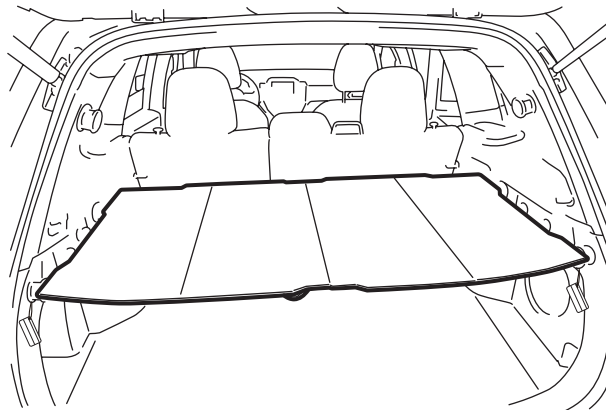
No.	Components	Qty.	Marks
1	Utility Hooks	4	Part Number F5510SL010 × 2
2	Caution Labels	2	
3	Utility Bars	2	Part Number F5510SL020 × 2
4	Cargo Shelf	1	Part Number F5510SL100 × 1



※Instruction manuals are included in each one.

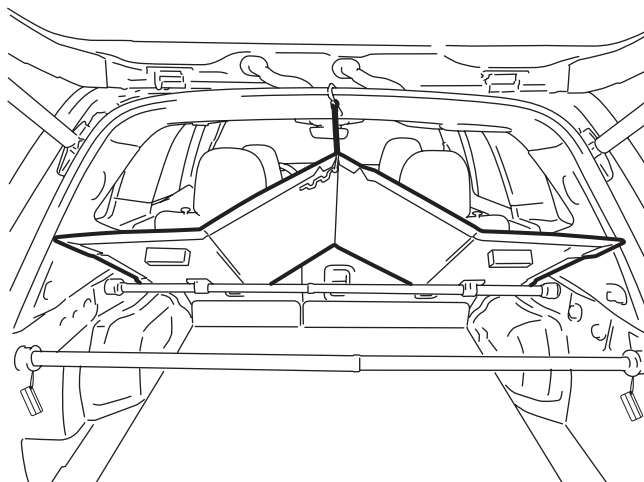


<Installation completed diagram>



Installation order is as follows;

1. Utility Hooks x4
2. Utility Bars x2
3. Cargo Shelf x1



Please make sure that the Cargo Shelf can be opened and hanged after installation.

Note

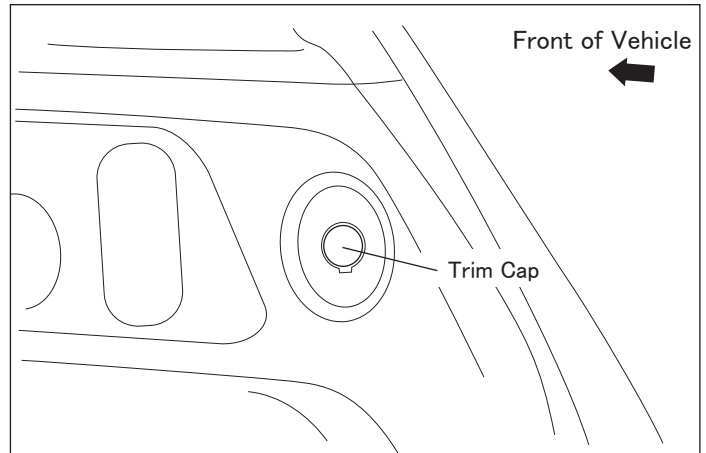
Close the Rear Gate after putting down the Cargo Shelf into place. It can cause breakdowns if close the Rear Gate with the Cargo Shelf opening.

Installation Instructions

1. Remove the trim cap with flat-blade screwdriver

⚠ Caution

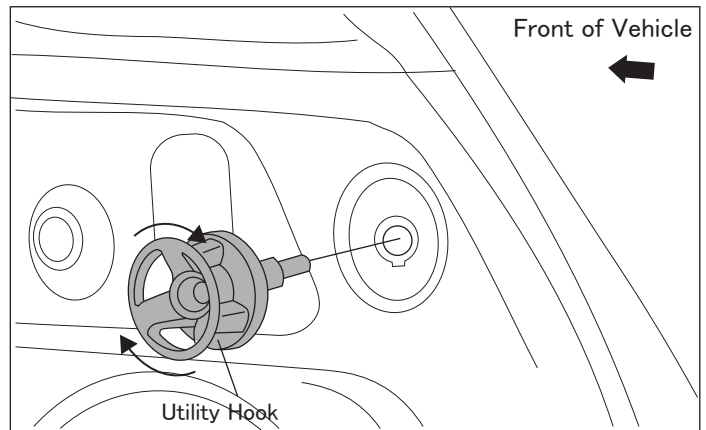
The removed trim covers will not be re-used. Place trim covers in glove box.



2. Turn the Utility hook clockwise by hand to install it to the trim.

⚠ Caution

When fastening the Utility hook, install it securely until it touches the vehicle trim and the Utility hook does not rattle and turn.



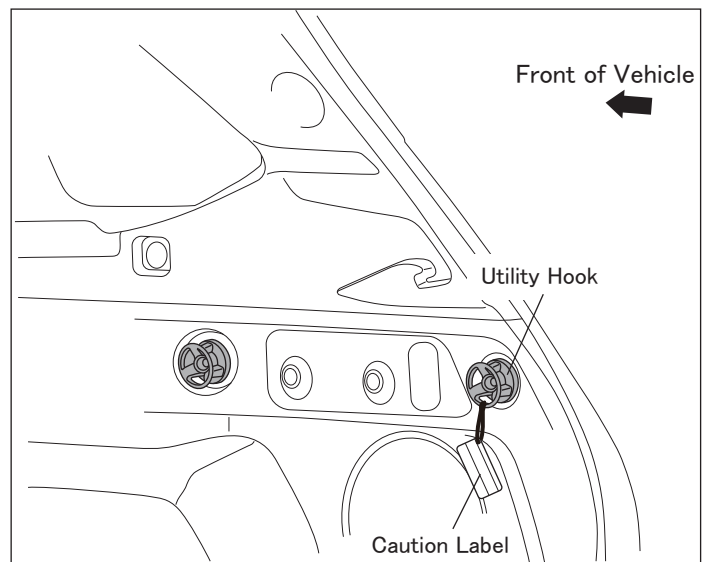
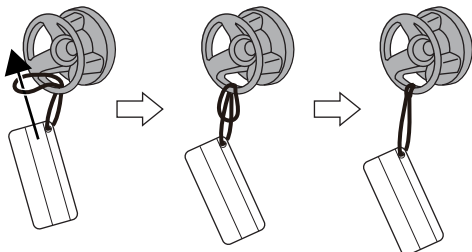
3. Tie-on the two Caution labels to both RH and LH hooks installed on vehicle backward.

<When installing another optional Utility Hooks (6 hooks in total)>

Please hand over the unused one caution label to the customer.

👉 Tip

How to tie on the Caution label;



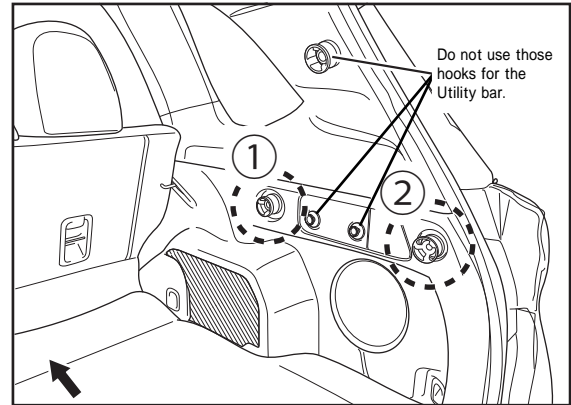
Post-Installation Check

- Make sure that there is no rattling or looseness of each Utility hooks.
- Make sure that the Caution label is tied on to the Utility hook properly.

4. Confirm the location where the Utility bar install.
The Utility bar should be inserted center of the Utility hooks which are installed location ① and ②.

⚠ Caution

Genuine Utility Hook must be used to install this product. It can cause breakdown or unexpected injury if don't use genuine Utility Hooks.
Do not install on the built-in hooks of vehicle and topmost Utility hooks for this shelf.

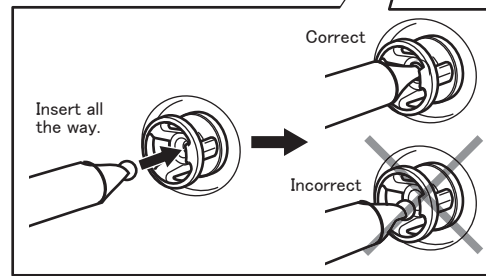
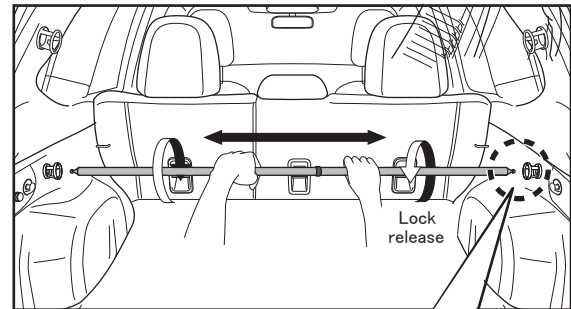


5. Installing the Utility Bars

- (1) Twist the Utility Bar to release the lock and then extend it to its installation length.
- (2) Insert the ends of the Utility Bar firmly as far as it will go.

⚠ Caution

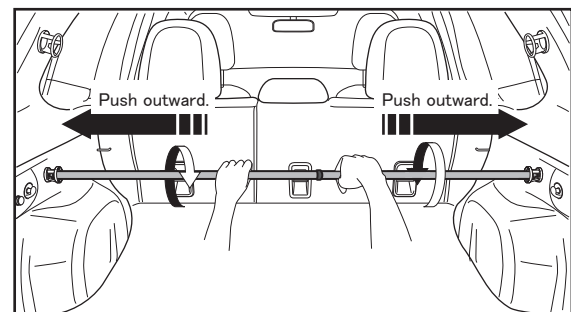
Do not install the Utility Bars in any holes other than the Utility Hooks.



- (3) Push each side of Utility bar to outward and then rotate the bar to fasten firmly.

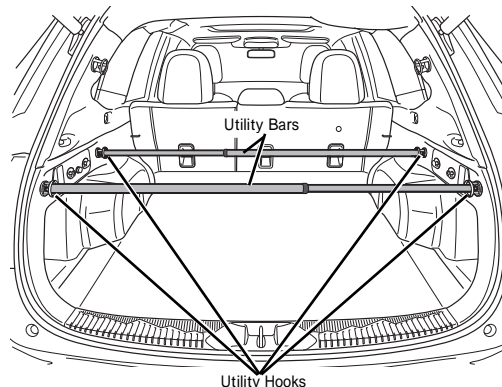
⚠ Caution

Clearance between the bar ends and hooks can cause breakdown, rattling noise and unexpected injury.



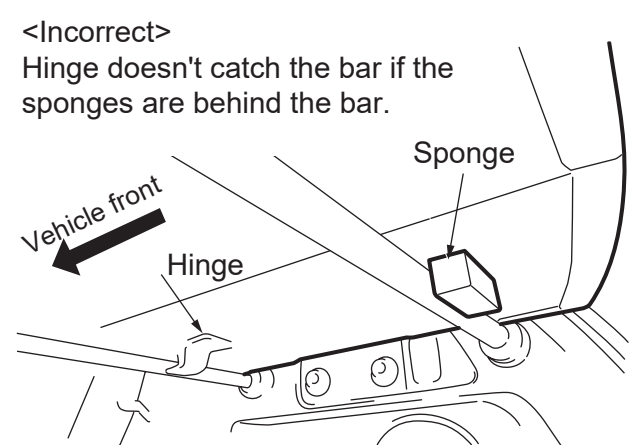
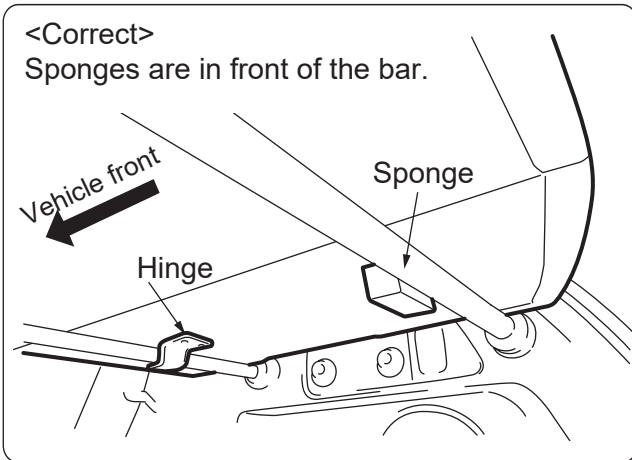
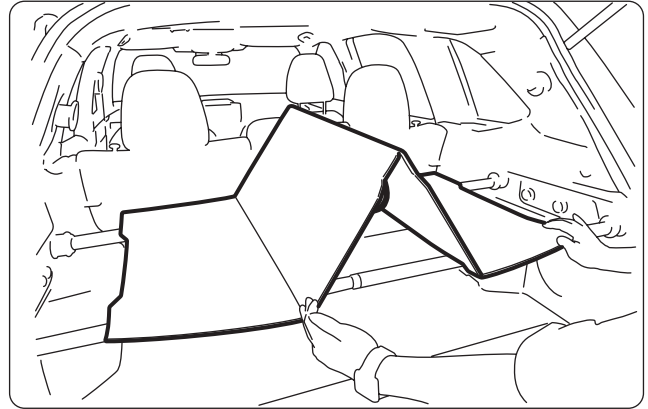
Post-Installation Check

- Make sure that there is no rattling or looseness of each Utility bars.



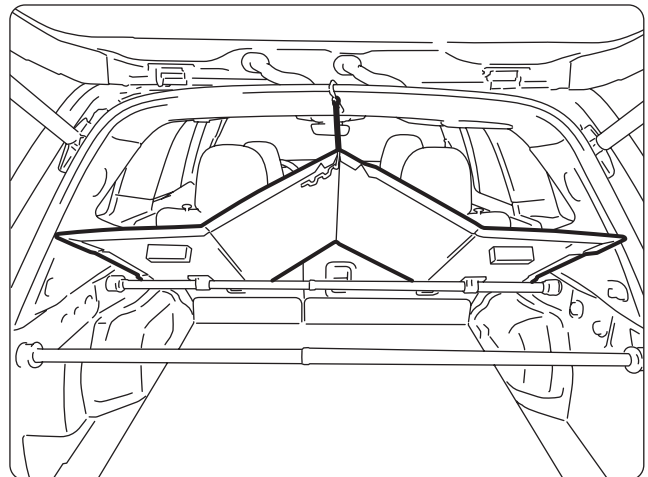
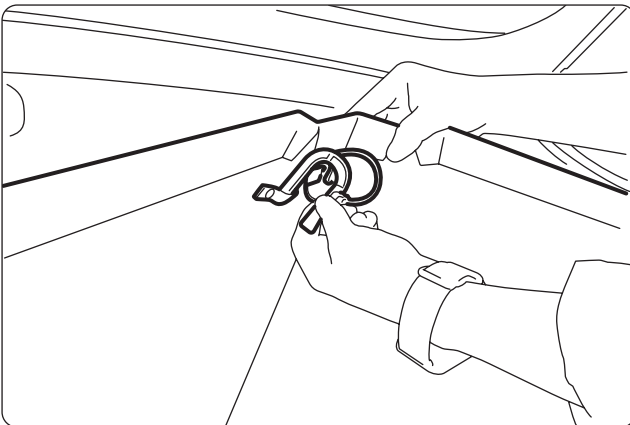
6. Expand the Cargo shelf and put on the Utility Bars. Make sure that the sponge which is attached on the back side of the shelf is positioned inside the bar.

Refer the figure below to make sure that the front/rear direction and the position of the sponges are correct.



<Usage example>

Make the J-shaped hook and hang it to the top of the rear gate to temporarily hold the board in opening state.



Revised Content

Δ	Content	Date
Δ 00	Created New	2023. 10. 06
Δ 01		
Δ 02		