



UTILITY HOOK RR GATE

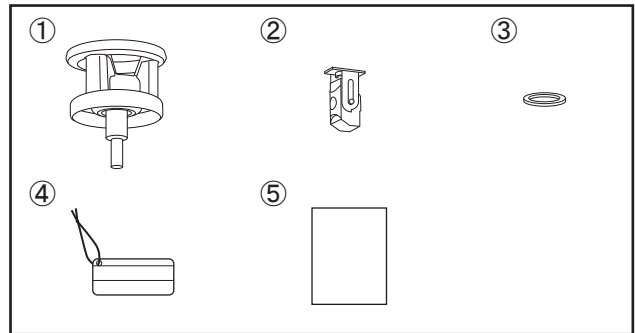
Installation Manual

Genuine Part Number F 5 5 1 0 S L 0 5 0 F O R E S T
 Applicable Car Model E R 2 0 2 5 M Y ~

F5510SL060 (For Non-Power Rear Gate models requires the use of the Rear Gate Stopper - Part Number J2010SL200)

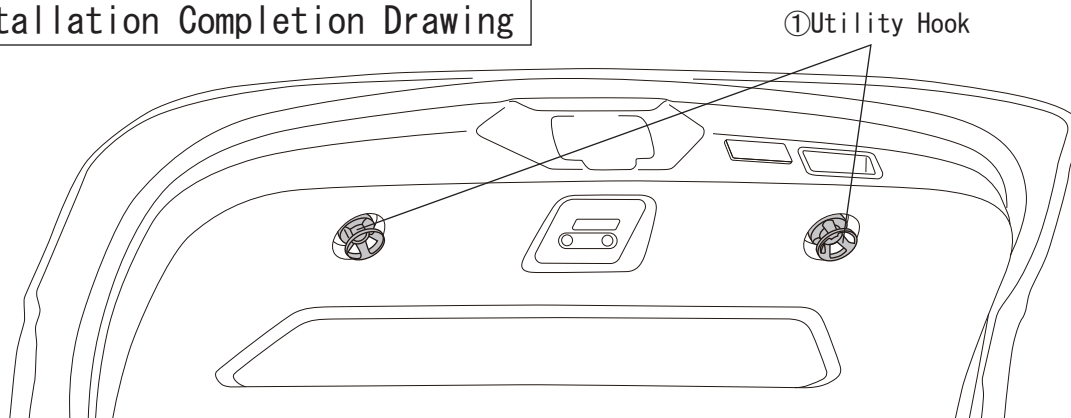
Component Parts

No.	Part Name	Quantity
①	Utility Hook	2
②	Turn Nut	2
③	Washer	2
④	Caution Label	1
⑤	Instruction Manual	1



Tools used flat blade screwdriver

Installation Completion Drawing



Precautions for installation

⚠ Caution

Make sure to install the utility hook correctly according to the installation manual.

Installation Instructions

1. Remove the TRIM COVER of the rear gate with a flat blade screwdriver.

⚠ Caution

The removed trim covers will not be re-used. Place trim covers in glove box.

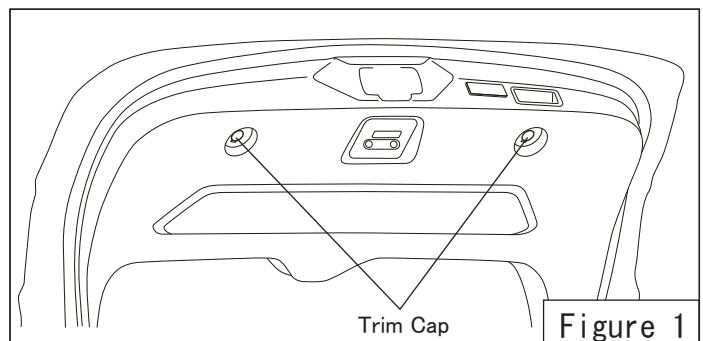
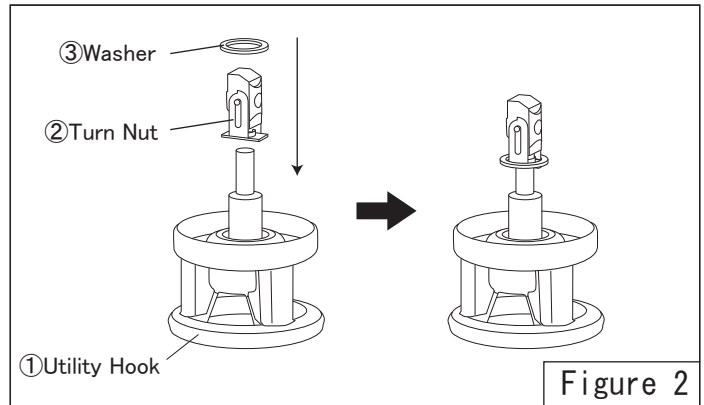


Figure 1

- Fit the washer ③ to the turn nut ②, and temporarily insert it into the screw part of the utility hook ①.



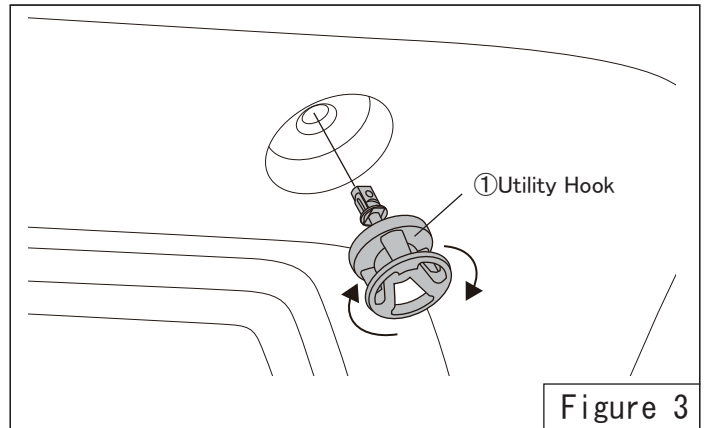
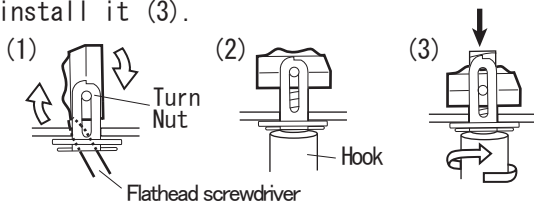
- Turn the utility hook ① clockwise by hand to install it to the rear gate.

⚠ Caution

When fastening the utility hook ①, install it securely until it touches the vehicle trim and the utility hook ① does not rattle and turn.

👉 Tip

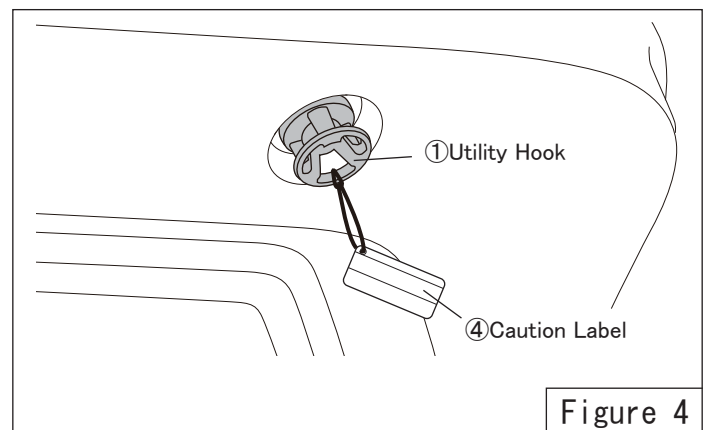
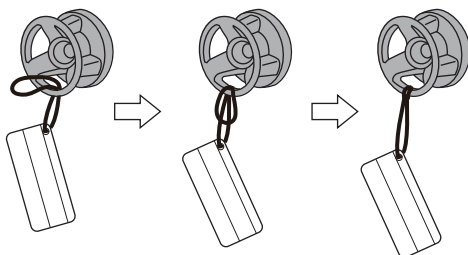
Make sure that the screws are tightened before installing the hooks. If the hook spins freely, use a flathead screwdriver to correct the direction of the turn nut (1) and check that the screws are tightened again (2). After checking, pull the hook downward and move the turn nut downward to install it (3).



- Tie on the caution label ④ to the installed utility hook ①.

👉 Tip

[Reference] How to tie on the caution label ④



Post-Installation Check

Check the following content.

- Check that there is no rattling or looseness in the utility hook.
- Check if the caution label is tied on to the utility hook.

Revised Content

Δ	Content	Date
Δ 00	Created New	2023. 9. 13
Δ 01		
Δ 02		