



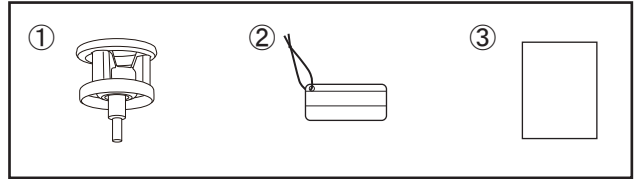
# UTILITY HOOK

## Installation Manual

Genuine Part Number      F 5 5 1 0 S L 0 1 0 F O R E S T  
 Applicable Car Model      E R   2 0 2 5 M Y ~

### Component Parts

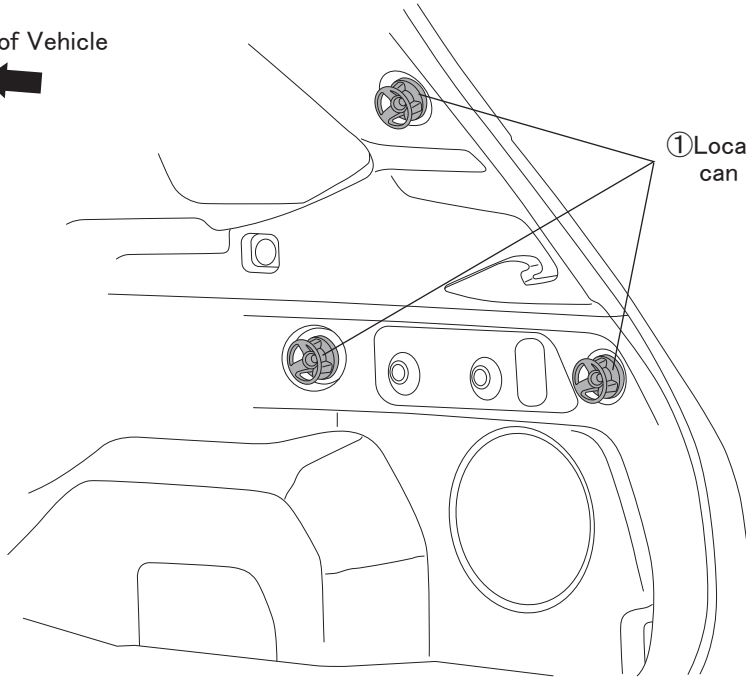
No.	Part Name	Quantity
①	Utility Hook	2
②	Caution Label	1
③	Instruction Manual	1



**Tools used**      Flat blade screwdriver

### Installation Completion Drawing

Front of Vehicle



① Locations where utility hooks can be installed (symmetrical)

### Precautions for Installation



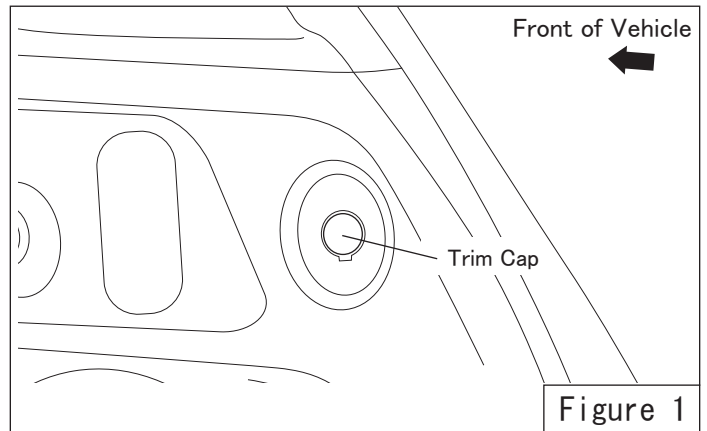
Make sure to install the utility hook correctly according to the installation manual.

## Installation Instructions

1. Remove the trim cap with flat-blade screwdriver.

### ⚠ Caution

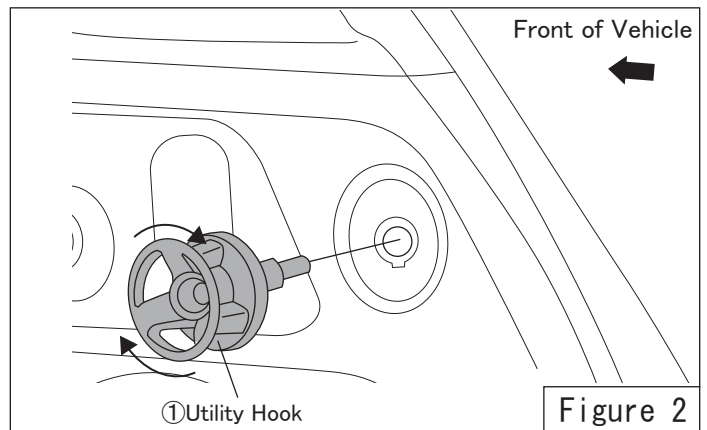
The removed trim covers will not be re-used. Place trim covers in glove box.



2. Turn the utility hook ① clockwise by hand to install it to the trim.

### ⚠ Caution

When fastening the utility hook ①, install it securely until it touches the vehicle trim and the utility hook ① does not rattle and turn.

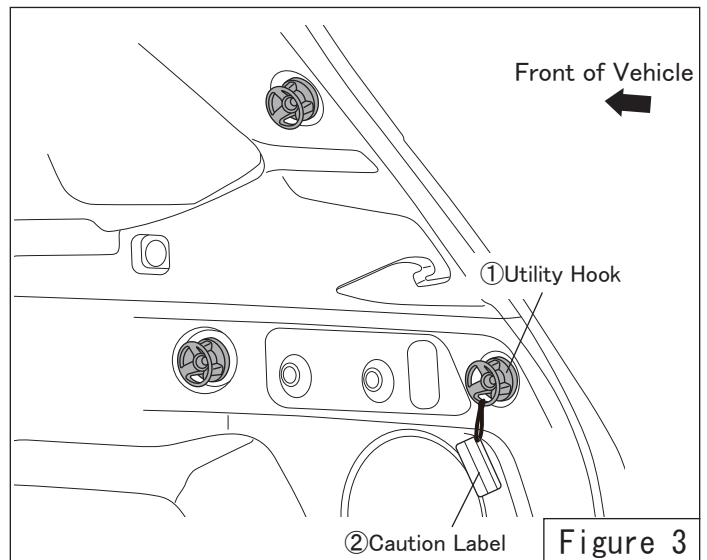
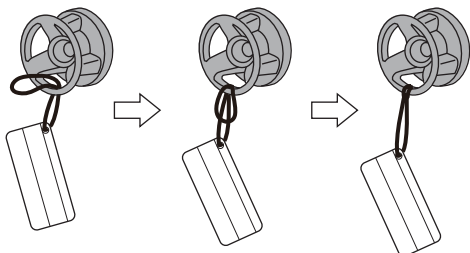


3. Tie on the caution label ② to the vehicle rear side of the utility hooks ① installed with reference to Figure 3.

<When installing 3 sets (6 in total)>  
Please hand over the unused caution label ② to the customer.

### 👉 Tip

[Reference] How to tie on the caution label ②



## Post-Installation Check

Check the following content.

- Check that there is no rattling or looseness in the utility hook.
- Check if the caution label is tied on to the utility hook.
- When attaching the utility bar, make sure to insert it into the hole in the center of the hook. Attaching to other parts will cause damage to the hook.

Revised Content

Δ	Content	Date
Δ 00	Created New	2023. 9. 13
Δ 01		
Δ 02		