



Moonroof Air Deflector

Instruction Manual

PART NUMBER F5410SL000

APPLICABLE MODEL FORESTER

This instruction manual explains the installation procedure of the Moonroof Air Deflector.

Note

1. Before installing the Moonroof Air Deflector, read this manual thoroughly and install correctly. Never modify the product before the installation.
2. Descriptions under the △ caution mark in this instruction manual are for safety matters regarding the installation. Be sure to follow the cautions.
3. If any failure occurs by not following the caution, please note that we may not take any responsibility.

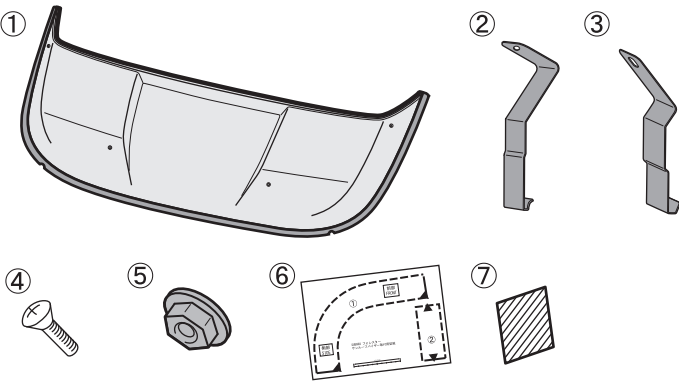
 Precautions

1. Before start installing the Moonroof Air Deflector, fully open the moonroof. Then turn off the ignition switch and apply the parking brake securely.
2. Two people should be engaged in the installation.
3. The protect sheet is attached to the fastening surface between the product and the vehicle. Before starting the installation, wipe the dirt, dust, and oil from the surface to attach the protect sheet with clean cloth. When wiped with cleaner, attached oil can be removed well.
4. The product is made of resin; therefore, handle carefully not to bend forcibly or make flaws.
5. After checking the installation, open/close the moonroof for several times in order to check that the smooth operation of the moonroof.
6. Do not use an automatic car-washing machine.

Revision content

△	Content	Date of creation
△ 0	New	2023.12.08

Component

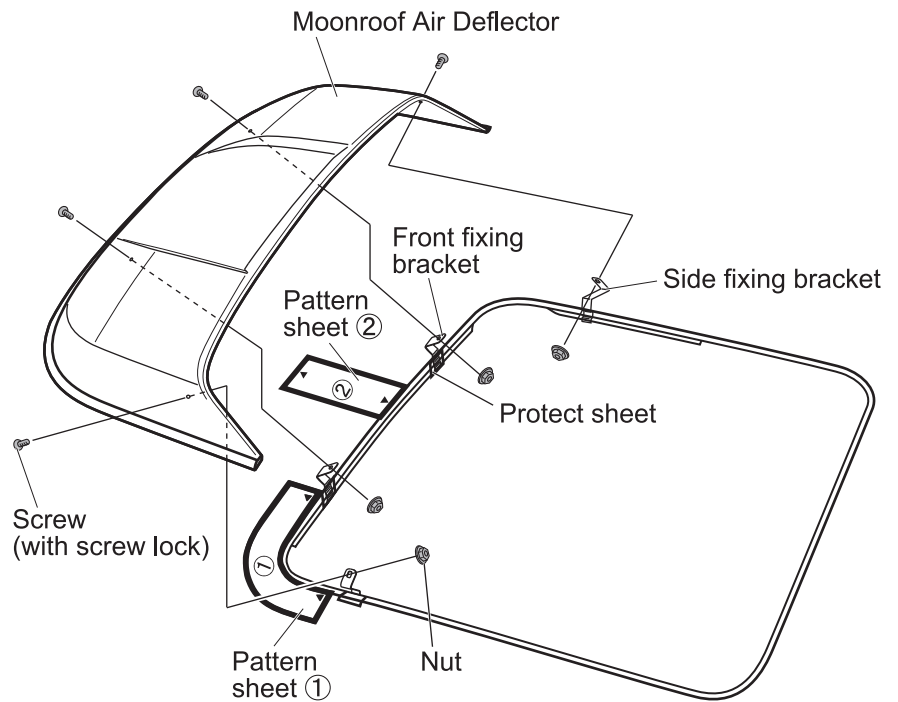


No.	Part	Quantity	Repair part number
①	Moonroof Air Deflector	1	
②	Front fixing bracket	2	
③	Side fixing bracket	2	
④	Screw (with screw lock)	4	
⑤	Nut	4	
⑥	Pattern sheet	1	
⑦	Protect sheet	4	

Tools

- Cleaner
- Cloth
- Scale
- Masking tape
- Scissors
- Wrench (9/32" [7mm])
- Phillips-head screw driver (with torque control function)

Outline drawing of product



Tips for installation

⚠ Caution

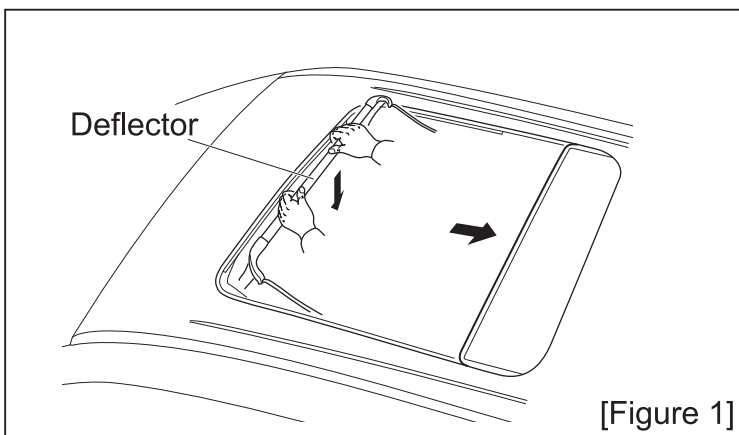
- Park the vehicle at a flat and sufficiently large place for the safe operation.
- Stop the engine, activate the parking brake, and keep the vehicle in a stable condition while operating.
- Cut the Pattern sheet in advance. In addition, the Pattern sheets are for both right side and left side. Check the indications on the Pattern sheets and use for both sides.

1. Preparation before installation

- (1) Fully open the moonroof and turn off the ignition switch.
- (2) Keep the deflector downward by using both hands. [Figure 1]

⚠ Caution

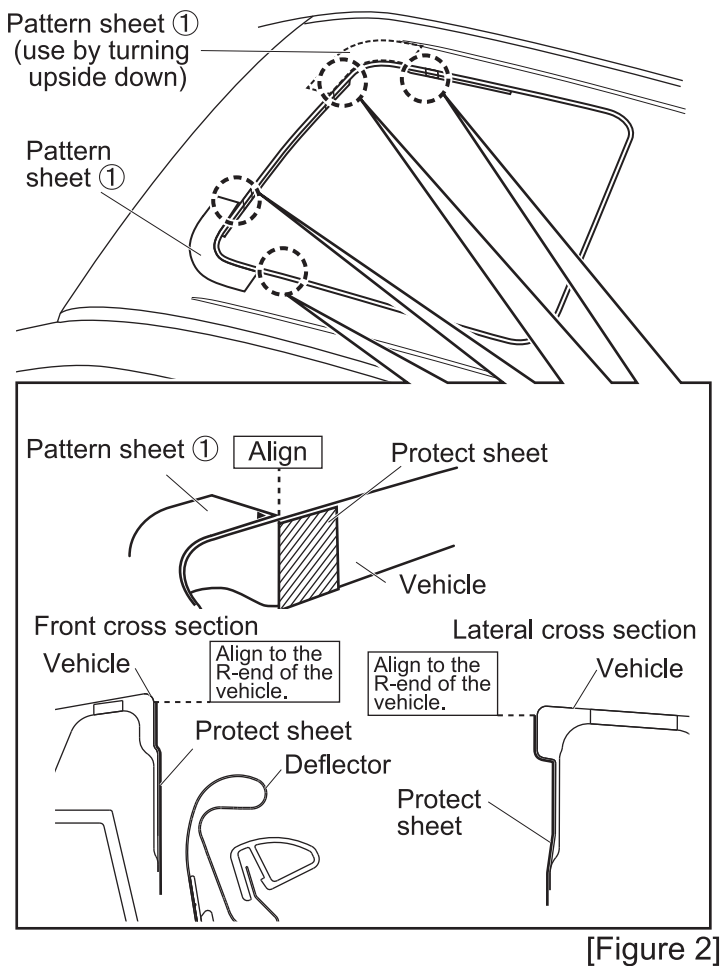
- The deflector moves up if the hands holding the deflector are released. Conduct the operations by keeping the deflector pressed down.



[Figure 1]

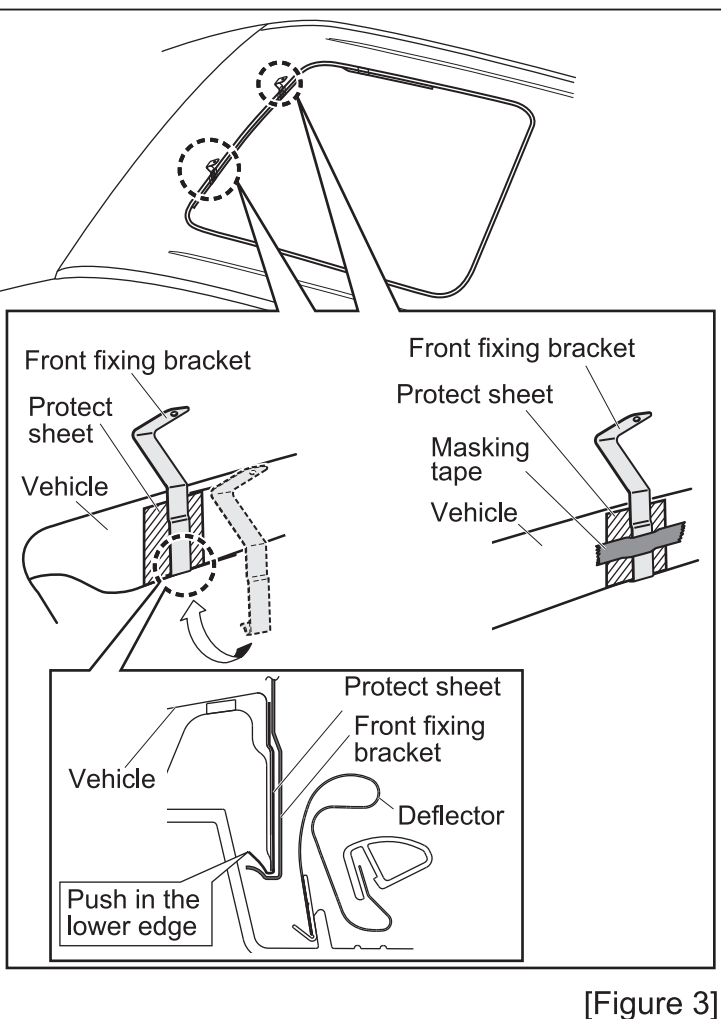
2. Attachment of the protect sheet

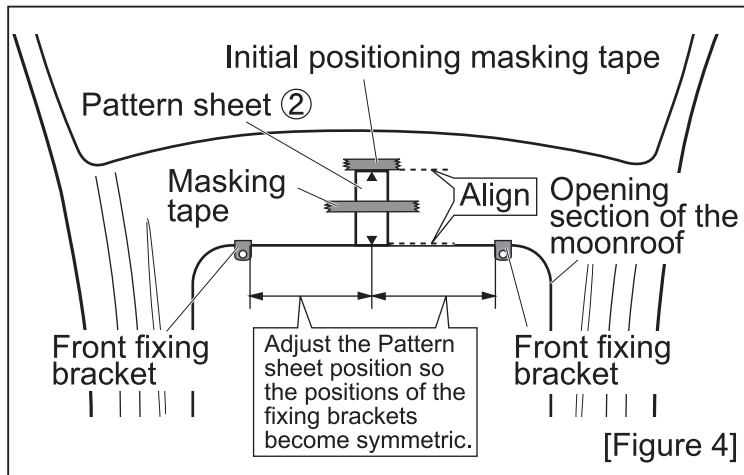
- (1) Cut the Pattern sheets ① and ② by the line on the Pattern sheet by using scissors.
- (2) Press the Pattern sheet ① against the moonroof opening edge along the indicated line on the Pattern sheet ①.
- (3) Attach the protect sheet by aligning the upper corner to the position instructed on the Pattern sheet for the right and the left position, and by aligning to the moonroof R-end for the up and down position. (Four sections) The figure indicates the left side. [Figure 2]



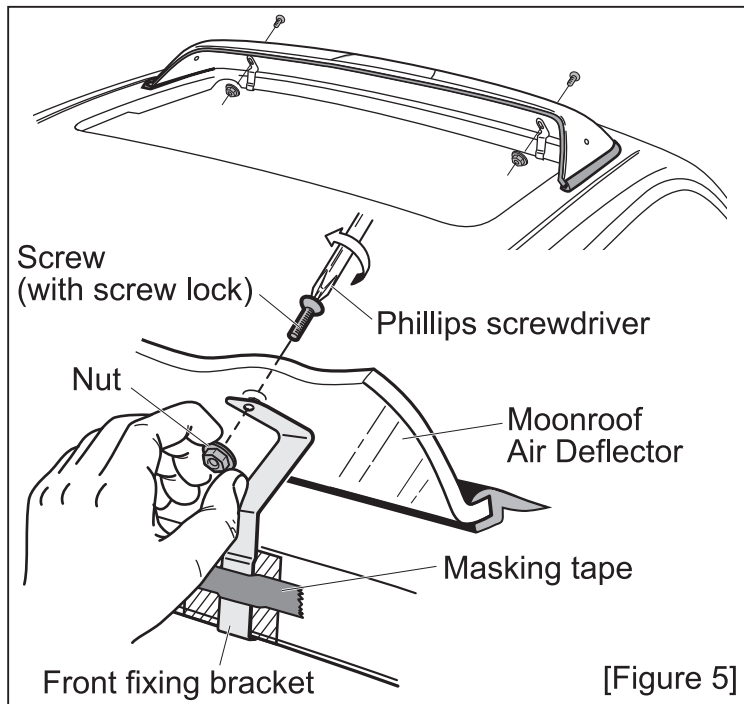
3. Temporary fixing of the front fixing bracket

- (1) Align the front fixing bracket to the center of the protect sheet. At that time, push in the lower edge of the protect sheet to inside of the vehicle roof by using the front fixing bracket. (Two sections) [Figure 3]
- (2) Raise the front fixing bracket and hook to the lower edge of the flange. Temporarily fix with the masking tape. (Two sections) [Figure 3]





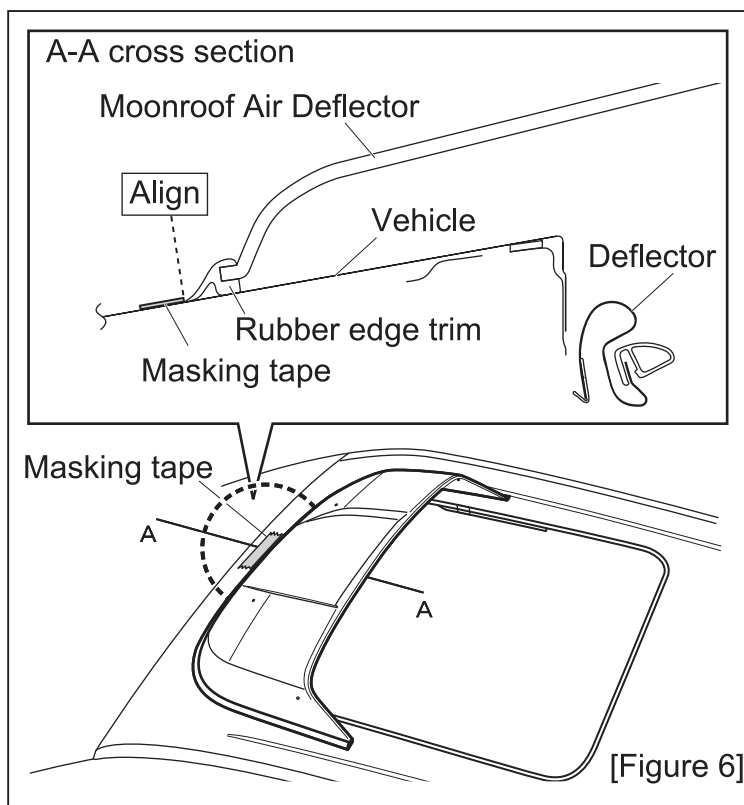
- (3) Align the Pattern sheet ② against the moonroof opening edge according to the indication on the Pattern sheet ②. Fix with the masking tape. [Figure 4]
- (4) Apply masking tape for initial positioning to the vehicle in accordance with the front terminal of the fixed stencil ②. [Figure 4]
- (5) Remove the Pattern sheet ②.



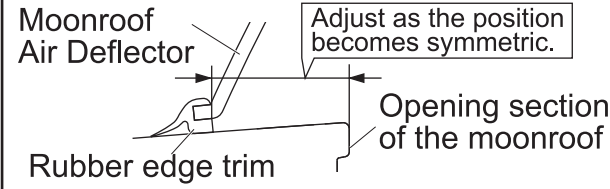
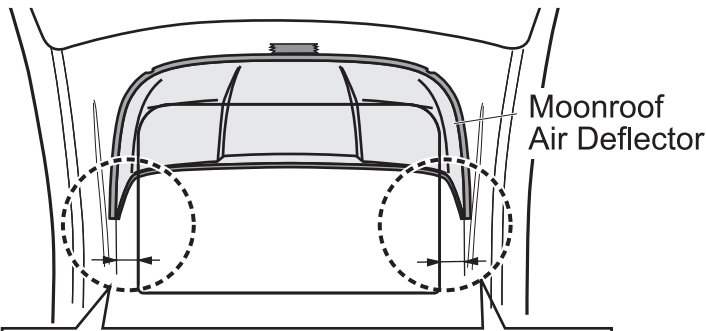
- (6) Mount the Moonroof Air Deflector on the vehicle roof. Align the Moonroof Air Deflector mounting hole and the front fixing bracket mounting hole. Temporarily fix with the screw (with screw lock) and the nut. Remove the masking tape attached on the front fixing bracket. (Two sections) [Figure 5]

⚠ Caution

- When temporary tightening of the nut is difficult, move the Moonroof Air Deflector backward a little and fix temporarily. Then, align to the standard position.



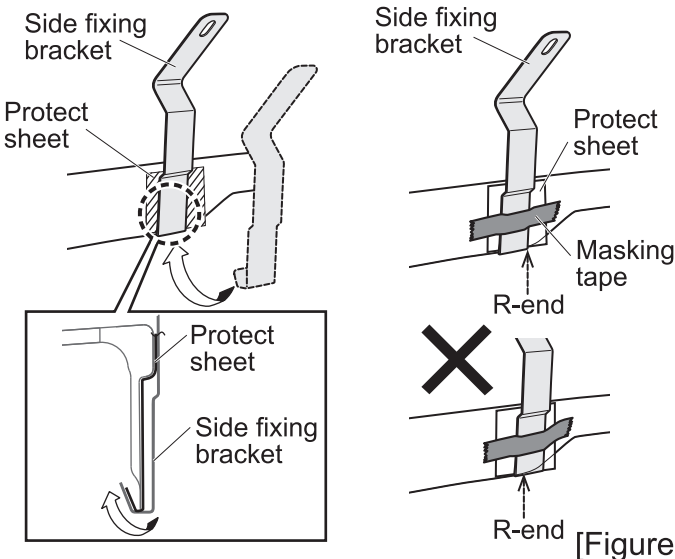
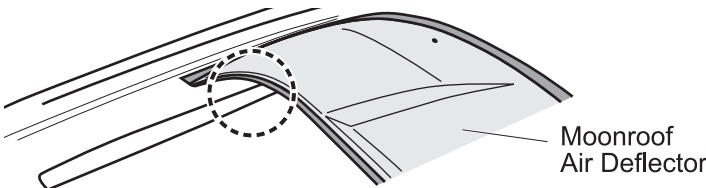
- (7) Align the front end of the rubber trim edge to the masking tape attached on the vehicle. [Figure 6]



[Figure 7]

4. Positioning of the Moonroof Air Deflector

- (1) Align the Moonroof Air Deflector against the moonroof opening section so its position becomes symmetric. [Figure 7]



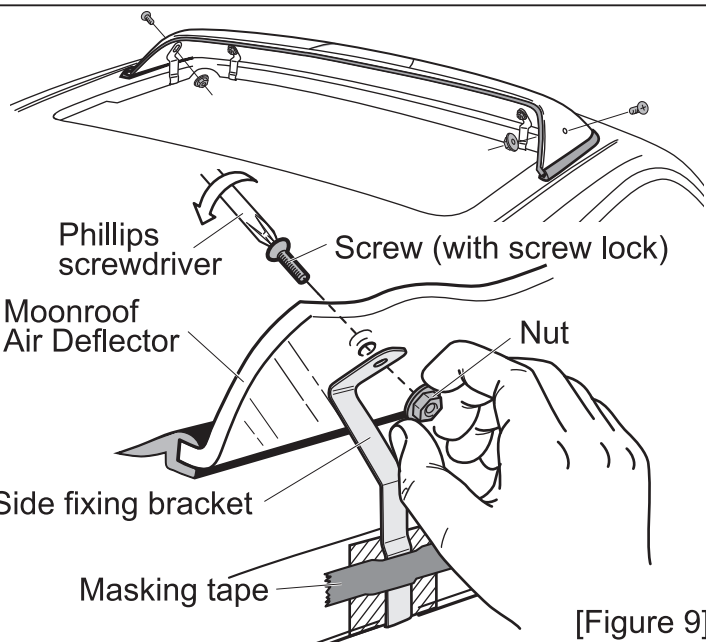
[Figure 8]

5. Temporary fixing of the side fixing bracket

- (1) Align the side fixing bracket to the mounting hole of the Moonroof Air Deflector. At that time, push in the lower edge of the protect sheet to inside of the vehicle roof by using the side fixing bracket. (Two sections) [Figure 8]
- (2) Pull up the side fixing bracket and hook to the lower edge of the flange. Temporarily fix with the masking tape. (Two sections) [Figure 8]

⚠ Caution

Do not install the side mounting brackets forward of the vehicle beyond the R-end.



[Figure 9]

- (3) As conducted with the front fixing bracket, temporarily fix by using the screw (with screw lock) and the nut. Remove the masking tape attached on the side fixing bracket. (Two sections) [Figure 9]

6. Mounting of Moonroof Air Deflector

- (1) Move the Moonroof Air Deflector forward/backward and right/left so the mounting fixing bracket fully contacts the flange surface of the moonroof opening section. (Four sections)
- (2) If the rubber edge trim is curled inside, fix to outside by using fingers. [Figure 10]

⚠ Caution

Conduct operations thoroughly; otherwise, rain water may leak from the roof.

- (3) Check that the Moonroof Air Deflector position is symmetric to the moonroof opening section. [Figure 11]
- (4) Remove the masking tape for initial positioning of the front end of the rubber molding on the Moonroof Air Deflector.
- (5) Fully tighten screws (with screw lock) and nuts of each fixing bracket by using a Phillips-head screw driver (with torque control function) and a wrench. (Torque : 1.4 ± 0.2 Nm)

⚠ Caution

- Turn the screws (with screw lock) for final tightening of the screw (with screw lock) and the nut. Excessive tightening of the nuts may break the vehicle and the fixing bracket.
- When tightening the screws (with screw lock), tighten four screws uniformly.
- Check that the rubber edge trim is not curled in.

7. Inspection after completion of mounting

- (1) Lightly push and pull the Moonroof Air Deflector up/down and forward/backward, and check that the Moonroof Air Deflector is securely mounted. [Figure 12]
- (2) Operate the moonroof and check that the moonroof properly opens/closes. [Figure 13]

