



**SUBARU**


## Moon Roof Air Deflector

INSTALLATION INSTRUCTION

PART NUMBER	F 5 4 1 0 S J 0 0 1
APPLICABLE MODEL	FORESTER ( 2019 MY )

This instruction manual explains the installation procedure of the Moon Roof Air Deflector.  
Note

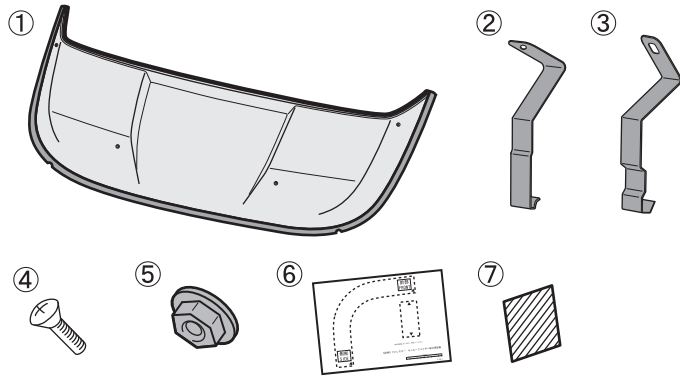
### Note

1. Before installing the Moon Roof Air Deflector, read this manual thoroughly and install correctly. Never modify the product before the installation.
2. Descriptions under the  caution mark in this instruction manual are for safety matters regarding the installation. Be sure to follow the cautions.
3. If any failure occurs by not following the caution, please note that we may not take any responsibility.

### Precautions

1. Before start installing the Moon Roof Air Deflector, fully open the sunroof. Then turn off the ignition switch. In addition, make sure to apply the hand brake.
2. Two people should be engaged in the installation.
3. The protect sheet is attached to the fastening surface between the product and the vehicle. Before starting the installation, wipe the dirt, dust, and oil from the surface to attach the protect sheet with clean cloth. When wiped with cleaner, attached oil can be removed well.
4. The product is made of resin; therefore, handle carefully not to bend forcibly or make flaws.
5. After checking the installation, open/close the sunroof for several times in order to check that the smooth operation of the sunroof.
6. Do not use an automatic car-washing machine.

### Component

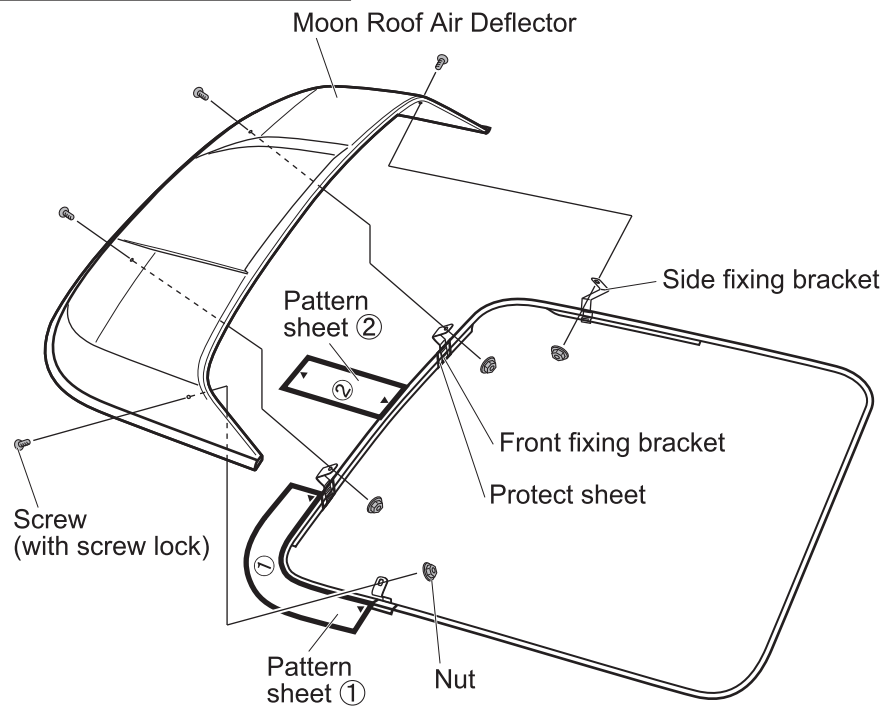


No.	Part	Quantity	Repair part number
①	Moon Roof Air Deflector	1	
②	Front fixing bracket	2	
③	Side fixing bracket	2	
④	Screw (with screw lock)	4	
⑤	Nut	4	
⑥	Pattern sheet	1	
⑦	Protect sheet	4	

### Tools

- Cleaner
- Cloth
- Scale
- Masking tape
- Scissors
- Wrench ( 9/32" [7mm] )
- Phillips-head screw driver (with torque control function)

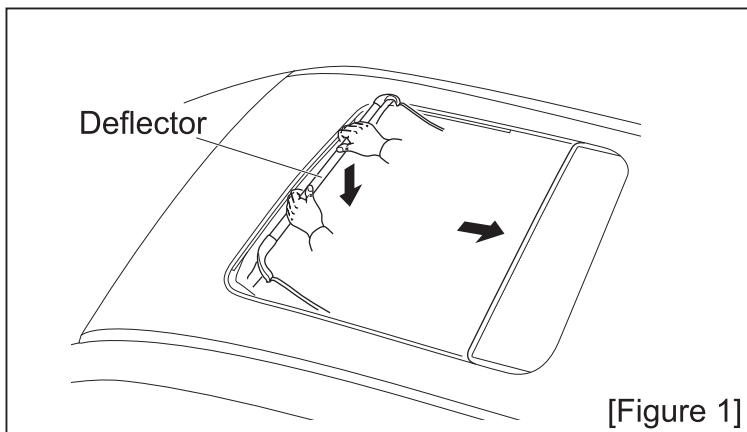
### Outline drawing of product



### Tips for installation

#### ⚠ Caution

- Park the vehicle at a flat and sufficiently large place for the safe operation.
- Stop the engine, apply the hand brake, and keep the vehicle in a stable condition while operating.
- Cut the Pattern sheet in advance. In addition, the Pattern sheets are for both right side and left side. Check the indications on the Pattern sheets and use for both sides.

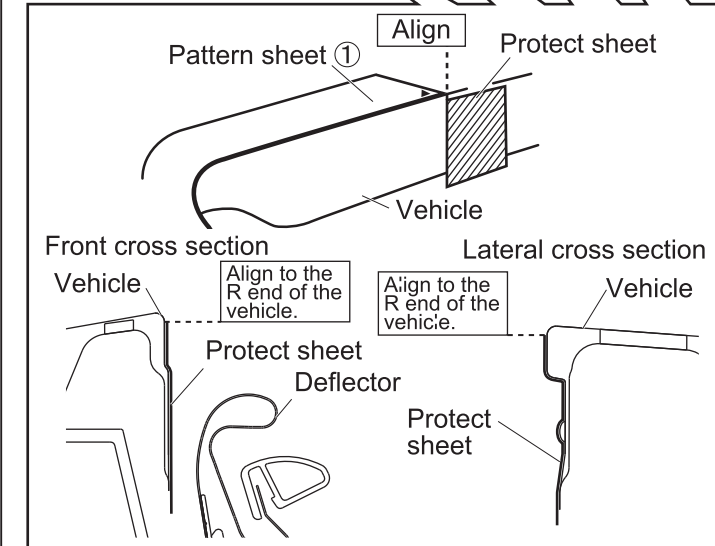
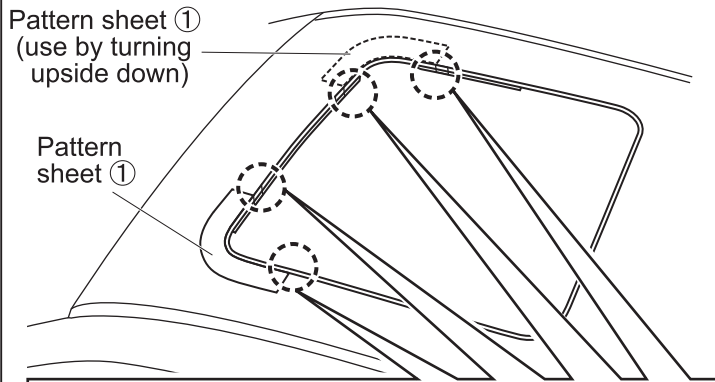


### 1. Preparation before installation

- (1) Fully open the sunroof and turn off the ignition switch.
- (2) Keep the deflector downward by using both hands. [Figure 1]

#### ⚠ Caution

- The deflector moves up if the hands holding the deflector are released. Conduct the operations by keeping the deflector pressed down.



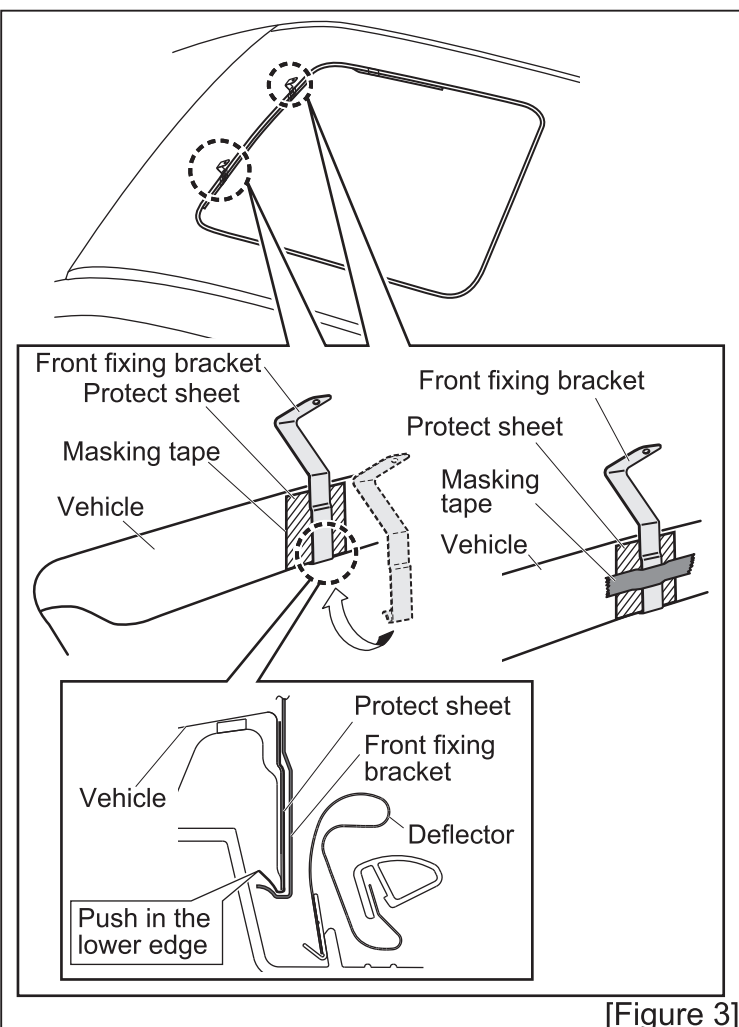
[Figure 2]

## 2. Attachment of the protect sheet

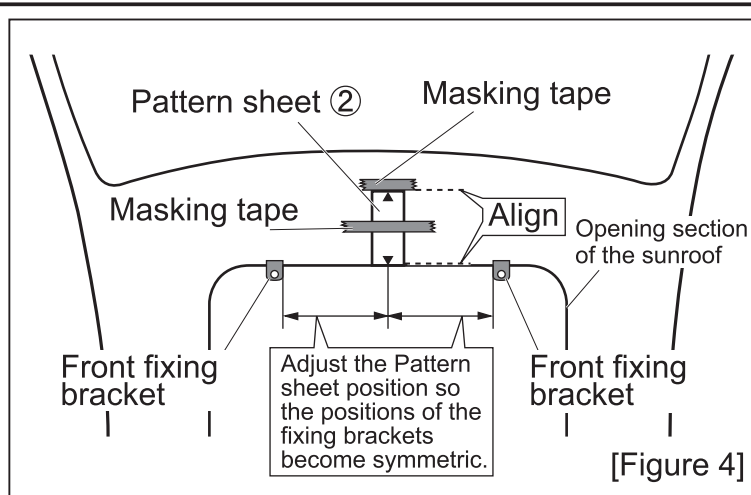
- (1) Cut the Pattern sheets ① and ② by the line on the Pattern sheet by using scissors.
- (2) Press the Pattern sheet ① against the sunroof opening edge along the indicated line on the Pattern sheet ① .
- (3) Attach the protect sheet by aligning the upper corner to the position instructed on the Pattern sheet for the right and the left position, and by aligning to the sunroof R end for the up and down position. (Four sections) The figure indicates the left side. [Figure 2]

## 3. Temporary fixing of the front fixing bracket

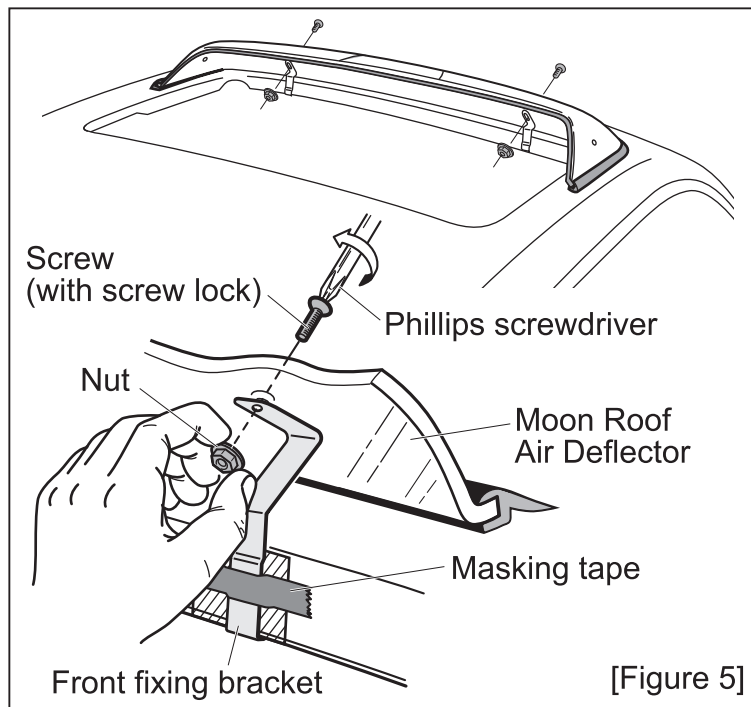
- (1) Align the front fixing bracket to the center of the protect sheet. At that time, push in the lower edge of the protect sheet to inside of the vehicle roof by using the front fixing bracket. (Two sections) [Figure 3]
- (2) Raise the front fixing bracket and hook to the lower edge of the flange. Temporarily fix with the masking tape. (Two sections) [Figure 3]



[Figure 3]



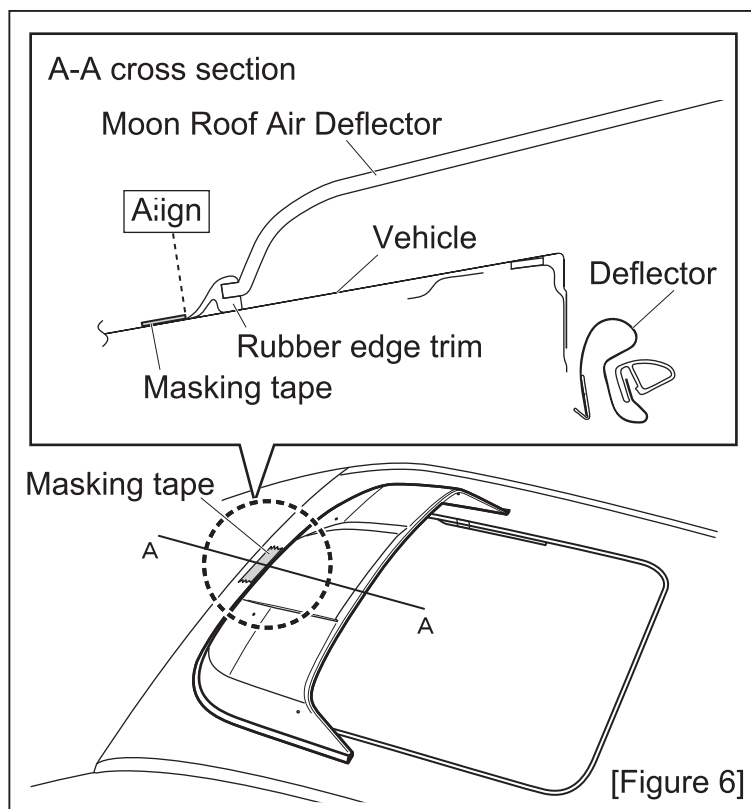
- (3) Align the Pattern sheet ② against the sunroof opening edge according to the indication on the Pattern sheet ②. Fix with the masking tape. [Figure 4]
- (4) Attach the masking tape to the vehicle by aligning to the front edge of the fixed Pattern sheet ②. [Figure 4]
- (5) Remove the Pattern sheet ②.



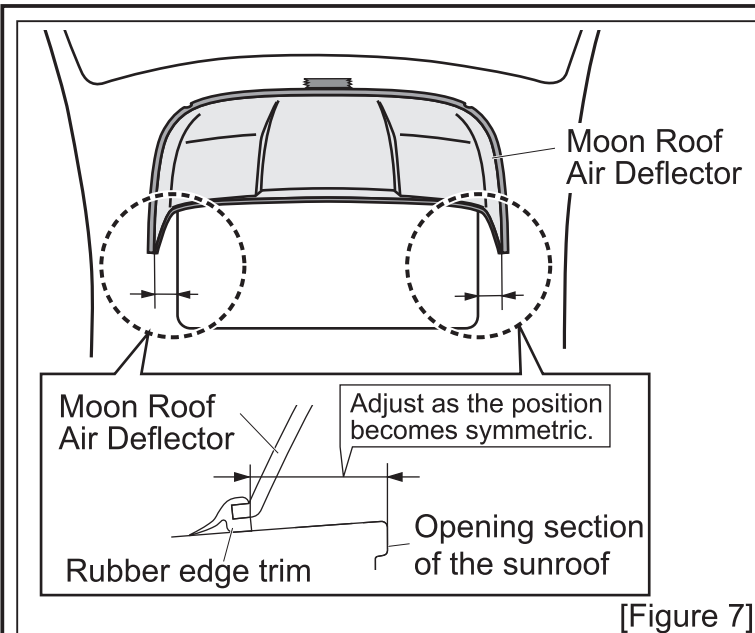
- (6) Mount the Moon Roof Air Deflector on the vehicle roof. Align the Moon Roof Air Deflector mounting hole and the front fixing bracket mounting hole. Temporarily fix with the screw (with screw lock) and the nut. Remove the masking tape attached on the front fixing bracket. (Two sections) [Figure 5]

**⚠ Caution**

- When temporary tightening of the nut is difficult, move the Moon Roof Air Deflector backward a little and fix temporarily. Then, align to the standard position.



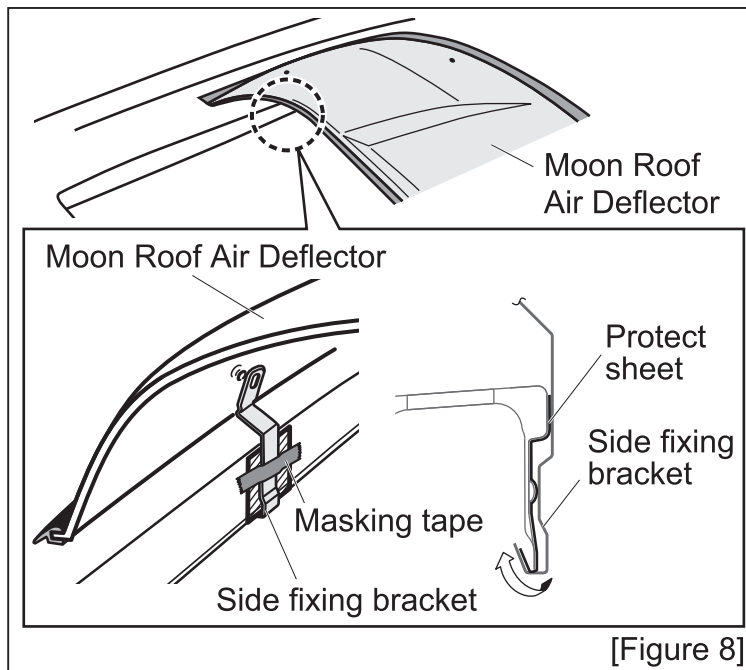
- (7) Align the front end of the rubber trim edge to the masking tape attached on the vehicle. [Figure 6]



[Figure 7]

#### 4. Positioning of the Moon Roof Air Deflector

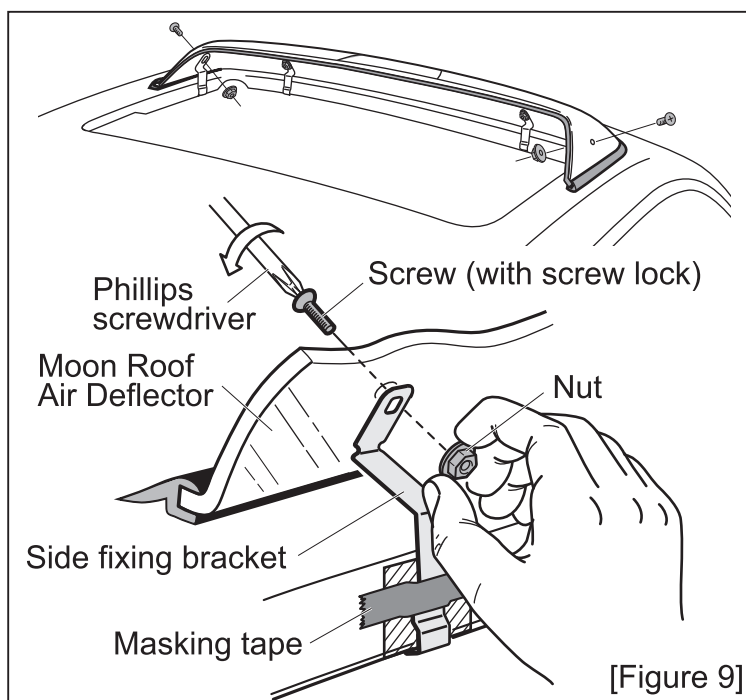
- (1) Align the Moon Roof Air Deflector against the sunroof opening section so its position becomes symmetric. [Figure 7]



[Figure 8]

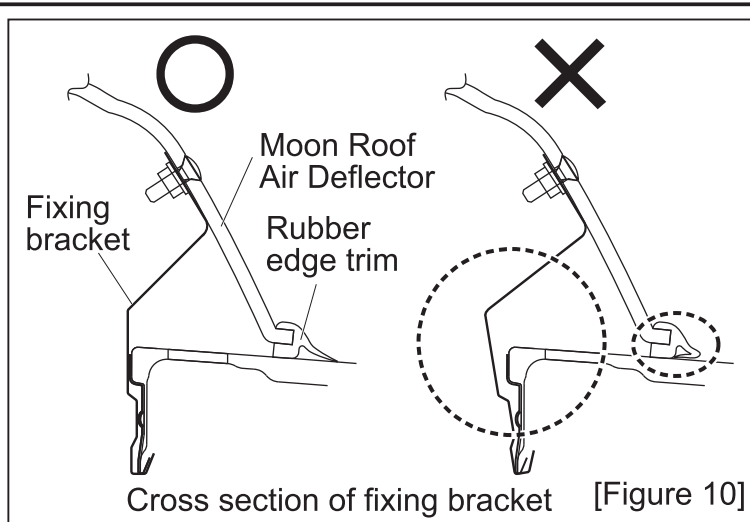
#### 5. Temporary fixing of the side fixing bracket

- (1) Align the side fixing bracket to the mounting hole of the Moon Roof Air Deflector. At that time, push in the lower edge of the protect sheet to inside of the vehicle roof by using the side fixing bracket. (Two sections) [Figure 8]
- (2) Pull up the side fixing bracket and hook to the lower edge of the flange. Temporarily fix with the masking tape. (Two sections) [Figure 8]



[Figure 9]

- (3) As conducted with the front fixing bracket, temporarily fix by using the screw (with screw lock) and the nut. Remove the masking tape attached on the side fixing bracket. (Two sections) [Figure 9]

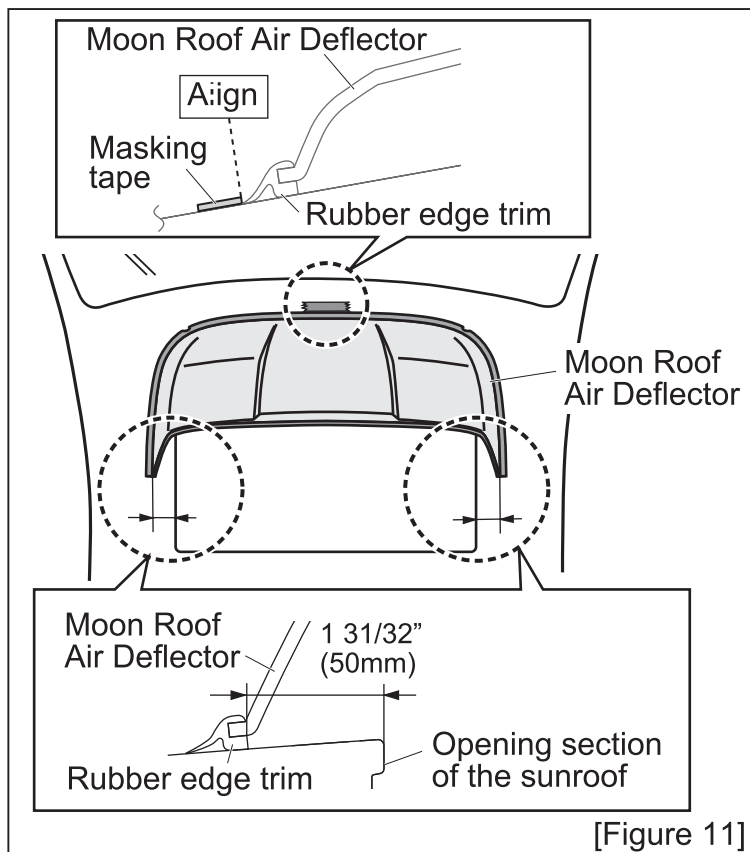


## 6. Mounting of Moon Roof Air Deflector

- (1) Move the Moon Roof Air Deflector forward/backward and right/left so the mounting fixing bracket fully contacts the flange surface of the sunroof opening section. (Four sections)
- (2) If the rubber edge trim is curled inside, fix to outside by using fingers. [Figure 10]

### ⚠ Caution

Conduct operations thoroughly; otherwise, rain water may leak from the roof.



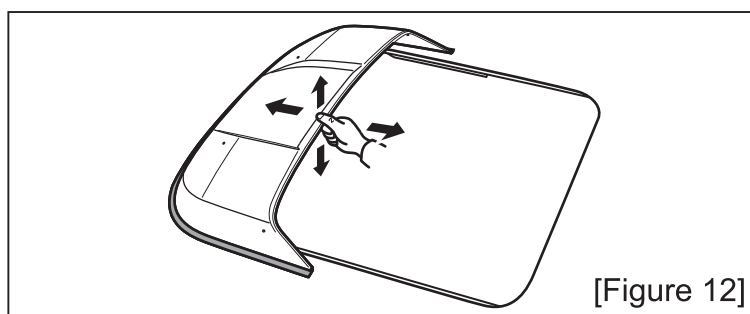
- (1) Check that the position of the masking tape used in 3 (4) and the outer edge of the rubber edge trim are aligned. [Figure 11]
- (2) Check that the dimension is 1 31/32" (50mm) from inner rubber edge trim to the sunroof opening section. [Figure 11]
- (3) Fully tighten screws (with screw lock) and nuts of each fixing bracket by using a Phillips-head screw driver (with torque control function) and a wrench. (Torque : 1.4 ± 0.2 Nm)

### ⚠ Caution

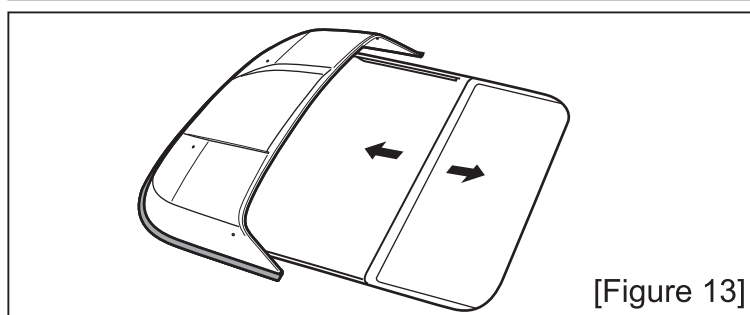
- Turn the screws (with screw lock) for final tightening of the screw (with screw lock) and the nut. Excessive tightening of the nuts may break the vehicle and the fixing bracket.
- When tightening the screws (with screw lock), tighten four screws uniformly.
- Check that the rubber edge trim is not curled in.

- (4) Remove the masking tape.

## 7. Inspection after completion of mounting



- (1) Lightly push and pull the Moon Roof Air Deflector up/down and forward/backward, and check that the Moon Roof Air Deflector is securely mounted. [Figure 12]



- (2) Operate the sunroof and check that the sunroof properly opens/closes. [Figure 13]