



**SUBARU**

# SIDE WINDOW DEFLECTOR

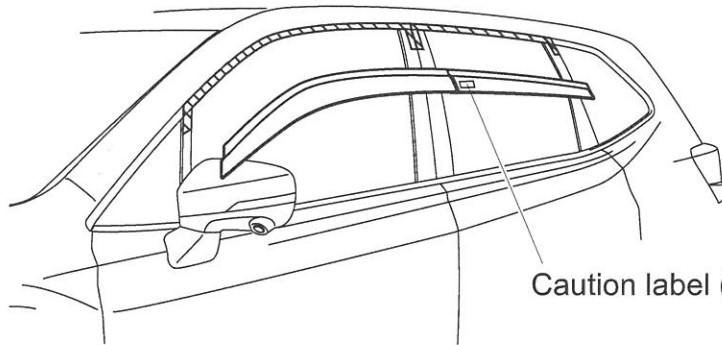
INSTALLATION INSTRUCTION

PART NUMBER

F 0 0 1 0 S J 0 3 0

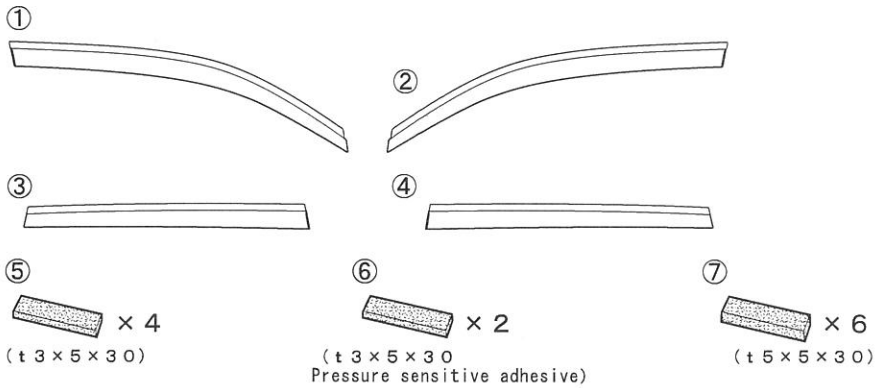
APPLICABLE MODEL

FORESTER (2019 MY)



Caution label (LH only)

Please remove this caution label, in the case of Canadian market.



Gloves



Rag



Isopropyl alcohol



Hair dryer / heat gun

## CAUTION

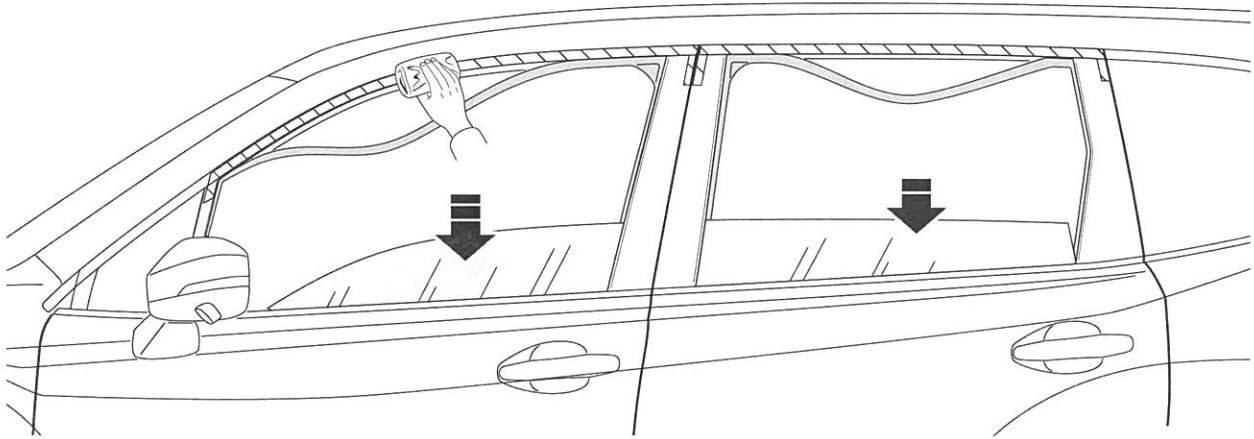
Side window deflectors may not be legal in all states.  
Please check the laws of your state.

Never use gasoline, thinner, acid, alkali, or other organic solvent.



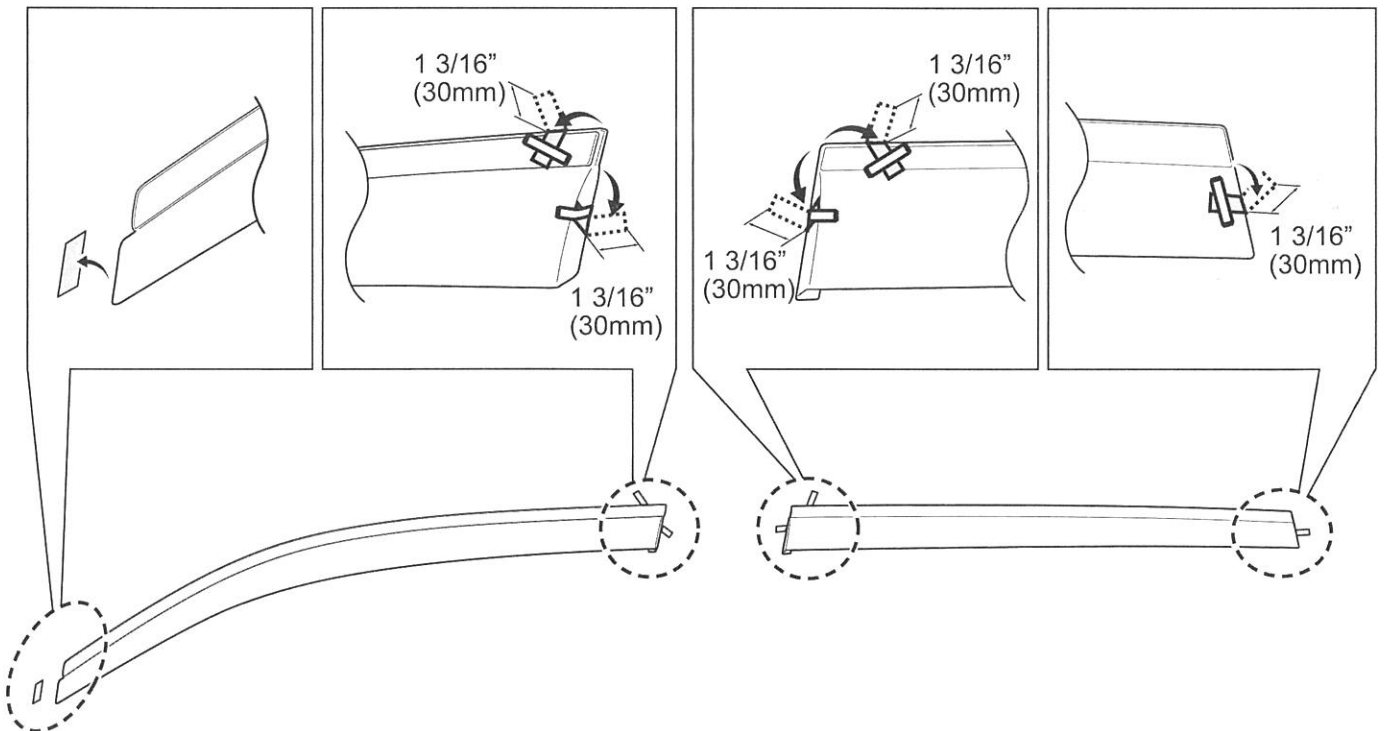
1

- Pull down run channel gaskets in middle area of each window.  
Clean where door visor will contact the door using isopropyl alcohol and rag.



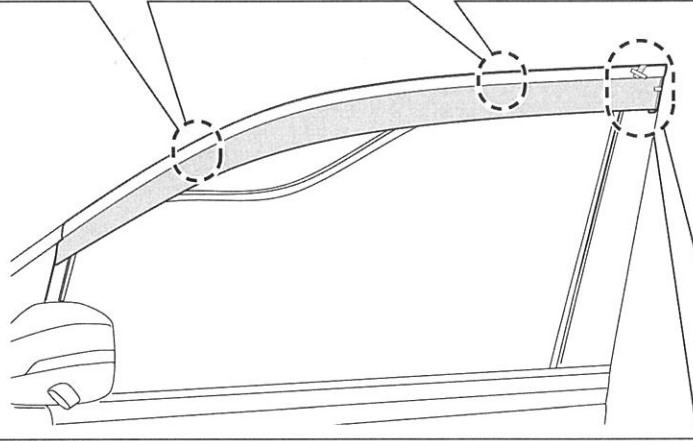
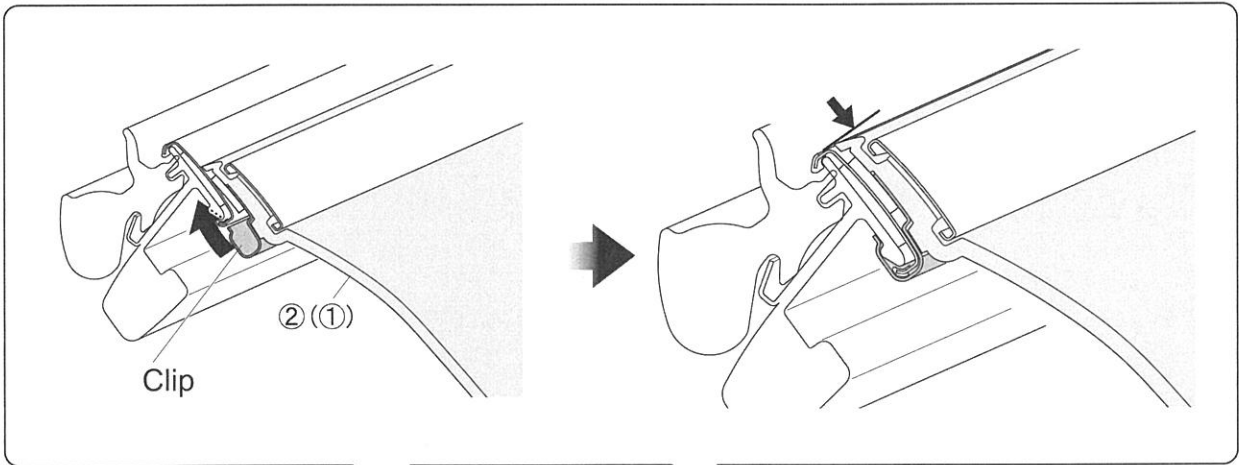
2

- Pull tape backing approximately 1 3/16" (30mm) as shown .



3

• Check for proper alignment of door visor with front door .

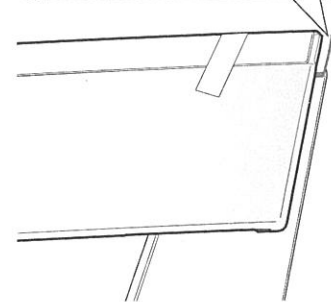
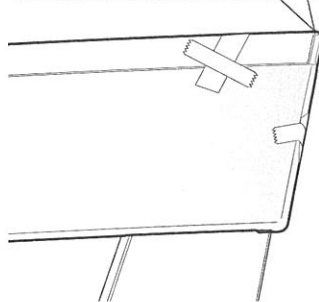
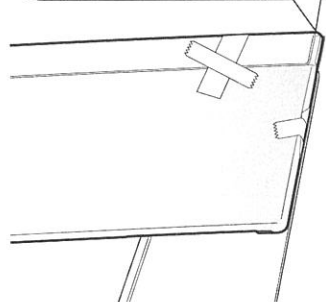
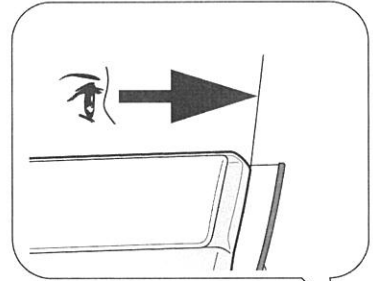
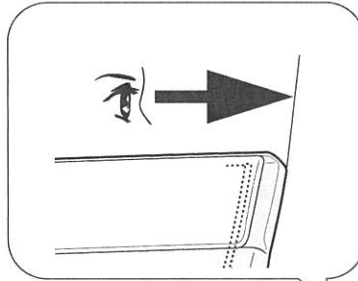
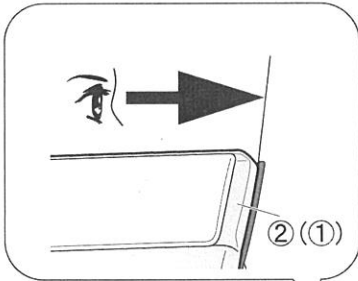


Installation standard

○

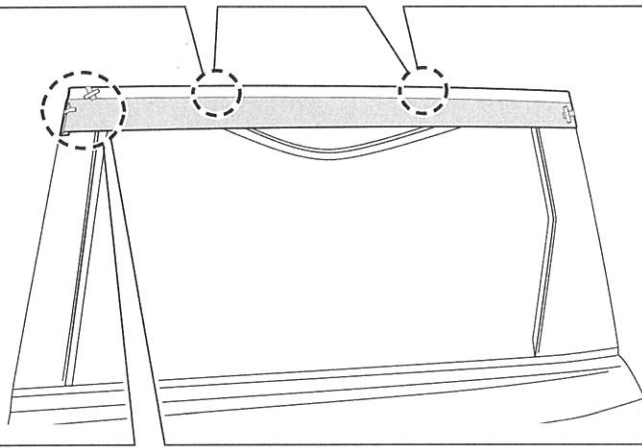
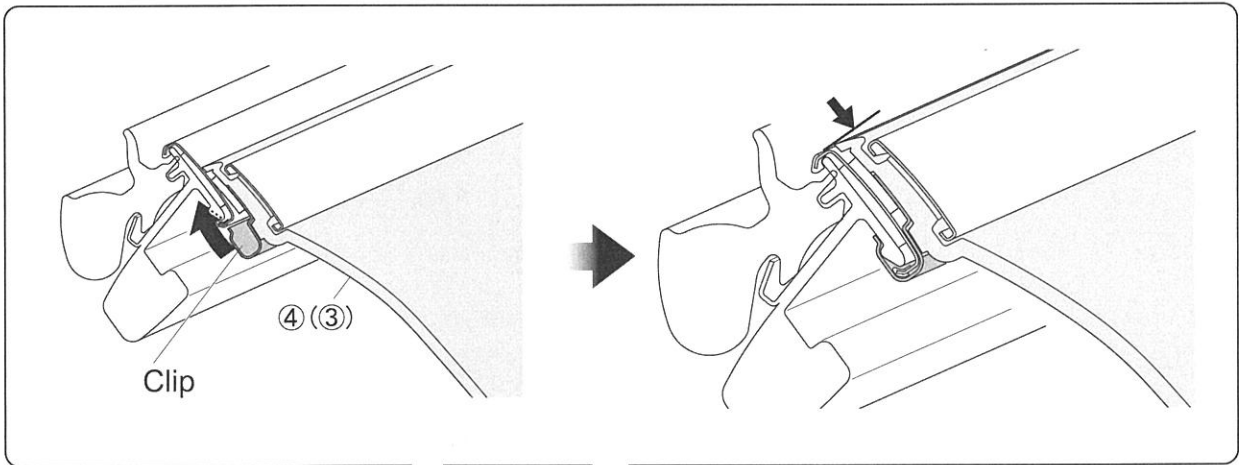
×

×



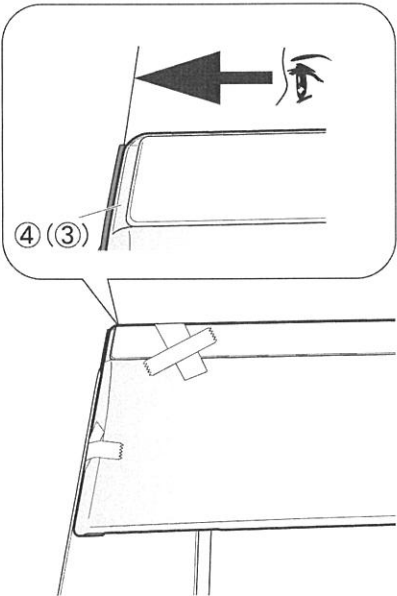
4

• Check for proper alignment of door visor with rear door .

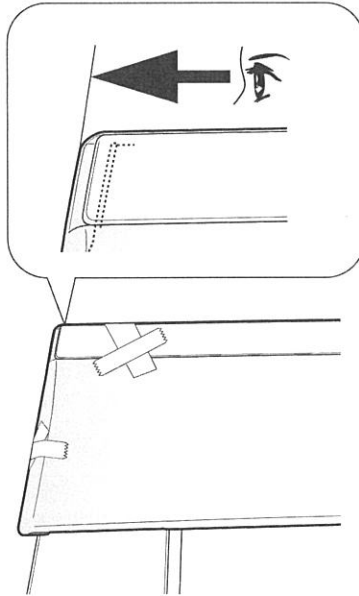


Installation standard

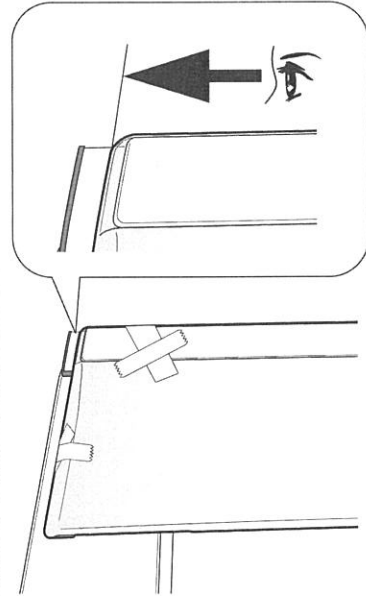
○



×

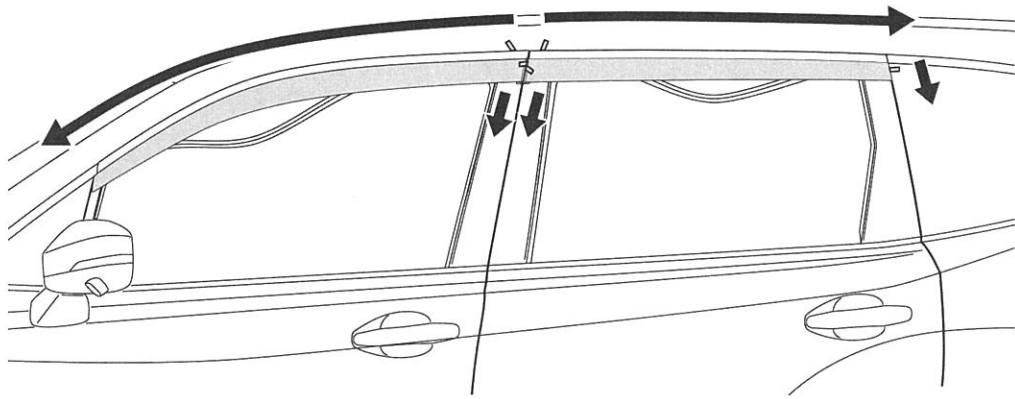


×



6

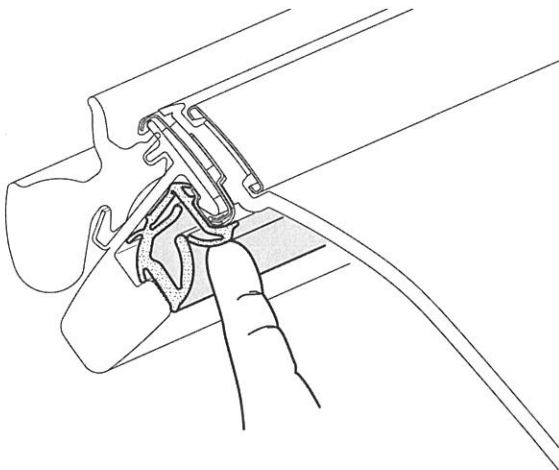
• Pull tape backing in order shown.



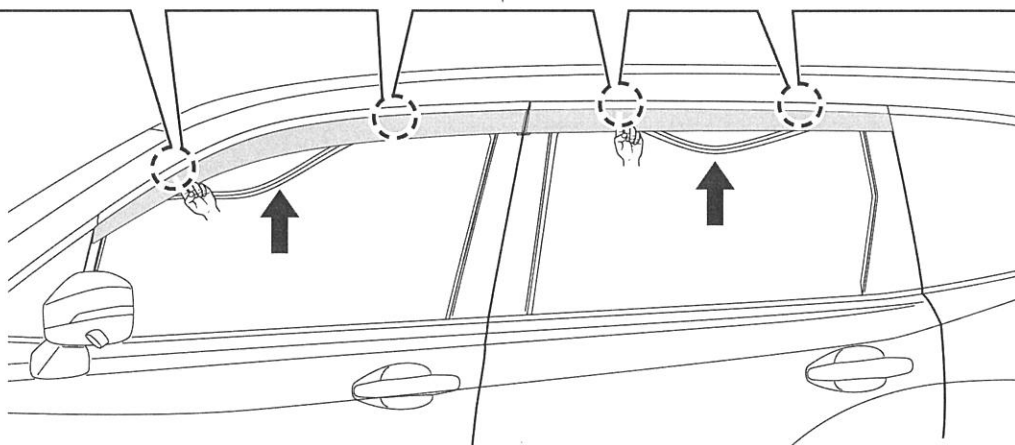
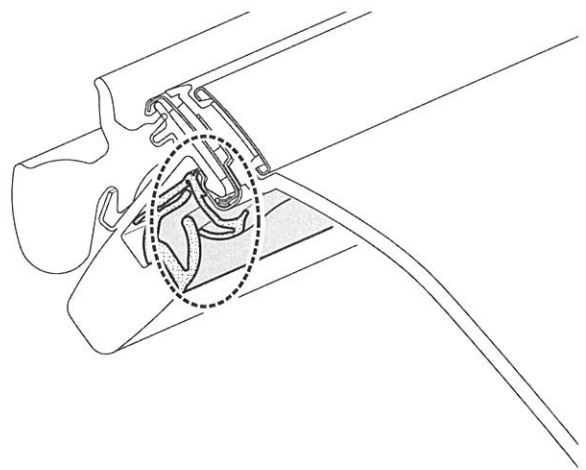
7

• Reinstall the run channel gaskets.

○

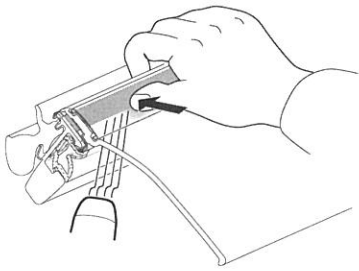


×

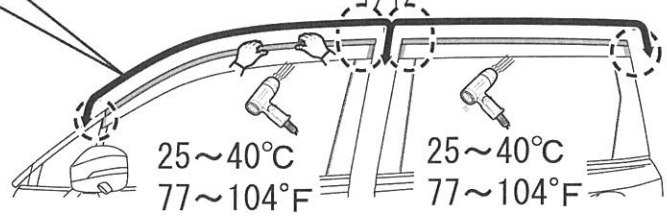
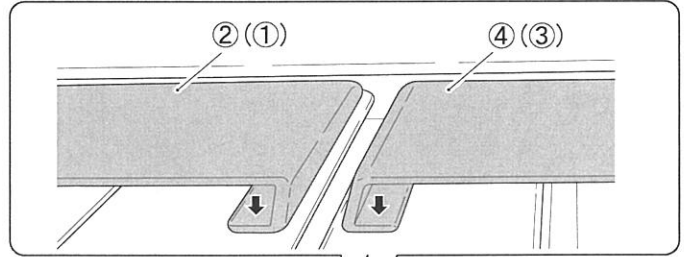
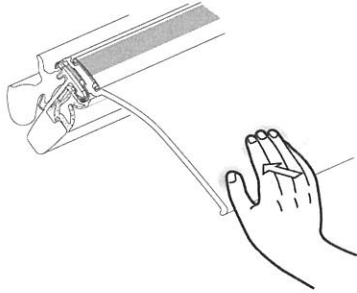


- 8** • Apply firm pressure (approximately 12 lbs) on door visors blade directly over tape area. Do not attempt to seat the tape by pushing on lower portion of the door visors.

○



×

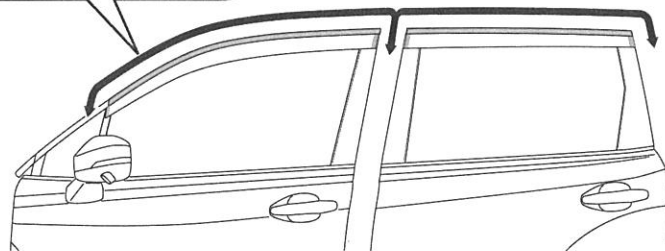
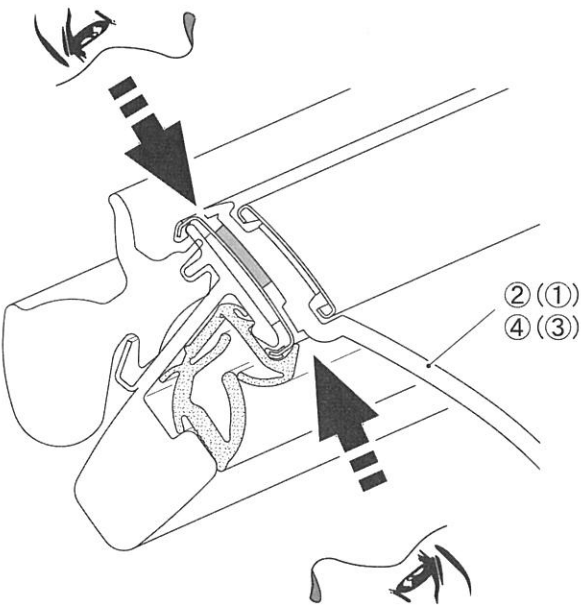


25~40°C  
77~104°F

25~40°C  
77~104°F

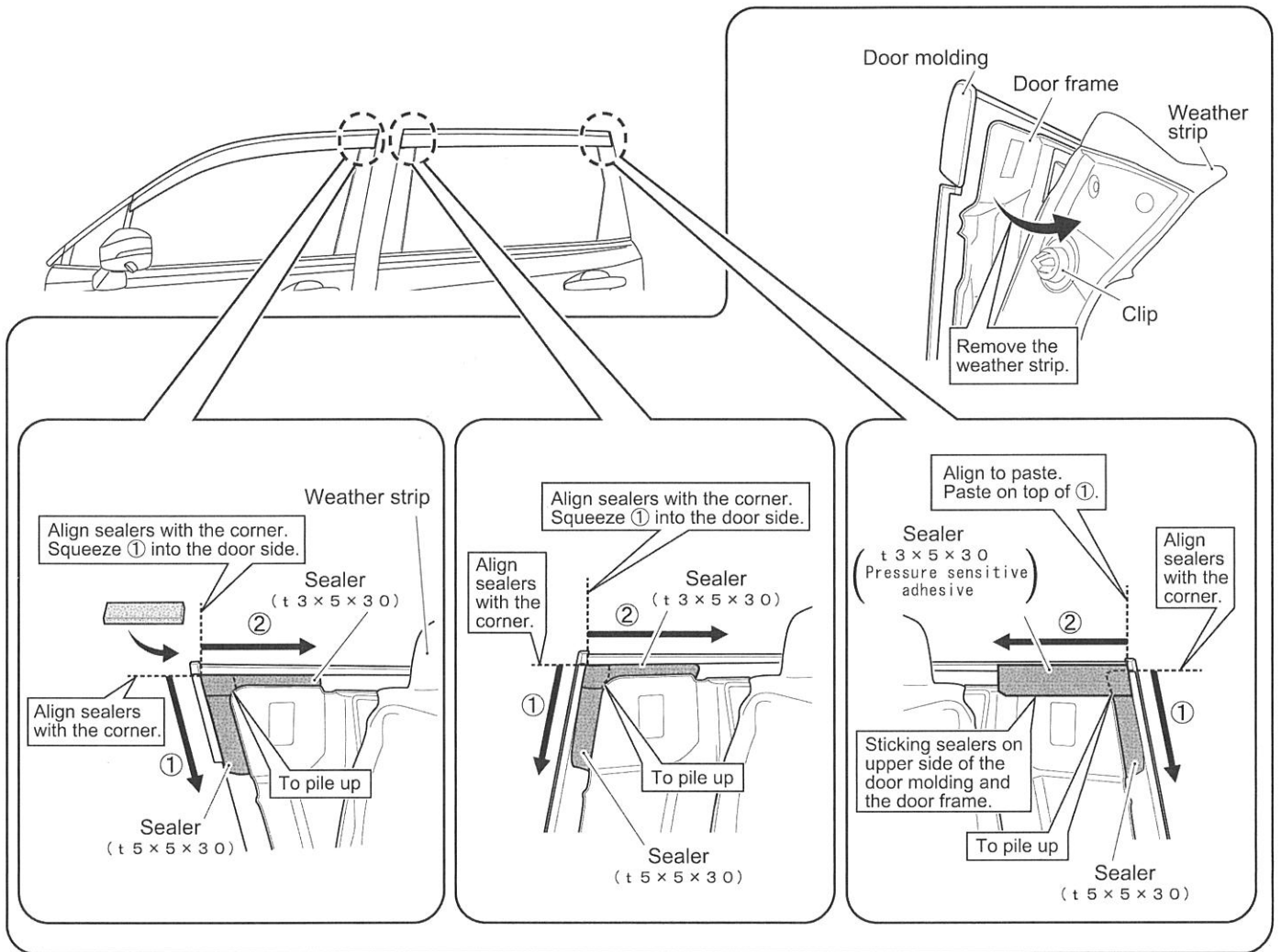
15°C (59°F) less only.

- 9** • Visually check for proper installation.



10

• Open the door and remove the weather strip.  
Attach sealers.



11

• Revert the weather strip back.

