



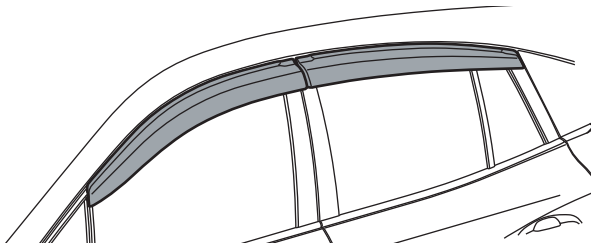
SIDE WINDOW DEFLECTOR

Installation Instruction

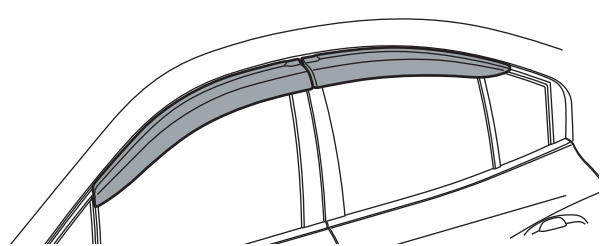
Genuine Part Number : F0010FL010 / F0010FL020(SDN)
F0010FL000 / F0010FL030(5D)

Applicable Model : IMPREZA SDN / 5D 2017MY ~

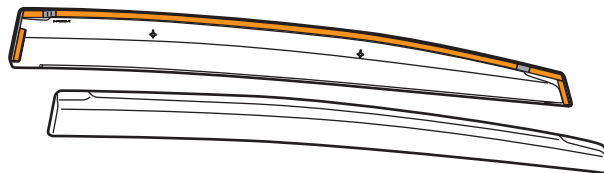
5D



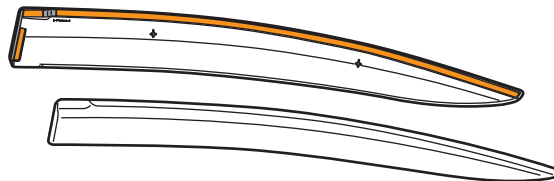
SDN



FRONT (5D / SDN)



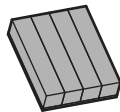
REAR (5D)



REAR (SDN)



x 8



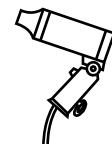
Gloves



Rag



Isopropyl alcohol

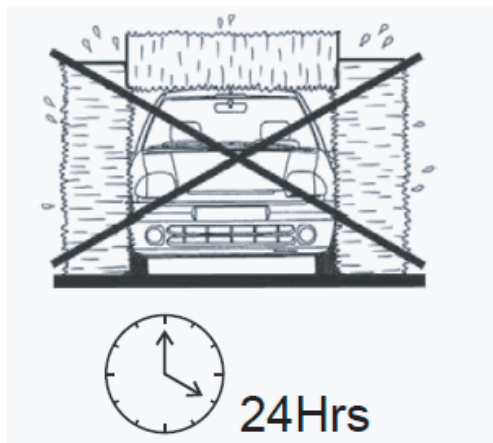


Hair dryer / heat gun

CAUTION(USA)

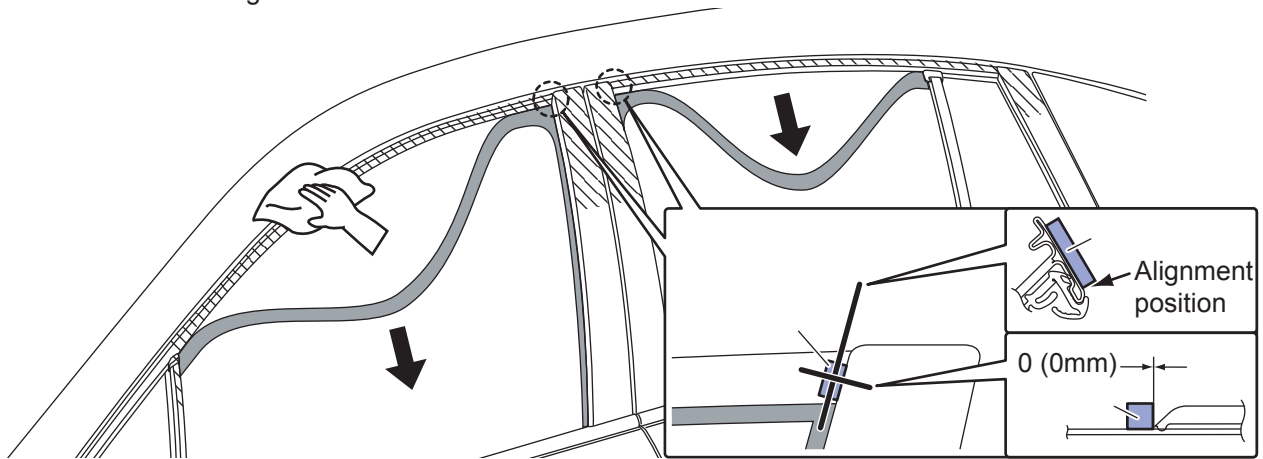
Side window deflectors may not be legal in all states.
Please check the laws of your state.

•Never use gasoline, thinner, acid, alkali, or other organic solvent.



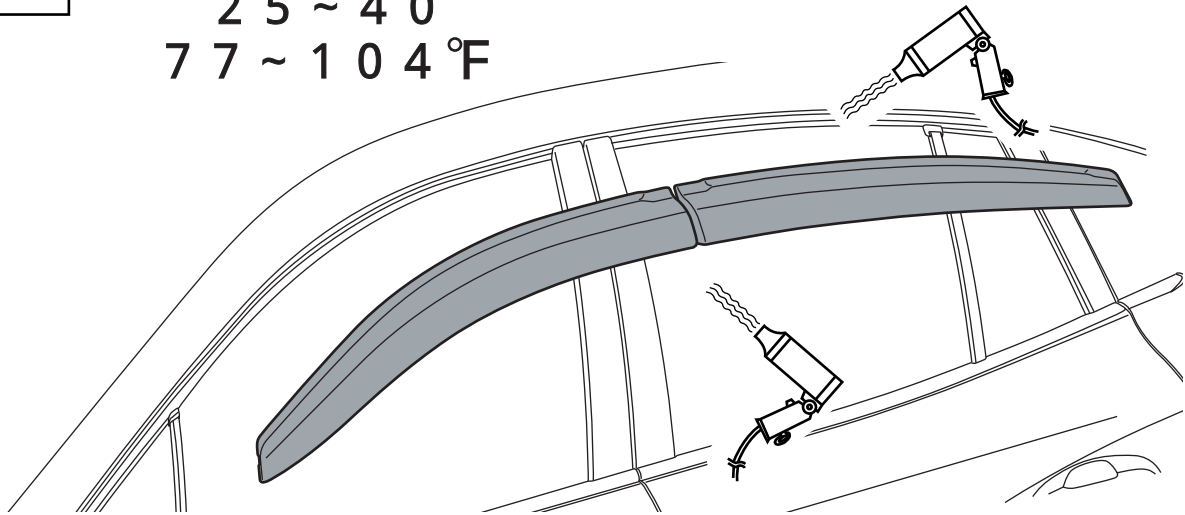
1

- Pull down run channel gasket in middle area of each window.
- Clean where deflector will be contact door using isopropyl alcohol and rag.
- Stick a sealing rubber on the door sash as shown.



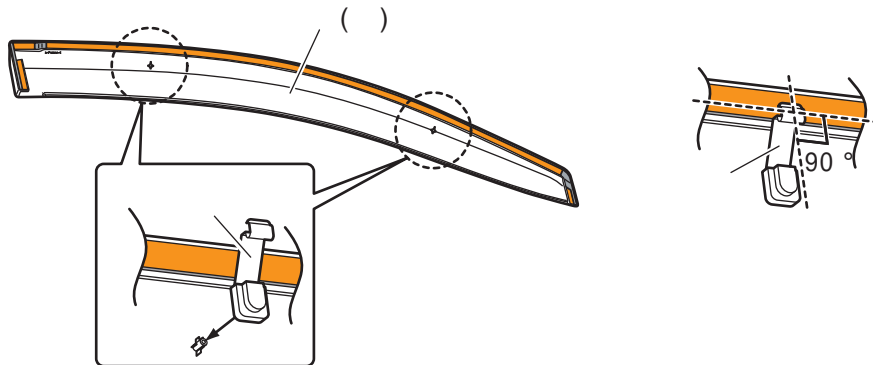
2

25 ~ 40
77 ~ 104 °F



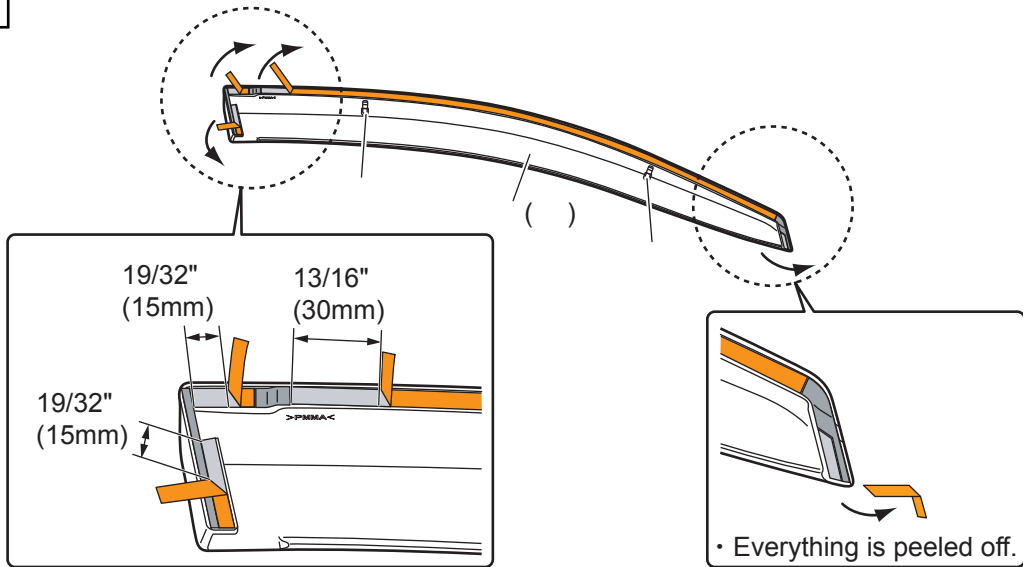
3

- Install the metal clips ⑤ onto front side window deflector as shown.
- Clip must be perpendicular to edge of deflector.



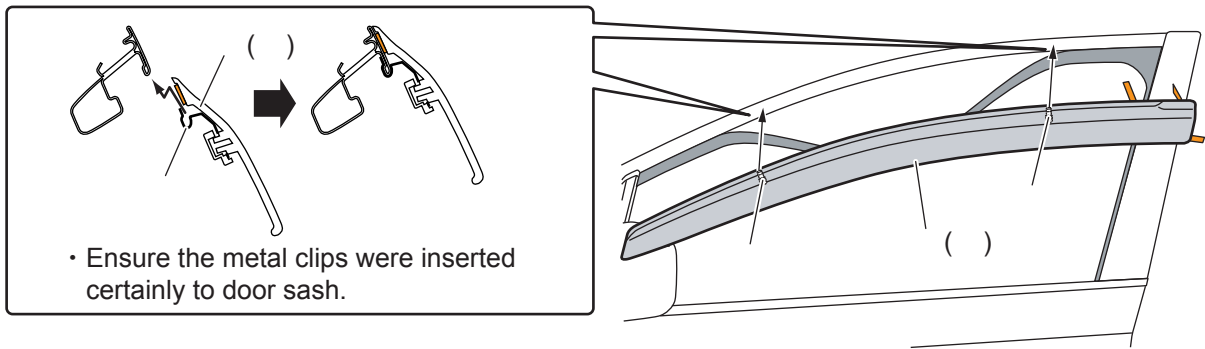
4

• Pull back the tape backing approximately 19/32" (15mm) and 13/16" (30mm) as shown.



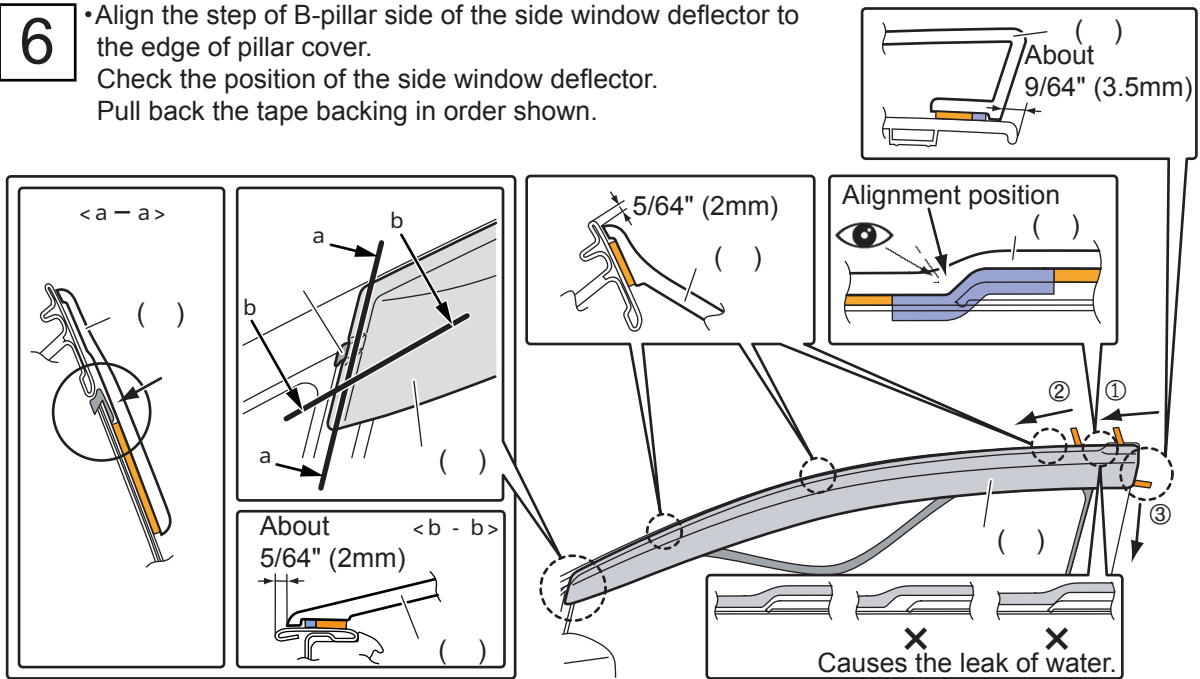
5

• Insert the metal clips ⑤ on the front side window deflector to the door sash, and fit the front side window deflector to the door.



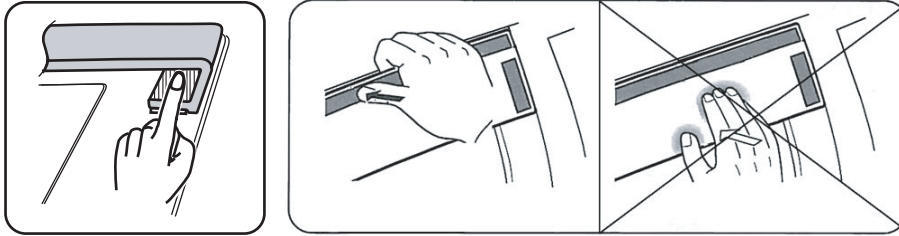
6

• Align the step of B-pillar side of the side window deflector to the edge of pillar cover. Check the position of the side window deflector. Pull back the tape backing in order shown.



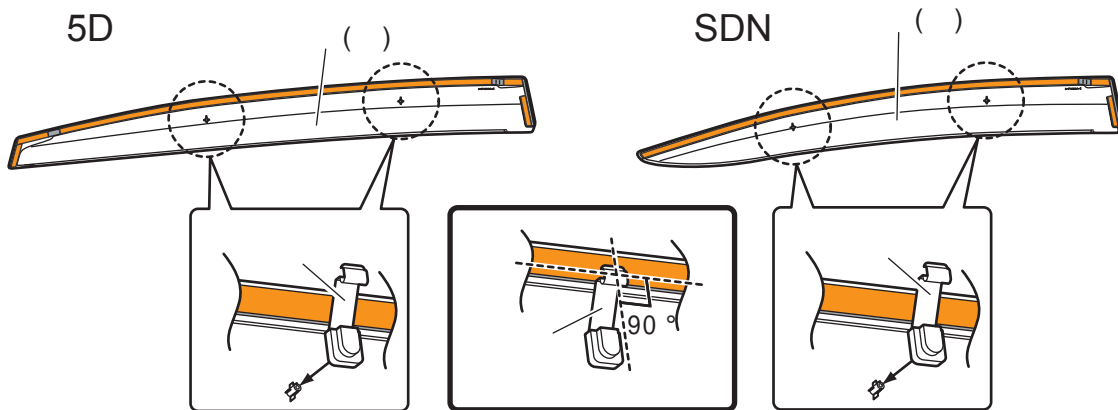
7

•Apply firm pressure (approximately 12 lbs) on deflector blade directly over tape area.
Do not push on lower portion of the deflector.



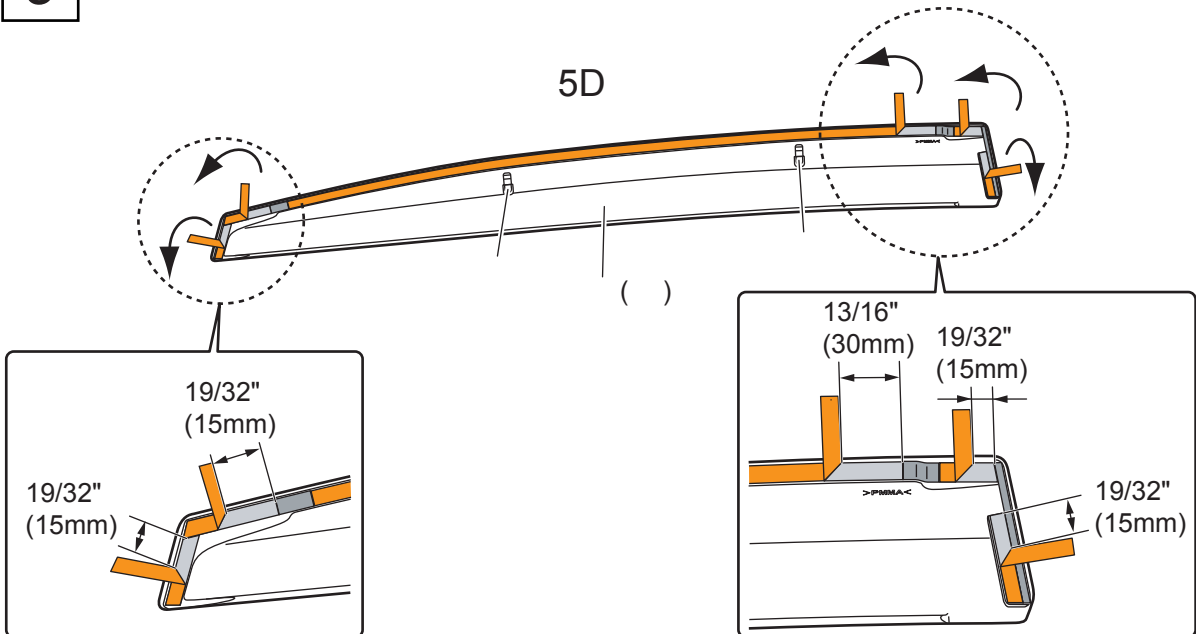
8

•Install the metal clips ⑤ onto rear side window deflector as shown.
Clips must be perpendicular to edge of deflector.



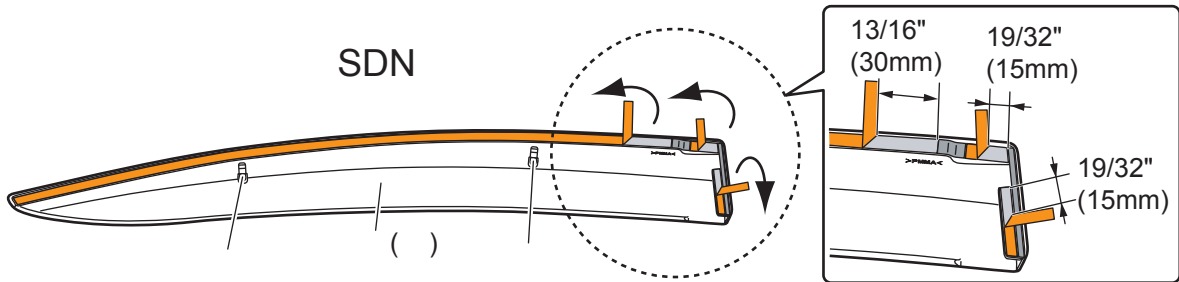
9

•Pull back the tape backing approximately 19/32" (15mm) and 13/16" (30mm) as shown.



10

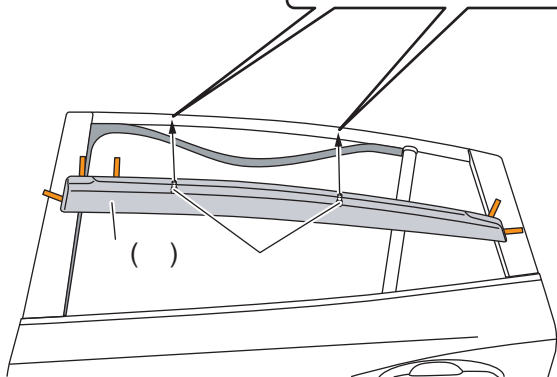
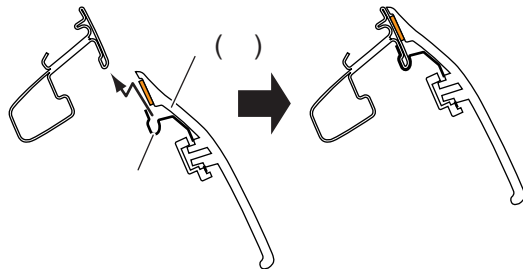
•Pull back the tape backing approximately 19/32" (15mm) and 13/16" (30mm) as shown.



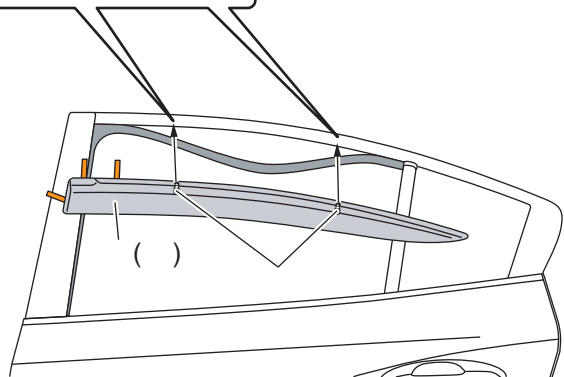
11

•Insert the metal clips ⑤ on the rear side window deflector to the door sash, and fit the rear side window deflector to the door.

•Ensure the metal clips were inserted certainly to door sash.



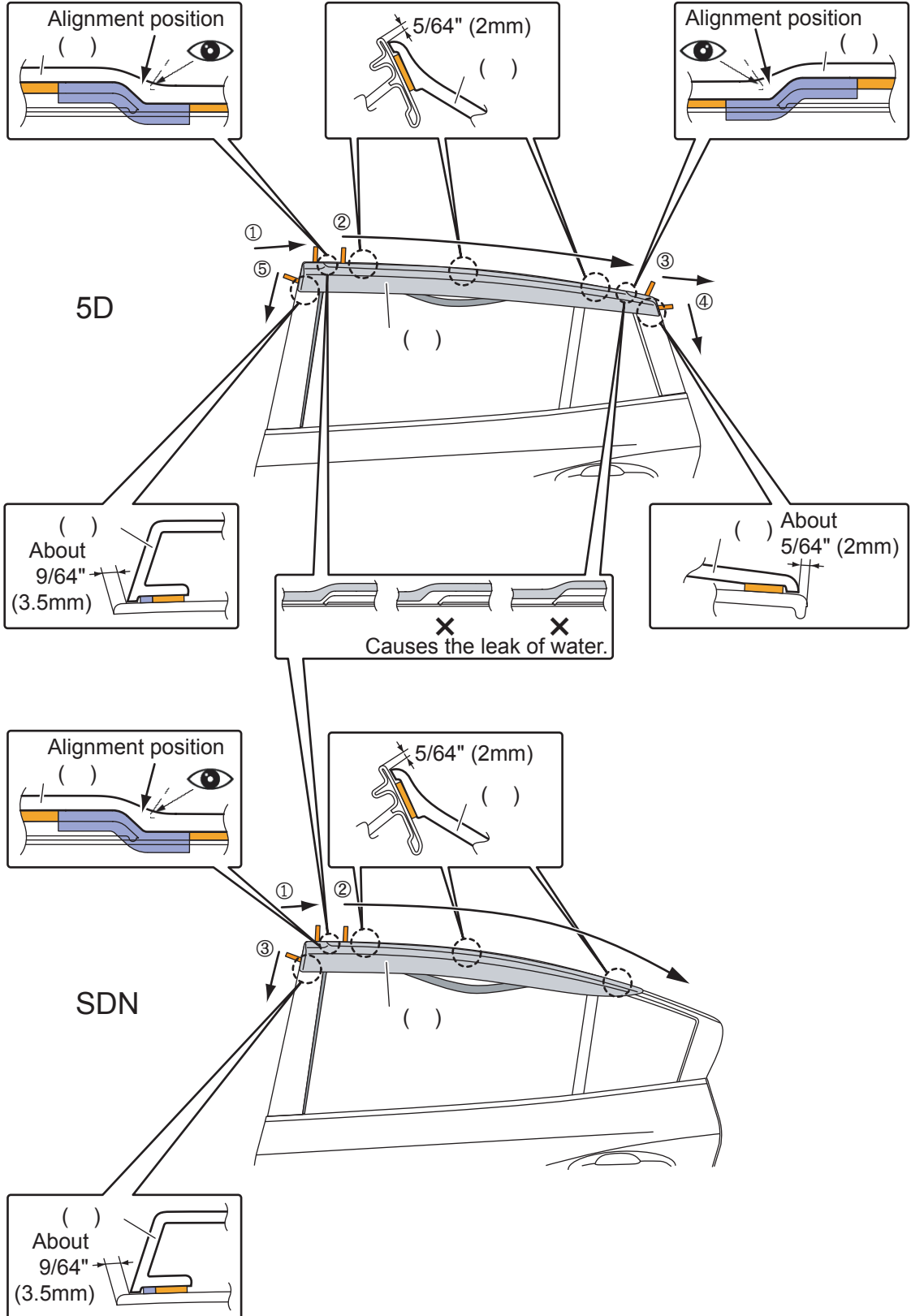
5D



SDN

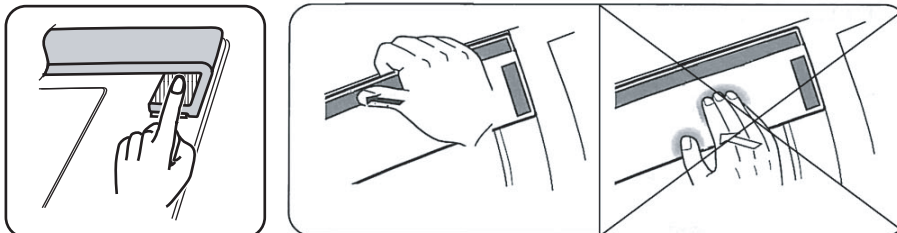
12

•Align the step of B-pillar side of the side window deflector to the edge of pillar cover.
Check the position of the side window deflector.
Pull back the tape backing order shown.



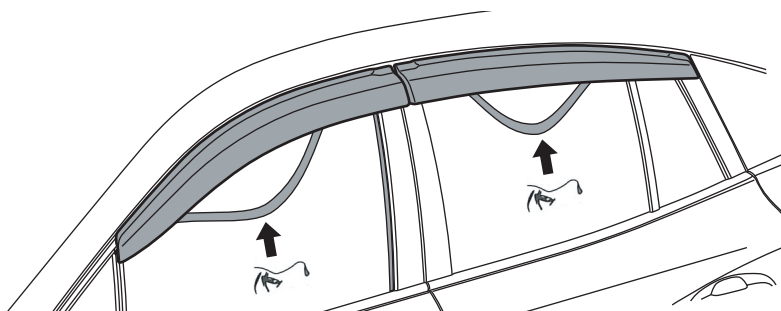
13

•Apply firm pressure (approximately 12 lbs) on deflector blade directly over tape area.
Do not push on lower portion of the deflector.

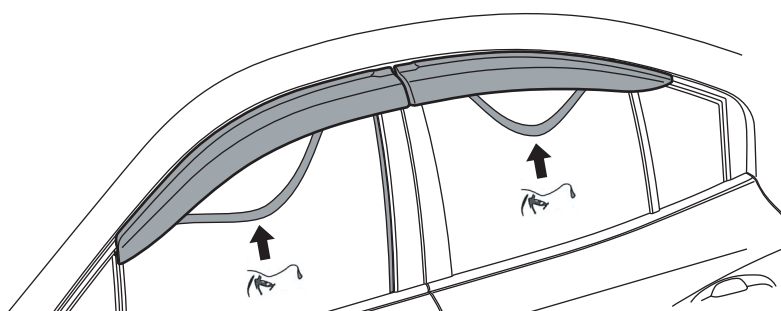


14

•Reinstall the front and rear run channel gaskets. Visually check for proper gasket installation.



5D



SDN