

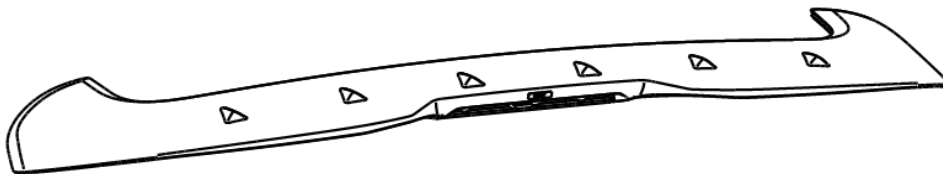


REAR ROOF SPOILER
PART No. E7210FL100
IMPREZA 5D (17MY~)
XV, CROSSTREK (18MY~)

INSTALLATION
INSTRUCTION

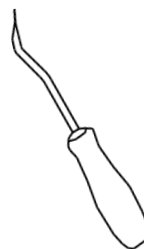
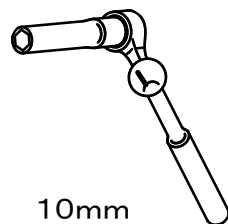
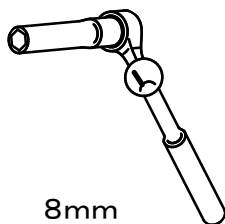
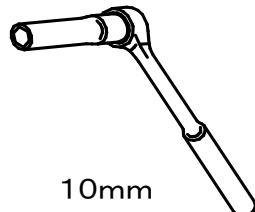
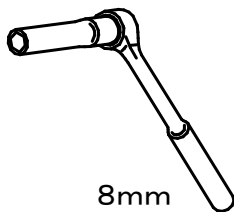
KIT CONTENTS:

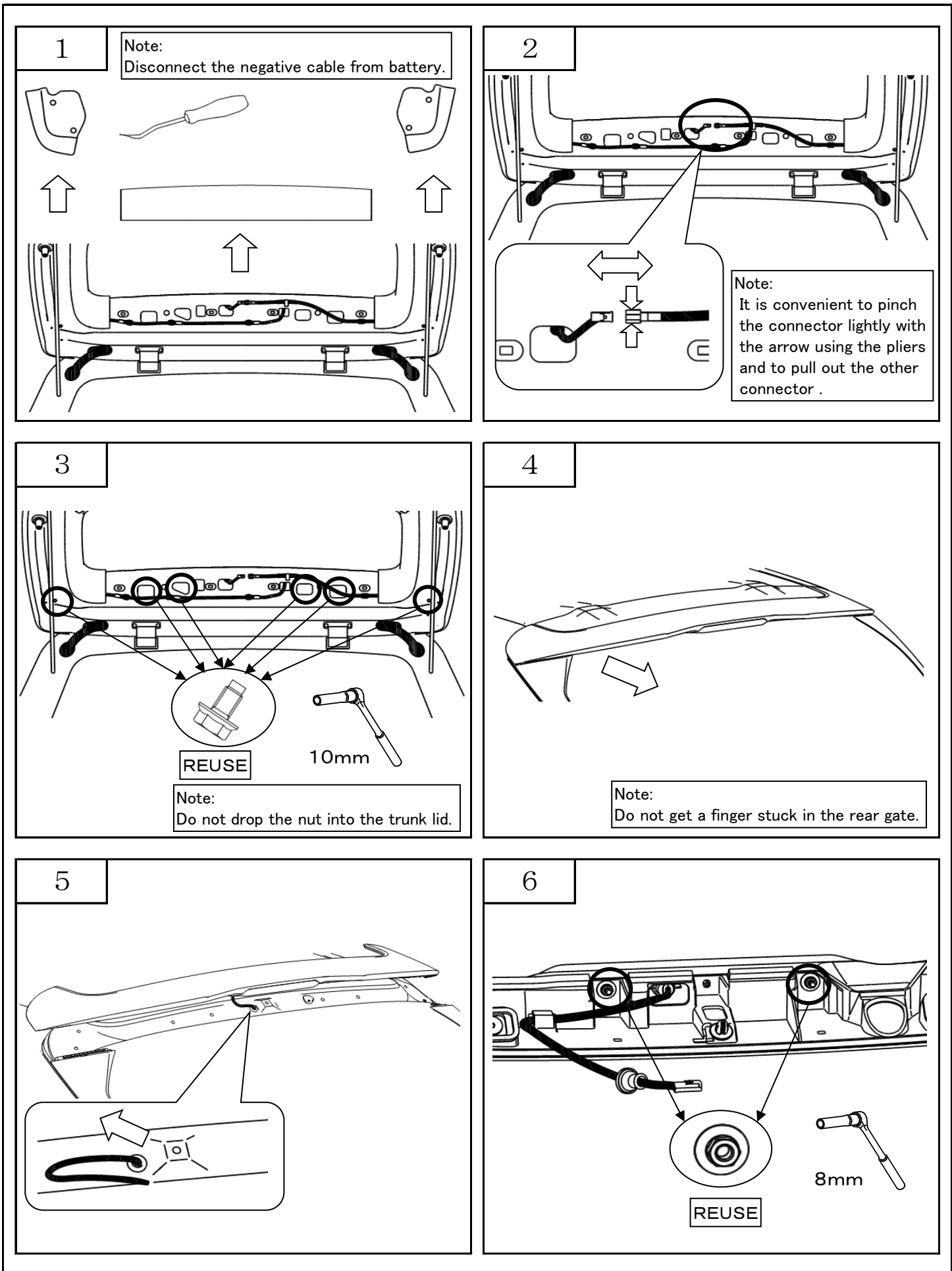
①



× 1

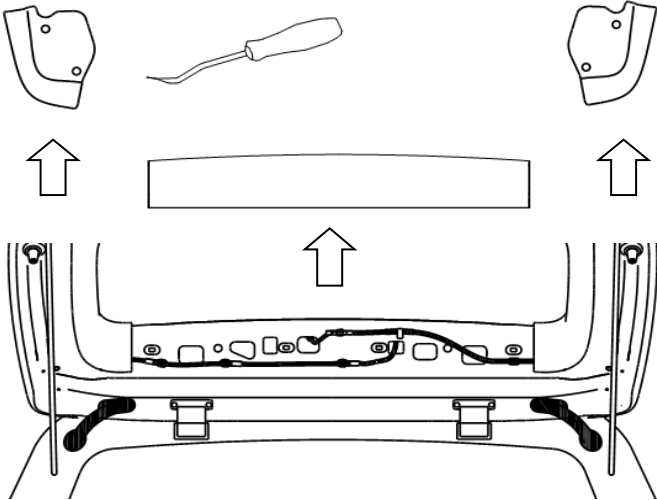
TOOLS REQUIRED:



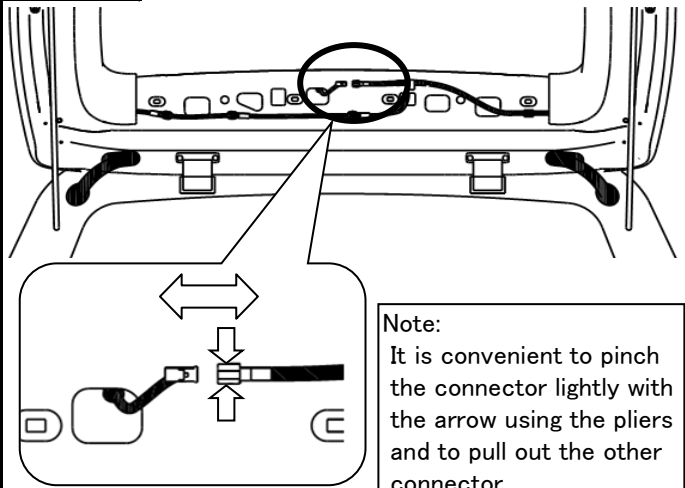


1

Note:
Disconnect the negative cable from battery.

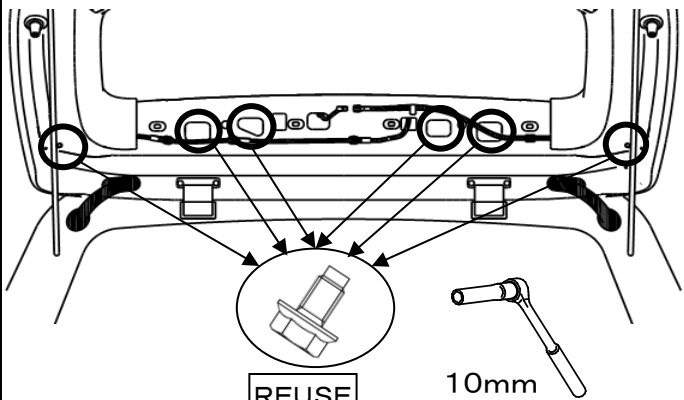


2



Note:
It is convenient to pinch the connector lightly with the arrow using the pliers and to pull out the other connector .

3

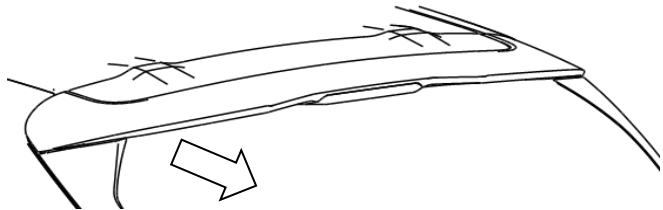


REUSE

10mm

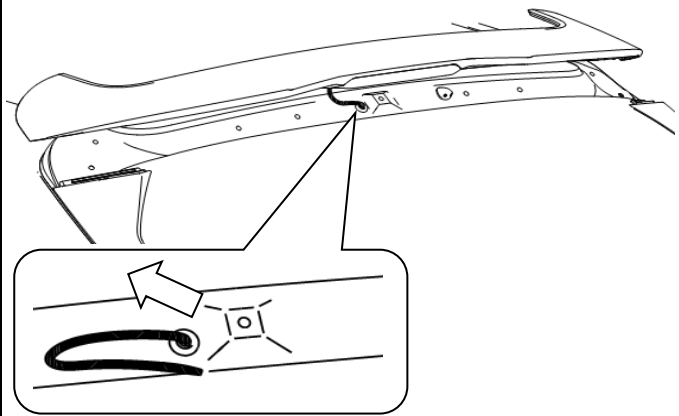
Note:
Do not drop the nut into the trunk lid.

4

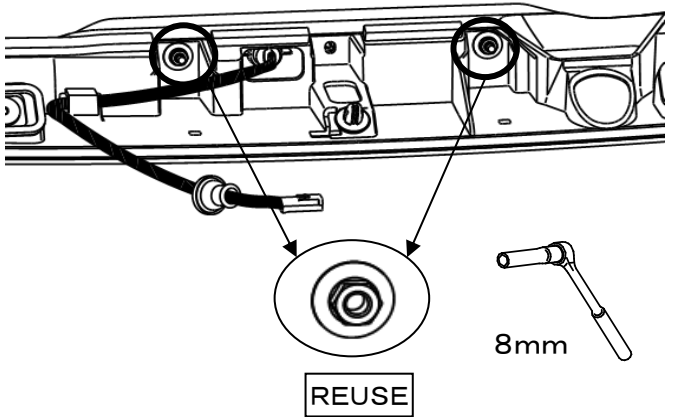


Note:
Do not get a finger stuck in the rear gate.

5



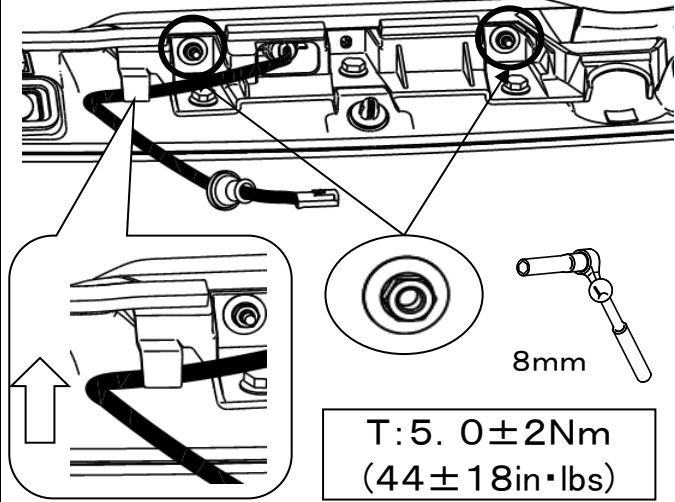
6



REUSE

8mm

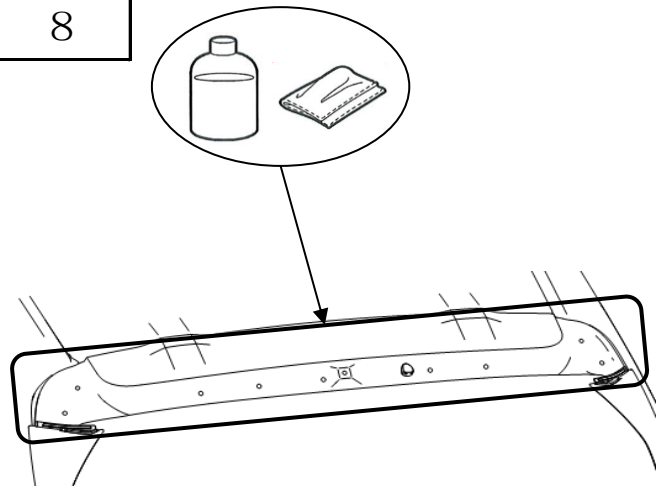
7



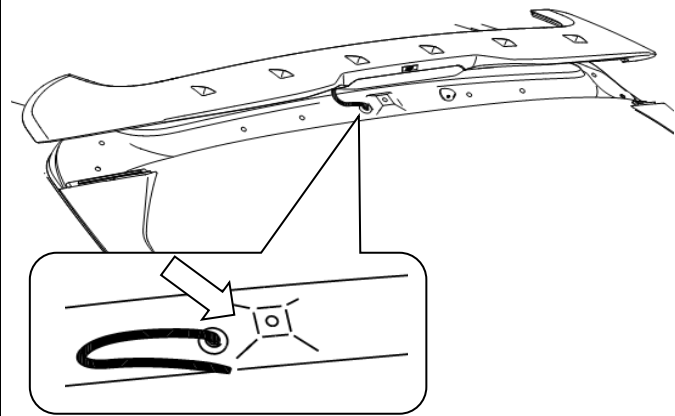
T: 5.0 ± 2Nm
(44 ± 18in·lbs)

8mm

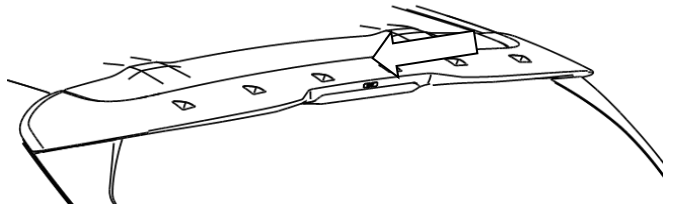
8



9

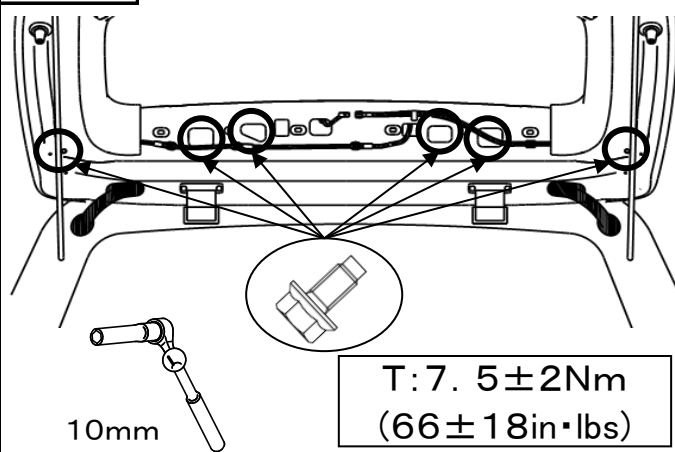


10



Note:
Push it to the vertical direction of the clip.

11

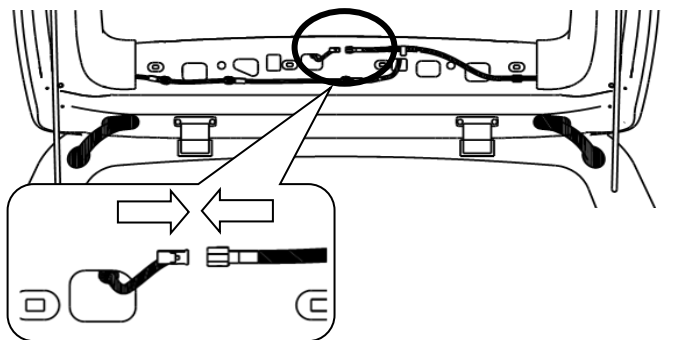


T: 7.5 ± 2Nm
(66 ± 18in·lbs)

10mm

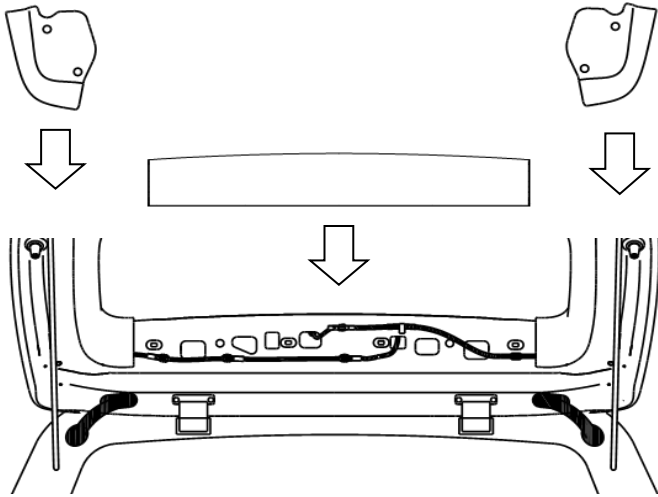
Note:
Do not drop the nut into the trunk lid.

12



Note:
After reconnecting the connector, reconnect battery, please check the lighting of the lamp before step 13.

1 3



1 4

