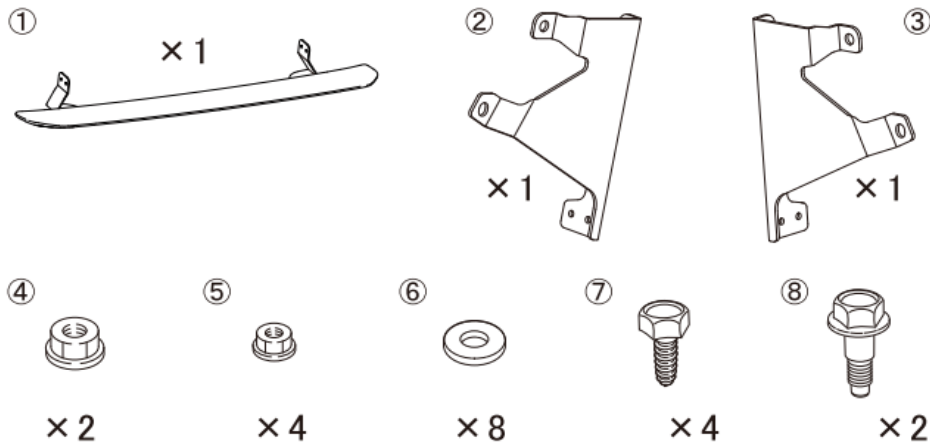
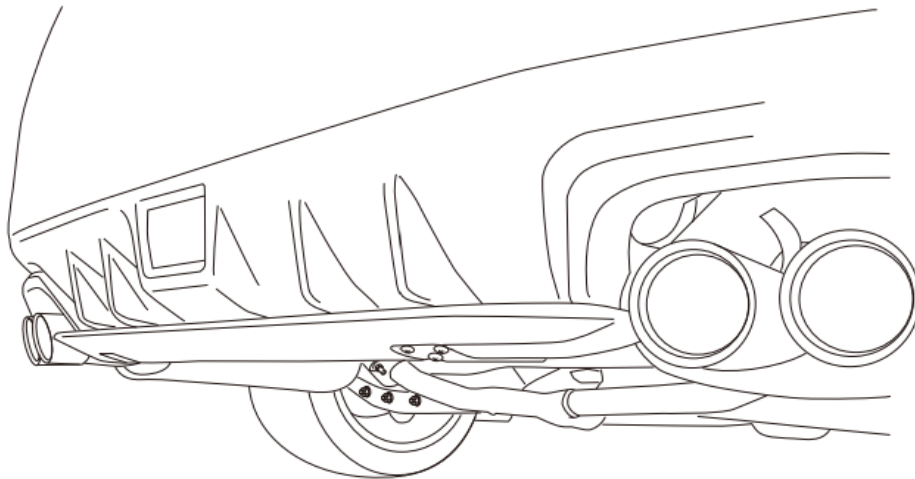




Applicable : WRX,WRX-STI  
(2015MY~)  
INSTALLATION INSTRUCTION  
GUIDE D'INSTALLATION  
EINBAUANLEITUNG  
MANUALE D'INSTALLAZIONE  
MANUAL DE INSTALACION

# REAR UNDER SPOILER

PART No. E5610VA120



## CAUTION

- (1) Perform installation properly according to the procedures indicated in the instruction manual.  
Improper installation can result in damage to your vehicle or serious injury.
- (2) Be careful when driving after installing this product as ground clearance at center section has decreased by approximately 5 cm (2 inches) respectively.
- (3) Never use gasoline, thinner, acid, alkaline or other organic solvents to clean this product.
- (4) This product can become deformed if exposed to high heat.
- (5) Always keep this instruction manual in your vehicle.

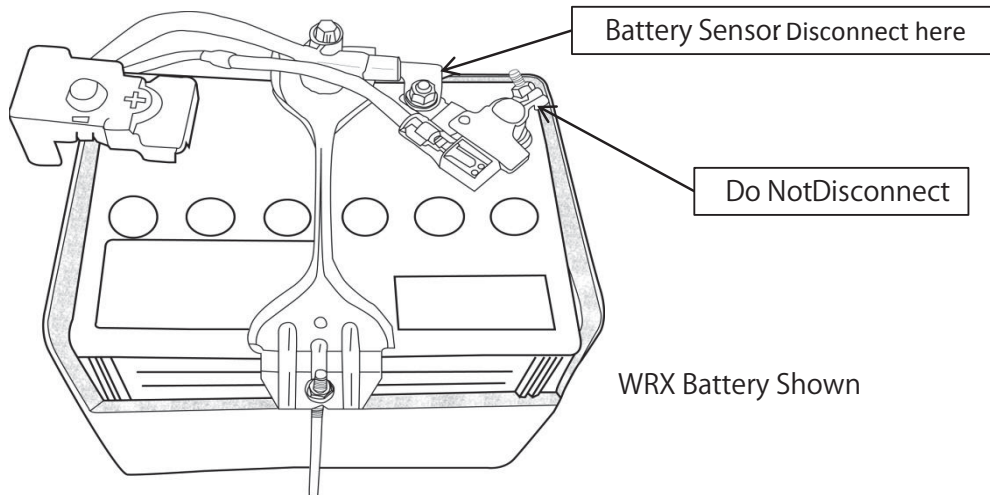
**1**

Disconnect the ground cable from the battery.

NOTE:

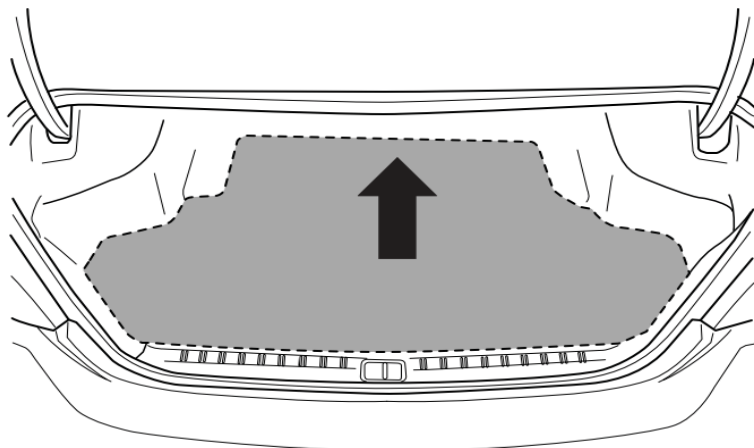
For WRX: Disconnect the ground terminal from battery sensor only. See image below.

For WRX STI: Disconnect the ground cable (-) from the battery.



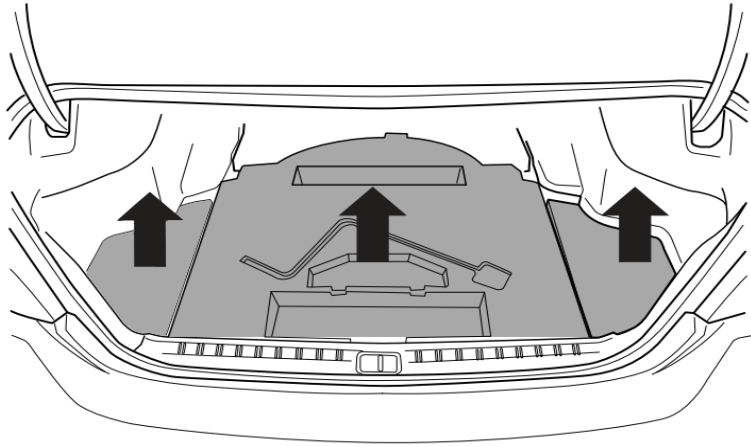
**2**

Remove trunk mat.



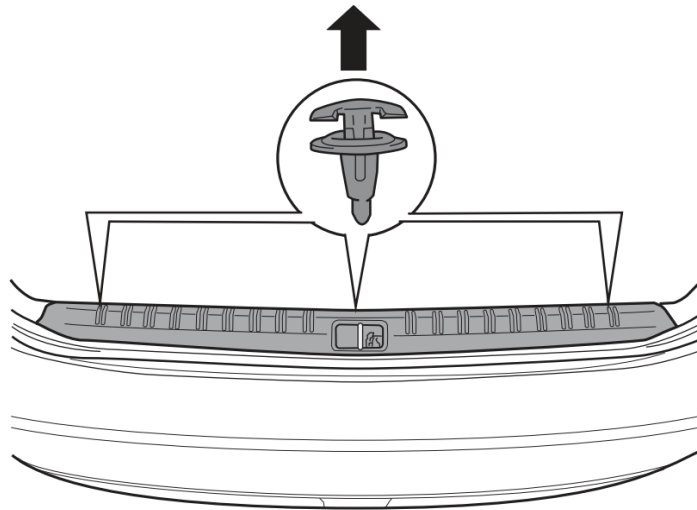
**3**

Remove styrofoam floor spacers - Left, center, right side pieces.



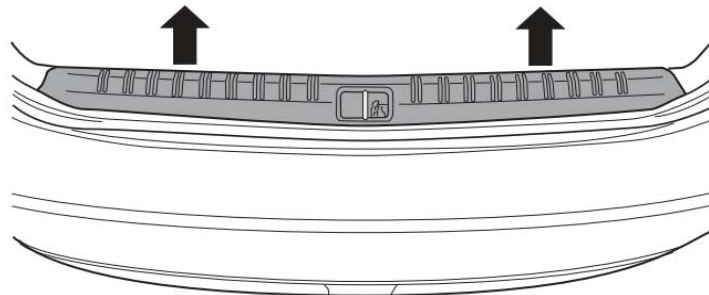
**4**

Remove three clips from the back of the Rear Trunk Trim Panel.



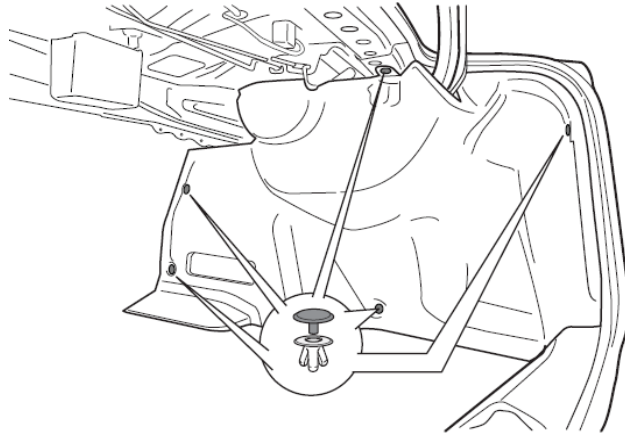
**5**

Evenly lift and remove the Rear Trunk Trim Panel.



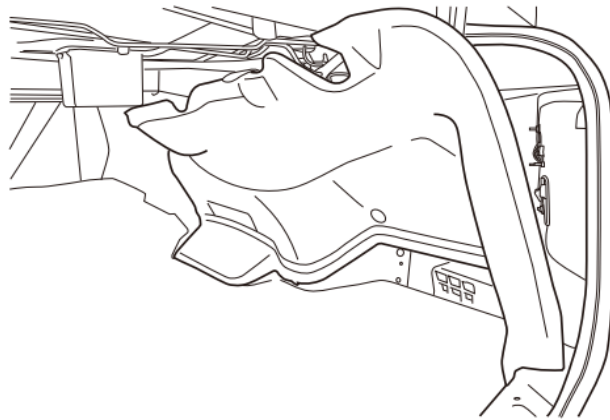
**6**

Remove the five clips holding the Right Side Trunk Trim Panel. Repeat for the left side.



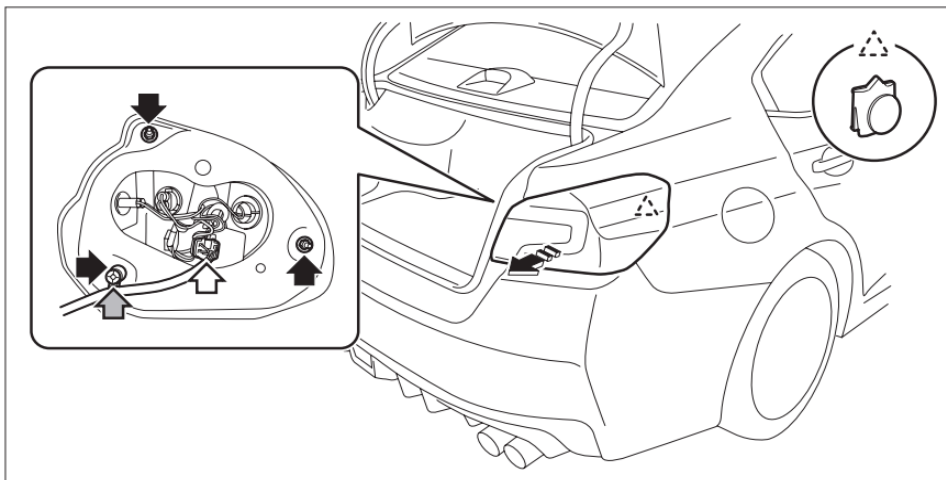
**7**

Take out both Left and Right Side Trunk Trim Panels.



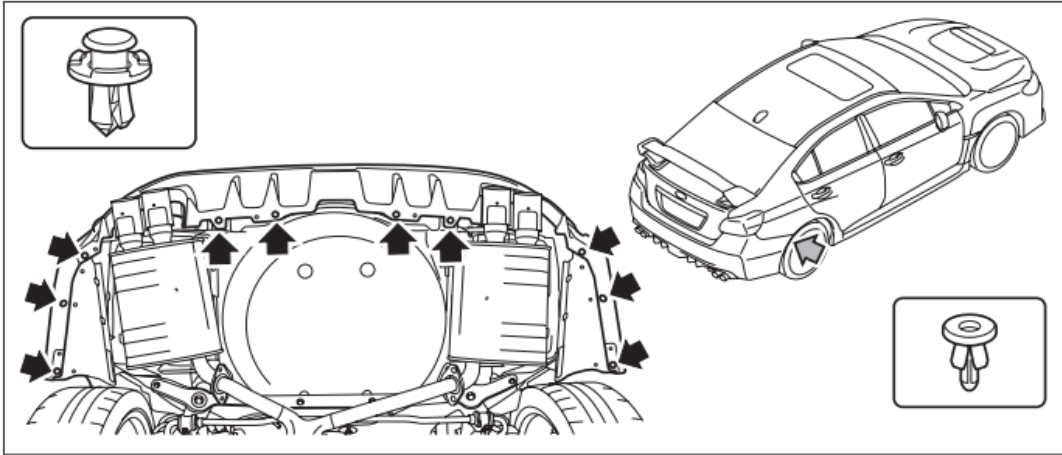
**8**

Release the harness clip and disconnect the taillight connector. Remove three nuts and release clip from the front of the taillight. Remove taillight assembly. Perform to both LH and RH taillight assemblies.



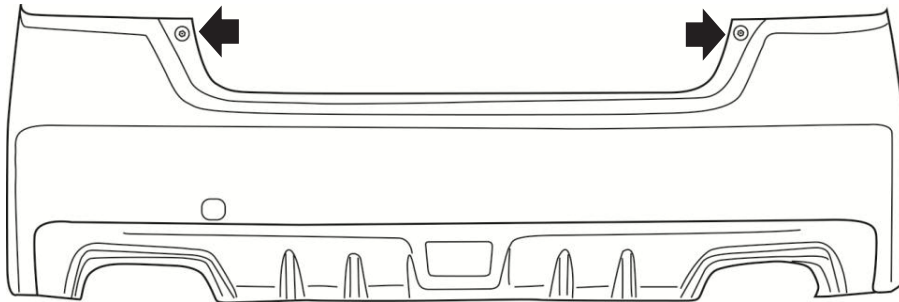
9

Remove the clip inside each rear wheel housing. **TIP:** Push in center of clip to disengage. Remove the clips under the rear bumper face. See image below.



10

Remove the two bolts from the bumper face - rear.



11

**CAUTION:**

**Do not pull forcibly. It may damage the flange section on the bumper face - rear side when it comes off from the claws of the bracket - rear bumper.**

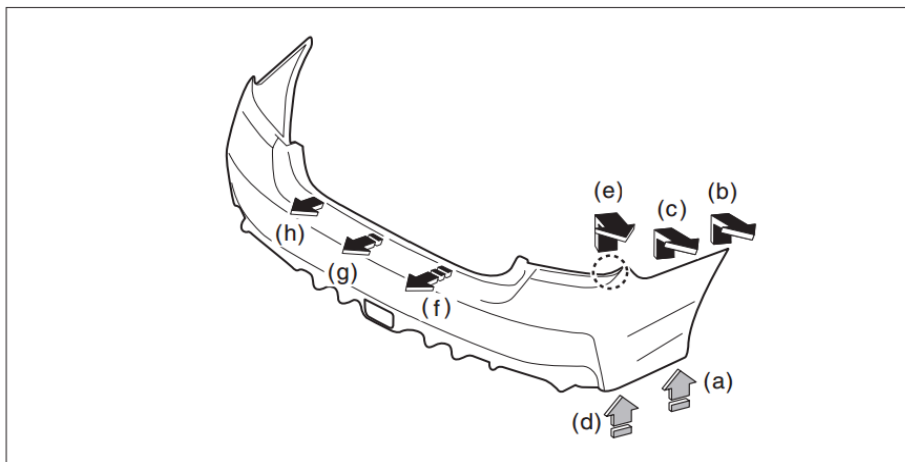
Detach (b) and (c) while pulling up (a) of the bumper face - rear.

Detach (e) while pulling up (d) of the bumper face - rear.

Detach the opposite side in the same manner.

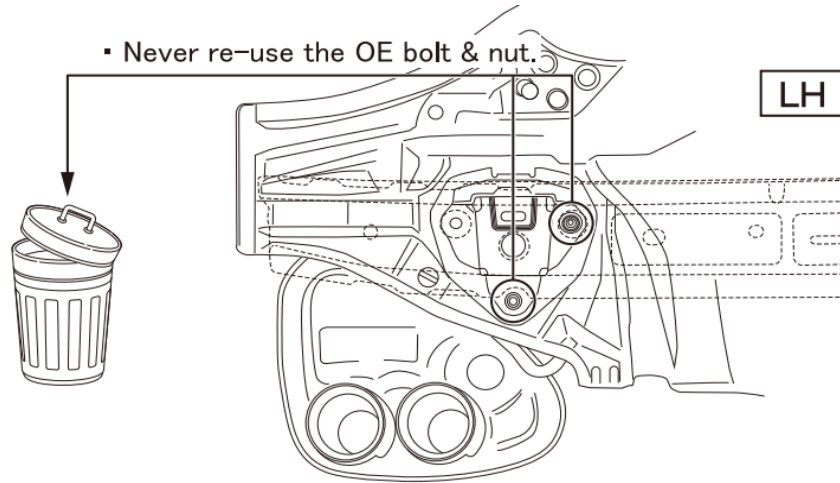
Detach in order from (f) to (h) while pulling up the center part of the bumper face - rear.

Remove the bumper face - rear.



**12**

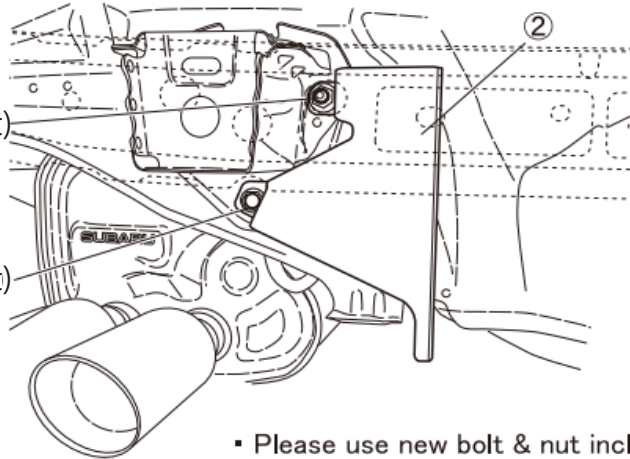
Dispose of the OE bolt and nut.



**13**

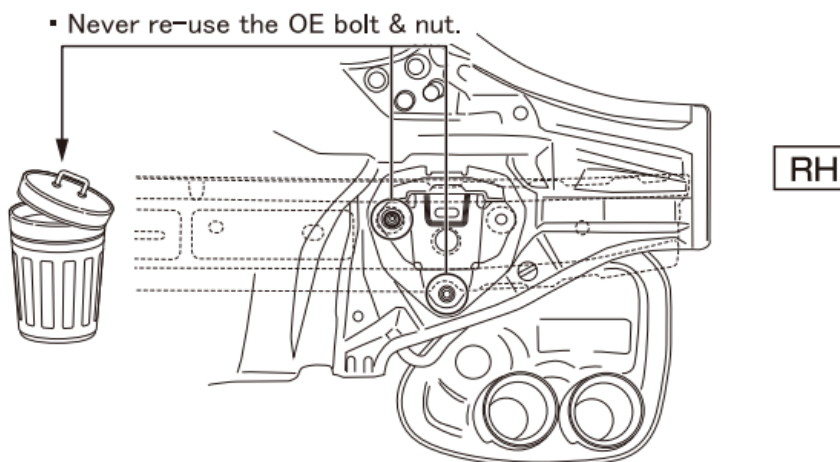
④45N·m(33lb-ft)

⑧70N·m(52lb-ft)

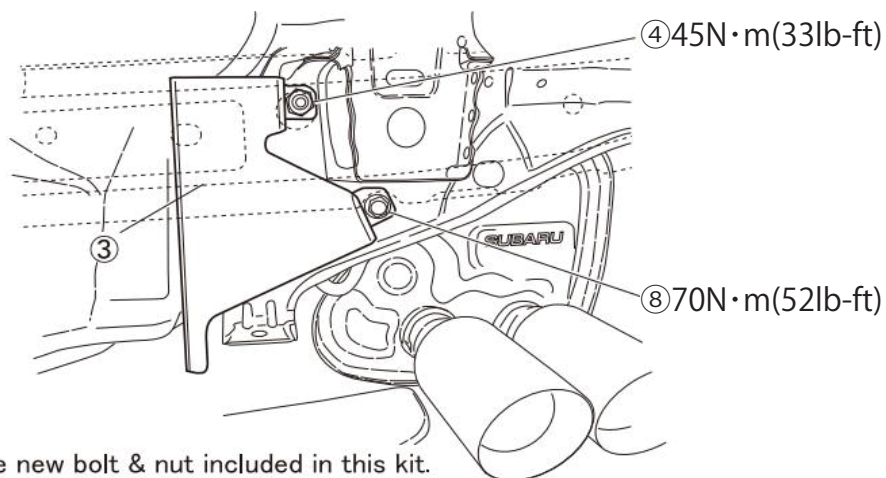


**14**

Dispose of the OE bolt and nut.

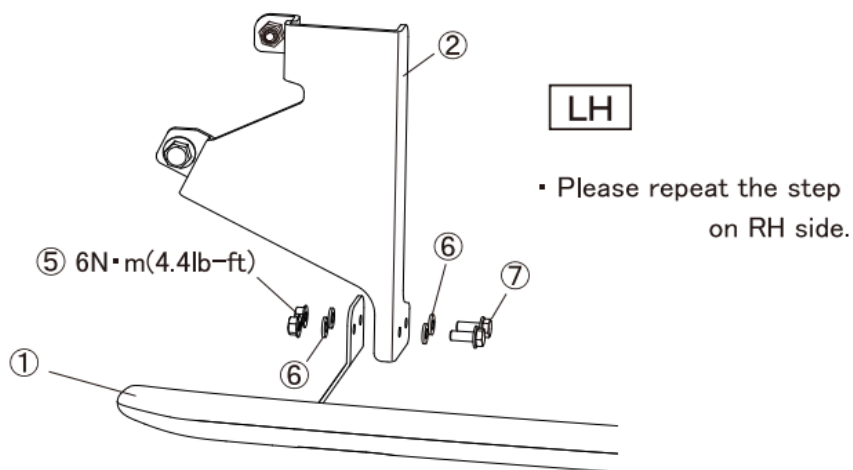


# 15



• Please use new bolt & nut included in this kit.

# 16

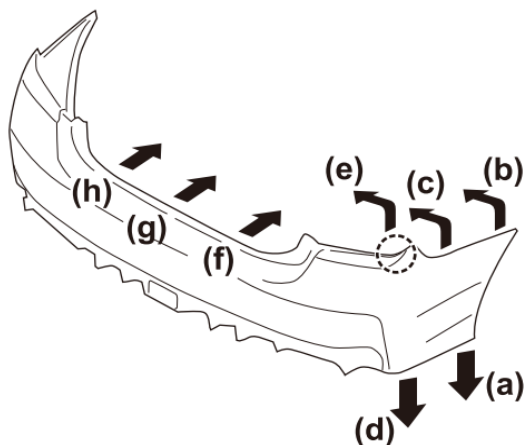


# 17

**CAUTION: Gently hang the bumper on the vehicle. Do not forcibly engage any clips. Doing so may damage the bumper and result in gaps or poor alignment.**

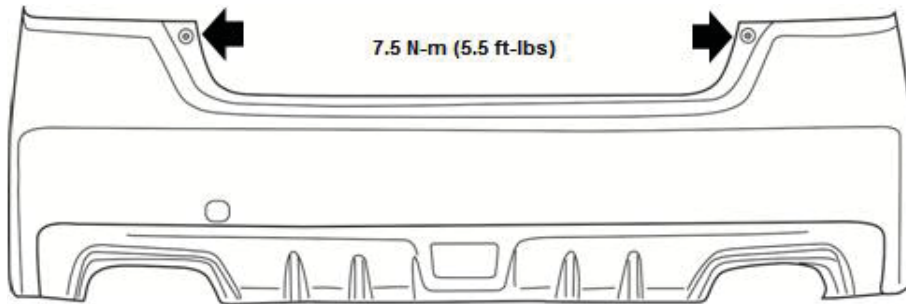
Carefully line up the claws and the flanges on the rear bumper bracket in areas (f) to (h). Ensure the tabs on the bottom of the bumper are below the vehicle bracket before fully engaging any clips.

Carefully engage (f) to (h). Re-verify all claws and proceed to engage (e) to (b).



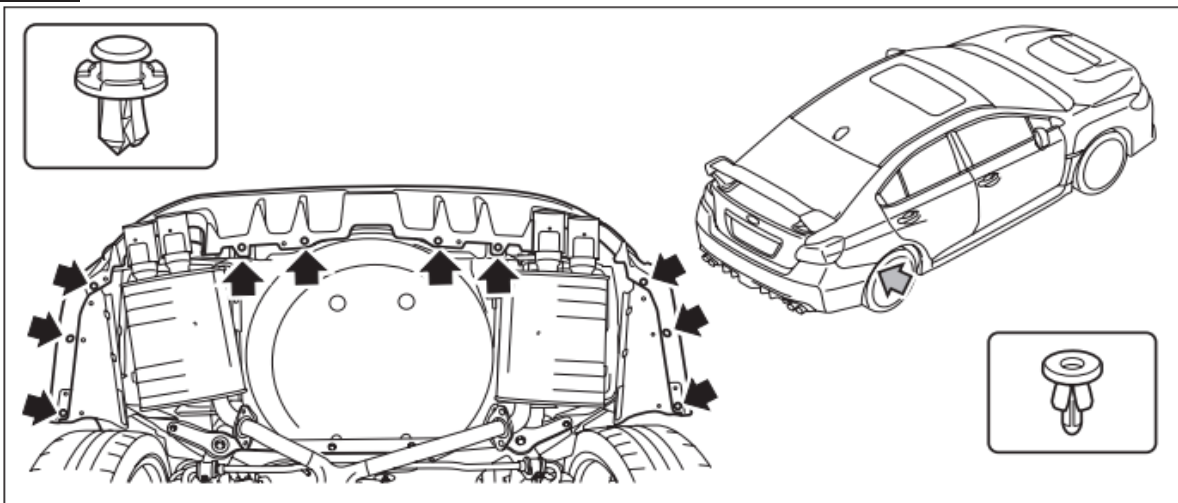
**18**

Re-install the two bolts from the bumper face - rear. Torque these bolts to 7.5 N-m (5.5ft-lbs).



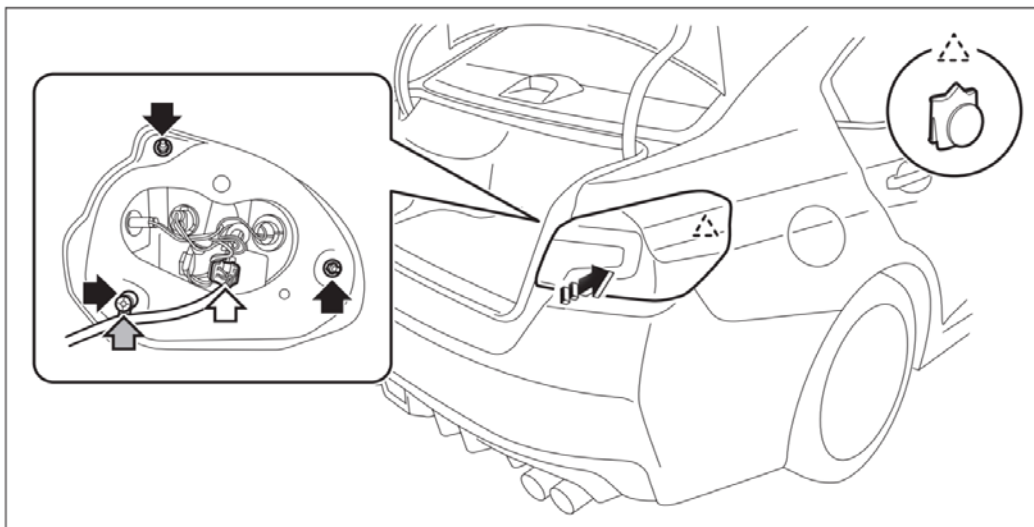
**19**

Re-install the clip inside each rear wheel housing.  
Re-install the clips under the rear bumper face. See image below.



**20**

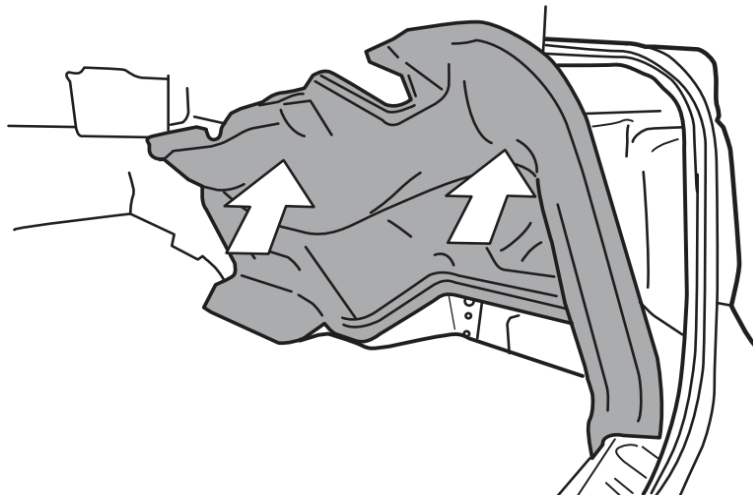
Insert taillight assembly. Engage clip from the front of the taillight and re-install three nuts.  
Re-install the harness clip and connect the taillight connector.  
Perform to both LH and RH taillight assemblies.





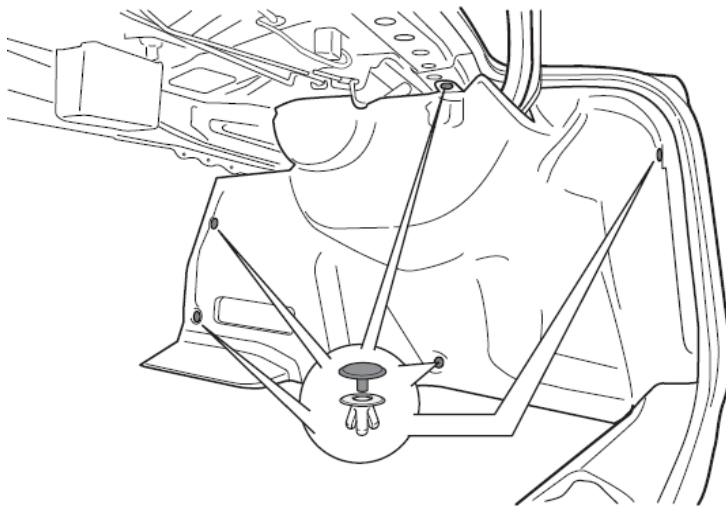
**21**

Re-install both Left and Right Side Trunk Trim Panels.



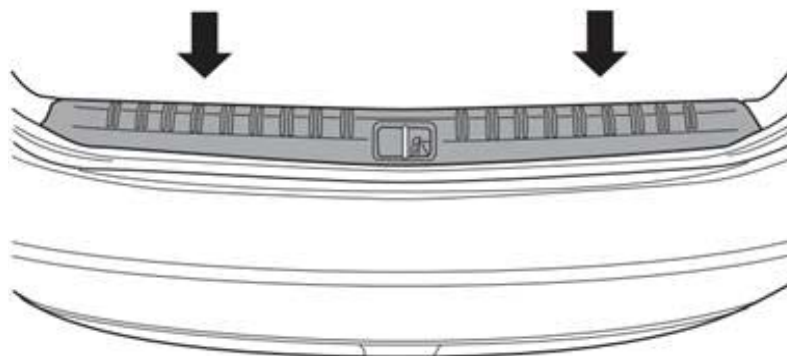
**22**

Re-install the five clips holding the Right Side Trunk Trim Panel. Repeat for the left side.



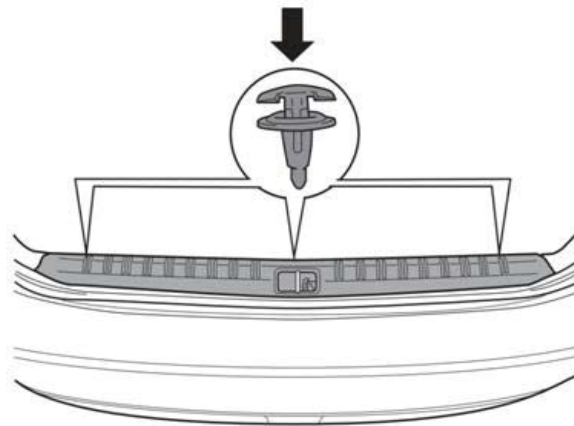
**23**

Ensure the claws from the Rear Trunk Trim Panel are properly aligned before fully engaging. Adjust weatherstripping if necessary.



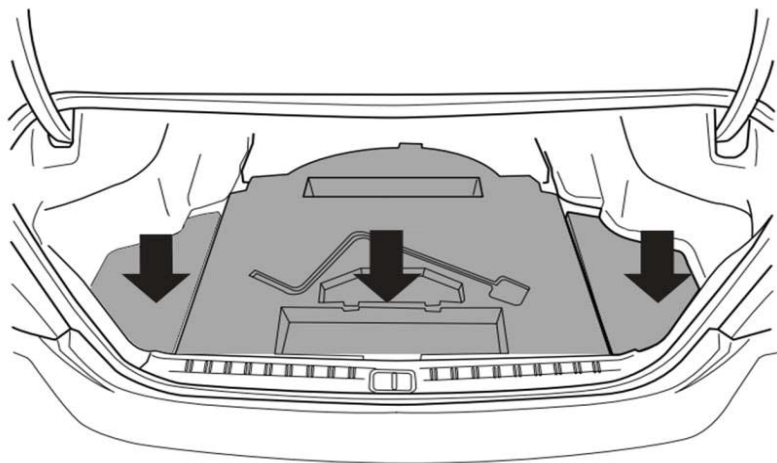
**24**

Re-install three clips.



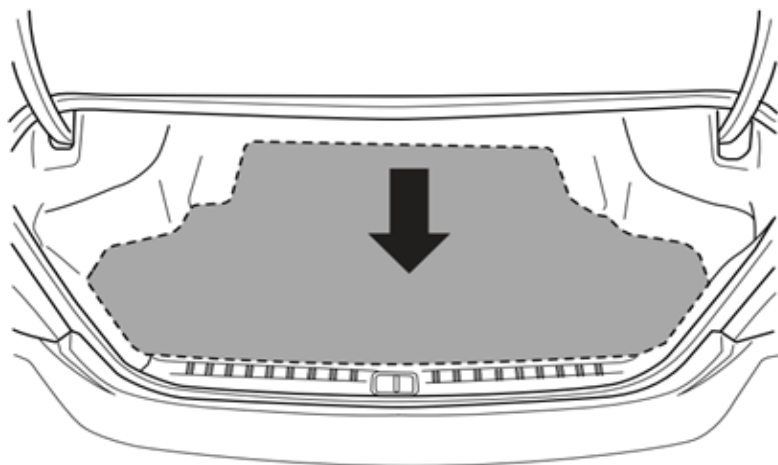
**25**

Re-install styrofoam floor spacers - Left, center, right side pieces.



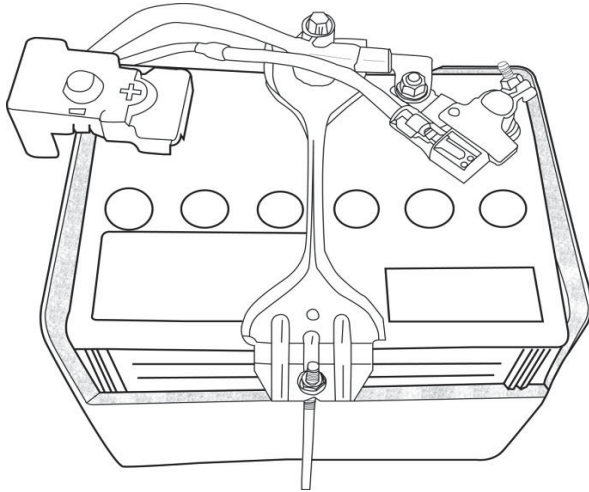
**26**

Re-install trunk mat.



**27**

Re-connect ground cable to battery.



WRX Battery Shown

**28**

▪ Installation completion

