



# Rear Side Under Spoiler

Installation Manual

Genuine part number : E5610FL010

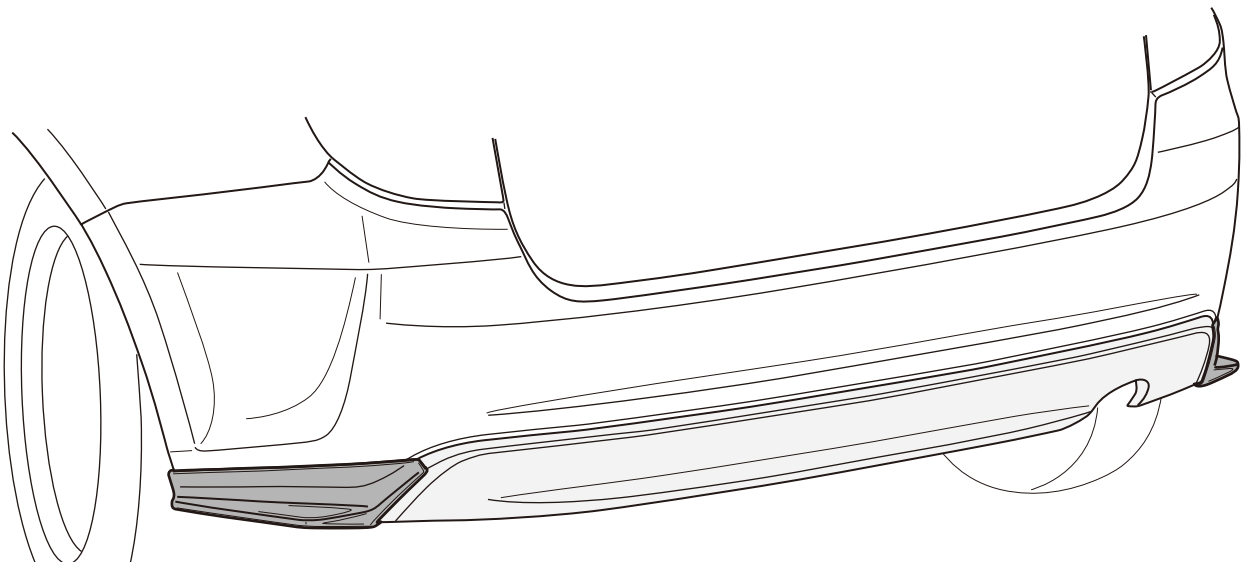
Applicable model : IMPREZA 4D (17MY~)

- This manual describes how to install and handle the Rear Side Under Spoiler.
- Read this manual carefully before work and make sure to install it correctly.

## Precautions

- Install the Rear Side Under Spoiler by reading the Installation Manual carefully.
- Handle the Rear Side Under Spoiler with care and do not let it fall.
- Do not install or use this product in any way other than described in this manual.
- We do not assume any responsibility for any trouble arising from failure to comply with the instructions in this manual.
- Double-sided tape is used to attach the Rear Side Under Spoiler. Attach it with care as once it is attached, it is extremely difficult to remove.

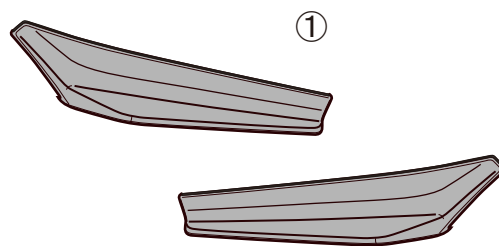
## Installation Completion Illustration



## Components

- Make sure to check the components below before installation.

No.	Part Name	Qty
①	Rear Side Under Spoiler	RH:1 /LH:1
②	Washer	2
③	Clip (small)	2
④	Clip (middle)	3
⑤	Clip ( large)	1
⑥	Pattern paper A	1
⑦	Pattern paper B	1



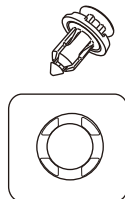
②



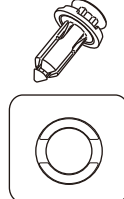
③



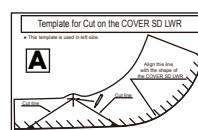
④



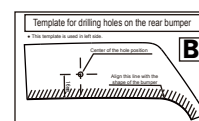
⑤



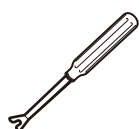
⑥



⑦



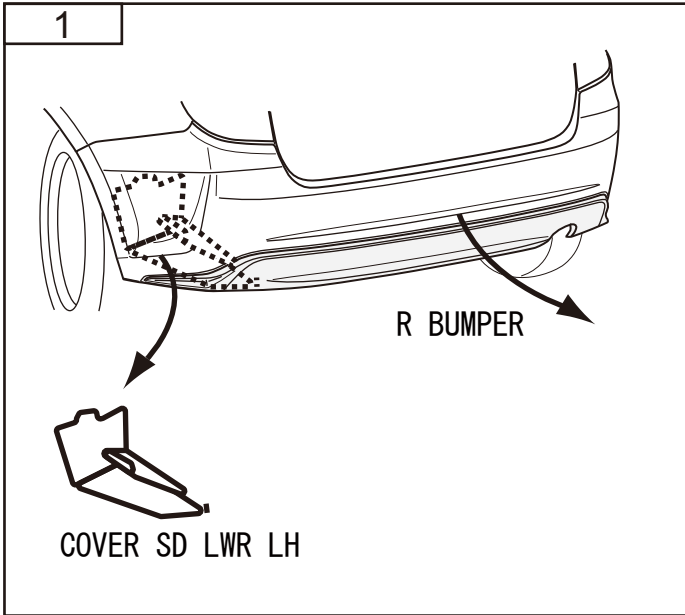
## Tools



3mm / 6mm / 10mm

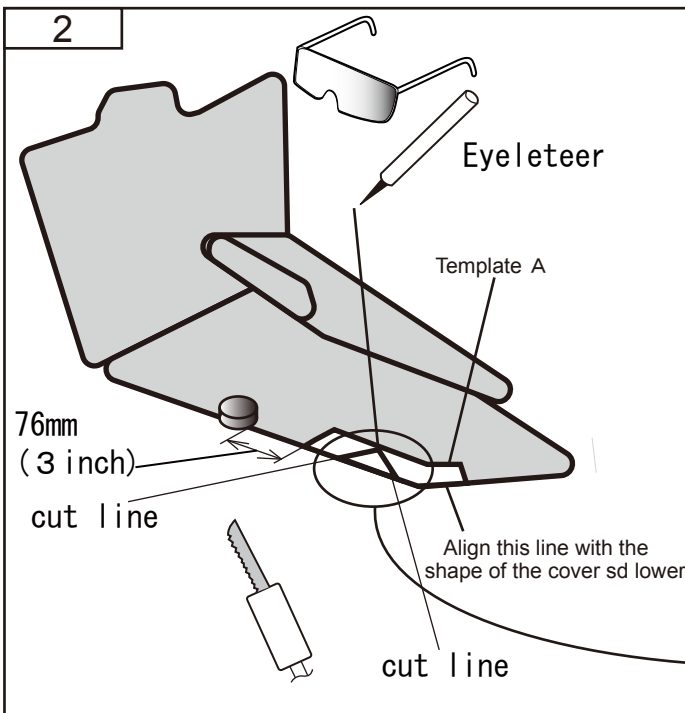
## Before Work

- When installing this product, park the car on a level ground and apply the parking brake.
- When installing this product, be sure not to damage the car body.
- Before installing this product, wipe off any dirt or oil film from the rear bumper attachment surface with a soft waste cloth dampened in a neutral detergent. Then, let it dry completely before work.
- The adhesive strength is weakened significantly when the temperature is 15°C or lower. In this case, use a dryer to warm up the double-sided tape before attachment. (Do not warm up excessively as doing so may result in deformation.)
- Be extremely careful not to let this product get wet by washing, etc. for 24 hours after attaching it. Dosing so may cause the product to come off.
- Observe the contents of " ⚠️ Precautions " strictly follow the instructions for safe and secure installation and preservation of parts, etc.
- To protect yourself from burns, make sure to stop the engine and let it cool completely before work.



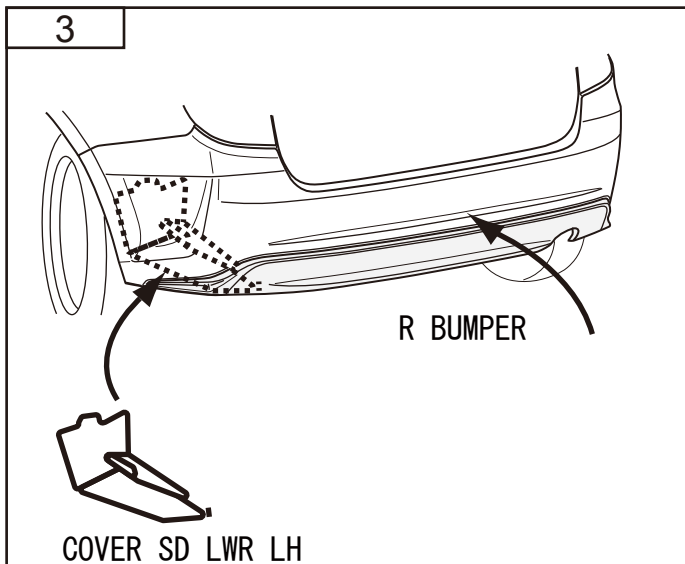
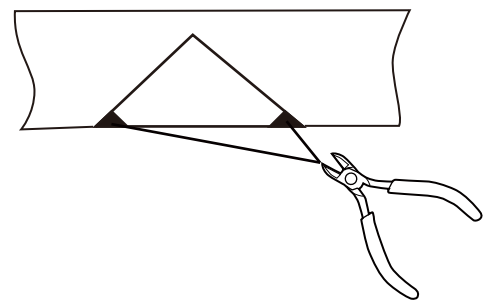
Remove the R BUMPER and COVER SD LWR LH

Work refers to the Subaru Service Manual



Cut in the COVER SD LWR LH

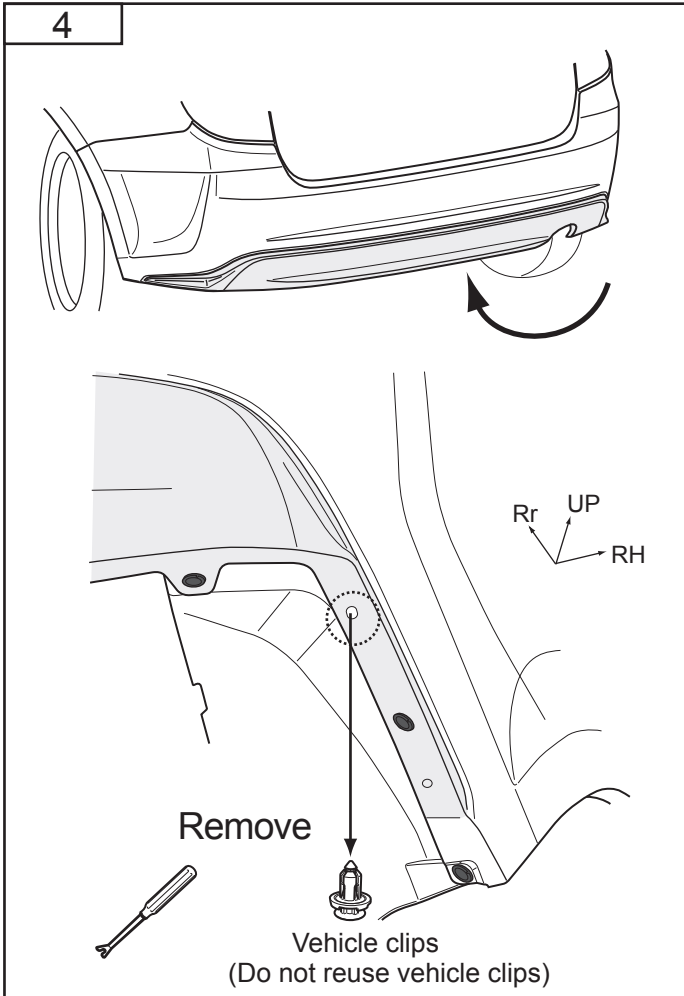
1. Set the template A on the cover sd lwr LH as shown in figure 2.
2. Drilling the intersection of the cut line at eyelet.
3. Cut off the terminal of the cut line with nippers.
4. Cut off the cut line in the Air Saw.
5. To remove the debris of the cut terminal with a file.



To restore the R BUMPER and COVER SD LWR LH

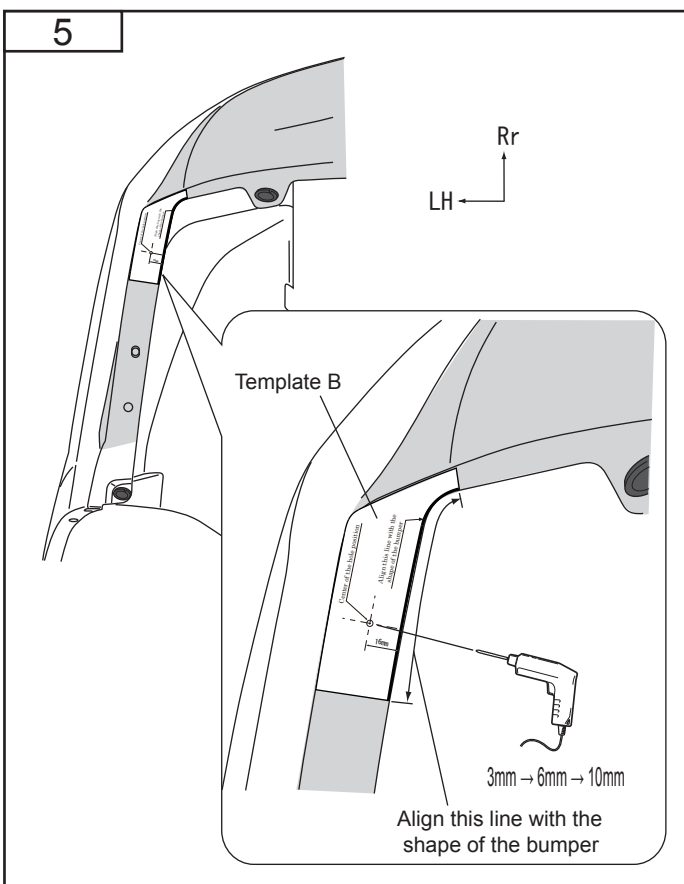
Work refers to the Subaru Service Manual

4



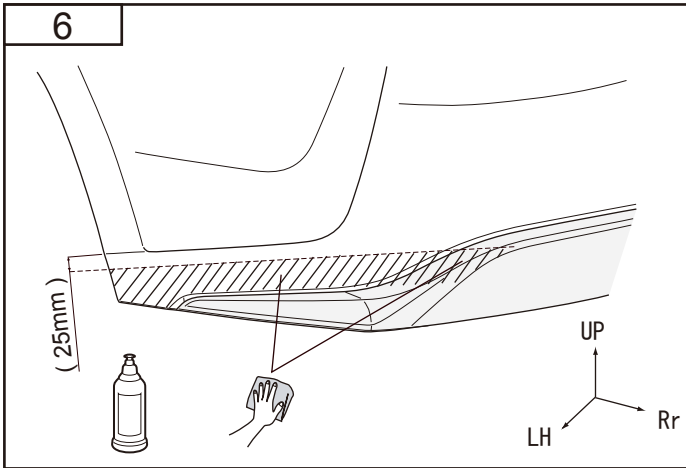
Remove the vehicle clips (RH Only)

5

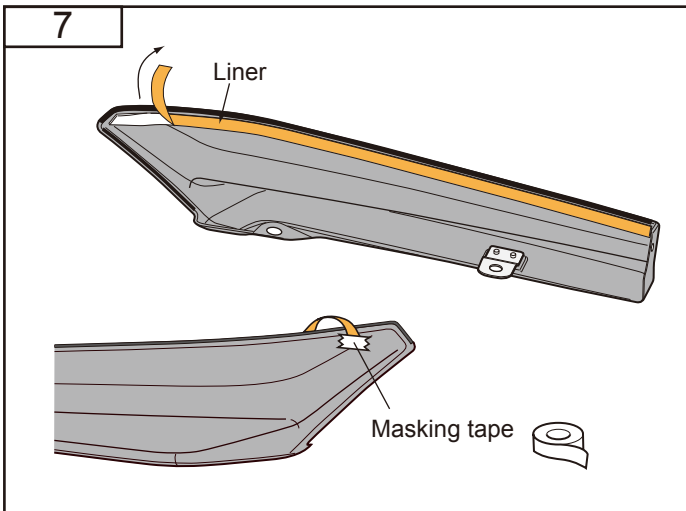


Drilling holes in the rear bumper (LH Only)

1. Set the templates on the rear bumper as shown in figure 5.
2. Put marks on the bottom side of the rear bumper according to the template B. Drill 3mm (0.12 inch) holes, 6mm (0.24 inch) holes and then 10mm (0.4 inch) holes. (1 places on the LH )

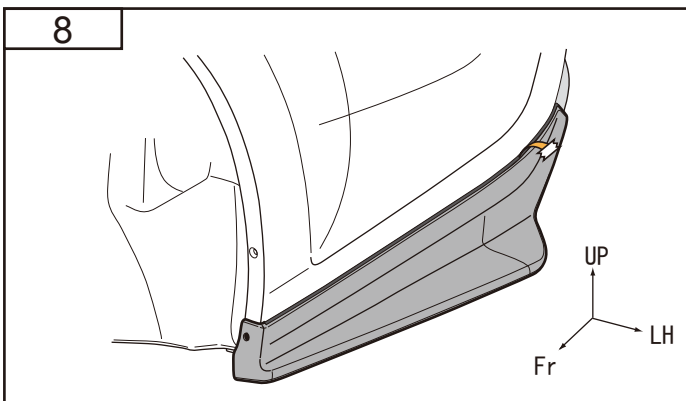


**Degrease the Rear bumper.**



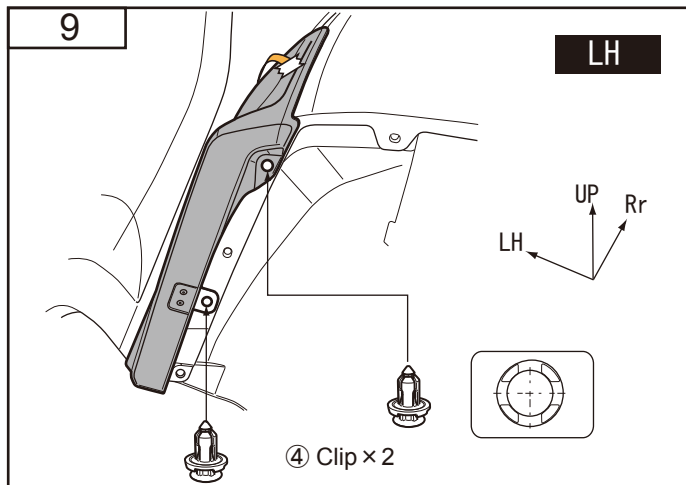
**Peel back the liner of the double-side adhesive tapes**

Peel the double-sided tape liners of the Rear side under spoiler, and affix with masking tape to the product outer surface side.

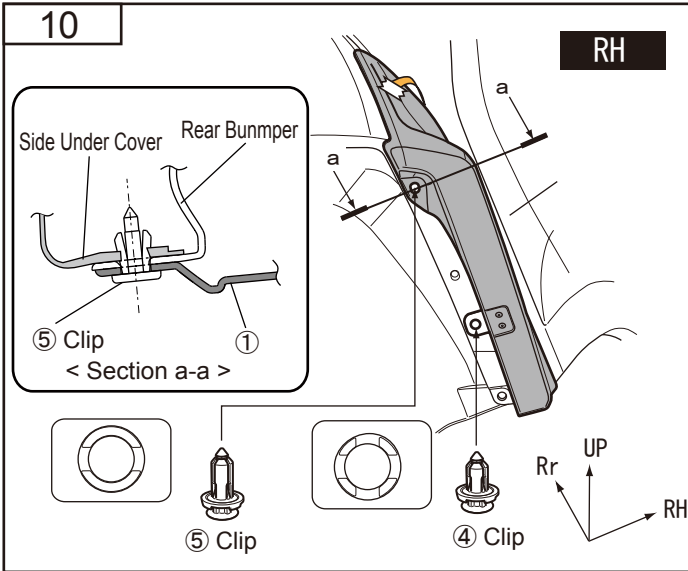


**Installing the Rear side under spoiler**

1. Adjust the rear spoiler as shown in the figure 8.



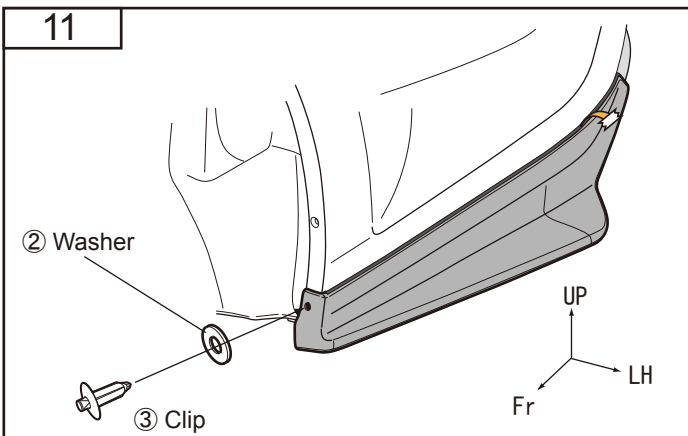
2. Fix the lower side of the Rear side under spoiler to the rear bumper with ④ Clips. (figer 9 ; LH)



Fix the lower side of the Rear side under spoiler to the rear bumper with ④ Clip and ⑤ Clip.  
(figer 10 ; RH)

④ Ciip  
(2 places on the LH and 1places on the RH; 3 plases in total)

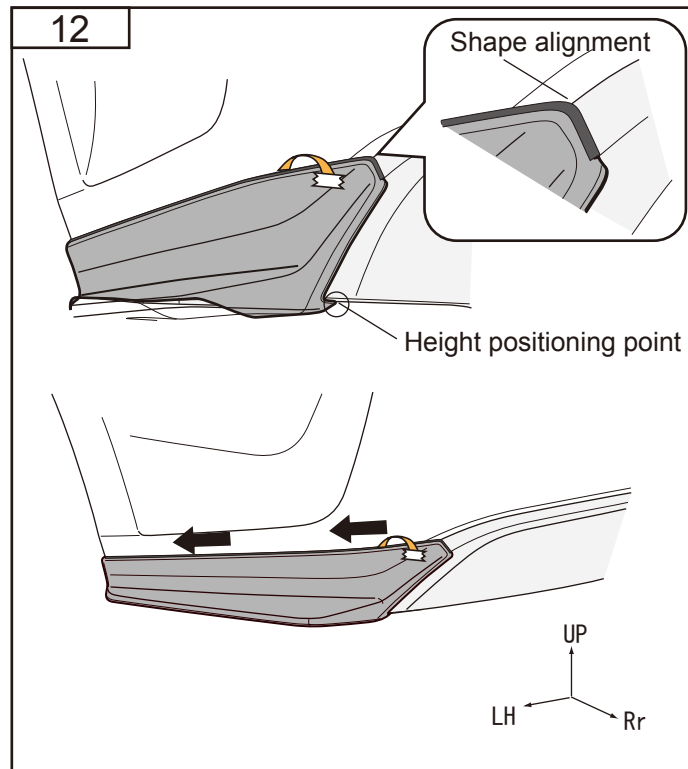
⑤ Ciip  
(1 places on the RH; 1 plases in total)



3. Fix the wheel arch of the rear side under spoiler to the rear bumper with ② Washer and ③ Clip.

② Washer  
(1 places on the LH and RH sides; 2 places in total)

③ Clip  
(1 places on the LH and RH sides; 2 places in total)



4. Abut against the bottom shape of the Rear side under spoiler on the Rear bumper, and set the height to fit the top of the convex shape to concave shape of the rear bumper.

Pressure-fix the Rear side under spoiler to the bumper while pulling out the double sided tape liners in the order shown.