



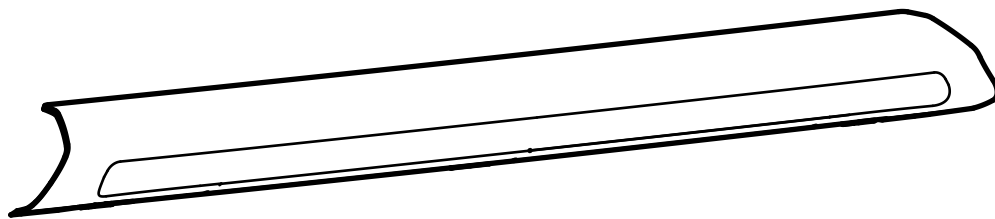
SUBARU

PART NUMBER: E551SXC100

DESCRIPTION: Ascent Front Bumper Under Guard

INSTALLATION INSTRUCTIONS

KIT CONTENTS:



Front Bumper Under Guard x 1



Snap Clip x 2

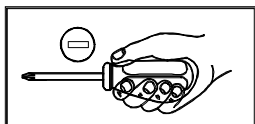
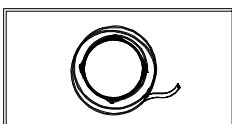


Retainer Plug x 1



Alcohol Wipe x 1

TOOLS REQUIRED:

Flat Head
Screwdriver

Masking Tape

MEANING OF CHARACTERS:



: Remove

T

: Tightening Torque



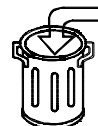
: Install



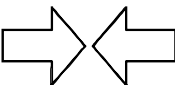
: Loosen



: Disconnect



: Discard



: Connect



: Reuse



: Location of Clip or Screw

DESCRIPTION

Ascent Front Bumper Under Guard

ISSUE

01

DATE

06-13-22

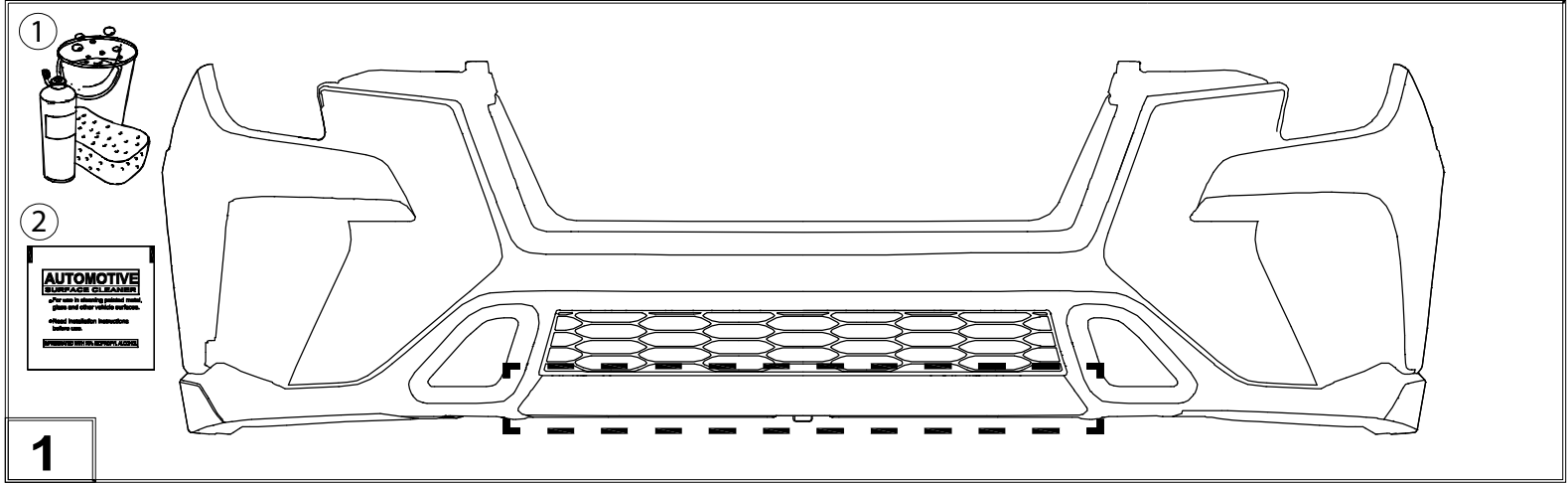
SUBARU OF AMERICA

PAGE

1/4

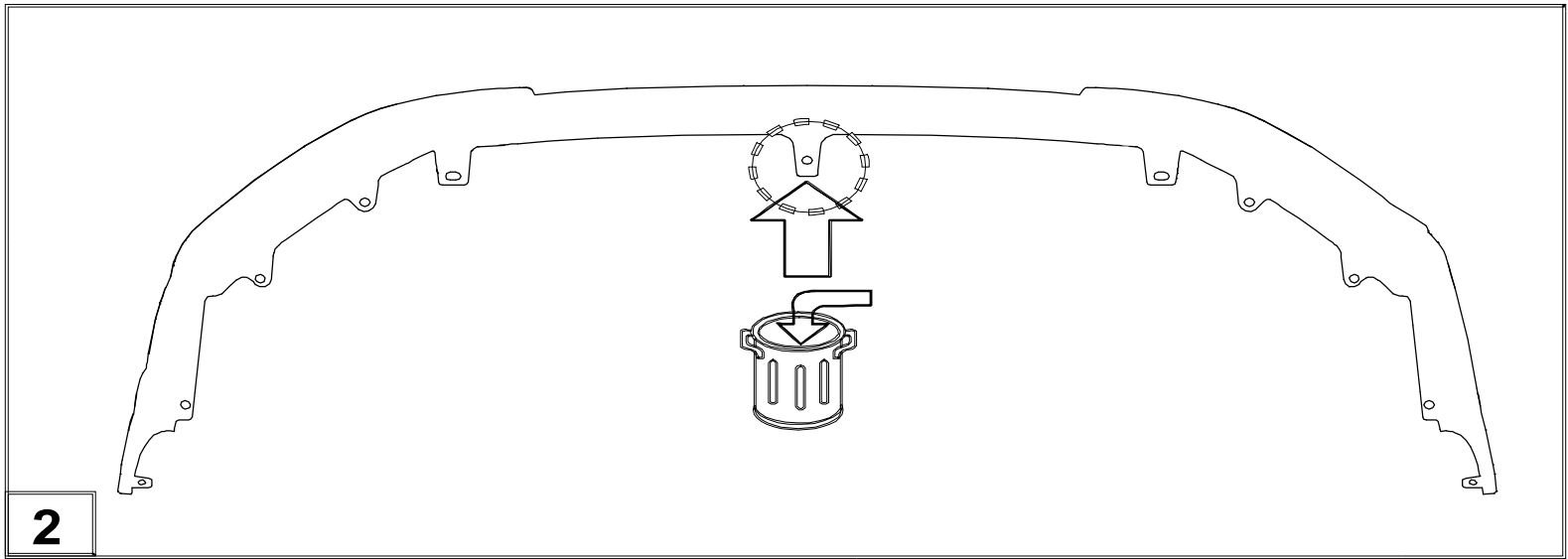
Surface Preparation

SK775

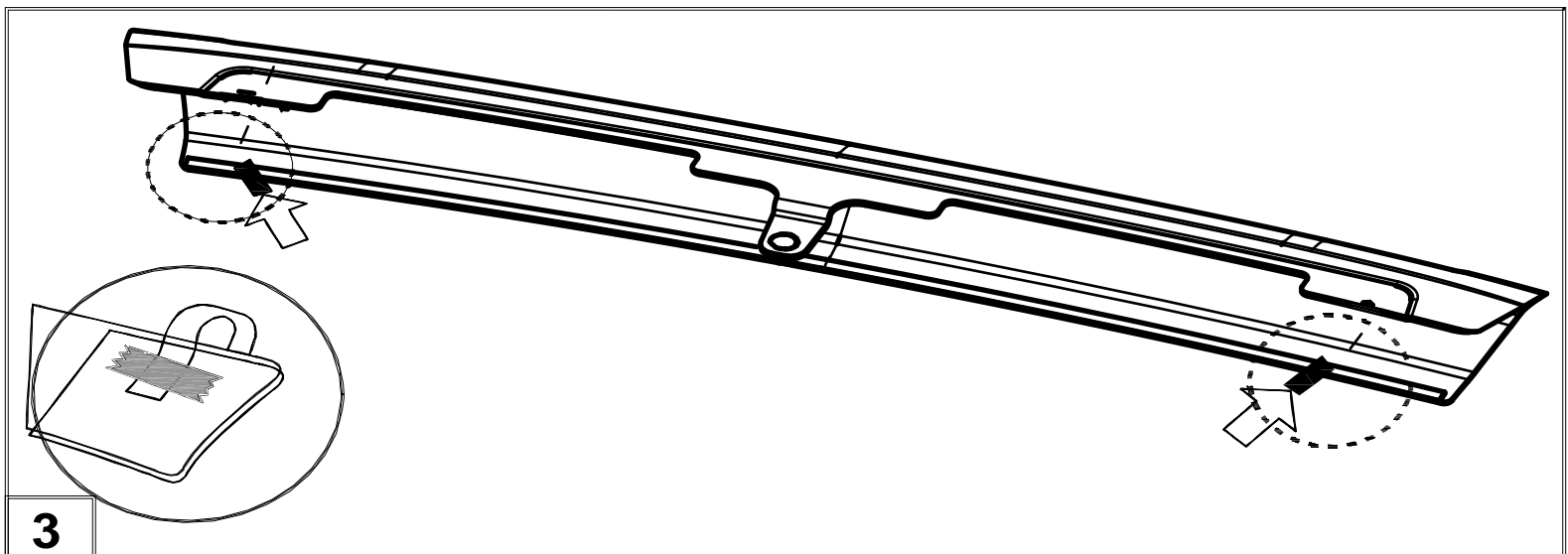


Make sure that all installation surfaces are clean, free of dirt, grease and debris using soap and water solution. Clean the indicated tape adhesion area with the alcohol wipe (provided).

Front Bumper Under Guard Installation

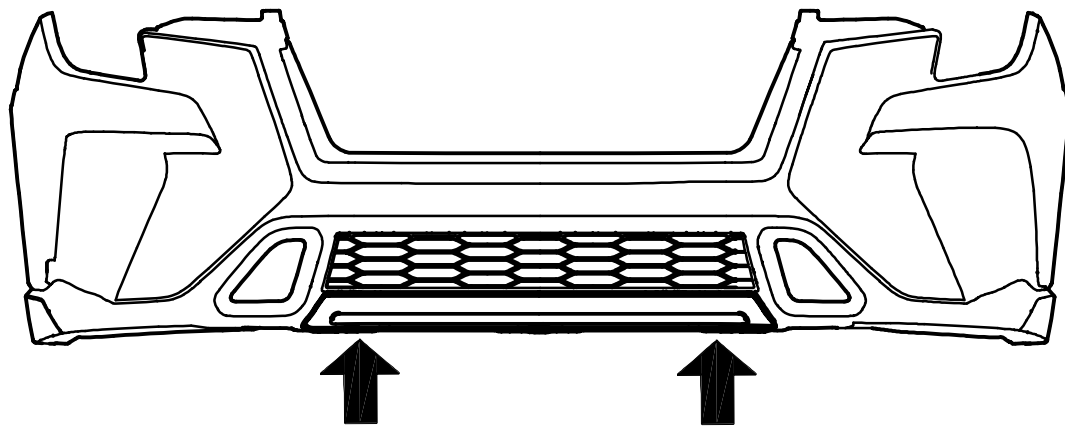


Identify the center location of the factory retainer in underside of bumper and remove with either flat head screwdriver or plastic pry bar. Discard the retainer.



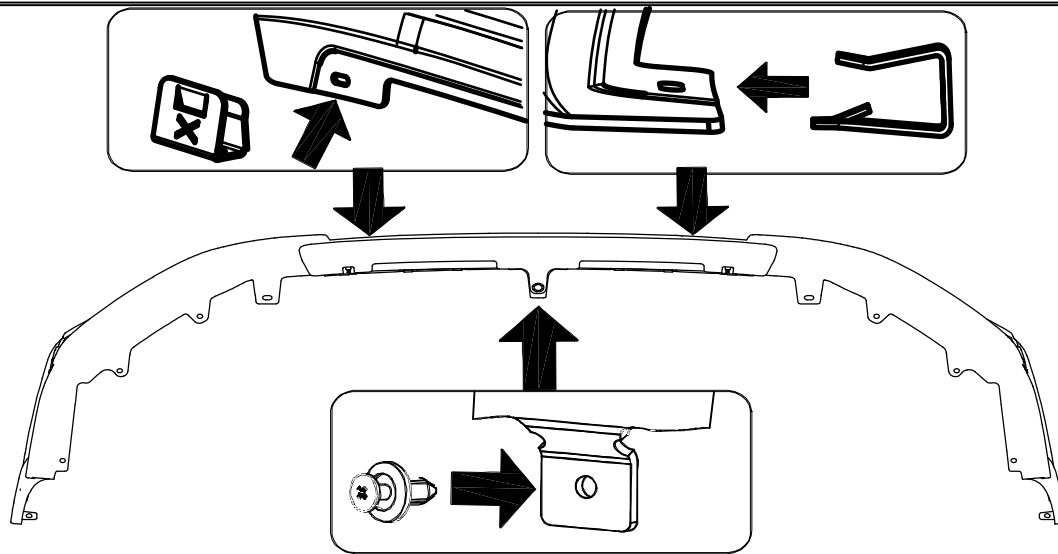
Peel back approx. 50mm / 2" of tape liner at each end of the part and fold at 45 degrees to part. Tape peeled back section of tape liner to outside surface of the bumper under guard using masking tape.

DESCRIPTION	ISSUE	DATE	SUBARU OF AMERICA	PAGE
Ascent Front Bumper Under Guard	01	06-13-22		2/4



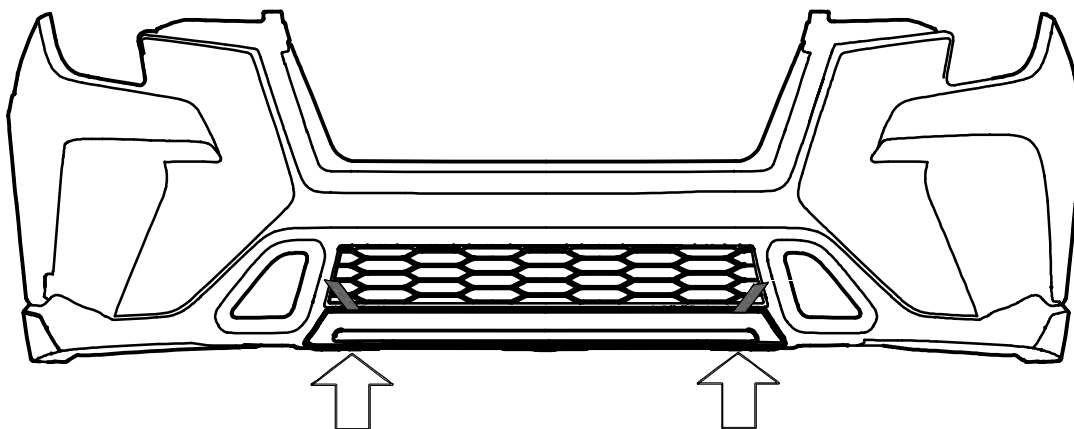
4

Install Front Bumper Under Guard in position of best fit ensuring that folded tape liners remains outside.



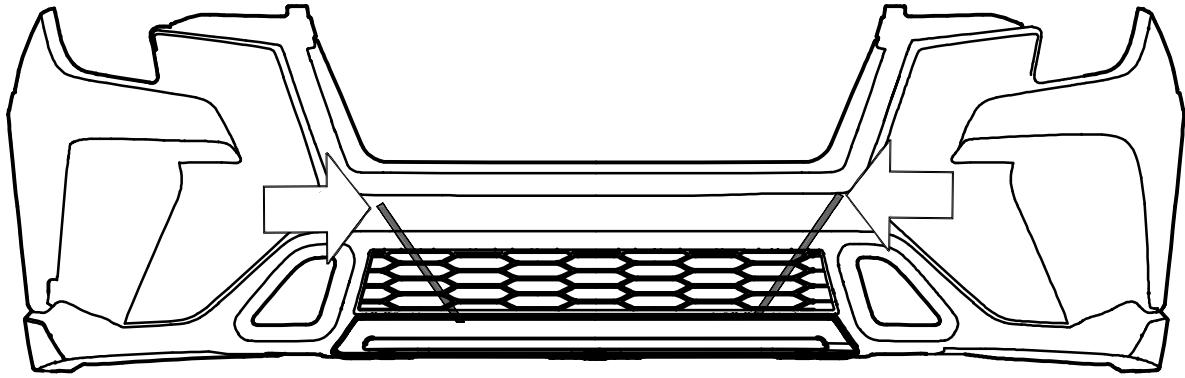
5

Install provided replacement retainer plug in center hole and (2) snap clips on the sides in Front Bumper Under Guard.



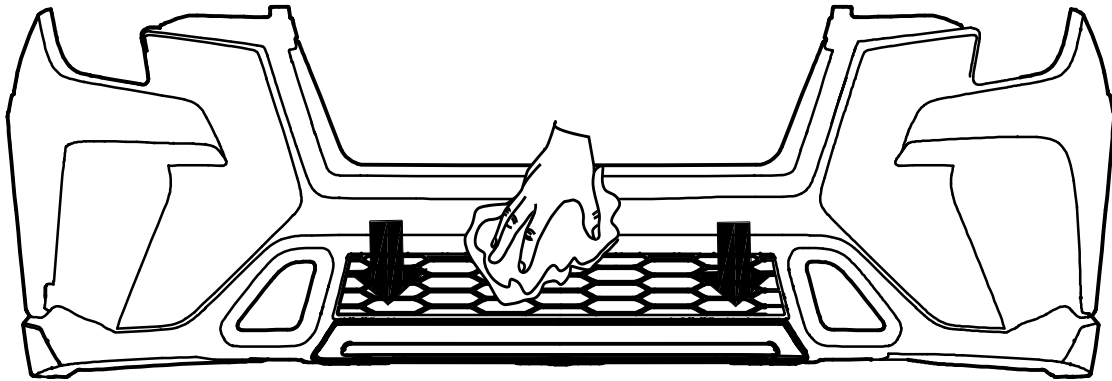
6

Apply moderate forward pressure towards bumper for product best fit, then apply pressure to the ends of the Front Bumper Under Guard where the double sided tape liner has been removed, (as shown).



7

While applying moderate forward pressure towards bumper, pull exposed tape liners towards opposite end of Front Bumper Under Guard, one side at a time (as shown).



8

With a clean, dry microfiber towel, apply pressure to taped surface of Front Bumper Under Guard, (as shown) going from side to side approx. 5 times to ensure proper tape adhesion is achieved.