



STI FRONT LIP SPOILER

Installation Manual

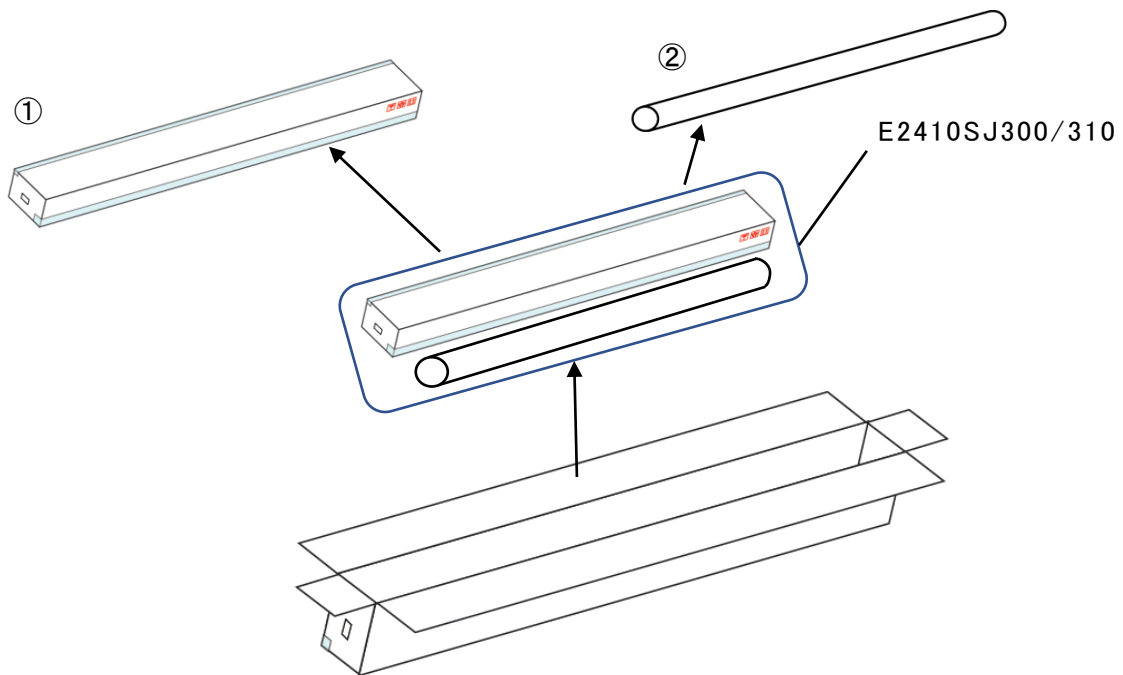
PART.No E2410SJ300/310

Applicable FORESTER (22MY~)

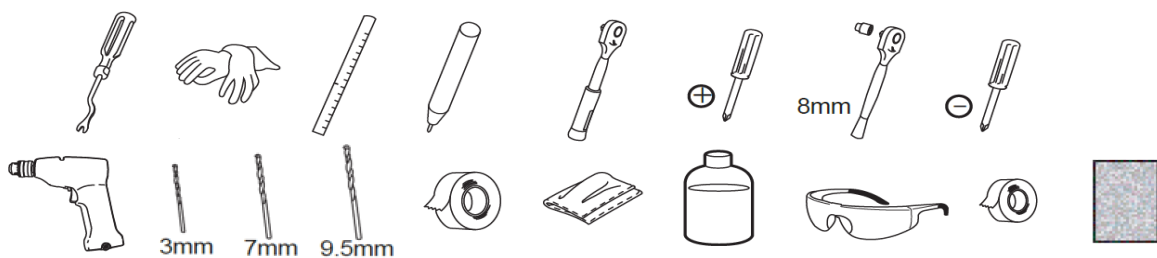
This document describes how to install the STI Front Lip Spoiler.
For correct installation, make sure to read this document before installation.

KIT CONTENTS

| No. | Part Description | Quantity |
|-----|-----------------------|----------|
| ① | Front Lip Spoiler Kit | 1 |
| ② | Gurney Flap Kit | 1 |



TOOLS REQUIRED



<CAUTION>

- (1) Perform installation properly according to the procedures indicated in the instruction manual.
Improper installation can result in damage to your vehicle or serious injury.
- (2) Be careful when driving after installing this product as ground clearance at the center section is decreased by approximately 45 mm (1.77 inches).
- (3) Never use gasoline, thinner, acid, alkaline or other organic solvent to clean this product.
- (4) This product can become deformed if exposed to high heat.
- (5) Always keep this instruction manual in your vehicle.

- (1) Procédez à la repose correctement conformément aux procédures indiquées dans le manuel d'instructions.
Toute repose incorrecte peut endommager sérieusement votre véhicule ou provoquer des blessures graves.
- (2) Faites attention lors de la conduite du véhicule après la repose de ce produit, la garde au sol au niveau du passage la section centrale étant réduite d'environ 45 mm (1,77 pouces).
- (3) N'utilisez jamais d'essence, de diluant, de solvant acide, alcalin ou tout autre solvant organique pour nettoyer ce produit.
- (4) Ce produit peut se déformer s'il est soumis à des températures élevées.
- (5) Conservez toujours le présent manuel d'instructions dans votre véhicule.

- (1) Führen Sie die Installation exakt nach den Verfahren durch, die in der Bedienungsanleitung beschrieben sind.
Unsachgemäße Installation kann zu Schäden an Ihrem Fahrzeug oder zu schweren Verletzungen führen.
- (2) Fahren Sie nach der Installation dieses Produkts vorsichtig, im mittleren Bereich um ca. 45 mm (1,77 Zoll) reduziert ist.
- (3) Verwenden Sie niemals Benzin, Verdüner, Säuren, Laugen oder andere organische Lösungsmittel zur Reinigung dieses Produkts.
- (4) Dieses Produkt kann sich bei starker Hitze verformen.
- (5) Bewahren Sie diese Bedienungsanleitung immer in Ihrem Fahrzeug auf.

- (1) Realice la instalación correctamente según los procedimientos que se indican en el manual de instrucciones.
La instalación incorrecta puede provocar daños en su vehículo o lesiones graves.
- (2) Tenga cuidado cuando conduzca después de instalar este producto, debido a que la distancia libre al suelo la sección central disminuye aproximadamente 45 mm (1,77 pulgadas) .
- (3) No utilice nunca gasolina, diluyente, ácido, productos alcalinos u otros disolventes orgánicos para limpiar este producto.
- (4) Este producto puede deformarse si se expone a una fuente de calor elevado.
- (5) Guarde este manual de instrucciones en su vehículo en todo momento.

- (1) Eseguì l'installazione correttamente in base alle procedure indicate nel manuale di istruzioni.
Una errata installazione può causare danni al veicolo o lesioni gravi.
- (2) Prestare attenzione durante la guida dopo l'installazione di questo prodotto in quanto è stata ridotta la distanza da terra sul sulla sezione centrale rispettivamente di 45 mm (1,77 pollici) .
- (3) Non usare benzina, solventi, acidi, alcalini o altri solventi organici per pulire questo prodotto.
- (4) Questo prodotto potrebbe deformarsi se esposto a calore eccessivo.
- (5) Conservare sempre questo manuale di istruzioni all'interno del veicolo.

- (1) Выполните установку в соответствии с инструкциями в руководстве.
- (2) Будьте осторожны при вождении автомобиля послеустановки данного изделия, поскольку клиренс колесной по центру уменьшается приблизительно на 45 мм (1.77 pollici) .
- (3) Ни в коем случае не используйте для чистки данного изделия бензин, растворитель, кислоту, щелочь или другие органические растворители.
- (4) Под воздействием высокой температуры данное изделие может деформироваться.
- (5) Всегда держите данное руководство в вашем автомобиле.

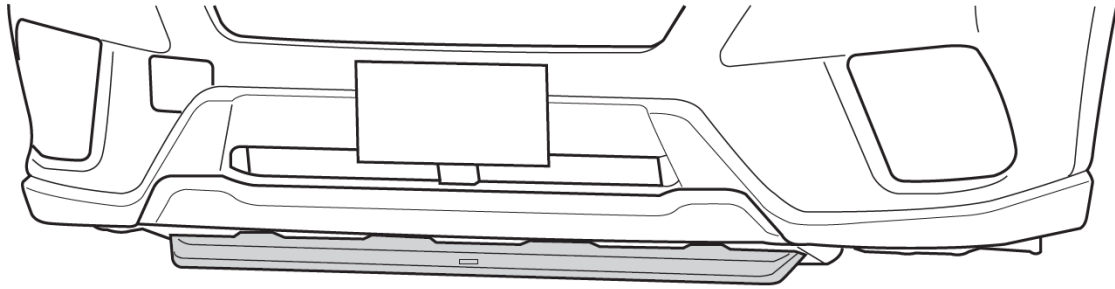
- (1) 请根据安装指导说明书中所述的步骤正确进行安装。
安装不当会导致车辆损坏或严重伤害事故。
- (2) 安装本产品后请小心驾驶，中央部分的离地间隙分别减少了约 45mm (1.77 inch)。
- (3) 切勿使用汽油、稀释剂、酸、碱或其他有机溶剂清洁本产品。
- (4) 本产品处于高温状态下可能会变形。
- (5) 请始终将本安装指导说明书存放在您车中。

1st step. Installing the Front Lip Spoiler

Part No. E2410SJ030/040

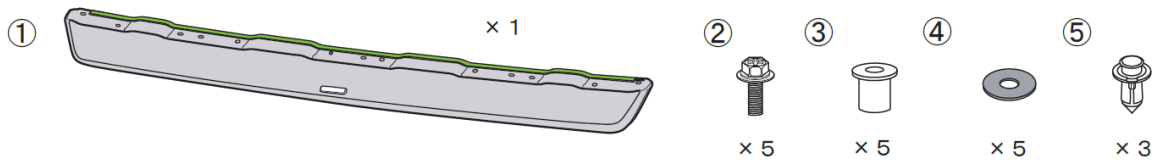
Installation instruction.

Instruction completion illustration

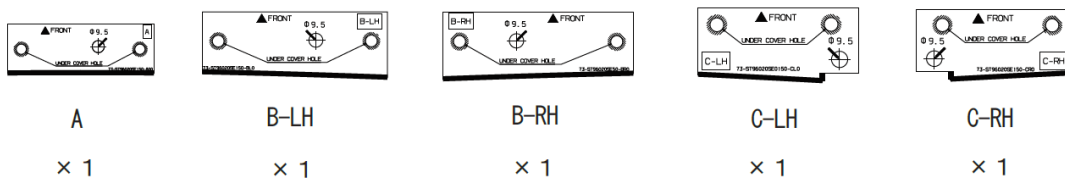


KIT CONTENTS

| No. | Part Description | Quantity |
|-----|-------------------|----------|
| ① | Front Lip Spoiler | 1 |
| ② | Bolt | 5 |
| ③ | Wellnut | 5 |
| ④ | Washer | 5 |
| ⑤ | Clip | 3 |
| ⑥ | Pattern | 5 |



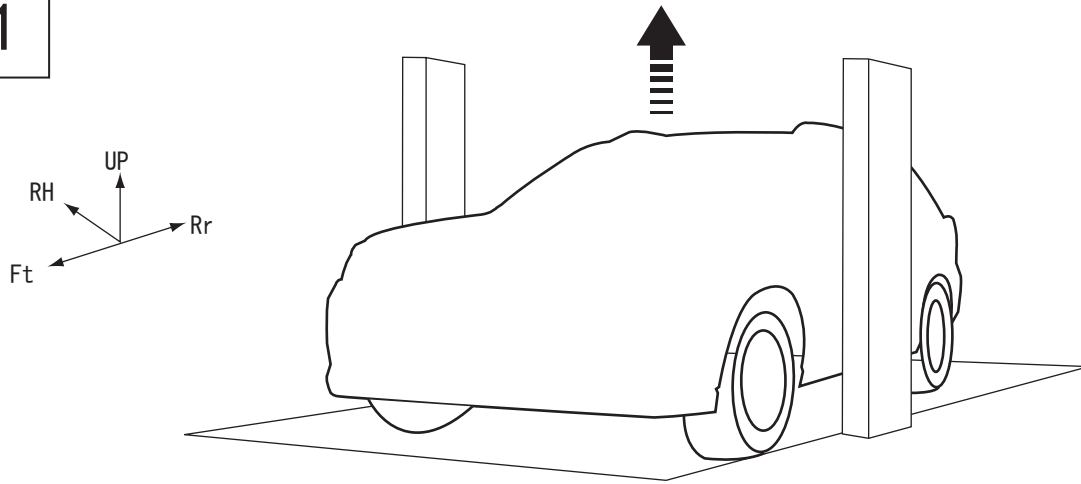
⑥ Pattern



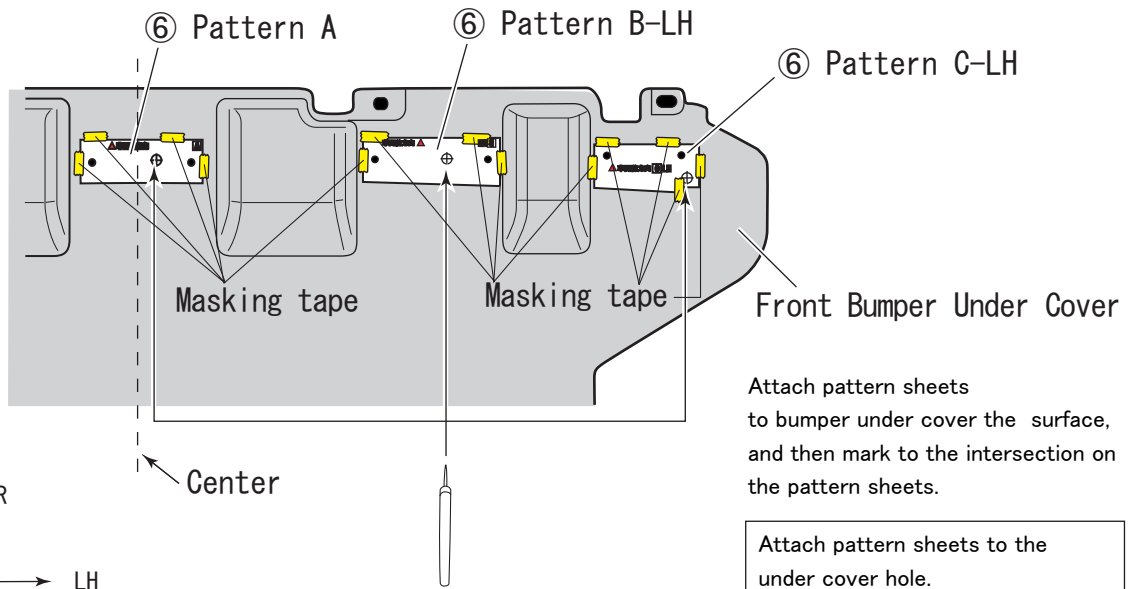
NOTE:

- This instruction shows only LH side. Please repeat the steps on RH side.

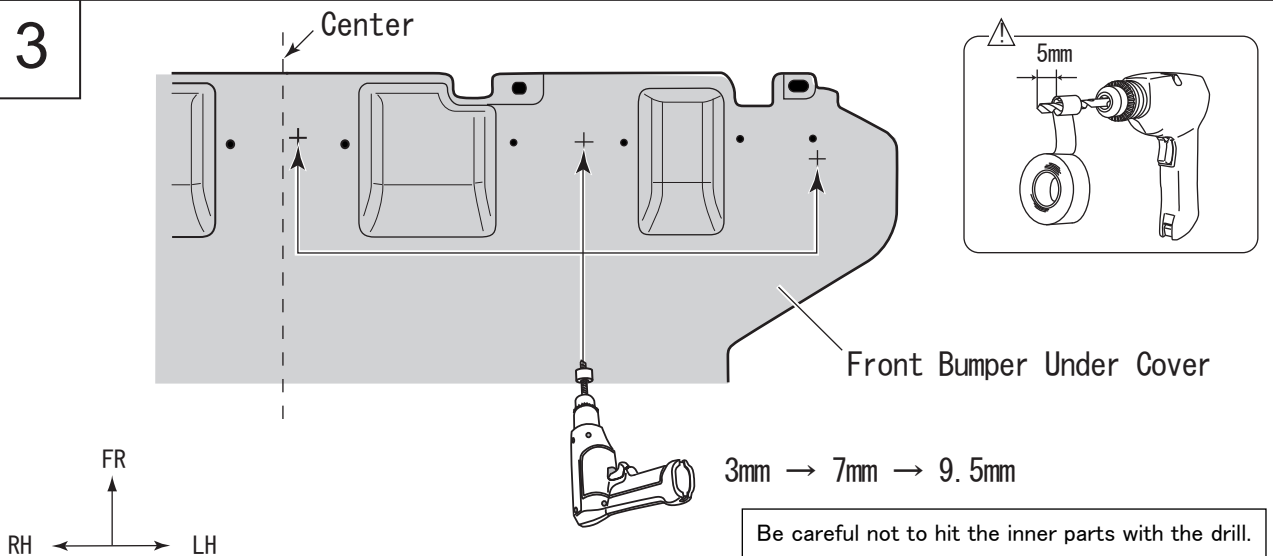
1



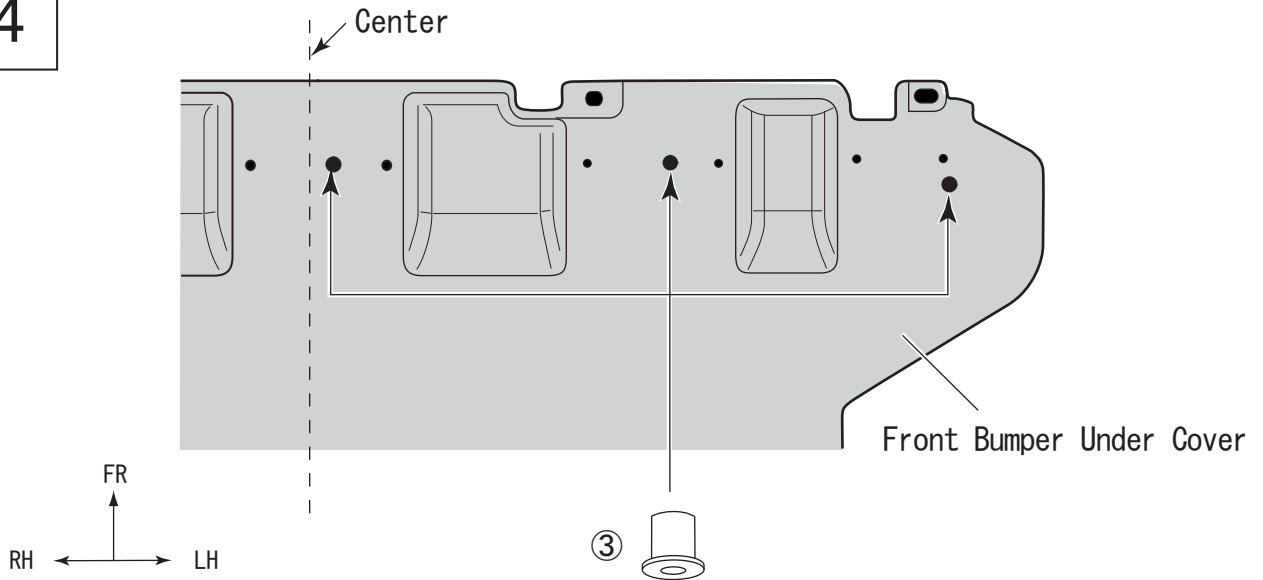
2



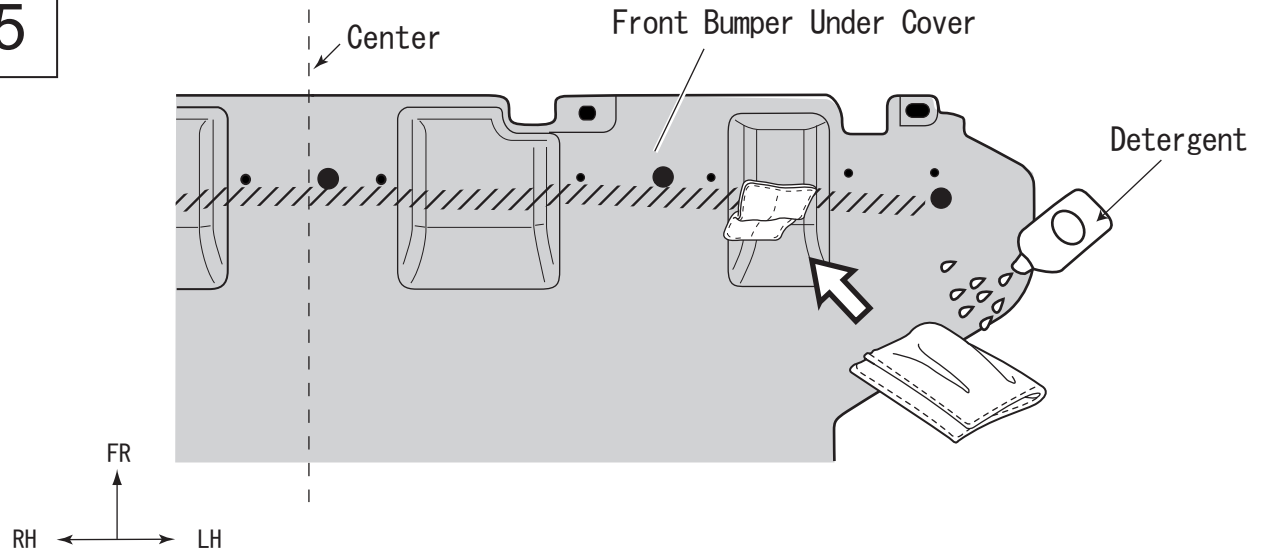
3



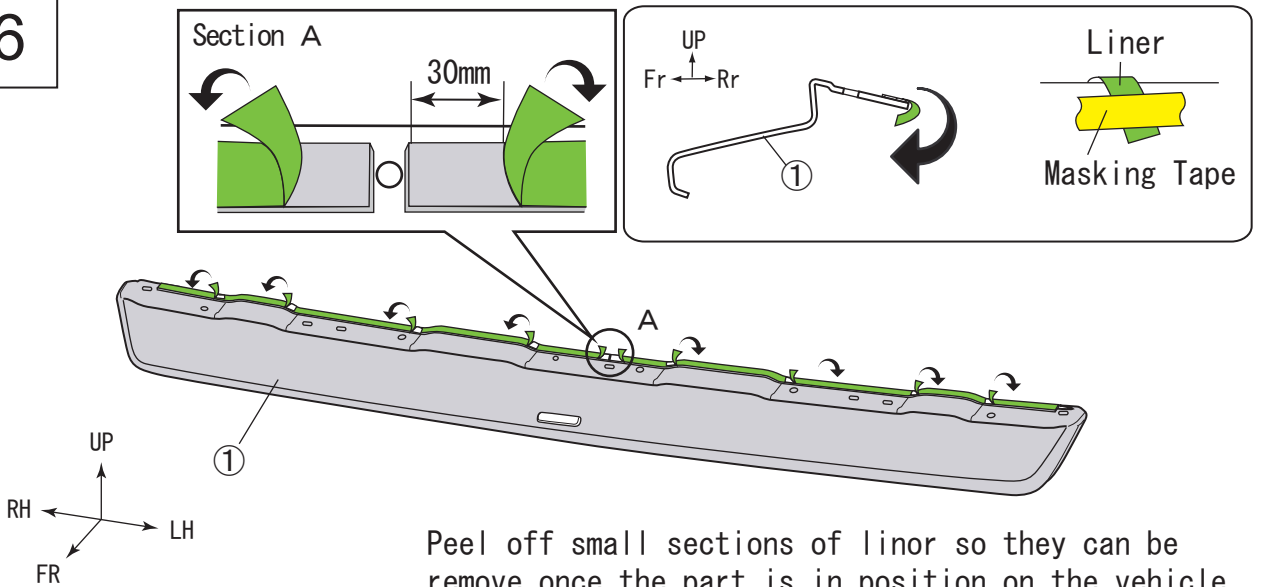
4



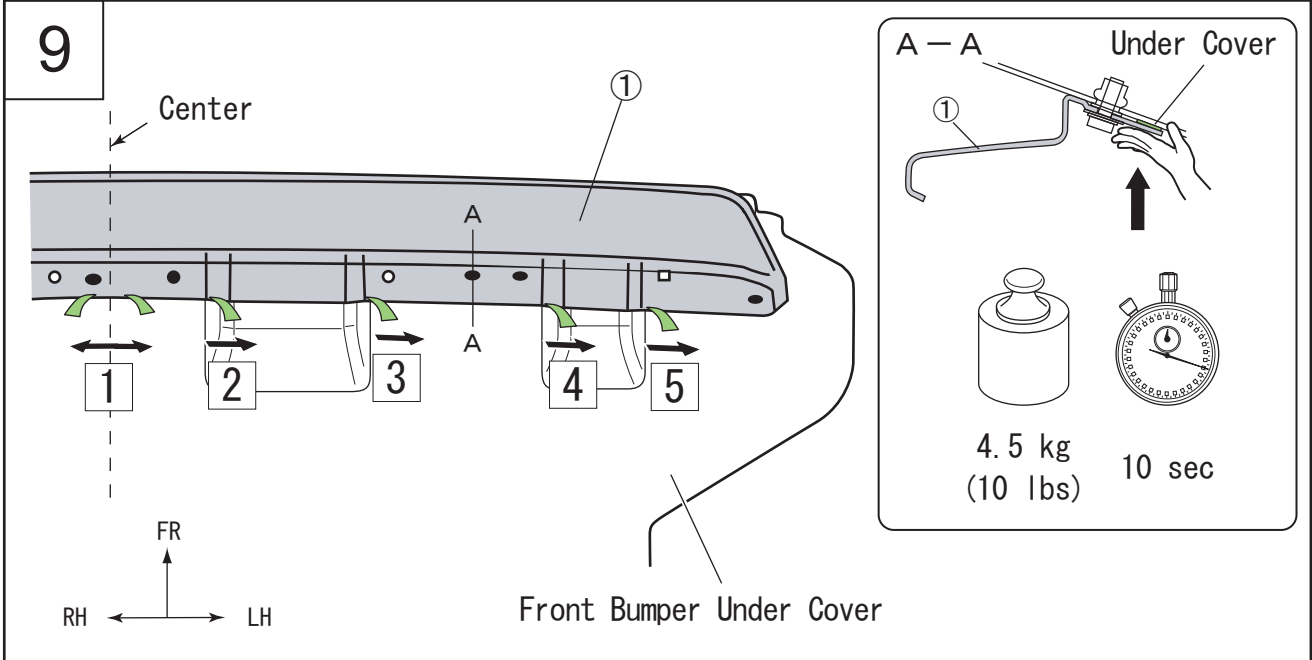
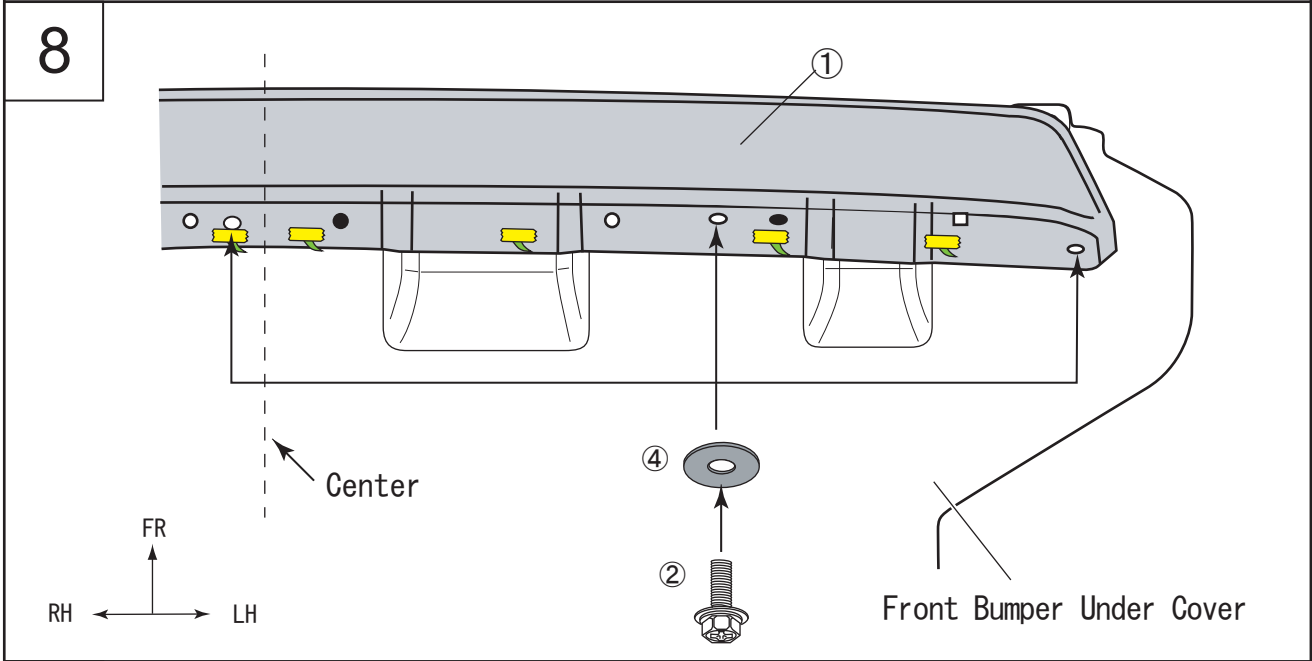
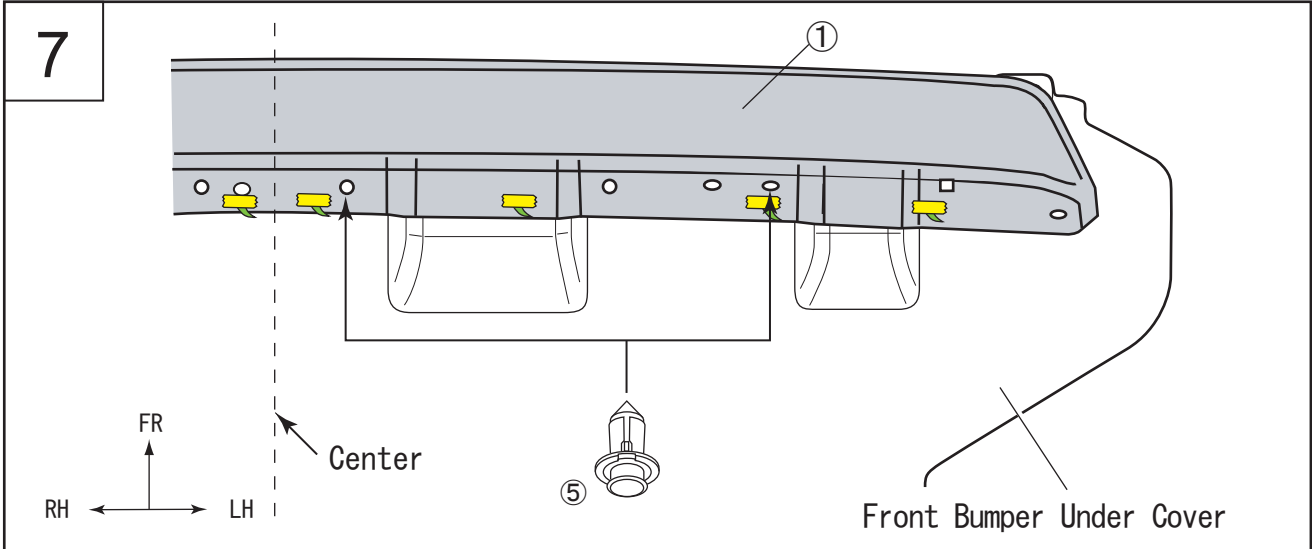
5



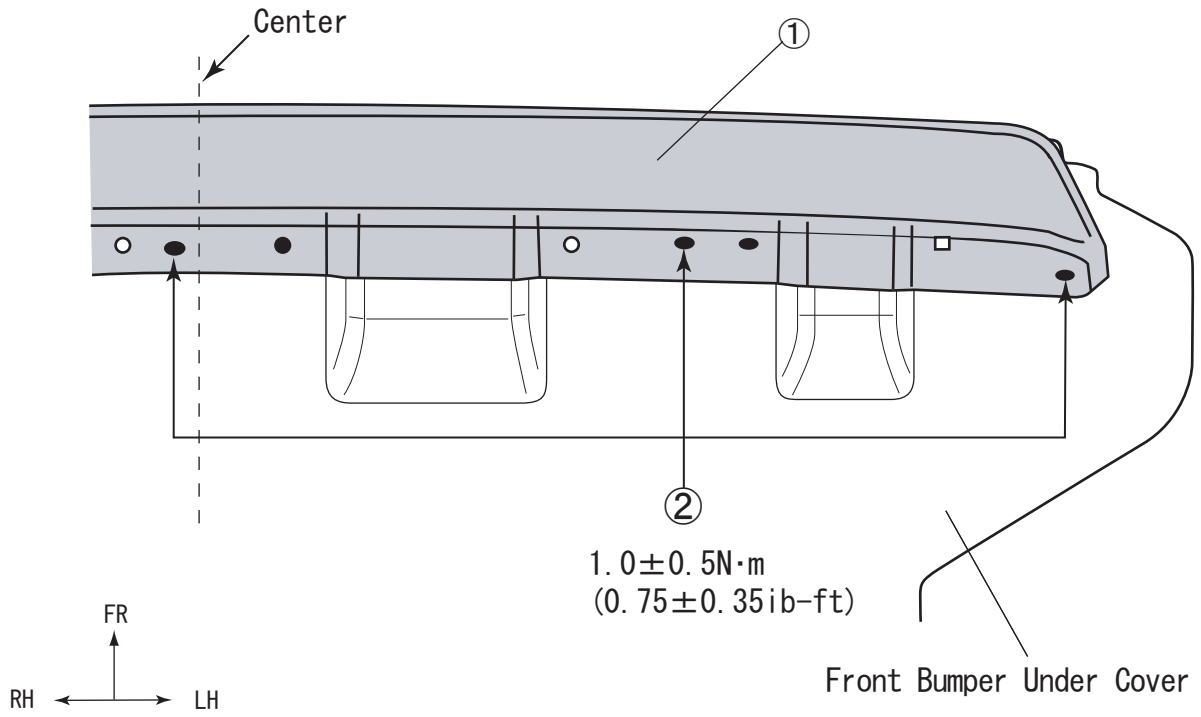
6



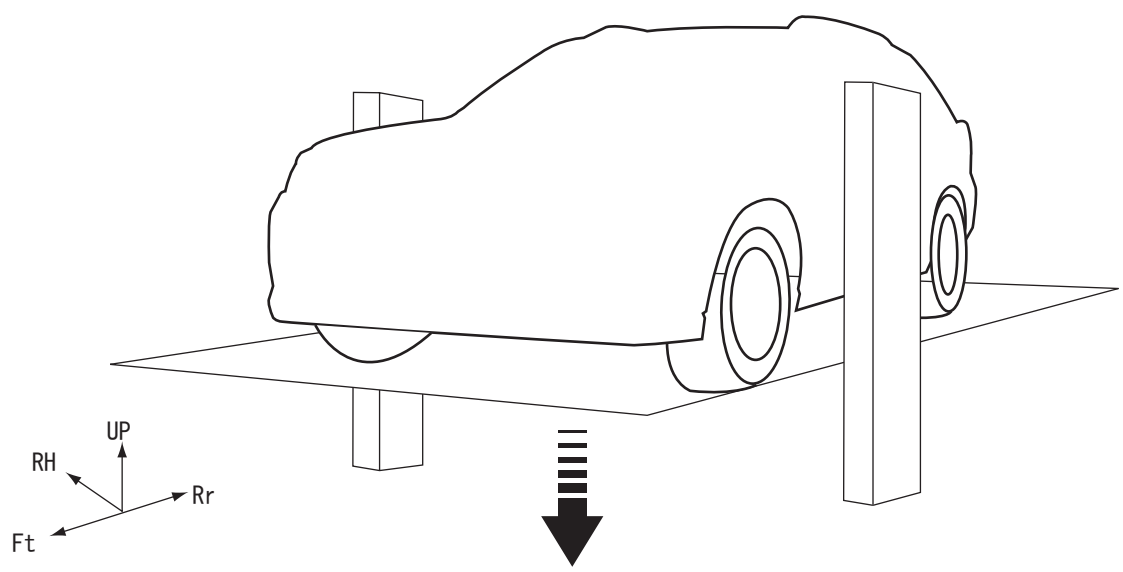
Peel off small sections of liner so they can be remove once the part is in position on the vehicle.



10



11



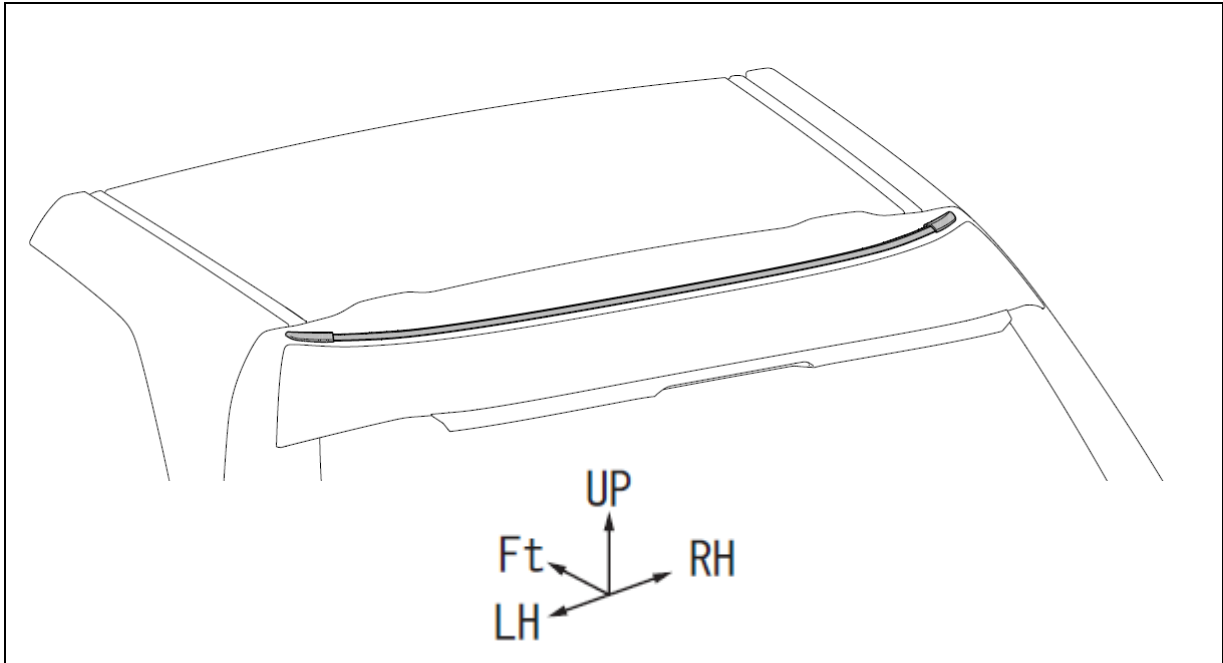
Please proceed to the next step, installing the Gurney flap.

2nd step. Installing the Gurney Flap.

Part No. E2410SJ200

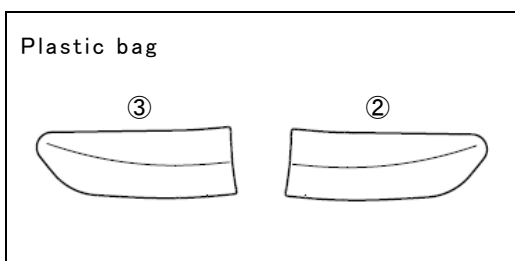
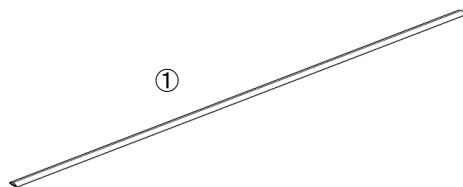
Installation instruction.

Instruction completion illustration



KIT CONTENTS

| No. | Part Description | Quantity |
|-----|------------------|----------|
| ① | Gurney Flap | 1 |
| ② | End cap RH | 1 |
| ③ | End cap LH | 1 |
| ④ | Pattern | 1 |



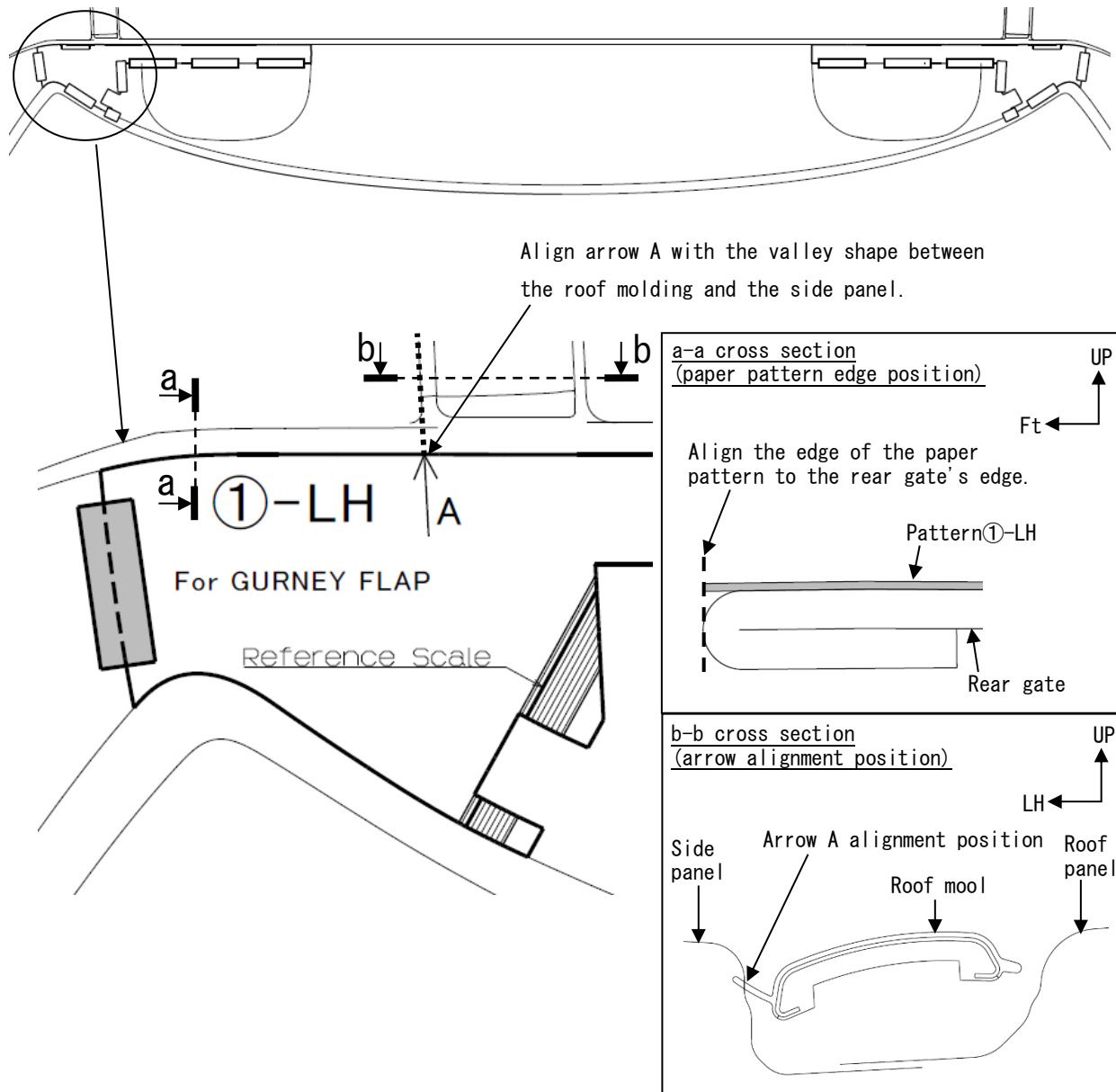
Installation procedure

1. Preparations for installing the Gurney flap

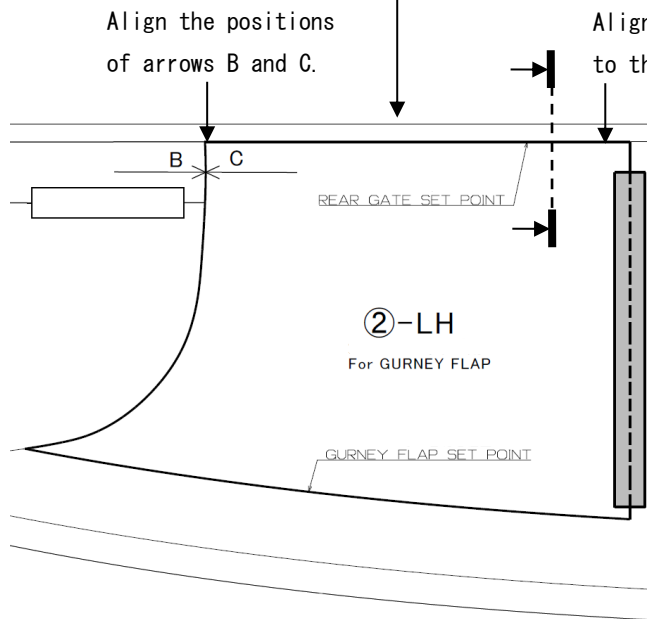
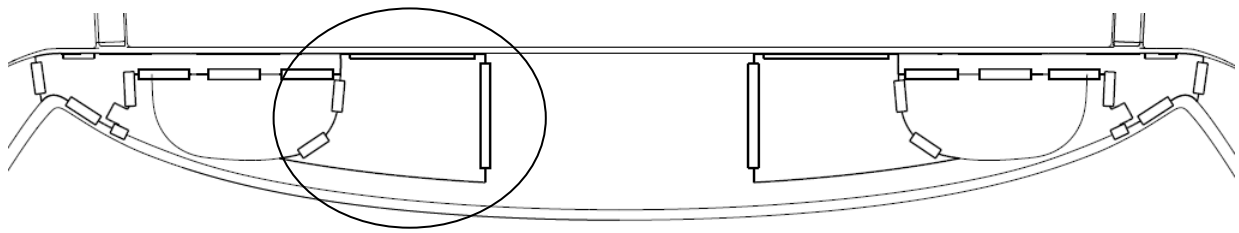


Place a protective cover on the rear bumper to prevent scratches during the work.

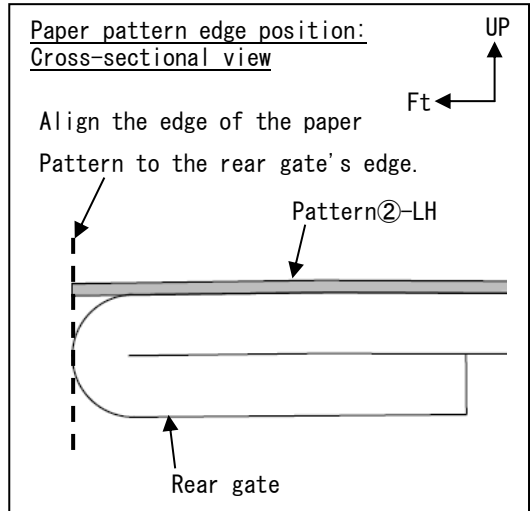
- (1) Clean and degrease the rear gate with a waste cloth impregnated with a degreasing agent (recommendation: nonane).
- (2) Align the edge of the paper pattern (①-LH) to the edge of the rear gate prior to attaching it.



(3) Align the edge of the paper pattern (②-LH) to the edge of the rear gate prior to attaching it.

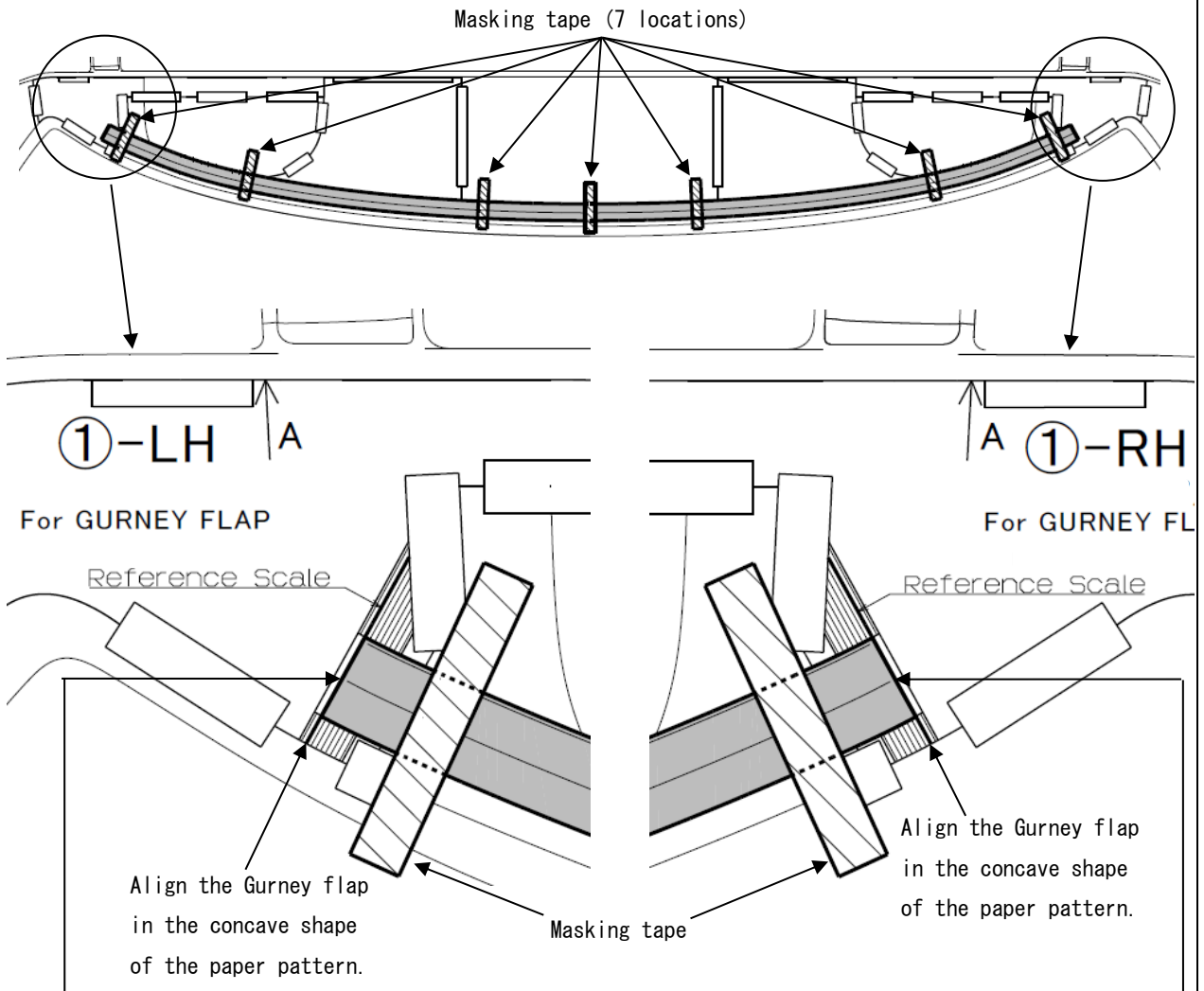


Align the edge of the paper pattern to the rear gate's edge.



2. Installation of the Gurney flap

- (1) Temporarily attach the Gurney flap with masking tape while aligning its left edge with the corresponding position of the paper pattern.



Align the edge position with the reference scale position.

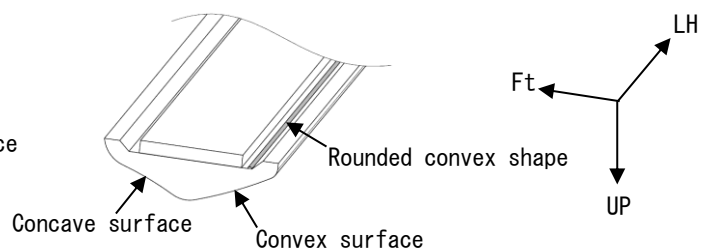
Align the edge position with the same scale position as that of the left edge.

* If the scale positions on the left and right differ, adjust the position of the left edge to make them match.

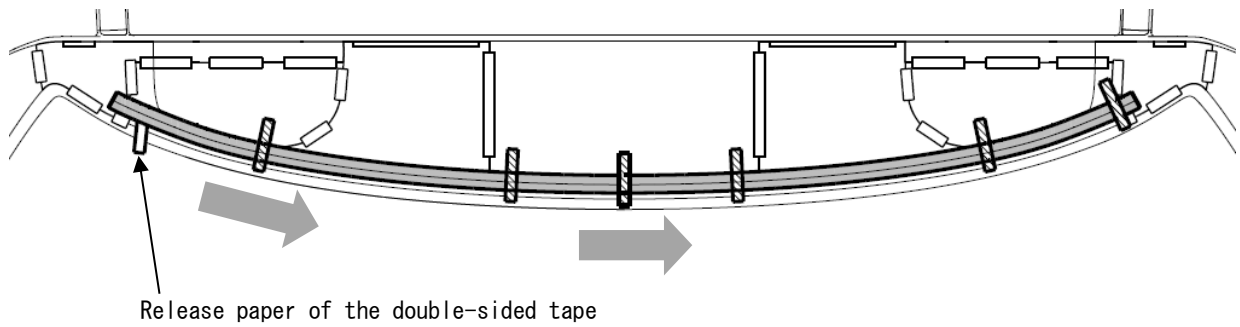
* Make sure that the front-rear direction of the Gurney flap is correct.



The rounded convex shape on the back and the convex surface side of the top surface of the Gurney flap must be placed at the rear of the vehicle.

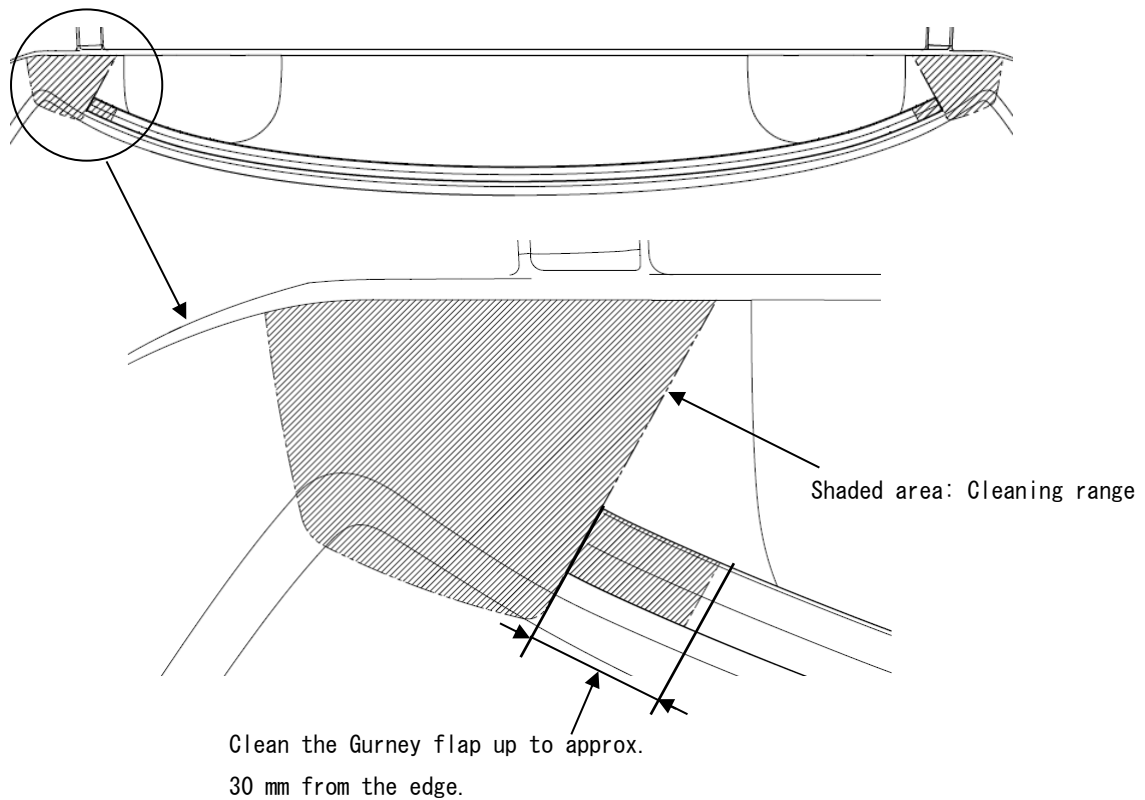


- (2) Peel off approx. 30 mm of the release paper of the double-sided tape from the left edge of the Gurney flap.
Attach the Gurney flap while peeling off the release paper of the double-sided tape.

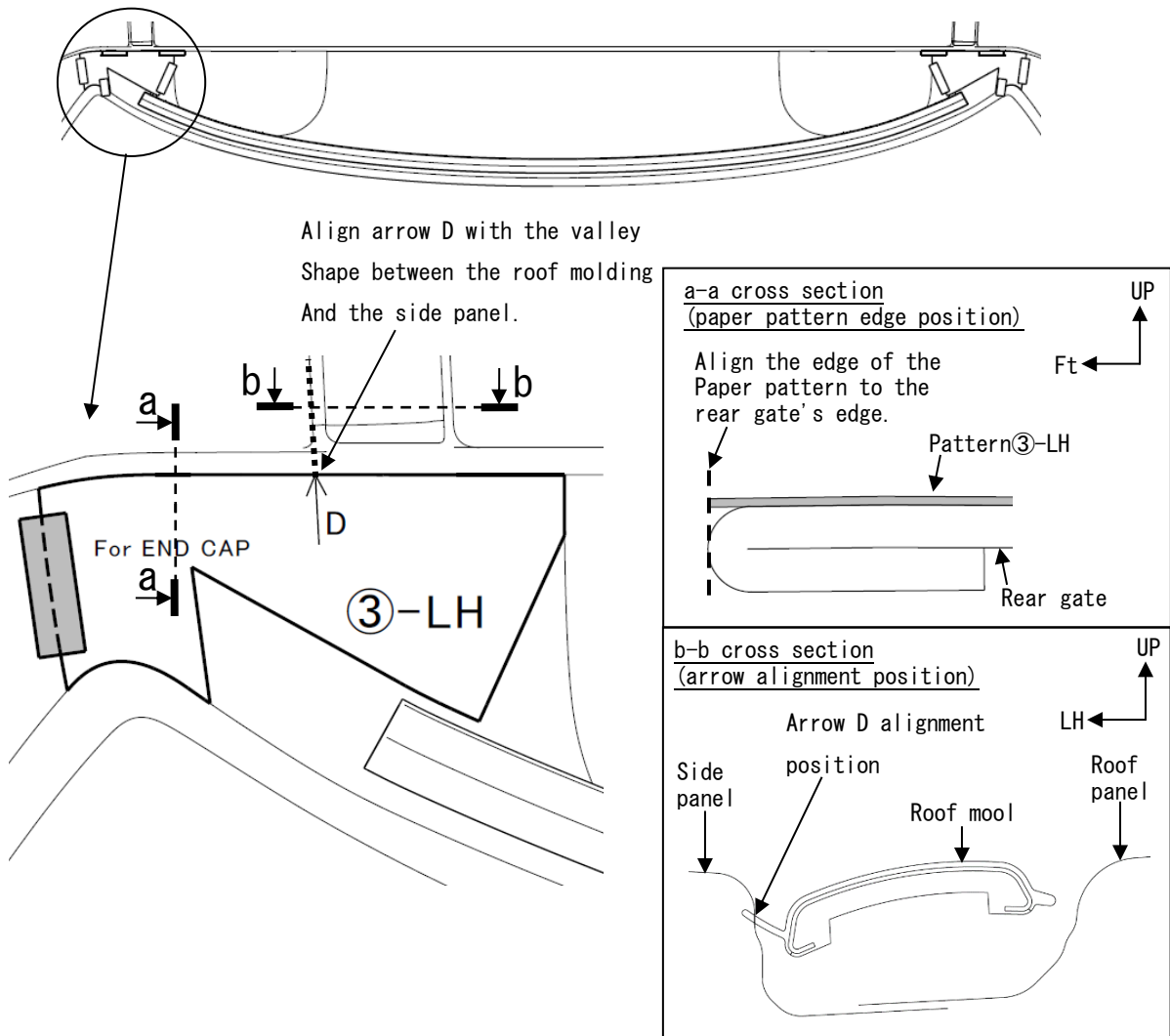


3. Preparation for installing the end caps

- (1) Clean and degrease the attachment surface of the rear gate and the Gurney flap with a waste cloth impregnated with a degreasing agent (recommendation: nonane).

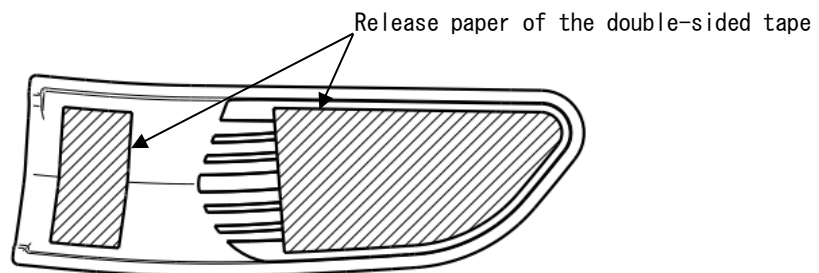


(2) Align the edge of the paper pattern (③-LH) to the edge of the rear gate prior to attaching it.



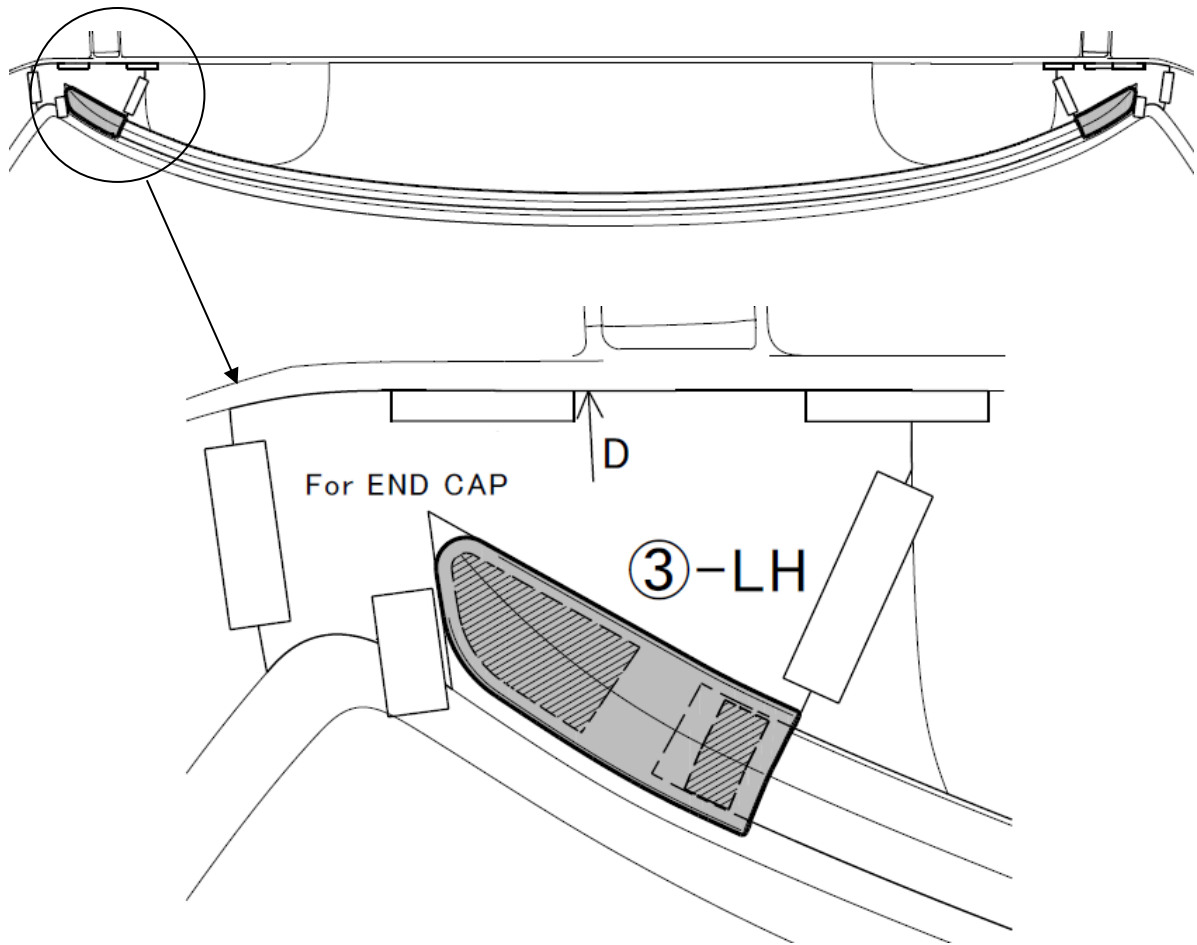
(3) Attach the paper pattern on the right side (③-RH) in a similar manner.

(4) Peel off the release paper (2 pcs) of the double-sided tape of the end cap LH.



4. Installation of the end caps

- (1) Align the edges of the end cap LH to the edges of the paper pattern and attach the end cap without allowing its end part to get on the Gurney flap.



- (2) Attach the end cap RH in a similar manner.

Revised contents

| △ | Details of the work | date |
|----|------------------------|------------|
| 00 | Newly created document | 2021. 6. 3 |
| | | |
| | | |