



**INSTALLATION
INSTRUCTIONS**

PART NUMBER: E231SXA100

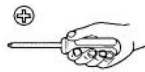
DESCRIPTION: HOOD DEFLECTOR

VEHICLE DESCRIPTION: SUBARU TRIBECA

A 1x	B 2x	C 6x	D 6x		
E 4x	F 1x	G 6x	H 6x	I 10x	J 3x
K 2x	L 2x	M 2x			

Tools Required

Phillips head screwdriver



Pencil or non-permanent marker



NO POWER TOOLS

Meaning of Characters:

:Remove

:Install

:Disconnect

:Connect

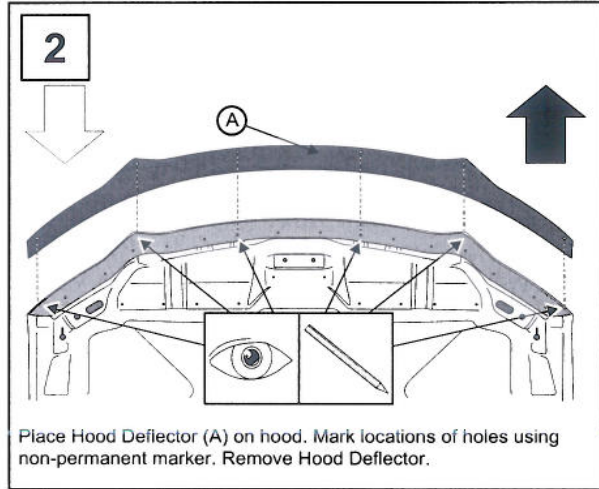
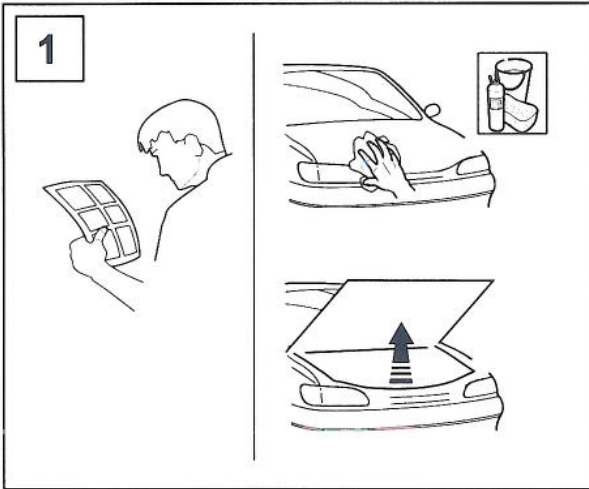
:Location of Clips or Screws

T :Tightening Torque

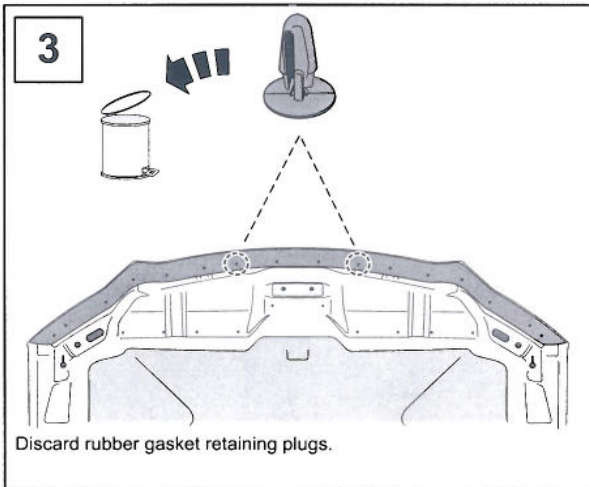
:Loosen

:Discard

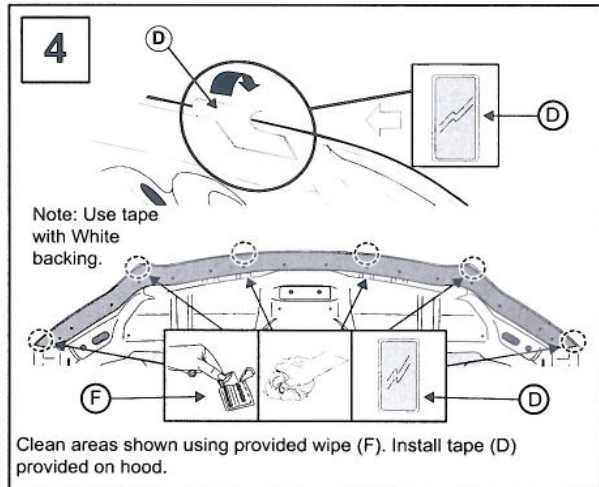
:Re - use



Place Hood Deflector (A) on hood. Mark locations of holes using non-permanent marker. Remove Hood Deflector.

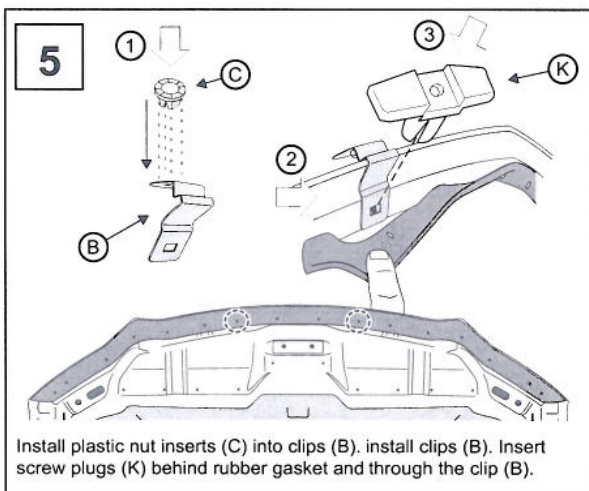


Discard rubber gasket retaining plugs.

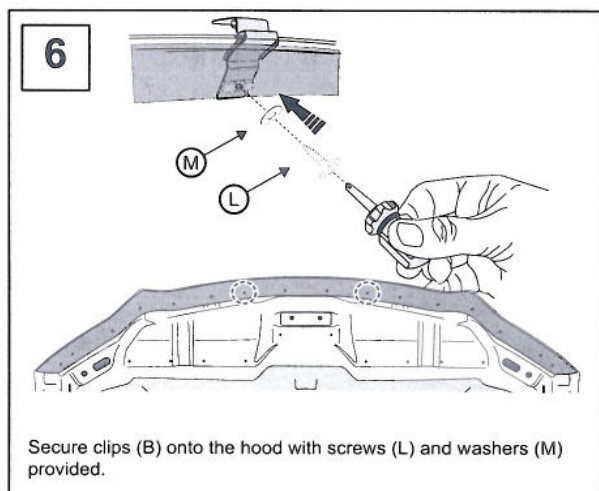


Note: Use tape with White backing.

Clean areas shown using provided wipe (F). Install tape (D) provided on hood.



Install plastic nut inserts (C) into clips (B). Install clips (B). Insert screw plugs (K) behind rubber gasket and through the clip (B).



Secure clips (B) onto the hood with screws (L) and washers (M) provided.

7

Install plastic nut inserts (C) into clips (E). Install clips (E) on hood and over the tape (D).

8

Secure clips (E), (B) to Hood Deflector with screws (G) and washers (H) provided.

9

Note: Use tape with Yellow backing.

Note the areas underneath the Hood Deflector directly underneath the bumpers. Clean these areas with wipe (F) provided. Install tape (I) underneath bumpers locations, as shown.

10

- PLACE INSTRUCTIONS IN GLOVE BOX.
- PERIODICALLY CHECK BUMPONS AND TAPE.

DO NOT USE solvent based cleaners on Hood Deflector.
USE soap and water only to clean Hood Deflector.

DO NOT SLAM HOOD.