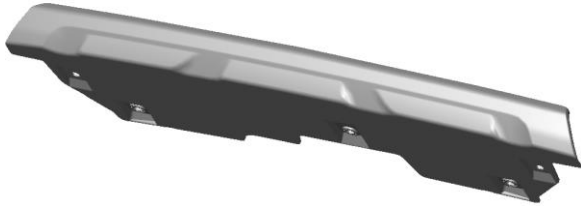


KIT CONTENTS:

OPTIONAL ITEMS: Reuse existing parts

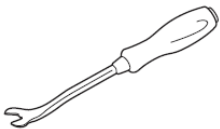
 4x Clip
909130067

 2x Clip
909140062

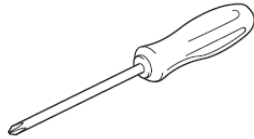
 9x Clip
909140007

TOOLS REQUIRED:

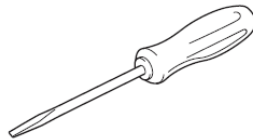
Clip Remover



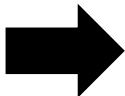
Phillips-head Screwdriver



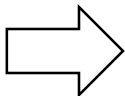
Flathead Screwdriver



Soap


MEANING OF CHARACTERS:


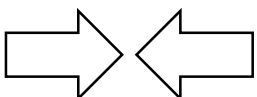
:Remove



:Install



:Disconnect

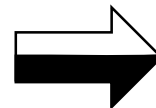


:Connect


 :Location of Clip
or Screw

T

:Tightening Torque



:Loosen

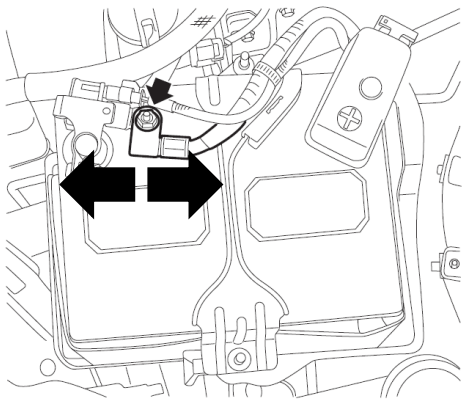


:Discard



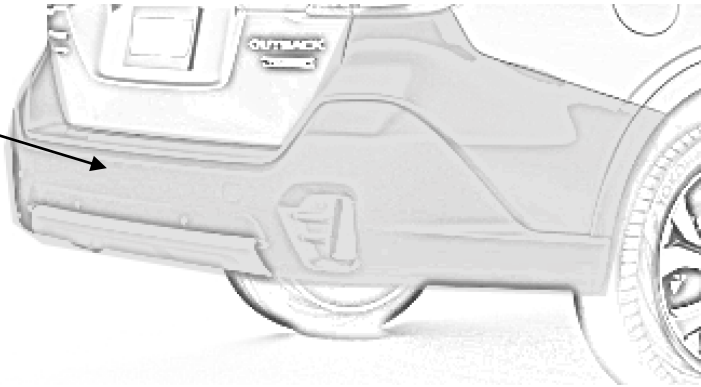
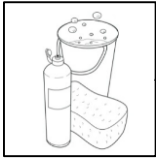
:Reuse

1

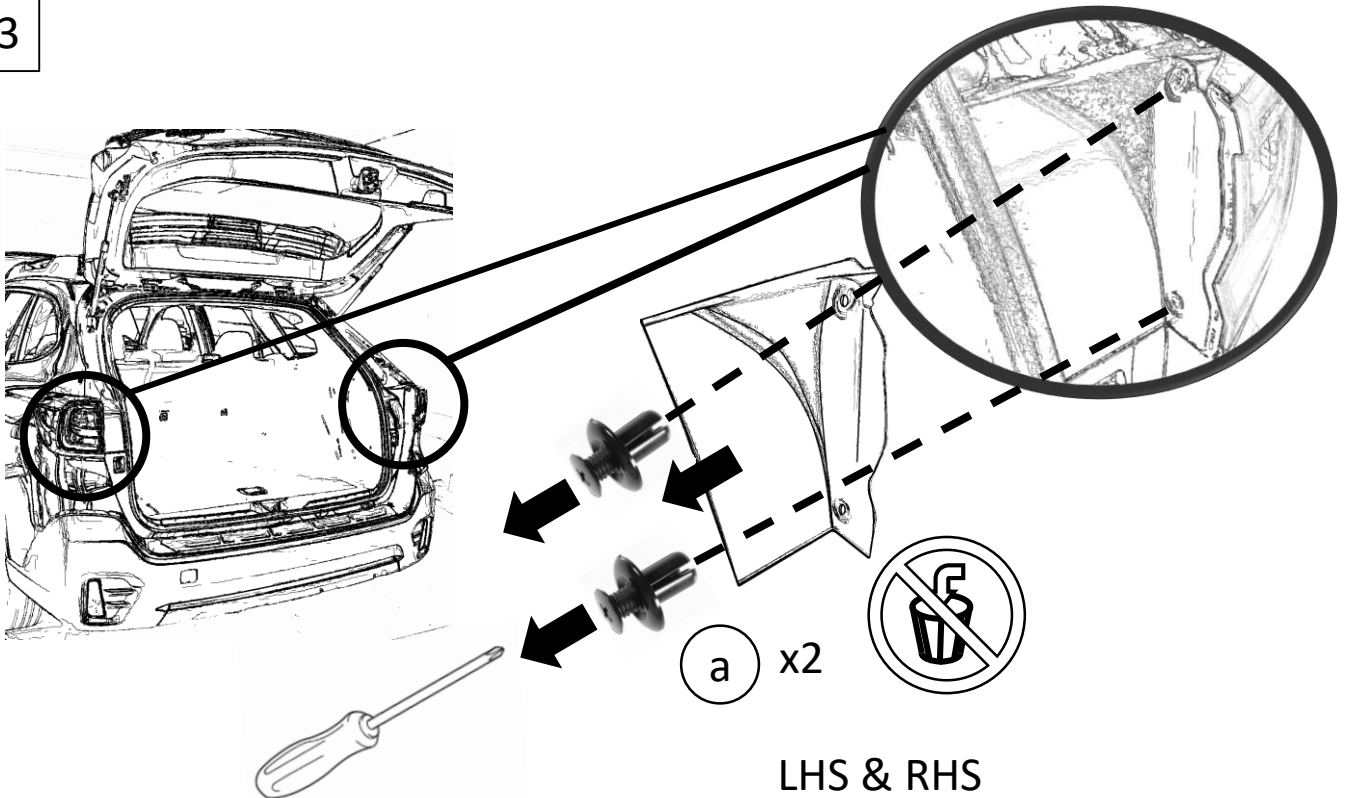


Disconnect the ground cable from battery.

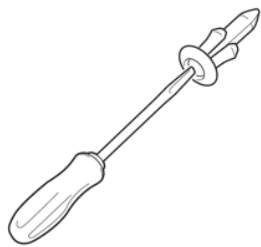
2



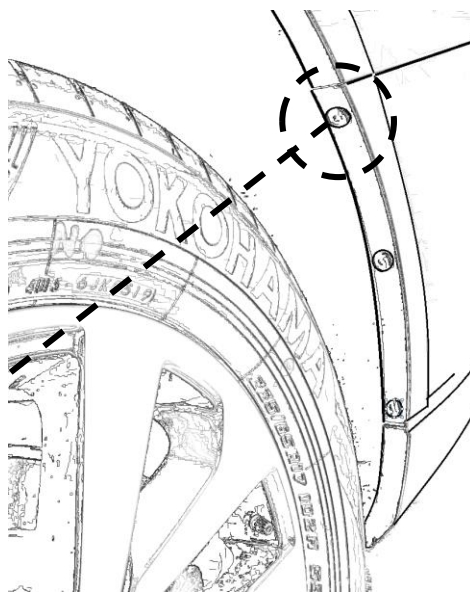
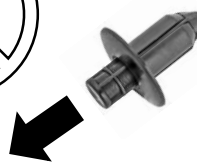
3



4

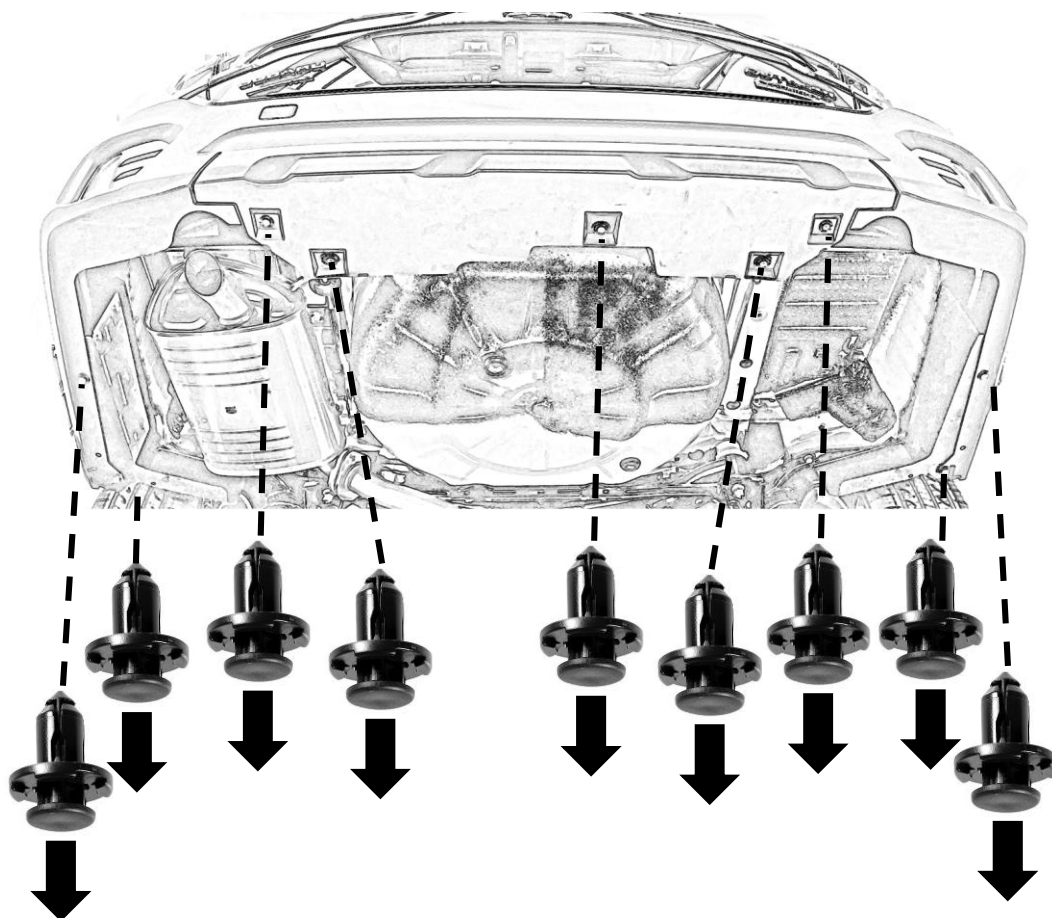


b x1



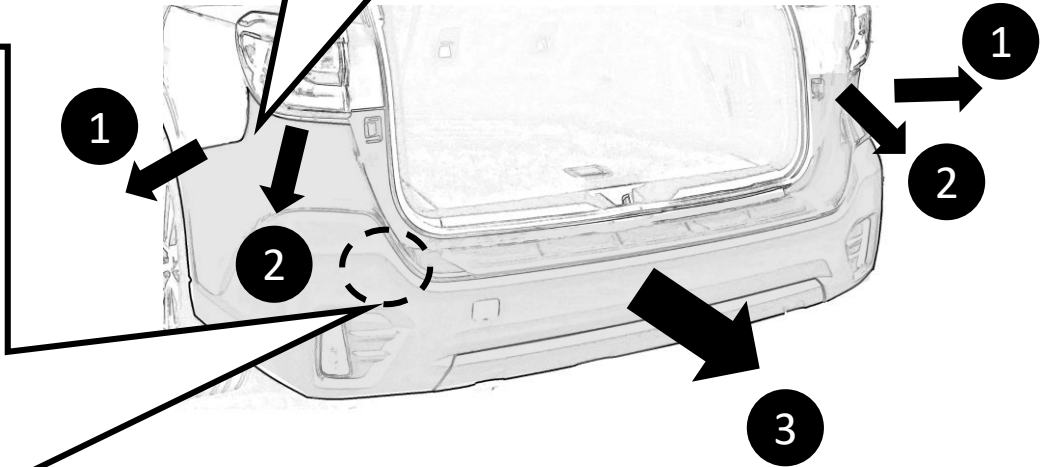
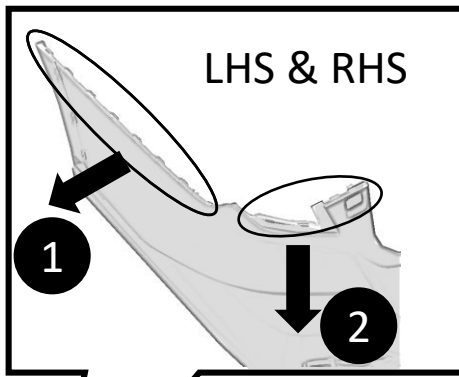
LHS & RHS

5

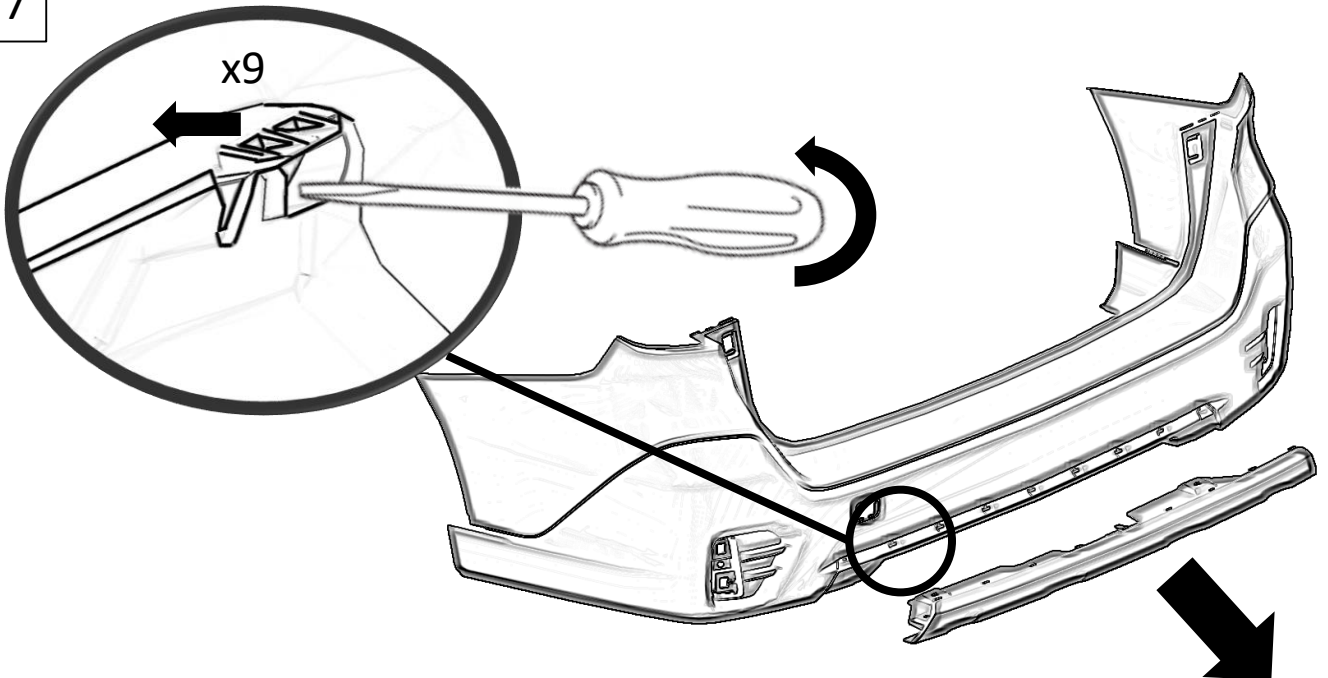


6

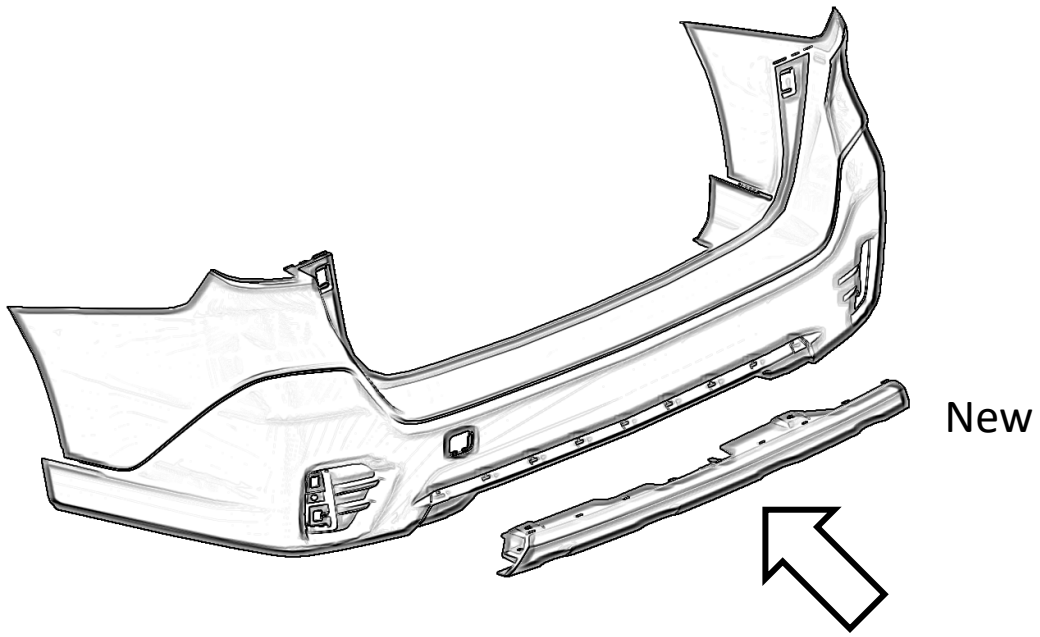
Remove Rear Bumper



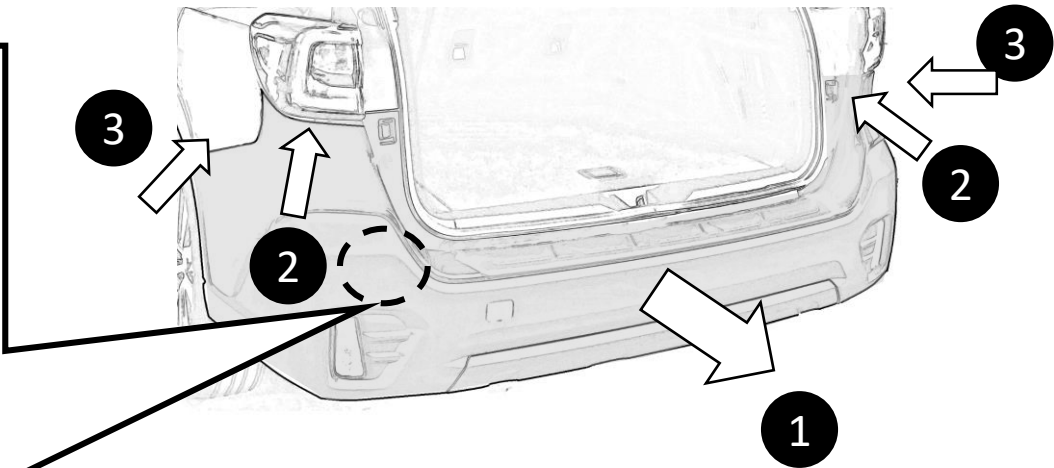
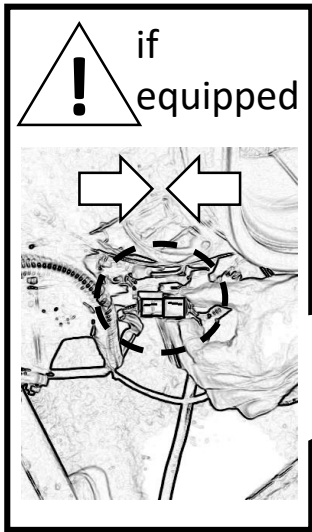
7



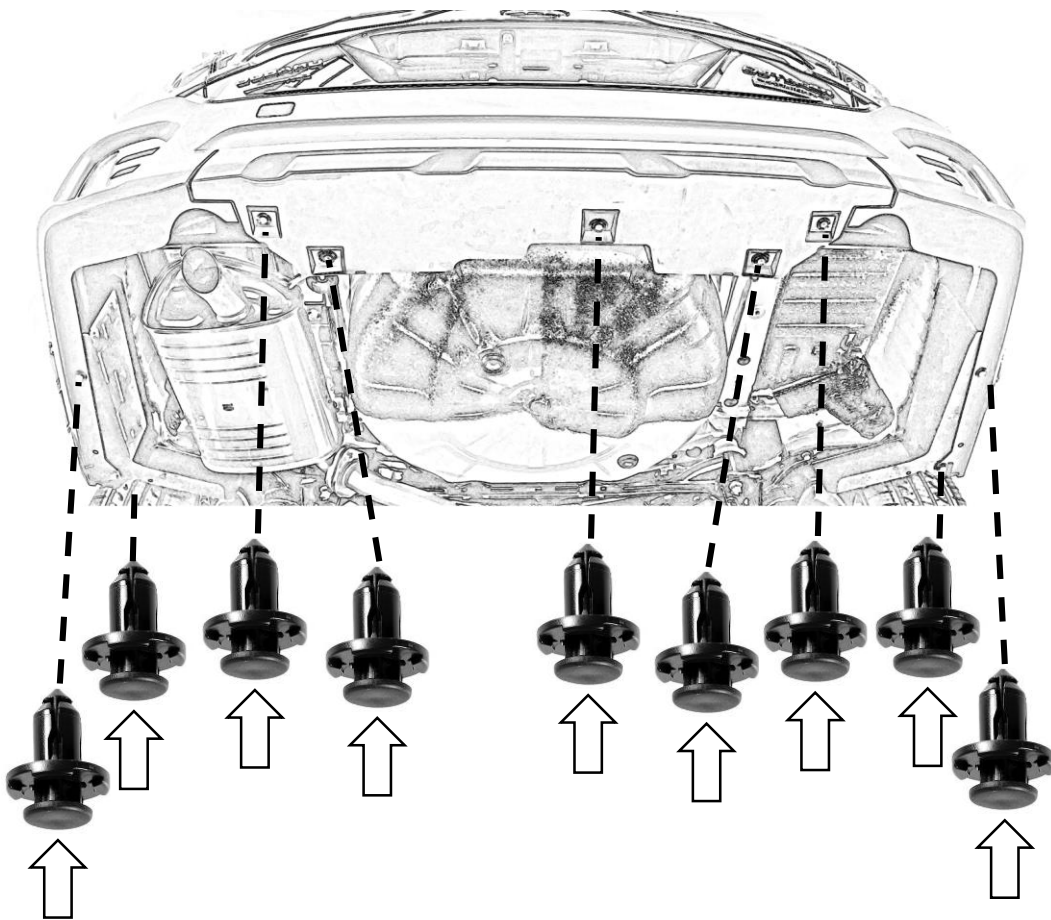
8



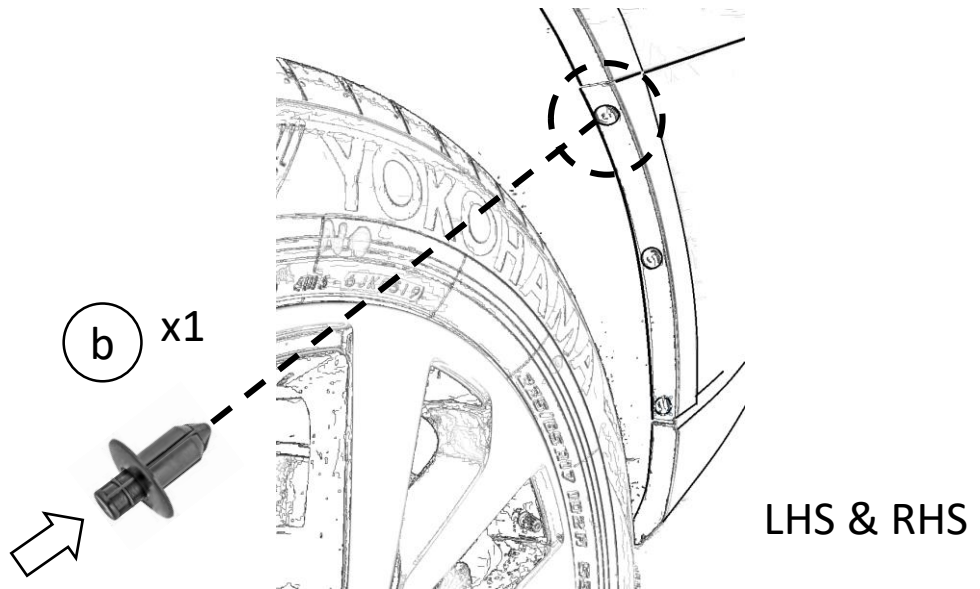
9 Install Rear Bumper



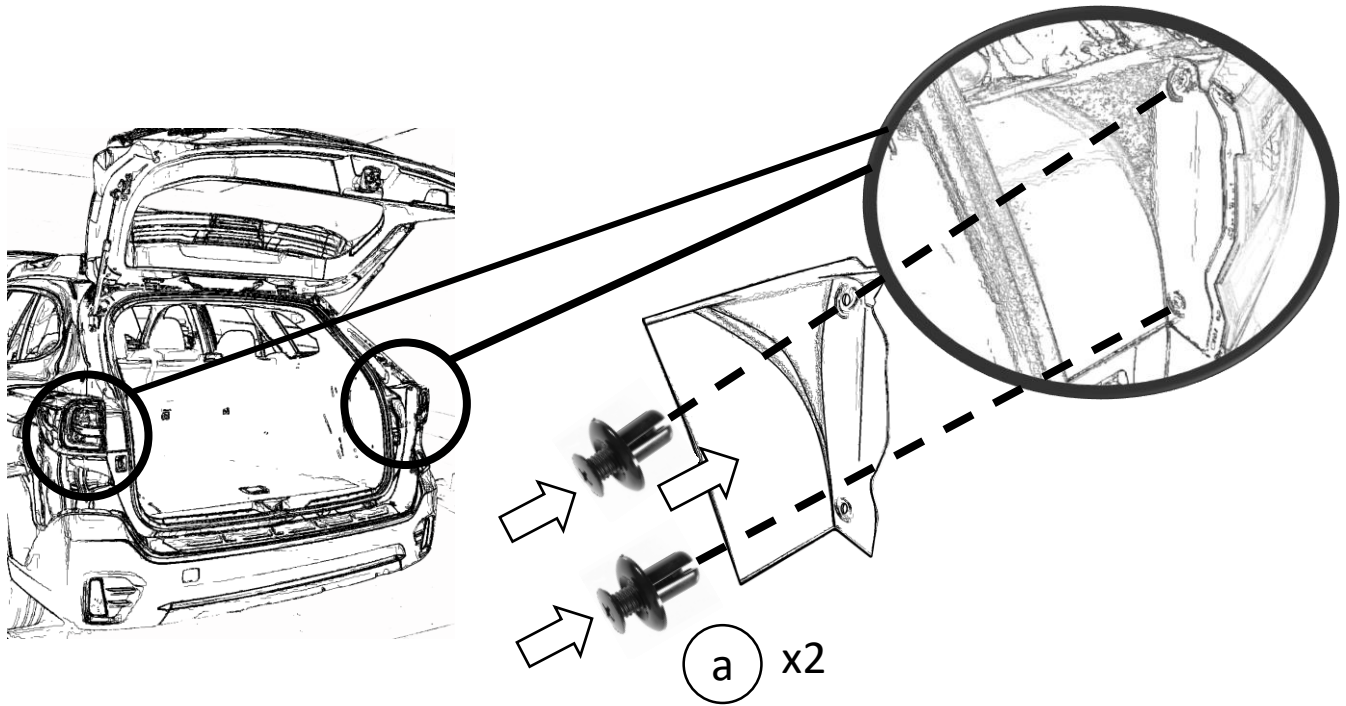
10



11

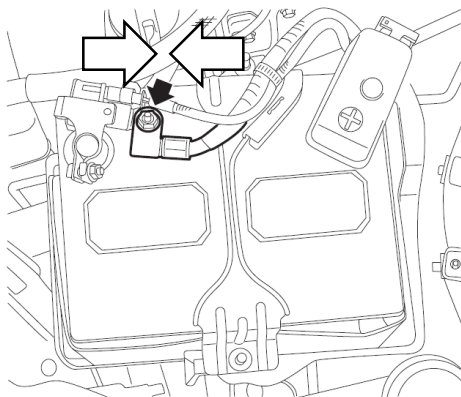


12



LHS & RHS

13



Connect the ground cable from battery.