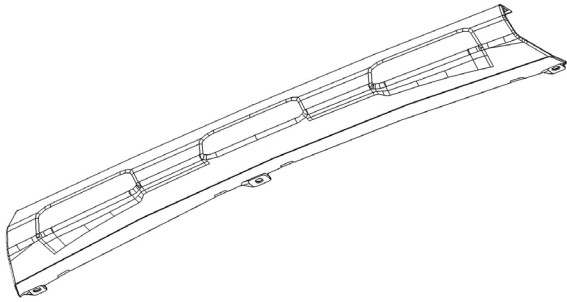


**KIT CONTENTS:**

**OPTIONAL ITEMS:**

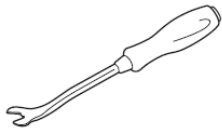
You may be able to reuse existing parts


 1x Clip  
90914007

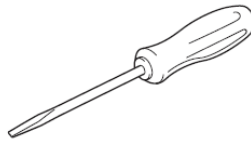
 2x Clip  
909140063

**TOOLS REQUIRED:**

Clip Remover

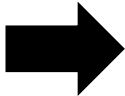


Flathead Screwdriver

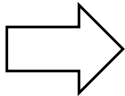


or

Soap


**MEANING OF CHARACTERS:**


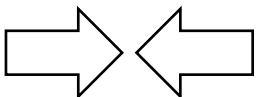
:Remove



:Install



:Disconnect

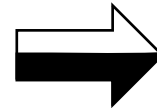


:Connect


 :Location of Clip  
or Screw

**T**

:Tightening Torque



:Loosen

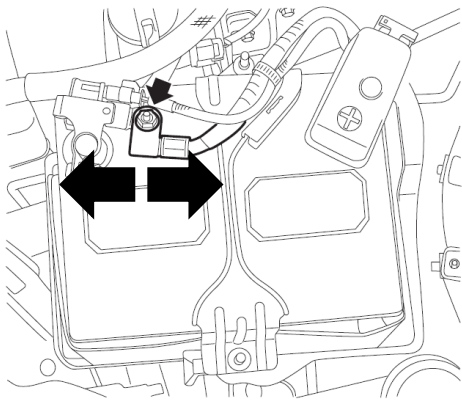


:Discard



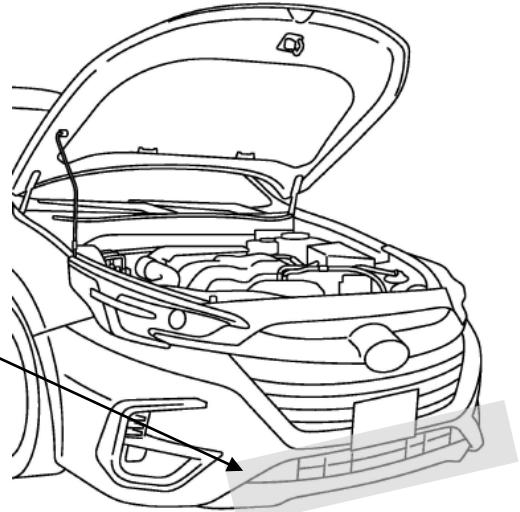
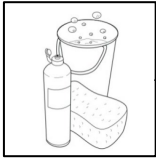
:Reuse

1

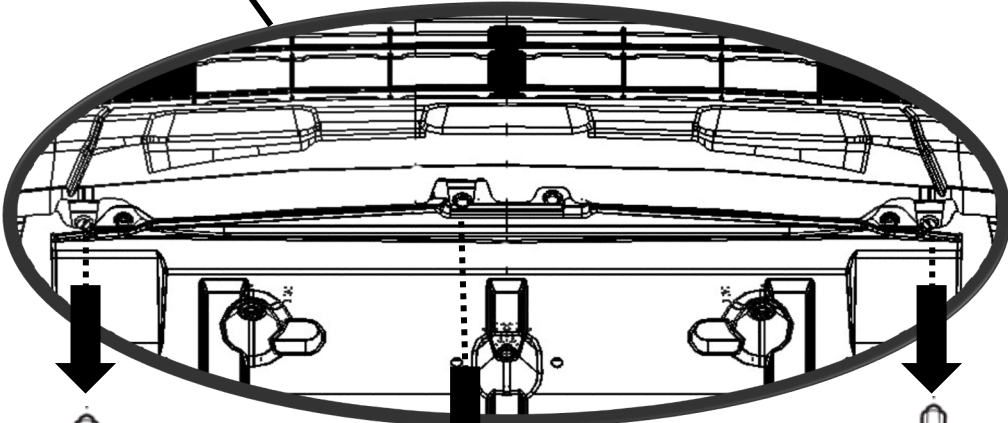
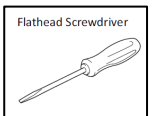
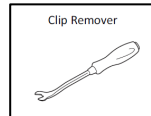
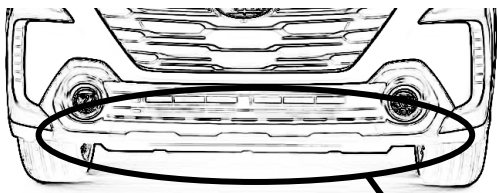


Disconnect the ground cable from battery.

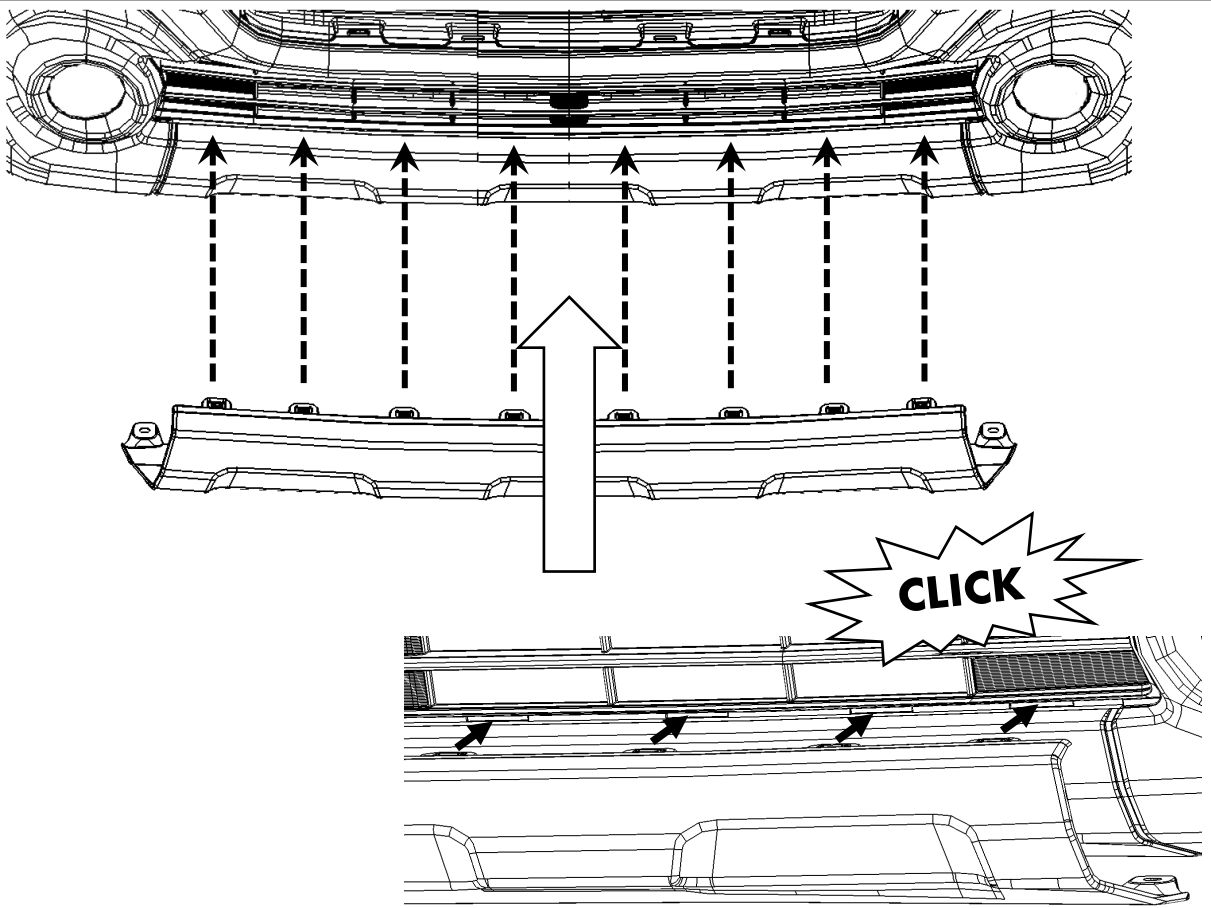
2



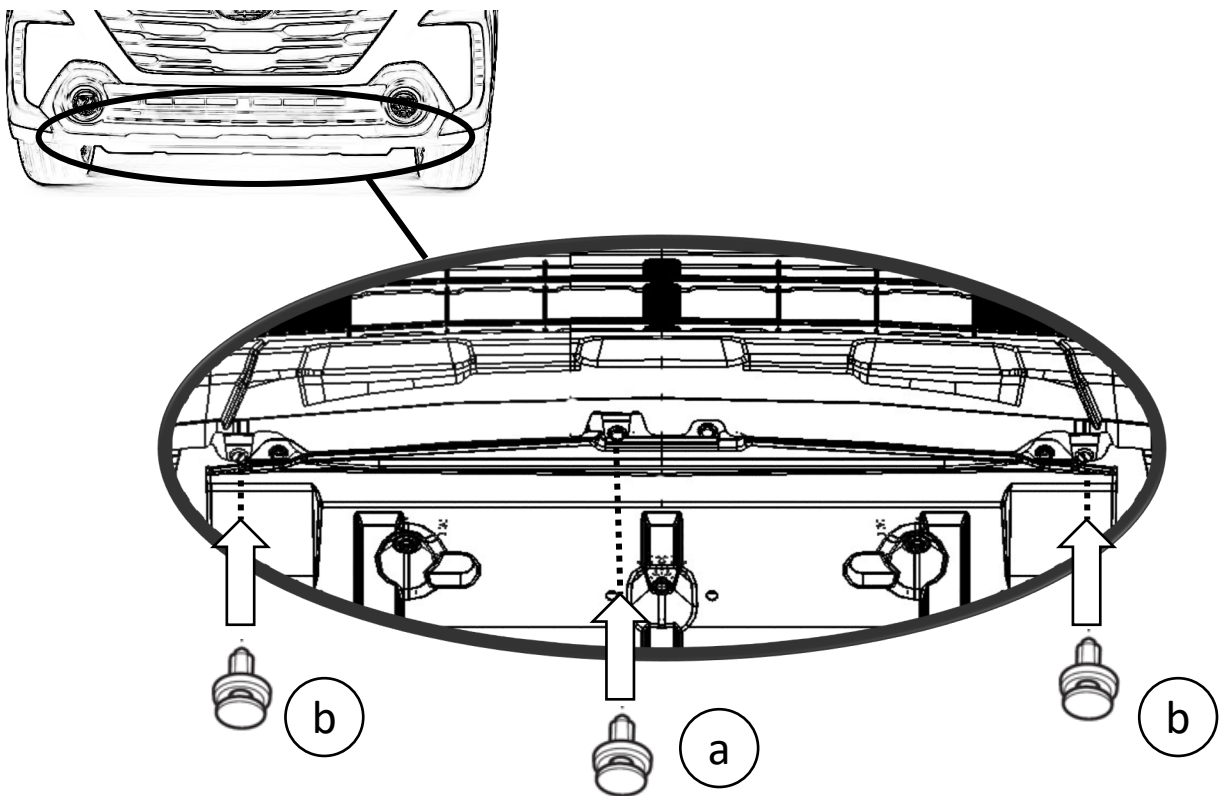
3

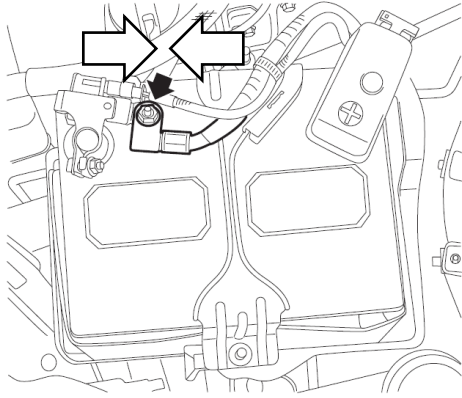


4



5





Connect the ground cable from battery.